

# R113 PT, R116 PT Swivel Gearbox (MD #259661, MD #259660) INSTALLATION INSTRUCTIONS

This kit is used to instruct the installation and run-up procedure for lubrication of the swivel gearboxes on the R1 Series Rotary Disc Pull-Types.

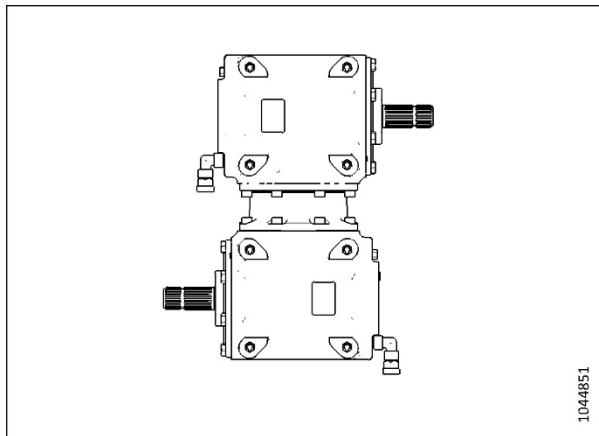
**NOTE:** Keep your MacDon publications up-to-date. The most current version of this instruction can be downloaded from our Dealer-only site (<https://portal.macdon.com>) (login required).

## The approximate time to installing and running up the gearbox:

The approximate time for removal and installation for this kit is 4-5 hours.

## Parts List

**NOTE:** This kit contains a gearbox (MD #NSS).



## Installation Instructions

To install and lubricate the swivel gearbox, follow these steps:



### CAUTION

**To avoid bodily injury or death from unexpected startup of machine, always stop engine and remove key from ignition before leaving operator's seat for any reason.**

1. Install the new swivel gearbox, for instructions refer to the machine's technical manual.
2. Attach the rotary disc pull-type to the tractor. For instructions, refer to the pull-type's operator's manual.
3. Run-up the pull-type to a PTO input speed of 1000 rpm gradually over 30 seconds.

**IMPORTANT:** This run-up provides proper lubrication to internal bearings of the gearbox. Do not run machine at slow speed for extended period before this run-up is complete.

4. Maintain 1000 rpm for at least 5 minutes.
5. Shut down the engine and remove the key from the ignition.