

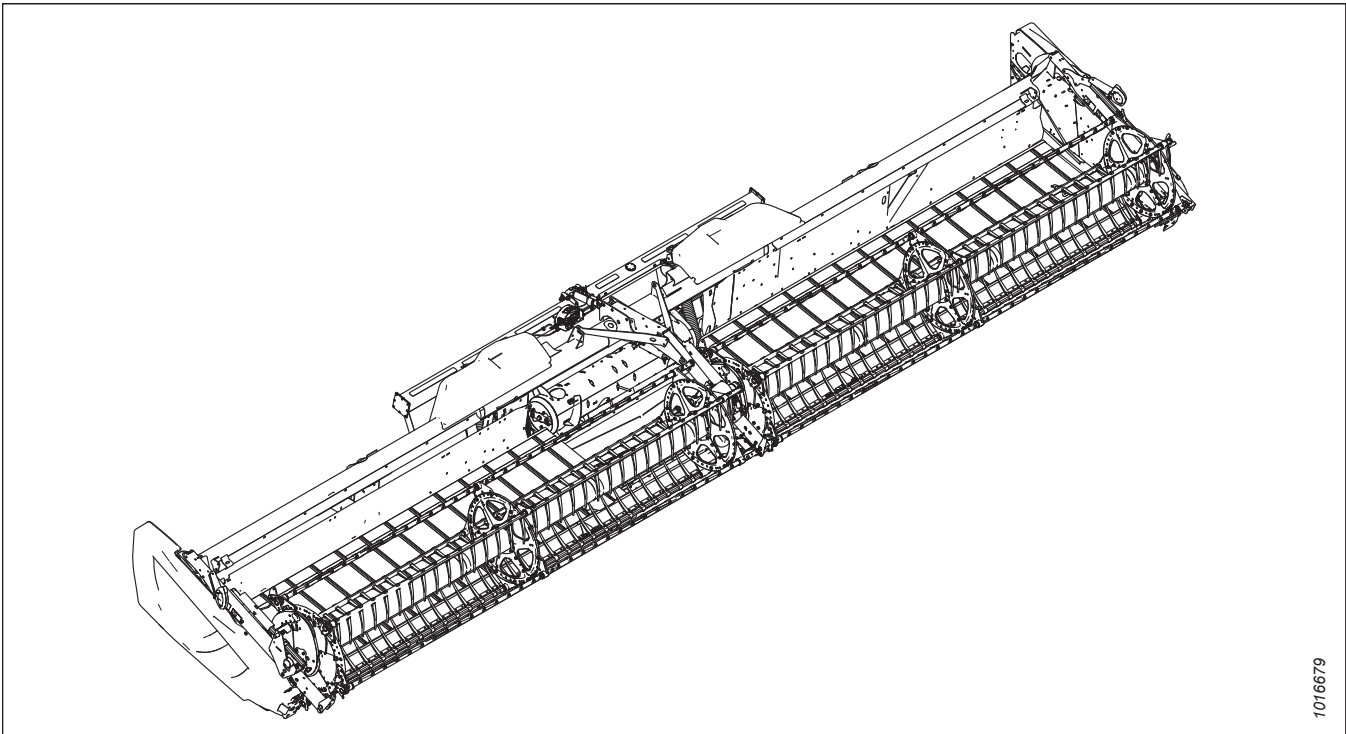
# FD1 Series FlexDraper® Header for Combines with FM100 Float Module

Parts Catalog  
215821 Revision B  
Original Instruction

*Featuring MacDon FLEX-FLOAT Technology®*

*The Harvesting Specialists.*

## FD1 Series FlexDraper® Header for Combines and FM100 Float Module



Published: April 2024

### NOTE:

Keep your MacDon publications up-to-date. The most current version can be downloaded from our website ([www.macdon.com](http://www.macdon.com)) or from our Dealer-only site (<https://portal.macdon.com>) (login required).

This document is available in Czech, English, French, Polish, Portuguese, Russian, Spanish, and Ukrainian versions. The most current version can be downloaded from our MacDon International website ([www.macdon.com/world](http://www.macdon.com/world)) or from our Dealer-only site (<https://portal.macdon.com>) (login required).

© 2024 MacDon Industries, Ltd.

The information in this publication is based on the information available and in effect at the time of printing. MacDon Industries, Ltd. makes no representation or warranty of any kind, whether expressed or implied, with respect to the information in this publication. MacDon Industries, Ltd. reserves the right to make changes at any time without notice.

## Introduction

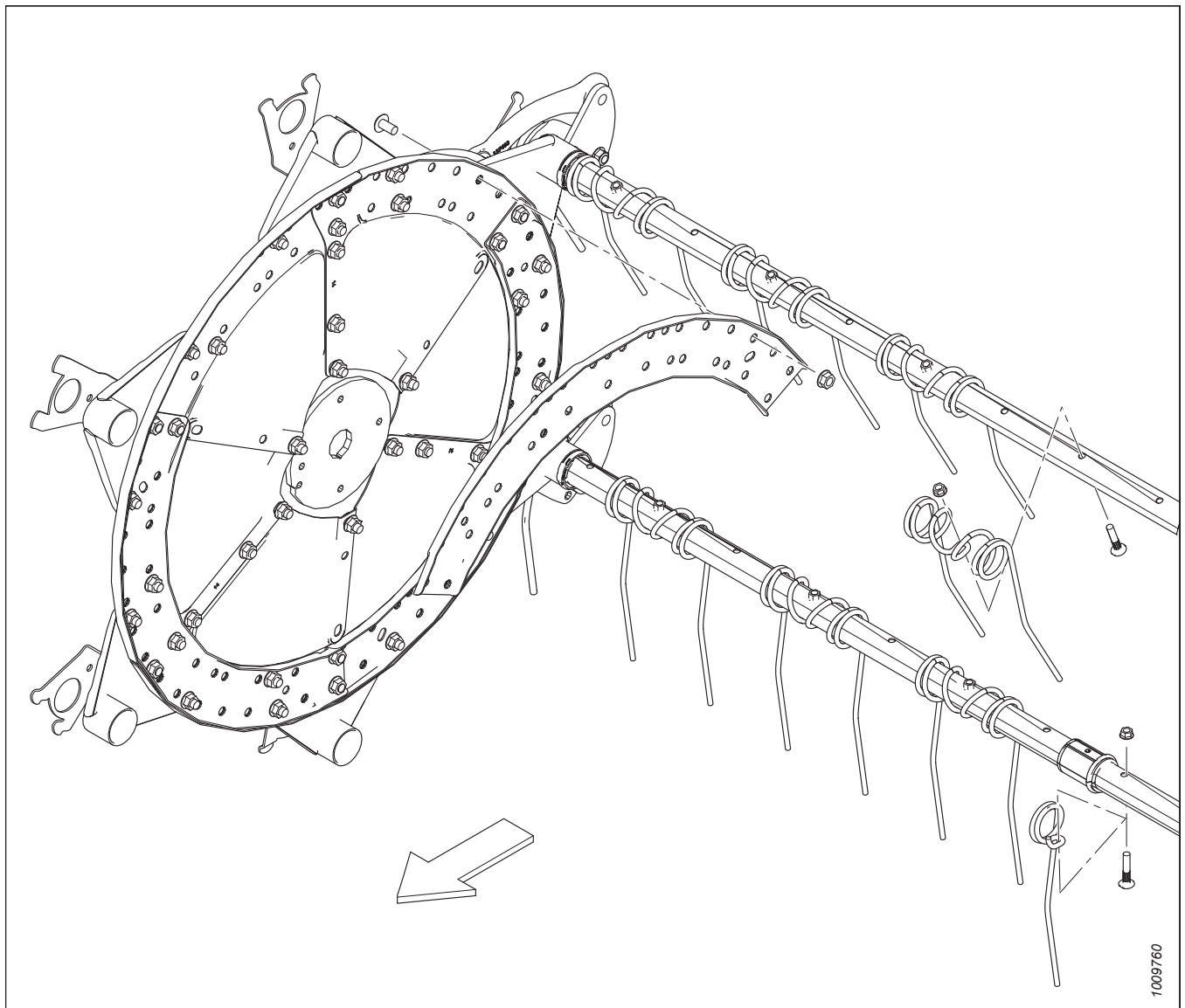
This Parts Catalog lists all the replacement parts that can be ordered for a MacDon FD1 Series FlexDraper® Combine Header (Sections *1 Header Frame, Dividers, and Shields, page 1–86 (Option) Vertical Knife Assembly – Service Parts, page 253*) and a FM100 Float Module (Sections *87 Float Module Frame and Components, page 255–165 (Option) Stripper Bars, page 457*).

When ordering, be sure the complete and proper part number is given. Some parts vary with header size; be sure you are ordering the correct part number for your unit.

**Bold text is used to indicate updates made at the current revision level.** With each new revision of the catalog, previous revisions are returned to regular text.

Electrical connectors used on MacDon products are available for sale but not listed in this catalog. For the list of available connectors, refer to the Electrical Connectors Parts Catalog (MD #169641).

In this catalog, right and left are determined from the operator's seated position in the combine. An arrow is sometimes used in illustrations to indicate forward position.



## Abbreviations

A/R – as required (quantity varies)	ASSY – assembly	BHRN – button head rib neck
BV – ball valve	CCW – counterclockwise	CON – conical (spring washer)
CSK – countersink	C/W – complete with	CW – clockwise
DBLE – double	DK – double knife	DR – double reel
DT – distorted thread	FLG – flange	GA – gauge
GR – grade	GS – grass seed	HD – head
HDR – header	HFA – hydraulic fore-aft	HH – hex head
HNBR – hydrogenated nitrile butadiene rubber	HYD – hydraulic	I.D. – inside diameter
IP – internal plus (torx plus)	KP – knife pressure	KR – knife return
LG – long	LH – left hand (determined from Operator's position, facing forward)	LK – lock
MACH – machine	MD – MacDon	MFA – manual fore-aft
MY – model year	NC – national coarse thread	NF – national fine thread
NSS – not sold separately	NT – narrow transport	O.D. – outside diameter
OPT – optional	PO – pilot operated	PT – pull-type (mower conditioner)
RC – roller chain	REF – reference, part number called up elsewhere in catalog	REG – regular
RH – right hand (determined from Operator's position, facing forward)	RHSN – round head, square neck or square neck carriage bolt	RHSSN – round head, short, square neck
RTD – rotating tine drum	SAE – Society of Automotive Engineers (part produced to comply with)	SD – side draper
SER – serrated	SK – single knife	SKT HD – socket head
SMTH – smooth	SMV – slow moving vehicle	SOCK – socket
SP – self-propelled (windrower) header	SPCL – special	SPH – spherical
SPI – serrations per inch (knife Sections)	SR – single reel	STL – steel (stainless)
STR – standard	STVR – Stover	TFL – thread full length
THD – thread	TR – triple reel	UCA – upper cross auger
UDK – untimed double knife	UNC – unified coarse thread	UNEF – unified extra fine thread
UNF – unified fine thread	UNS – unified special thread series	VK – vertical knife
WF – wide frame	ZP – zinc plated	

## Serial Number Breaks

The side of the serial number on which the dash (–) appears determines whether the part is used "up to" or "after" the serial number given.

**Example:**

- –451189 Used on machines up to and including serial number 451189
- 451190– Used on machines including and after serial number 451190

## Summary of Changes – FD1 Series and FM100 (215821 Rev. B)

This list covers changes made since the last revision (215821 Rev. A).

Section	Summary of Change	Internal Use Only
<i>1 Header Frame, Dividers, and Shields, page 1</i>	<ul style="list-style-type: none"> <li>Removed 30–45 ft. description from 294671 and 294681. Also applicable to 25 ft. headers.</li> <li>Added footnote that 294671 and 294681 are also applicable to FD125.</li> </ul>	Parts
<i>2 Header Frame – Endshields, page 5</i>	Removed Torx socket 164009 from the list.	ECN 62840
<i>4 Balance Linkage, page 9</i>	Switched callouts for 102636 and 123517.	Engineering
<i>24 Pick-Up Reel – Single-Reel Headers (FD125), page 65</i>	Added note.	Technical Publication
<i>25 Pick-Up Reel – Double-Reel Headers (FD130, FD135, FD140, and FD145), page 69</i>	Added note and footnote.	Technical Publication
<i>26 Reel Endshield Components, page 77</i>	Added note.	Technical Publication
<i>29 Reel Components – Double Reel, Center Arm, page 87</i>	Added description to hydraulic motor (MD #273078).	Product Support
<i>32 Reel Support Arms and Lift Cylinders – Outer Arms, page 97</i>	Superseded the following: <ul style="list-style-type: none"> <li>reel hazard decal 131393 with 335965</li> <li>outer arm with decals 255282 with 335966</li> <li>outer arm with decals (export only) 255788 with 335967</li> </ul>	ECN 63501
<i>37 Decals and Reflectors, page 113</i>	Superseded reel hazard decal 131393 with 335965. Updated illustration from 1033230 to 1044464.	ECN 63501
<i>46 (Option) Floating Crop Dividers, page 133</i>	Added new section with new illustration 1040682.	Technical Publications
<i>47 (Option) Floating Crop Dividers Adapter Kit, page 137</i>	Added new section and new illustration 1044534.	ECN 62649
<i>53 (Option) Polyethylene Draper Tracks, page 149</i>	Added new section and new illustration 1044602.	ECN 62756
<i>64 (Option) Stubble Lights, page 177</i>	Added DWA extension harness 138744. Updated illustration from 1026466 to 1040733.	ECN 63642
<i>65 (Option) Sunflower Attachment – Base Kit, page 179</i>	Added bolt 21491, nut 50186, and washer 18599. Updated illustration from 1037081 to 1044457 to show changes.	Technical Publication
<i>68 (Option) Tine Tube Reinforcing Kit, page 187</i>	Added note.	Technical Publication
<i>89 Feed Deck – Draper Drive and Rollers, page 259</i>	<ul style="list-style-type: none"> <li>Added note to 347565.</li> <li>Added service kits – LH idler cup kit 368459, RH idler cup kit 368458, and bearing kit 368457.</li> </ul>	Product Support ECN 64334
<i>94 Auger Assembly and Completion, page 271</i>	Added note.	Technical Publication
<i>97 Auger Assembly – Service Parts, page 277</i>	Replaced double row ball bearing 132607 with 337284.	ECN 65197

<b>Section</b>	<b>Summary of Change</b>	<b>Internal Use Only</b>
<i>99 Drives, page 287</i>	Replaced bolt 21491 with 18723.	UECN 31485 ECN 63264
<i>101 Pump Assembly – Bosch/Rexroth, page 293</i>	Superseded pump tail support bracket 295242 with 326286.	ECN 63389
<i>102 Pump Assembly – Parker Hannifin (2022 Only), page 297</i>	Added 45° elbow fitting 136155. Updated illustration from 1038040 to 1040745.	ECN 63344
<i>105 Draper Drive Pump Service Kit, page 307</i>	Replaced O-ring 294832 with 320415 and 320417. Updated illustration from 1038342 to 1038774.	ECN 63049
<i>111 Hydraulics – Drive Manifold Assembly, page 325</i>	Replaced elbow fitting 136458 with straight fitting 135786.	ECN 62734
<i>125 Case IH and New Holland CR/CX – Float Module Completion, page 361</i>	Superseded CNH transition frame 279493 with 347300. Updated illustration from 1017190 to 1040715.	ECN 62348
<i>133 CLAAS Lexion 500/700 Series – Float Module Completion, page 381</i>	Superseded shaft 347675 and lever 347569 with shaft 133138 and lever 304469. Updated illustration from 1038090 to 1040746.	ECN 63222
<i>135 CLAAS Lexion 500/700 Series – Electrical Completion, page 387</i>	Superseded CLAAS coupler harness 276630 with 323936.	ECN 63909
<ul style="list-style-type: none"> <li>• <i>138 John Deere 60/70 S/T Series – Float Module Completion, page 393</i></li> <li>• <i>154 John Deere Conversion Kits, page 431</i></li> </ul>	Superseded left anchor 245760 and right anchor 245761 with 347179 and 347180.	ECN 63248
<i>140 John Deere 60/70 S/T Series – Hydraulic Completion, page 397</i>	Added M10 hex head screw 320392.	Parts
<i>143 Versatile – Float Module Completion, page 405</i>	Superseded lever 347569 with lever 304669; added pins 13125 and 19809. Added footnote to service-only pin 113561 for clarity. Updated illustration from 1038100 to 1040748.	ECN 63222
<i>153 AGCO IDEAL™ Filler Kit, page 429</i>	Added new section and new illustration 1044500.	ECN 62517
<i>163 (Option) Hillside Extension, page 451</i>	Superseded hydraulic reservoir fill extension kit B6057 and 312824 with B7542 and 284975. Gasket NSS replaced with oil fill gaskets 312706. Added hex nut 136635.	ECN 64693
<i>164 (Option) In-Cab Side Draper Speed Control Kits, page 453</i>	Added note.	Technical Publication
<i>166 (Option) Tilt Harness Kit, page 459</i>	Added 304111, 136886, and 152668. Updated illustration from 1037281 to 1040811.	ECN 63888
<i>166 (Option) Tilt Harness Kit, page 459</i>	Added note.	Parts





TABLE OF CONTENTS

Introduction ..... i  
Abbreviations..... ii  
Serial Number Breaks ..... iii  
Summary of Changes – FD1 Series and FM100 (215821 Rev. B) ..... iv

**1 Header Frame, Dividers, and Shields..... 1**  
**2 Header Frame – Endshields ..... 5**  
**3 Flex Frame Hinges and Top-Link..... 7**  
**4 Balance Linkage..... 9**  
**5 Guards, Hold-Downs, and Wearplates – Single Knife, Right End ..... 13**  
**6 Guards, Hold-Downs, and Wearplates – Single Knife, Middle and Left End ..... 15**  
**7 Guards, Hold-Downs, and Wearplates – Double Knife, Right End ..... 17**  
**8 Guards, Hold-Downs, and Wearplates – Double Knife, Middle and Left End..... 19**  
**9 Knife Components and Knifehead ..... 21**  
**10 Segmented Knives – Single-Knife Headers, Fine-Tooth Sections ..... 25**  
**11 Segmented Knives – Single-Knife Headers, Coarse-Tooth Sections..... 27**  
**12 Segmented Knives – Single-Knife Headers, Ultra Coarse-Tooth Sections ..... 31**  
**13 Segmented Knives – Double-Knife Headers, Fine-Tooth Sections..... 33**  
**14 Segmented Knives – Double-Knife Headers, Coarse-Tooth Sections ..... 37**  
**15 Segmented Knives – Double-Knife Headers, Ultra Coarse-Tooth Sections ..... 41**  
**16 Knife Drive ..... 43**  
**17 Knife Drive Hydraulics – Single Knife (FD125, FD130, and FD135) ..... 47**  
**18 Knife Drive Hydraulics – Single Knife (FD140) ..... 49**  
**19 Knife Drive Hydraulics – Double Knife (FD140 and FD145)..... 51**  
**20 Knife Drive Box ..... 53**  
**21 Draper Carrier Deck and Tensioner..... 55**  
**22 Draper Deflectors ..... 61**  
**23 Draper Drive – Manual Deck Shift ..... 63**  
**24 Pick-Up Reel – Single-Reel Headers (FD125)..... 65**  
**25 Pick-Up Reel – Double-Reel Headers (FD130, FD135, FD140, and FD145)..... 69**  
**26 Reel Endshield Components ..... 77**  
**27 Reel Components – Single Reel, Right Arm ..... 79**  
**28 Reel Components – Double Reel, Right Arm ..... 83**  
**29 Reel Components – Double Reel, Center Arm ..... 87**  
**30 Reel Components – Single/Double Reel, Left Arm..... 93**  
**31 Reel Support Arms and Lift Cylinders – Center Arm..... 95**  
**32 Reel Support Arms and Lift Cylinders – Outer Arms ..... 97**  
**33 Reel Drive Hydraulics – Lift and Fore-Aft – Single Reel (FD125) ..... 101**  
**34 Reel Drive Hydraulics – Lift and Fore-Aft – Double Reel (FD130, FD135, FD140, and FD145) ..... 105**  
**35 Electrical Components – FD1 Series ..... 109**  
**36 Skid Shoes – End and Center ..... 111**  
**37 Decals and Reflectors ..... 113**  
**38 Decals – Product Identification ..... 117**  
**39 Decals – French ..... 119**

TABLE OF CONTENTS

40 Decals – Portuguese..... 121

41 Decals – Russian ..... 123

42 Decals – Spanish..... 125

43 (Option) Brace Tube Kits..... 127

44 (Option) Crop Lifters ..... 129

45 (Option) Crop Lifter Rack ..... 131

46 (Option) Floating Crop Dividers..... 133

47 (Option) Floating Crop Dividers Adapter Kit ..... 137

48 (Option) Foot Switch ..... 139

49 (Option) Multi-Crop Rapid Reel Conversion Kit..... 141

50 (Option) Pick-up Reel-End Fingers Kit..... 143

51 (Option) Pointed Guard Kit, Single Knife..... 145

52 (Option) Pointed Guard Kit, Double Knife..... 147

53 (Option) Polyethylene Draper Tracks ..... 149

54 (Option) Reel Arm Extension Kit..... 151

55 (Option) Rice Divider Rods ..... 153

56 (Option) Rock Retarder Kit ..... 155

57 (Option) Short Brace Kit for Center Reel Arm / Divider Latches..... 157

58 (Option) Slow Speed Transport Package – Hitch Electrical..... 159

59 (Option) Slow Speed Transport Package – Transport Hitch..... 163

60 (Option) Slow Speed Transport Package – Wheels and Supports..... 165

61 (Option) Stabilizer Wheels ..... 171

62 (Option) Stabilizer Wheels – Secondary..... 173

63 (Option) Stub Guards with Sheet Metal Hold-Downs..... 175

64 (Option) Stubble Lights..... 177

65 (Option) Sunflower Attachment – Base Kit ..... 179

66 (Option) Sunflower Attachment – Pans ..... 183

67 (Option) Sunflower Attachment – Deflectors ..... 185

68 (Option) Tine Tube Reinforcing Kit ..... 187

69 (Option) Upper Cross Auger – Left End, FD125, FD130, FD135, and FD140 (2021 and Prior)..... 189

70 (Option) Upper Cross Auger – Right End, FD125, FD130, FD135, and FD140 (2021 and Prior)..... 193

71 (Option) Upper Cross Auger – Left End, FD145 (2021 and Prior) ..... 197

72 (Option) Upper Cross Auger – Right End, FD145 (2021 and Prior) ..... 201

73 (Option) Upper Cross Auger – Center Support Repair Kit ..... 205

74 (Option) Upper Cross Auger – Left End, FD125, FD130, FD135, and FD140 (2022) ..... 207

75 (Option) Upper Cross Auger – Right End, FD125, FD130, FD135, and FD140 (2022) ..... 211

76 (Option) Upper Cross Auger – Left End, FD145 (2022)..... 213

77 (Option) Upper Cross Auger – Right End, FD145 (2022)..... 217

78 (Option) Vertical Knife – Standard Reel Arm (2018 and Prior)..... 219

79 (Option) Vertical Knife – Standard Reel Arm, Left End (2019–2021) ..... 225

80 (Option) Vertical Knife – Standard Reel Arm, Right End (2019–2021) ..... 229

81 (Option) Vertical Knife – Standard Reel Arm, Left End (2022) ..... 233

82 (Option) Vertical Knife – Standard Reel Arm, Right End (2022) ..... 237

TABLE OF CONTENTS

---

83	(Option) Vertical Knife – Short Reel Arms .....	243
84	(Option) Vertical Knife Hose Kits – Standard and Short Reel Arms, Single Reel .....	249
85	(Option) Vertical Knife Hose Kits – Standard and Short Reel Arms, Double Reel .....	251
86	(Option) Vertical Knife Assembly – Service Parts .....	253
87	Float Module Frame and Components .....	255
88	Feed Deck – Frame, Front Links, and Pivot Pins .....	257
89	Feed Deck – Draper Drive and Rollers .....	259
90	Feed Deck – Pans and Fillers.....	263
91	Float Module – Attaching Parts.....	265
92	Float Module – Center and Corner Fillers .....	267
93	Float Module – Side Fillers .....	269
94	Auger Assembly and Completion .....	271
95	Auger Assembly and Completion – Configuration .....	273
96	Auger Internal Components .....	275
97	Auger Assembly – Service Parts .....	277
98	Auger Float Linkage .....	285
99	Drives .....	287
100	Pump Assemblies – Identifying Pump .....	291
101	Pump Assembly – Bosch/Rexroth.....	293
102	Pump Assembly – Parker Hannifin (2022 Only).....	297
103	Pump Assembly – Eaton (2022 Only) .....	301
104	Knife Drive Pump Service Kit .....	305
105	Draper Drive Pump Service Kit.....	307
106	Input Driveline and Support .....	309
107	Hydraulics – Frame Components.....	315
108	Hydraulics – Center-Link and Header Tilt / Reel Fore-Aft.....	317
109	Hydraulics – Feed Deck.....	319
110	Hydraulics – Drives and Header Connection.....	321
111	Hydraulics – Drive Manifold Assembly .....	325
112	Drive Manifold Assembly – Service Parts.....	327
113	Selector Valve .....	329
114	Float Linkage and Components .....	331
115	Float Indicator and Auto Header Height Control .....	335
116	Electrical Components – FM100 .....	339
117	Decals – FM100 .....	341
118	AGCO Challenger® / Massey Ferguson® – Float Module Completion.....	343
119	AGCO Gleaner® – Float Module Completion .....	345
120	AGCO Gleaner® – Feed Auger Conversion Parts .....	347
121	AGCO IDEAL™ – Float Module Completion .....	349
122	AGCO Challenger® / Massey Ferguson® and Gleaner® – Hydraulic Completion .....	351
123	AGCO IDEAL™ – Hydraulic Completion.....	355
124	AGCO – Electrical Completion .....	359
125	Case IH and New Holland CR/CX – Float Module Completion .....	361

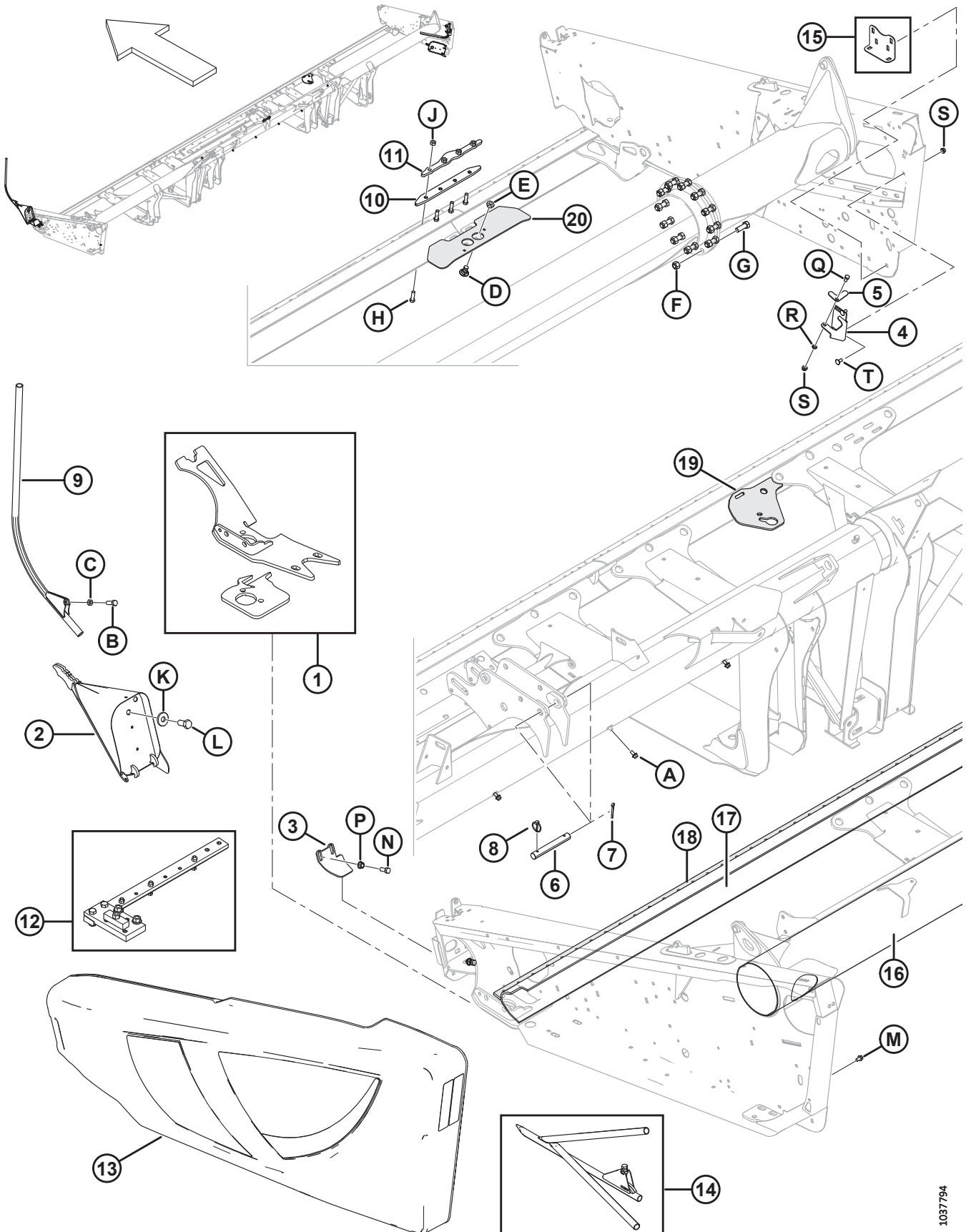
## TABLE OF CONTENTS

---

126	Case IH 2300/2500 Series – Float Module Completion .....	363
127	Case IH and New Holland CR/CX – Hydraulic Completion .....	365
128	Case IH 2300/2500 Series – Hydraulic Completion .....	369
129	Case IH and New Holland CR/CX – Electrical Completion .....	373
130	Case IH 2300/2500 Series – Electrical Completion .....	375
131	New Holland 10 Volt Auto Header Height Control Converter Kit .....	377
132	New Holland CR Fillers Conversion Kit .....	379
133	CLAAS Lexion 500/700 Series – Float Module Completion .....	381
134	CLAAS Lexion 500/700 Series – Hydraulic Completion .....	383
135	CLAAS Lexion 500/700 Series – Electrical Completion .....	387
136	CLAAS Reel Height Resistor Kit.....	389
137	John Deere 50 Series – Float Module Completion .....	391
138	John Deere 60/70 S/T Series – Float Module Completion.....	393
139	John Deere 50 Series – Hydraulic Completion .....	395
140	John Deere 60/70 S/T Series – Hydraulic Completion .....	397
141	John Deere 50 Series – Electrical Completion .....	401
142	John Deere 60/70 S/T Series – Electrical Completion.....	403
143	Versatile – Float Module Completion.....	405
144	Versatile – Hydraulic Completion .....	407
145	Versatile – Electrical Completion.....	411
146	Auger Conversion Kits – Fingers and Flighting .....	413
147	Gear Pump Conversion Kits .....	415
148	Gear Set Conversion Kits.....	417
149	Sprocket and Chain Conversion Kit .....	419
150	AGCO Challenger® / Massey Ferguson® Conversion Kit.....	421
151	AGCO Gleaner® Conversion Kit.....	423
152	AGCO IDEAL™ Conversion Kit .....	425
153	AGCO IDEAL™ Filler Kit.....	429
154	John Deere Conversion Kits .....	431
155	Rostselmash Conversion Kit .....	433
156	Auger Dent Repair Kit.....	437
157	Auger Patch Kit .....	439
158	Reel Height Sensor.....	441
159	Reel Speed Sensors .....	443
160	(Option) Auger Flighting Kits .....	445
161	(Option) Dual Sensor Auto Header Height Control .....	447
162	(Option) FM100 Full Interface Filler – FD1 .....	449
163	(Option) Hillside Extension.....	451
164	(Option) In-Cab Side Draper Speed Control Kits.....	453
165	(Option) Stripper Bars .....	457
166	(Option) Tilt Harness Kit .....	459
	Index .....	462



# 1 Header Frame, Dividers, and Shields

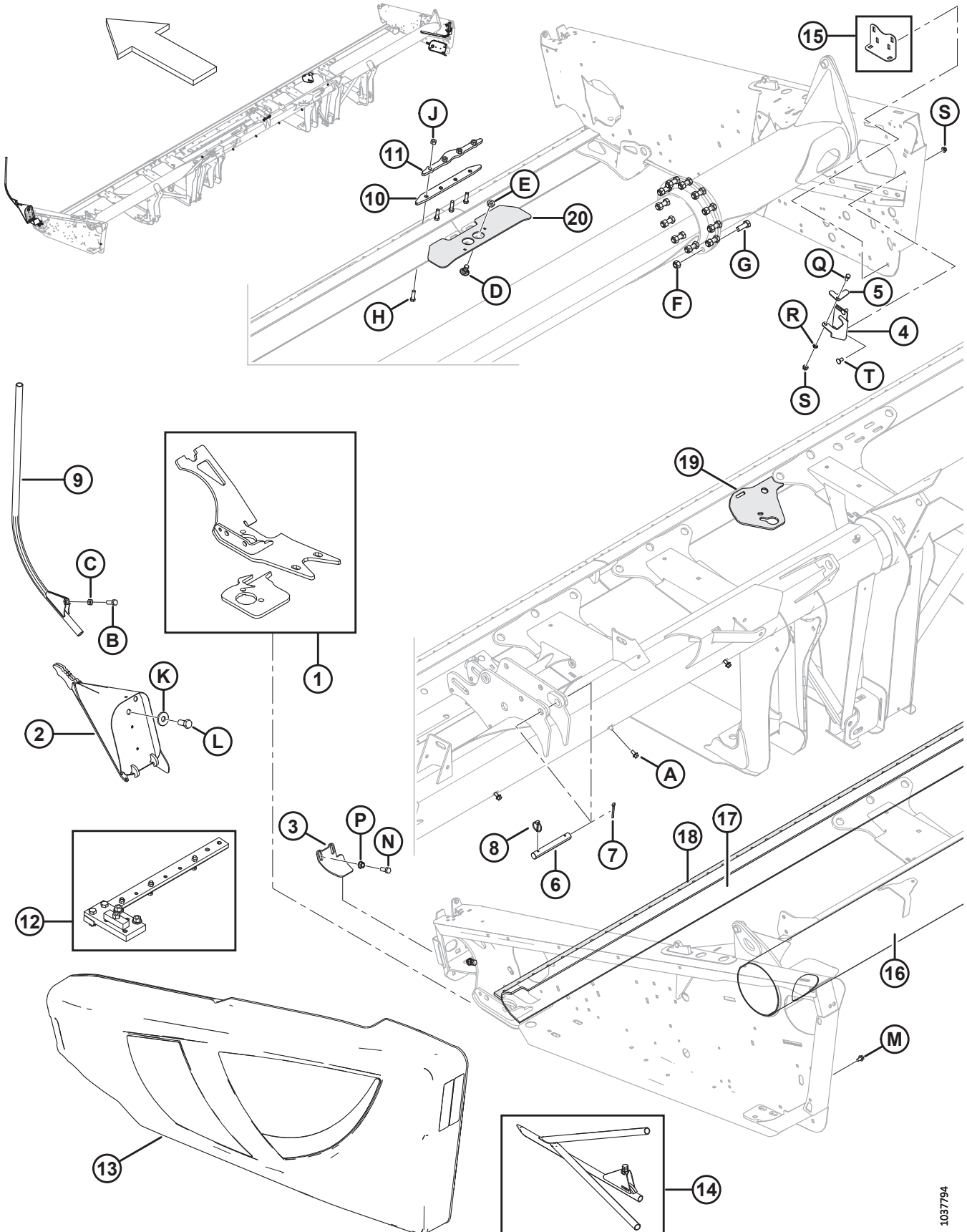


## HEADER FRAME, DIVIDERS, AND SHIELDS

Ref	Part Number	Description	Qty	Serial Number
1	123751	KIT – LH WOBBLE BOX MOUNT	A/R	
	123752	KIT – RH WOBBLE BOX MOUNT	A/R	
2	123660	DIVIDER – LH WELDT	1	
	123661	DIVIDER – RH, WELDT	1	
3	245678	SHIELD – LH, GUARD	1	
	245677	SHIELD – RH, GUARD	1	
4	253499	BRACKET – DIVIDER ROD STORAGE	1	
5	132420	TAB – LOCK, DIVIDER ROD STORAGE	1	
6	125363	PIN	1	
7	18609	PIN – COTTER 1/4 DIA X 2 ZP	1	
8	102264	PIN – LYNCH 3/16 X 1-9/16	1	
9	120127	DIVIDER – TUBE WELDT	2	
10	258150	BAR – CUTTERBAR SPLICE <sup>1</sup>	1	
11	255442	BAR – CUTTERBAR SPLICE <sup>1</sup>	1	
12	174391	JIG ASSY. – WOBBLE BOX MOUNT, 25–45 FT <sup>2</sup>	A/R	
13	REF	ENDSHIELD C/W REFLECTORS <sup>3</sup>		
14	REF	DIVIDER – RICE ROD ASSY <sup>4</sup>		
15	REF	ANGLE – DIVIDER, STORAGE <sup>5</sup>	OPT	
16	294673	KIT – TUBE BACK, REPAIR SECTION, 1500 MM LG	A/R	
17	294671	KIT – CUTTERBAR, REPAIR PIECE, 1300 MM LG <sup>6</sup>	A/R	
	294681	KIT – CUTTERBAR, REPAIR PIECE, 4491 MM LG <sup>6</sup>	A/R	
18	294672	KIT – BAR GUARD, 1530 MM LG	A/R	
19	335752	KIT – SUPPORT BRACKET <sup>7</sup>	A/R	
20	125418	SUPPORT – SPLIT CBAR CONNECTION WELDT (40 FT SPLIT FRAME HDR ONLY)	1	
	253552	SUPPORT – SPLIT CBAR CONNECTION WELDT (45 FT SPLIT FRAME HDR ONLY)	1	
A	21821	BOLT – HH FLG (SER FACE) 3/8 NC X 0.75 GR 5 ZP <sup>8</sup>		
B	18723	BOLT – HH 1/2 NC X 1.5 LG TFL GR 5 ZP		
C	21056	NUT – HEX JAM 1/2-13 UNC GR 5 ZP		
D	103562	BOLT – RHSN 5/8 NC X 1.25 GR 5 ZP		
E	21941	NUT – HEX LOCK JAM (DT) 5/8-11 UNC GR 5 ZP		
F	134438	NUT – HEX LOCK DT 5/8-11 GR 8 ZP		
G	135340	BOLT – HH 5/8 NC X 1.75 LG GR 8 ZP		

1. Split-frame headers only.
2. Required to properly install wobble box mount (MD #123751 or 123752). Comes complete with instructions.
3. Refer to Section [2 Header Frame – Endshields, page 5](#).
4. Refer to Section [55 \(Option\) Rice Divider Rods, page 153](#).
5. Refer to Section [57 \(Option\) Short Brace Kit for Center Reel Arm / Divider Latches, page 157](#).
6. Also applicable to FD125 headers.
7. Kit is used to replace a worn out or broken support bracket. Welding is required.
8. Refer to Section [23 Draper Drive – Manual Deck Shift, page 63](#).

# HEADER FRAME, DIVIDERS, AND SHIELDS

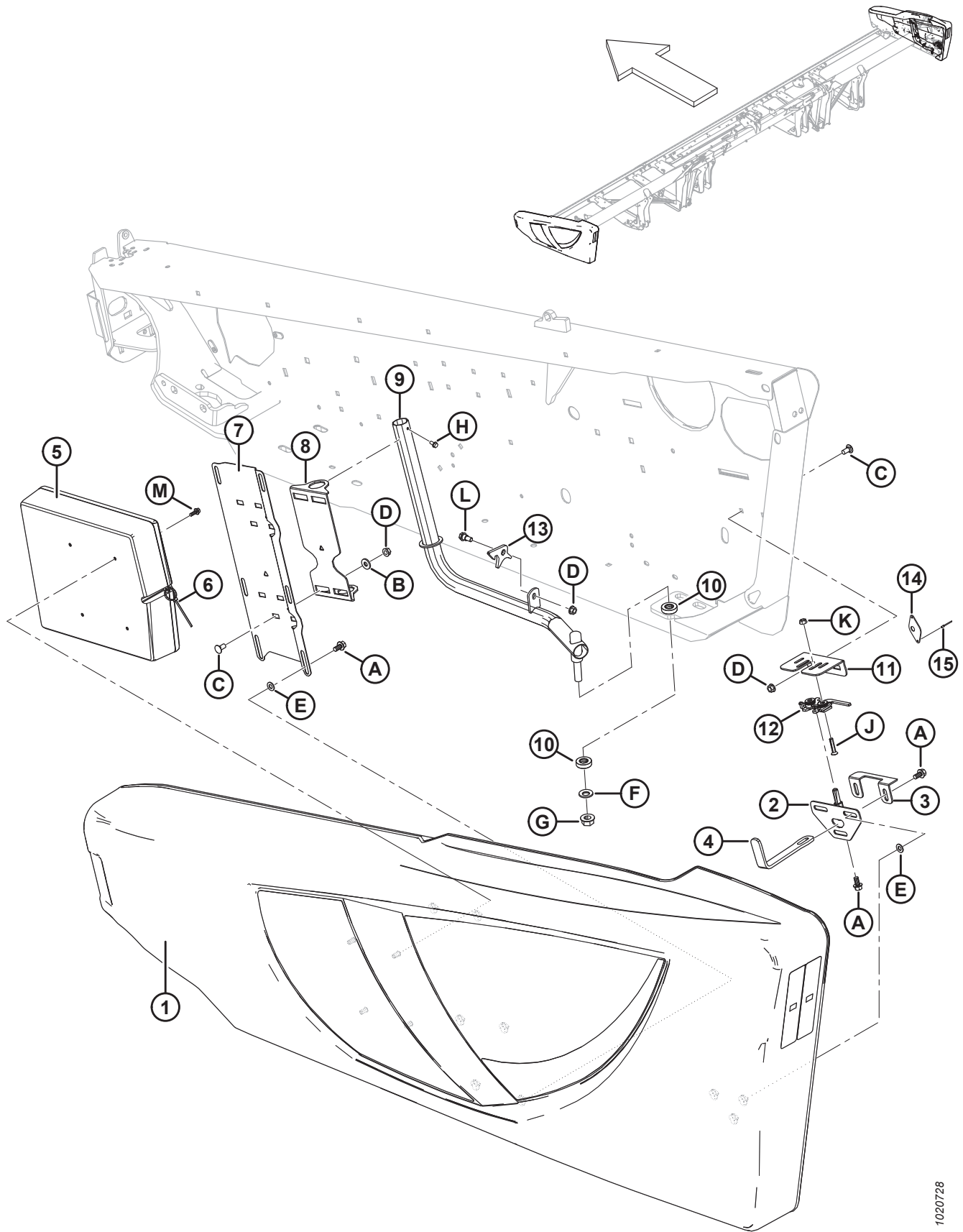




**HEADER FRAME, DIVIDERS, AND SHIELDS**

<b>Ref</b>	<b>Part Number</b>	<b>Description</b>	<b>Qty</b>	<b>Serial Number</b>
H	113814	BOLT – HH 7/16 NC X 1.5 LG GR.5 ZP		
J	18654	NUT – HEX 7/16-14 UNC GR 5 ZP		
K	6647	WASHER – FLAT		
L	135579	BOLT – HEX HD 3/4-16 UNF		
M	101898	SCREW – HEX WASH HD THD ROLLING 3/8 NC X 5/8		
N	21491	BOLT – HH 1/2 NC X 1.25 LG GR 5 ZP		
P	21383	NUT – FLANGE .500-13 UNC (SER FACE)		
Q	21567	BOLT – HEX HD .375-16 UNC X 0.75 LG		
R	18637	WASHER – REG. LOCK 3/8 IN. NOM. I.D. ZP		
S	30228	NUT – FLANGE DT SMTH FACE 0.375-16 UNC		
T	21863	BOLT – RHSSN 3/8 NC X 0.75 LG GR 5 ZP		

## 2 Header Frame – Endshields



1020728

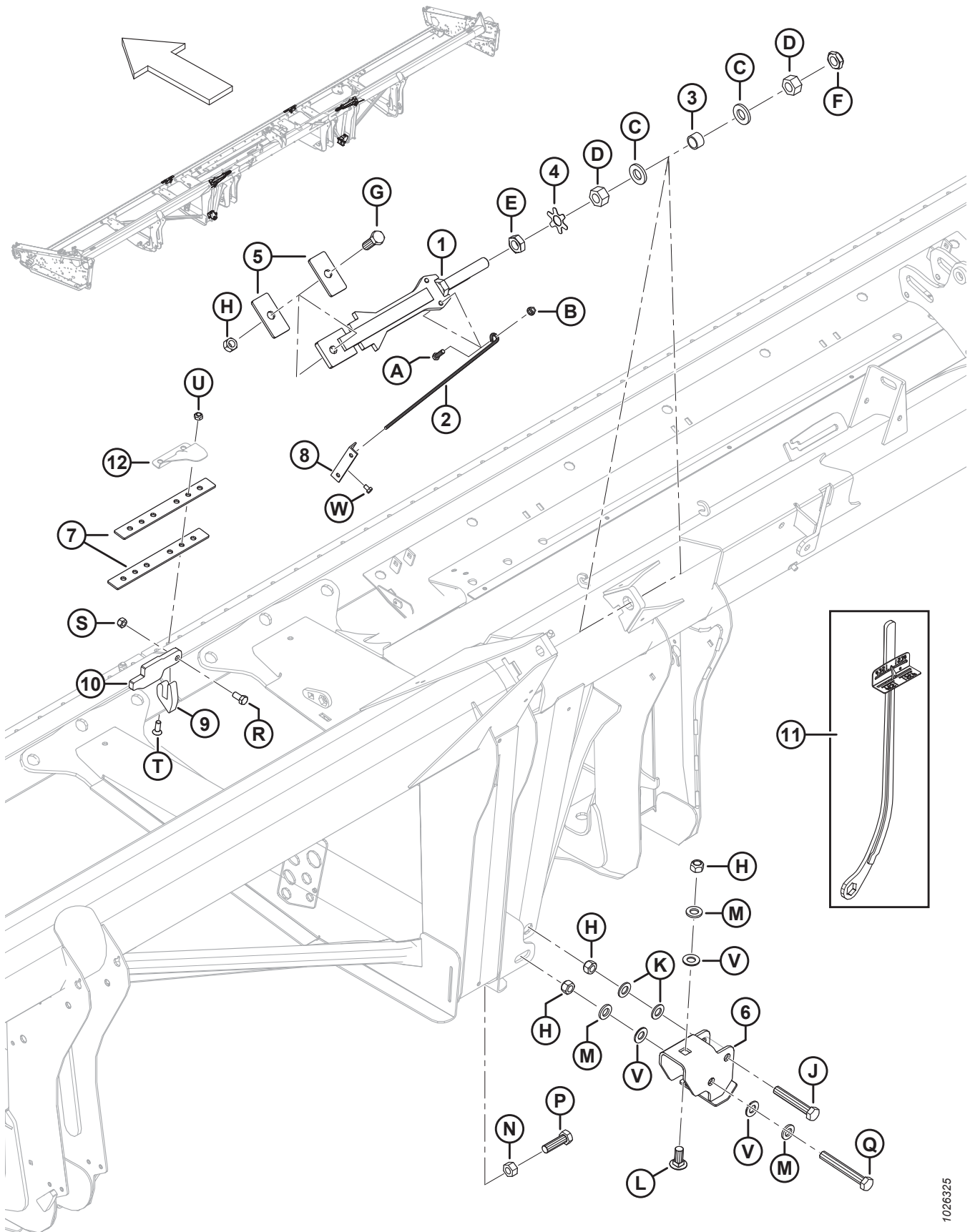
**HEADER FRAME – ENDSHIELDS**

Ref	Part Number	Description	Qty	Serial Number
1	255004	SHIELD – LH, C/W TEE NUTS, BLACK <sup>9</sup>	1	
	255019	SHIELD – RH, C/W TEE NUTS, BLACK <sup>9</sup>	1	
	304560	SHIELD ASSY – RED, LH, BLACK ACCENT <sup>9</sup>	1	
	304561	SHIELD ASSY – RED, RH, BLACK ACCENT <sup>9</sup>	1	
	165524	REFLECTOR – RED, 230 MM <sup>10</sup>		
2	253624	PIN – ENDSHIELD LATCH WELDT	2	
3	253627	RETAINER – ENDSHIELD	2	
4	253164	SUPPORT – ENDSHIELD LATCH	2	
5	220107	CASE – MANUAL (LH ENDSHIELD ONLY)	1	
6	21763	FASTENER – CABLE TIE (BLACK)	1	
7	253297	SUPPORT – LH SHIELD	1	
	253298	SUPPORT – RH SHIELD	1	
8	253299	PIVOT – SHIELD	2	
9	255678	TUBE WELDMENT LH SHIELD	1	
	255679	TUBE WELDMENT RH SHIELD	1	
10	125176	BEARING – THRUST	4	
11	253601	SUPPORT – ENDSHIELD LATCH LH	1	
	253602	SUPPORT – ENDSHIELD LATCH RH	1	
12	134003	ASSY – STIRRUP LATCH LH	1	
	134002	ASSY – STIRRUP LATCH RH	1	
13	255041	LATCH – ENDSHIELD	2	
14	165858	GUIDE – ENDSHIELD LATCH (EXPORT ONLY)	1	
15	14338	RIVET – BLIND 1/8 X .125 (EXPORT ONLY)	2	
A	21821	BOLT – HH FLG (SER FACE) 3/8 NC X 0.75 GR 5 ZP		
B	20535	WASHER – FLAT		
C	21863	BOLT – RHSSN 3/8 NC X 0.75 LG GR 5 ZP		
D	30228	NUT – FLANGE DT SMTH FACE 0.375-16 UNC		
E	18598	WASHER – SAE FLAT 13/32 I.D. X 13/16 IN. O.D. ZP		
F	184718	WASHER – CON SPRING M16 STL SAE 1050-1075		
G	50225	NUT – FLANGE DT SMTH FACE .625-11 UNC		
H	21055	SCREW – SELF TAP HEX WASH HD 1/4 NC X 1/2		
J	30504	SCREW – FLAT CSK MACH 5/16 NC X 1-1/2 LG GR 5 ZP		
K	30280	NUT – FLG SIDE LK SMTH FACE 5/16 NC GR 5 ZP		
L	172259	BOLT – SHOULDER .375-16 UNC		
M	NSS	BOLT – HH SER FLG 1/4-20 X 0.625-GR5-AA3L		

9. For endshield decals, refer to Section *38 Decals – Product Identification, page 117*.

10. Refer to Section *37 Decals and Reflectors, page 113*. Reflector (MD #165524) is used on the right endshield only.

### 3 Flex Frame Hinges and Top-Link

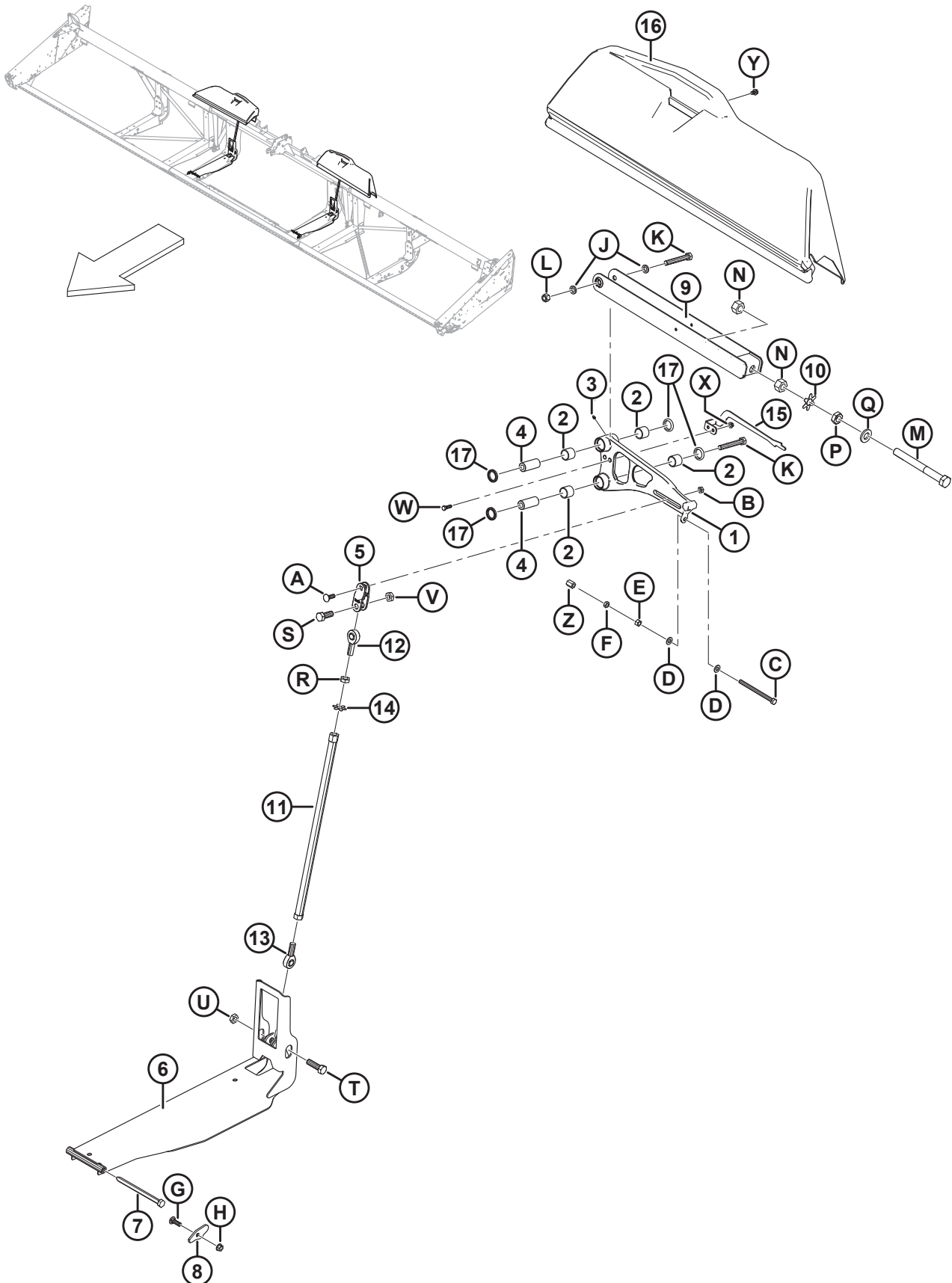


**FLEX FRAME HINGES AND TOP-LINK**

<b>Ref</b>	<b>Part Number</b>	<b>Description</b>	<b>Qty</b>	<b>Serial Number</b>
1	335638	BAR WELDMENT – STOP LINK	2	
2	132246	HANDLE – SPRING	2	
3	132254	SPACER	2	
4	220554	PLATE – WASHER TAB 1 IN. NUT	2	
5	132257	BAR – STOP	4	
6	172976	CHANNEL – HINGE WELDT	2	
7	132906	BAR – FLEX	4	
8	165594	GUIDE – PLASTIC	2	
9	294674	KIT – LUG HINGE	2	
10	294675	KIT – BAR HINGE	2	
11	311859	TOOL – WRENCH WELDMENT	A/R	
12	REF	COVER – HINGE AND SPLIT <sup>11</sup>		
A	21264	BOLT – HH 3/8 NC X 1.25 LG GR 5 ZP		
B	30228	NUT – FLANGE DT SMOOTH FACE 0.375-16 UNC		
C	31774	WASHER – FLAT		
D	123755	NUT – HEX 1.0-14 UNS GR 5 ZP		
E	123756	NUT – HEX JAM 1.0-14 UNS GR 5 ZP		
F	220187	NUT – JAM (DIST THD) 1.0-14 UNS GR C		
G	30512	BOLT – HH 3/4 NC X 2.0 LG GR 5 ZP		
H	18689	NUT – HEX LOCK DT .750-10 UNC		
J	120703	BOLT – HH, SPECIAL 3/4 NC X 4.5 LG GR 5 ZP		
K	18601	WASHER – SAE FLAT 13/16 I.D. X 1.5 IN. O.D. ZP		
L	252517	BOLT – RHSN 3/4-10 X 1.75-GR5-AA1J		
M	21540	WASHER – HARDENED		
N	18593	NUT – HEX 3/4-10 UNC GR 5 ZP		
P	172924	BOLT – HH 3/4 NC X 2.5 LG TFL GR 5 ZP		
Q	30549	BOLT – HH 3/4 NC X 5.5 LG GR 5 ZP		
R	21575	BOLT – HH 1/2 NC X 1.0 LG GR 5 ZP		
S	18697	NUT – HEX LOCK DT .500-13 UNC		
T	135315	SCREW – CSK FLAT SOCK HD, 7/16 X 1.25 LG GR 5 ZN		
U	20213	NUT – HEX LOCK DT 7/16-14 UNC ZN		
V	176009	WASHER – NORDLOCK 3/4 IN. SP		
W	111099	BOLT – HEX HD 5/16 NC X 0.5 LG GR 5 ZP		

11. Refer to Section 6 *Guards, Hold-Downs, and Wearplates – Single Knife, Middle and Left End, page 15.*

# 4 Balance Linkage

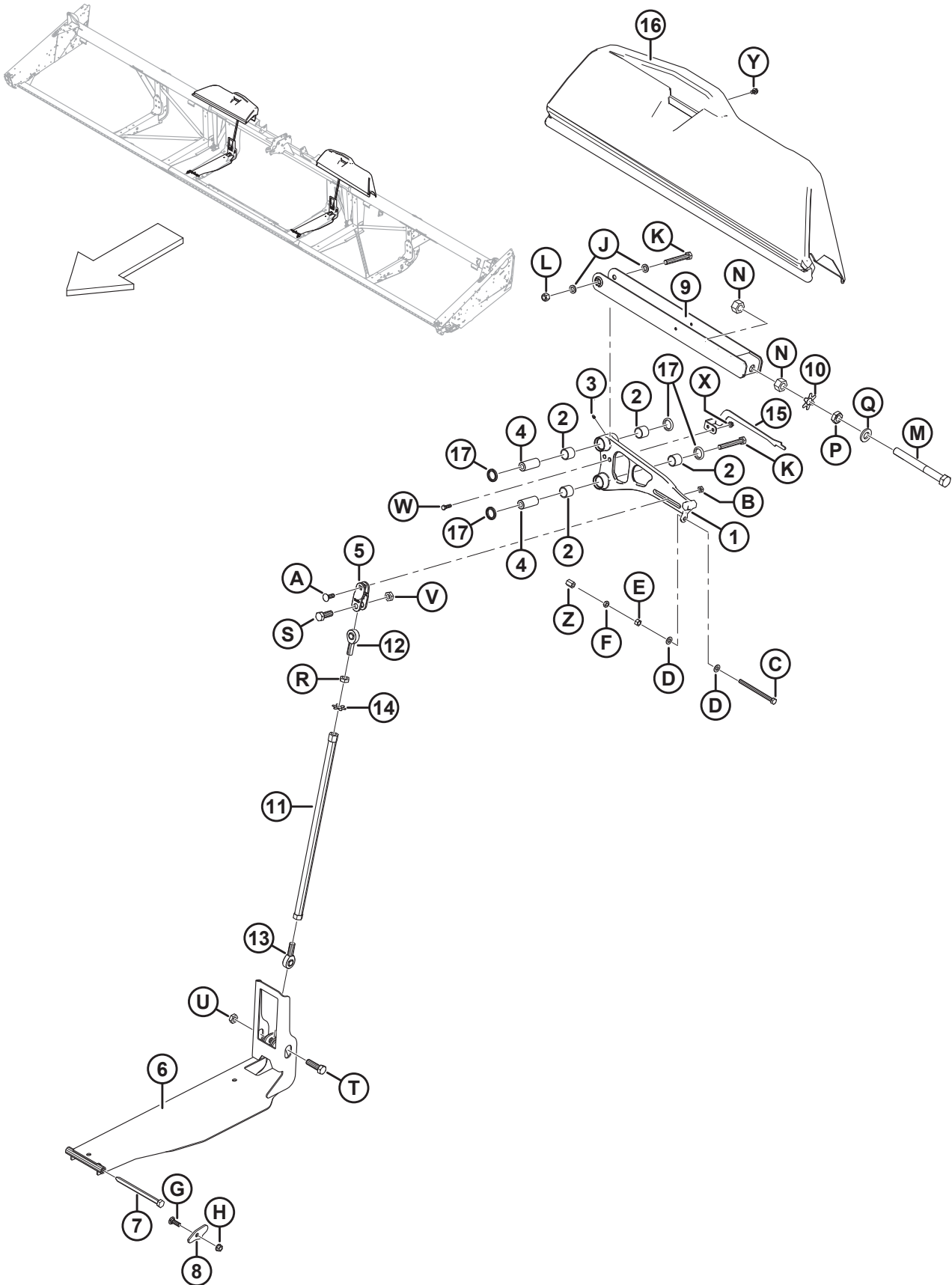


**BALANCE LINKAGE**

Ref	Part Number	Description	Qty	Serial Number
1	304917	ASSY – BELL CRANK, 25 AND 30 FT <sup>12</sup>	2	
	304918	ASSY – BELL CRANK, 35 FT <sup>12</sup>	2	
	304916	ASSY – BELL CRANK, 40 FT SK / 40 FT RH DK <sup>13</sup>	2	
	304919	ASSY – BELL CRANK, 45 FT RH / 40 FT LH DK <sup>12</sup>	1	
	304920	ASSY – BELL CRANK, 45 FT LH <sup>12</sup>	1	
2	304307	BEARING – GAGE ROLL NEEDLE 38 MM <sup>14</sup>	8	
	100500	BEARING – NEEDLE (2019 AND PRIOR) <sup>15</sup>	A/R	-371189
3	18671	FITTING – LUBE 1/4-28 UNF	4	
4	145492	PIN – BELL CRANK	4	
5	172896	CLEVIS – BELL CRANK MACHINED	2	
6	304090	CHANNEL WELDT – BOTTOM LINK	2	
7	174418	PIN – HEX HD 5/8 X 8 LG	2	
8	174416	PLATE – FLOAT BOLT KEEPER	2	
9	172480	SUPPORT – LINKAGE WELDT	2	
10	220554	PLATE – WASHER TAB 1 IN. NUT	2	
11	172830	TUBE WELDMENT – COMPRESSION LINK	2	
12	172826	ROD END – LINK, TEFLON LINER (RH THREAD)	2	
13	172831	ROD END – LINK, TEFLON LINER (LH THREAD)	2	
14	220553	PLATE – WASHER TAB 3/4 IN. NUT	2	
15	229013	INDICATOR – FLEX WING, LH	1	
	229014	INDICATOR – FLEX WING, RH	1	
	229019	INDICATOR – FLEX WING, LH 45 FT	1	
16	279832	SHIELD – LH BELLCRANK, 25 AND 30 FT	1	
	294062	SHIELD – RH BELLCRANK, 25 AND 30 FT	1	
	294059	SHIELD – LH BELLCRANK, 35 FT	1	
	279797	SHIELD – RH BELLCRANK, 35 FT	1	
	294060	SHIELD – LH BELLCRANK, 40 AND 45 FT	1	
	294057	SHIELD – RH BELLCRANK, 40 AND 45 FT	1	
17	113222	SEAL	8	
A	21469	BOLT – RHSN 1/2 NC X 1.5 LG GR 5 ZP		
B	137727	NUT – HEX JAM, DIST THD. 1/2-13 UNC GR 5 ZP		
C	50226	BOLT – HH 1/2 NC X 6.5 TFL GR 5 ZP		
D	135369	WASHER – 1/2 IN. HARDENED		

12. Includes four bearings (MD #304307), four seals (MD #113222), and two lube fittings (MD #18671).
13. Includes four bearings (MD #304307), four seals (MD #113222), and two lube fittings (MD #18671). 40-foot single knife requires two of the same supports (MD #304916) for the right and left. 40-foot double knife requires two different supports: right (MD #304916) and left (MD #304919).
14. Gage roll needle bearing (MD #304307) is NOT compatible with model year 2019 and prior single-bearing bell crank assemblies. To service model year 2019 and prior machines, order needle bearing (MD #100500) or a complete bell crank assembly.
15. Needle bearing (MD #100500) is a service part only for model year 2019 and prior machines with single-bearing bell crank assemblies. For model year 2020 and later machines, or machines that have been serviced with double-bearing bell crank assemblies, order gage roll needle bearing (MD #304307).

BALANCE LINKAGE

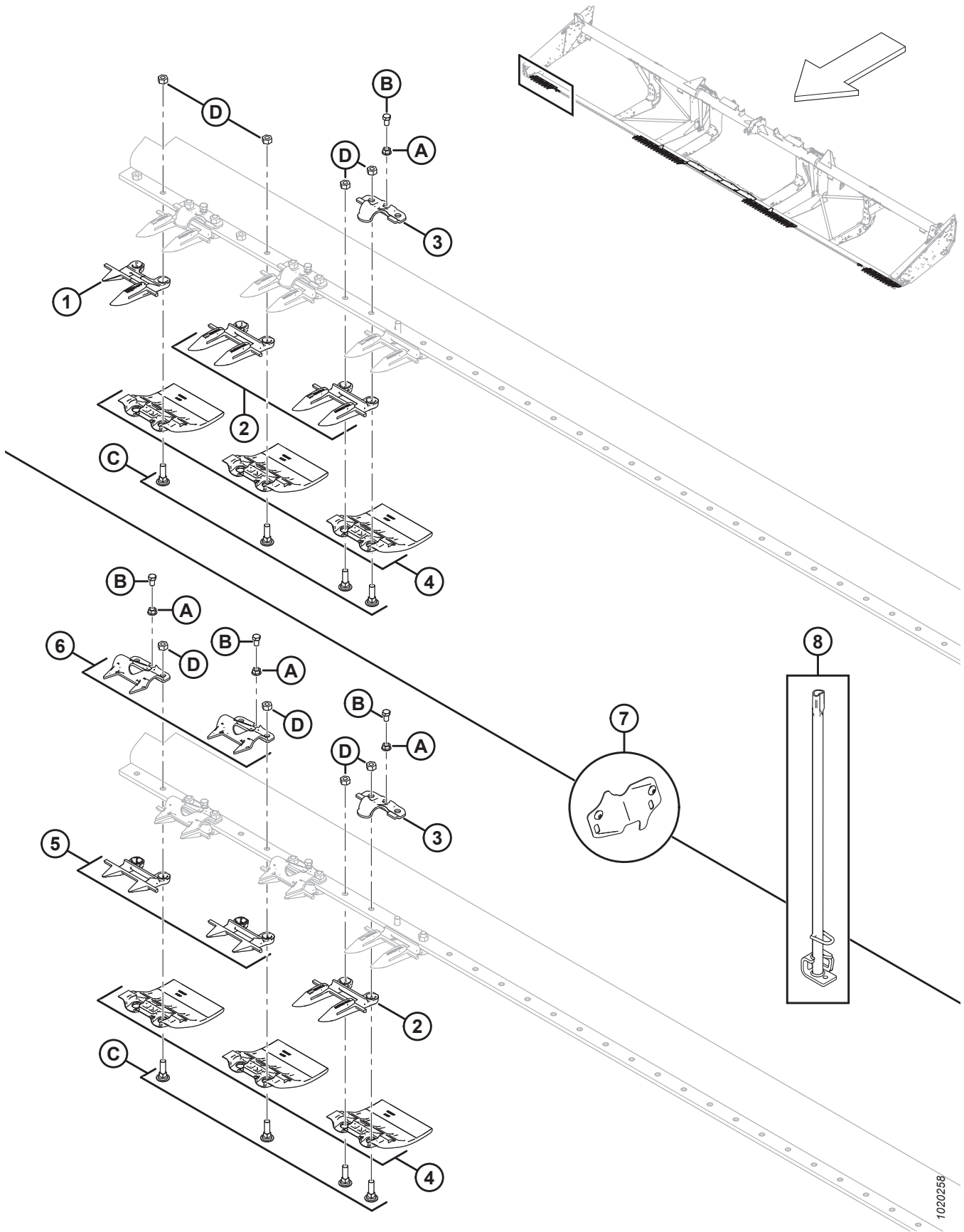




**BALANCE LINKAGE**

<b>Ref</b>	<b>Part Number</b>	<b>Description</b>	<b>Qty</b>	<b>Serial Number</b>
E	18591	NUT – HEX 1/2-13 UNC GR 5 ZP		
F	21056	NUT – HEX JAM 1/2-13 UNC GR 5 ZP		
G	21469	BOLT – RHSN 1/2 NC X 1.5 LG GR 5 ZP		
H	50186	NUT – FLG LOCK SM FACE DT 0.500-13 UNC GR 5		
J	103361	WASHER – FLAT		
K	135464	BOLT – HH 5/8 NC X 4.5 LG GR 8 ZP		
L	18666	NUT – HEX LOCK DT 5/8-11 UNC ZP		
M	123788	BOLT – HH 1.0-14 UNF X 9.5 LG.(6 IN. THD)		
N	123755	NUT – HEX 1.0-14 UNF GR 5 ZP		
P	123756	NUT – HEX JAM 1-14 UNF GR 5 ZP		
Q	31774	WASHER – FLAT		
R	7674	NUT – HEX JAM 3/4-16 UNF GR 5 ZP		
S	30512	BOLT – HH 3/4 NC X 2.0 LG GR 5 ZP		
T	19957	BOLT – HH 3/4 NC X 2.5 LG GR 5 ZP		
U	123517	NUT – HEX JAM DIST THRD 3/4-10 UNC GR 5 ZP		
V	102636	NUT – HEX DT .750-10 UNC		
W	21264	BOLT – HH 3/8 NC X 1.25 LG GR 5 ZP		
X	30228	NUT – FLANGE DT SMOOTH FACE 0.375-16 UNC		
Y	101898	SCREW – HEX WASH HD THD ROLLING 3/8 NC X 5/8		
Z	252870	NUT – HEX COUPLING 1/2-13 X GR5-AA1J		

# 5 Guards, Hold-Downs, and Wearplates – Single Knife, Right End



**GUARDS, HOLD-DOWNS, AND WEARPLATES – SINGLE KNIFE, RIGHT END**

**NOTE:**

Illustration; TOP: Single knife, right end with pointed guards, BOTTOM: Single knife, right end with end stubs.

Ref	Part Number	Description	Qty	Serial Number
1	118302	SICKLE GUARD – RH, OUTBOARD	1	
2	118344	SICKLE GUARD – W/ POINTS <sup>16</sup>		
3	118162	CLIP – HOLD-DOWN <sup>17</sup>		
4	129297	WEARPLATE – UNDER CUTTERBAR, POLYETHYLENE <sup>18</sup>		
5	118346	SICKLE GUARD – STUB, W/ WEARBAR	4	
6	118351	GUIDE – SHEET METAL STUB, WITH HOLE	4	
7	220103	KIT – COVER, KNIFE CUT OUT (25–45 FT, STUB) <sup>19</sup>	1	
	220101	KIT – COVER, KNIFE CUT OUT (25–45 FT) <sup>20</sup>	1	
8	140135	TOOL WELDT – GUARD STRAIGHTENING TOOL	1	
A	118193	NUT – FLANGE HEX .375 UNC		
B	118154	BOLT – HH 3/8 NC X 5/8 TFL GR 8 ZP		
C	120558	BOLT – RHSN SPECIAL 7/16 NC X 1.5 LG GR 5 ZP		
D	18654	NUT – HEX 7/16-14 UNC GR 5 ZP		

16. Complete quantities: 25 ft. = 45, 30 ft. = 55, 35 ft. = 65, 40 ft. = 75, 25 ft. with stub ends = 42, 30 ft. with stub ends = 52, 35 ft. with stub ends = 62.

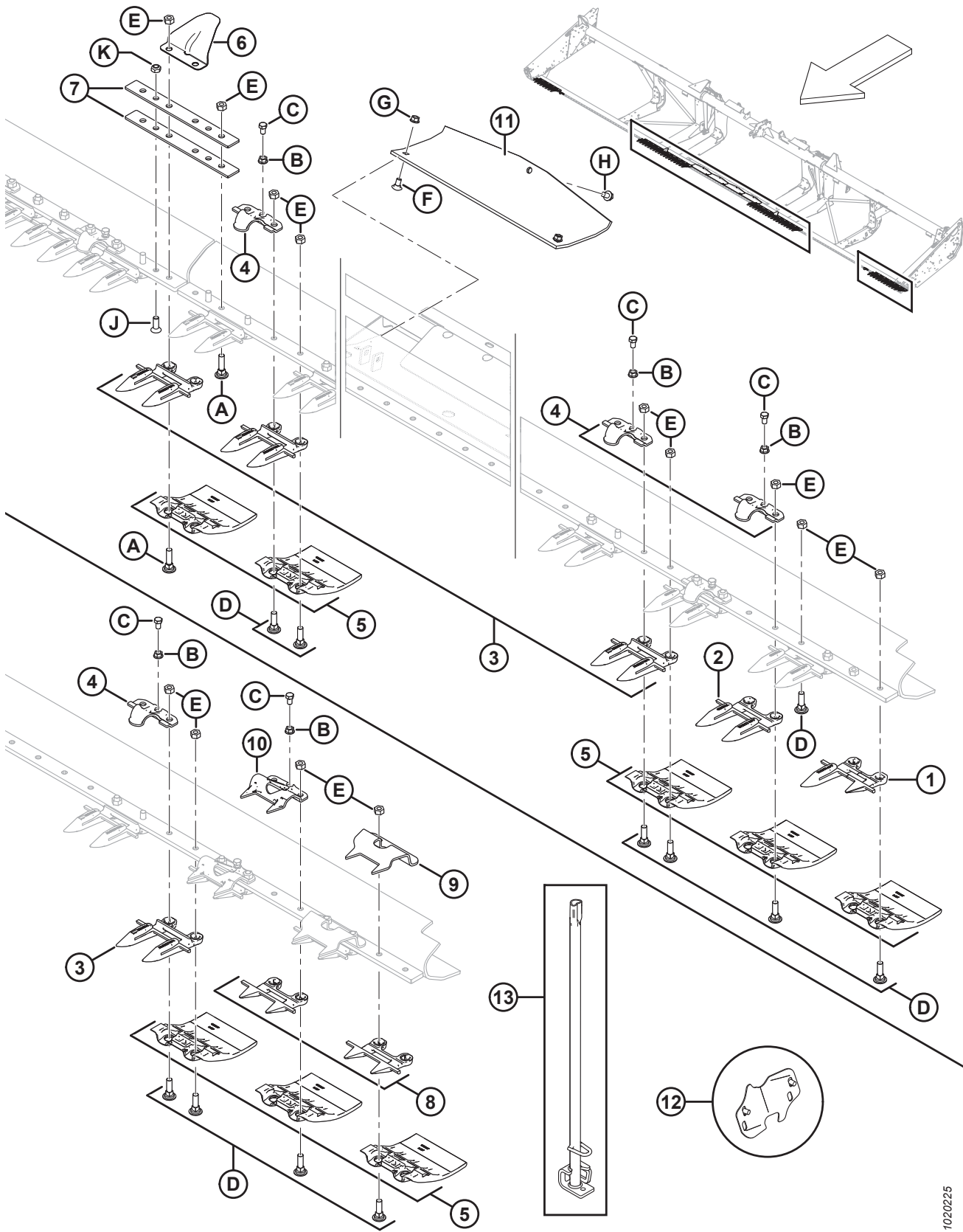
17. Complete quantities: 25 ft. = 24, 30 ft. = 29, 35 ft. = 33, 40 ft. = 39, 25 ft. with stub ends = 20, 30 ft. with stub ends = 26, 35 ft. with stub ends = 30.

18. Complete quantities: 25 ft. = 50, 30 ft. = 60, 35 ft. = 70, 40 ft. = 80.

19. Used with stub guards and sheet metal hold-downs. Includes two covers and screws (MD #105137).

20. Used with pointed guards and forged hold-downs. Includes two covers and screws (MD #105137).

# 6 Guards, Hold-Downs, and Wearplates – Single Knife, Middle and Left End



**GUARDS, HOLD-DOWNS, AND WEARPLATES – SINGLE KNIFE, MIDDLE AND LEFT END**

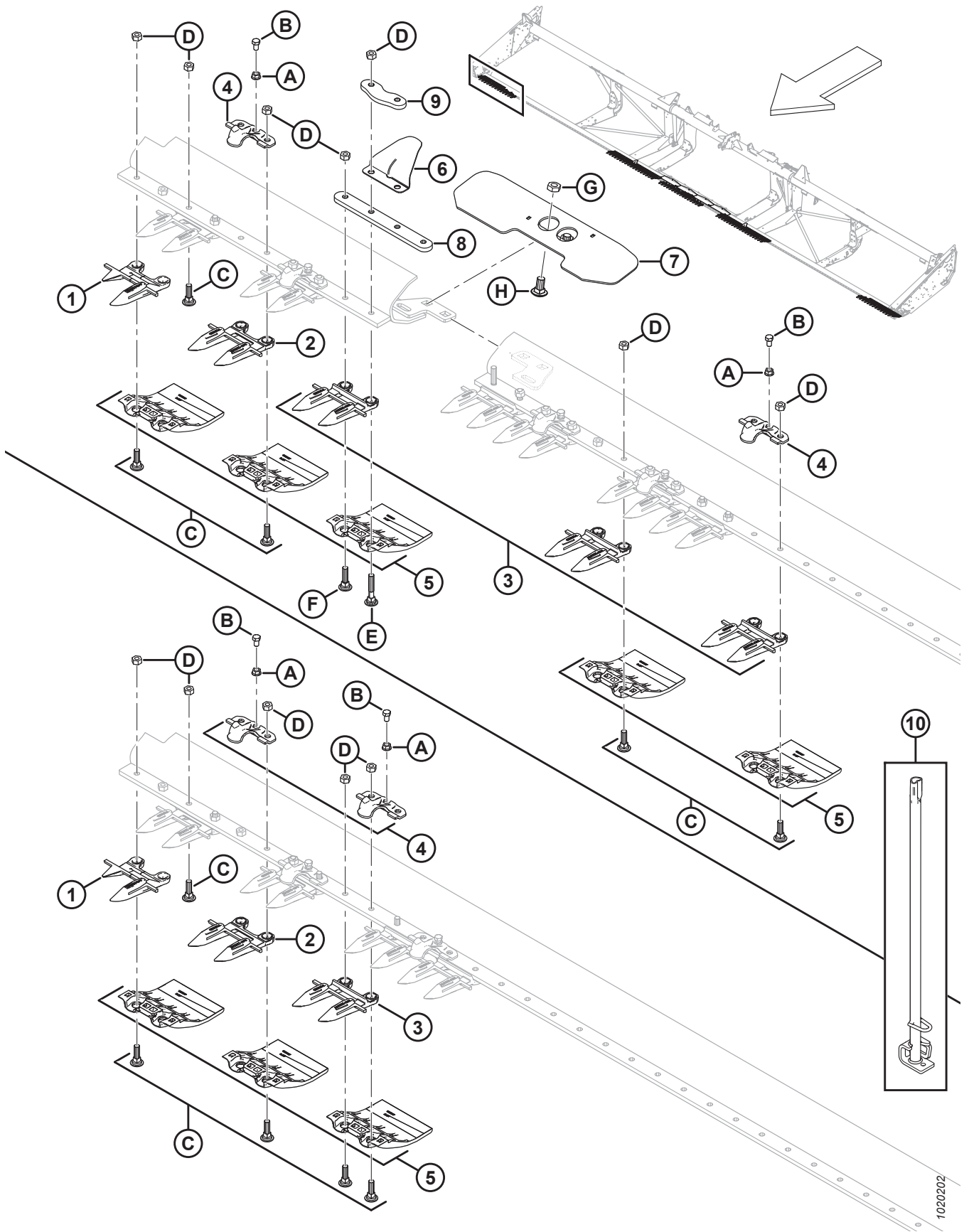
**NOTE:**

Illustration; TOP: Single knife, middle and left end (pointed), BOTTOM: Single knife, left end with end stubs.

Ref	Part Number	Description	Qty	Serial Number
1	118301	SICKLE GUARD – LH, OUTBOARD	1	
2	118345	SICKLE GUARD – W/ POINTS, W/O WEARBAR	3	
3	118344	SICKLE GUARD – W/ POINTS <sup>21</sup>		
4	118162	CLIP – HOLD-DOWN <sup>22</sup>		
5	129297	WEARPLATE – UNDER CUTTERBAR, POLYETHYLENE <sup>23</sup>		
6	220114	COVER – HINGE AND SPLIT <sup>24</sup>	2	
7	132906	BAR – FLEX	4	
8	118347	SICKLE GUARD – STUB, W/O WEARBAR	4	
9	165209	GUIDE – SHEET METAL STUB, KNIFEHEAD END	2	
10	118351	GUIDE – SHEET METAL STUB, WITH HOLE	2	
11	151551	SHOE – SKID, TRANSITION PAN	4	
12	220103	KIT – COVER, KNIFE CUT OUT (25–45 FT, STUB) <sup>25</sup>	1	
	220101	KIT – COVER, KNIFE CUT OUT (25–45 FT) <sup>26</sup>	1	
13	140135	TOOL WELDT – GUARD STRAIGHTENING TOOL	1	
A	120639	BOLT – RHSN SPECIAL 7/16 NC X 1.75 LG GR 5 ZP		
B	118193	NUT – FLANGE HEX .375 UNC		
C	118154	BOLT – HH 3/8 NC X 5/8 TFL GR 8 ZP		
D	120558	BOLT – RHSN SPECIAL 7/16 NC X 1.5 LG GR 5 ZP		
E	18654	NUT – HEX 7/16-14 UNC GR 5 ZP		
F	21472	BOLT – RHSN 3/8 NC X 0.75 GR 5 ZP		
G	30228	NUT – FLANGE DT SMOOTH FACE 0.375-16 UNC		
H	101898	SCREW – HEX WASH HD THD ROLLING 3/8 NC X 5/8		
J	135315	SCREW – CSK FLAT SOCK HD, 7/16 X 1.25 LG GR 5 ZN		
K	20213	NUT – HEX LOCK DT 7/16-14 UNC ZN		

- 
21. Complete quantities: 25 ft. = 45, 30 ft. = 55, 35 ft. = 65, 40 ft. = 75, 25 ft. with stub ends = 42, 30 ft. with stub ends = 52, 35 ft. with stub ends = 62.
  22. Complete quantities: 25 ft. = 24, 30 ft. = 29, 35 ft. = 33, 40 ft. = 39, 25 ft. with stub ends = 20, 30 ft. with stub ends = 26, 35 ft. with stub ends = 30.
  23. Complete quantities: 25 ft. = 50, 30 ft. = 60, 35 ft. = 70, 40 ft. = 80.
  24. Quantity of three required for 40 ft. split frame (export). For 40 ft. split frame specific hardware, refer to [Section 7 Guards, Hold-Downs, and Wearplates – Double Knife, Right End, page 17](#).
  25. Used with stub guards and sheet metal hold-downs. Includes two covers and screws (MD #105137).
  26. Used with pointed guards and forged hold-downs. Includes two covers and screws (MD #105137).

# 7 Guards, Hold-Downs, and Wearplates – Double Knife, Right End



**GUARDS, HOLD-DOWNS, AND WEARPLATES – DOUBLE KNIFE, RIGHT END**

**NOTE:**

Illustration; TOP: Double knife, split frame right end, BOTTOM: Double knife, standard right end.

Ref	Part Number	Description	Qty	Serial Number
	B6677	KIT – STUB GUARDS AND SM HOLD DOWNS 30 FT FD <sup>27</sup>		
	B6678	KIT – STUB GUARDS AND SM HOLD DOWNS 35 FT FD <sup>27</sup>		
	B6679	KIT – STUB GUARDS AND SM HOLD DOWNS 40 FT FD <sup>27</sup>		
	B6680	KIT – STUB GUARDS AND SM HOLD DOWNS 45 FT FD <sup>27</sup>		
1	118302	SICKLE GUARD – RH, OUTBOARD	1	
2	118345	SICKLE GUARD – W/ POINTS, W/O WEARBAR (3 PER END)	3	
3	118344	SICKLE GUARD – W/ POINTS <sup>28</sup>		
4	118162	CLIP – HOLD-DOWN <sup>29</sup>		
5	129297	WEARPLATE – UNDER CUTTERBAR, POLYETHYLENE <sup>30</sup>		
6	220114	COVER – HINGE AND SPLIT (SPLIT FRAME HDR ONLY)	1	
7	125418	SUPPORT – SPLIT CBAR CONNECTION WELDT (40 FT SPLIT FRAME HDR ONLY)	1	
	253552	SUPPORT – SPLIT CBAR CONNECTION WELDT (45 FT SPLIT FRAME HDR ONLY)	1	
8	294460	BAR – CUTTERBAR SPLICE (SPLIT FRAME HDR ONLY)	1	
9	220115	BAR – CUTTERBAR SPLICE (SPLIT FRAME HDR ONLY)	1	
10	140135	TOOL WELDT – GUARD STRAIGHTENING TOOL	1	
A	118193	NUT – FLANGE HEX .375 UNC		
B	118154	BOLT – HH 3/8 NC X 5/8 TFL GR 8 ZP		
C	120558	BOLT – RHSN SPECIAL 7/16 NC 1.5 LG GR 5 ZP		
D	18654	NUT – HEX 7/16-14 UNC GR 5 ZP		
E	279575	BOLT – RHSN SPECIAL 7/16 NC X 2.5 LG GR 5 ZP		
F	120639	BOLT – RHSN SPECIAL 7/16 NC X 1.75 LG GR 5 ZP		
G	21941	NUT – HEX LOCK JAM (END DT THD) 5/8-11 UNC GR 5 ZP		
H	103562	BOLT – RHSN 5/8 NC X 1.25 GR 5 ZP		

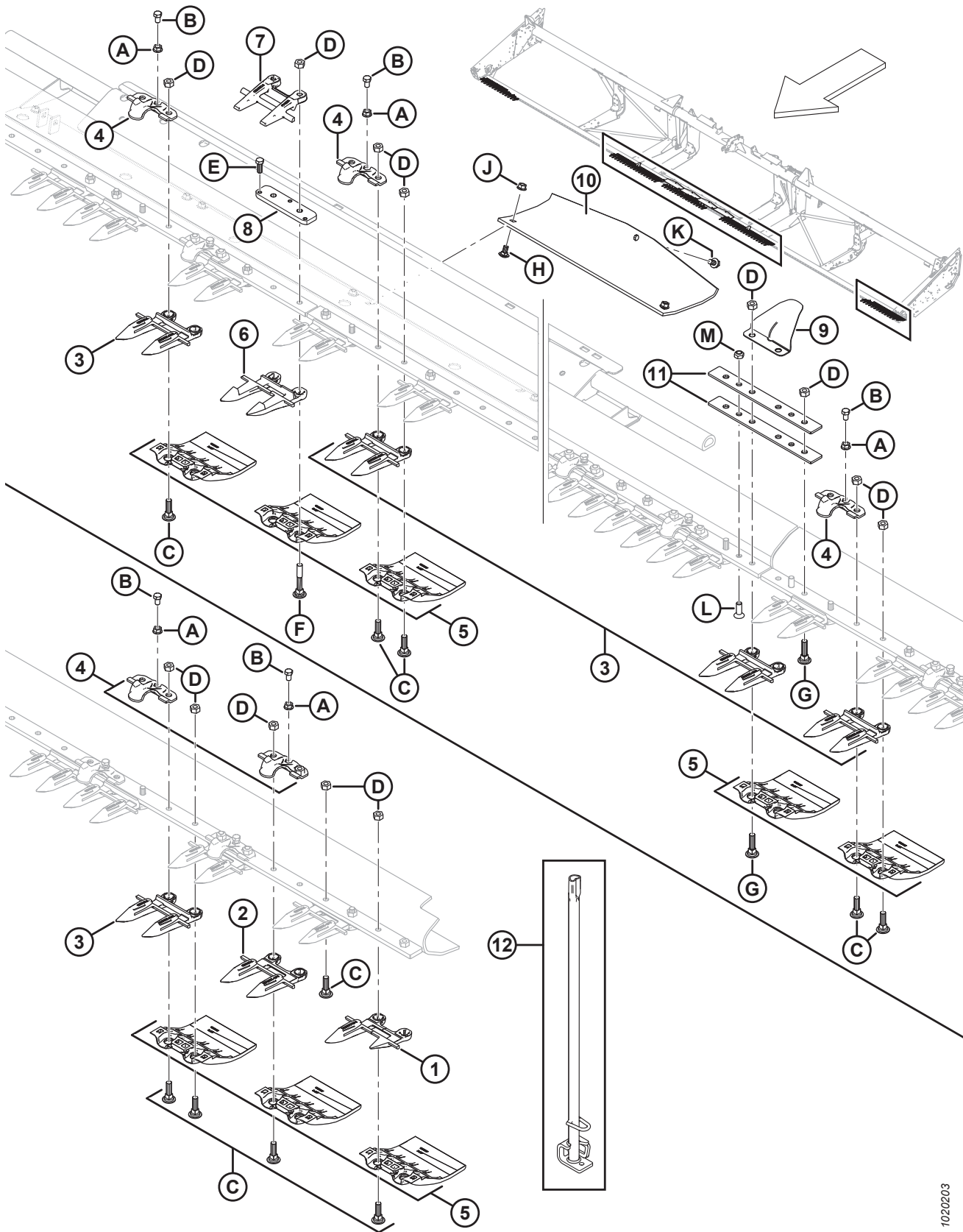
27. Stub Guards with Sheet Metal Hold-Downs kits are designed for use with 30–35 foot export flex headers and 40–45 foot export split frame flex headers. For service parts, refer to Section *63 (Option) Stub Guards with Sheet Metal Hold-Downs, page 175*. Kits available through Whole Goods only.

28. Complete cutterbar quantities: 40 ft. = 71, 45 ft. = 81.

29. Complete cutterbar quantities: 40 ft. = 38, 45 ft. = 42, 45 ft. split frame (export) = 43.

30. Complete cutterbar quantities: 40 ft. = 80, 45 ft. = 90.

# 8 Guards, Hold-Downs, and Wearplates – Double Knife, Middle and Left End





**GUARDS, HOLD-DOWNS, AND WEARPLATES – DOUBLE KNIFE, MIDDLE AND LEFT END**

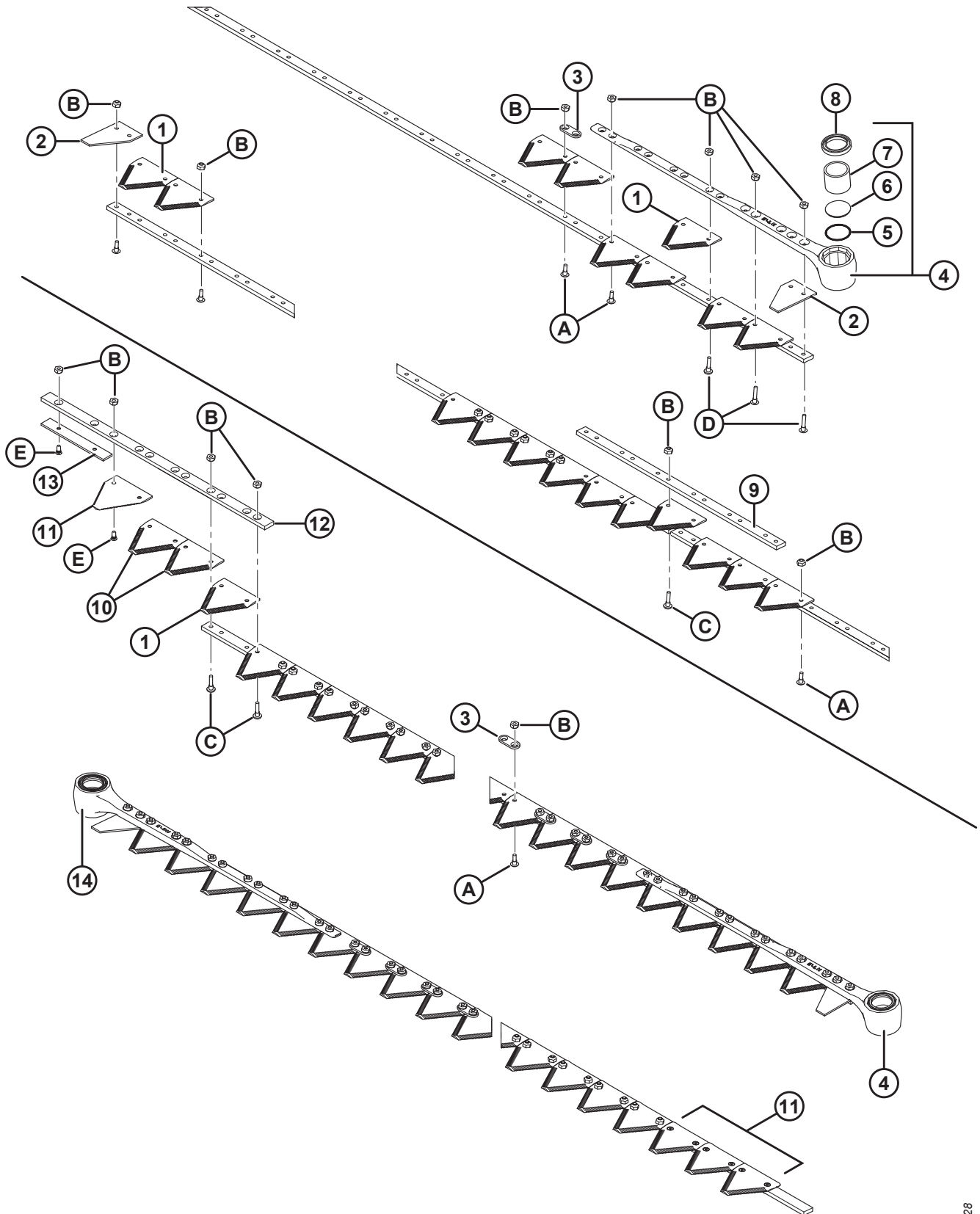
**NOTE:**

Illustration; TOP: Double knife, middle, BOTTOM: Double knife, left end.

Ref	Part Number	Description	Qty	Serial Number
	B6677	KIT – STUB GUARDS AND SM HOLD DOWNS 30 FT FD <sup>31</sup>		
	B6678	KIT – STUB GUARDS AND SM HOLD DOWNS 35 FT FD <sup>31</sup>		
	B6679	KIT – STUB GUARDS AND SM HOLD DOWNS 40 FT FD <sup>31</sup>		
	B6680	KIT – STUB GUARDS AND SM HOLD DOWNS 45 FT FD <sup>31</sup>		
1	118301	SICKLE GUARD – LH, OUTBOARD	1	
2	118345	SICKLE GUARD – W/ POINTS, W/O WEARBAR (3 PER END)	3	
3	118344	SICKLE GUARD – W/ POINTS <sup>32</sup>		
4	118162	CLIP – HOLD-DOWN <sup>33</sup>		
5	129297	WEARPLATE – UNDER CUTTERBAR, POLYETHYLENE <sup>34</sup>		
6	124338	SICKLE GUARD – CENTER, POINTED	1	
7	124344	GUIDE – TOP-CENTER	1	
8	34980	BAR – ADJUSTER	1	
9	220114	COVER – HINGE AND SPLIT	2	
10	151551	SHOE – SKID, TRANSITION PAN	4	
11	132906	BAR – FLEX	4	
12	140135	TOOL WELDT – GUARD STRAIGHTENING TOOL	1	
A	118193	NUT – FLANGE HEX .375 UNC		
B	118154	BOLT – HH 3/8 NC X 5/8 TFL GR 8 ZP		
C	120558	BOLT – RHSN SPECIAL 7/16 NC X 1.5 LG GR 5 ZP		
D	18654	NUT – HEX 7/16-14 UNC GR 5 ZP		
E	50120	BOLT – HH 3/8 NC X 1 STAIN STL		
F	132404	BOLT – RHSN SPECIAL 7/16 NC X 2.75 LG GR 5 ZP		
G	120639	BOLT – RHSN SPECIAL 7/16 NC X 1.75 LG GR 5 ZP		
H	21472	BOLT – RHSN 3/8 NC X 0.75 GR 5 ZP		
J	30228	NUT – FLANGE DT SMOOTH FACE 0.375-16 UNC		
K	101898	SCREW – HEX WASH HD THD ROLLING 3/8 NC X 5/8		
L	135315	SCREW – CSK FLAT SOCK HD, 7/16 X 1.25 LG GR 5 ZN		
M	20213	NUT – HEX LOCK DT 7/16-14 UNC ZN		

31. Stub Guards with Sheet Metal Hold-Downs kits are designed for use with 30–35 foot export flex headers and 40–45 foot export split frame flex headers. For service parts, refer to Section [63 \(Option\) Stub Guards with Sheet Metal Hold-Downs, page 175](#). Kits available through Whole Goods only.
32. Complete cutterbar quantities: 40 ft. = 71, 45 ft. = 81.
33. Complete cutterbar quantities: 40 ft. = 38, 45 ft. = 42, 45 ft. split frame (export) = 43.
34. Complete cutterbar quantities: 40 ft. = 80, 45 ft. = 90.

# 9 Knife Components and Knifehead



## KNIFE COMPONENTS AND KNIFEHEAD

**NOTE:**

Top of illustration shows single knife; bottom shows double knife.

**NOTE:**

To service knife assemblies, refer to the following sections:

- 10 Segmented Knives – Single-Knife Headers, Fine-Tooth Sections, page 25*
- 11 Segmented Knives – Single-Knife Headers, Coarse-Tooth Sections, page 27*
- 12 Segmented Knives – Single-Knife Headers, Ultra Coarse-Tooth Sections, page 31*
- 13 Segmented Knives – Double-Knife Headers, Fine-Tooth Sections, page 33*
- 14 Segmented Knives – Double-Knife Headers, Coarse-Tooth Sections, page 37*
- 15 Segmented Knives – Double-Knife Headers, Ultra Coarse-Tooth Sections, page 41*

Ref	Part Number	Description	Qty	Serial Number
1	279641	COARSE SICKLE SECTION – 9 SPI (25 PACK) <sup>35</sup>		
	174845	COARSE SICKLE SECTION BUSATIS – 9 SPI (25 PACK)	OPT	
	294947	SECT PKG – ULTRA COARSE, 4 SPI (25 PACK)	OPT	
	279642	FINE SICKLE SECTION – 14 SPI (25 PACK)	OPT	
	118491	FINE SICKLE SECTION BUSATIS – 14 SPI (25 PACK)	OPT	
2	279468	SECTION – END, HALF SECTION (10 PACK)	2	
3	174857	BAR – REINFORCING (25 PACK) <sup>36</sup>		
4	132896	HEAD ASSEMBLY – LH, 5° ANGLE <sup>37</sup>	1	
5	115670	O-RING – SICKLE HEAD	1	
6	113937	PLUG – SICKLE HEAD	1	
7	100500	BEARING – NEEDLE, SICKLE HEAD	1	
8	113222	SEAL – SICKLE HEAD (INSTALL W/ LIP FACING OUTWARD)	1	
9	33955	BAR – SPLICE, 2-PIECE SICKLES (35 AND 40 FT SK)	1	
10	279310	COARSE SICKLE SECTION – BOTTOM CSK, 9 SPI (10 PACK)	2	
	279851	COARSE SICKLE SECTION BUSATIS – BOTTOM CSK, 9 SPI (10 PACK)	OPT	
	279312	FINE SICKLE SECTION – BOTTOM CSK, 14 SPI (10 PACK)	OPT	
	279850	FINE SICKLE SECTION BUSATIS – BOTTOM CSK, 14 SPI (10 PACK)	OPT	
	279996	KIT – CENTER OVERLAP FINE SICKLE <sup>38</sup>	OPT	
	279997	KIT – CENTER OVERLAP COARSE SICKLE <sup>39</sup>	OPT	
	335326	KIT – CENTER OVERLAP ULTRA COARSE SICKLE <sup>40</sup>	OPT	

35. Quantities (individual sections): 25 ft. = 99, 30 ft. single knife = 119, 35 ft. single knife = 139, 40 ft. single knife = 159, 40 ft. double knife = 153, 45 ft. double knife = 173.

36. Quantities (individual pieces): single knife (except 35 ft.) = 10, 35 ft. single knife = 20, double knife = 20.

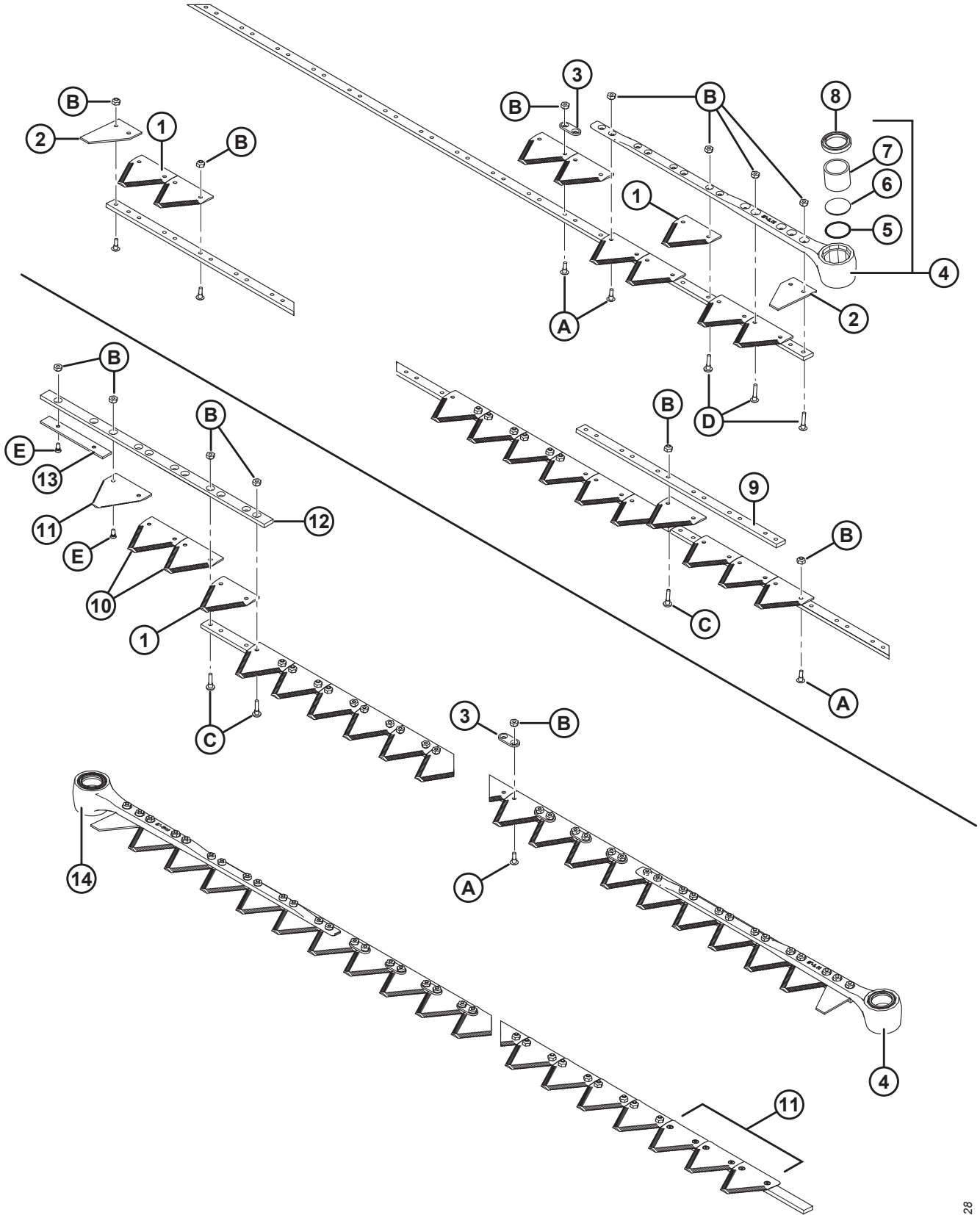
37. Includes O-ring (MD #115670), plug (MD #113937), needle bearing (MD #100500), and seal (MD #113222).

38. Includes four top countersunk fine sickle sections (14 SPI), three bottom countersunk fine sickle sections (14 SPI), and all required hardware.

39. Includes four top countersunk coarse sickle sections (9 SPI), three bottom countersunk coarse sickle sections (9 SPI), and all required hardware.

40. Includes four top countersunk ultra coarse sickle sections (4 SPI), three bottom countersunk ultra coarse sickle sections (4 SPI), and all required hardware.

# KNIFE COMPONENTS AND KNIFEHEAD



1000428

**KNIFE COMPONENTS AND KNIFEHEAD**

<b>Ref</b>	<b>Part Number</b>	<b>Description</b>	<b>Qty</b>	<b>Serial Number</b>
11	279314	COARSE SICKLE SECTION – TOP CSK, 9 SPI (10 PACK) <sup>41</sup>	4	
	279999	COARSE SICKLE SECTION BUSATIS – TOP CSK, 9 SPI (10 PACK)	OPT	
	279316	FINE SICKLE SECTION – TOP CSK, 14 SPI (10 PACK)	OPT	
	279848	FINE SICKLE SECTION BUSATIS – TOP CSK, 14 SPI (10 PACK)	OPT	
12	124880	GUIDE – TOP, LH SICKLE	1	
13	124881	BAR – WEAR, LH SICKLE	1	
14	132897	HEAD ASS'Y – RH, 5° ANGLE <sup>42</sup>	1	
A	135628	SCREW – BHRN, #12-24 NC X 0.67 IN. (50 PACK) <sup>43</sup>		
B	135626	NUT – CSK, CENTER LOCK, #12-24 NC (50 PACK) <sup>44</sup>		
C	135630	SCREW – BHRN, #12-24 NC X 0.920 IN. (50 PACK) <sup>45</sup>		
D	135632	SCREW – BHRN, #12-24 NC X 1.05 IN. (50 PACK) <sup>46</sup>		
E	174165	SCREW – 90° CSK SK HD, #12-24 NC X 0.5 IN. (50 PACK)		

41. Install with serrations down.

42. Includes O-ring (MD #115670), plug (MD #113937), needle bearing (MD #100500), and seal (MD #113222).

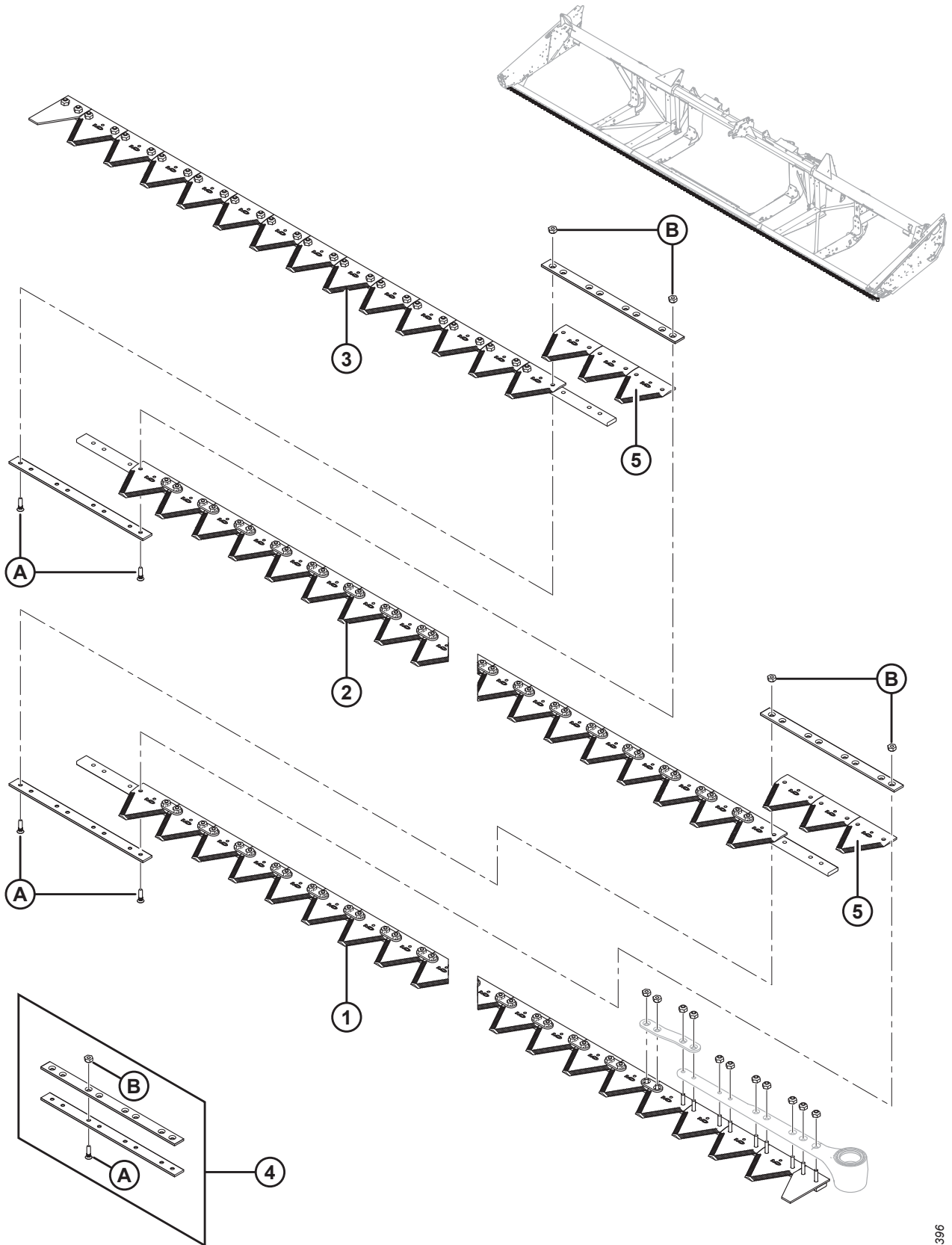
43. Package of 1000 – MD #135629.

44. Package of 2000 – MD #135627.

45. Package of 1000 – MD #135631.

46. Package of 1000 – MD #135633.

# 10 Segmented Knives – Single-Knife Headers, Fine-Tooth Sections



**SEGMENTED KNIVES – SINGLE-KNIFE HEADERS, FINE-TOOTH SECTIONS**

**NOTE:**

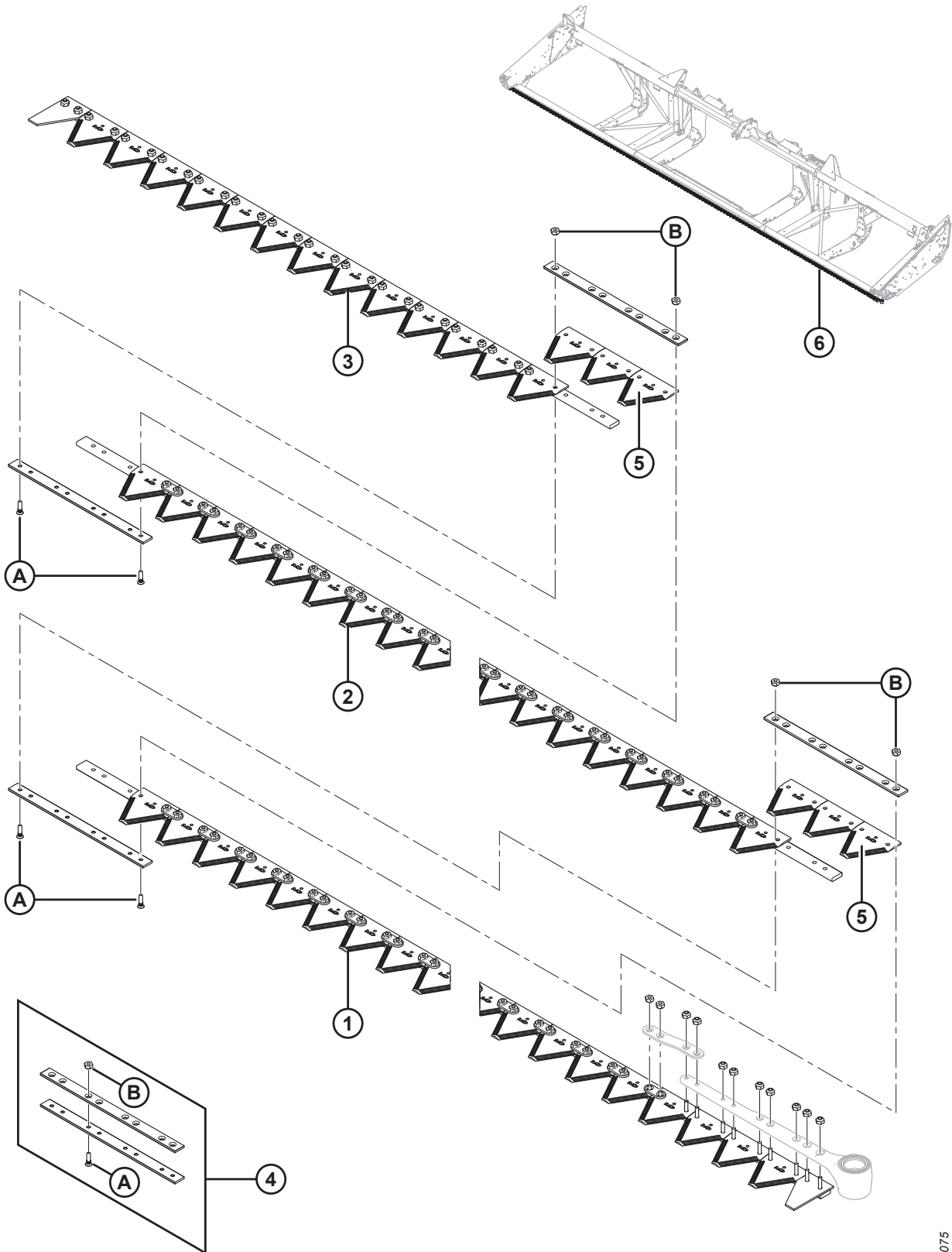
7.6–13.7 m (25–45 ft.) header knives are sold in segments; for a complete segment (less knifehead), refer to tables below:

Ref	Part Number	Description	Qty	Serial Number
		<b>7.6 METER (25 FOOT)</b>		
	335489	KIT – 25 FT FINE SINGLE KNIFE <sup>47</sup>		
1	279398	LEFT HEAD SEGMENT	1	
2	279399	CENTER SEGMENT	1	
3	279401	RIGHT, TAIL SEGMENT	1	
4	129043	MACDON SPLICE KIT <sup>48</sup>	2	
5	279642	SECTION – KONDEX FINE, 9 SPI (25 PACK)	6	
	118491	SECTION – BUSATIS FINE, 9 SPI (25 PACK)	6	
		<b>9.1 METER (30 FOOT)</b>		
	335490	KIT – 30 FT FINE SINGLE KNIFE <sup>47</sup>		
1	279398	LEFT HEAD SEGMENT	1	
2	279399	CENTER SEGMENT	2	
3	279402	RIGHT, TAIL SEGMENT	1	
4	129043	MACDON SPLICE KIT <sup>48</sup>	3	
5	279642	SECTION – KONDEX FINE, 9 SPI (25 PACK)	9	
	118491	SECTION – BUSATIS FINE, 9 SPI (25 PACK)	9	
		<b>10.7 METER (35 FOOT)</b>		
	335491	KIT – 35 FT FINE SINGLE KNIFE <sup>47</sup>		
1	279398	LEFT HEAD SEGMENT	1	
2	279399	CENTER SEGMENT	2	
3	279403	RIGHT, TAIL SEGMENT	1	
4	129043	MACDON SPLICE KIT <sup>48</sup>	3	
5	279642	SECTION – KONDEX FINE, 9 SPI (25 PACK)	9	
	118491	SECTION – BUSATIS FINE, 9 SPI (25 PACK)	9	
		<b>12.2 METER (40 FOOT)</b>		
	335492	KIT – 40 FT FINE SINGLE KNIFE <sup>47</sup>		
1	279398	LEFT HEAD SEGMENT	1	
2	279399	CENTER SEGMENT	3	
3	279404	RIGHT, TAIL SEGMENT	1	
4	129043	MACDON SPLICE KIT <sup>48</sup>	4	
5	279642	SECTION – KONDEX FINE, 9 SPI (25 PACK)	12	
	118491	SECTION – BUSATIS FINE, 9 SPI (25 PACK)	12	
A	129299	SCREW – 90° CSK SKT HD, #12-24 NC X 0.812 IN.		
B	135626	NUT – CSK, CENTER LOCK, #12-24 NC (50 PACK)		

47. Complete knife assembly kit.

48. Includes two splice bars and hardware.

# 11 Segmented Knives – Single-Knife Headers, Coarse-Tooth Sections



1030075



**SEGMENTED KNIVES – SINGLE-KNIFE HEADERS, COARSE-TOOTH SECTIONS**

**NOTE:**

7.6–13.7 m (25–45 ft.) header knives are sold in segments; for a complete segment (less knifehead), refer to tables below:

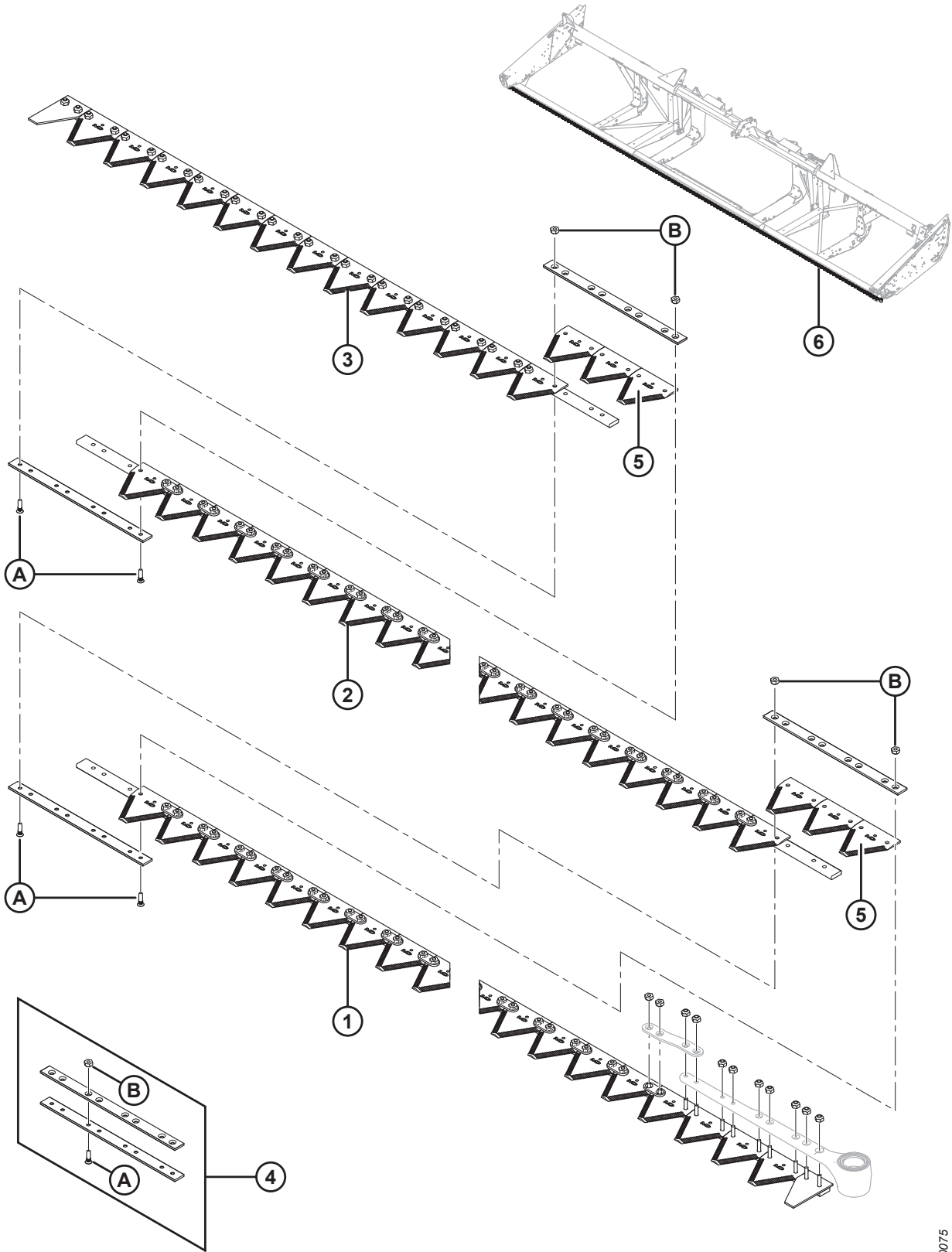
Ref	Part Number	Description	Qty	Serial Number
		<b>7.6 METER (25 FOOT)</b>		
1	279405	LEFT HEAD SEGMENT	1	
2	279406	CENTER SEGMENT	1	
3	279408	RIGHT, TAIL SEGMENT	1	
4	129043	MACDON SPLICE KIT <sup>49</sup>	2	
5	279641	SECTION – KONDEX COARSE, 9 SPI (25 PACK)	6	
	174845	SECTION – BUSATIS COARSE, 9 SPI (25 PACK)	6	
		<b>9.1 METER (30 FOOT)</b>		
1	279405	LEFT HEAD SEGMENT	1	
2	279406	CENTER SEGMENT	2	
3	279409	RIGHT, TAIL SEGMENT	1	
4	129043	MACDON SPLICE KIT <sup>49</sup>	3	
5	279641	SECTION – KONDEX COARSE, 9 SPI (25 PACK)	9	
	174845	SECTION – BUSATIS COARSE, 9 SPI (25 PACK)	9	
6	294795	KIT – 30 FT SINGLE KNIFE <sup>50</sup>	A/R	
		<b>10.7 METER (35 FOOT)</b>		
1	279405	LEFT HEAD SEGMENT	1	
2	279406	CENTER SEGMENT	2	
3	279410	RIGHT, TAIL SEGMENT	1	
4	129043	MACDON SPLICE KIT <sup>49</sup>	3	
5	279641	SECTION – KONDEX COARSE, 9 SPI (25 PACK)	9	
	174845	SECTION – BUSATIS COARSE, 9 SPI (25 PACK)	9	
6	294796	KIT – 35 FT SINGLE KNIFE <sup>51</sup>	A/R	

49. Includes two splice bars and hardware.

50. Kit is for complete cutterbar replacement. Kit includes left head segment (MD #279405), center segment (MD #279406), right tail segment (MD #279409), MacDon splice kit (MD #129043), and Kondex coarse section (MD #279641).

51. Kit is for complete cutterbar replacement. Kit includes left head segment (MD #279405), center segment (MD #279406), right tail segment (MD #279410), MacDon splice kit (MD #129043), and Kondex coarse section (MD #279641).

SEGMENTED KNIVES – SINGLE-KNIFE HEADERS, COARSE-TOOTH SECTIONS



1030075

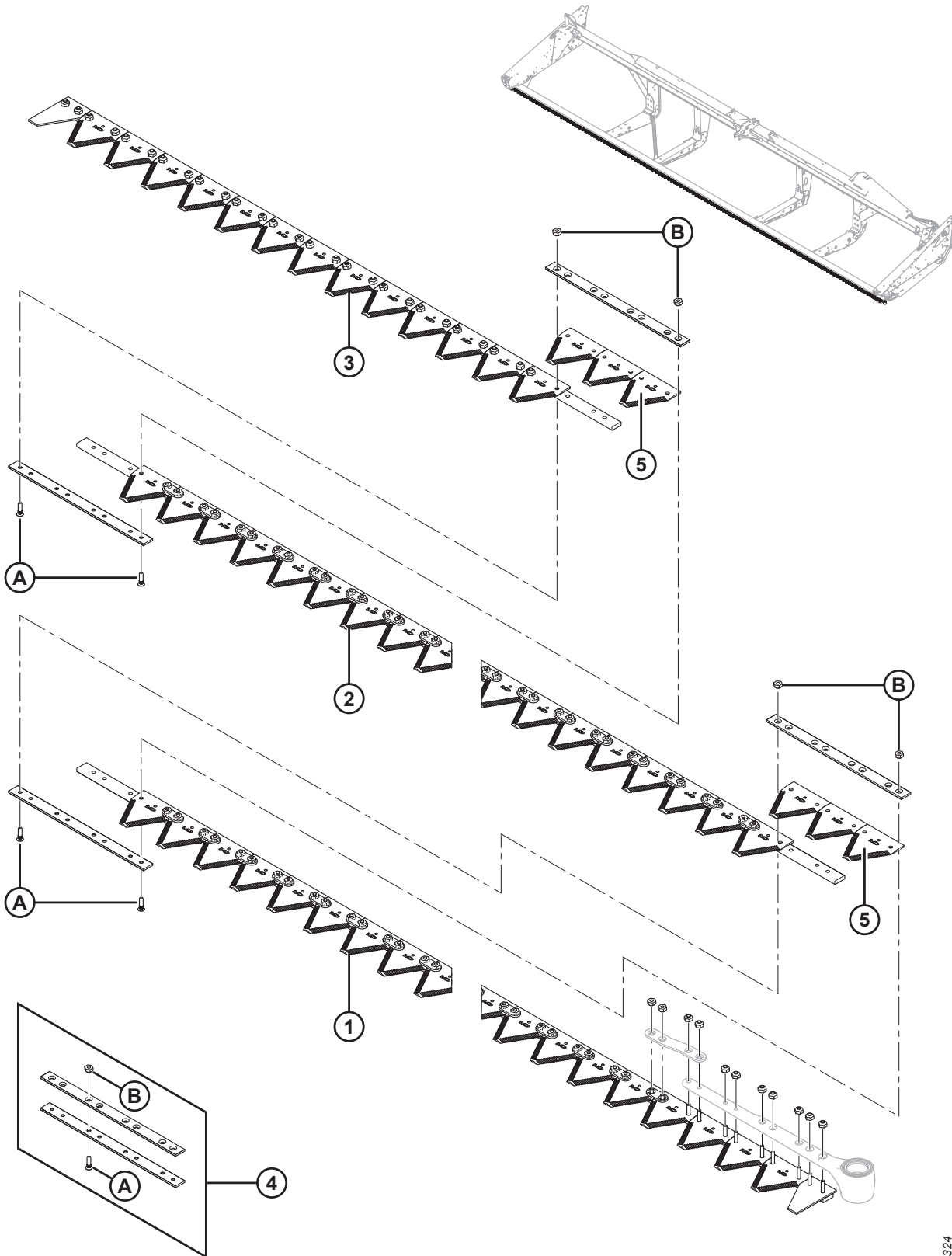
**SEGMENTED KNIVES – SINGLE-KNIFE HEADERS, COARSE-TOOTH SECTIONS**

<b>Ref</b>	<b>Part Number</b>	<b>Description</b>	<b>Qty</b>	<b>Serial Number</b>
		<b>12.2 METER (40 FOOT)</b>		
1	279405	LEFT HEAD SEGMENT	1	
2	279406	CENTER SEGMENT	3	
3	279411	RIGHT, TAIL SEGMENT	1	
4	129043	MACDON SPLICE KIT <sup>49</sup>	4	
5	279641	SECTION – KONDEX COARSE, 9 SPI (25 PACK)	12	
	174845	SECTION – BUSATIS COARSE, 9 SPI (25 PACK)	12	
6	294797	KIT – 40 FT SINGLE KNIFE <sup>52</sup>	A/R	
A	129299	SCREW – 90° CSK SKT HD, #12-24 NC X 0.812 IN.		
B	135626	NUT – CSK, CENTER LOCK, #12-24 NC (50 PACK)		

---

52. Kit is for complete cutterbar replacement. Kit includes left head segment (MD #279405), center segment (MD #279406), right tail segment (MD #279411), MacDon splice kit (MD #129043), and Kondex coarse section (MD #279641).

# 12 Segmented Knives – Single-Knife Headers, Ultra Coarse-Tooth Sections



**SEGMENTED KNIVES – SINGLE-KNIFE HEADERS, ULTRA COARSE-TOOTH SECTIONS**

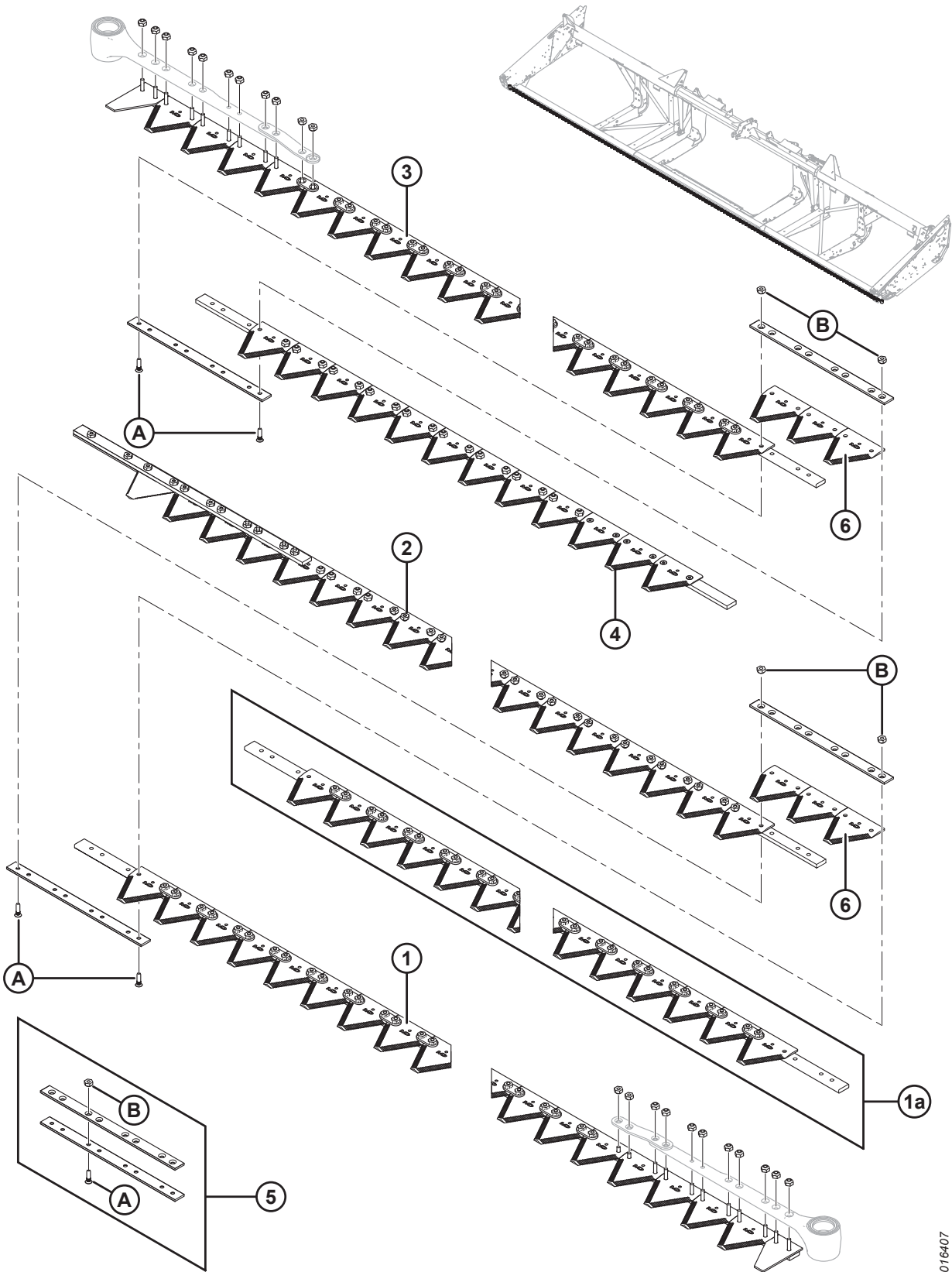
Ref	Part Number	Description	Qty	Serial Number
		<b>7.6 METER (25 FOOT)</b>		
	335513	KIT – 25 FT ULTRA COARSE SINGLE KNIFE <sup>53</sup>		
1	335533	ASSEMBLY – KNIFE SEGMENT ULTRA COARSE <sup>54</sup>	1	
2	335534	ASSEMBLY – KNIFE SEGMENT ULTRA COARSE <sup>54</sup>	1	
3	335535	ASSEMBLY – KNIFE SEGMENT ULTRA COARSE <sup>54</sup>	1	
4	129043	SPLICE KIT <sup>55</sup>	2	
5	294947	SECTION – PACKAGE ULTRA COARSE, 4 SPI	1	
		<b>9.1 METER (30 FOOT)</b>		
	335514	KIT – 30 FT ULTRA COARSE SINGLE KNIFE <sup>53</sup>		
1	335533	ASSEMBLY – KNIFE SEGMENT ULTRA COARSE <sup>54</sup>	1	
2	335534	ASSEMBLY – KNIFE SEGMENT ULTRA COARSE <sup>54</sup>	2	
3	335536	ASSEMBLY – KNIFE SEGMENT 4 SPI <sup>54</sup>	1	
4	129043	SPLICE KIT 2 1/8 IN. <sup>55</sup>	3	
5	294947	SECTION – PACKAGE ULTRA COARSE, 4 SPI	1	
		<b>10.7 METER (35 FOOT)</b>		
	335515	KIT – 35 FT ULTRA COARSE SINGLE KNIFE <sup>53</sup>		
1	335533	ASSEMBLY – KNIFE SEGMENT ULTRA COARSE <sup>54</sup>	1	
2	335534	ASSEMBLY – KNIFE SEGMENT ULTRA COARSE <sup>54</sup>	2	
3	335531	KNIFE SEGMENT, TAIL	1	
4	129043	SPLICE KIT 2 1/8 IN. <sup>55</sup>	3	
5	294947	SECTION – PACKAGE ULTRA COARSE, 4 SPI	1	
		<b>12.2 METER (40 FOOT)</b>		
	335516	KIT – 40 FT ULTRA COARSE SINGLE KNIFE <sup>53</sup>		
1	335533	ASSEMBLY – KNIFE SEGMENT ULTRA COARSE <sup>54</sup>	1	
2	335534	ASSEMBLY – KNIFE SEGMENT ULTRA COARSE <sup>54</sup>	3	
3	335530	KNIFE SEGMENT, TAIL	1	
4	129043	SPLICE KIT 2 1/8 IN. <sup>55</sup>	4	
5	294947	SECTION – PACKAGE ULTRA COARSE, 4 SPI	1	
A	129299	SCREW – 90° CSK SKT HD, #12-24 NC X 0.812 IN.		
B	135626	NUT – CSK, CENTER LOCK, #12-24 NC (50 PACK)		

53. Complete knife assembly kit.

54. Includes hardware.

55. Includes two splice bars and hardware.

# 13 Segmented Knives – Double-Knife Headers, Fine-Tooth Sections



1016407

**SEGMENTED KNIVES – DOUBLE-KNIFE HEADERS, FINE-TOOTH SECTIONS**

**NOTE:**

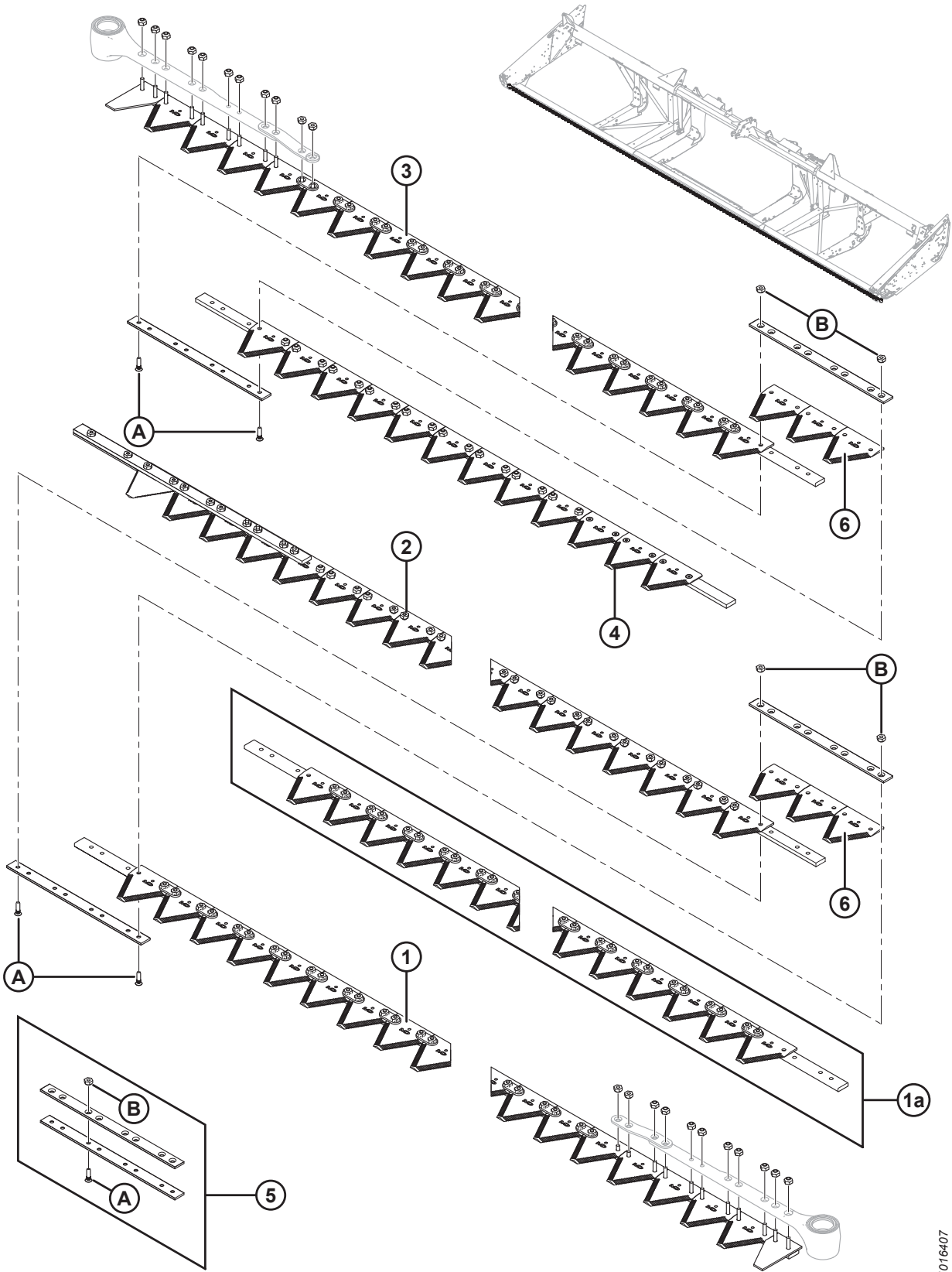
9.1–13.7 m (30–45 ft.) header knives are sold in segments; for a complete segment (less knifehead), refer to tables below:

Ref	Part Number	Description	Qty	Serial Number
		<b>9.1 METER (30 FOOT)</b>		
	335484	KIT – 30 FT FINE DOUBLE KNIFE <sup>56</sup>		
1	279398	LEFT HEAD SEGMENT	1	
2	279417	LEFT TAIL SEGMENT	1	
3	279412	RIGHT HEAD SEGMENT	1	
4	279418	RIGHT, TAIL SEGMENT	1	
5	129043	MACDON SPLICE KIT <sup>57</sup>	2	
6	279642	SECTION – KONDEX FINE, 9 SPI (25 PACK)	6	
	118491	SECTION – BUSATIS FINE, 9 SPI (25 PACK)	6	
		<b>10.7 METER (35 FOOT)</b>		
	335485	KIT – 35 FT FINE DOUBLE KNIFE <sup>56</sup>		
1	279398	LEFT HEAD SEGMENT	1	
2	279419	LEFT TAIL SEGMENT	1	
3	279412	RIGHT HEAD SEGMENT	1	
4	279420	RIGHT, TAIL SEGMENT	1	
5	129043	MACDON SPLICE KIT <sup>57</sup>	2	
6	279642	SECTION – KONDEX FINE, 9 SPI (25 PACK)	6	
	118491	SECTION – BUSATIS FINE, 9 SPI (25 PACK)	6	
		<b>12.2 METER (40 FOOT)</b>		
	335486	KIT – 40 FT FINE DOUBLE KNIFE <sup>56</sup>		
1	279398	LEFT HEAD SEGMENT	1	
1a	279399	CENTER SEGMENT (1 PER SIDE)	2	
2	279421	LEFT TAIL SEGMENT	1	
3	279412	RIGHT HEAD SEGMENT	1	
4	279422	RIGHT, TAIL SEGMENT	1	
5	129043	MACDON SPLICE KIT <sup>57</sup>	4	
6	279642	SECTION – KONDEX FINE, 9 SPI (25 PACK)	12	
	118491	SECTION – BUSATIS FINE, 9 SPI (25 PACK)	12	
		<b>13.7 METER (45 FOOT)</b>		
	335487	KIT – 45FT FINE DOUBLE KNIFE <sup>56</sup>		
1	279398	LEFT HEAD SEGMENT	1	
1a	279399	CENTER SEGMENT (1 PER SIDE)	2	
2	279423	LEFT TAIL SEGMENT	1	
3	279412	RIGHT HEAD SEGMENT	1	
4	279424	RIGHT, TAIL SEGMENT	1	
5	129043	MACDON SPLICE KIT <sup>57</sup>	4	
6	279642	SECTION – KONDEX FINE, 9 SPI (25 PACK)	12	
	118491	SECTION – BUSATIS FINE, 9 SPI (25 PACK)	12	

56. Complete knife assembly kit.

57. Includes two splice bars and hardware.

SEGMENTED KNIVES – DOUBLE-KNIFE HEADERS, FINE-TOOTH SECTIONS



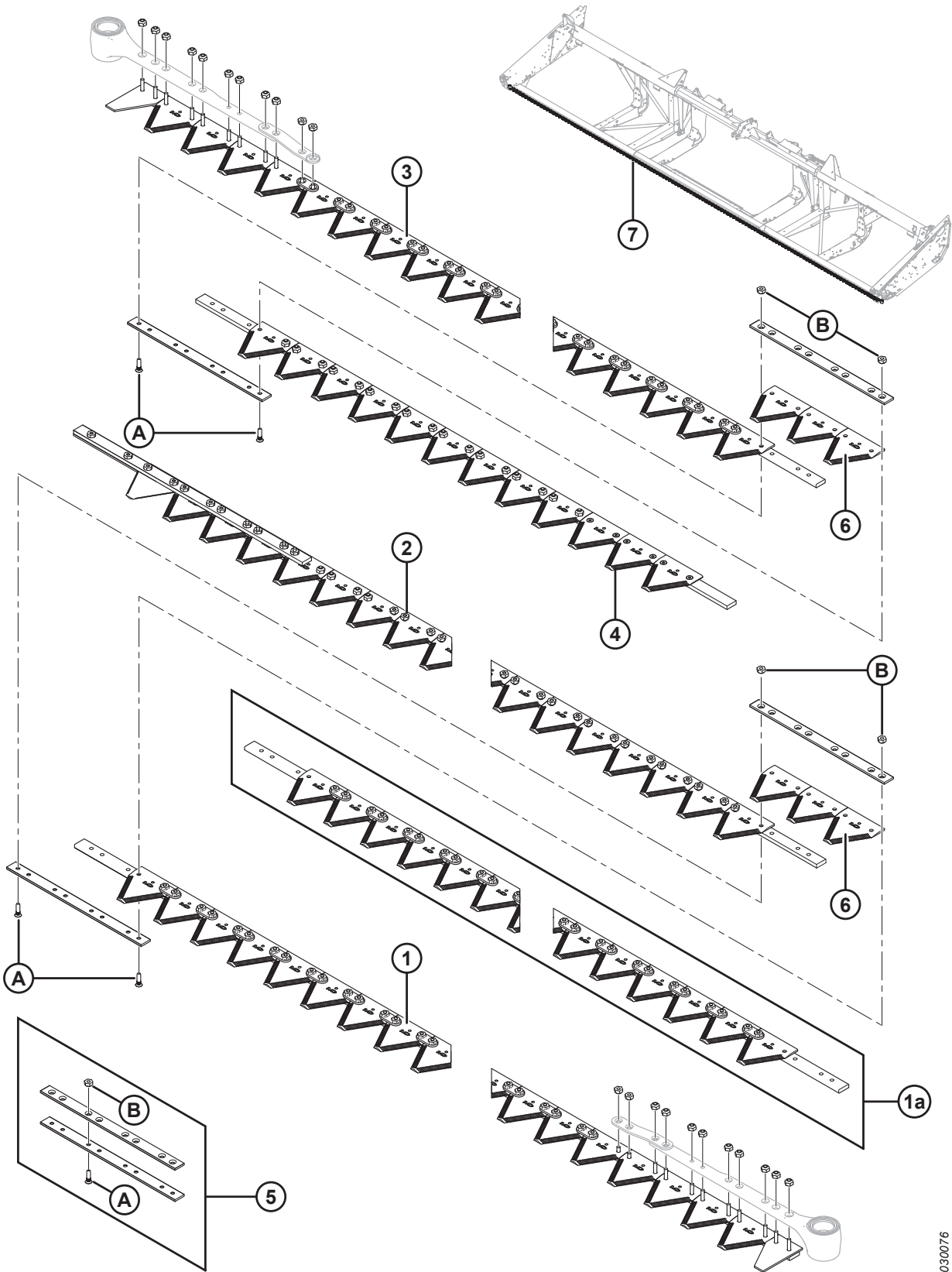
1016407



SEGMENTED KNIVES – DOUBLE-KNIFE HEADERS, FINE-TOOTH SECTIONS

Ref	Part Number	Description	Qty	Serial Number
A	129299	SCREW – 90° CSK SKT HD, #12-24 NC X 0.812 IN.		
B	135626	NUT – CSK, CENTER LOCK, #12-24 NC (50 PACK)		

# 14 Segmented Knives – Double-Knife Headers, Coarse-Tooth Sections



1030076

**SEGMENTED KNIVES – DOUBLE-KNIFE HEADERS, COARSE-TOOTH SECTIONS**

**NOTE:**

9.1–13.7 m (30–45 ft.) header knives are sold in segments; for a complete segment (less knifehead), refer to tables below:

Ref	Part Number	Description	Qty	Serial Number
		<b>9.1 METER (30 FOOT)</b>		
1	279405	LEFT HEAD SEGMENT	1	
2	279430	LEFT TAIL SEGMENT	1	
3	279428	RIGHT HEAD SEGMENT <sup>58</sup>	1	
4	279432	RIGHT, TAIL SEGMENT	1	
5	129043	MACDON SPLICE KIT <sup>59</sup>	2	
6	279641	SECTION – KONDEX COARSE, 9 SPI (25 PACK)	6	
	174845	SECTION – BUSATIS COARSE, 9 SPI (25 PACK)	6	
7	294791	KIT – 30 FT DOUBLE KNIFE <sup>60</sup>	A/R	
		<b>10.7 METER (35 FOOT)</b>		
1	279405	LEFT HEAD SEGMENT	1	
2	279431	LEFT TAIL SEGMENT	1	
3	279428	RIGHT HEAD SEGMENT <sup>58</sup>	1	
4	279433	RIGHT, TAIL SEGMENT	1	
5	129043	MACDON SPLICE KIT <sup>59</sup>	2	
6	279641	SECTION – KONDEX COARSE, 9 SPI (25 PACK)	6	
	174845	SECTION – BUSATIS COARSE, 9 SPI (25 PACK)	6	
7	294792	KIT – 35 FT DOUBLE KNIFE <sup>61</sup>	A/R	
		<b>12.2 METER (40 FOOT)</b>		
1	279405	LEFT HEAD SEGMENT	1	
1a	279406	CENTER SEGMENT (1 PER SIDE)	2	
2	279434	LEFT TAIL SEGMENT	1	
3	279428	RIGHT HEAD SEGMENT <sup>58</sup>	1	
4	279435	RIGHT, TAIL SEGMENT	1	
5	129043	MACDON SPLICE KIT <sup>59</sup>	4	
6	279641	SECTION – KONDEX COARSE, 9 SPI (25 PACK)	12	
	174845	SECTION – BUSATIS COARSE, 9 SPI (25 PACK)	12	
7	294793	KIT – 40 FT DOUBLE KNIFE <sup>62</sup>	A/R	

58. Right head segment (MD #279428) is one hole shorter on the outboard end than the factory-equipped knife.

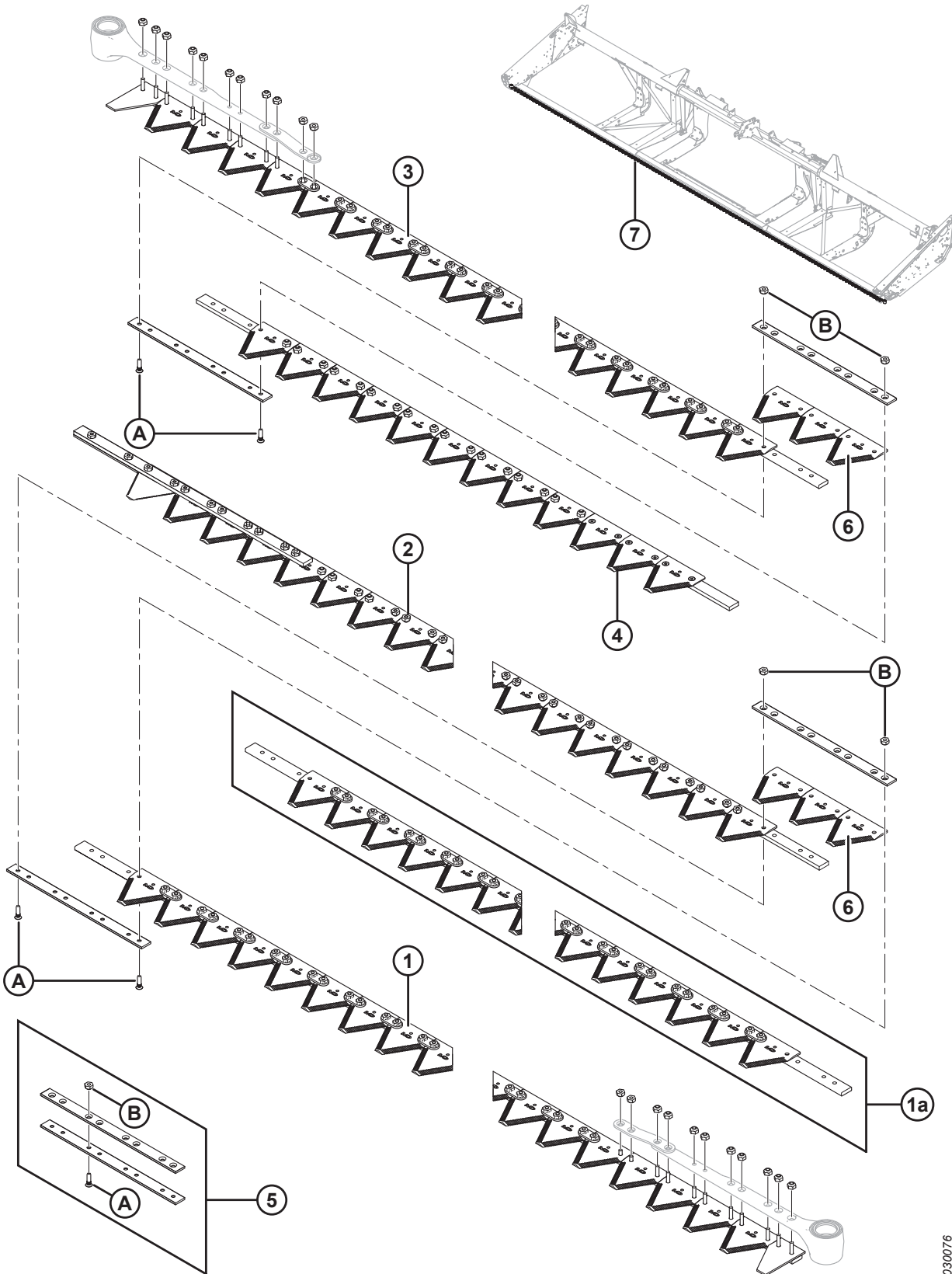
59. Includes two splice bars and hardware.

60. Kit is for complete cutterbar replacement. Kit includes left head segment (MD #279405), left tail segment (MD #279430), right head segment (MD #279428), right tail segment (MD #279432), MacDon splice kit (MD #129043), and Kondex coarse section (MD #279641).

61. Kit is for complete cutterbar replacement. Kit includes left head segment (MD #279405), left tail segment (MD #279431), right head segment (MD #279428), right tail segment (MD #279433), MacDon splice kit (MD #129043), and Kondex coarse section (MD #279641).

62. Kit is for complete cutterbar replacement. Kit includes left head segment (MD #279405), center segment (MD #279406), left tail segment (MD #279434), right head segment (MD #279428), right tail segment (MD #279435), MacDon splice kit (MD #129043), and Kondex coarse section (MD #279641).

SEGMENTED KNIVES – DOUBLE-KNIFE HEADERS, COARSE-TOOTH SECTIONS



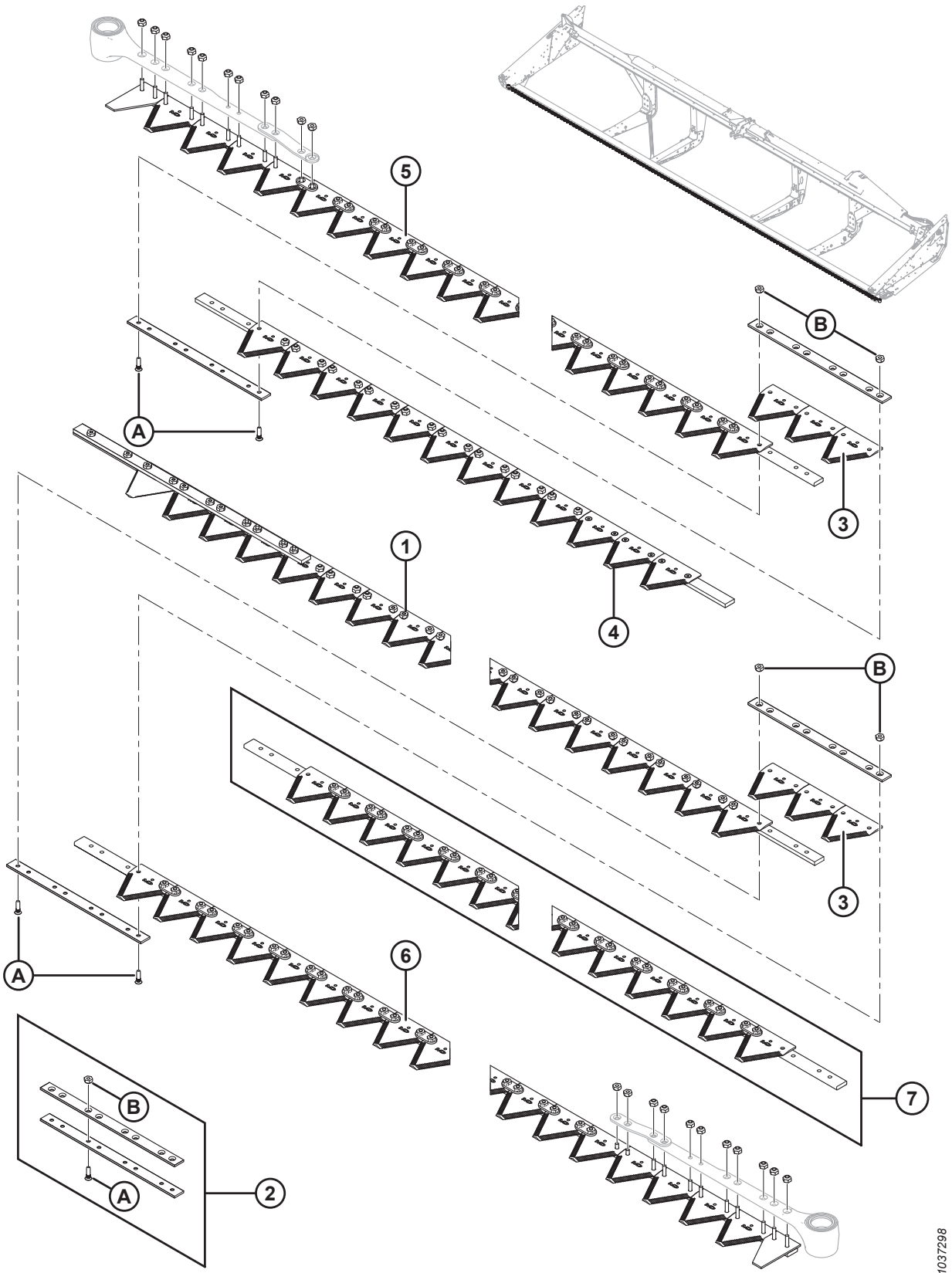
1030076

**SEGMENTED KNIVES – DOUBLE-KNIFE HEADERS, COARSE-TOOTH SECTIONS**

Ref	Part Number	Description	Qty	Serial Number
		<b>13.7 METER (45 FOOT)</b>		
1	279405	LEFT HEAD SEGMENT	1	
1a	279406	CENTER SEGMENT (1 PER SIDE)	2	
2	279436	LEFT TAIL SEGMENT	1	
3	279428	RIGHT HEAD SEGMENT <sup>58</sup>	1	
4	279437	RIGHT, TAIL SEGMENT	1	
5	129043	MACDON SPLICE KIT <sup>59</sup>	4	
6	279641	SECTION – KONDEX COARSE, 9 SPI (25 PACK)	12	
	174845	SECTION – BUSATIS COARSE, 9 SPI (25 PACK)	12	
7	294794	KIT – 45 FT DOUBLE KNIFE <sup>63</sup>	A/R	
A	129299	SCREW – 90° CSK SKT HD, #12-24 NC X 0.812 IN.		
B	135626	NUT – CSK, CENTER LOCK, #12-24 NC (50 PACK)		

63. Kit is for complete cutterbar replacement. Kit includes left head segment (MD #279405), center segment (MD #279406), left tail segment (MD #279436), right head segment (MD #279428), right tail segment (MD #279437), MacDon splice kit (MD #129043), and Kondex coarse section (MD #279641).

# 15 Segmented Knives – Double-Knife Headers, Ultra Coarse-Tooth Sections



1037298

**SEGMENTED KNIVES – DOUBLE-KNIFE HEADERS, ULTRA COARSE-TOOTH SECTIONS**

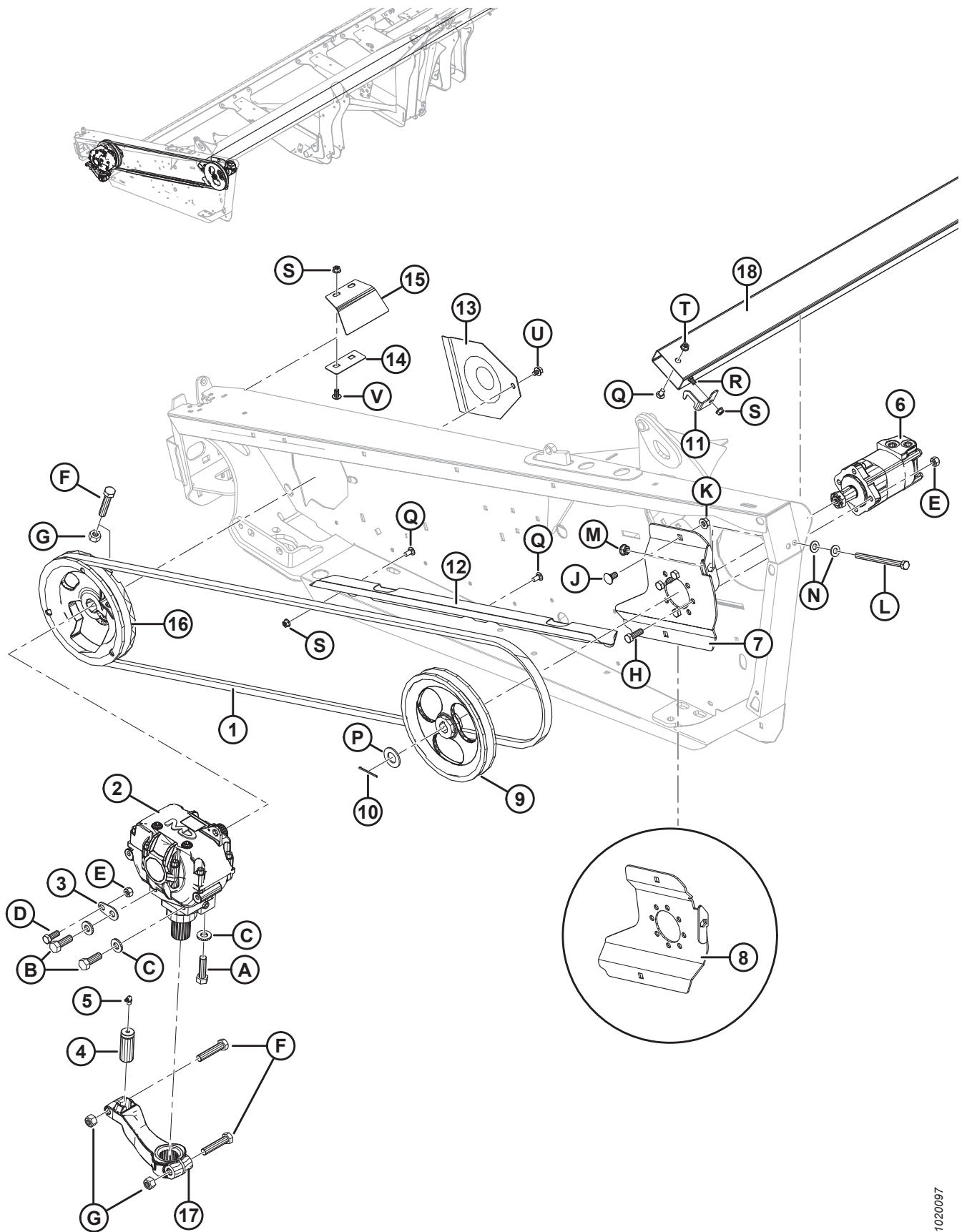
Ref	Part Number	Description	Qty	Serial Number
		<b>9.1 METER (30 FOOT)</b>		
	335509	KIT – 30 FT ULTRA COARSE DOUBLE KNIFE <sup>64</sup>		
1	335526	LEFT TAIL SEGMENT	1	
2	129043	SPLICE KIT 2 1/8 IN. <sup>65</sup>	2	
3	294947	SECTION – PACKAGE ULTRA COARSE, 4 SPI	1	
4	335522	RIGHT, TAIL SEGMENT		
5	335532	ASSEMBLY KNIFE SEG ULTRA COARSE <sup>66</sup>	1	
6	335533	ASSEMBLY KNIFE SEG ULTRA COARSE <sup>66</sup>	1	
		<b>10.7 METER (35 FOOT)</b>		
	335510	KIT – 35 FT ULTRA COARSE DOUBLE KNIFE <sup>64</sup>		
1	335529	LEFT TAIL SEGMENT	1	
2	129043	SPLICE KIT 2 1/8 IN. <sup>65</sup>	2	
3	294947	SECTION – PACKAGE ULTRA COARSE, 4 SPI	1	
4	335523	RIGHT, TAIL SEGMENT	1	
5	335532	ASSEMBLY KNIFE SEG ULTRA COARSE <sup>66</sup>	1	
6	335533	ASSEMBLY KNIFE SEG ULTRA COARSE <sup>66</sup>	1	
		<b>12.2 METER (40 FOOT)</b>		
	335511	KIT – 40 FT ULTRA COARSE DOUBLE KNIFE <sup>64</sup>		
1	335527	LEFT, TAIL SEGMENT	1	
2	129043	SPLICE KIT 2 1/8 IN. <sup>65</sup>	4	
3	294947	SECTION – PACKAGE ULTRA COARSE, 4 SPI	1	
4	335519	RIGHT, TAIL SEGMENT	1	
5	335532	ASSEMBLY KNIFE SEG ULTRA COARSE <sup>66</sup>	1	
6	335533	ASSEMBLY KNIFE SEG ULTRA COARSE <sup>66</sup>	1	
7	335534	ASSEMBLY KNIFE SEG ULTRA COARSE <sup>66</sup>	2	
		<b>13.7 METER (45 FOOT)</b>		
	335512	KIT – 45 FT ULTRA COARSE DOUBLE KNIFE <sup>64</sup>		
1	335528	LEFT, TAIL SEGMENT	1	
2	129043	SPLICE KIT 2 1/8 IN. <sup>65</sup>	2	
3	294947	SECTION – PACKAGE ULTRA COARSE, 4 SPI	1	
4	335521	RIGHT, TAIL SEGMENT	1	
5	335532	ASSEMBLY KNIFE SEG ULTRA COARSE <sup>66</sup>	1	
6	335533	ASSEMBLY KNIFE SEG ULTRA COARSE <sup>66</sup>	1	
7	335534	ASSEMBLY KNIFE SEG ULTRA COARSE <sup>66</sup>	2	
A	129299	SCREW – 90° CSK SKT HD, #12-24 NC X 0.812 IN.		
B	135626	NUT – CSK, CENTER LOCK, #12-24 NC (50 PACK)		

64. Complete knife assembly kit.

65. Includes two splice bars and hardware.

66. Includes hardware.

# 16 Knife Drive





## KNIFE DRIVE

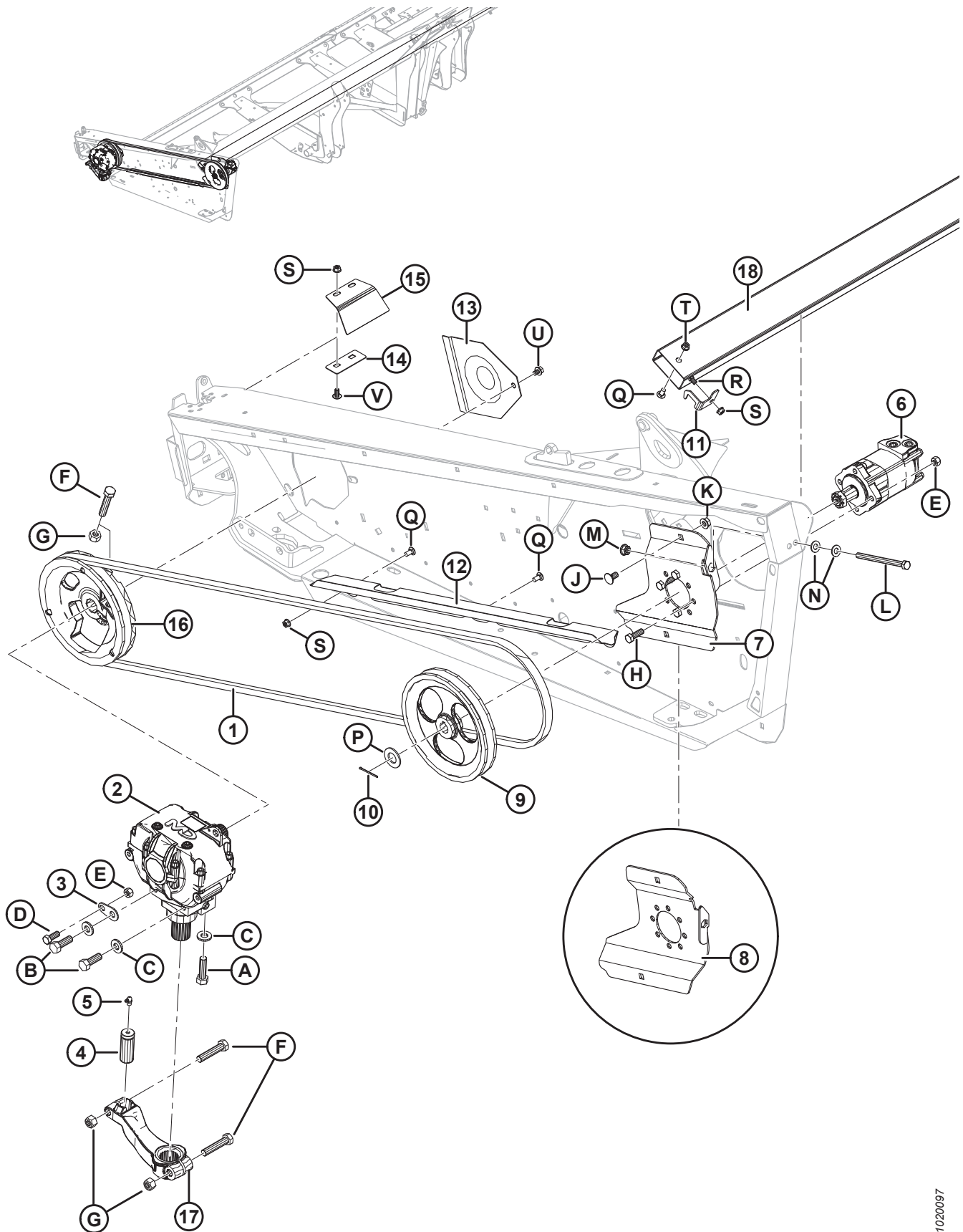
Ref	Part Number	Description	Qty	Serial Number
1	145706	BELT – SK DRIVE <sup>67</sup>	1	
2	100532	DRIVE – WOBBLE BOX <sup>68</sup>	1	
3	132033	PLATE – WOBBLE BOX LOCATING TAB <sup>67</sup>	1	
4	113229	PIN – SICKLE HEAD <sup>67</sup>	1	
5	21194	FITTING – LUBRICATION 90 DEG 1/8 NPT <sup>67</sup>	1	
6	174217	MOTOR – KNIFE DRIVE, EATON <sup>67</sup>	1	
	174304	SEAL KIT		
7	294112	BRACKET – MOTOR MOUNT, WELDT EATON	1	
8	174270	BRACKET – MOTOR MOUNT, WELDT RH DK EATON	1	
9	174215	PULLEY – SK DRIVE <sup>67</sup>	1	
10	21006	PIN – COTTER 1/8 DIA X 2.0 ZP <sup>67</sup>	1	
11	125530	BRACKET – LH KNIFE KEEPER	1	
12	245943	GUIDE – BELT <sup>67</sup>	1	
13	102509	SHIELD <sup>67</sup>	1	
14	120141	RETAINER – WOBBLE BOX SHIELD <sup>67</sup>	1	
15	120140	SHIELD – LH WOBBLE BOX MOUNT	1	
	120194	SHIELD – RH WOBBLE BOX MOUNT	1	
16	252752	PULLEY ASSY – WOBBLE BOX SK <sup>67</sup>	1	
17	174992	ARM – WOBBLE BOX DRIVE <sup>67</sup>	1	
18	220010	TUBE – KNIFE STORAGE, 25 FT <sup>69</sup>	1	
	220011	TUBE – KNIFE STORAGE, 30 FT <sup>69</sup>	1	
	220012	TUBE – KNIFE STORAGE, 35 FT <sup>69</sup>	1	
	220013	TUBE – KNIFE STORAGE, 40 FT <sup>69</sup>	1	
	125764	TUBE – KNIFE STORAGE, 40 AND 45 FT DK <sup>69</sup>	1	
A	120900	BOLT – HEX HEAD- L9 5/8-11 UNC X 2.25 LG		
B	120899	BOLT – HEX HEAD- L9 5/8-11 UNC X 1.75 LG		
C	120901	WASHER – FLAT HARDENED 5/8 IN. NOMINAL (L9)		
D	21491	BOLT – HH 1/2 NC X 1.25 LG GR 5 ZP		
E	18697	NUT – HEX LOCK DT .500-13 UNC		
F	21583	BOLT – HH 5/8 NC X 3.0 LG GR 5 ZP		
G	18666	NUT – HEX LOCK DT 5/8-11 UNC ZP		
H	18723	BOLT – HH 1/2 NC X 1.5 LG GR 5 ZP		
J	21066	BOLT – RHSN 1/2 NC X 1 GR 5 ZP		
K	50186	NUT – FLG LOCK SM FACE DT 0.500-13 UNC GR 5		
L	50226	BOLT – HH 1/2 NC X 6.5 TFL GR 5 ZP		
M	21383	NUT – FLANGE .500-13 UNC (SER FACE)		
N	18599	WASHER – SAE FLAT 17/32 I.D. X 1-1/16 IN. O.D. ZP		
P	18603	WASHER – SAE FLAT 1-1/16 I.D. X 2.0 IN. O.D. ZP		

67. On untimed double-knife drive headers, the quantity is two.

68. On untimed double-knife drive headers, the quantity is two. For repair parts, refer to Section [20 Knife Drive Box, page 53](#).

69. Located inside the round backtube of the frame.

# KNIFE DRIVE

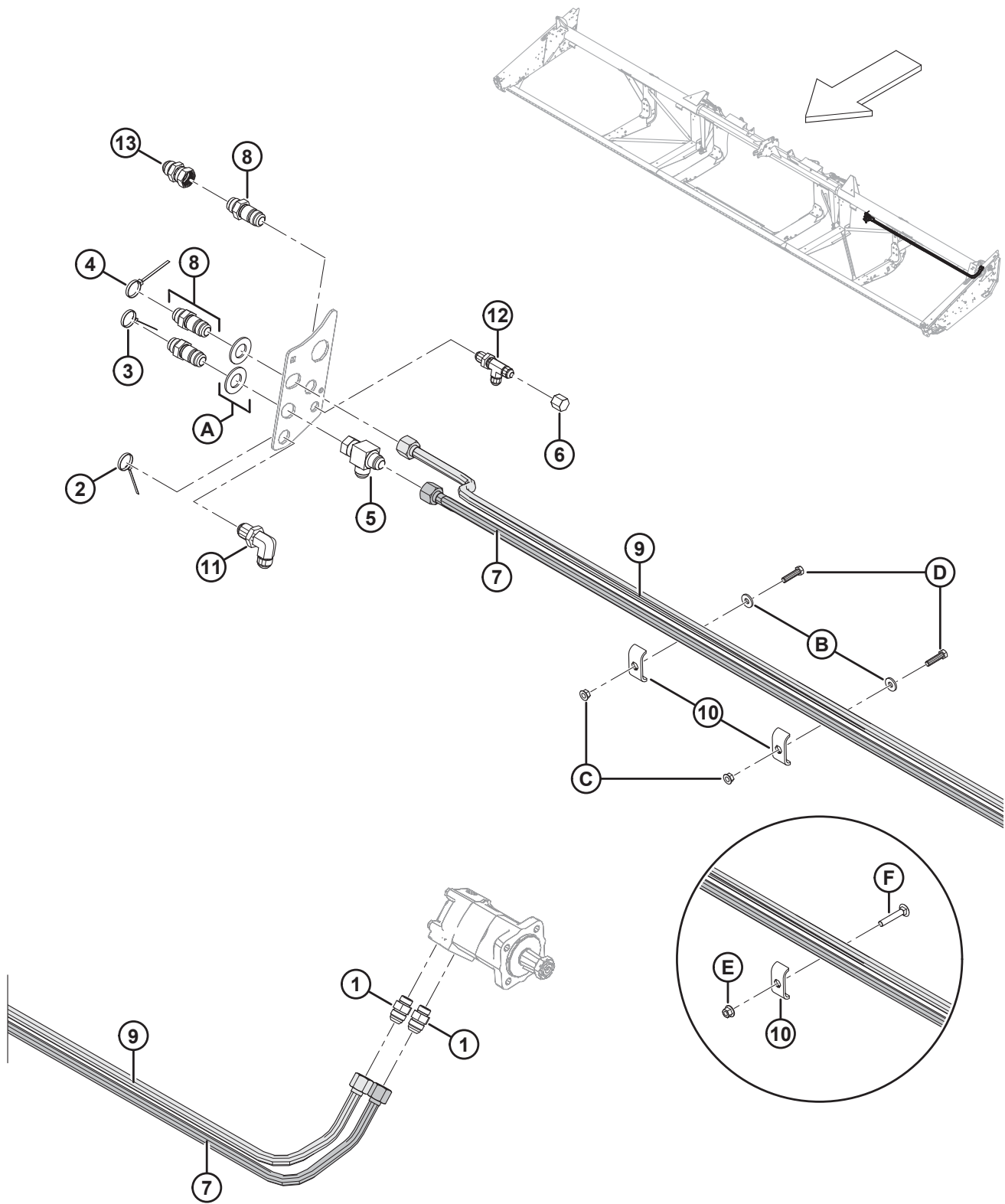


1020097

### KNIFE DRIVE

Ref	Part Number	Description	Qty	Serial Number
Q	21863	BOLT – RHSSN 3/8 NC X 0.75 LG GR 5 ZP		
R	21472	BOLT – RHSN 3/8 NC X 0.75 GR 5 ZP		
S	30228	NUT – FLANGE DT SMOOTH FACE 0.375-16 UNC		
T	21452	NUT – FLANGE (SER FACE) .375-16 UNC		
U	30693	BOLT – FLANGE (SER FACE) .375-16 UNC X 0.50 LG		
V	135157	SCREW – MACHINE		

# 17 Knife Drive Hydraulics – Single Knife (FD125, FD130, and FD135)



**KNIFE DRIVE HYDRAULICS – SINGLE KNIFE (FD125, FD130, AND FD135)**

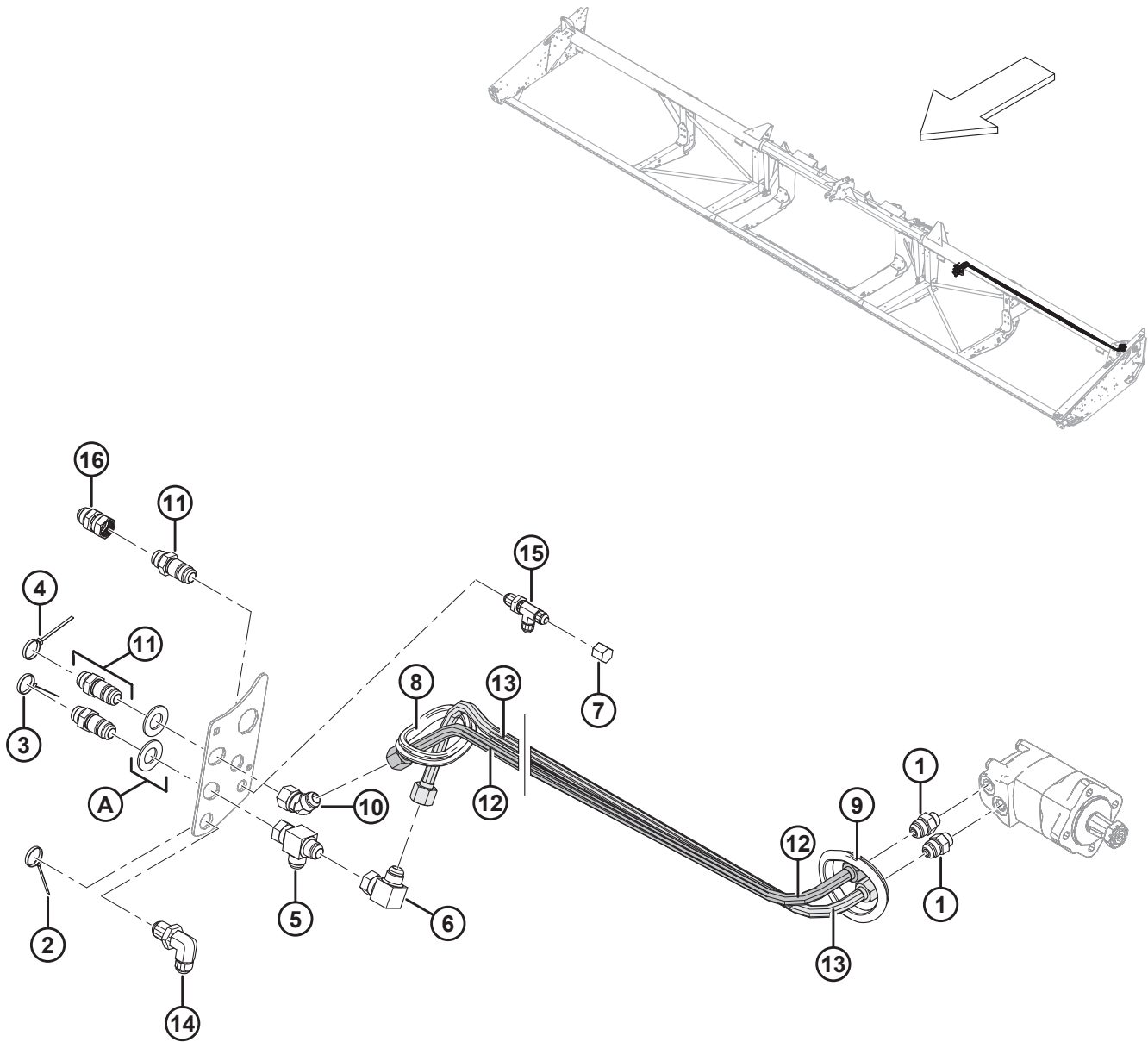
Ref	Part Number	Description	Qty	Serial Number
1	30610	FITTING – CONNECTOR HYD	2	
2	40702	FASTENER – CABLE TIE (RED)	1	
3	40703	FASTENER – CABLE TIE (BLUE)	1	
4	40704	FASTENER – CABLE TIE (ORANGE)	1	
5	50086	FITTING – HYD TEE	1	
6	108233	CAP – 1/2 IN. TUBE	1	
7	326078	LINE – 25 FT FLEX KNIFE DRIVE RETURN	1	
	132772	LINE – 30 FT FLEX KNIFE DRIVE RETURN	1	
	132900	LINE – 35 FT FLEX KNIFE DRIVE RETURN	1	
8	135372	FITTING – 3/4 IN. HYD BULKHEAD 37° FLARE UNION	3	
9	326075	LINE – 25 FT FLEX KNIFE DRIVE PRESSURE	1	
	174250	LINE – 30 FT FLEX KNIFE DRIVE PRESSURE	1	
	174251	LINE – 35 FT FLEX KNIFE DRIVE PRESSURE	1	
10	174499	HOLDER – HOSE <sup>70</sup>		
11	252210	FITTING – 3/4 IN. HYD BULKHEAD 37° FLARE UNION 90	1	
12	252211	FITTING – 1/2 IN. HYD BULKHEAD 37° FLARE RUN TEE	1	
13	252414	FITTING – EXTENDER-EXPANDER 12-12	1	
A	18603	WASHER – SAE FLAT 1-1/16 I.D. X 2.0 IN. O.D. ZP		
B	20535	WASHER – FLAT <sup>71</sup>		
C	21452	NUT – FLANGE (SER FACE) .375-16 UNC <sup>71</sup>		
D	21561	BOLT – HH 3/8 NC X 1.5 LG GR 5 ZP <sup>71</sup>		
E	136441	NUT – HEX SER FLG M10 X 1.5-8-AA1J <sup>72</sup>		
F	136113	BOLT – RHSN M10 X 1.5 X 60-8.8-AA1J <sup>72</sup>		

70. Quantities: FD125 = 1, FD130 and FD135 = 2.

71. FD130 and FD135 only.

72. FD125 only.

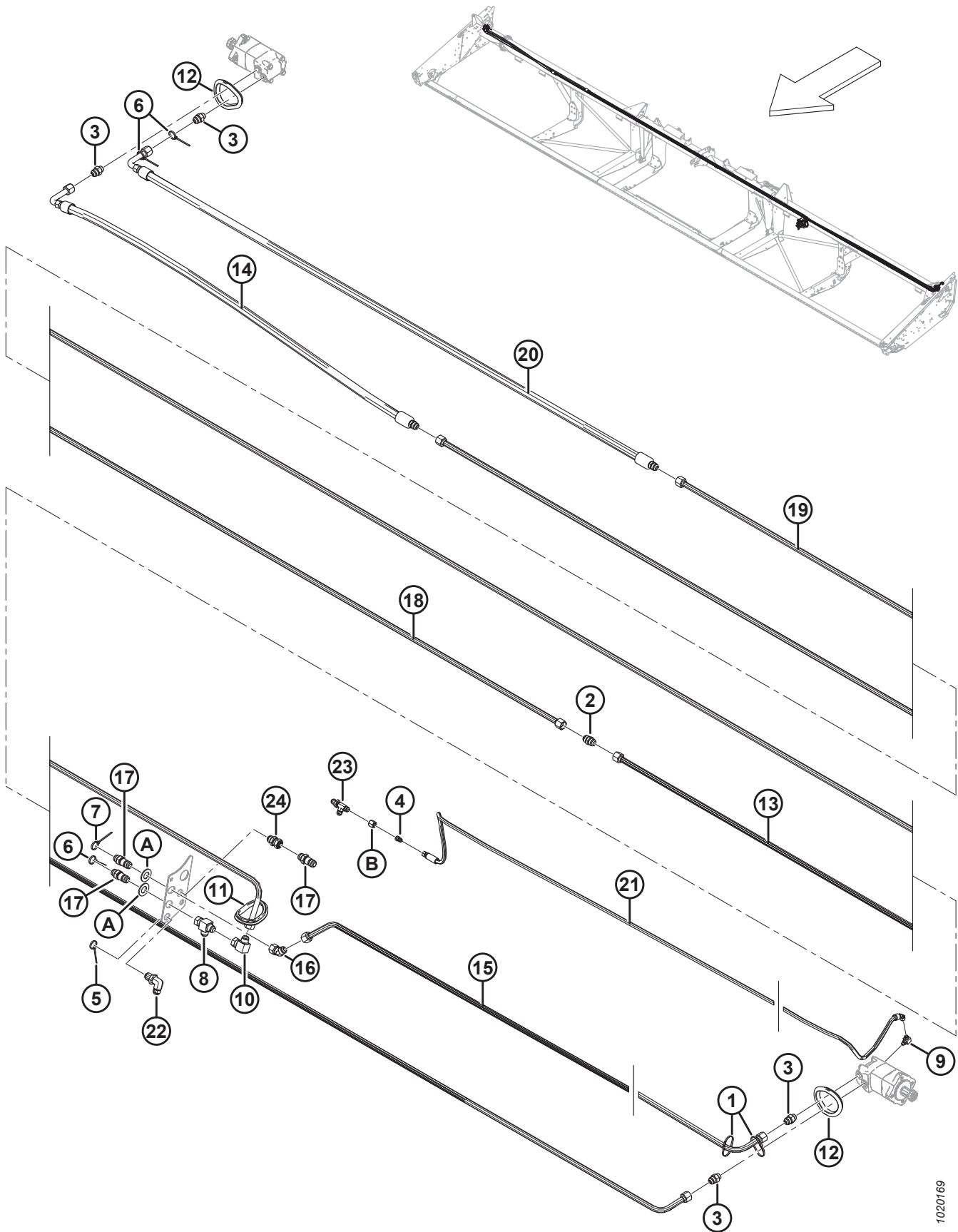
# 18 Knife Drive Hydraulics – Single Knife (FD140)



**KNIFE DRIVE HYDRAULICS – SINGLE KNIFE (FD140)**

<b>Ref</b>	<b>Part Number</b>	<b>Description</b>	<b>Qty</b>	<b>Serial Number</b>
1	30610	FITTING – CONNECTOR HYD	2	
2	40702	FASTENER – CABLE TIE (RED)	1	
3	40703	FASTENER – CABLE TIE (BLUE)	1	
4	40704	FASTENER – CABLE TIE (ORANGE)	1	
5	50086	FITTING – HYD TEE	1	
6	50175	FITTING – ELBOW 90° HYD	1	
7	108233	CAP – 1/2 IN. TUBE	1	
8	125377	GROMMET – 91 MM I.D.	1	
9	125722	GROMMET – 90 MM I.D.	2	
10	135240	FITTING – ELBOW 45° HYD	1	
11	135372	FITTING – 3/4 IN. HYD BULKHEAD 37° FLARE UNION	3	
12	174254	LINE – 40 FT FLEX SK KNIFE DRIVE PRESSURE	1	
13	174257	LINE – 40 FT FLEX SK KNIFE DRIVE RETURN	1	
14	252210	FITTING – 3/4 IN. HYD BULKHEAD 37° FLARE UNION 90	1	
15	252211	FITTING – 1/2 IN. HYD BULKHEAD 37° FLARE RUN TEE	1	
16	252414	FITTING – EXTENDER-EXPANDER 12-12	1	
A	18603	WASHER – SAE FLAT 1-1/16 I.D. X 2.0 IN. O.D. ZP		

# 19 Knife Drive Hydraulics – Double Knife (FD140 and FD145)



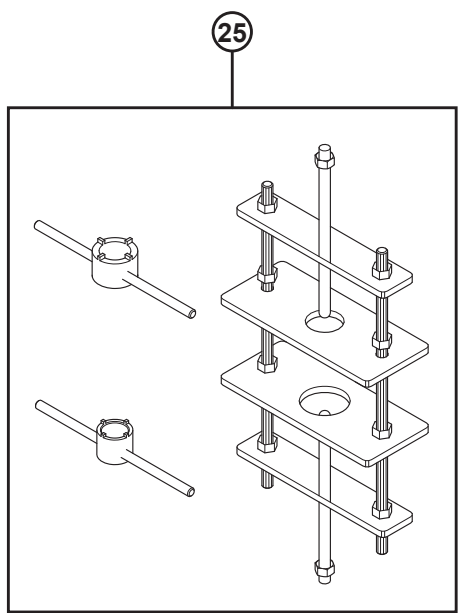
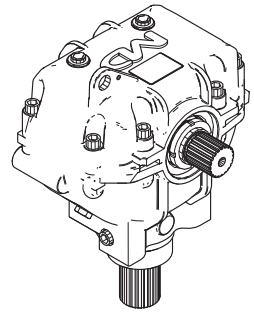
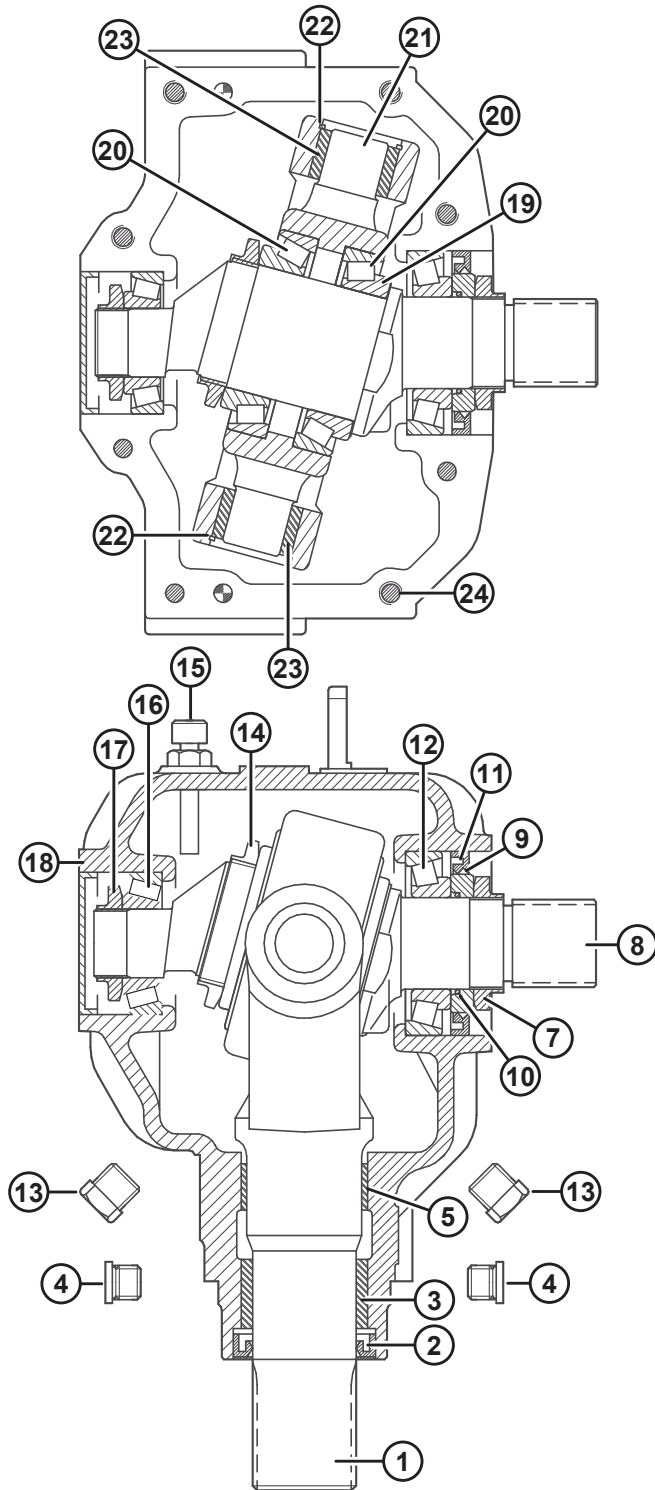
1020169



**KNIFE DRIVE HYDRAULICS – DOUBLE KNIFE (FD140 AND FD145)**

<b>Ref</b>	<b>Part Number</b>	<b>Description</b>	<b>Qty</b>	<b>Serial Number</b>
1	21763	FASTENER – CABLE TIE (BLACK)	2	
2	30376	FITTING – UNION HYD	1	
3	30610	FITTING – CONNECTOR HYD	4	
4	30981	FITTING – ADAPTER HYD REDUCER 1/2 X 3/8	1	
5	40702	FASTENER – CABLE TIE (RED)	1	
6	40703	FASTENER – CABLE TIE (BLUE)	3	
7	40704	FASTENER – CABLE TIE (ORANGE)	1	
8	50086	FITTING – HYD TEE	1	
9	50104	FITTING – ELBOW 90° HYD	1	
10	50175	FITTING – ELBOW 90° HYD	1	
11	125377	GROMMET – 91 MM I.D.	1	
12	125722	GROMMET – 90 MM I.D.	3	
13	125670	LINE – DOUBLE KNIFE DRIVE LH TO RH MOTOR	1	
14	125672	HOSE – HYD, 40 FT DK CONNECTOR TO RH MOTOR	1	
	165294	HOSE – HYD, 45 FT DK TO/FROM RH MOTOR	1	
15	125777	LINE – 40 FT KNIFE DRIVE PRESSURE	1	
	125780	LINE – 45 FT KNIFE DRIVE PRESSURE	1	
16	135240	FITTING – ELBOW 45° HYD	1	
17	135372	FITTING – 3/4 IN. HYD BULKHEAD 37° FLARE UNION	3	
18	165297	LINE – CONNECTOR	1	
19	174253	LINE – DOUBLE KNIFE DRIVE RH MOTOR RETURN	1	
20	174256	HOSE – HYD, 40 FT DK RH MOTOR RETURN	1	
	165294	HOSE – HYD, 45 FT DK TO/FROM RH MOTOR	1	
21	174300	HOSE – 40 FT CASE DRAIN	1	
	174299	HOSE – 45 FT CASE DRAIN	1	
22	252210	FITTING – 3/4 IN. HYD BULKHEAD 37° FLARE UNION 90	1	
23	252211	FITTING – 1/2 IN. HYD BULKHEAD 37° FLARE RUN TEE	1	
24	252414	FITTING – EXTENDER-EXPANDER 12-12	1	
A	18603	WASHER – SAE FLAT 1-1/16 I.D. X 2.0 IN. O.D. ZP		
B	21069	NUT – TUBE 37° JIC 1/2 IN.		

# 20 Knife Drive Box



1016902

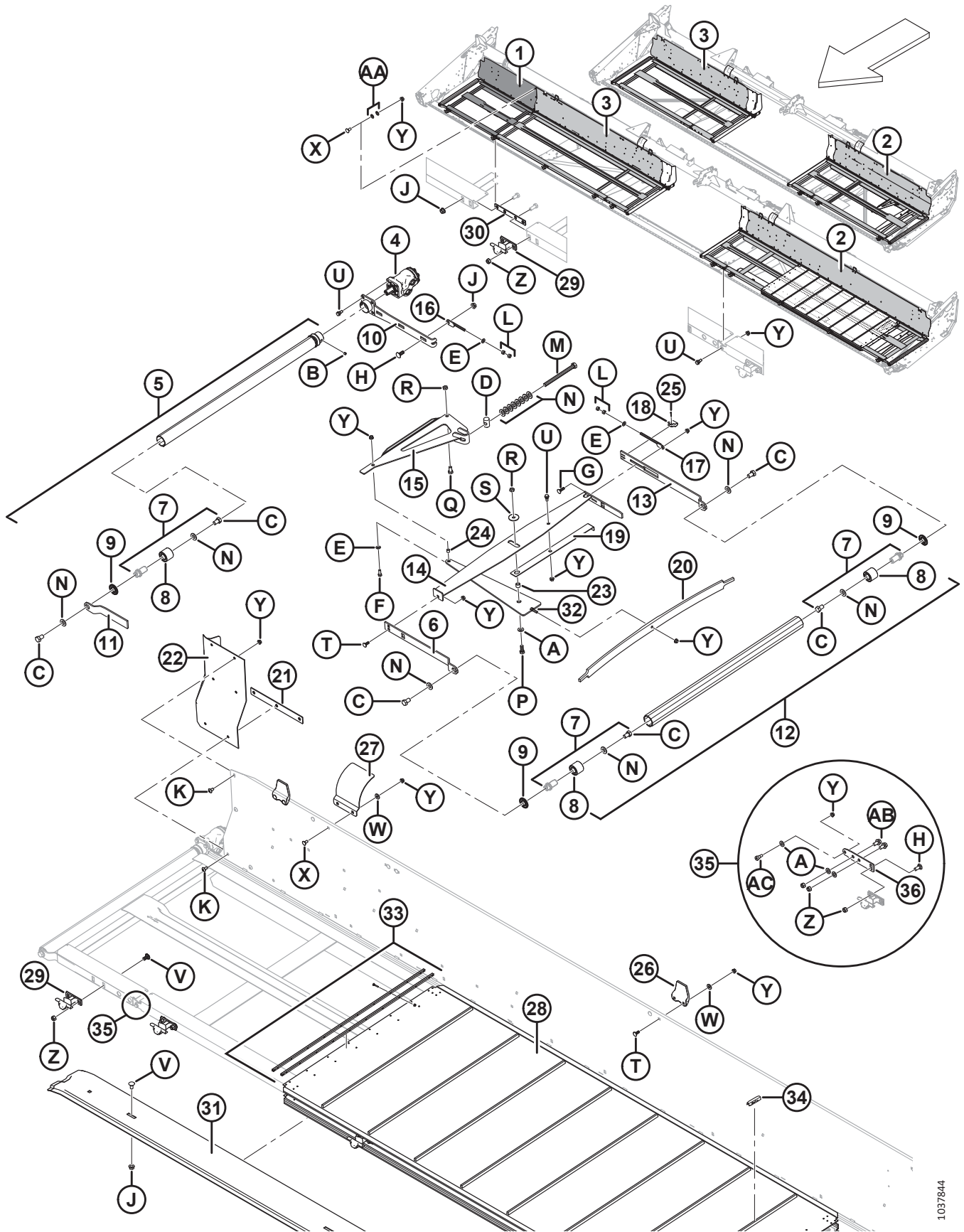
**KNIFE DRIVE BOX**

**NOTE:**

Apply retaining compound (Loctite® 603 or equivalent) to output yoke (MD #100706) and input shaft (MD #100710) before assembly.

<b>Ref</b>	<b>Part Number</b>	<b>Description</b>	<b>Qty</b>	<b>Serial Number</b>
	100532	DRIVE – SICKLE, COMPLETE	1	
1	100706	YOKE – OUTPUT	1	
2	100707	SEAL – OIL, OUTPUT SHAFT	1	
3	100708	BUSHING – BRONZE	1	
4	252423	PLUG – HEX SOCKET	2	
5	100726	BUSHING – STEEL	1	
7	100709	NUT – SPECIAL	1	
8	100710	SHAFT – INPUT	1	
9	102629	SPACER – 60 MM O.D.	1	
10	100712	O-RING	1	
11	102630	SEAL – OIL, INPUT SHAFT, 60 MM I.D.	1	
12	100714	BEARING ASSEMBLY – CUP AND CONE	1	
13	103096	PLUG – OIL DRAIN	2	
14	100715	NUT – LOCK, M55 X 2 IN.	1	
15	100716	PLUG – BREATHER, C/W DIPSTICK	1	
16	100717	BEARING ASSEMBLY – CUP AND CONE	1	
17	100718	NUT – LOCK, M30 X 1.5 IN.	1	
18	100719	CAP – DUST	1	
19	113152	SHIM – INPUT SHAFT	1	
20	100720	BEARING ASSEMBLY – CUP AND CONE	2	
21	100721	PIVOT	1	
22	100722	RING – RETAINING, INTERNAL	2	
23	100723	BUSHING – BRONZE	2	
24	113153	BOLT – SOCKET HEAD, M10 X 50 MM	8	
25	139003	TOOL KIT – SICKLE DRIVE BOX DISASSEMBLY/ASSEMBLY	A/R	

## 21 Draper Carrier Deck and Tensioner



1037844

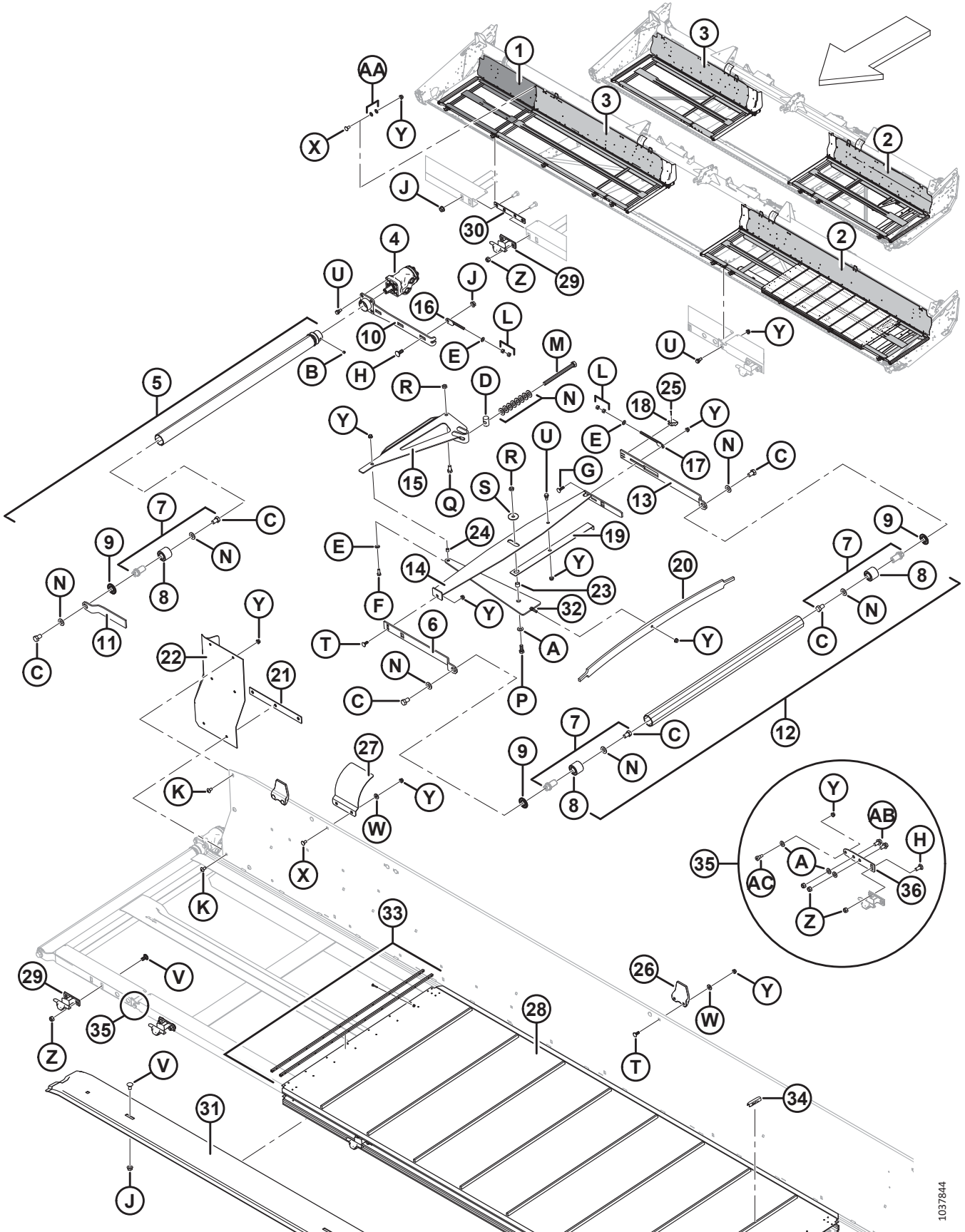
**DRAPER CARRIER DECK AND TENSIONER**

Ref	Part Number	Description	Qty	Serial Number
1	245042	DECK WELDT – OUTER (FD140 RH)	1	
	125602	DECK WELDT – OUTER (FD145 LH)	1	
	125607	DECK WELDT – OUTER (FD145 RH)	1	
2	326165	DECK WELDT – 25 FT LH FLEX C/W DECAL	1	
	123950	DECK WELDT – 30 FT LH FLEX C/W DECAL	1	
	123952	DECK WELDT – 35 FT LH FLEX C/W DECAL	1	
	123954	DECK WELDT – 40 FT LH FLEX C/W DECAL	1	
	123957	DECK WELDT – 45 FT LH FLEX C/W DECAL	1	
3	326166	DECK WELDT – 25 FT RH FLEX C/W DECAL	1	
	123951	DECK WELDT – 30 FT RH FLEX C/W DECAL	1	
	123953	DECK WELDT – 35 FT RH FLEX C/W DECAL	1	
	123955	DECK WELDT – 40 FT RH FLEX C/W DECAL	1	
	123956	DECK WELDT – 40 FT RH FLEX SPLIT (INNER) / 45 FT RH FLEX C/W DECAL	1	
4	220936	MOTOR – HYD DANFOSS 2.44 CI	2	
	220944	SEAL KIT		
	123306	KEY – WOODRUFF (1/4 X 1 NOM)		
5	255383	ASSY – RUBBER ROLLER W/ SCREWS <sup>73</sup>	2	
6	145106	ARM – ROLLER SUPPORT	2	
7	165735	PIN ASSY – DRAPER ROLLER	6	
8	132607	BEARING – DOUBLE ROW BALL 52 OD X 25 BORE	6	
9	120845	SEAL	6	
10	253160	ARM – WELDT	2	
11	145148	ARM – LH ROLLER SUPPORT	1	
	120058	ARM – RH ROLLER SUPPORT	1	
12	174714	IDLER ROLLER ASSY <sup>74</sup>	2	
13	145122	ARM SUPPORT REAR	2	
14	220183	MEMBER – LH STABILIZER WELDT	1	
	220184	MEMBER – RH STABILIZER WELDT	1	
15	220181	BELL CRANK WELDT	2	
16	145593	ROD – ADJUSTER WELDT	2	
17	145345	ROD – ADJUSTER WELDT	2	
18	145357	LOOP – IDLER ARM	2	
19	145428	INDICATOR	2	
21	145548	LEAF SPRING – TENSIONER	2	
21	304783	BAR WELDT	2	
22	125588	EXTENSION LH – BACKSHEET	1	
	125589	EXTENSION RH – BACKSHEET	1	
23	132531	SPACER	2	
24	132532	SPACER	2	
25	18604	PIN – COTTER 3/32 DIA X 3/4 ZP	2	

73. Includes steel disk seal (MD #120845), draper roller pin assembly (MD #165735), and two set screws (MD #132451).

74. Includes steel disk seal (MD #120845) and draper roller pin assembly (MD #165735).

DRAPER CARRIER DECK AND TENSIONER



1037844

**DRAPER CARRIER DECK AND TENSIONER**

Ref	Part Number	Description	Qty	Serial Number
26	145840	GUIDE – BACKSHEET <sup>75</sup>	4	
27	125294	SHIELD – FLEX BACKTUBE JUNCTION	2	
28	220636	DRAPER – 25 FT, WCCO	2	
	172194	DRAPER – 25 FT, LEGG (OPTION)	2	
	172195	DRAPER – 30 FT LEGG	2	
	220637	DRAPER – 30FT, WCCO (OPTION)	2	
	172196	DRAPER – 35 FT LEGG	2	
	220638	DRAPER – 35FT, WCCO (OPTION)	2	
	220639	DRAPER – 40 FT WCCO	2	
	172197	DRAPER – 40 FT, LEGG (OPTION)	2	
	220640	DRAPER – 45 FT WCCO	2	
	172198	DRAPER – 45 FT, LEGG (OPTION)	2	
	220642	DRAPER – 150 FT BULK ROLL	A/R	
	220641	DRAPER – REPAIR KIT <sup>76</sup>	A/R	
29	120009	SUPPORT – DECK (CASTING) <sup>77</sup>	8	
30	132692	BAR – WELDT <sup>78</sup>	1	
31	220387	SUPPORT – LOWER DRAPER TRACK, 30 FT FLEX	2	
	220384	SUPPORT – LOWER DRAPER TRACK, 35 FT FLEX	2	
	220264	SUPPORT – LOWER DRAPER TRACK, 40 FT FLEX / 35 FT RIGID	2	
	220262	SUPPORT – LOWER DRAPER TRACK, 45 FT FLEX	2	
32	120462	MEMBER – COMPRESSION WELDT	2	
33	132777	KIT – SLAT CONNECTOR	A/R	
	172710	KIT – DRAPER CONNECTOR HARDWARE	A/R	
34	294858	DRAPER CLIPS – TAPER CLEAT, 25 PACK <sup>79</sup>	A/R	
	294859	DRAPER CLIPS – SQUARE CLEAT, 25 PACK <sup>79</sup>	A/R	
35	304316	KIT – FLEX HINGE REPAIR <sup>80</sup>	A/R	
36	304263	HINGE – FLEX DECK FRAME LH	1	
	304317	HINGE – FLEX DECK FRAME RH	1	
A	18599	WASHER – SAE FLAT 17/13 I.D. X 1-1/16 IN. O.D. ZP		
B	132451	SCREW – SET HEX SOC CUP PT 3/8 NC X 3/8 LG		
C	145249	BOLT – HH 5/8 NF X 1.0 LG GR 5 ZP		
D	145361	NUT – SPECIAL		
E	18598	WASHER – SAE FLAT 13/32 I.D. X 13/16 IN. O.D. ZP		
F	20077	BOLT – HEX HD 3/8 NC X 1.0 LG GR 5 ZP		
G	19966	BOLT – RHSN 3/8 NC X 1.25 LG GR 5 ZP		
H	21471	BOLT – RHSN 1/2 NC X 1.25 GR 5 ZP		

75. Quantity is 3 for FD140 flex-split and 2 for FD145.

76. Includes 20-inch draper material and two connector slats.

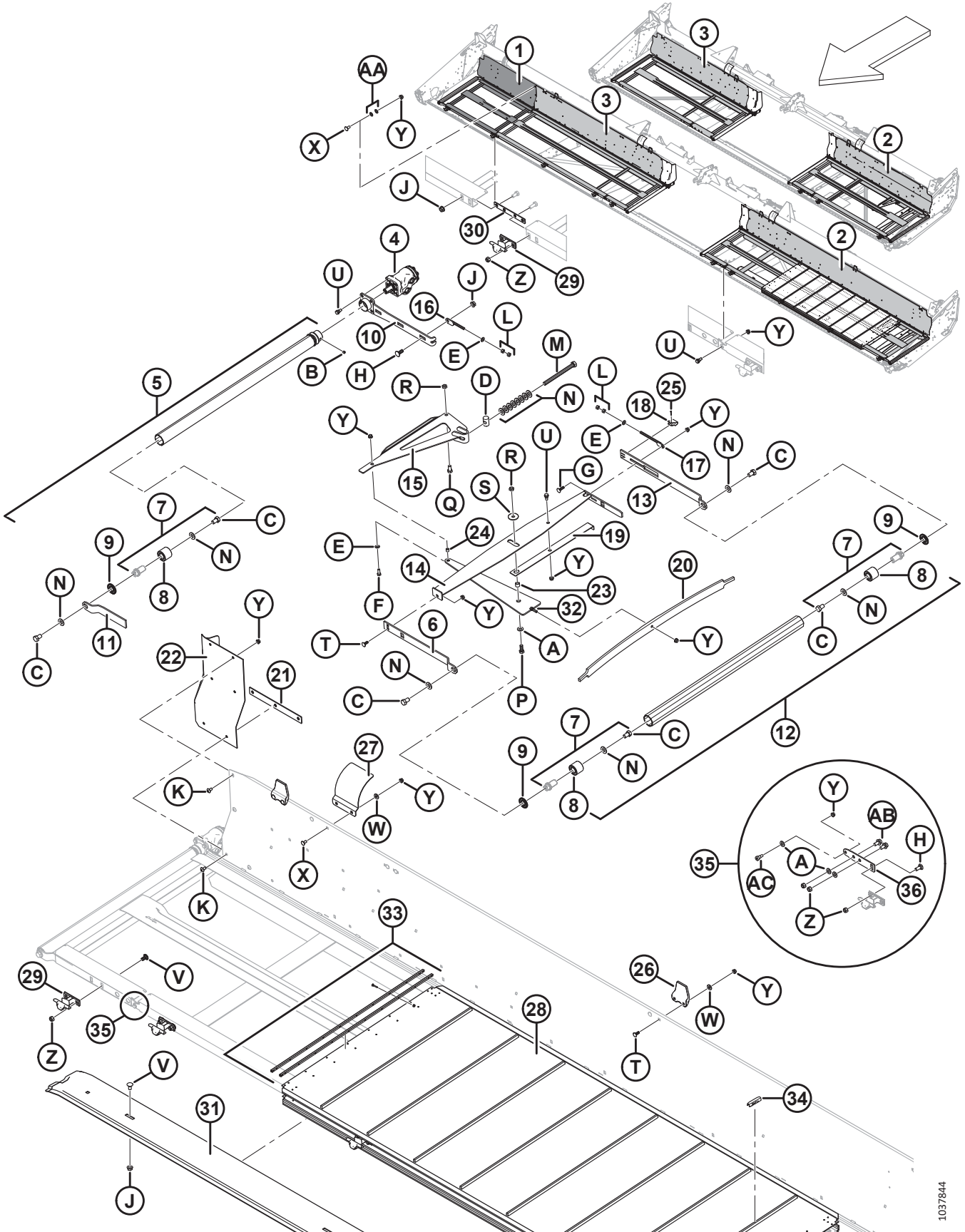
77. Quantity is 6 for FD125, 10 for FD140, and 12 for FD145.

78. Used on FD140 flex split and FD145 flex only. Quantity: one for FD140 flex split and two for FD145 flex.

79. Kit includes 25 clips (NSS) and instructions.

80. Kit includes RH hinge (MD #304317), LH hinge (MD #304263), and hardware.

DRAPER CARRIER DECK AND TENSIONER



1037844

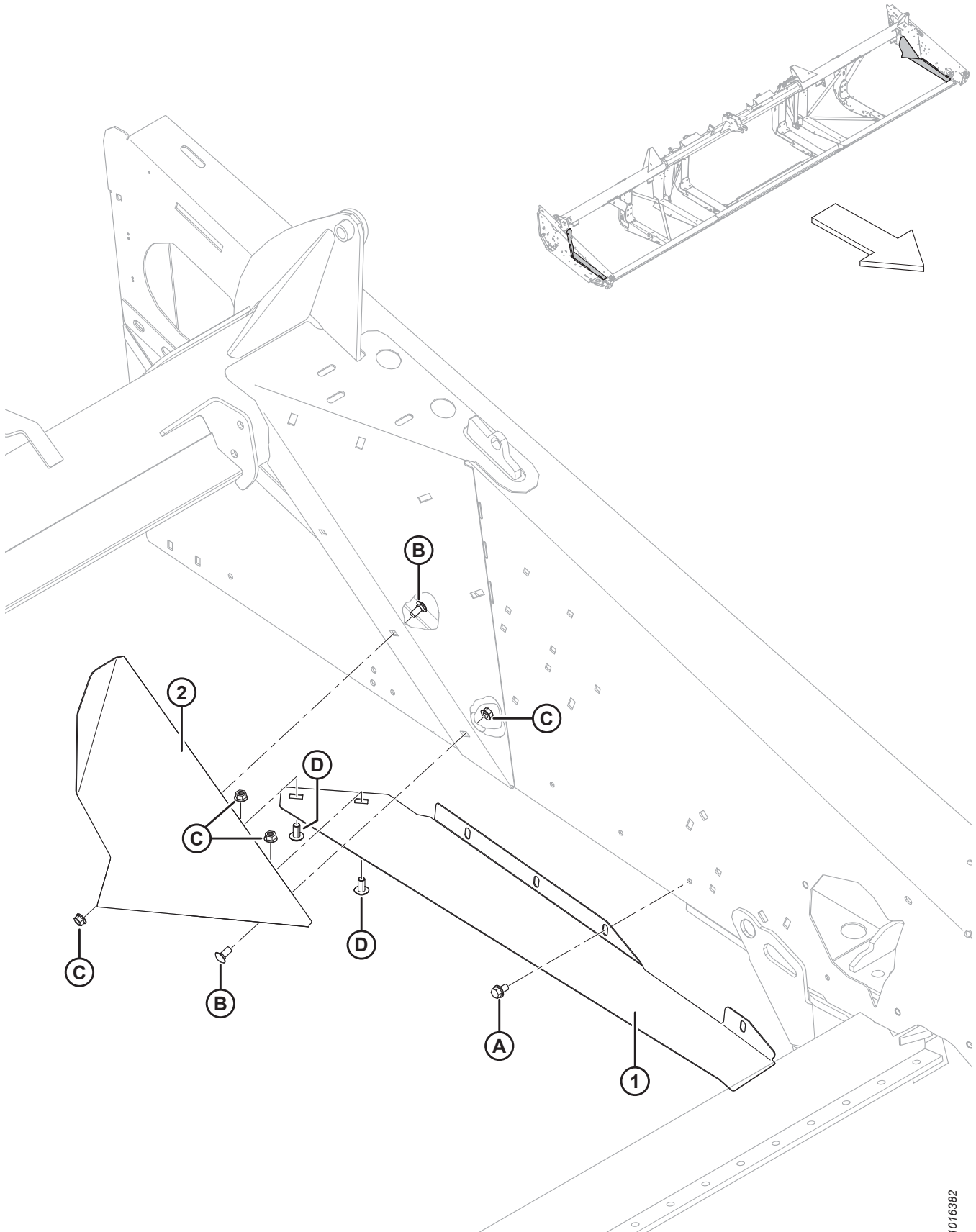


**DRAPER CARRIER DECK AND TENSIONER**

<b>Ref</b>	<b>Part Number</b>	<b>Description</b>	<b>Qty</b>	<b>Serial Number</b>
J	50186	NUT – FLG LOCK SM FACE DT 0.500-13 UNC GR 5		
K	135157	SCREW – MACHINE		
L	18590	NUT – HEX 3/8-16 UNC GR 5 ZP		
M	135906	BOLT – HH 5/8 NC X 7.5 LG TFL GR 5 ZP		
N	30441	WASHER – HARDENED		
P	21491	BOLT – HH 1/2 NC X 1.25 LG GR 5 ZP		
Q	21575	BOLT – HH 1/2 NC X 1.0 LG GR 5 ZP		
R	137727	NUT – HEX JAM DT 1/2-13 UNC GR 5 ZP		
S	42592	WASHER – FLAT		
T	19965	BOLT – RHSN 3/8 NC X 1.0 GR 5 ZP		
U	172259	BOLT – SHOULDER .375-16 UNC		
V	21066	BOLT – RHSN 1/2 NC X 1 GR 5 ZP		
W	20535	WASHER – FLAT		
X	21863	BOLT – RHSSN 3/8 NC X 0.75 LG GR 5 ZP		
Y	30228	NUT – FLANGE DT SMOOTH FACE 0.375-16 UNC		
Z	18697	NUT – HEX LOCK DT .500-13 UNC		
AA	172363	WASHER – BELLEVILLE 3/8 <sup>81</sup>		
AB	21449	BOLT – HEX FLG HD 1/2-13 X 1 GR5-AA1J		
AC	320031	SCREW – HEX SOC HD SHLDR 1/2-3/8-GR8-ZINC		

81. FD140 and FD145 only.

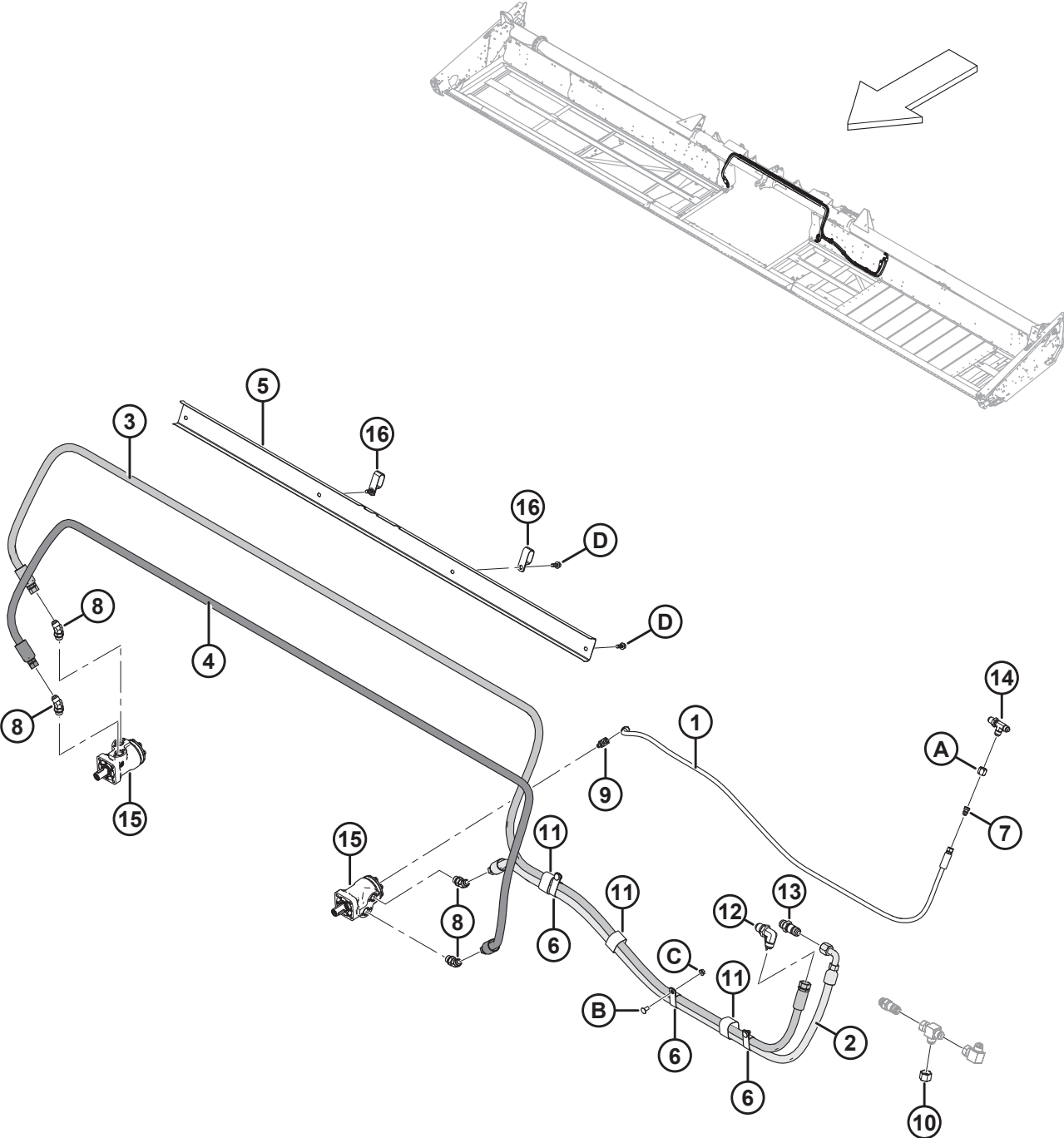
# 22 Draper Deflectors



**DRAPER DEFLECTORS**

<b>Ref</b>	<b>Part Number</b>	<b>Description</b>	<b>Qty</b>	<b>Serial Number</b>
1	304257	DEFLECTOR – ANGLE, LH	1	
	304258	DEFLECTOR – ANGLE, RH	1	
2	125741	DEFLECTOR – LH	1	
	125742	DEFLECTOR – RH	1	
A	101898	SCREW – HEX WASH HD THD ROLLING 3/8 NC X 5/8		
B	21863	BOLT – RHSSN 3/8 NC X 0.75 LG GR 5 ZP		
C	30228	NUT – FLANGE DT SMOOTH FACE 0.375-16 UNC		
D	135157	SCREW – MACHINE		

# 23 Draper Drive – Manual Deck Shift



**DRAPER DRIVE – MANUAL DECK SHIFT**

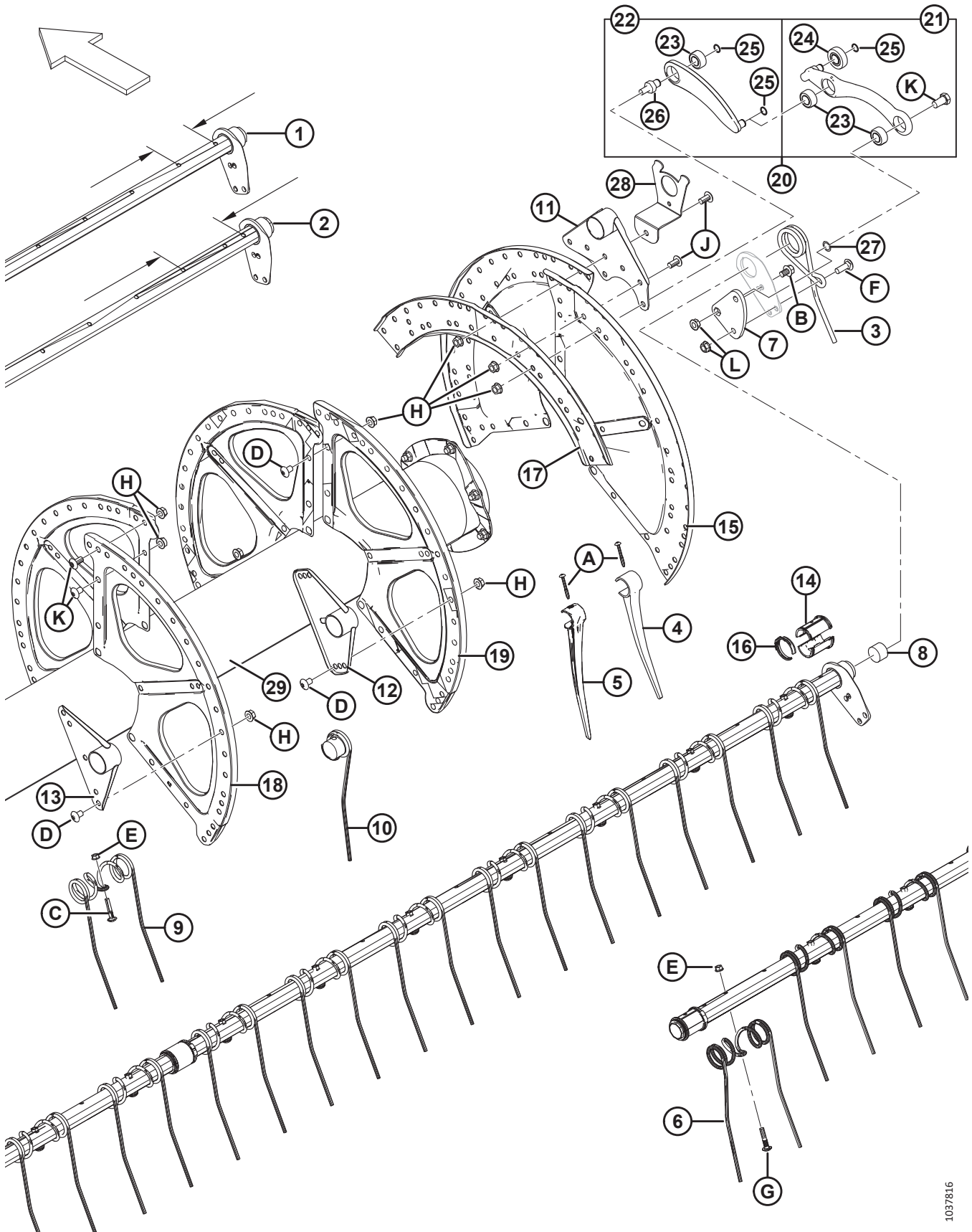
Ref	Part Number	Description	Qty	Serial Number
	295691	KIT – FM100 ON FD75 <sup>82</sup>		
1	245590	HOSE – HYD, 1/4 IN. I.D., 1810 MM LG, METAL REIN.	1	
2	279284	HOSE – HYD, 5/8 IN. I.D., 1840 MM LG, METAL REIN.	1	
3	279285	HOSE – HYD, 5/8 IN. I.D., 4770 MM LG, METAL REIN.	1	
4	279286	HOSE – HYD, 5/8 IN. I.D., 3440 MM LG, METAL REIN.	1	
5	304031	HOLDER – HOSES	1	
6	252942	CLAMP – INSULATED 1 INCH	3	
7	30981	FITTING – ADAPTER HYD REDUCER 1/2 X 3/8	1	
8	50103	FITTING – ELBOW 45° HYD CW O-RING	4	
9	50104	FITTING – ELBOW 90° HYD	1	
10	30999	CAP – 3/4 IN. TUBE 37° FLARE	1	
11	135443	FASTENER – CINCH STRAP 4 IN. LG	3	
12	252210	FITTING – 3/4 IN. HYD BULKHEAD 37° FLARE UNION 90	1	
13	135372	FITTING – 3/4 IN. HYD BULKHEAD 37° FLAIR UNION	1	
14	252211	FITTING – 1/2 IN. HYD BULKHEAD 37° FLARE RUN TEE	1	
15	REF	MOTOR – HYD <sup>83</sup>		
16	50022	CLAMP – INSULATED 15/16 INCH <sup>84</sup>	2	
A	21069	NUT – TUBE 37° JIC 1/2 IN.		
B	21863	BOLT – RHSSN 3/8 NC X 0.75 LG GR 5 ZP		
C	30228	NUT – FLANGE DT SMOOTH FACE 0.375-16 UNC		
D	21975	BOLT – HEX FLG SER HD 3/8-16 X 1.0 GR 5 - AA1J		

82. Flex header conversion kit for installing an FM100 in a FD75. Kit includes all listed parts.

83. Refer to Section [21 Draper Carrier Deck and Tensioner](#), page 55.

84. For FD125 headers only; secures the reel hoses to the back of hose holder (MD #304301).

# 24 Pick-Up Reel – Single-Reel Headers (FD125)



## PICK-UP REEL – SINGLE-REEL HEADERS (FD125)

### IMPORTANT:

Quantities for narrow (#1) and wide (#2) stagger tine tubes vary; Narrow stagger = 120 mm / Wide stagger = 196 mm. See illustration the for measurement location.

### NOTE:

Quantities listed are for 6/9 bat.

Ref	Part Number	Description	Qty 6/9 Bat	Serial Number
	B6981	KIT – 25FT SR TINE TUBE CONV, 6–9 BAT PLASTIC FINGERS <sup>85</sup>		
1	326207	TINE TUBE – 25 FT FLEX, NARROW	3/5	
2	326208	TINE TUBE – 25 FT FLEX, WIDE	3/5	
3	245084	FINGER – CAM END	6/9	
4	174849	FINGER – PLASTIC HEAVY DUTY (10 PACK) <sup>86</sup>		
5	311524	FINGER – PLASTIC, LH, ANGLED 52 MM (10 PACK)	6/9	
6	137971	FINGER – DOUBLE RH REEL TAIL END <sup>87</sup>		
7	137285	ARM – CRANK MACHINING	6/9	
8	137980	PLUG – TINE TUBE	12/18	
9	137092	FINGER <sup>88</sup>		
10	137754	FINGER – SINGLE CONCENTRIC (RH) <sup>89</sup>		
11	137506	ARM WELDT – CAM END	6/9	
12	137535	ARM WELDT	18/27	
13	137543	ARM WELDT – TAIL END	6/9	
14	220939	BUSHING HALF – TINE TUBE (25 PACK) <sup>90</sup>		
15	137536	SECTOR – CAM END, 14 GA	3/3	
16	220941	CLAMP – TINE TUBE BUSH, CENTER RIB (5 PACK) <sup>91</sup>		
17	137532	CHANNEL – CAM DISC	3/3	
18	137142	SECTOR – TAIL END, 16 GA <sup>92</sup>	3/3	
19	137277	SECTOR – MID-SPAN, 18 GA	9/9	
20	304955	ARM – CAM CONTROL LINKAGE <sup>93</sup>	6/9	
21	311617	ARM – TINE CONTROL ASSEMBLY <sup>94</sup>	6/9	
22	311615	ARM – ASSEMBLY <sup>95</sup>	6/9	
23	273347	BEARING	18/27	

85. Kits available through Whole Goods only.

86. Quantities: 6 Bat plastic = 297; 9 Bat plastic = 444.

87. Quantities: 6 Bat steel = 6.

88. Quantities: 6 Bat steel = 138.

89. Quantities: 6 Bat steel = 9.

90. Includes 25 tine tube bushings. Quantities: 6 Bat steel and plastic = 60; 9 Bat plastic = 90.

91. Quantities: 6 Bat steel and plastic = 30; 9 Bat plastic = 45.

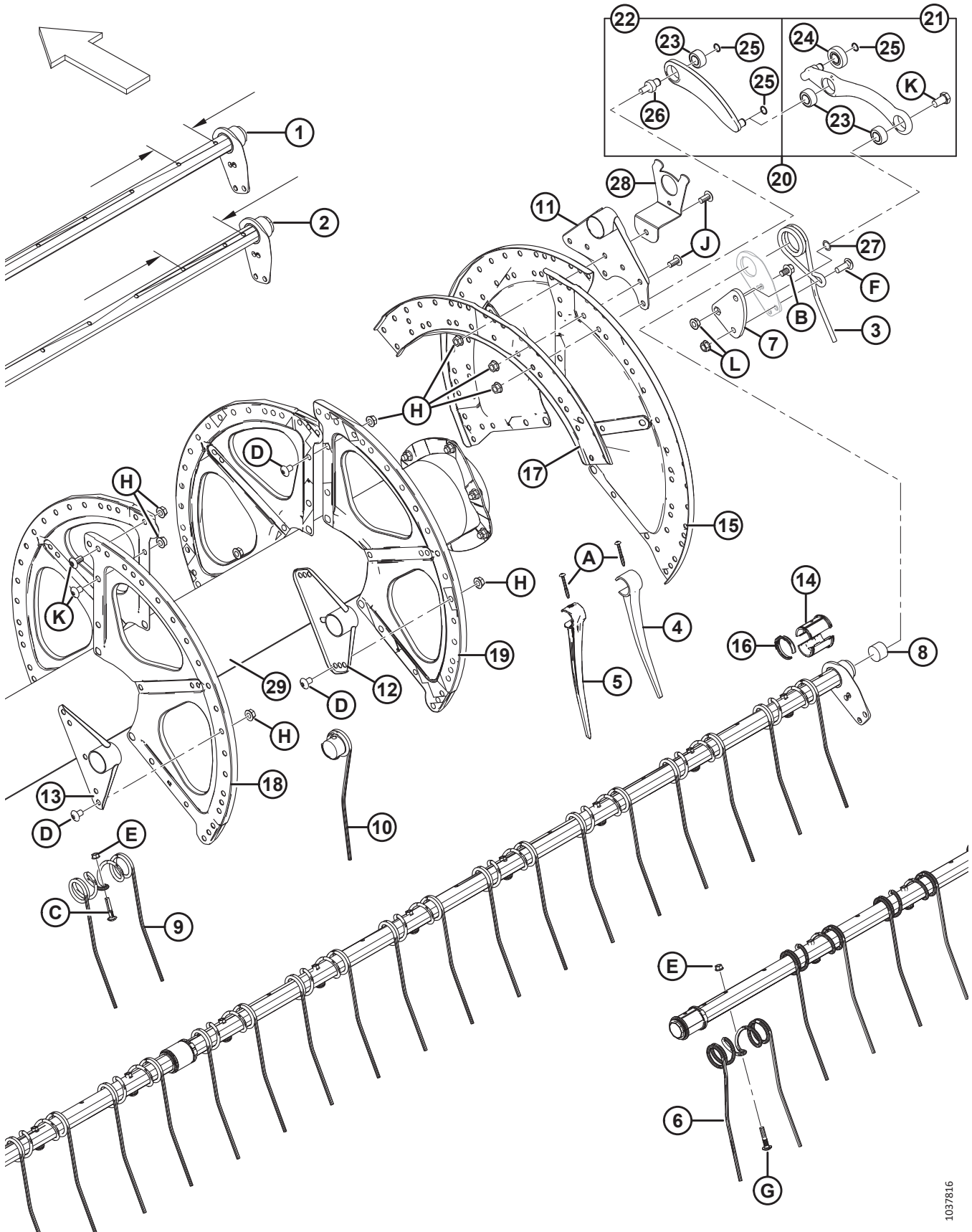
92. Used at the tail (left) end of the reel.

93. Includes assembly arm (MD #311615), tine control assembly arm (MD #311617), link stud (MD #304954), and two retaining rings (MD #273536).

94. Includes two bearings (MD #273347), cam follower bearing (MD #273524), and two retaining rings.

95. Includes bearing (MD #273347) and retaining ring (MD #273536).

PICK-UP REEL – SINGLE-REEL HEADERS (FD125)



1037816

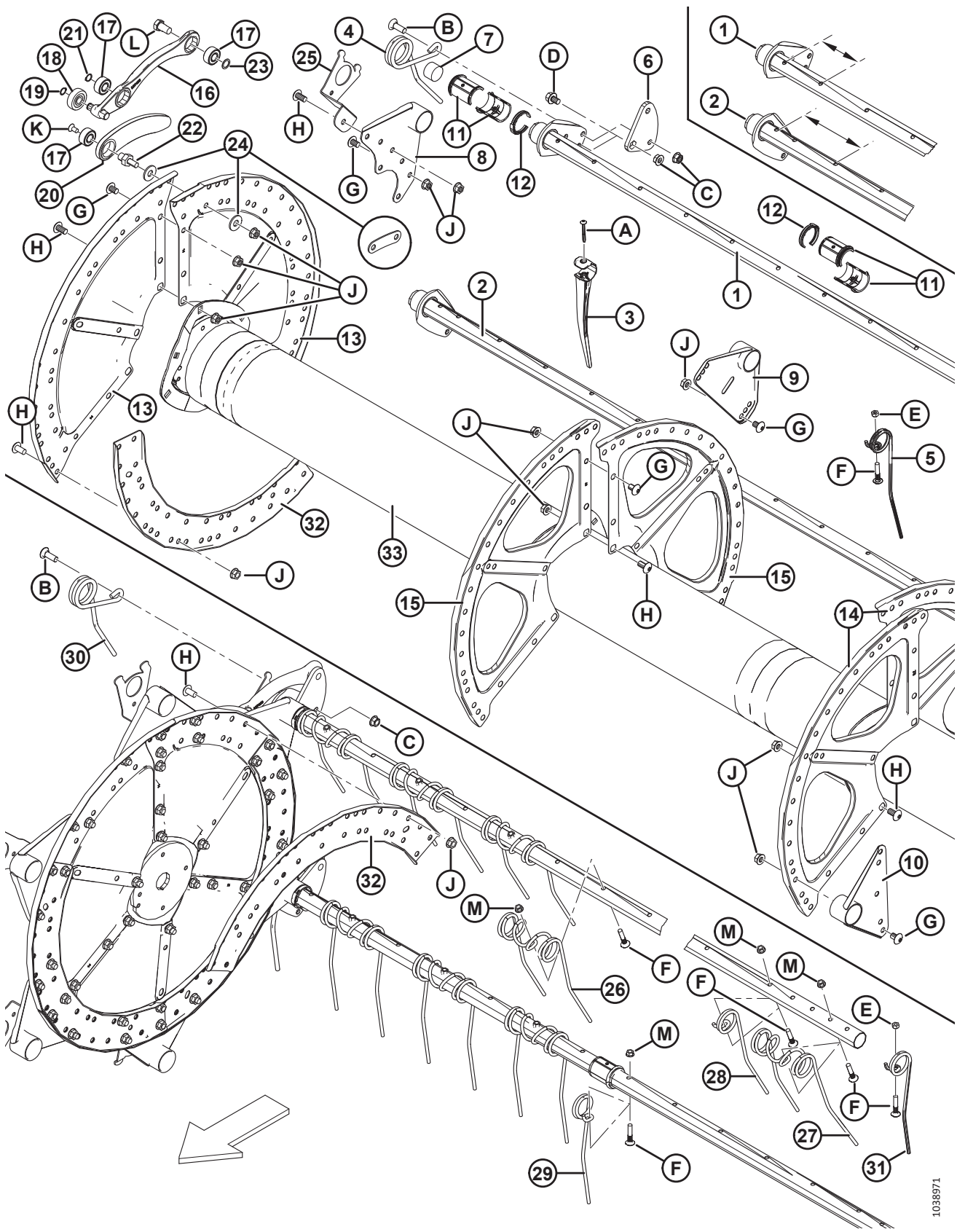


**PICK-UP REEL – SINGLE-REEL HEADERS (FD125)**

<b>Ref</b>	<b>Part Number</b>	<b>Description</b>	<b>Qty 6/9 Bat</b>	<b>Serial Number</b>
24	273524	BEARING – CAM FOLLOWER	6/9	
25	273536	RING – EXT RETAINING	18/27	
26	304954	STUD – LINK	6/9	
27	137529	SHIM – CRANK BEARING	6/9	
28	REF	SUPPORT – ENDSHIELD REEL <sup>96</sup>		
29	137909	CENTER TUBE – 25 FT, C/W REFLECTORS	1	
A	252687	SCREW – TORX, 48° DBL HELIX 1/4 x 2-1/4 ZP		
B	105066	BOLT – HH FLG (SER FACE) 1/2-NC X 0.75 GR 5 ZP		
C	137118	BOLT – BHRN 3/8 NC WITH RETAINER		
D	105135	SCREW – MACHINE		
E	30228	NUT – FLG DT SMOOTH FACE 0.375-16 UNC		
F	21469	BOLT – RHSN 1/2 NC X 1.5 LG GR 5 ZP		
G	137118	BOLT – ROUND HD 3/8 NC RIB NK NC		
H	50186	NUT – FLG LOCK SM FACE DT 0.500-13 UNC GR 5		
J	105136	SCREW – MACHINE		
K	105141	BOLT – LOCKING SHOULDER		
L	21383	NUT – FLANGE .500-13 UNC (SER FACE)		

96. Refer to Section *26 Reel Endshield Components, page 77.*

# 25 Pick-Up Reel – Double-Reel Headers (FD130, FD135, FD140, and FD145)



1038971

**PICK-UP REEL – DOUBLE-REEL HEADERS (FD130, FD135, FD140, AND FD145)**

**NOTE:**

Illustration; TOP: Right-hand reel, BOTTOM: Left-hand reel.

**IMPORTANT:**

Quantities for narrow (#1) and wide (#2) stagger tine tubes vary.

- **4-inch finger spacing:** Narrow stagger (#1) = 159 mm. Wide stagger (#2) = 175 mm. See the illustration for measurement location.
- **6-inch finger spacing:** Narrow stagger (#1) = 120 mm / Wide stagger (#2) = 196 mm. See the illustration for measurement location.

**NOTE:**

Quantities listed are for 5/6/9 bat.

Ref	Part Number	Description	Qty 5/6/9 Bat	Serial Number
	B5657	KIT – 30 FT DR TINE TUBE CONV, 6–9 BAT STEEL FINGERS, 6 IN. SPACING <sup>97</sup>		
	B5938	KIT – 30 FT DR TINE TUBE CONV, 5–6 BAT PLASTIC FINGERS, 6 IN. SPACING <sup>97</sup>		
	B5674	KIT – 35 FT DR TINE TUBE CONV, 5–6 BAT PLASTIC FINGERS, 6 IN. SPACING <sup>97</sup>		
	B6347	KIT – 30 FT DR TINE TUBE CONV, 6–9 BAT PLASTIC FINGERS, 4 IN. SPACING <sup>97</sup>		
	B6344	KIT – 30 FT DR TINE TUBE CONV, 5–6 BAT PLASTIC FINGERS, 4 IN. SPACING <sup>97</sup>		
	B6345	KIT – 35 FT DR TINE TUBE CONV, 5–6 BAT PLASTIC FINGERS, 4 IN. SPACING <sup>97</sup>		
		<b>2018 AND LATER (4 IN. FINGER SPACING)</b>		
1	255749	TINE TUBE – NARROW STAGGER (30 FT HEADER) <sup>98</sup>	6/6/10	321190–
	255716	TINE TUBE – NARROW STAGGER (35 FT HEADER) <sup>99</sup>	6/6/10	321190–
	255908	TINE TUBE – NARROW STAGGER (40 FT HEADER) <sup>99</sup>	6/6/0	321190–
	255738	TINE TUBE – NARROW STAGGER (45 FT HEADER) <sup>100</sup>	6/0/0	321190–
2	255746	TINE TUBE – WIDE STAGGER (30 FT HEADER) <sup>98</sup>	4/6/8	321190–
	255712	TINE TUBE – WIDE STAGGER (35 FT HEADER) <sup>99</sup>	4/6/8	321190–
	255905	TINE TUBE – WIDE STAGGER (40 FT HEADER) <sup>99</sup>	4/6/0	321190–
	255735	TINE TUBE – WIDE STAGGER (45 FT HEADER) <sup>100</sup>	4/0/0	321190–
		<b>2017 AND PRIOR (6 IN. FINGER SPACING)</b>		

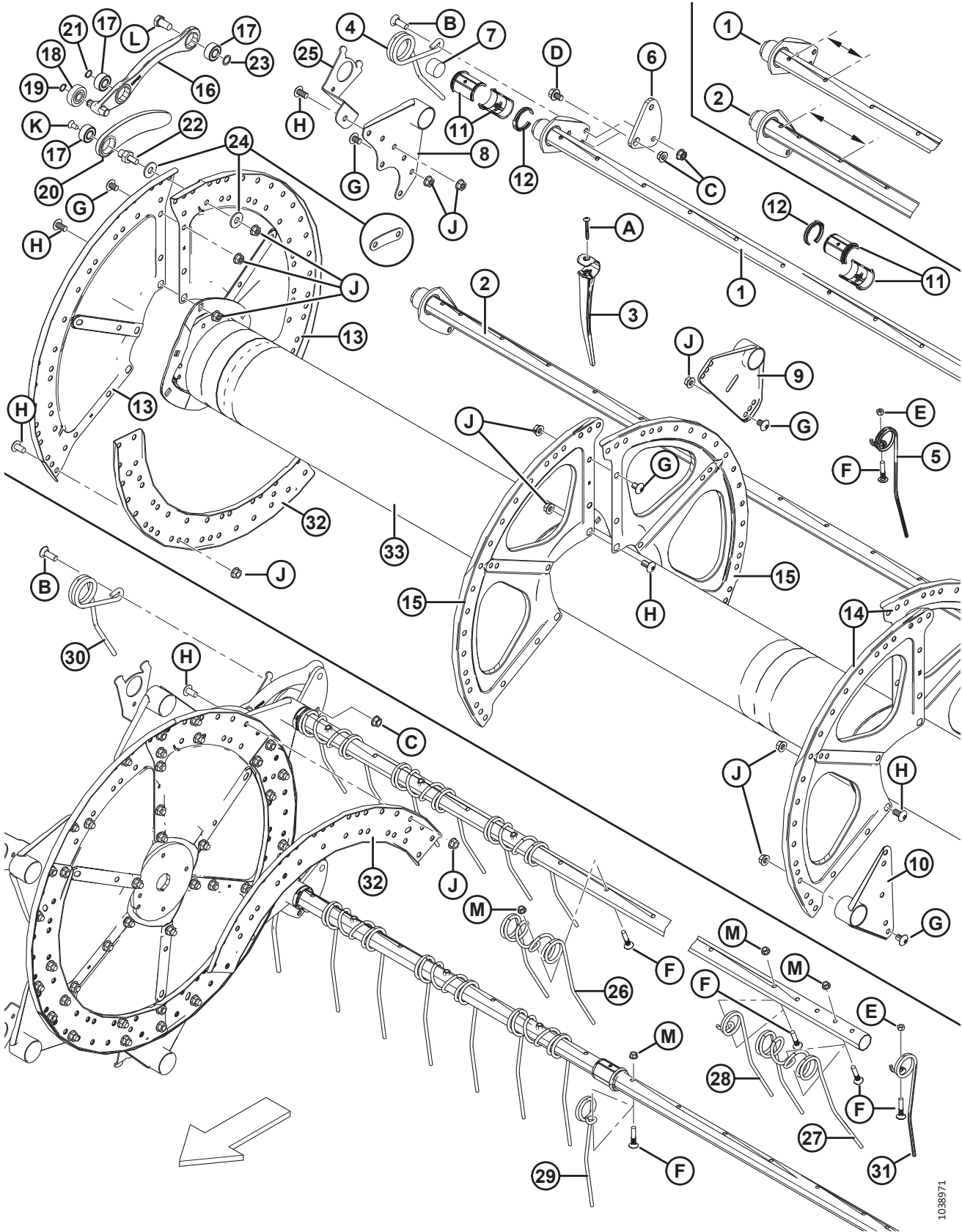
97. Kits available through Whole Goods only.

98. 3 disc.

99. 3 or 4 disc / plastic finger.

100. 4 disc / plastic finger.

PICK-UP REEL – DOUBLE-REEL HEADERS (FD130, FD135, FD140, AND FD145)



1038971

**PICK-UP REEL – DOUBLE-REEL HEADERS (FD130, FD135, FD140, AND FD145)**

Ref	Part Number	Description	Qty 5/6/9 Bat	Serial Number
1	137415	TINE TUBE – NARROW STAGGER (30 FT HEADER) <sup>98</sup>	6/6/10	-321189
	137570	TINE TUBE – NARROW STAGGER (35 FT HEADER) <sup>101</sup>	6/6/10	-321189
	245266	TINE TUBE – NARROW STAGGER (35 FT HEADER) <sup>102</sup>	6/6/10	-321189
	137568	TINE TUBE – NARROW STAGGER (40 FT HEADER) <sup>103</sup>	6/6/0	-321189
	253839	TINE TUBE – NARROW STAGGER (45 FT HEADER) <sup>101</sup>	6/0/0	-321189
2	137416	TINE TUBE – WIDE STAGGER (30 FT HEADER) <sup>98</sup>	4/6/8	-321189
	137571	TINE TUBE – WIDE STAGGER (35 FT HEADER) <sup>101</sup>	4/6/8	-321189
	245267	TINE TUBE – WIDE STAGGER (35 FT HEADER) <sup>102</sup>	4/6/8	-321189
	137569	TINE TUBE – WIDE STAGGER (40 FT HEADER) <sup>103</sup>	4/6/0	-321189
	253503	TINE TUBE – WIDE STAGGER (45 FT HEADER) <sup>101</sup>	4/0/0	-321189
3	174849	FINGER – PLASTIC HEAVY DUTY (10 PACK) <sup>104</sup>		
4	245084	FINGER – CAM END (RH REEL)	5/6/9	
5	164894	FINGER – TAIL END (RH REEL) <sup>105</sup>		
6	137285	ARM – CRANK MACHINING	10/12/18	
7	137980	PLUG – TINE TUBE	20/24/36	
8	137506	ARM WELDT – CAM END	10/12/18	
9	137535	ARM WELDT <sup>106</sup>		
10	137543	ARM WELDT – TAIL END	10/12/18	
11	220939	BUSHING HALF – TINE TUBE (BOX OF 25)	60/72/108	
12	220941	CLAMP – TINE TUBE BUSH, CENTER RIB (5 PACK) <sup>107</sup>		
13	137536	SECTOR – CAM END, 14 GA	6/6/6	
14	137142	SECTOR – TAIL END, 16 GA	6/6/6	
15	137277	SECTOR – MID-SPAN, 18 GA <sup>108</sup>		
16	311617	ARM – TINE CONTROL ASSEMBLY <sup>109</sup>	10/12/18	396190–
	304955	ARM – CAM CONTROL LINKAGE <sup>110</sup>	10/12/18	-396189
17	273347	BEARING	30/36/54	396190–
	273265	BEARING	30/36/54	-396189

101. 3 disc / steel or plastic finger.

102. 4 disc / steel or plastic finger.

103. 3 or 4 disc / steel or plastic finger.

104. Quantities, 4-inch spacing (5/6/9 Bat): 30 ft. plastic = 428/562/820, 35 ft. plastic = 516/618/0, 40 ft. plastic = 606/0/0, 45 ft. plastic = 638/0/0.

Quantities, 6-inch spacing (5/6/9 Bat): 30 ft. plastic = 280/336/504, 35 ft. plastic = 332/399/598, 40 ft. plastic = 384/462/0, 45 ft. plastic = 433/0/0.

105. Quantities (5/6/9 Bat): 30–35 ft. steel and plastic = 5/6/9, 40 ft. steel and plastic = 5/6/0, 45 ft. plastic = 5/0/0.

106. Quantities (5/6/9 Bat): 30–35 ft. steel and plastic = 10/12/18, 40 ft. steel and plastic = 10/12/0, 45 ft. plastic = 10/0/0.

107. Quantities (5/6/9 Bat): 30 ft. steel and plastic = 15/18/27, 35 ft. steel and plastic = 15/17/27, 40 ft. steel and plastic = 15/18/0, 45 ft. plastic = 15/0/0.

108. Quantities: FD130 and FD135 = 6/6/6, FD140 and FD145 = 12/12/12.

109. Includes two bearings (MD #273347), cam follower bearing (MD #273524), and two retaining rings. For 2020 and prior machines, order cam control linkage arm (MD #304955).

110. Includes assembly arm (MD #311615), tine control assembly arm (MD #311617), link stud (MD #304954), and two retaining rings (MD #273536).

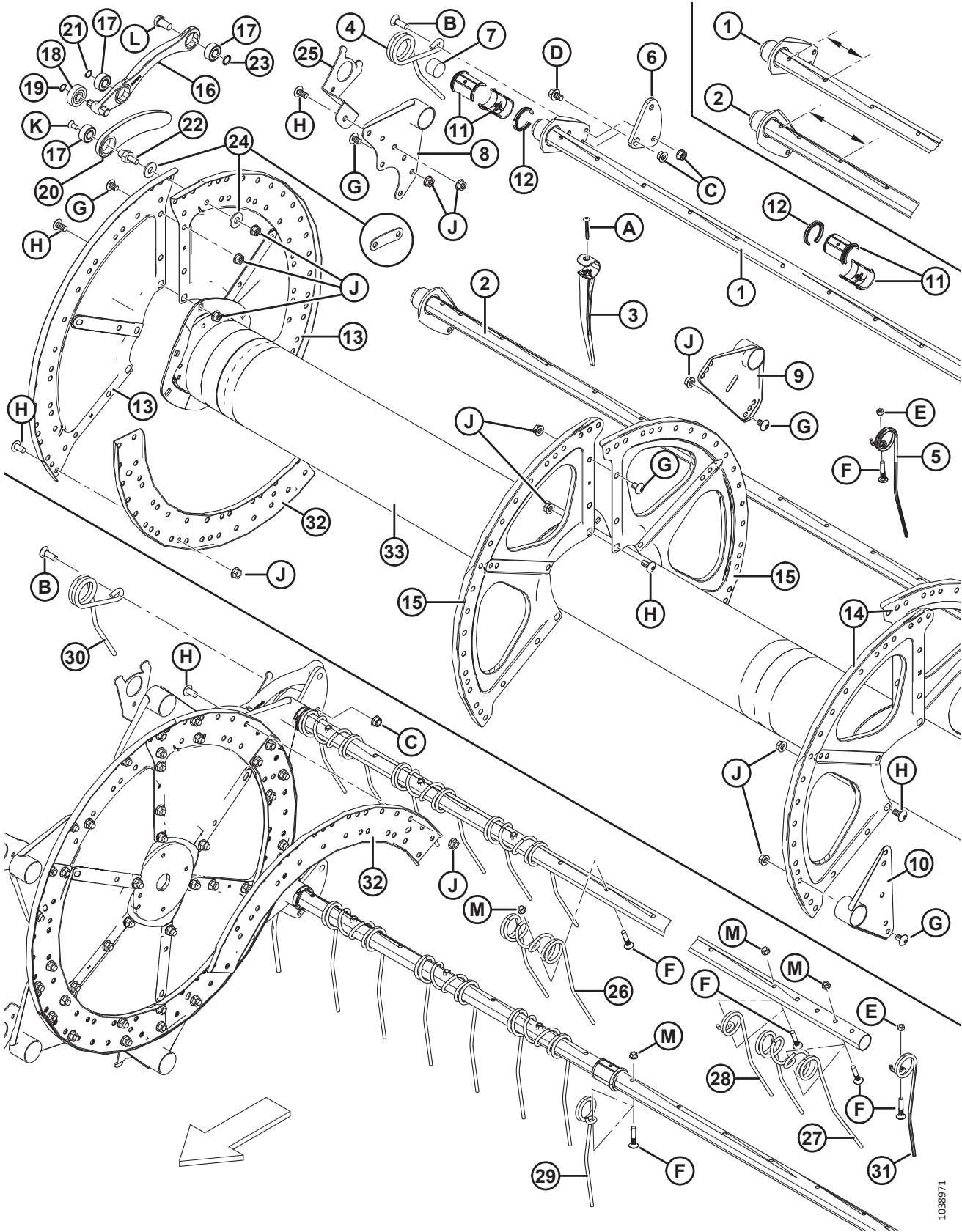


PICK-UP REEL – DOUBLE-REEL HEADERS (FD130, FD135, FD140, AND FD145)

Ref	Part Number	Description	Qty 5/6/9 Bat	Serial Number
18	273524	BEARING – CAM FOLLOWER	10/12/18	396190–
	50184	BEARING – CAM FOLLOWER	10/12/18	–396189
19	273536	RING – EXT RETAINING	10/12/18	396190–
	30523	RING – EXT RETAINING	10/12/18	–396189
20	311615	ARM – ASSEMBLY <sup>111</sup>	10/12/18	396190–
	304955	ARM – CAM CONTROL LINKAGE <sup>110</sup>	10/12/18	–396189
21	273536	RING – EXT RETAINING	10/12/18	396190–
	137523	RING – EXT RETAINING	10/12/18	–396189
22	304954	STUD – LINK	10/12/18	396190–
	279700	STUD – LINK (BOX OF 5)	10/12/18	–396189
23	137529	SHIM – CRANK BEARING	10/12/18	
24	137699	WASHER – USS HARD, FLAT 1/2 NOM. I.D. (5 BAT ONLY) <sup>112</sup>	20/0/0	244010–
	220025	STRAP – LINK PIN (5 BAT ONLY) <sup>113</sup>	20/0/0	–244009
25	REF	SUPPORT – ENDSHIELD REEL <sup>114</sup>		
26	137092	FINGER – DOUBLE, STEEL <sup>115</sup>		
27	137971	FINGER – DOUBLE, RH REEL TAIL END <sup>116</sup>		
28	137519	FINGER – SINGLE CONCENTRIC, LH OFFSET <sup>117</sup>		
29	137754	FINGER – SINGLE CONCENTRIC, RH OFFSET <sup>118</sup>		
30	164895	FINGER – CAM END (LH REEL)	5/6/9	
31	245083	FINGER – TAIL END (LH REEL) <sup>119</sup>		
32	137532	CHANNEL – CAM DISC <sup>120</sup>	6/6/6	

111. Includes bearing (MD #273347) and retaining ring (MD #273536). For 2020 and prior machines, order cam control linkage arm (MD #304955).
112. Service part for 5 bat units made in 2014 model year and later. For units made in 2013 model year and prior, order strap MD #220025.
113. Service part for 5 bat units made in 2013 model year and prior. For units made in 2014 model year and later, order washer MD #137699.
114. Refer to Section [26 Reel Endshield Components, page 77](#).
115. Quantities (5/6/9 Bat): 30 ft. steel = 135/162/243, 35 ft. steel = 156/186/280, 40 ft. steel = 182/219/0.
116. Quantities: 30 ft. = 3, 35 ft. = 3. Used on steel fingered reels only.
117. Quantities (5/6/9 Bat): 30 ft. steel = 5/6/9, 35 ft. steel = 9/12/17, 40 ft. steel = 11/12/0.
118. Quantities (5/6/9 Bat): 30 ft. steel = 4/6/8, 35 ft. steel = 3/3/5, 40 ft. steel = 2/3/0.
119. Quantities (5/6/9 Bat): 30–35 ft. steel and plastic = 5/6/9, 40 ft. steel and plastic = 5/6/0, 45 ft. plastic = 5/0/0.
120. 2014 model year and later.

PICK-UP REEL – DOUBLE-REEL HEADERS (FD130, FD135, FD140, AND FD145)



1038971



**PICK-UP REEL – DOUBLE-REEL HEADERS (FD130, FD135, FD140, AND FD145)**

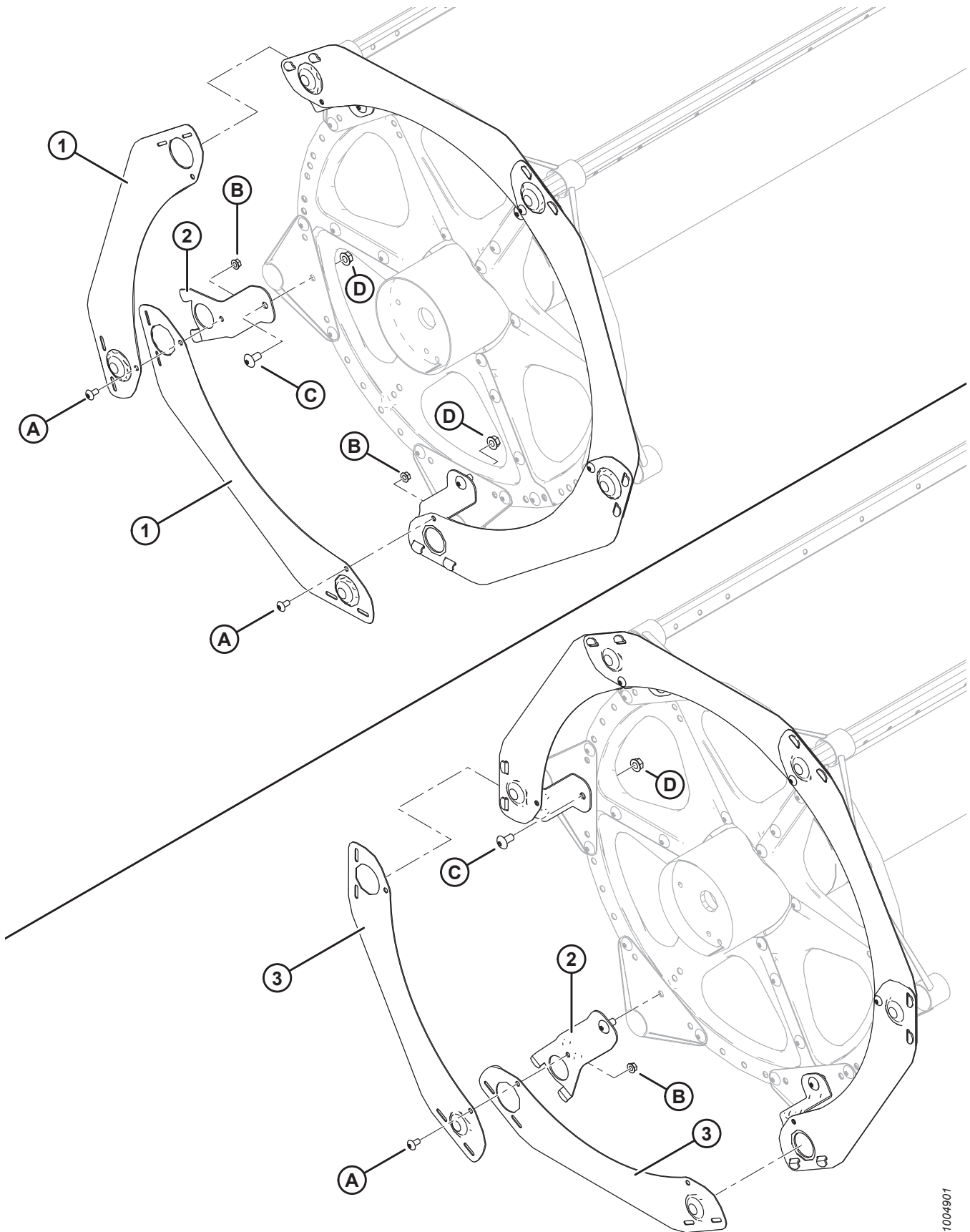
<b>Ref</b>	<b>Part Number</b>	<b>Description</b>	<b>Qty 5/6/9 Bat</b>	<b>Serial Number</b>
33	137910	CENTER TUBE – 30 FT LH, C/W REFLECTORS (3 DISC REEL) <sup>121</sup>	1	
	137913	CENTER TUBE – 30 FT RH, C/W REFLECTORS (3 DISC REEL) <sup>121</sup>	1	
	137915	CENTER TUBE – 35 FT LH, C/W REFLECTORS (3 DISC REEL) <sup>121</sup>	1	
	137916	CENTER TUBE – 35 FT RH, C/W REFLECTORS (3 DISC REEL) <sup>121</sup>	1	
	245272	CENTER TUBE – 35 FT LH, C/W REFLECTORS (4 DISC REEL) <sup>122</sup>	1	
	245273	CENTER TUBE – 35 FT RH, C/W REFLECTORS (4 DISC REEL) <sup>122</sup>	1	
	137917	CENTER TUBE – 40 FT LH, C/W REFLECTORS (3 DISC REEL) <sup>121</sup>	1	
	137918	CENTER TUBE – 40 FT RH, C/W REFLECTORS (3 DISC REEL) <sup>121</sup>	1	
	245276	CENTER TUBE – 40 FT LH, C/W REFLECTORS (4 DISC REEL) <sup>122</sup>	1	
	245277	CENTER TUBE – 40 FT RH, C/W REFLECTORS (4 DISC REEL) <sup>122</sup>	1	
	137968	CENTER TUBE – 45 FT LH, C/W REFLECTORS (3 DISC REEL) <sup>121</sup>	1	
	137969	CENTER TUBE – 45 FT RH, C/W REFLECTORS (3 DISC REEL) <sup>121</sup>	1	
	253514	CENTER TUBE – 45 FT LH, C/W REFLECTORS (4 DISC REEL) <sup>122</sup>	1	
	253515	CENTER TUBE – 45 FT RH, C/W REFLECTORS (4 DISC REEL) <sup>122</sup>	1	
A	252687	SCREW – SET, TORX, 48° DBL HELIX 1/4 X 2-1/4 ZP		
B	21469	BOLT – RHSN 1/2 NC X 1.5 LG GR 5 ZP		
C	21383	NUT – FLANGE .500-13 UNC (SER FACE)		
D	105066	BOLT – HH FLG (SER FACE) 1/2 -NC X 0.75 GR 5		
E	18669	NUT – HEX LOCK DT 3/8-16 UNC ZP		
F	137118	BOLT – BHRN 3/8 NC, C/W RETAINER		
G	105135	SCREW – MACH, TORX TRUSS HEAD, 1/2 X 0.75 IN. LG		
H	105136	SCREW – MACH, TORX TRUSS HEAD, 1/2 X 1.0 IN. LG		
J	50186	NUT – FLG LOCK SM FACE DT 0.500-13 UNC GR 5		
K	113420	BOLT – CSK TORX 3/8 NC X 3/4 LG <sup>123</sup>		-396189
L	105141	BOLT – SHOULDER, 5/8-18 UNF, 30 MM LG, ZP, GR 5		
M	30228	NUT – FLG DT SMOOTH FACE 0.375-16 UNC		

121. 3 disc.

122. 4 disc.

123. Model year 2021 and later machines use retaining ring MD #273536.

## 26 Reel Endshield Components



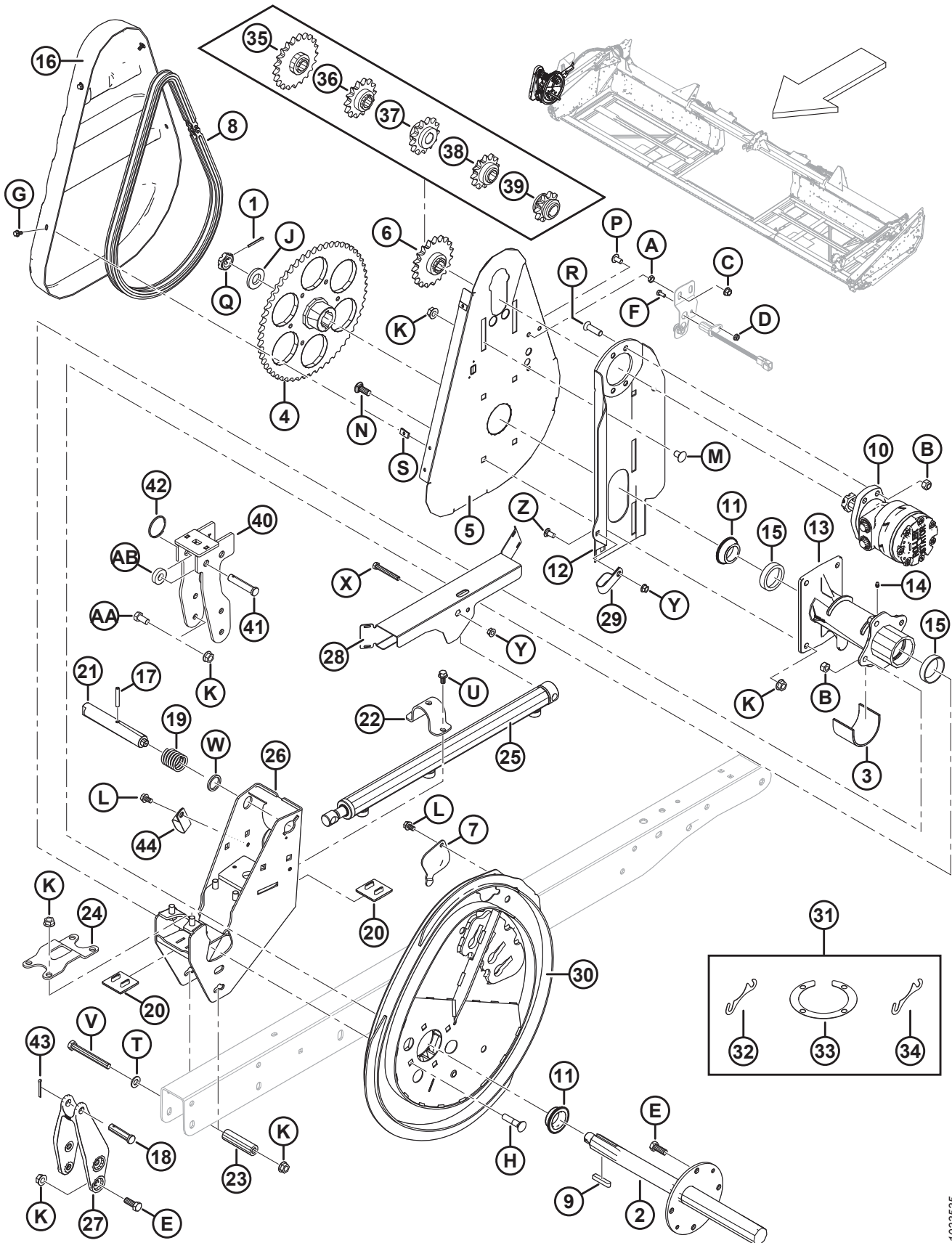
## REEL ENDSHIELD COMPONENTS

**NOTE:**

Quantities listed are for 5/6/9 bat.

Ref	Part Number	Description	Qty 5/6/9 Bat	Serial Number
1	164754	ENDSHIELD – 5-BAT SEGMENTED, 5-SERIES	5	
2	164958	SUPPORT – ENDSHIELD REEL	5/6/9	
3	164965	ENDSHIELD – 6-BAT SEGMENTED, 5-SERIES	6	
	164967	ENDSHIELD – 9-BAT SEGMENTED, 5-SERIES	9	
A	135157	SCREW – MACHINE, TORX TRUSS HD 3/8 X .75 IN.		
B	30228	NUT – FLG DT SMOOTH FACE 0.375-16 UNC		
C	105136	SCREW – MACHINE, TORX TRUSS HD 1/2 X 1.0 IN.		
D	50186	NUT – FLANGE LOCK SM FACE DT 0.500-13 UNC GR5		

# 27 Reel Components – Single Reel, Right Arm



**REEL COMPONENTS – SINGLE REEL, RIGHT ARM**

Ref	Part Number	Description	Qty	Serial Number
1	18607	PIN – COTTER 5/32 DIA X 1.5 ZP	1	
2	137291	REEL DRIVE SHAFT	1	
3	137315	SLEEVE	1	
4	137347	SPROCKET – MACHINING 56 TOOTH, RC 60	1	
5	137352	SUPPORT – REEL DRIVE BACK PLATE	1	
6	137354	SPROCKET – RC 60, 19 TOOTH	1	
7	137476	COVER – CAM BEARING ACCESS	1	
8	137515	CHAIN – RC-60, 76 PITCHES RIVETED, ENDLESS	1	
9	137721	KEY – REEL DRIVE SHAFT	2	
10	273258	MOTOR – HYD, 15.9 CU.IN. 506 SERIES <sup>124</sup>	1	
	273259	SEAL KIT		
	137375	NUT – SLOTTED JAM 1.0-20 UNEF	OPT	
11	164213	BEARING – CONE C/W SEAL	2	
12	164750	MOTOR MOUNT WELDT	1	
13	164817	REEL DRIVE HUB C/W BEARING CUPS	1	
14	18671	FITTING – LUBE 1/4-28 UNF	1	
15	164214	BEARING – CUP	2	
16	164955	COVER – REEL DRIVE	1	
17	16681	PIN – SPRING 5/16 DIA X 2.0 LG	1	
18	18725	PIN – CLEVIS	1	
19	137221	SPRING – COMPRESSION	1	
20	137626	PAD – REEL DRIVE WEAR	2	
21	164815	PIN – CAM LATCH	1	
22	164930	CLAMP – FORE AFT	1	
23	164945	SPACER	1	
24	164953	CLAMP – DRIVE HUB	1	
25	164933	CYLINDER – FORE AFT	1	
	113435	SEAL KIT		
26	279979	SUPPORT WELDT – RH CAM	1	
27	164887	CASTING – FORE AFT RH ARM	1	
28	123670	SHIELD – RH SINGLE	1	
29	103738	CLAMP – PVC INSULATED 13/16 IN. TUBE SIZE	1	
30	294634	CAM KIT <sup>125</sup>	1	
31	294631	KIT – CAM SHIM <sup>126</sup>	A/R	
32	137753	SHIM RING – 4 BOLT FLANGE	A/R	
33	164061	SHIM – HUB TO CAM	A/R	
34	245199	SHIM – HUB TO CAM	A/R	
35	137350	SPROCKET – 21 TOOTH, RC 60 <sup>127</sup>	OPT	
36	137356	SPROCKET – 14 TOOTH 3000 PSI (DOWN RICE ONLY) <sup>127</sup>	OPT	
37	164126	SPROCKET – 13 TOOTH, RC 60 <sup>127</sup>	OPT	

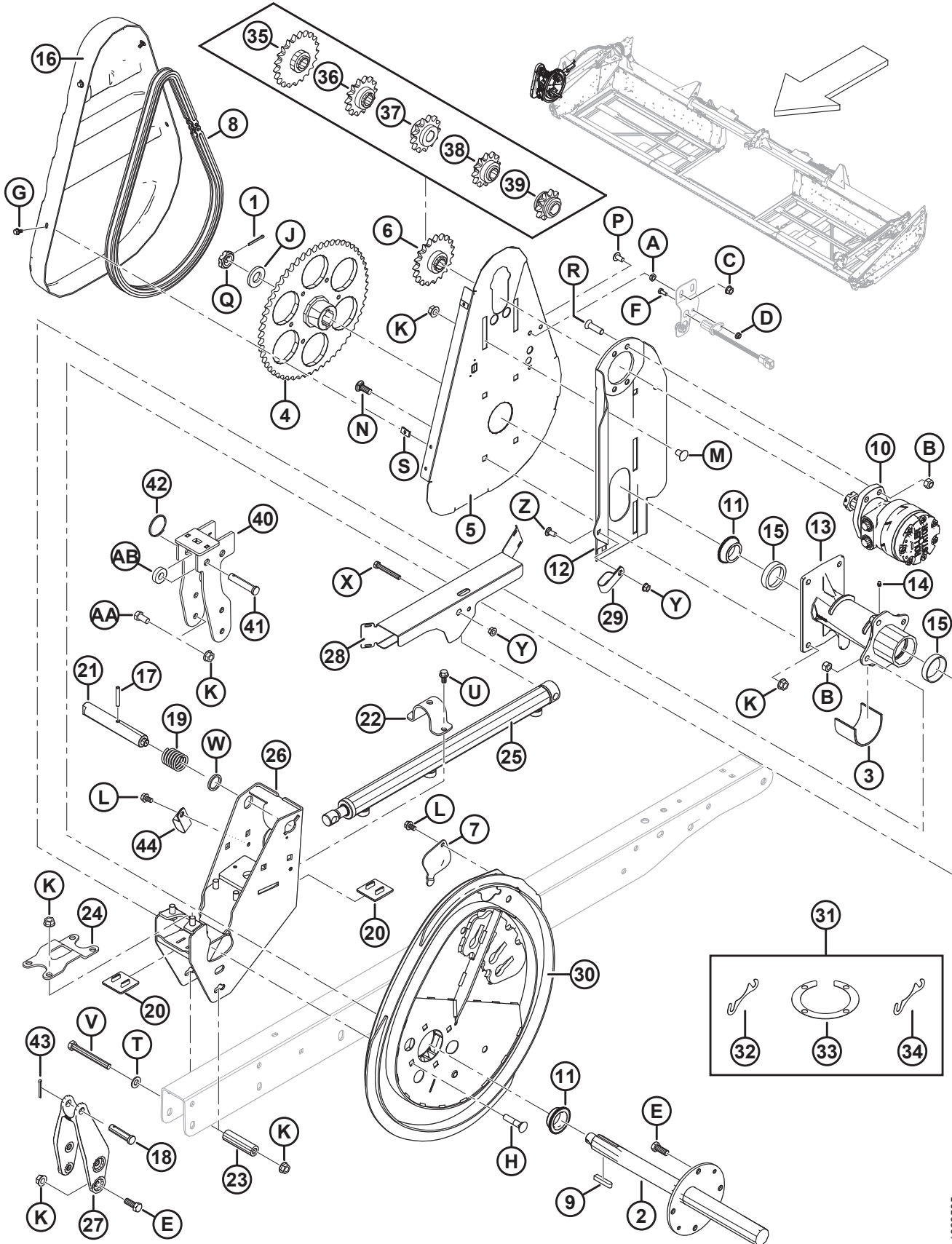
124. Nut and key supplied with motor (MD #273258). Permissible to service nut with slotted jam nut (MD #137375).

125. Includes cam shim kit (MD #294631).

126. Includes four shims (MD #164061), two shim rings (MD #137753), and shim (MD #245199).

127. High-torque, steel-fingered reels only. Required on combines that have low reel drive pressure.

REEL COMPONENTS – SINGLE REEL, RIGHT ARM

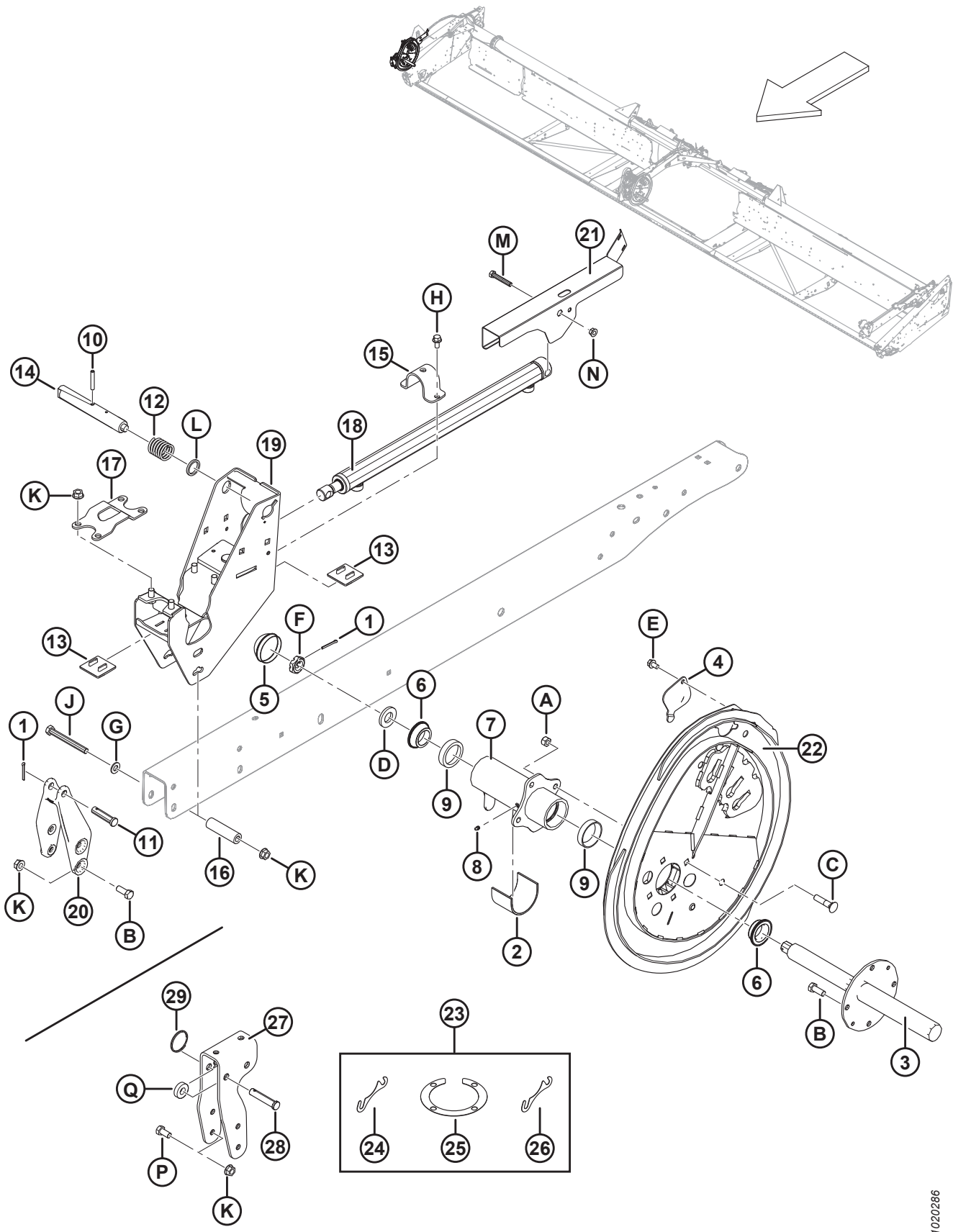


1033535

**REEL COMPONENTS – SINGLE REEL, RIGHT ARM**

<b>Ref</b>	<b>Part Number</b>	<b>Description</b>	<b>Qty</b>	<b>Serial Number</b>
38	137970	SPROCKET – 12 TOOTH 2500 PSI (DOWN RICE ONLY) <sup>127</sup>	OPT	
39	137348	SPROCKET – 10 TOOTH 2000 PSI (DOWN RICE ONLY) <sup>127</sup>	OPT	
40	304017	BRACKET – RHS CAM WELDT (EXPORT ONLY)	1	
41	18738	PIN – CLEVIS (EXPORT ONLY)	1	
42	118137	RING (EXPORT ONLY)	1	
43	18648	PIN – COTTER 3/16 DIA X 1.25 ZP	1	
44	50022	CLAMP – INSULATED 15/16 INCH	1	
A	18664	NUT – HEX JAM 3/8-16 UNC GR 5 ZP		
B	18697	NUT – HEX LOCK DT .500-13 UNC		
C	21452	NUT – FLANGE (SER FACE) .375-16 UNC		
D	21455	NUT – FLG (SER FACE) 1/4 NC GR 5 ZP		
E	21491	BOLT – HH 1/2 NC X 1.25 LG GR 5 ZP		
F	21572	BOLT – HEX HD 1/4 NC X 1.25 LG GR 5 ZP		
G	21968	BOLT – HH FLG (SER FACE) 1/4 NC X 0.5 GR 5 ZP		
H	30027	BOLT – RHSN 1/2 NC X 2.25 LG GR 5 ZP		
J	31774	WASHER – FLAT		
K	50186	NUT – FLANGE LOCK SM FACE DT 0.500-13 UNC GR 5		
L	101898	SCREW – HEX WASH HD THD ROLLING 3/8 NC X 5/8		
M	105069	BOLT – RHSSN 1/2 NC X 0.75 GR 5 ZP		
N	114233	BOLT – RHSSN 1/2 NC X 1.25 GR 5 ZP		
P	135157	SCREW – MACHINE		
Q	137375	NUT – SLOTTED JAM 1.0 IN-20 UNEF-ZN PL		
R	137503	BOLT – CSK SOCK. 1/2 NC X 1.75 GR. 5 ZP		
S	137702	NUT – 1/4-20 SHEET METAL		
T	18599	WASHER – SAE FLAT 17/32 I.D. X 1-1/16 IN. O.D. ZP		
U	21821	BOLT – HH FLG (SER FACE) 3/8 NC X 0.75 GR 5 ZP		
V	30209	BOLT – HH 1/2 NC X 4.5 LG GR 5 ZP		
W	273304	WASHER – CAM LATCH		
X	30035	BOLT – HH 3/8 NC X 2.75 LG GR 5 ZP		
Y	30228	NUT – FLANGE DT SMOOTH FACE 0.375-16 UNC		
Z	21863	BOLT – RHSSN 3/8 NC X 0.75 LG GR 5 ZP		
AA	21575	BOLT – HH 1/2 NC X 1.0 LG GR 5 ZP		
AB	40915	WASHER – FLAT		

# 28 Reel Components – Double Reel, Right Arm





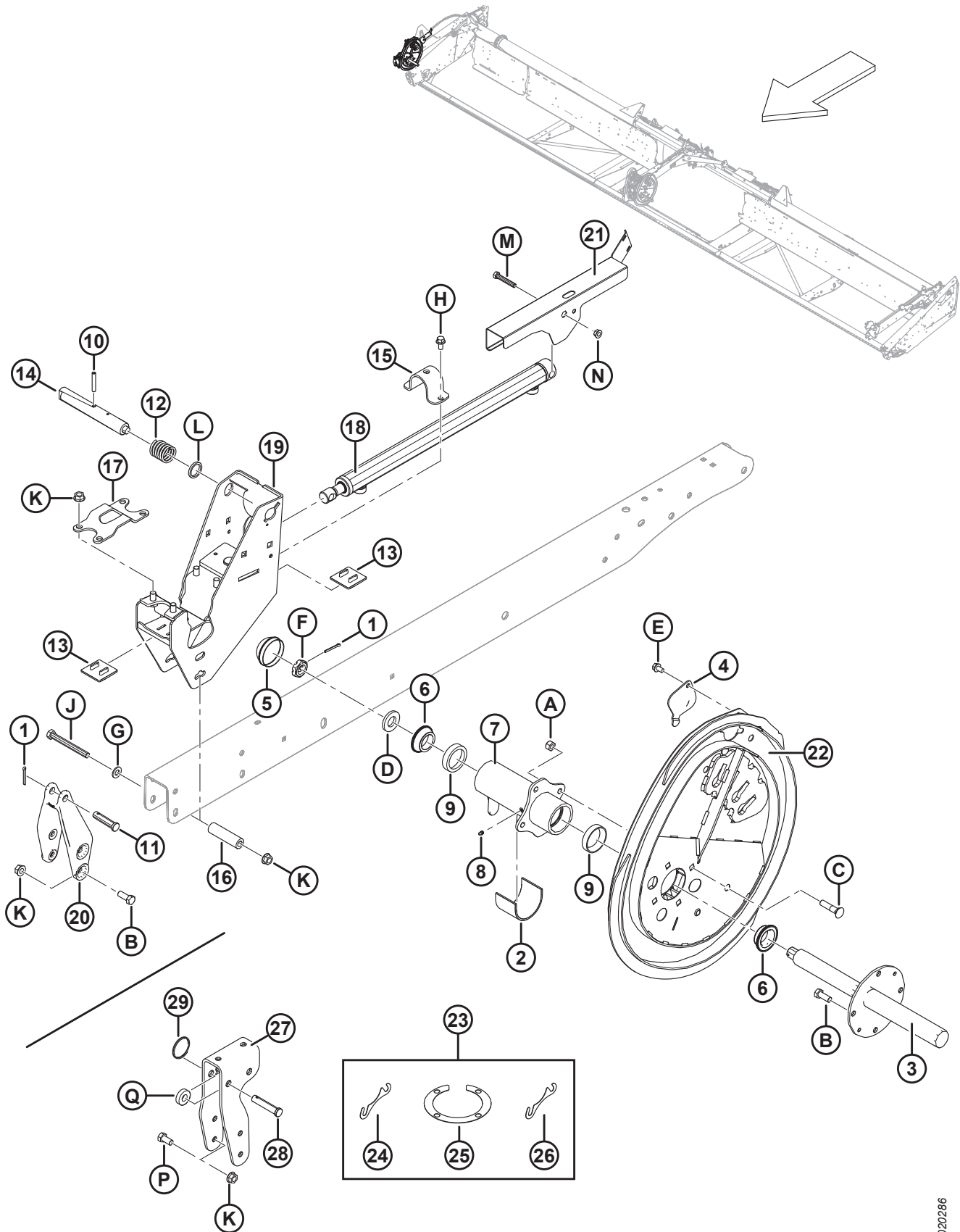
**REEL COMPONENTS – DOUBLE REEL, RIGHT ARM**

Ref	Part Number	Description	Qty	Serial Number
1	18648	PIN – COTTER 3/16 DIA X 1.25 ZP	2	
2	137315	SLEEVE	1	
3	137451	REEL DRIVE SHAFT RH	1	
4	137476	COVER – CAM BEARING ACCESS	1	
5	140250	CAP – DUST	1	
6	164213	BEARING – CONE C/W SEAL	2	
7	164821	HUB – RH REEL C/W CUPS	1	
8	18671	FITTING – LUBE 1/4-28 UNF	1	
9	164214	BEARING – CUP	2	
10	16681	PIN – SPRING 5/16 DIA X 2.0 LG	1	
11	18725	PIN – CLEVIS	1	
12	137221	SPRING – COMPRESSION	1	
13	137626	PAD – REEL DRIVE WEAR	2	
14	137456	PIN – CAM LATCH	1	
15	164930	CLAMP – FORE AFT	1	
16	164945	SPACER	1	
17	164953	CLAMP – DRIVE HUB	1	
18	164933	CYLINDER – FORE AFT	1	
	113435	SEAL KIT		
19	279979	SUPPORT WELDT – RH CAM	1	
20	164887	CASTING – FORE AFT RH ARM	1	
21	123627	SHIELD – RH DUAL (RH ARM ON RH REEL)	1	
22	294634	CAM KIT <sup>128</sup>	1	
23	294631	KIT – CAM SHIM <sup>129</sup>	A/R	
24	164061	SHIM – HUB TO CAM (1.2 MM)	A/R	
25	137753	SHIM RING – 4 BOLT FLANGE	A/R	
26	245199	SHIM – HUB TO CAM (0.6 MM)	A/R	
27	304017	BRACKET – RHS CAM BRKT FLANGE (EXPORT ONLY)	1	
28	18624	PIN – CLEVIS (EXPORT ONLY)	1	
29	118137	RING (EXPORT ONLY)	1	
A	18697	NUT – HEX LOCK DT .500-13 UNC		
B	21491	BOLT – HH 1/2 NC X 1.25 LG GR 5 ZP		
C	30027	BOLT – RHSN 1/2 NC X 2.25 LG GR 5 ZP		
D	31774	WASHER – FLAT		
E	101898	SCREW – HEX WASH HD THD ROLLING 3/8 NC X 5/8		
F	137375	NUT – SLOTTED JAM 1.0 IN.-20 UNEF-ZN PL		
G	18599	WASHER – SAE FLAT 17/32 I.D. X 1-1/16 IN. O.D. ZP		
H	21821	BOLT – HH FLG (SER FACE) 3/8 NC X 0.75 GR 5 ZP		
J	30209	BOLT – HH 1/2 NC X 4.5 LG GR 5 ZP		
K	50186	NUT – FLANGE LOCK SM FACE DT 0.500-13 UNC GR 5		

128. Includes cam shim kit (MD #294631).

129. Includes four shims (MD #164061), two shim rings (MD #137753), and shim (MD #245199).

REEL COMPONENTS – DOUBLE REEL, RIGHT ARM

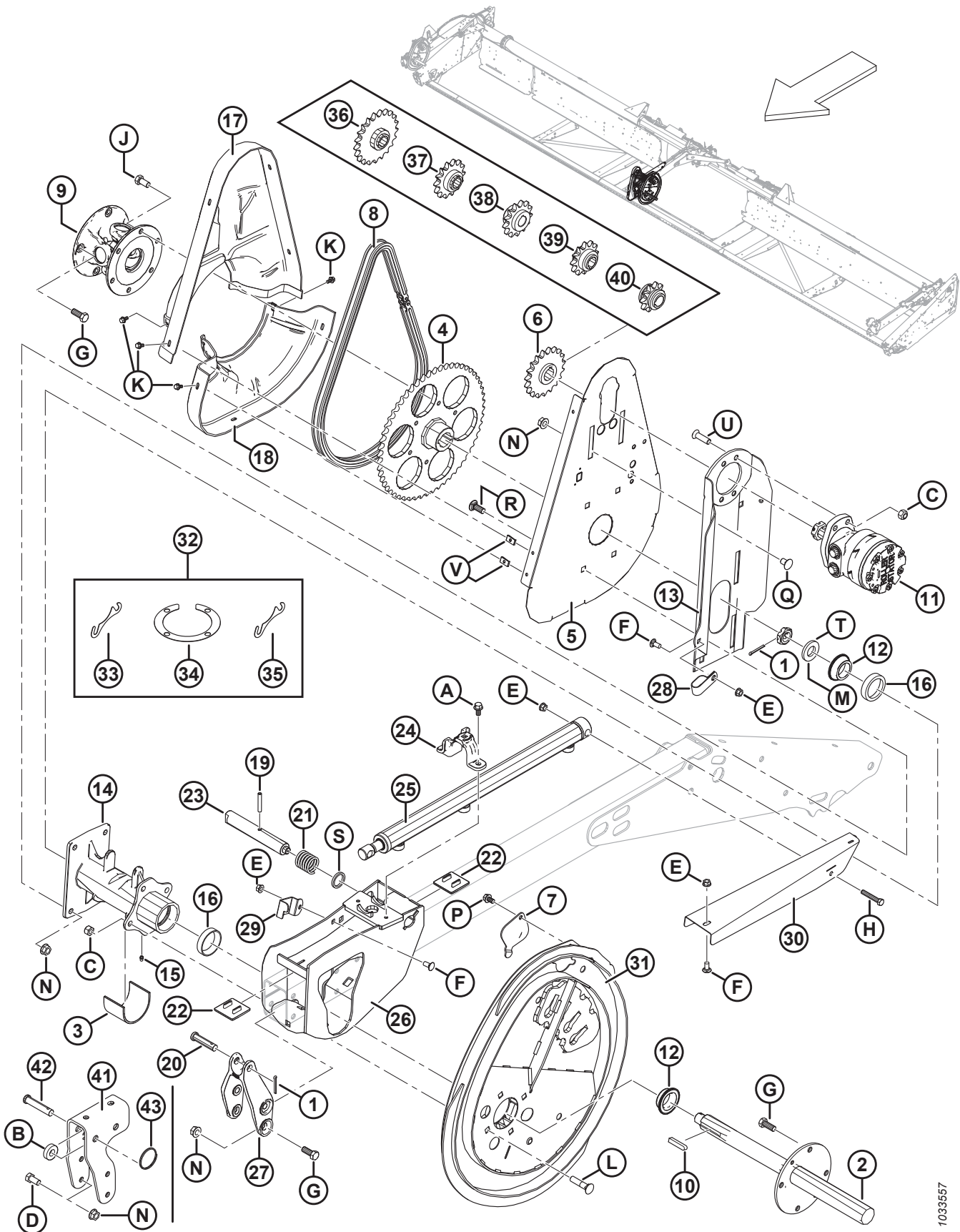


1020286

**REEL COMPONENTS – DOUBLE REEL, RIGHT ARM**

<b>Ref</b>	<b>Part Number</b>	<b>Description</b>	<b>Qty</b>	<b>Serial Number</b>
L	273304	WASHER – CAM LATCH		
M	20055	BOLT – HH 3/8 NC X 2.25 LG GR 5 ZP		
N	30228	NUT – FLANGE DT SMOOTH FACE 0.375-16 UNC		
P	21575	BOLT – HH 1/2 NC X 1.0 LG GR 5 ZP		
Q	40915	WASHER – FLAT		

# 29 Reel Components – Double Reel, Center Arm



1033557

**REEL COMPONENTS – DOUBLE REEL, CENTER ARM**

Ref	Part Number	Description	Qty	Serial Number
1	18648	PIN – COTTER 3/16 DIA X 1.25 ZP	2	
2	137291	REEL DRIVE SHAFT	1	
3	137315	SLEEVE	1	
4	137347	SPROCKET – MACHINING 56 TOOTH, RC 60	1	
	164141	SPROCKET – MACHINING 48 TOOTH, RC 60 <sup>130</sup>	1	
5	137352	SUPPORT – REEL DRIVE BACK PLATE	1	
6	137354	SPROCKET – RC 60 19 TOOTH	1	
7	137476	COVER – CAM BEARING ACCESS	1	
8	137515	CHAIN – RC-60, 76 PITCHES RIVETED, ENDLESS	1	
	164109	CHAIN – RC-60, 70 PITCHES RIVETED, ENDLESS <sup>130</sup>	1	
9	137691	REEL DRIVE U JOINT	1	
	137825	CROSS JOURNAL ASSEMBLY		
	137826	YOKE – FLANGE, 4 BOLT		
	137827	YOKE – FLANGE, 6 BOLT		
10	137721	KEY – REEL DRIVE SHAFT	2	
11	273258	MOTOR – HYD, 15.9 CU.IN. 506 SERIES	1	
	273259	SEAL KIT <sup>131</sup>		
	273078	MOTOR – HYD, 260 CC HIGH CAP BRG (15.9 CU. IN.) <sup>132</sup>	OPT	
	311620	SEAL KIT <sup>133</sup>		
	137375	NUT – SLOTTED JAM 1.0-20 UNEF	OPT	
12	164213	BEARING – CONE C/W SEAL	2	
13	164750	MOTOR MOUNT WELDT	1	
14	164817	REEL DRIVE HUB – C/W BEARING CUPS	1	
15	18671	FITTING – LUBE 1/4-28 UNF	1	
16	164214	BEARING – CUP	2	
17	164947	SHIELD – REEL DRIVE TOP HALF	1	
18	164948	SHIELD – LOWER DUAL REEL DRIVE	1	
19	16681	PIN – SPRING 5/16 DIA X 2.0 LG	1	
20	18725	PIN – CLEVIS	1	
21	137221	SPRING – COMPRESSION	1	
22	137626	PAD – REEL DRIVE WEAR	2	
23	164815	PIN – CAM LATCH	1	
24	304956	CASTING – CLAMP FORE AFT CYLINDER	1	

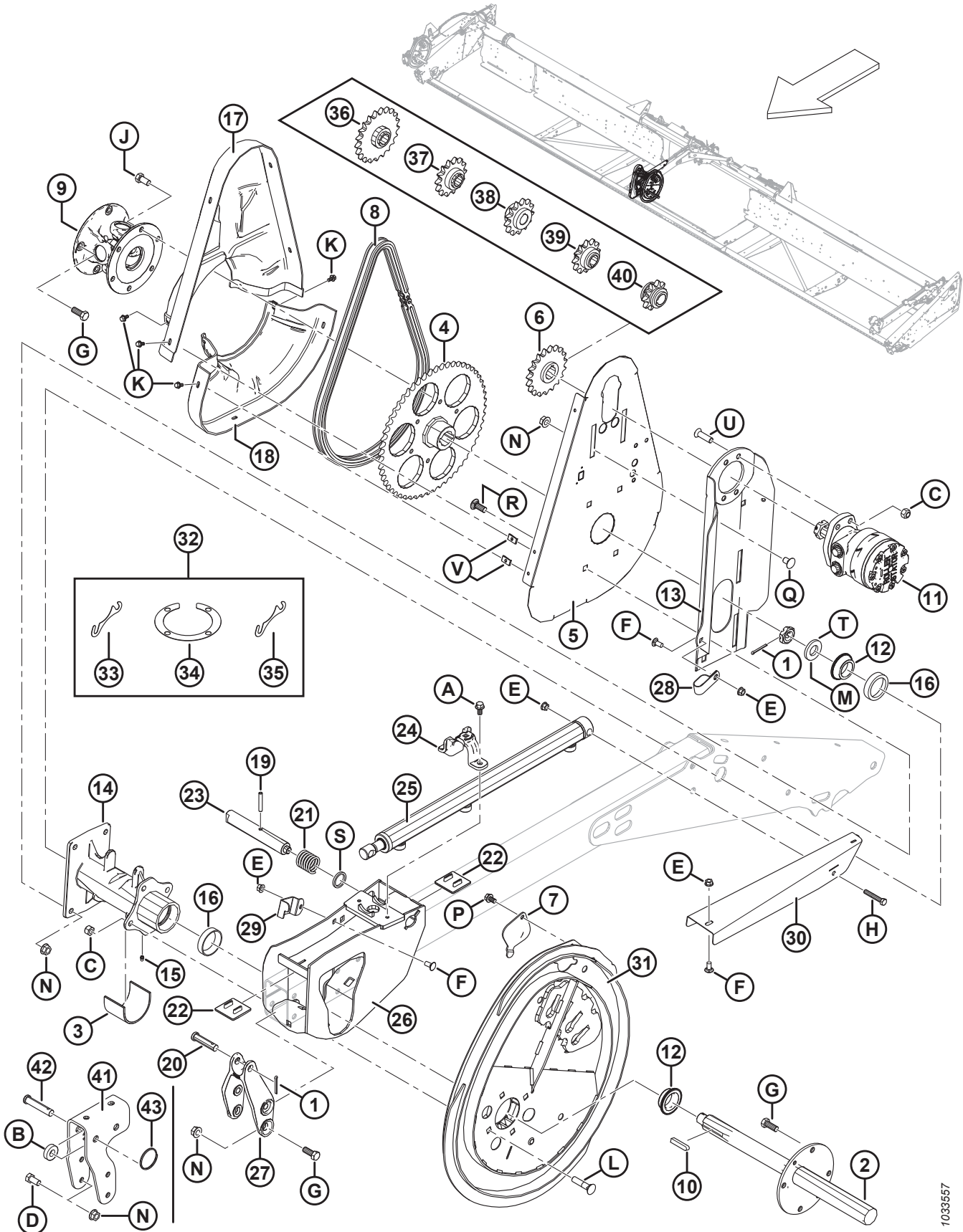
130. Non-European configured double-reel, high-torque, high-speed reels only.

131. For standard-torque motor (MD #273258).

132. Optional 15.9 cu. in. hydraulic motor for high-torque applications.

133. For high-torque motor (MD #273078).

REEL COMPONENTS – DOUBLE REEL, CENTER ARM



1033557

**REEL COMPONENTS – DOUBLE REEL, CENTER ARM**

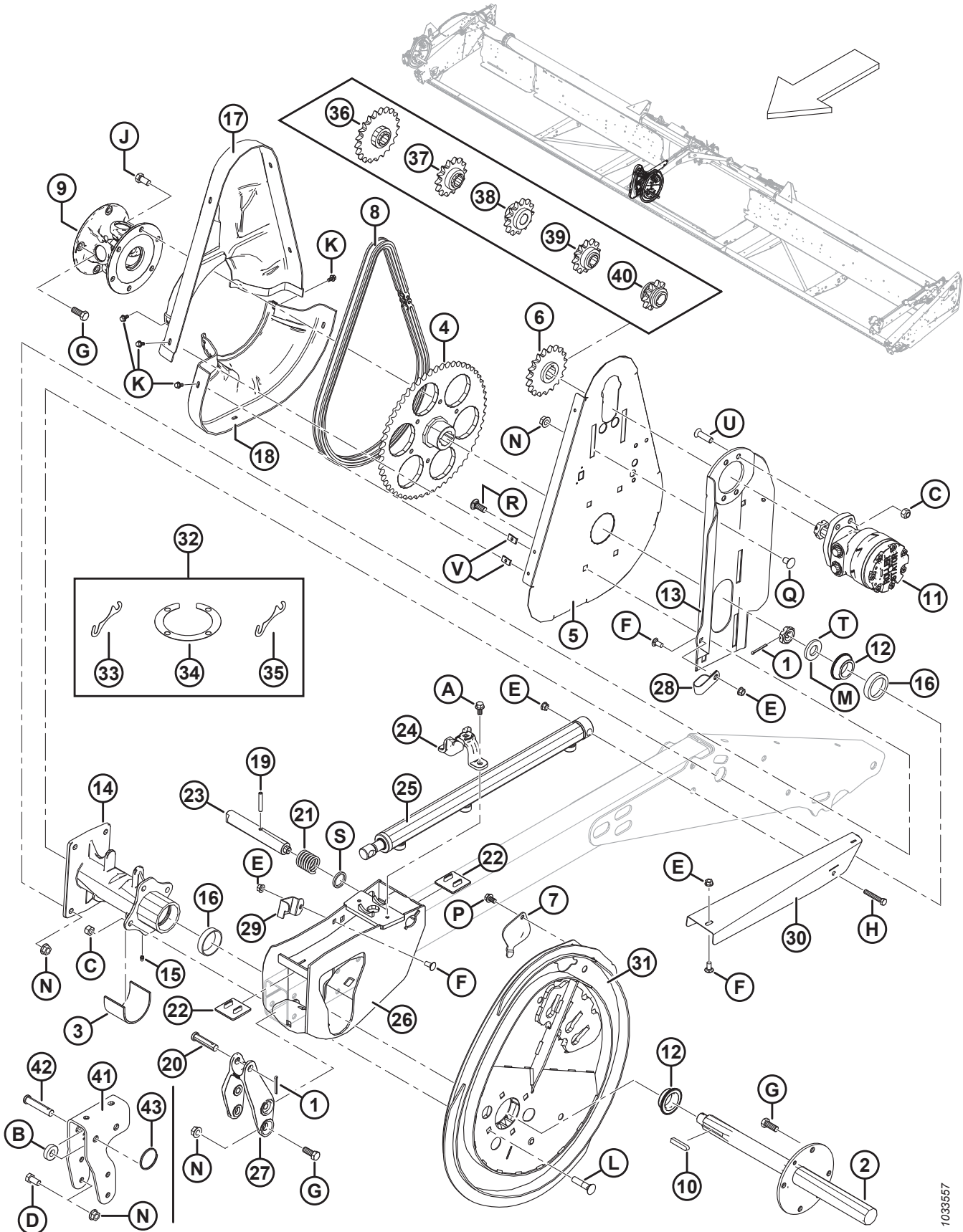
Ref	Part Number	Description	Qty	Serial Number
25	164933	CYLINDER – FORE AFT	1	
	113435	SEAL KIT		
26	253092	SUPPORT WELDT – DR DRIVE	1	
27	164885	CASTING – FORE AFT CENTER ARM	1	
28	103738	CLAMP – PVC INSULATED 13/16 IN. TUBE SIZE	1	
29	164858	RETAINER – HOSE	1	
30	294065	SHIELD – FORE AFT HOSES DUAL REEL DRIVE	1	
31	294634	CAM KIT <sup>134</sup>	1	
32	294631	KIT – CAM SHIM <sup>135</sup>	A/R	
33	164061	SHIM – HUB TO CAM (1.2 MM)	A/R	
34	137753	SHIM RING – 4 BOLT FLANGE	A/R	
35	245199	SHIM – HUB TO CAM (0.6 MM)	A/R	
36	137350	SPROCKET – 21 TOOTH, RC 60 <sup>136</sup>	OPT	
37	137356	SPROCKET – 14 TOOTH, 3000 SPI (DOWN RICE ONLY) <sup>136</sup>	OPT	
38	164126	SPROCKET – 13 TOOTH, RC 60 <sup>136</sup>	OPT	
39	137970	SPROCKET – 12 TOOTH, 2500 PSI (DOWN RICE ONLY) <sup>136</sup>	OPT	
40	137348	SPROCKET – 10 TOOTH, 2000 PSI (DOWN RICE ONLY) <sup>136</sup>	OPT	
41	304018	BRACKET – CTR CAM BRKT FLANGE (EXPORT ONLY)	1	
42	18624	PIN – CLEVIS (EXPORT ONLY)	1	
43	118137	RING (EXPORT ONLY)	1	
A	21821	BOLT – HH FLG (SER FACE) 3/8 NC X 0.75 GR 5 ZP		
B	40915	WASHER – FLAT		
C	18697	NUT – HEX LOCK DT .500-13 UNC		
D	21575	BOLT – HH 1/2 NC X 1.0 LG GR 5 ZP		
E	30228	NUT – FLANGE DT SMOOTH FACE 0.375-16 UNC		
F	21863	BOLT – RHSSN 3/8 NC X 0.75 LG GR 5 ZP		
G	21491	BOLT – HH 1/2 NC X 1.25 LG GR 5 ZP		
H	20055	BOLT – HH 3/8 NC X 2.25 LG GR 5 ZP		
J	21575	BOLT – HH 1/2 NC X 1.0 LG GR 5 ZP		
K	21968	BOLT – HH FLG (SER FACE) 1/4 NC X 0.5 GR 5 ZP		
L	30027	BOLT – RHSN 1/2 NC X 2.25 LG GR 5 ZP		
M	31774	WASHER – FLAT		
N	50186	NUT – FLANGE LOCK SM FACE DT 0.500-13 UNC GR 5		
P	101898	SCREW – HEX WASH HD THD ROLLING 3/8 NC X 5/8		
Q	105069	BOLT – RHSSN 1/2 NC X 0.75 GR 5 ZP		
R	114233	BOLT – RHSSN 1/2 NC X 1.25 GR 5 ZP		
S	273304	WASHER – CAM LATCH		
T	137375	NUT – SLOTTED JAM 1.0 IN-20 UNEF-ZN PL		

134. Includes cam shim kit (MD #294631).

135. Includes four shims (MD #164061), two shim rings (MD #137753), and shim (MD #245199).

136. High-torque, steel-fingered reels only. Required on combines that have low reel drive pressure.

REEL COMPONENTS – DOUBLE REEL, CENTER ARM



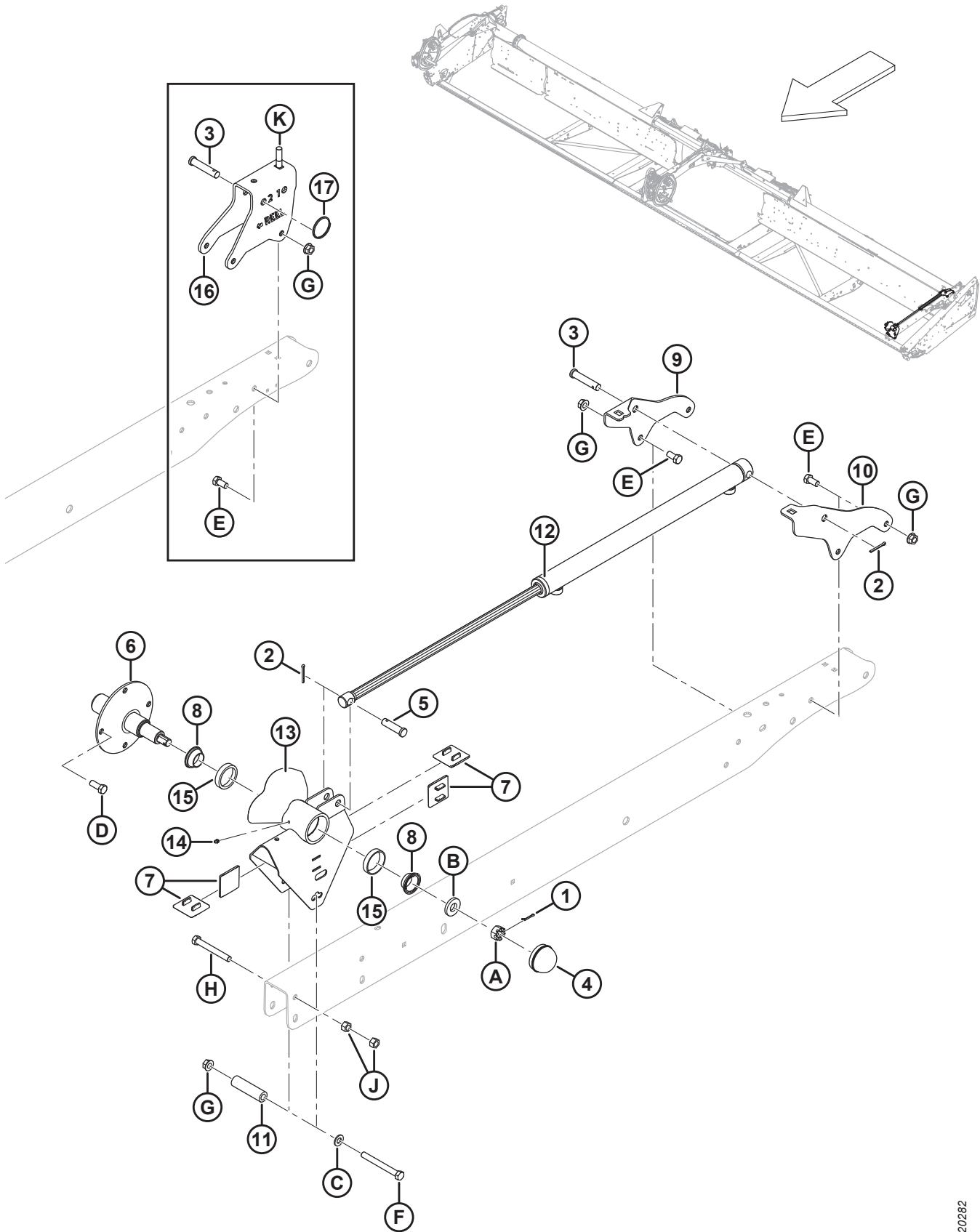
1033557



REEL COMPONENTS – DOUBLE REEL, CENTER ARM

Ref	Part Number	Description	Qty	Serial Number
U	137503	BOLT – CSK SOCK. 1/2 NC X 1.75 GR. 5 ZP		
V	137702	NUT – 1/4-20 SHEET METAL		

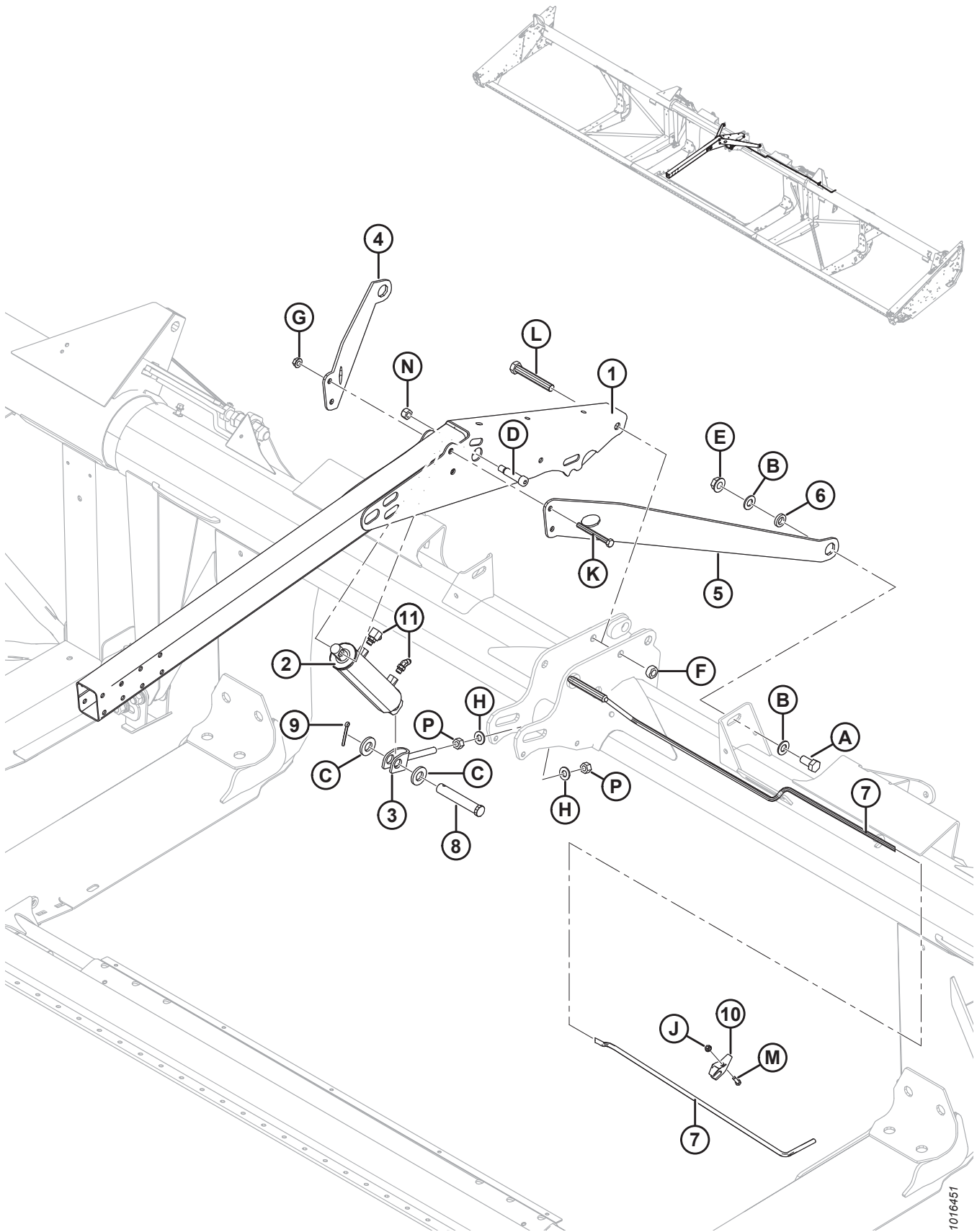
### 30 Reel Components – Single/Double Reel, Left Arm



**REEL COMPONENTS – SINGLE/DOUBLE REEL, LEFT ARM**

<b>Ref</b>	<b>Part Number</b>	<b>Description</b>	<b>Qty</b>	<b>Serial Number</b>
1	18605	PIN – COTTER 1/8 DIA X 1 ZP	1	
2	18648	PIN – COTTER 3/16 DIA X 1.25 ZP	2	
3	18738	PIN – CLEVIS	1	
4	30520	CAP – DUST	1	
5	103879	PIN – CLEVIS	1	
6	105364	SHAFT – TAIL END	1	
7	137626	PAD – REEL DRIVE WEAR	4	
8	164216	BEARING – CONE C/W SEAL	2	
9	164780	SUPPORT – FORE/AFT LH ARM, INBOARD SIDE	1	
10	164781	SUPPORT – FORE/AFT LH ARM, OUTBOARD SIDE	1	
11	164945	SPACER	1	
12	164934	CYLINDER – FORE AFT	1	
	113435	SEAL KIT		
13	253290	SUPPORT – TAIL C/W CUPS	1	
14	18671	FITTING – LUBE 1/4-28 UNF	1	
15	164215	BEARING – CUP ROLLER	2	
16	304019	BRACKET – LHS TAIL SUPPORT (EXPORT ONLY)	1	
17	118137	RING (EXPORT ONLY)	1	
A	5512	NUT – HEX SLOTTED .750-16 UNF ZN PL		
B	16235	WASHER – FLAT		
C	18599	WASHER – SAE FLAT 17/32 I.D. X 1-1/16 IN. O.D. ZP		
D	21491	BOLT – HH 1/2 NC X 1.25 LG GR 5 ZP		
E	21575	BOLT – HH 1/2 NC X 1.0 LG GR 5 ZP		
F	30209	BOLT – HH 1/2 NC X 4.5 LG GR 5 ZP		
G	50186	NUT – FLANGE LOCK SM FACE DT 0.500-13 UNC GR 5		
H	21589	BOLT – HH 1/2 NC X 4.0 LG GR 5 ZP		
J	18591	NUT – HEX 1/2-13 UNC GR 5 ZP		
K	30027	BOLT – RHSN 1/2 NC X 2.25 LG GR 5 ZP		

# 31 Reel Support Arms and Lift Cylinders – Center Arm



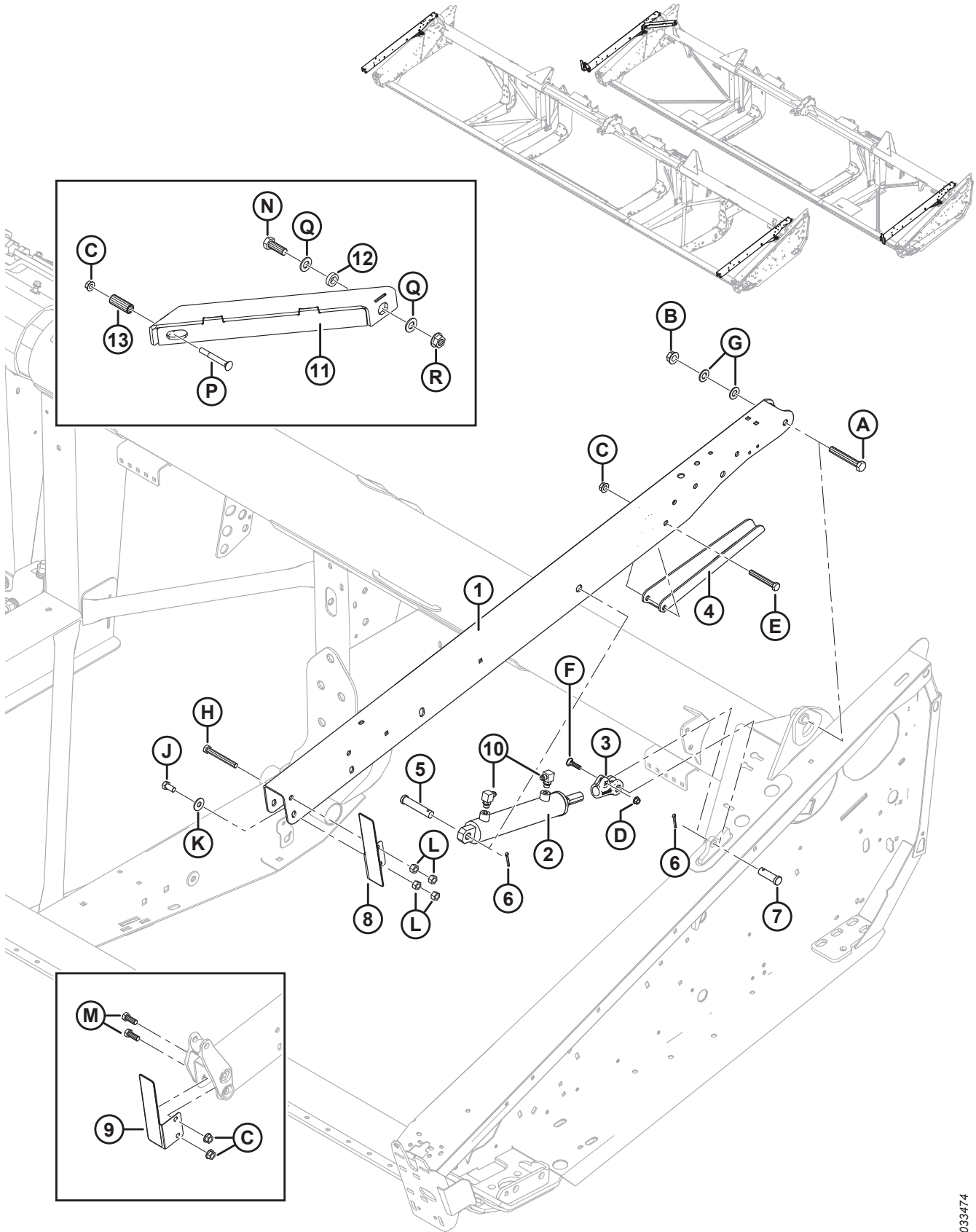
1016451

**REEL SUPPORT ARMS AND LIFT CYLINDERS – CENTER ARM**

<b>Ref</b>	<b>Part Number</b>	<b>Description</b>	<b>Qty</b>	<b>Serial Number</b>
1	164773	ARM – CENTER WELDMENT	1	
2	245671	CYLINDER – HYD CENTER	1	
	132476	SEAL KIT		
3	253412	CLEVIS WELDT	1	
4	125433	BRACE – RH REEL ARM	1	
	164800	BRACE – RH SHORT (EXPORT ONLY)	1	
5	125435	BRACE – LH REEL ARM	1	
	164825	BRACE – LH SHORT (EXPORT ONLY)	1	
6	145461	SPACER – DIAGONAL BRACE	2	
7	304221	ROD – CENTER PROP WELDT FLEX	1	
8	49341	PIN – CLEVIS	1	
9	18609	PIN – COTTER 1/4 DIA X 2 ZP	1	
10	165734	GUIDE – FLEX REEL PROP PLASTIC	1	
11	REF	FITTINGS – HYDRAULICS <sup>137</sup>		
A	30811	BOLT – HH 3/4 NC X 2.0 LG GR 8 ZP		
B	176009	WASHER – NORDLOCK 3/4 IN. SP		
C	174858	WASHER – FLAT		
D	135737	BOLT – SHOULDER, SOCKET HEAD, 3/4 X 2.25 LG		
E	135367	NUT – FLANGE DT SMTH FACE 0.75-10 UNC GR. G		
F	102636	NUT – HEX DT .750-10 UNC SIDE LOCK		
G	50186	NUT – FLANGE LOCK SM FACE DT 0.500-13 UNC GR 5		
H	30441	WASHER – HARDENED		
J	30280	NUT – FLG SIDE LK SMTH FACE 5/16 NC GR 5 ZP		
K	30209	BOLT – HH 1/2 NC X 4.5 LG GR 5 ZP		
L	30549	BOLT – HEX HD 3/4-10 X 5.5 GR5-AA1J		
M	21087	BOLT – HEX HD 5/16 NC X 1.0 LG GR 5 ZP		
N	18666	NUT – HEX LOCK DT 5/8-11 UNC ZP		
P	18592	NUT – HEX 5/8-11 UNC GR 5 ZP		

137. Refer to Section 34 *Reel Drive Hydraulics – Lift and Fore-Aft – Double Reel (FD130, FD135, FD140, and FD145)*, page 105.

# 32 Reel Support Arms and Lift Cylinders – Outer Arms



**REEL SUPPORT ARMS AND LIFT CYLINDERS – OUTER ARMS**

Ref	Part Number	Description	Qty	Serial Number
	B6890	KIT – FD125E SHORT REEL BRACE <sup>138</sup>		
1	335966	ARM – OUTER C/W DECALS <sup>139</sup>	2	
	335967	ARM – OUTER C/W DECALS (EXPORT ONLY) <sup>139</sup>	2	
2	245993	CYLINDER – HYD LH	1	
	132475	SEAL KIT		
	245992	CYLINDER – HYD RH	1	
	132474	SEAL KIT		
	174879	BREATHER – ORB #6		
3	304314	CLEVIS	2	
4	304222	SUPPORT – REEL PROP	2	
5	20312	PIN – CLEVIS	2	
6	18648	PIN – COTTER 3/16 DIA X 1.25 ZP	4	
7	18626	PIN – CLEVIS	2	
8	294068	ASSY – BRACKET W/ REFLECTOR LH <sup>140</sup>	1	
9	294069	ASSY – BRACKET W/ REFLECTOR RH <sup>140</sup>	1	
10	REF	FITTINGS – HYDRAULICS <sup>141</sup>		
11	326097	BRACE – DIAGONAL WELDT <sup>142</sup>	1	
	326181	BRACE – DIAGONAL WELDT SHORT (EXPORT ONLY) <sup>142</sup>	1	
	326192	KIT – SINGLE REEL FLEX SHORT BRACE <sup>143</sup>	A/R	
12	172158	SPACER – DIAGONAL BRACE <sup>142</sup>	1	
13	174333	SPACER <sup>142</sup>	1	
A	172922	BOLT – HH 5/8 NC X 4.125 LG GR 5 ZP		
B	50225	NUT – FLANGE DT SMOOTH FACE .625-11 UNC		
C	50186	NUT – FLANGE LOCK SM FACE DT 0.500-13 UNC GR 5		
D	30228	NUT – FLANGE DT SMOOTH FACE 0.375-16 UNC		
E	21581	BOLT – HH 1/2 NC X 3.5 LG GR 5 ZP		
F	21484	BOLT – RHSN 3/8-16 X 1.5 GR 5 ZP		
G	18600	WASHER – SAE FLAT 21/32 I.D. X 1-5/16 IN. O.D. ZP <sup>144</sup>		
H	21589	BOLT – HEX HD 1/2-13 X 4.0 GR 5-AA1J		
J	21575	BOLT – HEX HD 1/2-13 X 1.0 GR5-AA1J		
K	184589	WASHER – FLAT		
L	18591	NUT – HEX 1/2-13 UNC GR 5 ZP		
M	21491	BOLT – HEX HD 1/2-13X1.25 GR5-AA1J		
N	30811	BOLT – HEX HD 3/4-10 X 2.0 GR8-AA1J		

138. Includes Single-Reel Flex Short Brace kit (MD #326192). Kits available through Whole Goods only.

139. Includes decals (MD #335965, 174632).

140. Includes reflector (MD #115146).

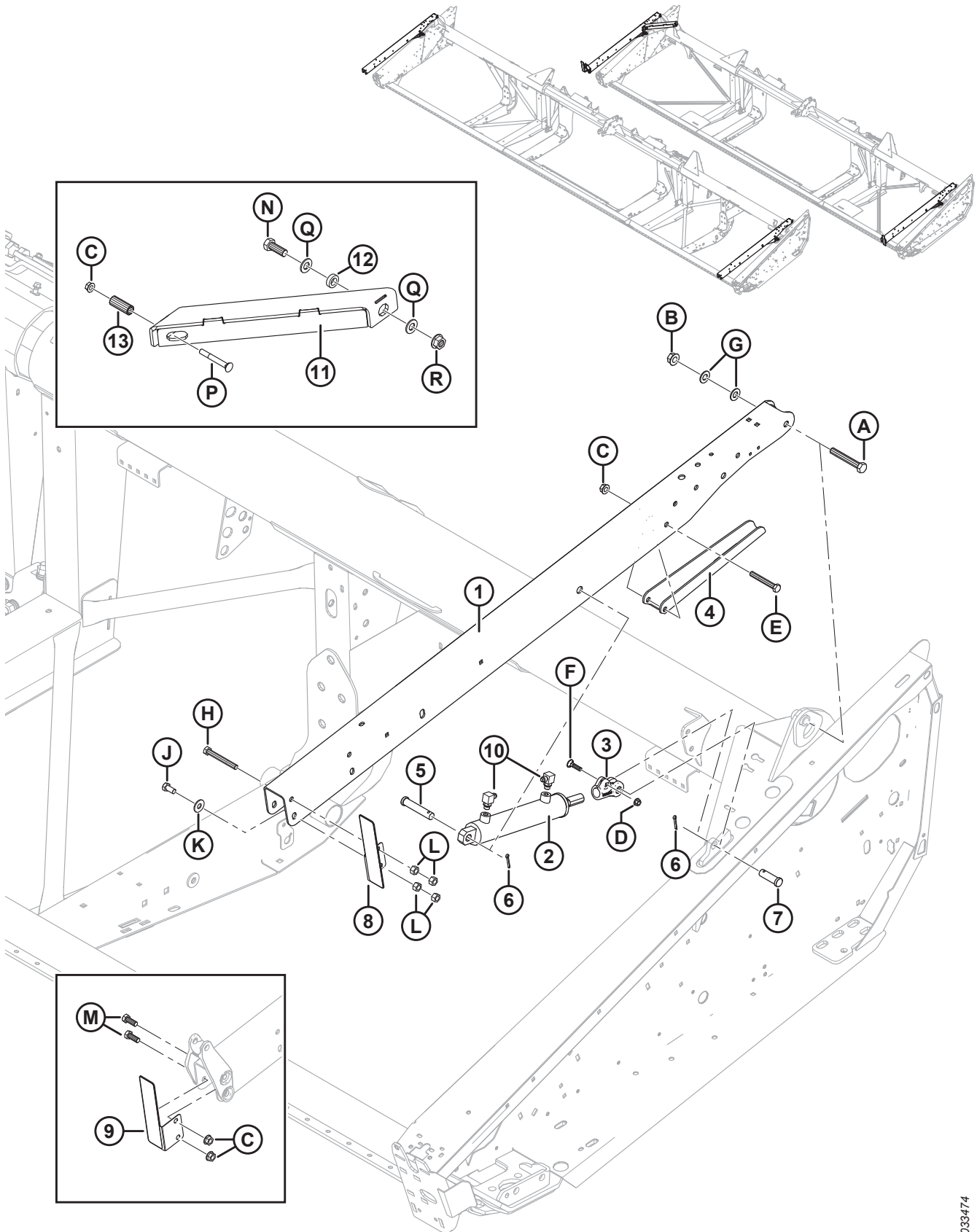
141. Refer to Sections *33 Reel Drive Hydraulics – Lift and Fore-Aft – Single Reel (FD125), page 101* and *34 Reel Drive Hydraulics – Lift and Fore-Aft – Double Reel (FD130, FD135, FD140, and FD145), page 105*.

142. Single-reel FD125 headers only.

143. Export only. Kit includes short diagonal brace (MD #326181), hardware, and instructions.

144. On FD125 headers, the washers (MD #18600) are used on the RH reel arm only.

# REEL SUPPORT ARMS AND LIFT CYLINDERS – OUTER ARMS



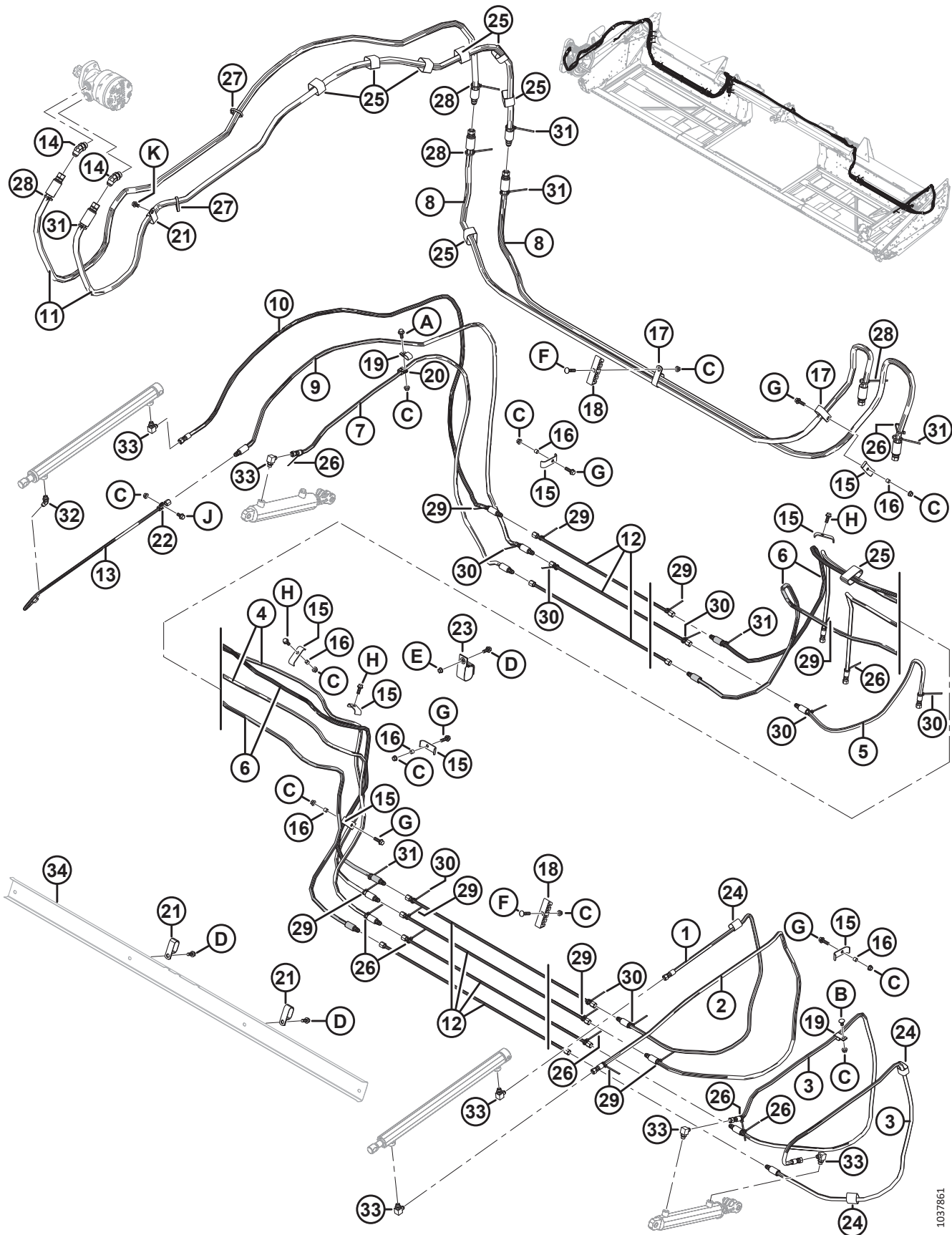
1033474



REEL SUPPORT ARMS AND LIFT CYLINDERS – OUTER ARMS

Ref	Part Number	Description	Qty	Serial Number
P	30824	BOLT – RHSN 1/2-13 X 4.0 GR5-AA1J		
Q	176009	WASHER – NORDLOCK 3/4 IN. SP		
R	135367	NUT – FLG DT 3/4-10 UNC GR8 AA1J		

### 33 Reel Drive Hydraulics – Lift and Fore-Aft – Single Reel (FD125)



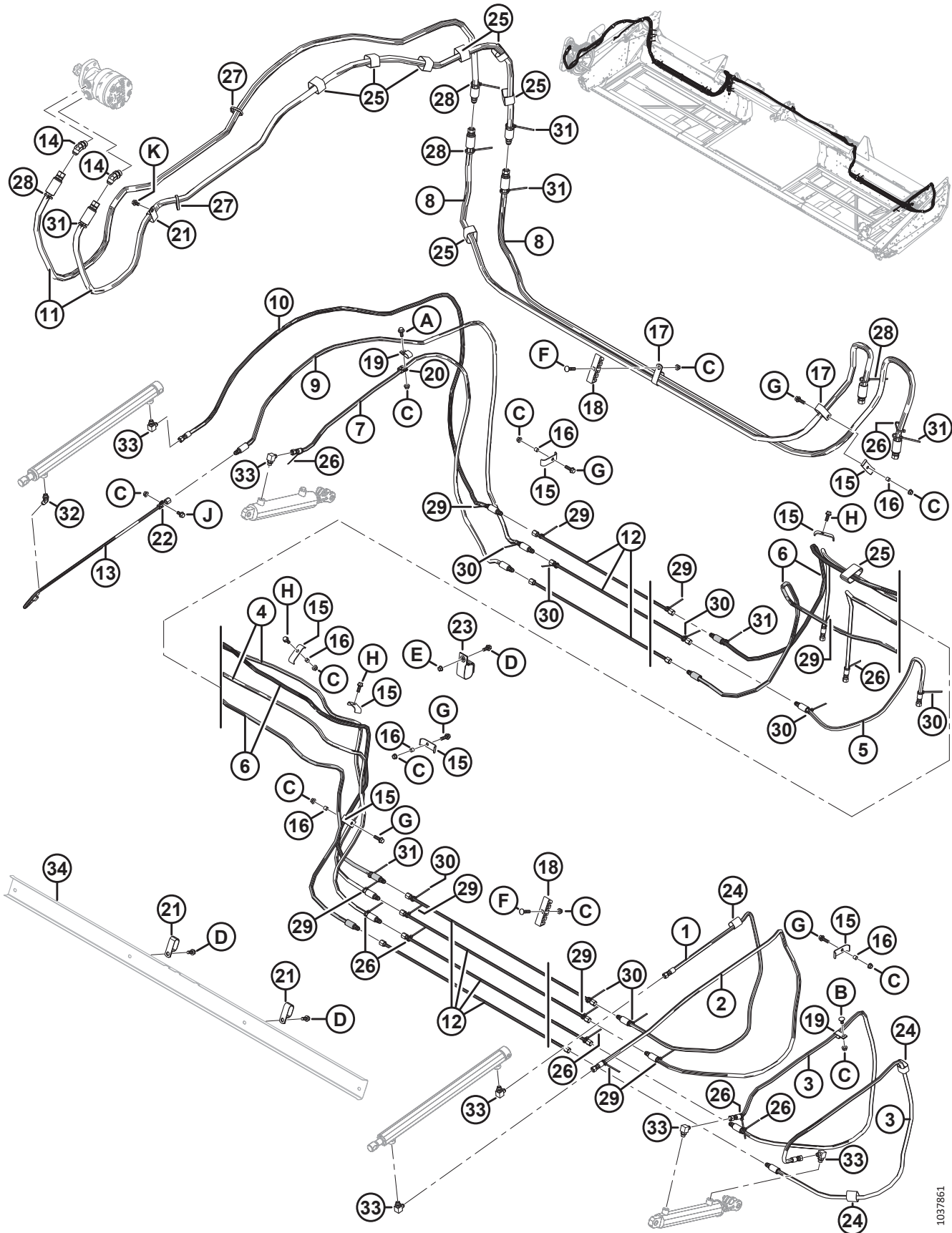
1037861

**REEL DRIVE HYDRAULICS – LIFT AND FORE-AFT – SINGLE REEL (FD125)**

Ref	Part Number	Description	Qty	Serial Number
1	220611	HOSE – HYD, 1/4 IN. I.D., 2270 MM LG, 100R17, METAL REIN.	1	
2	220610	HOSE – HYD, 1/4 IN. I.D., 2285 MM LG, 100R17, METAL REIN.	1	
3	220612	HOSE – HYD, 1/4 IN. I.D., 2025 MM LG, 100R17, METAL REIN.	2	
4	326100	HOSE – HYD, 1/4 IN. I.D., 4870 MM LG, 100R17, METAL REIN.	2	
5	220625	HOSE – HYD, 1/4 IN. I.D., 885 MM LG, 100R17, METAL REIN.	1	
6	220613	HOSE – HYD, 1/4 IN. I.D., 5470 MM LG, 100R17, METAL REIN.	2	
7	220614	HOSE – HYD, 1/4 IN. I.D., 1980 MM LG, 100R17, METAL REIN.	1	
8	326096	HOSE – HYD, 1/2 IN. I.D., 3150 MM LG, 100R17, METAL REIN.	2	
9	220609	HOSE – HYD, 1/4 IN. I.D., 2525 MM LG, 100R17, METAL REIN.	1	
10	220608	HOSE – HYD, 1/4 IN. I.D., 2525 MM LG, 100R17, METAL REIN.	1	
11	172978	HOSE – HYD, 1/2 IN. I.D., 3000 MM LG, 100R17, METAL REIN.	1	
12	326093	LINE – HYDRAULIC	7	
13	253815	LINE – HYD	1	
14	50103	FITTING – ELBOW 45° HYD, C/W O-RING 10-10	2	
15	103351	HOLDER	8	
16	294121	SPACER	6	
17	252942	CLAMP – INSULATED 1 INCH	4	
18	220478	CLAMP	5	
19	135234	CLAMP – DOUBLE HOSE INSULATED	2	
20	135716	CLAMP – INSULATED 5/8 IN.	1	
21	50022	CLAMP – INSULATED 15/16 IN.	3	
22	136410	CLAMP – INSULATED 3/8 IN.	1	
23	253305	CINCH STRAP, HANGING, 4 IN. LG	1	
24	135443	FASTENER – CINCH STRAP 4 IN. LG	3	
25	135444	CINCH STRAP 6 IN. LG	8	
26	21763	FASTENER – CABLE TIE, BLACK, 160 MM LG	8	
27	30753	FASTENER – CABLE TIE, BLACK, 305 MM LG	2	
28	40701	FASTENER – CABLE TIE, YELLOW	4	
29	40702	FASTENER – CABLE TIE, RED	9	
30	49227	FASTENER – CABLE TIE, GREEN	8	
31	49232	FASTENER – CABLE TIE, WHITE	6	
32	30284	FITTING – ELBOW 45° HYD, C/W O-RING 6-6	1	
33	30282	FITTING – ELBOW 90° HYD, C/W O-RING 6-6	6	
34	REF	HOLDER – HOSES <sup>145</sup>		
A	21447	BOLT – HH LG FLG (SER FACE) 3/8 NC X 1.0 GR 5 ZP		
B	21472	BOLT – RHSN 3/8 NC X 0.75 GR 5 ZP		
C	30228	NUT – FLANGE DT SMOOTH FACE 0.375-16 UNC		
D	21975	BOLT – HEX FLG SER HD 3/8-16 X 1.0 GR 5-AA1J		
E	118193	NUT – FLANGE HEX .375 UNC		
F	50197	BOLT – RHSN 3/8-16 X 1.75-GR5-AA1J		

145. Refer to Section *23 Draper Drive – Manual Deck Shift*, page 63.

REEL DRIVE HYDRAULICS – LIFT AND FORE-AFT – SINGLE REEL (FD125)

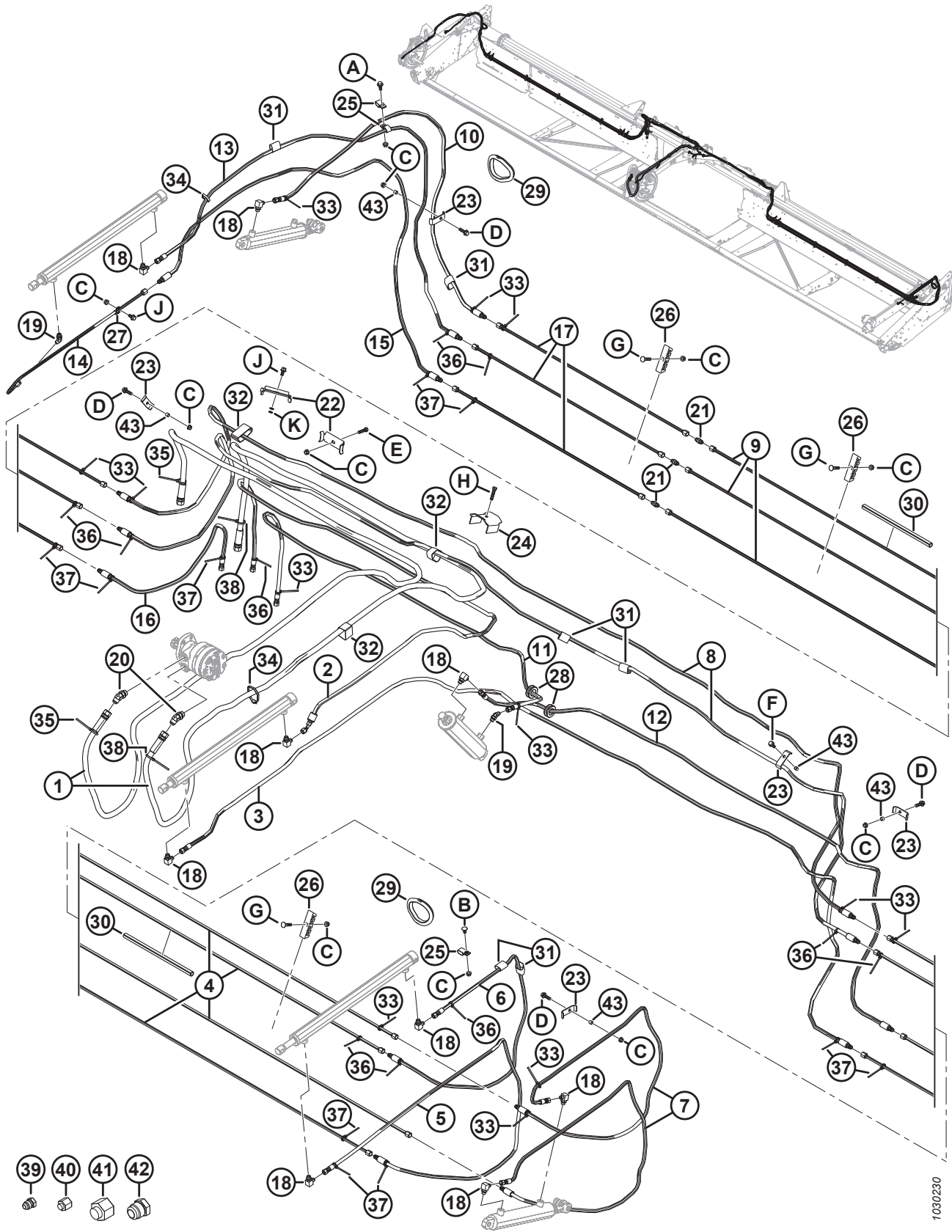


1037861

REEL DRIVE HYDRAULICS – LIFT AND FORE-AFT – SINGLE REEL (FD125)

Ref	Part Number	Description	Qty	Serial Number
G	30936	BOLT – HEX FLG SER HD 3/8-16 X 1.25 GR 5-AA1J		
H	135193	SCREW – HEX WASH HD 3/8 NC X 1.0-AA1J		
J	21821	BOLT – HEX FLG SER HD 3/8-16 X 0375 GR5-AA1J		
K	101898	SCREW – HEX WASH HD 3/8 NC X 5/8		

# 34 Reel Drive Hydraulics – Lift and Fore-Aft – Double Reel (FD130, FD135, FD140, and FD145)

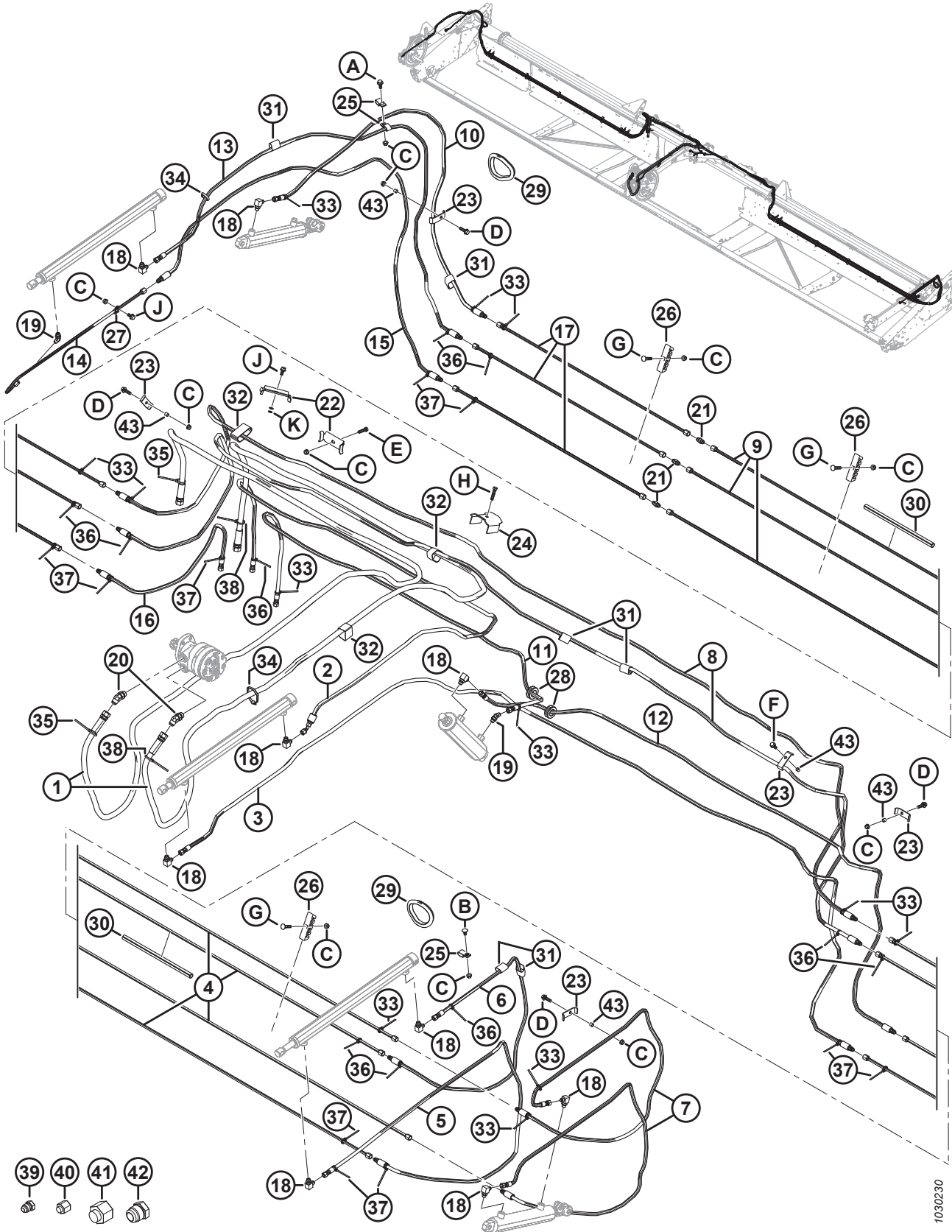


**REEL DRIVE HYDRAULICS – LIFT AND FORE-AFT – DOUBLE REEL (FD130, FD135, FD140, AND FD145)**

Ref	Part Number	Description	Qty	Serial Number
1	172758	HOSE – HYD REEL DRIVE MOTOR PRESSURE AND RETURN	2	
2	220241	HOSE – HYD, CENTER REEL FORE-AFT IN	1	
3	220607	HOSE – HYD, CENTER REEL FORE-AFT OUT	1	
4	220598	LINE – HYD, LH SIDE (30 FT)	4	
	220597	LINE – HYD, LH SIDE (35 FT)	4	
	123676	LINE – HYD, LH SIDE (40 FT)	4	
	123702	LINE – HYD, LH SIDE (45 FT)	4	
5	220610	HOSE – HYD, LEFT REEL (FORE-AFT IN)	1	
6	220611	HOSE – HYD, LEFT REEL (FORE-AFT OUT)	1	
7	220612	HOSE – HYD, LEFT REEL LIFT	2	
8	220613	HOSE – HYD, LEFT TO RIGHT REEL LIFT AND FORE-AFT, ACROSS OPENING	2	
9	220598	LINE – HYD, RH SIDE (30 FT)	3	
	220597	LINE – HYD, RH SIDE (35 FT)	3	
	220589	LINE – HYD, RH SIDE (40 AND 45 FT)	3	
10	220614	HOSE – HYD, RIGHT REEL LIFT	1	
11	220615	HOSE – HYD, CENTER (REEL LIFT IN)	1	
12	220616	HOSE – HYD, CENTER (REEL LIFT OUT)	1	
13	220608	HOSE – HYD, RIGHT REEL (FORE-AFT IN)	1	
14	253815	LINE – HYD, RIGHT REEL (FORE-AFT OUT)	1	
15	220609	HOSE – HYD RIGHT REEL (FORE-AFT TO LINE OUT)	1	
16	220625	HOSE – HYD, REEL FORE-AFT (FORE LINE TO COMBINE)	1	
17	220591	LINE – HYD (40 FT)	3	
	220590	LINE – HYD (45 FT)	3	
18	30282	FITTING – ELBOW 90° HYD, C/W O-RING 6-6	9	
19	30284	FITTING – ELBOW 45° HYD, C/W O-RING 6-6	2	
20	50103	FITTING – ELBOW 45° HYD, C/W O-RING 10-10	2	
21	30375	FITTING – UNION HYD (40-45 FT ONLY)	3	
22	294080	HOLDER	2	
23	103351	HOLDER	7	
24	123599	HOLDER – HYD HOSE, CENTER ARM	1	
25	135234	CLAMP – DOUBLE HOSE INSULATED	3	
26	220478	CLAMP <sup>146</sup>		
27	136410	CLAMP – INSUL. 3/8 IN. (LINE AT RH FORE AFT CYLINDER)	1	
28	220617	GROMMET – RUBBER, 25 MM ID	2	
29	125722	GROMMET – RUBBER, 99 MM ID (40–45 FT ONLY)	2	
30	26671	CONDUIT (45 FT ONLY)	1	
31	135443	FASTENER – CINCH STRAP 4 IN. LG	11	
32	135444	FASTENER – CINCH STRAP 6 IN. LG	8	
33	21763	FASTENER – CABLE TIE (BLACK) 190 MM LG	13	

146. Quantities: 30 ft. = 6, 35 ft. = 8, 40 ft. = 10, 45 ft. = 12.

REEL DRIVE HYDRAULICS – LIFT AND FORE-AFT – DOUBLE REEL (FD130, FD135, FD140, AND FD145)





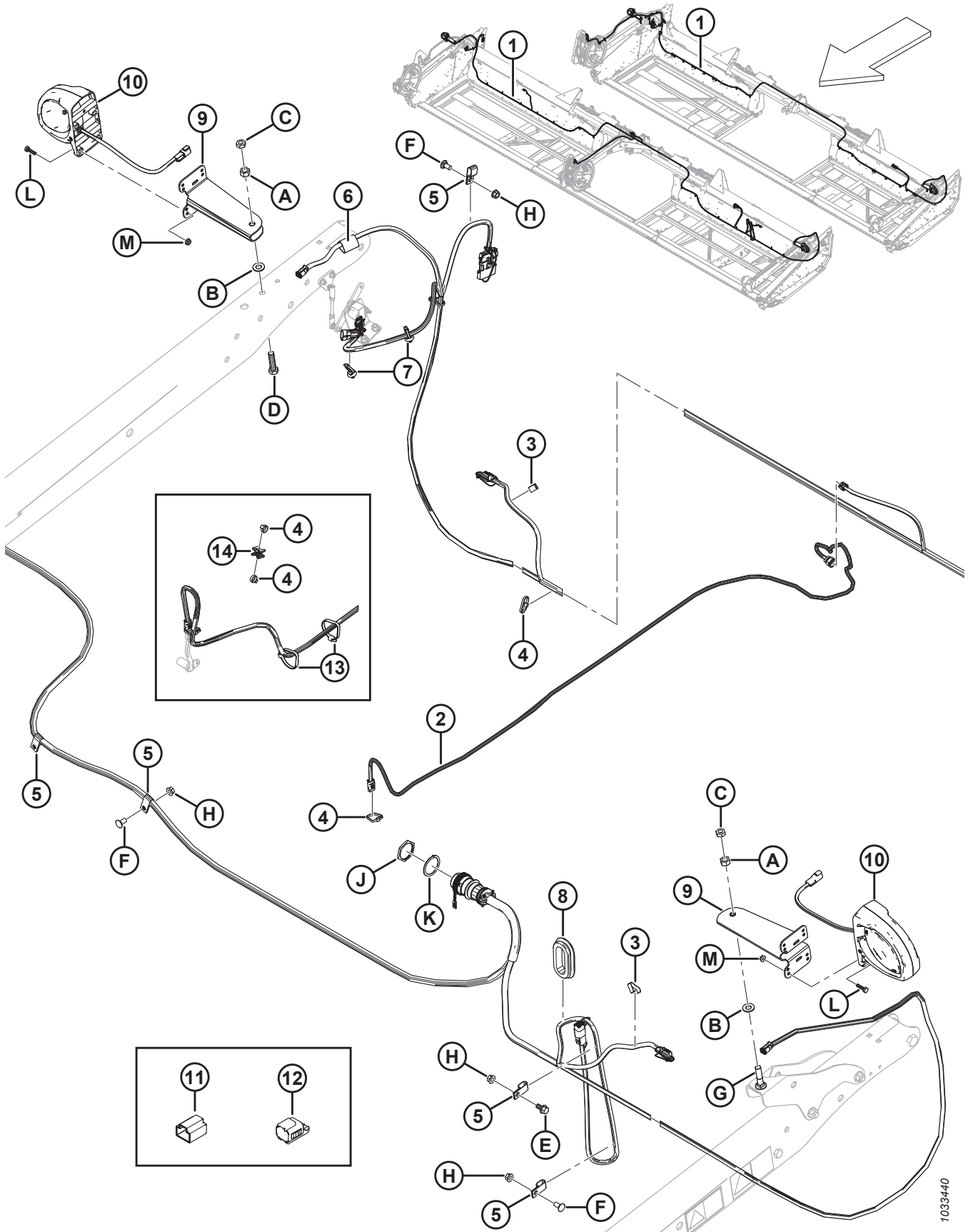
**REEL DRIVE HYDRAULICS – LIFT AND FORE-AFT – DOUBLE REEL (FD130, FD135, FD140, AND FD145)**

<b>Ref</b>	<b>Part Number</b>	<b>Description</b>	<b>Qty</b>	<b>Serial Number</b>
34	30753	FASTENER – CABLE TIE (BLACK) 365 MM LG	7	
35	40701	FASTENER – CABLE TIE (YELLOW)	2	
36	40702	FASTENER – CABLE TIE (RED)	10	
37	49227	FASTENER – CABLE TIE (GREEN)	10	
38	49232	FASTENER – CABLE TIE (WHITE)	2	
39	50178	PLUG – 3/8 IN. TUBE <sup>147</sup>	6	
40	30813	CAP – 3/8 IN. TUBE 37° FLARE <sup>147</sup>	6	
41	30999	CAP – 3/4 IN. TUBE 37° FLARE <sup>147</sup>	2	
42	103576	PLUG – 3/4 IN. TUBE <sup>147</sup>	2	
43	294121	SPACER	6	
A	21447	BOLT – HH LG FLG (SERR FACE) 3/8 NC X 1.0 GR5 ZP		
B	21472	BOLT – RHSN 3/8 NC X 0.75 GR5 ZP		
C	30228	NUT – FLANGE DT SMOOTH FACE 0.375-16 UNC		
D	30936	BOLT – HH FLG (SERR FACE) 3/8 NC X 1.25 GR5 ZP		
E	21561	BOLT – HH 3/8 NC X 1.5 LG GR 5 ZP		
F	135193	SCREW – HEX WASH HD THD ROLLING 3/8 NC X 1.0		
G	50197	BOLT – RHSN 3/8-16 X 1.75 GR 5 ZP		
H	20078	BOLT – HH 3/8 NC X 1.75 LG GR5 ZP		
J	21821	BOLT – HH FLG ( SERR FACE) 3/8 NC X 0.75 GR5 ZP		
K	133521	WASHER – 3/8 X 5/8, 0.062		

---

147. For shipping only.

# 35 Electrical Components – FD1 Series



1033440

**ELECTRICAL COMPONENTS – FD1 SERIES**

**NOTE:**

For specific electrical harness parts, refer to Electrical Connector Parts Catalog (MD #169641).

Ref	Part Number	Description	Qty	Serial Number
1	326072	HARNESS – FD125	1	
	304385	HARNESS – FD130	1	
	304386	HARNESS – FD135	1	
	304387	HARNESS – FD140	1	
	304388	HARNESS – FD145	1	
2	255328	HARNESS – REEL SPEED, FD1 SERIES	1	
3	21218	CLIP – WIRING	2	
4	21763	FASTENER – CABLE TIE, BLACK, 160 MM LG <sup>148</sup>	A/R	
5	135233	CLAMP – DOUBLE HOSE INSULATED <sup>149</sup>	A/R	
6	135443	FASTENER – CINCH STRAP 4 IN. LG	1	
7	136655	FASTENER – FIR TREE MT W/ TIE <sup>150</sup>	2	
8	172877	GROMMET – 2.38 IN. I.D. <sup>151</sup>	A/R	
9	125343	BRACKET – HEADER LIGHT	2	
10	203547	LAMP – CLEARANCE	2	
	139630	LENS – AMBER	A/R	
11	134954	DUST CAP – PLUG, 3 POS, DTM <sup>152</sup>	A/R	
12	134741	CAP – PLUG, DEUTSCH, DT, 2 POS <sup>153</sup>	A/R	
13	30753	FASTENER – CABLE TIE, BLACK, 305 MM LG <sup>154</sup>	2	
14	134442	SPACER – DUAL SWIVEL SADDLE <sup>154</sup>	15	
A	18591	NUT – HEX 1/2-13 UNC GR 5 ZP		
B	18599	WASHER – SAE FLAT 17/32 I.D. X 1-1/16 IN. O.D. ZP		
C	21056	NUT – HEX JAM 1/2-13 UNC GR 5 ZP		
D	21576	BOLT – HH 1/2 NC X 2.0 LG GR 5 ZP		
E	21821	BOLT – HH FLG (SER FACE) 3/8 NC X 0.75 GR 5 ZP		
F	21863	BOLT – RHSSN 3/8 NC X 0.75 LG GR 5 ZP		
G	30027	BOLT – RHSN 1/2 NC X 2.25 LG GR 5 ZP		
H	30228	NUT – FLANGE DT SMOOTH FACE 0.375-16 UNC		
J	134010	NUT – PANEL, HD30, SIZE 24		
K	134011	WASHER – LOCK SPRING, DEUTSCH HD, SIZE 24		
L	21573	BOLT – HEX HD 1/4 NC X 1.0 LG GR 5 ZP		
M	21455	NUT – FLG (SER FACE) 1/4 NC GR 5 ZP		

148. Quantities: 25 ft. = 38, 30 ft. = 23, 35 ft. = 31, 40 ft. = 39, 45 ft. = 47.

149. Quantities: 25 ft. = 4, 30–45 ft. = 7.

150. Located near right header lighting assembly.

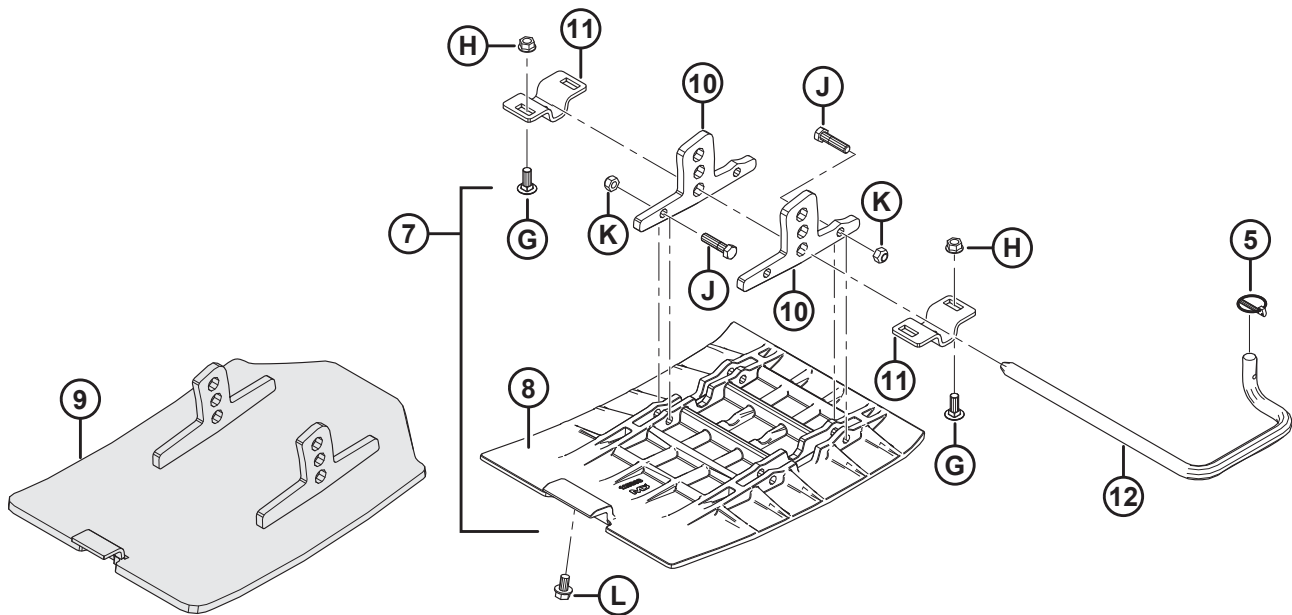
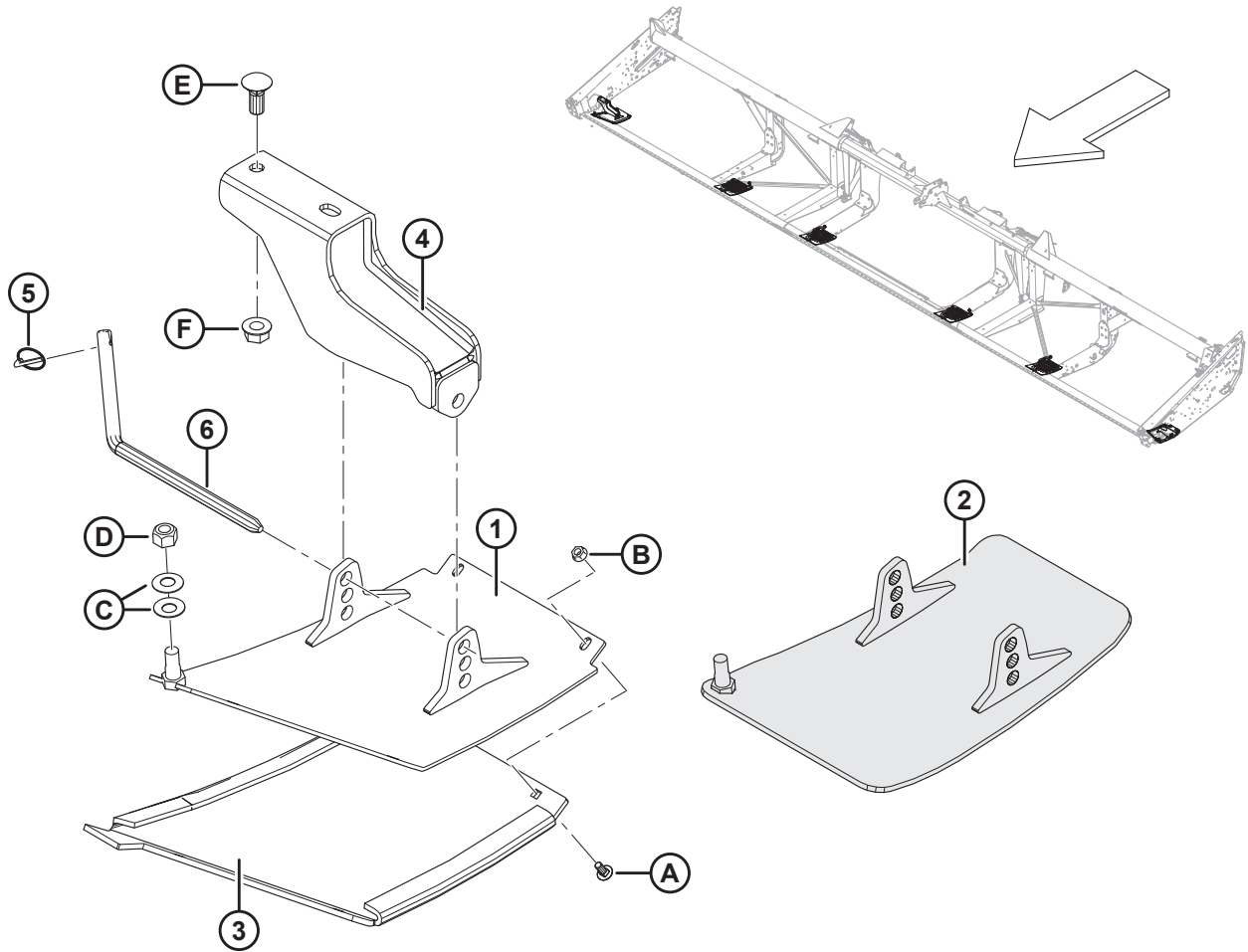
151. Quantities: 30–40 ft. = 1, 45 ft. = 2.

152. Cap required to cover socket when reel speed sensor is not installed.

153. Caps required to cover LH and RH light socket pins (P521 and P520) when exposed due to lights not being installed as per export configuration.

154. 25 ft. only.

# 36 Skid Shoes – End and Center



**SKID SHOES – END AND CENTER**

Ref	Part Number	Description	Qty	Serial Number
	B4963	KIT – OUTBOARD SKID SHOES (POLYETHYLENE) <sup>155</sup>	1	
	B5615	KIT – INBOARD SKID SHOES (POLYETHYLENE) <sup>155</sup>	2	
	B9053	KIT – SKID SHOES (STEEL) <sup>155</sup>	1	
1	172133	SHOE – LH, WELDT (POLYETHYLENE ONLY)	1	
	172134	SHOE – RH, WELDT (POLYETHYLENE ONLY)	1	
2	313875	SHOE – LH, WELDT (STEEL ONLY)	1	
	313873	SHOE – RH, WELDT (STEEL ONLY)	1	
3	165188	SHOE – LH PLASTIC WEAR (POLYETHYLENE ONLY)	1	
	165386	SHOE – RH PLASTIC WEAR (POLYETHYLENE ONLY)	1	
4	165727	SUPPORT – OUTER SHOE WELDT	2	
5	50193	PIN – LYNCH	6	
6	165722	ROD – ENGAGING	2	
7	245396	KIT – SHOE CENTER <sup>156</sup>	4	
	245397	KIT – SHOE CENTER HARDWARE <sup>157</sup>	A/R	
8	125393	SHOE – CENTER (POLYETHYLENE ONLY)	4	
9	335608	SHOE – WELDT, CENTER (STEEL ONLY)	4	
10	NSS	LUG (POLYETHYLENE ONLY) <sup>158</sup>	8	
11	165429	BRACKET – SHOE SUPPORT	8	
12	165168	ROD – ENGAGING LH	4	
	165588	ROD – ENGAGING RH	4	
A	21281	BOLT – RHSN 5/16 NC X 0.75 GR 5 ZP		
B	21403	NUT – FLG (SER FACE) 5/16 NC GR 5 ZP		
C	135448	WASHER – BELLEVILLE		
D	18666	NUT – HEX LOCK DT 5/8-11 UNC ZP		
E	18523	BOLT – RHSN 5/8 NC X 1.5 GR 5 ZP		
F	50225	NUT – FLANGE DT SMOOTH FACE .625-11 UNC		
G	19965	BOLT – RHSN 3/8 NC X 1.0 GR 5 ZP		
H	30228	NUT – FLANGE DT SMOOTH FACE 0.375-16 UNC		
J	21561	BOLT – HH 3/8 NC X 1.5 LG GR 5 ZP		
K	18669	NUT – HEX LOCK DT 3/8-16 UNC ZP		
L	101898	SCREW – HEX WASH HD THD ROLLING 3/8 NC X 5/8		

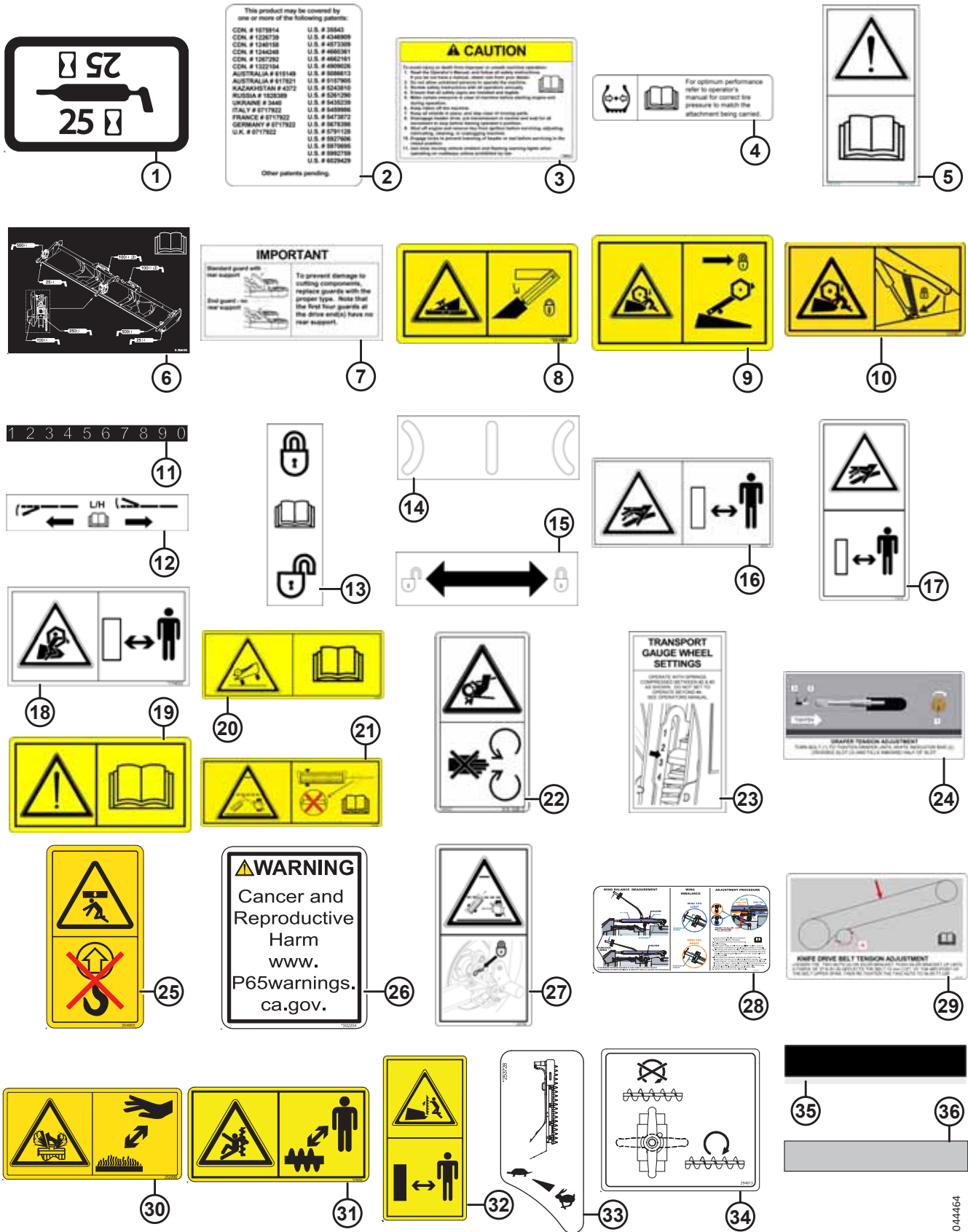
155. Kits available through Whole Goods only.

156. Includes shoe (MD #125393), two lugs (not sold separately), and hardware (MD #21561, 18669).

157. Includes two lugs (not sold separately), and hardware (MD #21561, 18669).

158. Not sold separately; to service this part, order shoe center hardware kit (MD #245397).

# 37 Decals and Reflectors

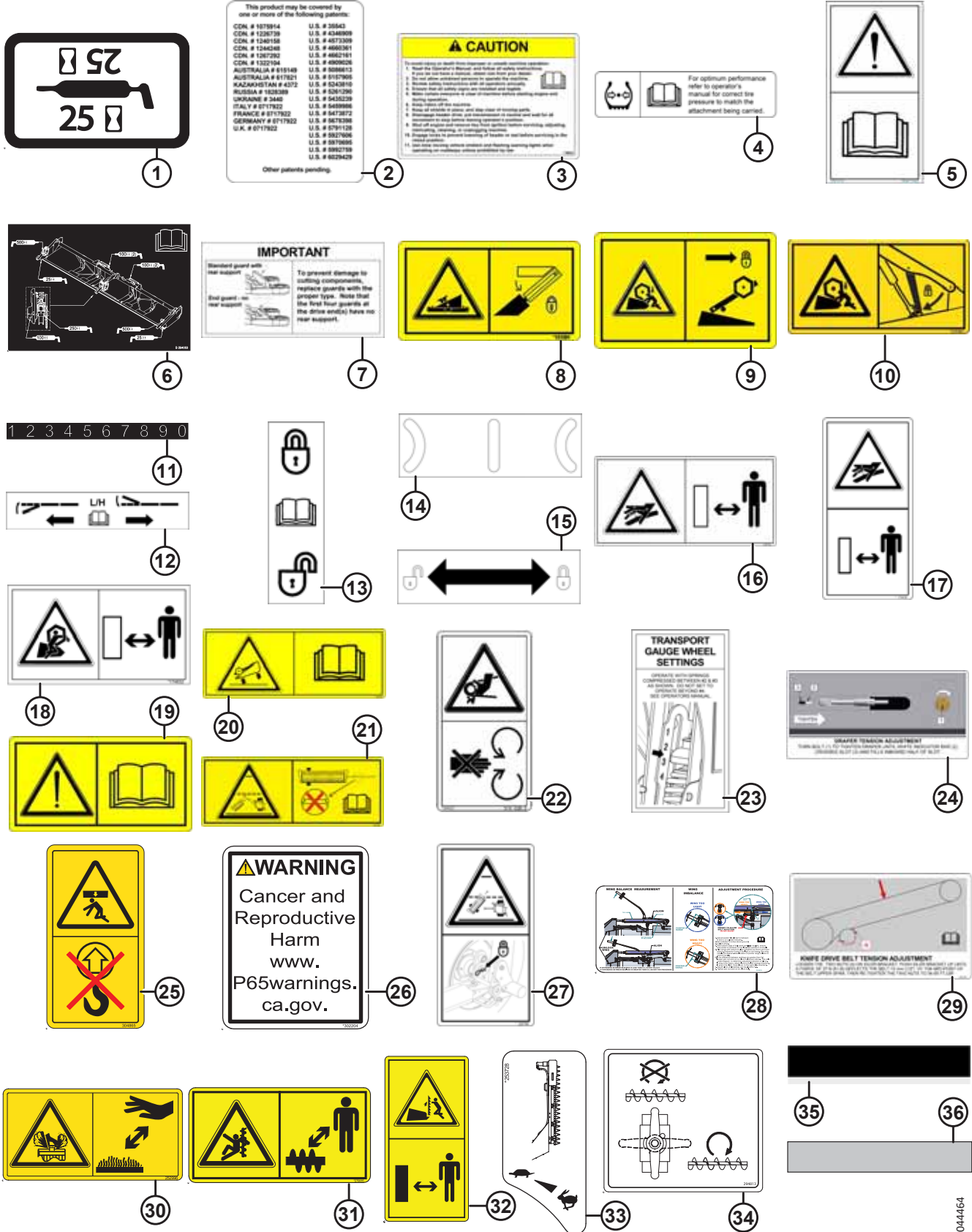


1044464

**DECALS AND REFLECTORS**

<b>Ref</b>	<b>Part Number</b>	<b>Description</b>	<b>Qty</b>	<b>Serial Number</b>
1	23164	DECAL – 25 HR LUBE		
2	32070	DECAL – PATENT NUMBER		
3	109843	DECAL – GENERAL CAUTION		
4	111221	DECAL – TIRE PRESSURE		
5	113482	DECAL – GENERAL HAZARD		
6	294063	DECAL – GREASE, FLEX		
7	129313	DECAL – IMPORTANT: GUARDS		
8	131391	DECAL – HEADER HAZARD		
9	131392	DECAL – REEL HAZARD		
10	<b>335965</b>	<b>DECAL – REEL HAZARD</b>		
11	158217	DECAL – REEL POSITION		
12	165489	DECAL – LH WING BALANCE ADJUSTMENT		
	165490	DECAL – RH WING BALANCE ADJUSTMENT		
13	165218	DECAL – WING LOCKOUT		
14	165993	DECAL – FLEX INDICATOR		
15	174676	DECAL – REEL PROP LOCK		
16	166466	DECAL – HIGH PRESSURE FLUID		
17	174436	DECAL – HIGH PRESSURE FLUID		
18	174632	DECAL – REEL ENTANGLEMENT		
19	184372	DECAL – READ MANUAL		
20	220797	DECAL – WARNING, TIP OVER		
21	220798	DECAL – WARNING, HITCH BUCKLING		
22	184422	DECAL – BELT ENTANGLEMENT		
23	193034	DECAL – TRANSPORT GAUGE WHEEL SETTING		
24	220084	DECAL – DRAPER TENSION, LH		
	279528	DECAL – DRAPER TENSION, RH		
25	304865	DECAL – NO LIFT		
26	302204	DECAL – CA PROPOSITION 65		
27	220799	DECAL – TRANSPORT HITCH		
28	284635	DECAL – LH WING BALANCE		
	284636	DECAL – RH WING BALANCE		
29	245476	DECAL – KNIFE DRIVE BELT TENSION (LH)		
	245477	DECAL – KNIFE DRIVE BELT TENSION (RH)		
30	252996	DECAL – SAFETY FLUID SPRAY		
31	279085	DECAL – WARNING, AUGER		
32	174684	DECAL – VERTICAL KNIFE		
33	253728	DECAL – VERTICAL KNIFE HYD		
34	294813	DECAL – UPPER CROSS AUGER VALVE		
35	245962	DECAL – INDICATOR		

DECALS AND REFLECTORS



1044464



**DECALS AND REFLECTORS**

Ref	Part Number	Description	Qty	Serial Number
36	115145	REFLECTOR – FLUORESCENT RED-ORANGE, 230 MM LG <sup>159</sup>		
	115146	REFLECTOR – AMBER, 230 MM LG <sup>159</sup>		
	115147	REFLECTOR – RED, 230 MM LG <sup>159</sup>		
	132852	REFLECTOR – AMBER, 638 MM LG <sup>160</sup>		
	165524	REFLECTOR – RED, 230 MM LG <sup>161</sup>		

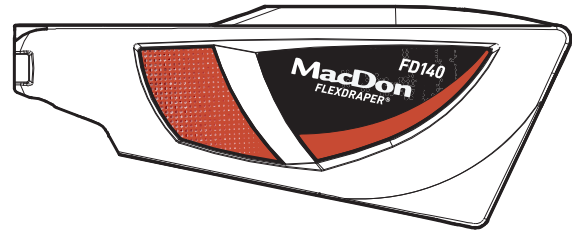
---

159. Reflector has rounded corners, for use on metal surfaces.

160. For use on reel center tube.

161. Reflector has rounded corners, for use on plastic surfaces.

# 38 Decals – Product Identification



③ — 25

④ — 30

⑤ — 35

⑥ — 40

⑦ — 45

**FFT** FLEX-FLOAT TECHNOLOGY™ — ⑧

1033444

**DECALS – PRODUCT IDENTIFICATION**

<b>Ref</b>	<b>Part Number</b>	<b>Description</b>	<b>Qty</b>	<b>Serial Number</b>
1	304083	DECAL – FD1 LH RED ACCENT		
	304084	DECAL – FD1 RH RED ACCENT		
	304114	DECAL – FD1 LH GREEN ACCENT		
	304115	DECAL – FD1 RH GREEN ACCENT		
	304116	DECAL – FD1 LH YELLOW ACCENT		
	304117	DECAL – FD1 RH YELLOW ACCENT		
	304118	DECAL – FD1 LH GREY ACCENT		
	304119	DECAL – FD1 RH GREY ACCENT		
	304122	DECAL – FD1 LH BLACK ACCENT		
	304123	DECAL – FD1 RH BLACK ACCENT		
2	255014	DECAL – LH FRONT, RED		
	255021	DECAL – RH FRONT, RED		
	255131	DECAL – LH FRONT, GREEN		
	255133	DECAL – RH FRONT, GREEN		
	255259	DECAL – LH FRONT, YELLOW		
	255260	DECAL – RH FRONT, YELLOW		
	255115	DECAL – LH FRONT, GREY		
	255316	DECAL – RH FRONT, GREY		
	255117	DECAL – LH FRONT, BLACK		
	255318	DECAL – RH FRONT, BLACK		
3	304140	DECAL – "25"		
4	304141	DECAL – "30"		
5	304142	DECAL – "35"		
6	304143	DECAL – "40"		
7	304144	DECAL – "45"		
8	245093	DECAL – FFT		

# 39 Decals – French



1



2



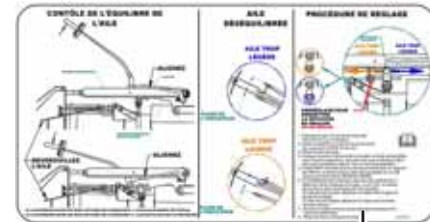
3



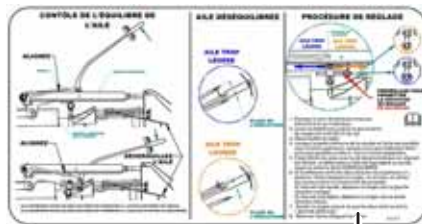
4



5



6



7



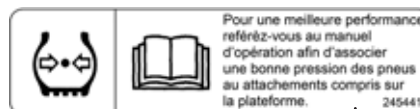
8



9



10



11



12

1023910

**DECALS – FRENCH**

<b>Ref</b>	<b>Part Number</b>	<b>Description</b>	<b>Qty</b>	<b>Serial Number</b>
1	245428	DECAL – LH DRAPER TENSION, FRENCH		
2	245432	DECAL – RH DRAPER TENSION, FRENCH		
3	245433	DECAL – IMPORTANT: GUARDS, FRENCH		
4	245434	DECAL – LH WING BALANCE ADJUSTMENT, FRENCH		
5	245435	DECAL – RH WING BALANCE ADJUSTMENT, FRENCH		
6	284672	DECAL – LH WING BALANCE, FRENCH		
7	284673	DECAL – RH WING BALANCE, FRENCH		
8	245438	DECAL – IMPORTANT: OIL OPERATING TEMP, FRENCH		
9	245439	DECAL – ADAPTER OIL DRAIN, FRENCH		
10	301369	DECAL – ADAPTER OIL LEVEL, FRENCH		
11	245441	DECAL – TIRE PRESSURE, FRENCH		
12	245443	DECAL – GAUGE WHEEL SETTING, FRENCH		

# 40 Decals – Portuguese

**IMPORTANTE**

Dedo padrão com apoio traseiro

Dedo das extremidades sem apoio traseiro

Para prevenir danos aos componentes de corte, substitua os dedos somente pelos tipos apropriados. Note que os dedos das extremidades não possuem apoio traseiro.

1

**IMPORTANTE**

Em temperaturas inferiores a 10 graus C, funcione a plataforma por 5 minutos em marcha lenta antes de operar em velocidade máxima.

2

**DRENO DO ÓLEO**

3

LE

4

LD

5

**NÍVEL DE ÓLEO**

Cheque o nível de óleo a cada 25 horas de trabalho. Certifique-se que a barra de corte esteja tocando levemente o solo para verificação. Mantenha o nível de óleo de maneira que o visor inferior esteja completo e o visor superior esteja vazio. Utilize óleo hidráulico limpo.

25

301496

6

**AJUSTE DAS RODAS ESTABILIZADORAS**

OPERE COM AS MOLAS COMPRIMIDAS EM APROXIMADAMENTE 320 mm. MEÇA O COMPRIMENTO DA MOLLA CONFORME MOSTRADO. NÃO OPERE COM COMPRIMENTO DE MOLLA INFERIOR A 255 mm. VEJA O MANUAL DO OPERADOR.

7

3 2 1

TENSIONAR

**AJUSTE DE TENSIONAMENTO DA ESTEIRA**

GIRE O PARAFUSO (1) PARA TENSIONAR A ESTEIRA ATÉ QUE A BARRA INDICADORA BRANCA (2), ATRAVESSA A CAVA (3) E COMPLETE ATÉ A METADE DA CAVA.

8

MEÇÃO DO BALANÇO DAS ASAS

ASA DESOQUILIBRADA

PROCEDIMENTO DE REGULAGEM

9

MEÇÃO DO BALANÇO DAS ASAS

ASA DESOQUILIBRADA

PROCEDIMENTO DE REGULAGEM

10

3 2 1

TENSIONAR

**AJUSTE DE TENSIONAMENTO DA ESTEIRA**

GIRE O PARAFUSO (1) PARA TENSIONAR A ESTEIRA ATÉ QUE A BARRA INDICADORA BRANCA (2), ATRAVESSA A CAVA (3) E COMPLETE ATÉ A METADE DA CAVA.

11

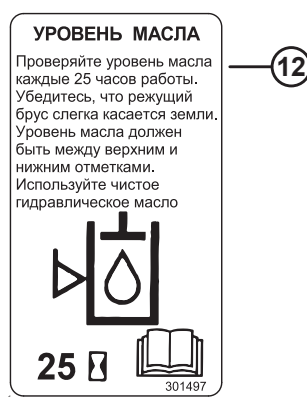
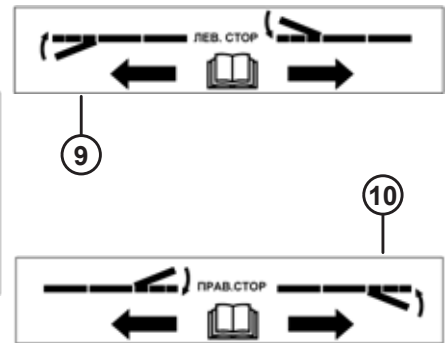
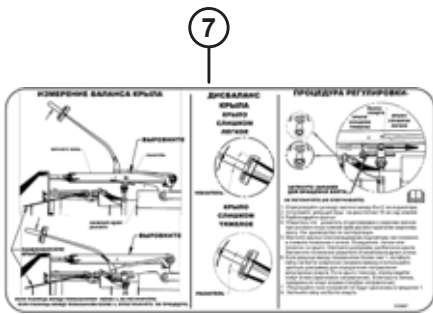
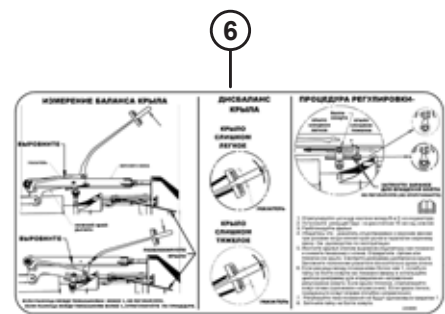
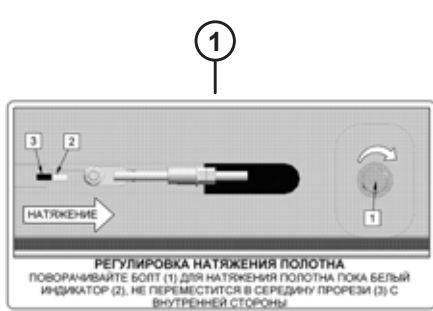
Para otimizar sua performance, veja no manual do operador a pressão correta dos pneus em função dos opcionais instalados, do modelo e tamanho de plataforma.

12

**DECALS – PORTUGUESE**

<b>Ref</b>	<b>Part Number</b>	<b>Description</b>	<b>Qty</b>	<b>Serial Number</b>
1	220817	DECAL – IMPORTANT: GUARDS, PORTUGUESE		
2	220818	DECAL – IMPORTANT: OIL OPERATING TEMP, PORT		
3	220819	DECAL – ADAPTER OIL DRAIN, PORTUGUESE		
4	220820	DECAL – LH WING BALANCE ADJUSTMENT, PORTUGUESE		
5	220821	DECAL – RH WING BALANCE ADJUSTMENT, PORTUGUESE		
6	301496	DECAL – ADAPTER OIL LEVEL, PORTUGUESE		
7	220823	DECAL – GAUGE WHEEL SETTING, PORTUGUESE		
8	220824	DECAL – LH DRAPER TENSION, PORTUGUESE		
9	284668	DECAL – LH WING BALANCE, PORTUGUESE		
10	284669	DECAL – RH WING BALANCE, PORTUGUESE		
11	220836	DECAL – RH DRAPER TENSION, PORTUGUESE		
12	220885	DECAL – TIRE PRESSURE, PORTUGUESE		

# 41 Decals – Russian





**DECALS – RUSSIAN**

<b>Ref</b>	<b>Part Number</b>	<b>Description</b>	<b>Qty</b>	<b>Serial Number</b>
1	220831	DECAL – LH DRAPER TENSION, RUSSIAN		
2	220832	DECAL – IMPORTANT: GUARDS, RUSSIAN		
3	220833	DECAL – TRANSPORT GAUGE WHEEL SETTING, RUSSIAN		
4	220834	DECAL – RH DRAPER TENSION, RUSSIAN		
5	220863	DECAL – GAUGE WHEEL SETTING, RUSSIAN		
6	284670	DECAL – RH WING BALANCE, RUSSIAN		
7	284671	DECAL – LH WING BALANCE, RUSSIAN		
8	220868	DECAL – IMPORTANT: OIL OPERATING TEMP. RUSSIAN		
9	220869	DECAL – LH WING BALANCE ADJUSTMENT, RUSSIAN		
10	220870	DECAL – RH WING BALANCE ADJUSTMENT, RUSSIAN		
11	220871	DECAL – ADAPTER OIL DRAIN, RUSSIAN		
12	301497	DECAL – ADAPTER OIL LEVEL, RUSSIAN		
13	166309	DECAL – TIRE PRESSURE, RUSSIAN		

# 42 Decals – Spanish

**IMPORTANTE**

Puntón estándar con guía



Puntón sin guía



Para evitar peligro de rotura en las piezas de corte, reemplace los puntones con el modelo correspondiente. Note que los primeros cuatro puntones junto a la caja de mando de las cuchillas no tienen guía.

1

**IMPORTANTE**



En temperaturas inferiores a 10 grados C, hacer andar la plataforma regulando por 5 minutos antes de operar a máximo régimen.

2

**DRENAJE DE ACEITE**




3

L/Izq



4

L/Der



5

**NIVEL DE ACEITE**

Chequear el nivel de aceite cada 25 horas de operación. Asegurar que la barra de corte esté ligeramente en contacto con el suelo. Mantener el nivel de aceite para que la ventana inferior esté llena y la superior esté vacía. Utilice aceite hidráulico limpio.



25  301495

6

**INDICADOR AJUSTE RUEDA**

OPERAR CON RESORTES COMPRIMIDOS A UNA DISTANCIA DE 320 mm APPROX. MIDA LA COMPRESIÓN DEL RESORTE COMO SE MUESTRA. NO OPERAR CON UNA COMPRESIÓN MENOR A 295 mm. VEA EL MANUAL DEL OPERADOR.



7



**AJUSTE TENSION LONA**

GIRAR TORNILLO (1) PARA TENSAR LA LONA HASTA QUE EL TESTIGO BLANCO (2), PASE LA RANURA (3) Y LLENE LA MITAD DE LA RANURA.

APRETAR

8


**MEDICIÓN PARA BALANCE DE ALAS**

**ALA DESBALANZADA**

**ALA BUENA**

**ALA BUENA PESADA**

**PROCEDIMIENTO DE AJUSTE**



9


**MEDICIÓN PARA BALANCE DE ALAS**

**ALA DESBALANZADA**

**ALA BUENA**

**ALA BUENA PESADA**

**PROCEDIMIENTO DE AJUSTE**



10




**AJUSTE TENSION LONA**

GIRAR TORNILLO (1) PARA TENSAR LA LONA HASTA QUE EL TESTIGO BLANCO (2), PASE LA RANURA (3) Y LLENE LA MITAD DE LA RANURA.

APRETAR

11



Para un óptimo rendimiento consulte el manual del operador respecto a la correcta presión de los neumáticos dependiendo del equipo que remolca.

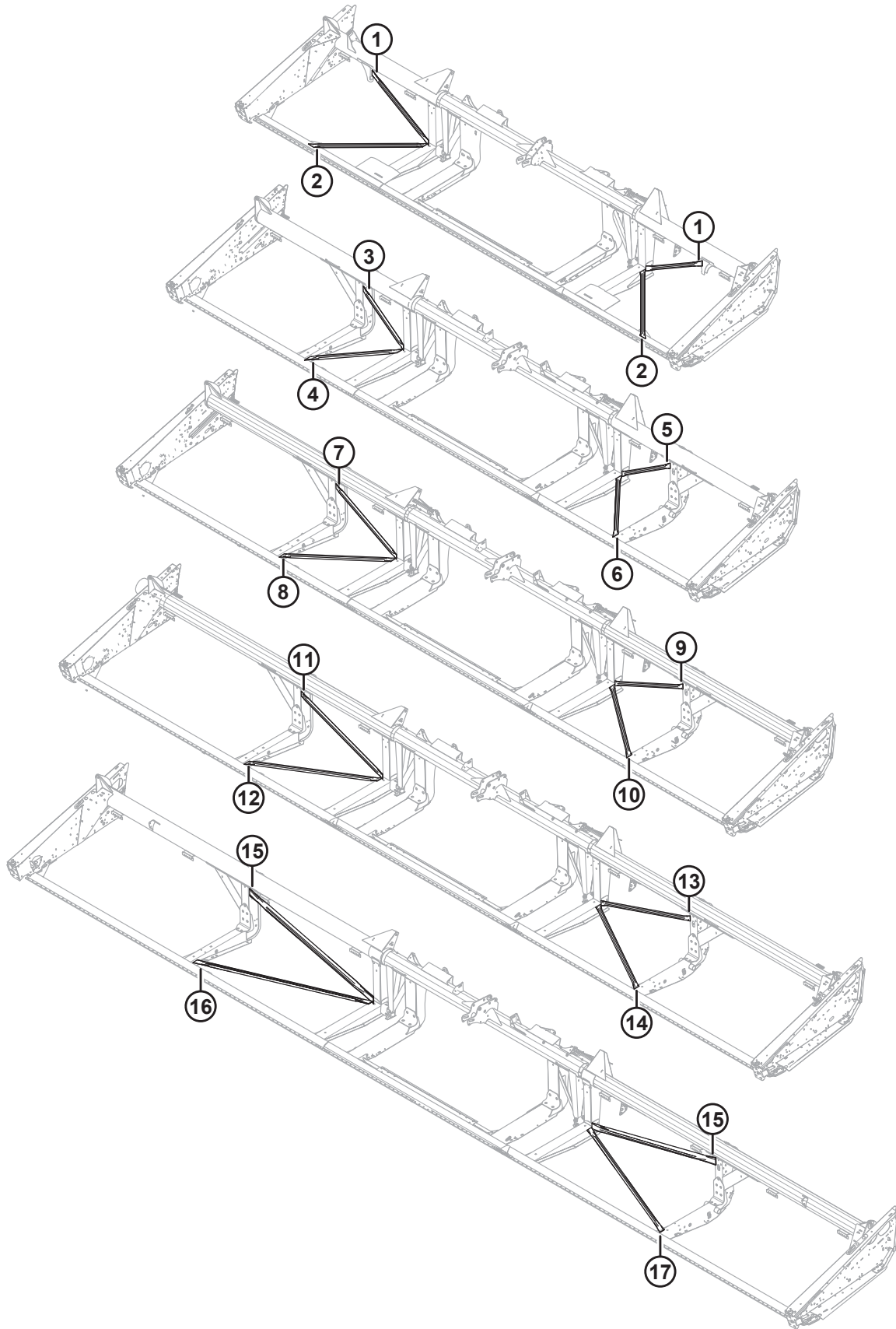
12

1023916

**DECALS – SPANISH**

<b>Ref</b>	<b>Part Number</b>	<b>Description</b>	<b>Qty</b>	<b>Serial Number</b>
1	220807	DECAL – IMPORTANT: GUARDS, SPANISH		
2	220808	DECAL – IMPORTANT: OIL OPERATING TEMP. SPANISH		
3	220809	DECAL – ADAPTER OIL DRAIN, SPANISH		
4	220810	DECAL – LH WING BALANCE ADJUSTMENT, SPANISH		
5	220811	DECAL – RH WING BALANCE ADJUSTMENT, SPANISH		
6	301495	DECAL – ADAPTER OIL LEVEL, SPANISH		
7	220813	DECAL – GAUGE WHEEL SETTING, SPANISH		
8	220814	DECAL – LH DRAPER TENSION, SPANISH		
9	284666	DECAL – LH WING BALANCE, SPANISH		
10	284667	DECAL – RH WING BALANCE, SPANISH		
11	220835	DECAL – RH DRAPER TENSION, SPANISH		
12	220876	DECAL – TIRE PRESSURE, SPANISH		

# 43 (Option) Brace Tube Kits



1033473

## (OPTION) BRACE TUBE KITS

### IMPORTANT:

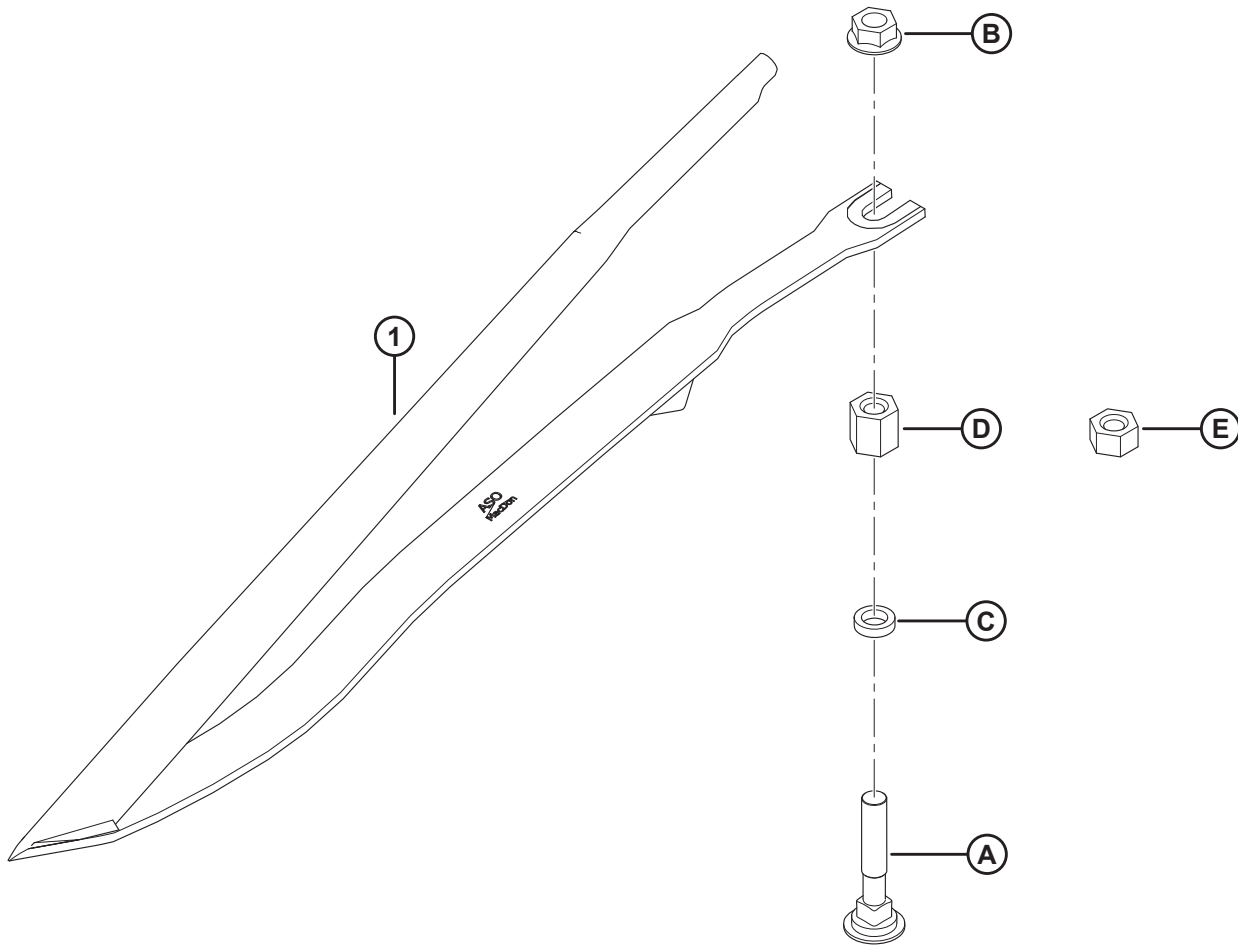
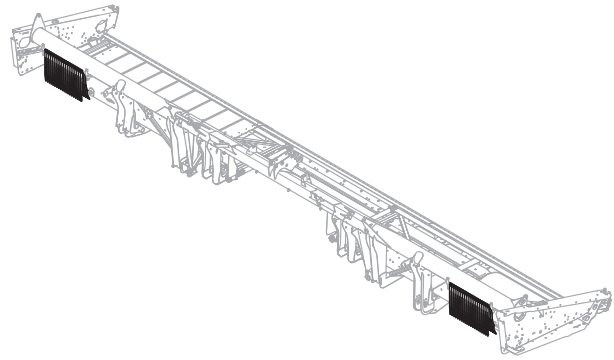
Kits provided by MacDon Industries Ltd. in order to assist you in fixing damage caused by the end user to certain machinery manufactured by MacDon Industries Ltd. By receiving and installing these parts you assume all risk and liability of any nature arising out of the installation of this part. MacDon Industries Ltd. and its affiliates disclaim any and all liability arising from installation of this part. If installation of this part requires welding, such welding should be performed by an individual certified by an accredited institute in your jurisdiction with the necessary welding qualifications and/or certifications.

### NOTE:

Brace kits can be used on single or double knife and regular or split frames.

Ref	Part Number	Description	Qty	Serial Number
1	326152	KIT – TUBE DIAG. BRACE, 25 FT FLEX, VERTICAL	2	
2	326153	KIT – TUBE DIAG. BRACE, 25 FT FLEX, HORIZONTAL	2	
3	294657	KIT – TUBE DIAG. BRACE, 30 FT FLEX, VERTICAL RH	1	
4	294658	KIT – TUBE DIAG. BRACE, 30 FT FLEX, HORIZONTAL RH	1	
5	294655	KIT – TUBE DIAG. BRACE, 30 FT FLEX, VERTICAL LH	1	
6	294656	KIT – TUBE DIAG. BRACE, 30 FT FLEX, HORIZONTAL LH	1	
7	294653	KIT – TUBE DIAG. BRACE, 35 FT FLEX, VERTICAL RH	1	
8	294654	KIT – TUBE DIAG. BRACE, 35 FT FLEX, HORIZONTAL RH	1	
9	294651	KIT – TUBE DIAG. BRACE, 35 FT FLEX, VERTICAL LH	1	
10	294652	KIT – TUBE DIAG. BRACE, 35 FT FLEX, HORIZONTAL LH	1	
11	294661	KIT – TUBE DIAG. BRACE, 40 FT FLEX, VERTICAL RH	1	
12	294669	KIT – TUBE DIAG. BRACE, 40 FT FLEX, HORIZONTAL RH	1	
13	294659	KIT – TUBE DIAG. BRACE, 40 FT FLEX, VERTICAL LH	1	
14	294660	KIT – TUBE DIAG. BRACE, 40 FT FLEX, HORIZONTAL LH	1	
15	294636	KIT – TUBE DIAG. BRACE, 45 FT FLEX, VERTICAL	2	
16	304547	KIT – TUBE DIAG. BRACE, 45 FT FLEX, HORIZONTAL RH	1	
17	304548	KIT – TUBE DIAG. BRACE, 45 FT FLEX, HORIZONTAL LH	1	

# 44 (Option) Crop Lifters



(OPTION) CROP LIFTERS

**NOTE:**

A single kit (B6411) contains ten steel crop lifters (MD #255929) and hardware.

Ref	Part Number	Description	Qty	Serial Number
	B6411	KIT – CROP LIFTERS <sup>162</sup>		
1	255929	STEEL CROP LIFTER <sup>163</sup>	A/R	
A	279575	BOLT – RHSN 7/16-14 X 2.5-GR5-ZP		
B	21761	NUT – FLG SMOOTH FACE 1/16 NC GR 5 ZP		
C	255930	WASHER – FLAT		
D	255927	NUT – HEX COUPLING 7/16-14 20 MM LG <sup>164</sup>		
E	255928	NUT – HEX COUPLING 7/16-14 11 MM LG <sup>165</sup>		

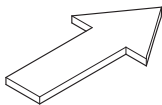
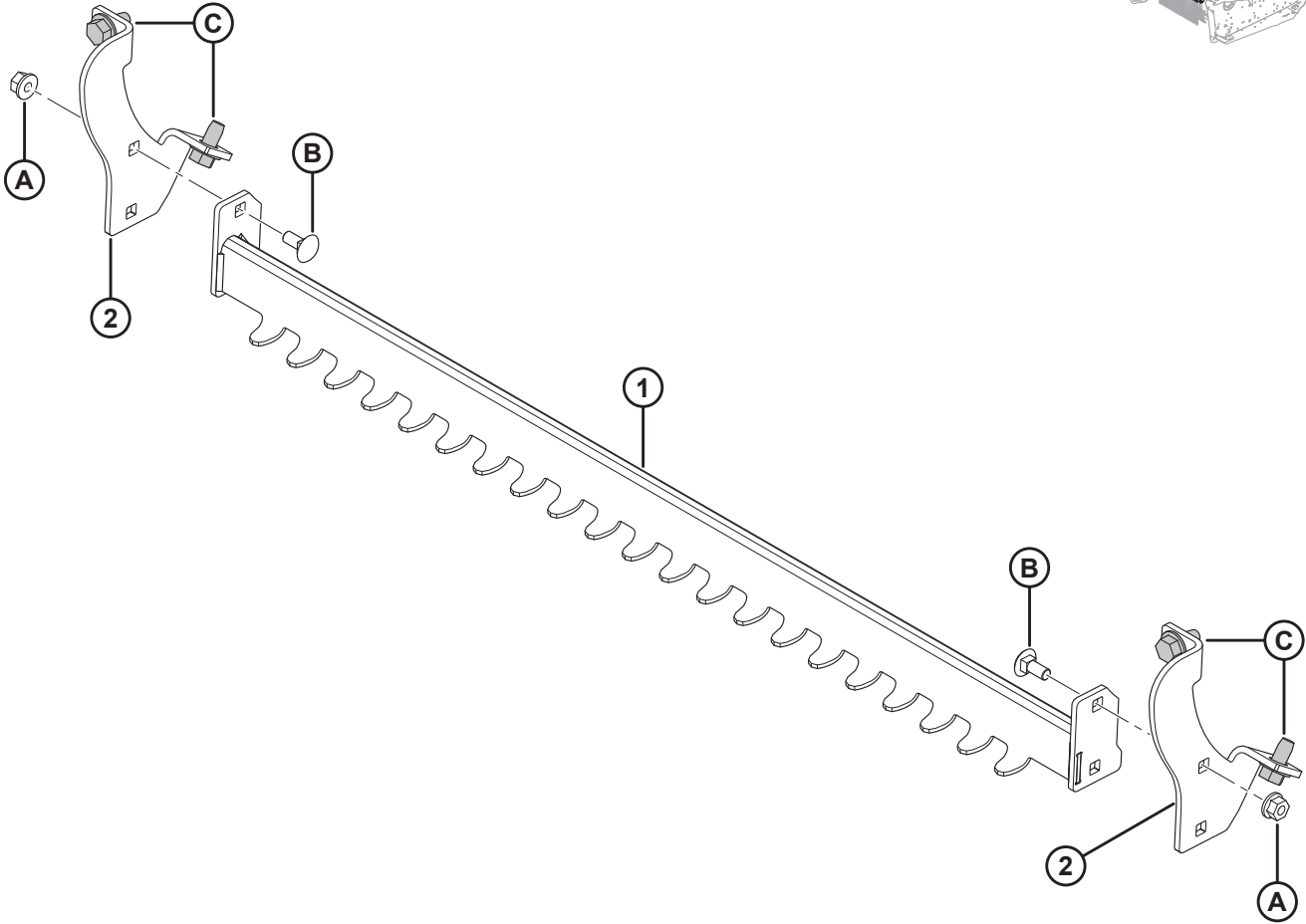
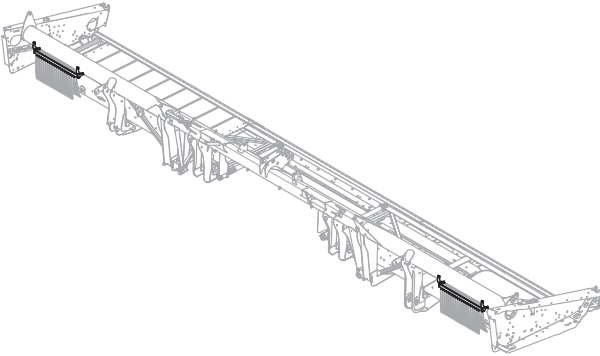
162. Quantity of kits required varies depending on header width. Complete header quantities: 25–30 ft. = 3, 35–40 ft. = 4, 45 ft. = 5. Kits available through Whole Goods only with a new header. For existing headers, order steel crop lifters (MD #255929) and hardware A–E as required.

163. Complete header quantities: 25–30 ft. = 30, 35–40 ft. = 40, 45 ft. = 50.

164. For tracked combines.

165. For wheeled combines.

# 45 (Option) Crop Lifter Rack





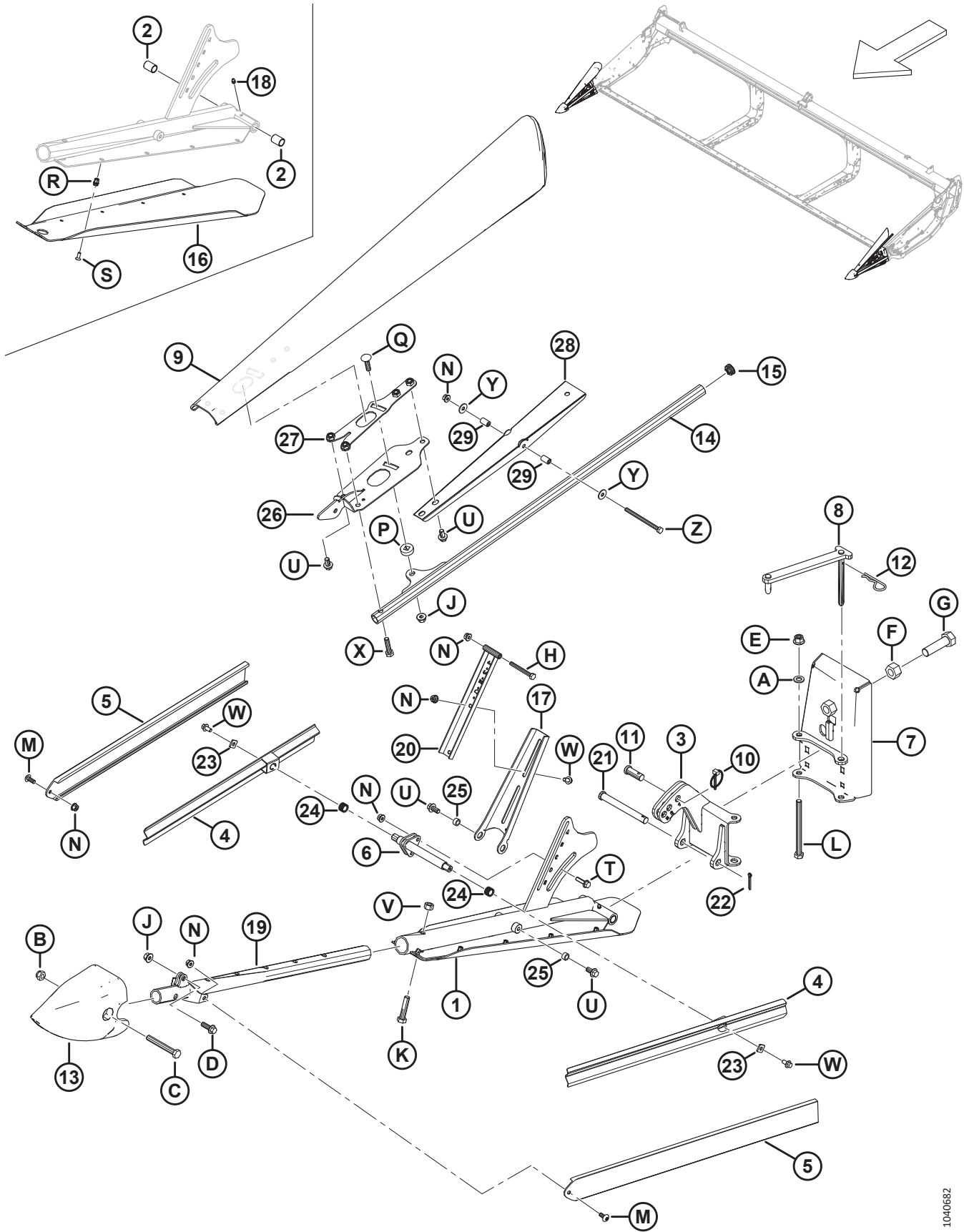
(OPTION) CROP LIFTER RACK

Ref	Part Number	Description	Qty	Serial Number
	B6376	CROP LIFTER RACK <sup>166</sup>		
1	279636	SUPPORT – LIFTER RACK WELDT	2	
2	279876	SUPPORT – LIFTER RACK	4	
A	152863	NUT – HEX FLG STVR LOC M8 X 1.25-10-AA2L		
B	197171	BOLT – RHSN M8 X 1.25 X 20-8.8-A2L		
C	136209	SCREW – HEX WASHER HD M10 X 1.5 X 20-450HV-A3L		

---

166. Kits available through Whole Goods only.

# 46 (Option) Floating Crop Dividers



(OPTION) FLOATING CROP DIVIDERS

NOTE:

Some parts in this bundle are replaced with parts in [47 \(Option\) Floating Crop Dividers Adapter Kit, page 137](#).

Ref	Part Number	Description	Qty	Serial Number
	<b>B7346</b>	<b>KIT – FLOATING END DIVIDERS</b> <sup>167</sup>		
1	<b>360072</b>	<b>ASSY – LH SHOE SUPPORT</b> <sup>168</sup>	<b>1</b>	
	<b>360114</b>	<b>ASSY – RH SHOE SUPPORT</b> <sup>169</sup>	<b>1</b>	
2	<b>258391</b>	<b>BUSHING</b>	<b>4</b>	
3	<b>360079</b>	<b>HINGE WELDT – LH</b>	<b>1</b>	
	<b>360119</b>	<b>HINGE WELDT – RH</b>	<b>1</b>	
4	<b>360077</b>	<b>RAIL – DEFLECTOR WELDT</b>	<b>4</b>	
5	<b>360122</b>	<b>DEFLECTOR – EXTRUDED</b>	<b>4</b>	
6	<b>360106</b>	<b>WELDT – SIDE SUPPORT</b>	<b>2</b>	
7	<b>360069</b>	<b>REAR PLATE WELDT – LH</b>	<b>1</b>	
	<b>360134</b>	<b>REAR PLATE WELDT – RH</b>	<b>1</b>	
8	<b>360004</b>	<b>LINK WELDT – LH</b>	<b>1</b>	
	<b>360168</b>	<b>LINK WELDT – RH</b>	<b>1</b>	
9	<b>360723</b>	<b>DEFLECTOR – LH</b>	<b>1</b>	
	<b>360939</b>	<b>KIT – DEFLECTOR, LH</b> <sup>170</sup>	<b>A/R</b>	
	<b>360848</b>	<b>DEFLECTOR – RH</b>	<b>1</b>	
	<b>360940</b>	<b>KIT – DEFLECTOR, RH</b> <sup>171</sup>	<b>A/R</b>	
10	<b>102264</b>	<b>PIN – LYNCH 3/16 X 1 9/16 IN.</b>	<b>2</b>	
11	<b>18619</b>	<b>PIN – CLEVIS</b>	<b>2</b>	
12	<b>13125</b>	<b>PIN – HAIR</b>	<b>2</b>	
13	<b>313461</b>	<b>CONE – DIVIDER</b>	<b>2</b>	
14	<b>360103</b>	<b>TUBE – WELDMENT</b>	<b>2</b>	
15	<b>335301</b>	<b>PLUG – PLASTIC, SNAP-IN</b>	<b>2</b>	
16	<b>340212</b>	<b>SHOE – LH</b>	<b>1</b>	
	<b>340210</b>	<b>SHOE – RH</b>	<b>1</b>	
17	<b>360110</b>	<b>SUPPORT – LH TOP DEFLECTOR</b>	<b>1</b>	
	<b>360120</b>	<b>SUPPORT – RH TOP DEFLECTOR</b>	<b>1</b>	
18	<b>18671</b>	<b>FITTING – LUBE 1/4-28 UNF</b>	<b>2</b>	
19	<b>360076</b>	<b>SUPPORT WELDT – FRONT</b>	<b>2</b>	
20	<b>360108</b>	<b>DEFLECTOR SUPPORT</b>	<b>2</b>	
21	<b>49378</b>	<b>PIN – CLEVIS</b>	<b>2</b>	

167. Kits are available through Whole Goods only.

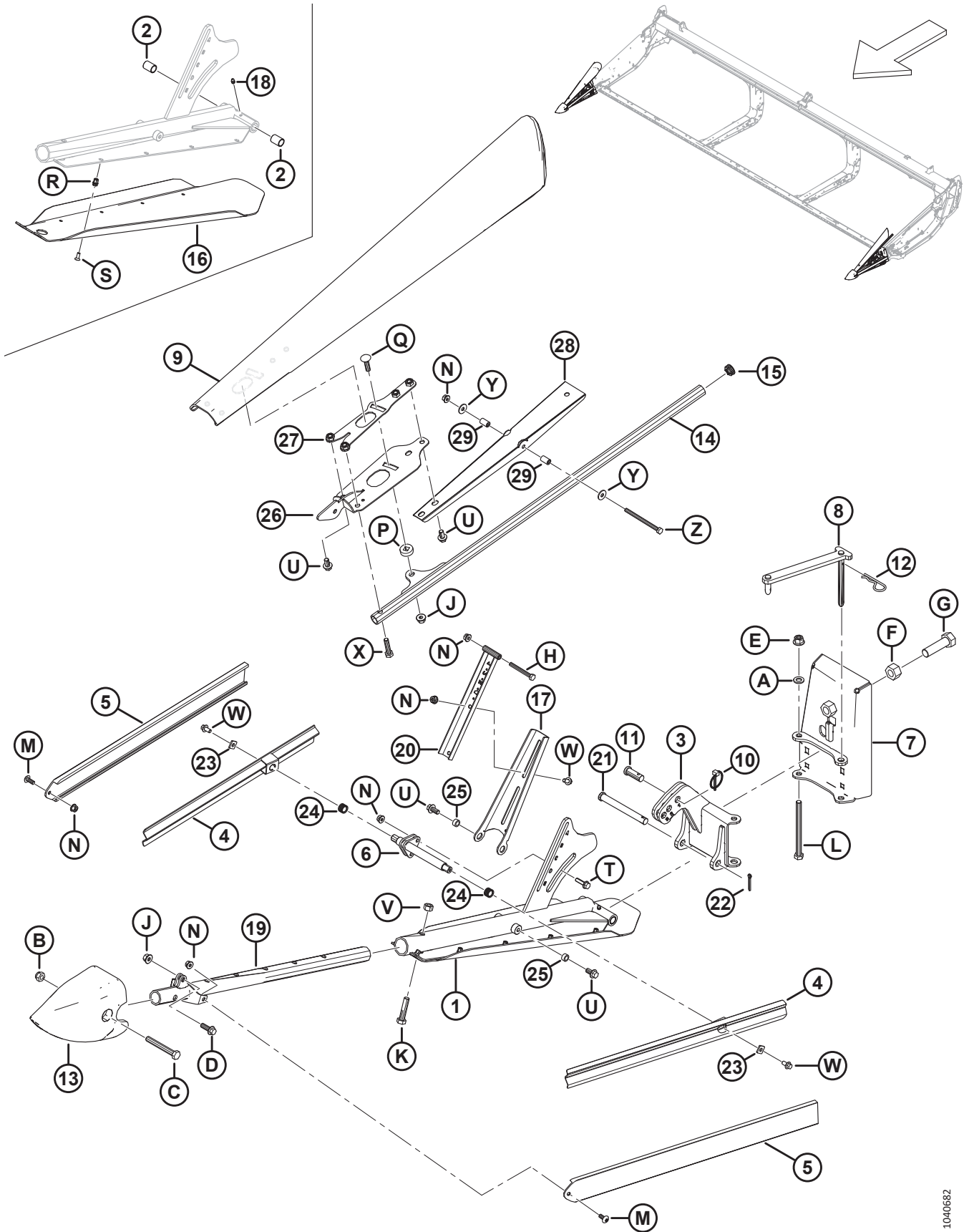
168. The assembly includes LH support weldment (NSS), LH shoe (MD #340212), grease fitting (MD #18671), two bushings (MD #258391), ten screws (MD #320220), and ten rivnuts (MD #320404).

169. The assembly includes RH support weldment (NSS), RH shoe (MD #340210), grease fitting (MD #18671), two bushings (MD #258391), ten screws (MD #320220), and ten rivnuts (MD #320404).

170. The LH Deflector kit is used to service superseded LH deflector (MD #360095). The kit includes deflector channel (MD #360850), left retainer (MD #360734), left deflector (MD #360723), left support (MD #360720), two pivot tubes (MD #360847), hardware, and instructions.

171. The RH Deflector kit is used to service superseded RH deflector (MD #360081). The kit includes deflector channel (MD #360850), right retainer (MD #360863), right deflector (MD #360848), right support (MD #360862), two pivot tubes (MD #360847), hardware, and instructions.

(OPTION) FLOATING CROP DIVIDERS

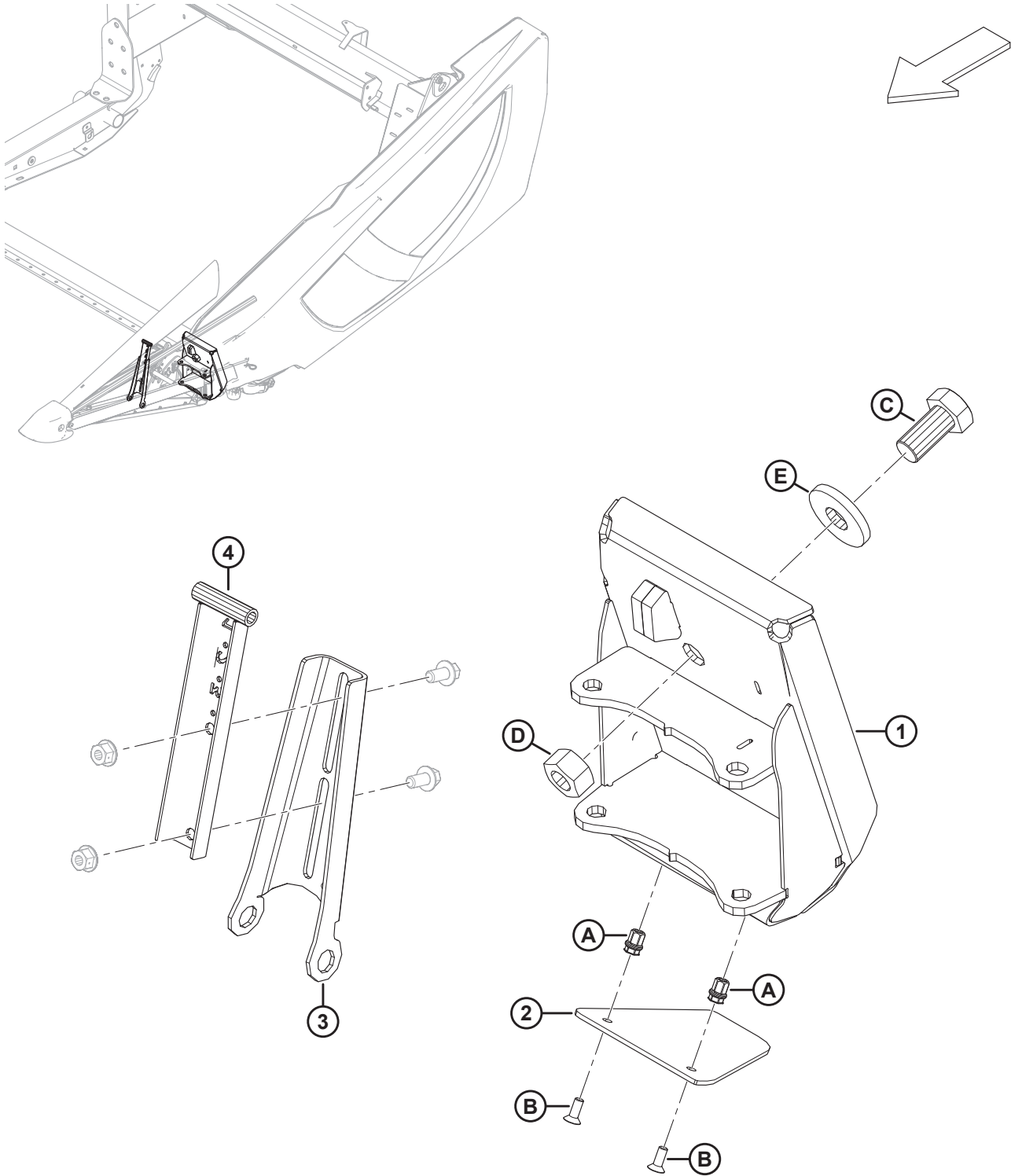


1040682

(OPTION) FLOATING CROP DIVIDERS

Ref	Part Number	Description	Qty	Serial Number
22	18648	PIN – COTTER 3/16 DIA X 1.25 ZP	2	
23	233841	SUPPORT – DEFLECTOR	4	
24	26429	SPRING – COMPRESSION	4	
25	19542	SPACER	4	
26	360720	SUPPORT – LH WELDMENT	1	
	360862	SUPPORT – RH WELDMENT	1	
27	360734	RETAINER – LH WELDMENT	1	
	360863	RETAINER – RH WELDMENT	1	
28	360850	CHANNEL – TOP DEFLECTOR	2	
29	360847	TUBE – PIVOT	4	
A	184714	WASHER – FLAT REG M12-300HV		
B	184695	NUT – HEX NYLOC M12 X 1.75-8-AA1J		
C	184673	BOLT – HEX HD M12 X 1.75 X 90-10.9-AA1J		
D	184665	BOLT – HEX FLG HD M10 X 1.5 X 30-10.9-AA1J		
E	136431	NUT – HEX FLG CTR LOC M12 X 1.75-10		
F	136342	NUT – HEX FINE M20 X 1.5 X 10-AA3L		
G	136339	BOLT – HEX HD FINE TFL M20 X 1.5 X 70 X 8.8-ZINC		
H	184656	BOLT – HEX HD M8 X 1.25 X 70-8.8-AA1J		
J	135799	NUT – HEX FLG CTR LOC M10 X 1.5-10		
K	152779	BOLT – HEX HD M12 X 1.75 X 55-8.8-AA1J		
L	135696	BOLT – HEX HD M12 X 1.75 X 150-8.8-AA1J		
M	320190	SCREW – TORX TRUSS HD M8 X 1.25 X 20-SPCL-8.8-ZINC		
N	135337	NUT – HEX FLG CTR LK M8 X 1.25-8-AA1J		
P	360105	WASHER – SPECIAL		
Q	152732	BOLT – RHSN M10 X 1.5 X 40-8.8-AA1J		
R	320404	RIVNUT – M6 X 1.0 HEX 1.0-3.5		
S	320220	SCREW – TORX CSK HD TFL M6 X 1 X 16-SPCL-8.8-ZINC		
T	252655	BOLT – HEX FLG HD TFL M8 X 1.25 X 30-8.8-AA1J		
U	152655	BOLT – HEX FLG HD M10 X 1.5 X 20-8.8-AA1J		
V	136759	NUT – HEX CTR LOC M12 X 1.75-8-AA1J		
W	136485	BOLT – HEX FLG HD TFL M8 X 1.25 X 16-8.8-AA1J		
X	135319	BOLT – HEX HD M10 X 1.5 X 40-8.8-AA1J		
Y	184709	WASHER – FLAT LARGE M8-200HV		
Z	135523	BOLT – HEX HD M8 X 1.25 X 110-8.8-AA1J		

# 47 (Option) Floating Crop Dividers Adapter Kit



(OPTION) FLOATING CROP DIVIDERS ADAPTER KIT

**NOTE:**

The Floating Crop Dividers Adaptor kit (B7384) replaces six parts from the 2-Series Floating Crop Dividers kit (B7346), allowing the floating crop dividers to be installed on 1-Series Headers.

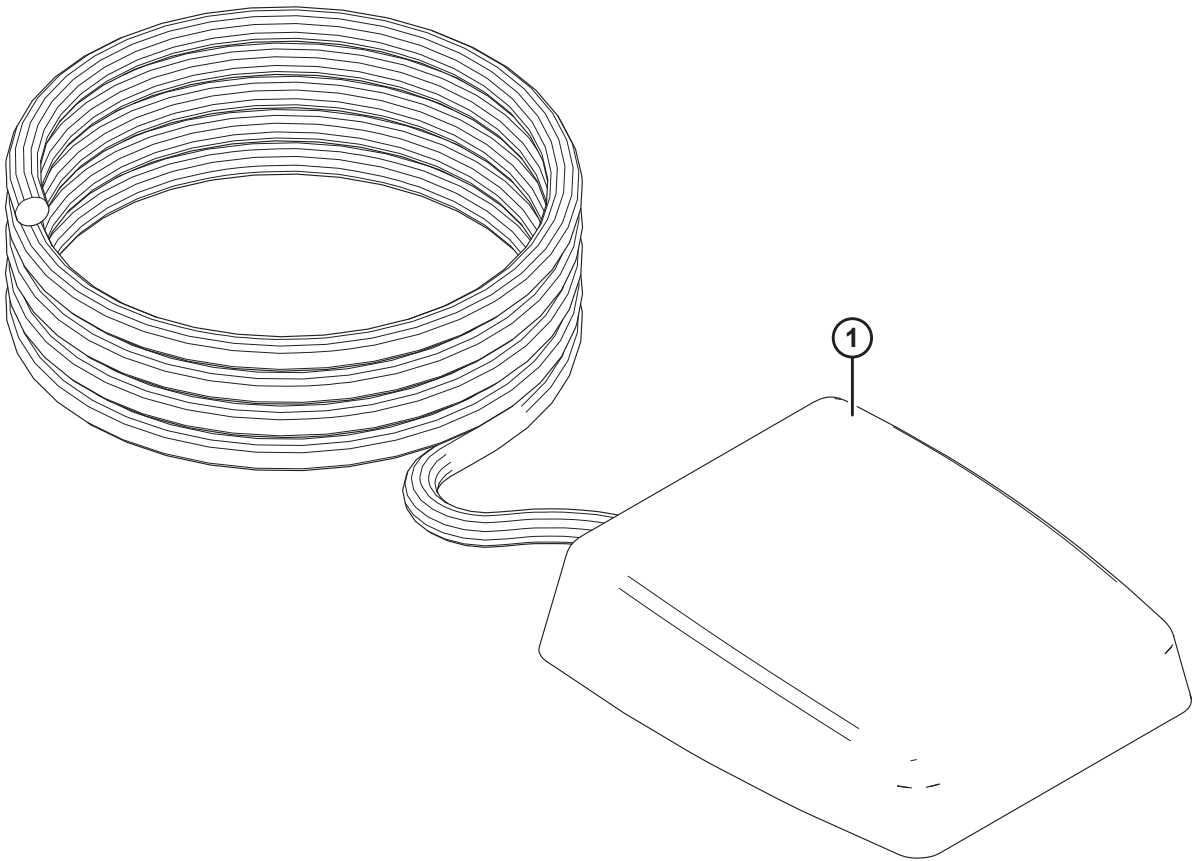
Ref	Part Number	Description	Qty	Serial Number
	<b>B7384</b>	<b>KIT – FD1 ADAPTOR FOR FD2 FCD</b> <sup>172</sup>	<b>1</b>	
1	<b>360265</b>	<b>ASSY – LH BACKPLATE FCD FOR FD1</b> <sup>173</sup>	<b>1</b>	
	<b>360336</b>	<b>ASSY – RH BACKPLATE FCD FOR FD1</b> <sup>174</sup>	<b>1</b>	
2	<b>360266</b>	<b>SHOE – LH UHMW</b>	<b>1</b>	
	<b>360342</b>	<b>SHOE – RH UHMW</b>	<b>1</b>	
3	<b>360269</b>	<b>SUPPORT – LH TOP DEFLECTOR</b>	<b>1</b>	
	<b>360333</b>	<b>SUPPORT – RH TOP DEFLECTOR</b>	<b>1</b>	
4	<b>360267</b>	<b>WELDT – DEFLECTOR SUPPORT</b>	<b>2</b>	
A	<b>320404</b>	<b>RIVNUT – SM FL M6 X 1.0 HEX 1.0-3.5</b>		
B	<b>320220</b>	<b>SCREW – TORX CSK HD TFL M6 X 1 X 16-SPCL-8.8-ZINC</b>		
C	<b>135579</b>	<b>BOLT – HEX HD 3/4-16 X 1.5-GR5-AA1J</b>		
D	<b>18720</b>	<b>NUT – HEX 3/4-16 UNF GR5 ZN PL</b>		
E	<b>6647</b>	<b>WASHER – FLAT</b>		

172. Kit includes all listed parts and instructions. Kits available through Whole Goods only.

173. Assembly includes LH shoe (MD #360266), rivnuts (MD #320404), and screws (MD #360220).

174. Assembly includes RH shoe (MD #360342), rivnuts (MD #320404), and screws (MD #360220).

# 48 (Option) Foot Switch





(OPTION) FOOT SWITCH

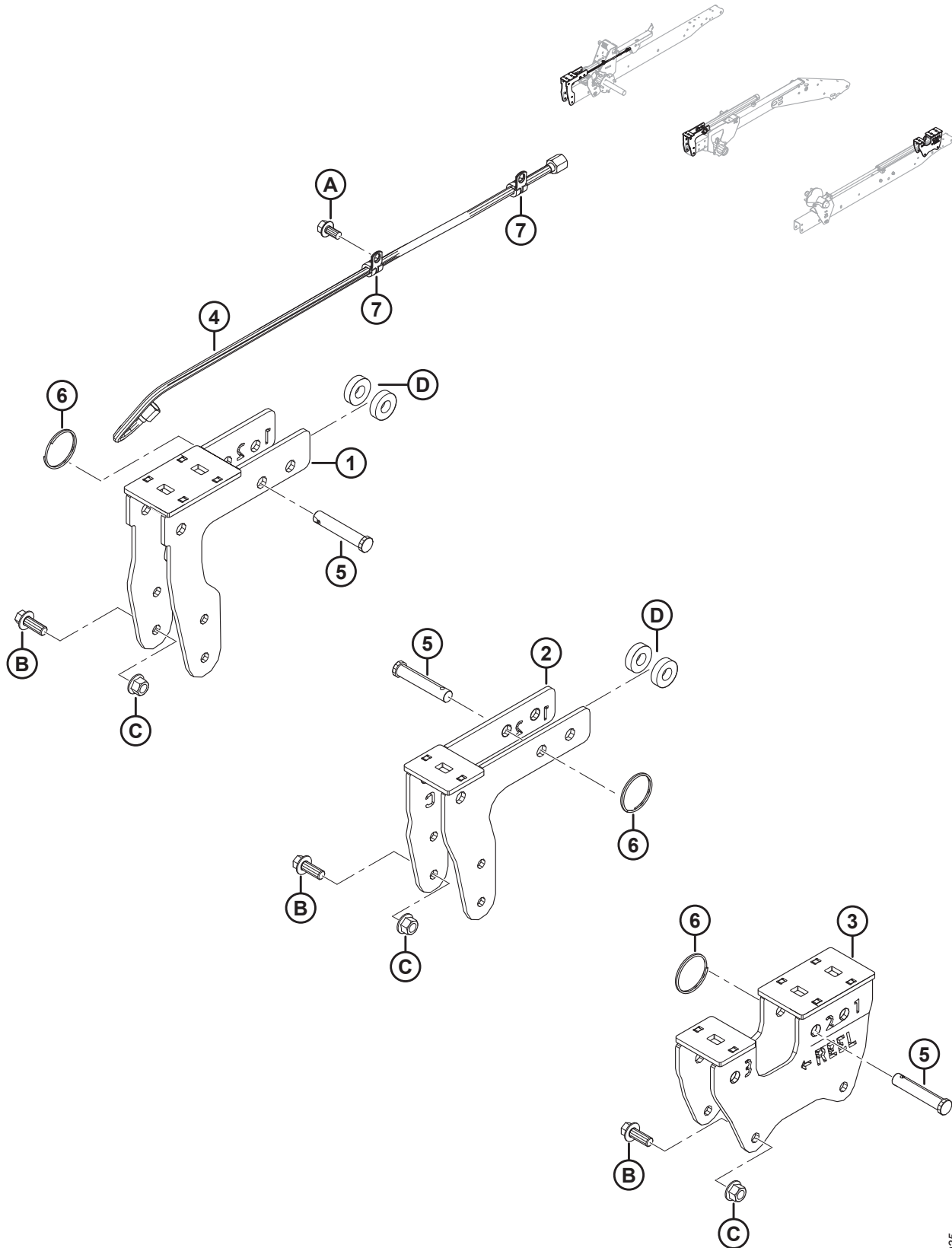
Ref	Part Number	Description	Qty	Serial Number
	B6212	KIT – HEADER TILT FOOT SWITCH <sup>175</sup>		
1	287537	KIT – FOOT SWITCH <sup>176</sup>	1	

---

175. Kits available through Whole Goods only.

176. Kit provides an additional way to control the selection between reel fore-aft and tilt on an AGCO (Challenger®, Gleaner®, or Massey Ferguson®) or John Deere combine operating a MacDon FM100 Float Module and Draper or FlexDraper® header. The foot switch can be used to toggle the tilt functionality ON instead of using the existing selector switch. Kit includes foot switch and instructions.

# 49 (Option) Multi-Crop Rapid Reel Conversion Kit

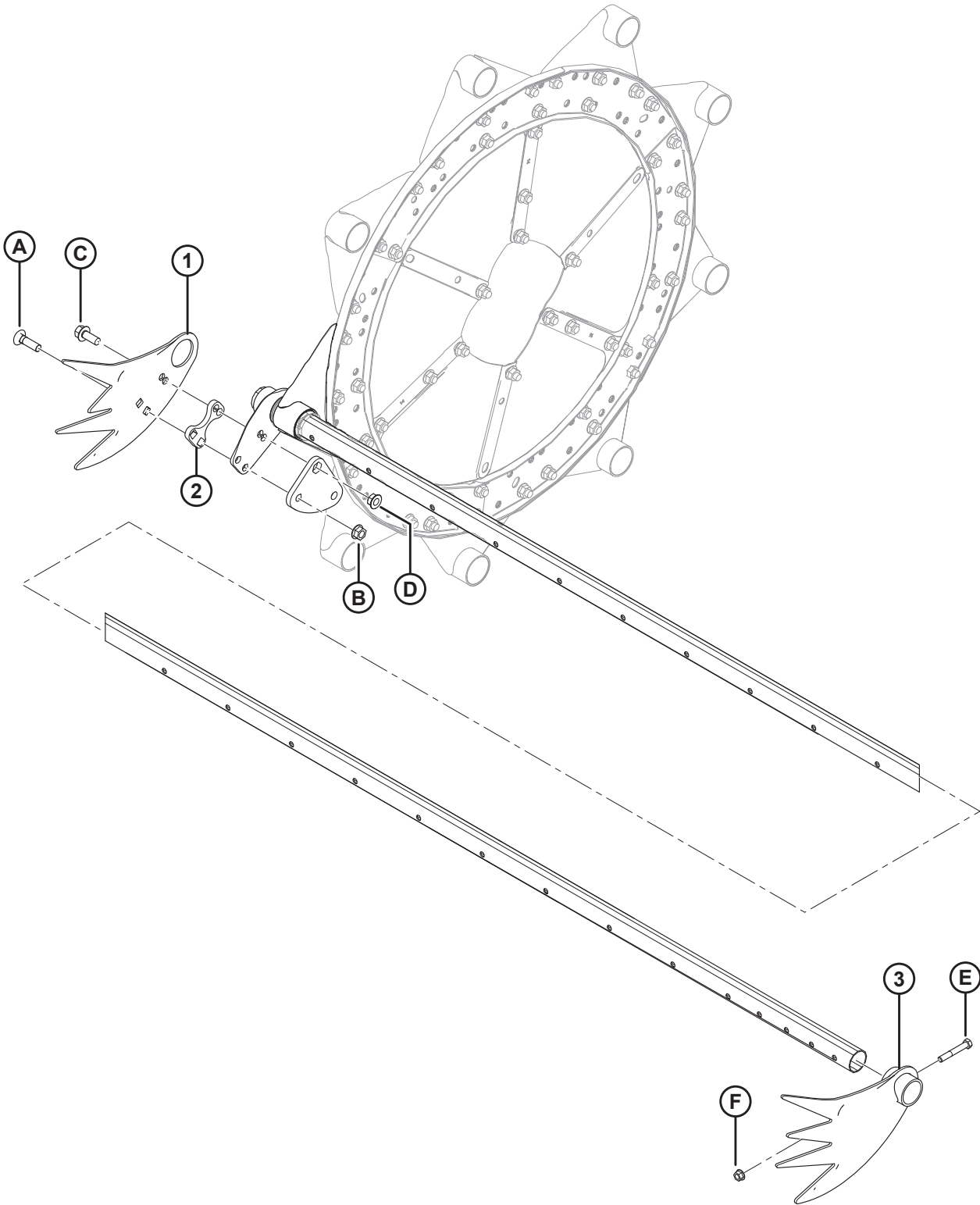


(OPTION) MULTI-CROP RAPID REEL CONVERSION KIT

Ref	Part Number	Description	Qty	Serial Number
	B6590	KIT – MULTI-CROP RAPID REEL CONVERSION <sup>177</sup>		
1	294598	BRACKET – RHS CAM BRACKET	1	
2	294601	BRACKET – CENTER CAM BRACKET	1	
3	294599	BRACKET – LHS CAM BRACKET	1	
4	245362	HOSE – HYD, 0.25 IN. I.D., 950 MM LG, 100R17, METAL REIN.	1	
5	18624	PIN – CLEVIS, 15.71 MM, 70 MM, ZN PL	3	
6	118137	RING – EXTERNAL, 2 INCH, .087	3	
7	135233	CLAMP – DOUBLE HOSE INSULATED	2	
A	101898	SCREW – HEX WASH HD THD ROLLING 3/8 NC X 5/8		
B	148798	BOLT – HEX FLG HD M12 X 1.75 X 30-10.9-A3L		
C	136431	NUT – HEX FLG CTR LOC M12 X 1.75-10-A3L		
D	40915	WASHER – FLAT		

177. Kit required to reduce the time needed to change the reel position from current location to the rapeseed/canola position. Intended for our Western European and North American markets, where straight-cut canola applications are required. Includes all listed parts and instructions. Kits available through Whole Goods only.

# 50 (Option) Pick-up Reel-End Fingers Kit



**(OPTION) PICK-UP REEL-END FINGERS KIT**

**NOTE:**

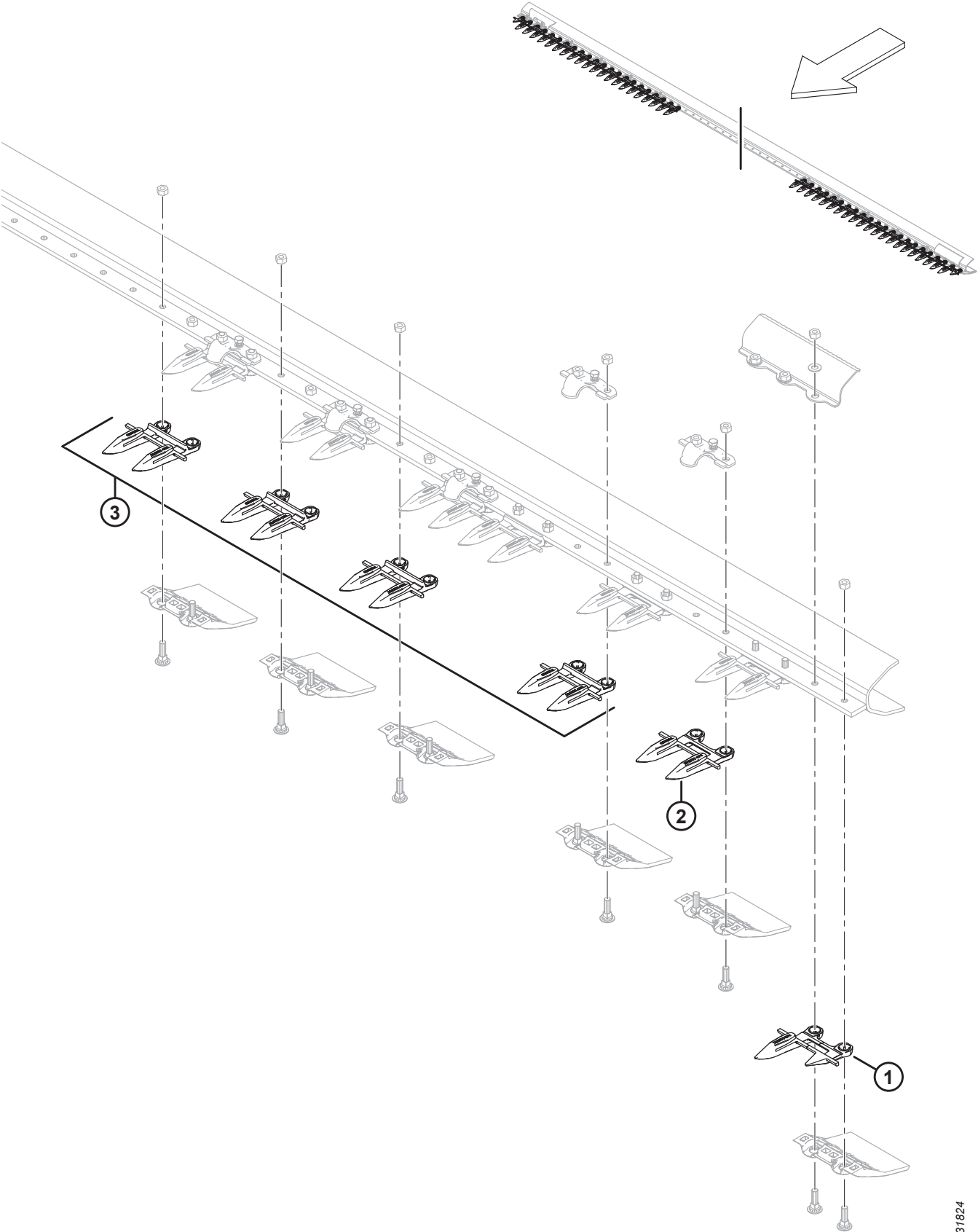
Kit is **NOT** compatible on the left end of FD125 Headers.

<b>Ref</b>	<b>Part Number</b>	<b>Description</b>	<b>Qty</b>	<b>Serial Number</b>
	B4831	KIT – PICK-UP REEL, END FINGERS <sup>178</sup>		
1	137794	FINGER – LODGED CROP, CAM END	3	
2	137795	SHIM – LODGED CROP FINGER	3	
3	137924	FINGER – LODGED CROP, TAIL END	3	
A	30515	BOLT – RHSN, 1/2 NC X 1-3/4, GR 5		
B	50186	NUT – LOCK, SMOOTH FLANGE, 1/2 NC DT		
C	30368	BOLT – FLANGE HEAD 1/2 NC X 1-1/4 GR 5		
D	21383	NUT – SERRATED FLANGE LOCK, 1/2 NC		
E	21102	BOLT – HEX HD 3/8 NC X 2-1/2 GR 5		
F	30228	NUT – LOCK, SMOOTH FLG, 3/8 NC, DT		

---

178. Kits available through Whole Goods only.

# 51 (Option) Pointed Guard Kit, Single Knife



(OPTION) POINTED GUARD KIT, SINGLE KNIFE

**NOTE:**

Illustration; Left end shown (right end is similar). Single knife, pointed guards only.

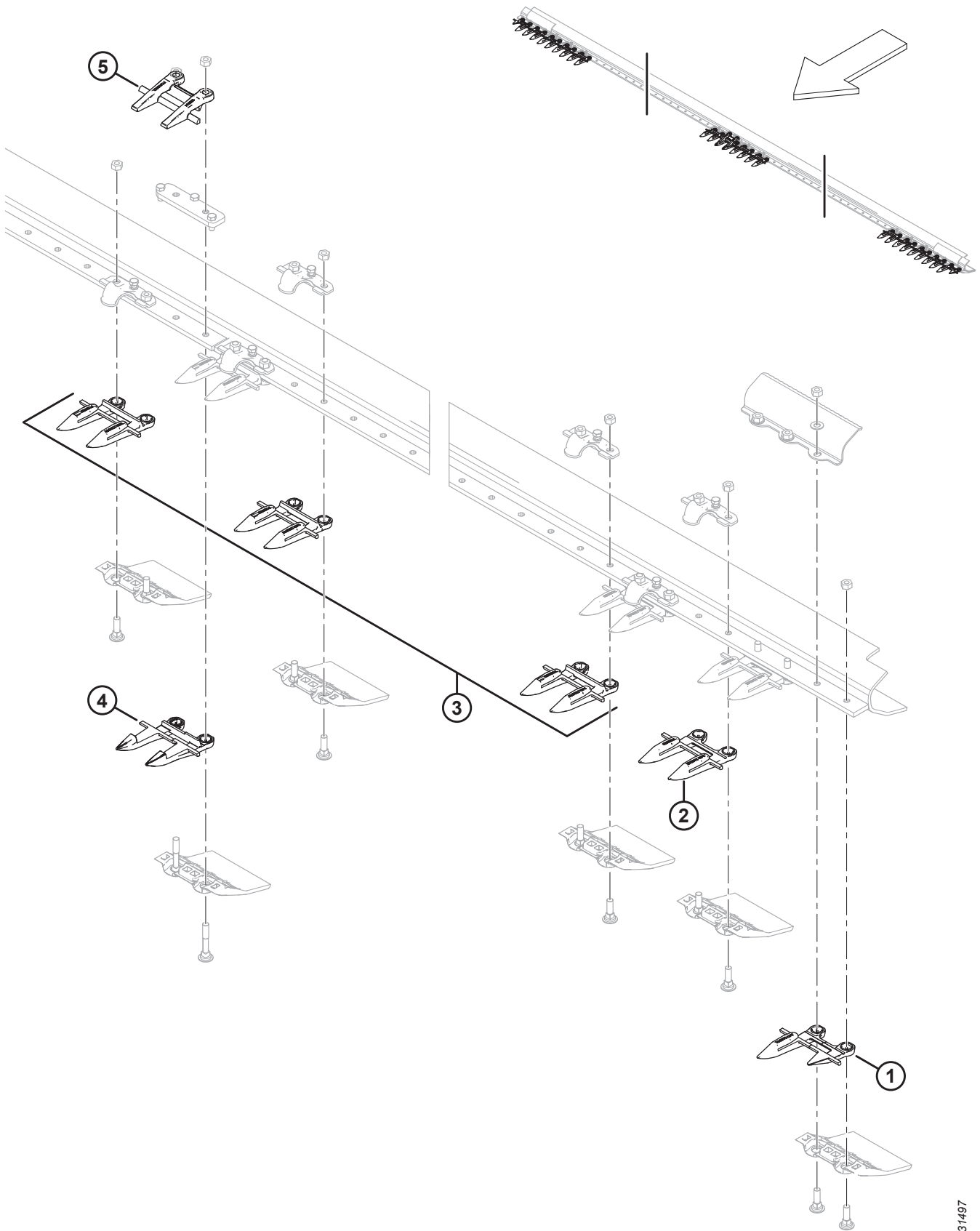
Ref	Part Number	Description	Qty	Serial Number
	304990	KIT – POINTED GUARDS 25 FT SK <sup>179</sup>		
	304991	KIT – POINTED GUARDS 30 FT SK <sup>179</sup>		
	304992	KIT – POINTED GUARDS 35 FT SK <sup>179</sup>		
	304993	KIT – POINTED GUARDS 40 FT SK <sup>179</sup>		
1	118301	SICKLE GUARD – LH, OUTBOARD (DRIVE END)	1	
	118302	SICKLE GUARD – RH, OUTBOARD	1	
2	118345	SICKLE GUARD – W/ POINTS, W/O WEARBAR (DRIVE END)	3	
3	118344	SICKLE GUARD – W/ POINTS <sup>180</sup>		

---

179. Includes all listed parts.

180. Quantities per kit: 25 ft. = 45, 30 ft. = 55, 35 ft. = 65, 40 ft. = 75.

# 52 (Option) Pointed Guard Kit, Double Knife





(OPTION) POINTED GUARD KIT, DOUBLE KNIFE

**NOTE:**

Illustration; Left end and middle shown (right end is similar). Double knife, pointed guards only.

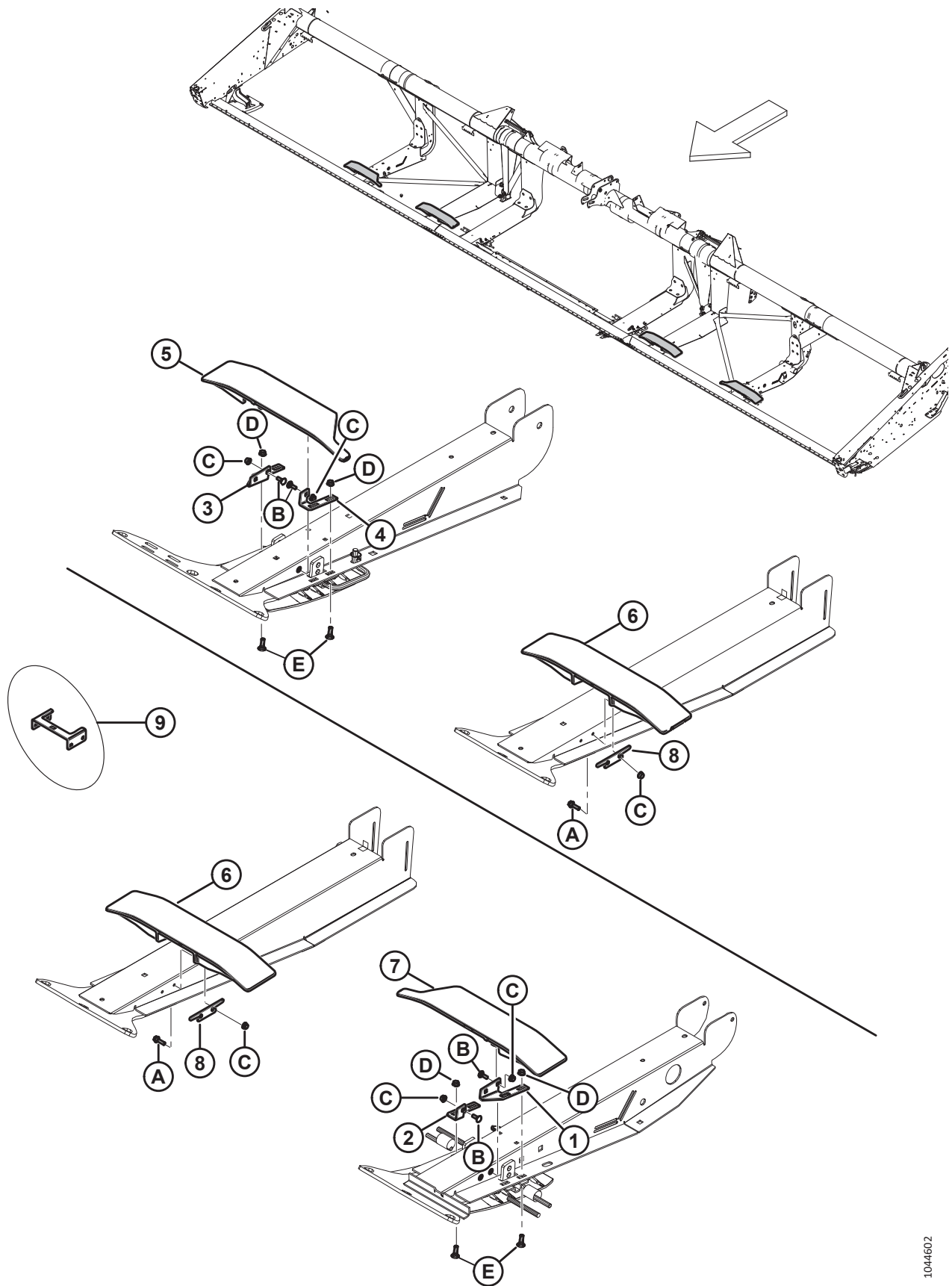
Ref	Part Number	Description	Qty	Serial Number
	304985	KIT – POINTED GUARDS 25 FT DK <sup>181</sup>		
	304986	KIT – POINTED GUARDS 30 FT DK <sup>181</sup>		
	304987	KIT – POINTED GUARDS 35 FT DK <sup>181</sup>		
	304988	KIT – POINTED GUARDS 40 FT DK <sup>181</sup>		
	304989	KIT – POINTED GUARDS 45 FT DK <sup>181</sup>		
1	118301	SICKLE GUARD – LH, OUTBOARD	1	
	118302	SICKLE GUARD – RH, OUTBOARD	1	
2	118345	SICKLE GUARD – W/ POINTS, W/O WEARBAR (3 PER END)	6	
3	118344	SICKLE GUARD – W/ POINTS <sup>182</sup>		
4	124338	SICKLE GUARD – CENTER, POINTED	1	
5	124344	GUIDE – TOP-CENTER	1	

---

181. Includes all listed parts.

182. Quantities per kit: 25 ft. = 41, 30 ft. = 51, 35 ft. = 61, 40 ft. = 71, 45 ft. = 81.

# 53 (Option) Polyethylene Draper Tracks



(OPTION) POLYETHYLENE DRAPER TRACKS

**NOTE:**

Illustration; TOP: right side of the header, BOTTOM: left side of the header.

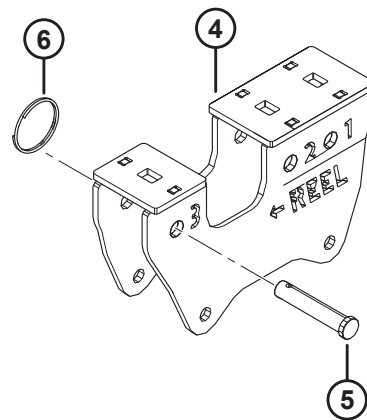
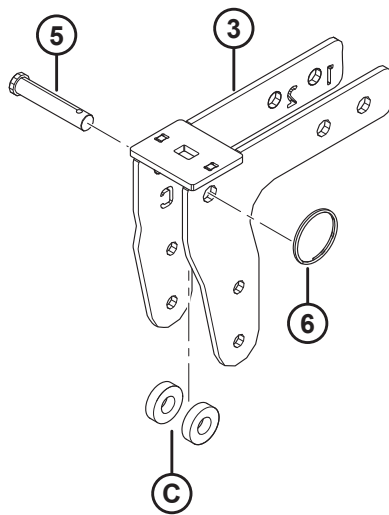
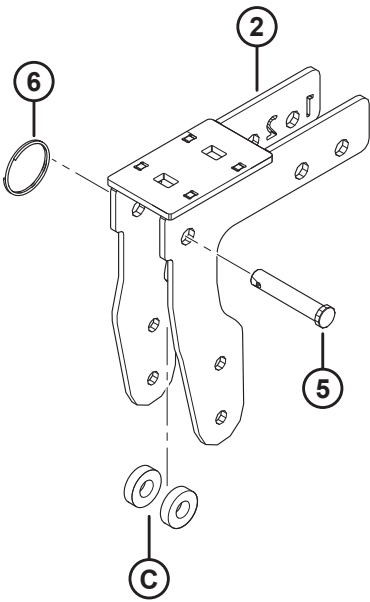
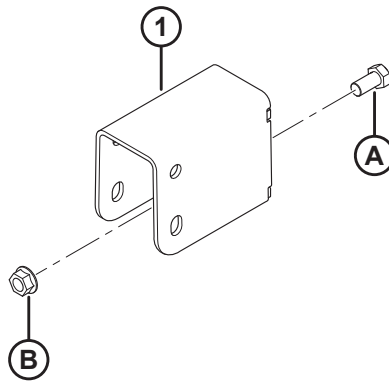
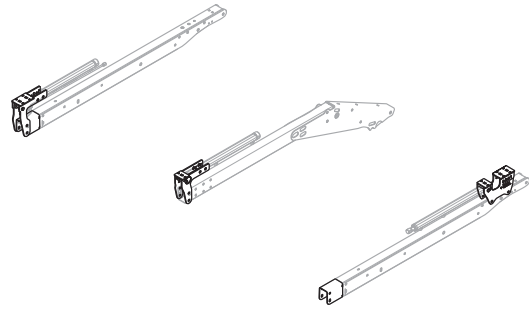
Ref	Part Number	Description	Qty	Serial Number
	335805	KIT – BRACKET FD1 DRAPER TRACK <sup>183</sup>		
1	335800	BRACKET – POLY TRACK MOUNT	1	
2	335801	BRACKET – POLY TRACK MOUNT	1	
3	335802	BRACKET – POLY TRACK MOUNT	1	
4	335803	BRACKET – POLY TRACK MOUNT	1	
5	335804	TRACK – SHORT PLASTIC <sup>184</sup>	1	
6	335832	TRACK – SHORT PLASTIC	2	
7	335773	TRACK – SHORT PLASTIC <sup>185</sup>	1	
8	340681	SHIM – DRAPER TRACK	4	
9	335844	TOOL – MATCH DRILL POLYTRACK	1	
A	252655	BOLT – HEX FLG HD TFL M8 X 1.25 X 30-8.8-AA1J		
B	184648	BOLT – RHSN M8 X 1.25 X 25-8.8-AA1J		
C	135337	NUT – HEX FLG CTR LK M8 X 1.25-8-AA1J		
D	30228	NUT – FLG DT SM FACE 3/8-16 UNC-GR5-AA1J		
E	19966	BOLT – RHSN 3/8-16X1.25-GR5-AA1J		

183. Kit includes all listed parts and instructions.

184. Track (MD #335804) is used on the RH outboardheader leg.

185. Track (MD #335773) is used on the LH outboard header leg.

# 54 (Option) Reel Arm Extension Kit



(OPTION) REEL ARM EXTENSION KIT

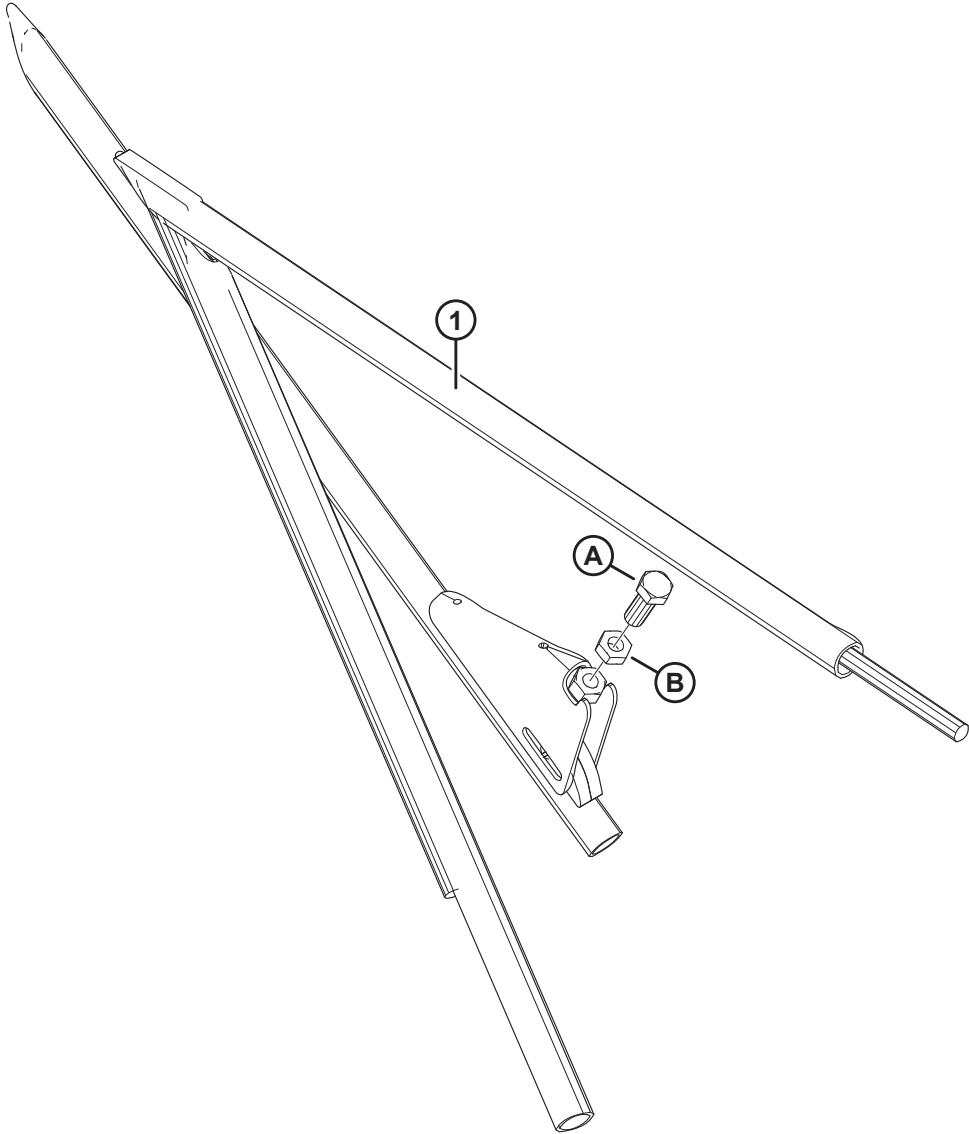
**NOTE:**

Reel Arm Extension Kit (B6591) is **NOT** compatible with Vertical Knife Mounts (B6137 and B6138).

Ref	Part Number	Description	Qty	Serial Number
	B6591	KIT – REEL ARM EXTENSION (EXPORT ONLY) <sup>186</sup>		
1	245926	SUPPORT WELDMENT	2	
2	294598	BRACKET – RHS CAM WELDT	1	
3	294601	BRACKET – CENTER CAM WELDT	1	
4	294599	BRACKET – LHS CAM WELDT	1	
5	18624	PIN – CLEVIS, 15.71 MM, 70 MM, ZN PL	3	
6	118137	RING – EXTERNAL, 2 INCH, .087	3	
A	21575	BOLT – HH 1/2 NC X 1.0 LG GR 5 ZP		
B	50186	NUT – FLG LOCK SMTH FACE DT 0.500-13 UNC GR 5		
C	40915	WASHER – FLAT		

186. Kit provides extended reel fore/aft range (from furthest forward to furthest rearward) on headers equipped with short reel arms. Kit includes all listed parts and instructions. Kits available through Whole Goods only.

# 55 (Option) Rice Divider Rods



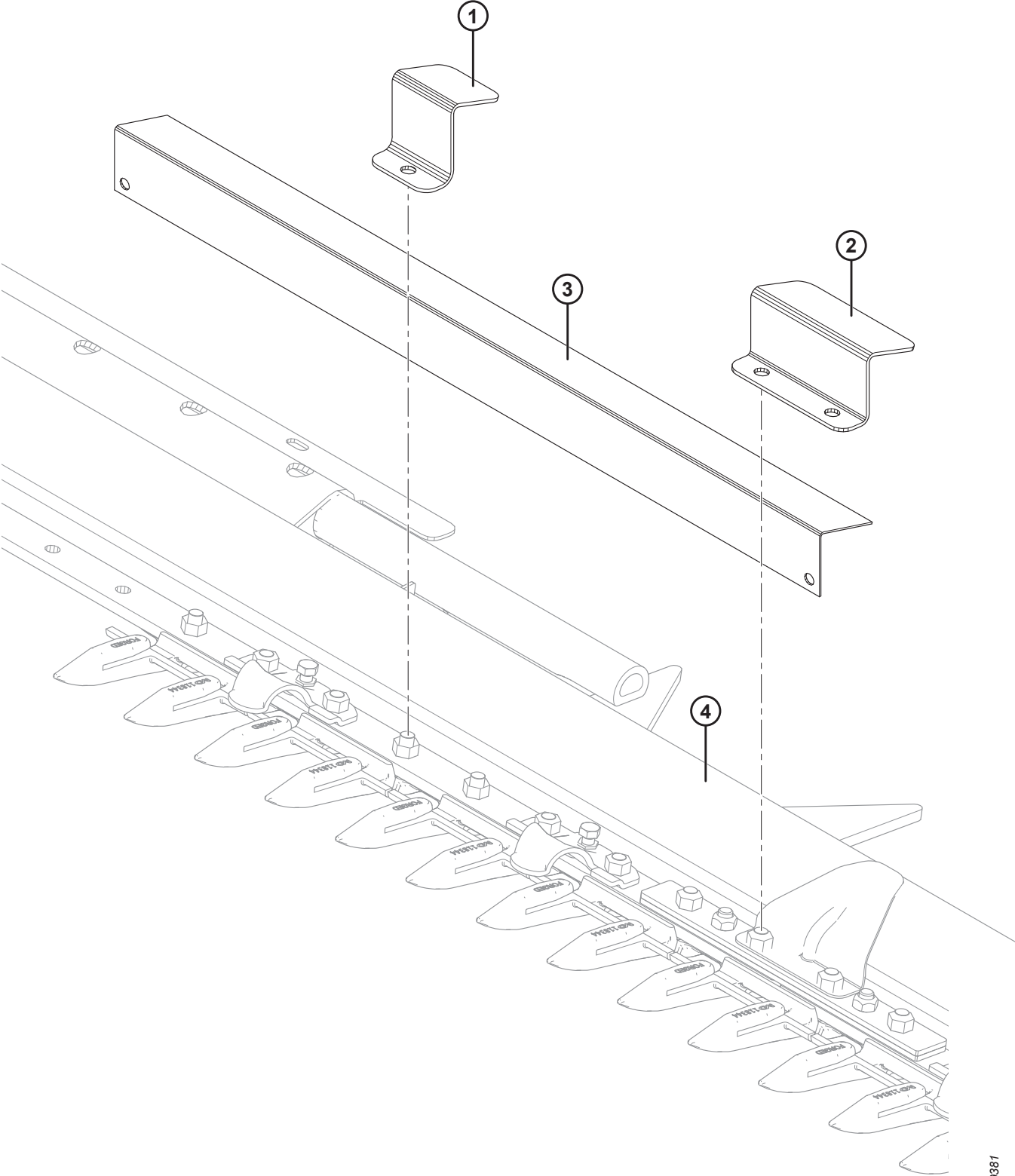
(OPTION) RICE DIVIDER RODS

Ref	Part Number	Description	Qty	Serial Number
	B5609	KIT – RICE DIVIDER RODS <sup>187</sup>		
1	123681	DIVIDER – RICE LH TUBE WELDT	1	
	123682	DIVIDER – RICE RH TUBE WELDT	1	
A	172875	SCREW – SET		
B	21056	NUT – HEX JAM 1/2-13 UNC GR 5 ZP		

---

187. Kits available through Whole Goods only.

# 56 (Option) Rock Retarder Kit



1009381



(OPTION) ROCK RETARDER KIT

Ref	Part Number	Description	Qty	Serial Number
	B5084	KIT – ROCK RETARDER (25–35 FT HEADER) <sup>188</sup>		
	B5085	KIT – ROCK RETARDER (40–45 FT HEADER) <sup>188</sup>		
1	129577	SUPPORT – ROCK RETARDER CLAMP <sup>189</sup>		
2	129578	SUPPORT – ROCK RETARDER CLAMP <sup>190</sup>	2	
3	129581	SUPPORT – ROCK RETARDER, 990 MM LONG	3	
	129582	SUPPORT – ROCK RETARDER, 913 MM LONG	4	
	129584	SUPPORT – ROCK RETARDER, 888 MM LONG	2	
	129589	SUPPORT – ROCK RETARDER, 1066 MM LONG	2	
4	REF	CUTTERBAR		

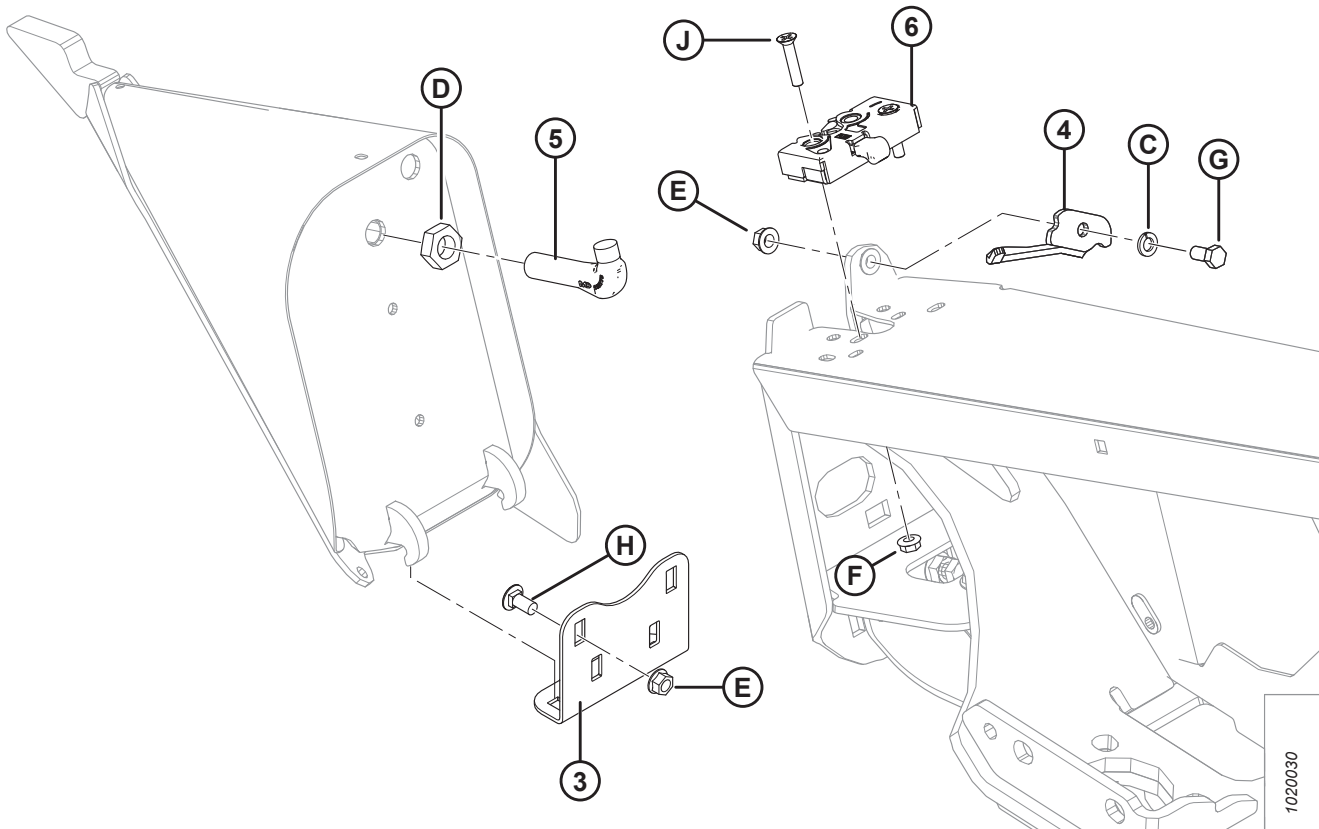
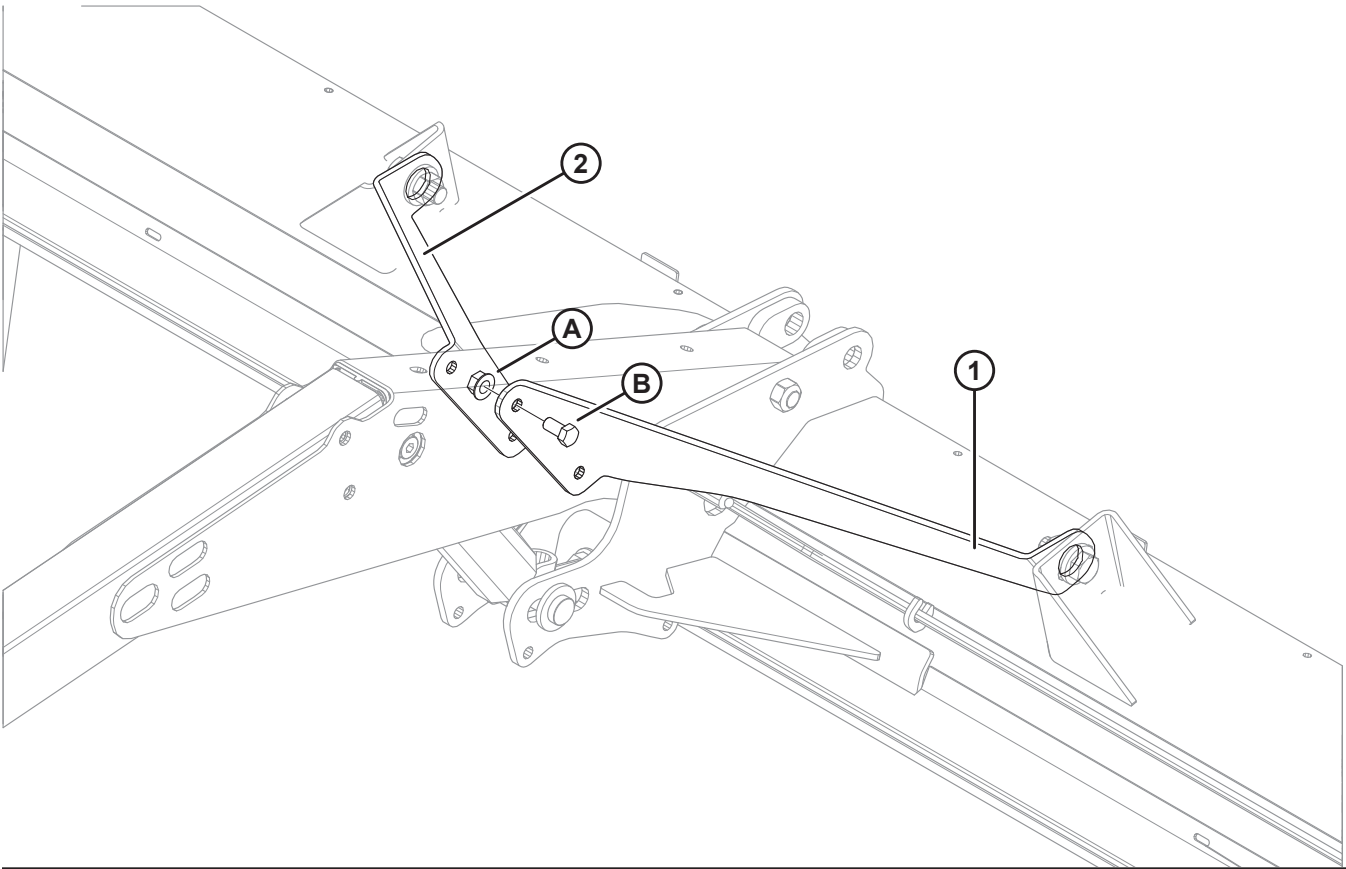
---

188. Kits available through Whole Goods only.

189. Quantities: 25–35 ft. = 32, 40–45 ft. = 40.

190. For use at flex joint.

# 57 (Option) Short Brace Kit for Center Reel Arm / Divider Latches



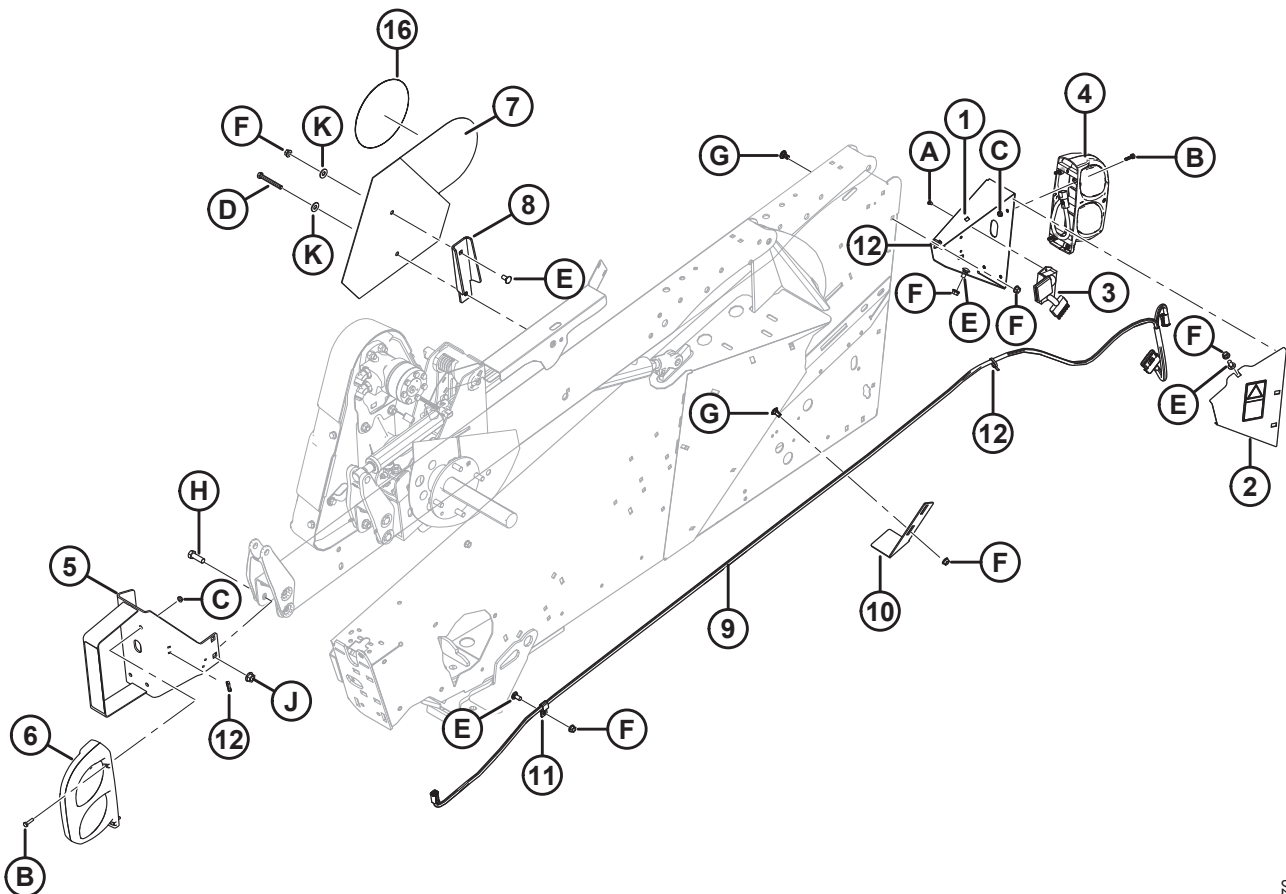
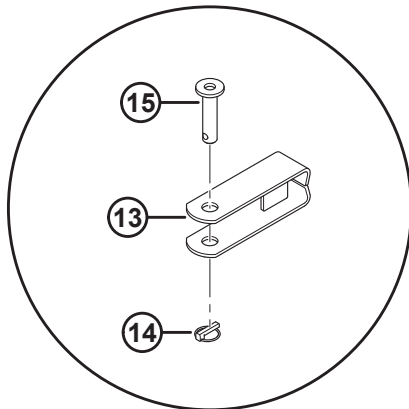
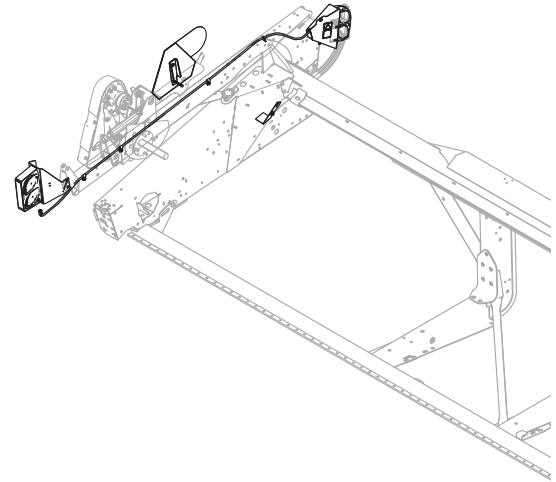
(OPTION) SHORT BRACE KIT FOR CENTER REEL ARM / DIVIDER LATCHES

Ref	Part Number	Description	Qty	Serial Number
	B5605	KIT – SHORT BRACE FOR CENTER REEL ARM <sup>191</sup>		
1	164825	BRACE – SHORT LH	1	
2	164800	BRACE – SHORT RH	1	
A	50186	NUT – FLANGE LOCK SM FACE DT 0.500-13 UNC GR 5		
B	21575	BOLT – HH 1/2 NC X 1.0 LG GR 5 ZP		
	B6158	KIT – DIVIDER LATCHES <sup>191</sup>		
3	255791	ANGLE – DIVIDER, STORAGE <sup>192</sup>	2	
4	132248	LATCH – LH, DIVIDER SAFETY	1	
	132253	LATCH – RH, DIVIDER SAFETY	1	
5	132773	HOOK – DIVIDER LATCH	2	
6	120932	LATCH – LH	1	
	120933	LATCH – RH	1	
C	18637	WASHER – REG. LOCK 3/8 IN. NOM. I.D. ZP		
D	7674	NUT – HEX JAM 3/4-16 UNF GR 5 ZP		
E	30228	NUT – FLANGE DT SMOOTH FACE 0.375-16 UNC		
F	30280	NUT – FLG SIDE LK SMTH FACE 5/16 NC GR 5 ZP		
G	21567	BOLT – HEX HD .375-16 UNC X 0.75 LG		
H	21863	BOLT – RHSSN 3/8 NC X 0.75 LG GR 5 ZP		
J	30504	SCREW – FLAT CSK MACH 5/16 NC X 1-1/2 LG GR 5 ZP		

191. Kits available through Whole Goods only.

192. Used to store divider on header endsheet when divider is not in use. For mounting position on header endsheet, refer to Section *1 Header Frame, Dividers, and Shields, page 1*.

# 58 (Option) Slow Speed Transport Package – Hitch Electrical



**(OPTION) SLOW SPEED TRANSPORT PACKAGE – HITCH ELECTRICAL**

Ref	Part Number	Description	Qty	Serial Number
	B6606	KIT – TRANSPORT LIGHTS AND HARNESS (NORTH AMERICA AND AUSTRALIA) <sup>193</sup>		
	B6607	KIT – TRANSPORT LIGHTS AND HARNESS (EUROPE) <sup>193</sup>		
1	244727	SUPPORT – LH TRANSPORT LIGHT	1	
2	274414	COVER – WITH SAFETY DECAL <sup>194</sup>	1	
3	171068	RELAY – TRANSPORT LIGHTING MODULE <sup>195</sup>	1	
4	138087	LAMP – STOP/TURN/TAIL <sup>196</sup>	1	
5	294392	SUPPORT – SST RH REAR LIGHT	1	
	115146	REFLECTOR – AMBER	A/R	
	115147	REFLECTOR – RED	A/R	
6	138086	LAMP – STOP/TURN/TAIL <sup>196</sup>	1	
	139630	LENS – AMBER	1	
	139631	LENS – RED	1	
	139632	LENS – BLACK (OPAQUE)	1	
	139633	LENS – CLEAR (RUSSIAN)	1	
7	258262	ASSY – BRACKET W/ SMV <sup>197</sup>	1	
	115148	DECAL – SMV <sup>195</sup>	1	
	258253	BRACKET – SPEED ID SYMBOL (EUROPE) <sup>198</sup>	A/R	
8	174926	BRACKET – SMV MOUNTING	1	
9	254175	HARNESS	1	
10	253500	SUPPORT – DIVIDER ROD LOWER	1	
11	135233	CLAMP – DOUBLE HOSE INSULATED	2	
12	21763	FASTENER – CABLE TIE (BLACK)	3	
13	113536	CLEVIS WELDT <sup>195</sup>	1	
14	113561	PIN – LYNCH <sup>195</sup>	1	
15	118239	PIN – HITCH <sup>195</sup>	1	
16	193241	DECAL – SIS, 30 KM/H	1	
	193243	DECAL – SIS, 30 KM/H (SMALL)	1	
	193242	DECAL – SIS, 20 MILE/H	1	
	193240	DECAL – SIS, 20 MILE/H (SMALL)	1	
A	136868	RIVET – BLIND		
B	21573	BOLT – HEX HD 1/4 NC X 1.0 LG GR 5 ZP		
C	21455	NUT – FLG (SER FACE) 1/4 NC GR 5 ZP		
D	21568	BOLT – HH 3/8 NC X 3.0 LG GR 5 ZP (SINGLE REEL)		
	21102	BOLT – HH 3/8 NC X 2.5 LG GR 5 ZP (DOUBLE REEL)		

193. Kits available through Whole Goods only.

194. Includes decal (MD #184422).

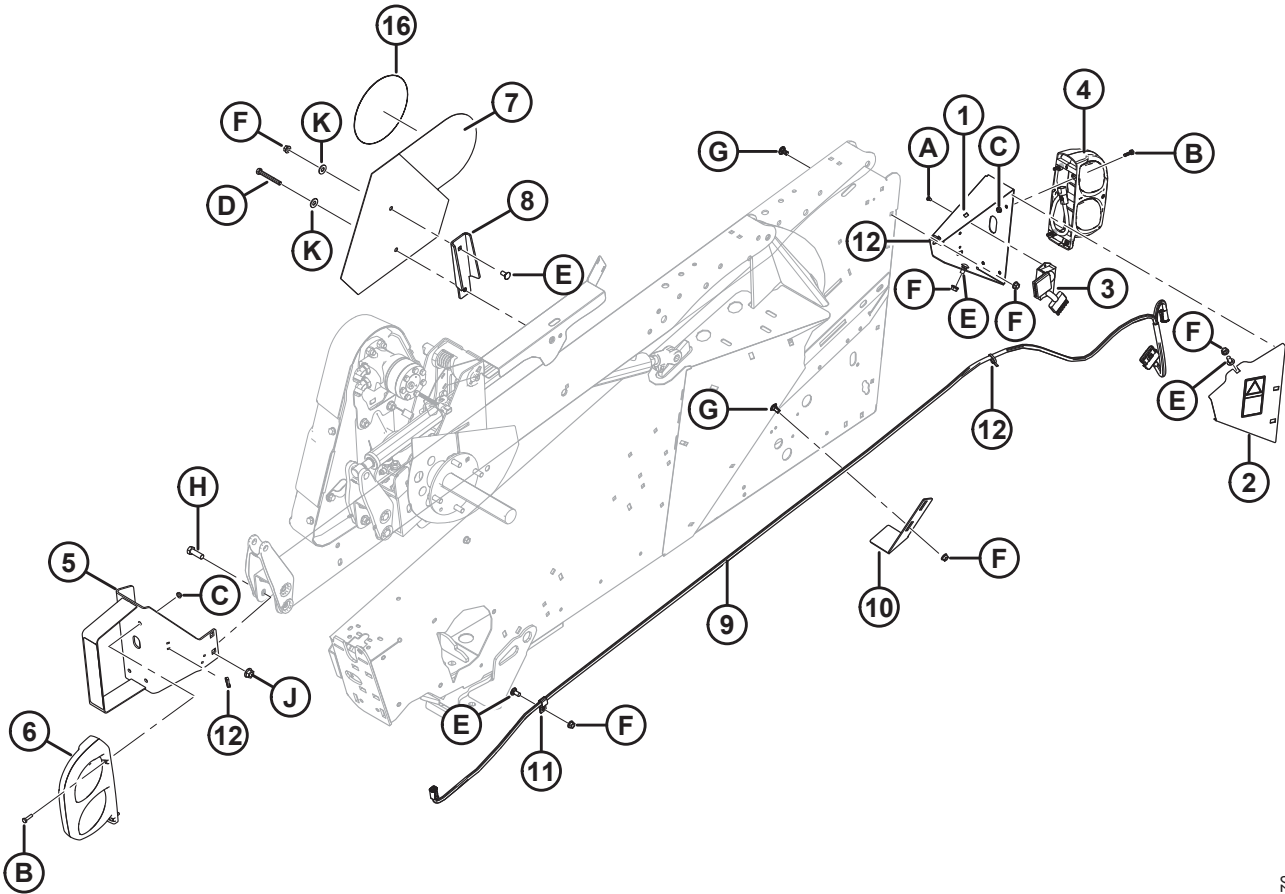
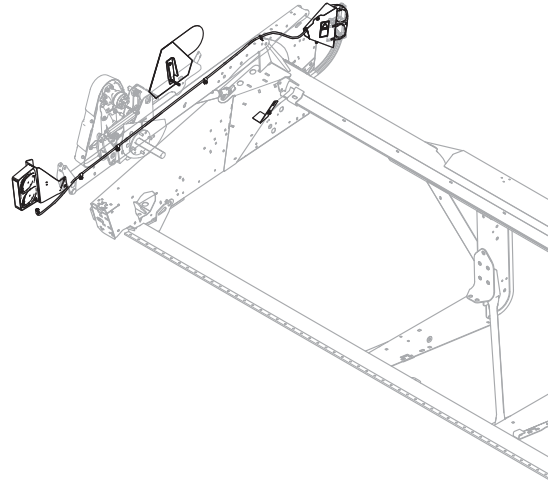
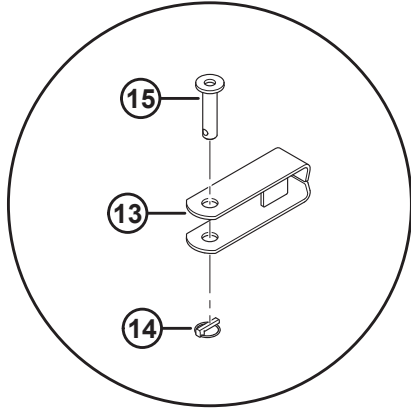
195. For B6606 only.

196. Turn, tail, and brake bulbs not sold by MacDon, but can be replaced with red (tail/brake) bulb - 1077, and amber (turn) bulb - 7506.

197. Includes SMV decal (MD #115148). For B6606 only.

198. For B6607 only.

(OPTION) SLOW SPEED TRANSPORT PACKAGE – HITCH ELECTRICAL



1031670

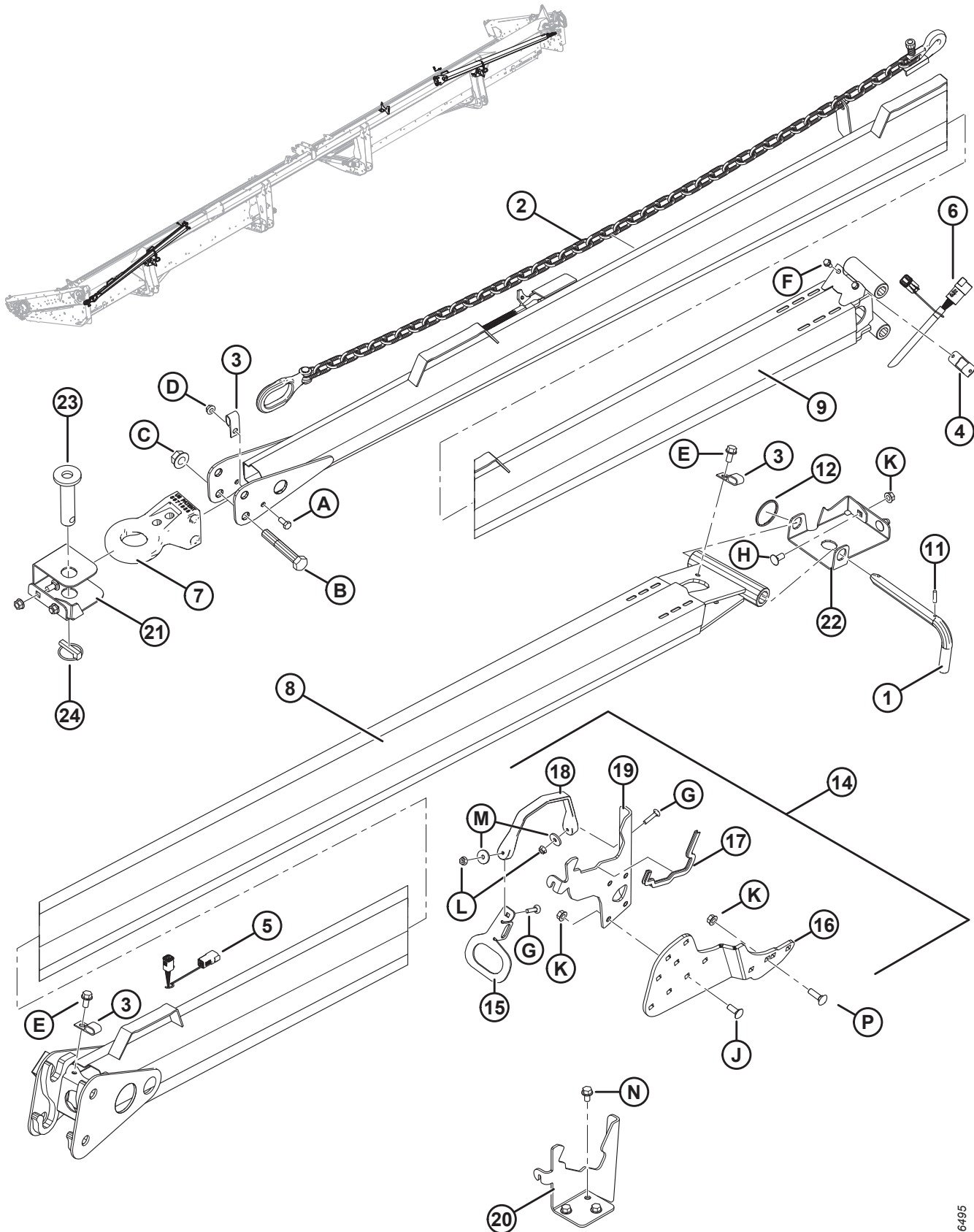
(OPTION) SLOW SPEED TRANSPORT PACKAGE – HITCH ELECTRICAL

Ref	Part Number	Description	Qty	Serial Number
E	21863	BOLT – RHSSN 3/8 NC X 0.75 LG GR 5 ZP		
F	30228	NUT – FLANGE DT SMOOTH FACE 0.375-16 UNC		
G	21472	BOLT – RHSN 3/8 NC X 0.75 GR 5 ZP		
H	18723	BOLT – HH 1/2 NC X 1.5 LG TFL GR 5 ZP		
J	50186	NUT – FLG LOCK SM FACE DT 0.500-13 UNC GR 5		
K	18670	WASHER – FLAT SAE 7/16 I.D. X 1.0 IN. O.D. AA1J <sup>199</sup>		

---

199. For B6606 only.

# 59 (Option) Slow Speed Transport Package – Transport Hitch



1026-95



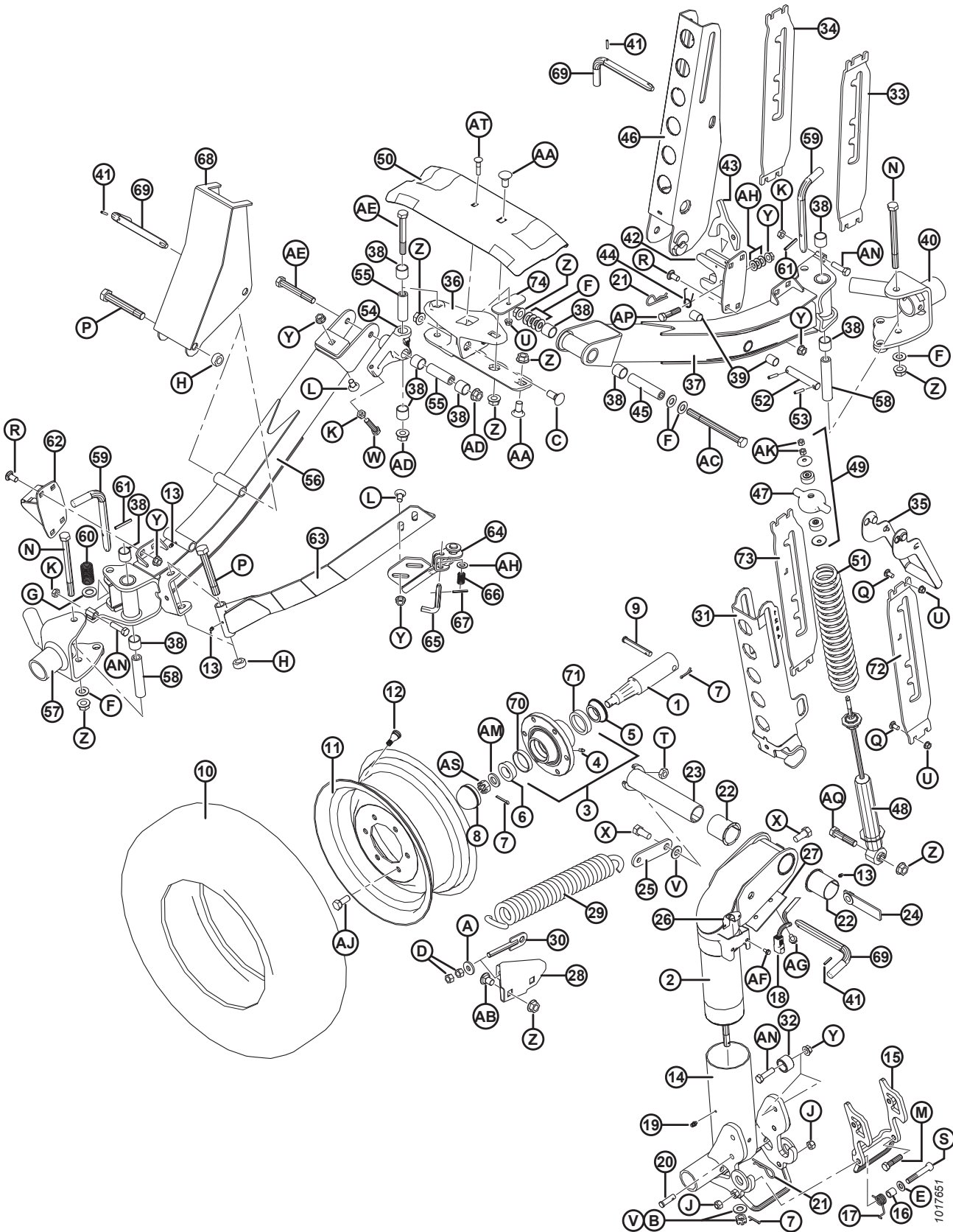
(OPTION) SLOW SPEED TRANSPORT PACKAGE – TRANSPORT HITCH

Ref	Part Number	Description	Qty	Serial Number
	B6145	KIT – TRANSPORT (TOW POLE) <sup>200</sup>		
1	144415	ASSY – L-PIN	1	
2	21404	CHAIN – SAFETY 59 LG	1	
3	39272	CLIP – INSULATED	2	
4	193057	CLIP – WIRING HARNESS DEUTSCH CONNECTOR	1	
5	193059	HARNESS – TRANSPORT HITCH (HEADER END)	1	
6	193058	HARNESS – TRANSPORT HITCH (TOW END)	1	
7	113566	HITCH BASE	1	
8	193202	HITCH – WELDT (HEADER END)	1	
9	193212	HITCH – C/W DECALS (TOW END) <sup>201</sup>	1	
11	16010	PIN – SPRING 3/16 DIA X 1.0 LG	1	
12	118137	RING	1	
14	294815	KIT – HITCH STORAGE ON HEADER	1	
15	193183	PLATE – LATCH HANDLE	2	
16	294807	ANGLE – SUPPORT	2	
17	135704	SEAL – EDGE TRIM	2	
18	193187	STRAP – RUBBER	2	
19	244760	SUPPORT – HITCH CRADLE	2	
20	220326	SUPPORT – HITCH CRADLE	1	
21	193188	SUPPORT – HITCH LH ENDSHEET	1	
22	279065	SUPPORT – HITCH RH ENDSHEET	1	
23	118239	PIN – HITCH	1	
24	113561	PIN – LYNCH	1	
A	21558	BOLT – HEX HD 5/16 NC X 0.75 LG GR 5 ZP		
B	19634	BOLT – HH 5/8 NC X 4.0 LG GR 5 ZP		
C	50225	NUT – FLANGE DT SMOOTH FACE .625-11 UNC		
D	30280	NUT – FLG SIDE LK SMTH FACE 5/16 NC GR 5 ZP		
E	101897	SCREW – HEX WASH HD THD ROLLING 3/8 NC X 3/4		
F	21055	SCREW – SELF TAP HEX WASH HD 1/4 NC X 1/2		
G	135623	BOLT – RHSN 1/4 NC X 1.25 LG GR 5 ZP		
H	21863	BOLT – RHSSN 3/8 NC X 0.75 LG GR 5 ZP		
J	100456	BOLT – RHSSN 3/8 NC X 1.0 GR 5 ZP		
K	30228	NUT – FLANGE DT SMOOTH FACE 0.375-16 UNC		
L	135248	NUT – FLG DT SMTH FACE 1/4-20 NC GR 5 ZP		
M	40628	WASHER – FLAT		
N	101898	SCREW – HEX WASH HD THD ROLLING 3/8 NC X 5/8		
P	19966	BOLT – RHSN 3/8-16 X 1.25 GR 5 ZP		

200. Kits available through Whole Goods only.

201. Includes decals (MD #220797, 220798).

# 60 (Option) Slow Speed Transport Package – Wheels and Supports



(OPTION) SLOW SPEED TRANSPORT PACKAGE – WHEELS AND SUPPORTS

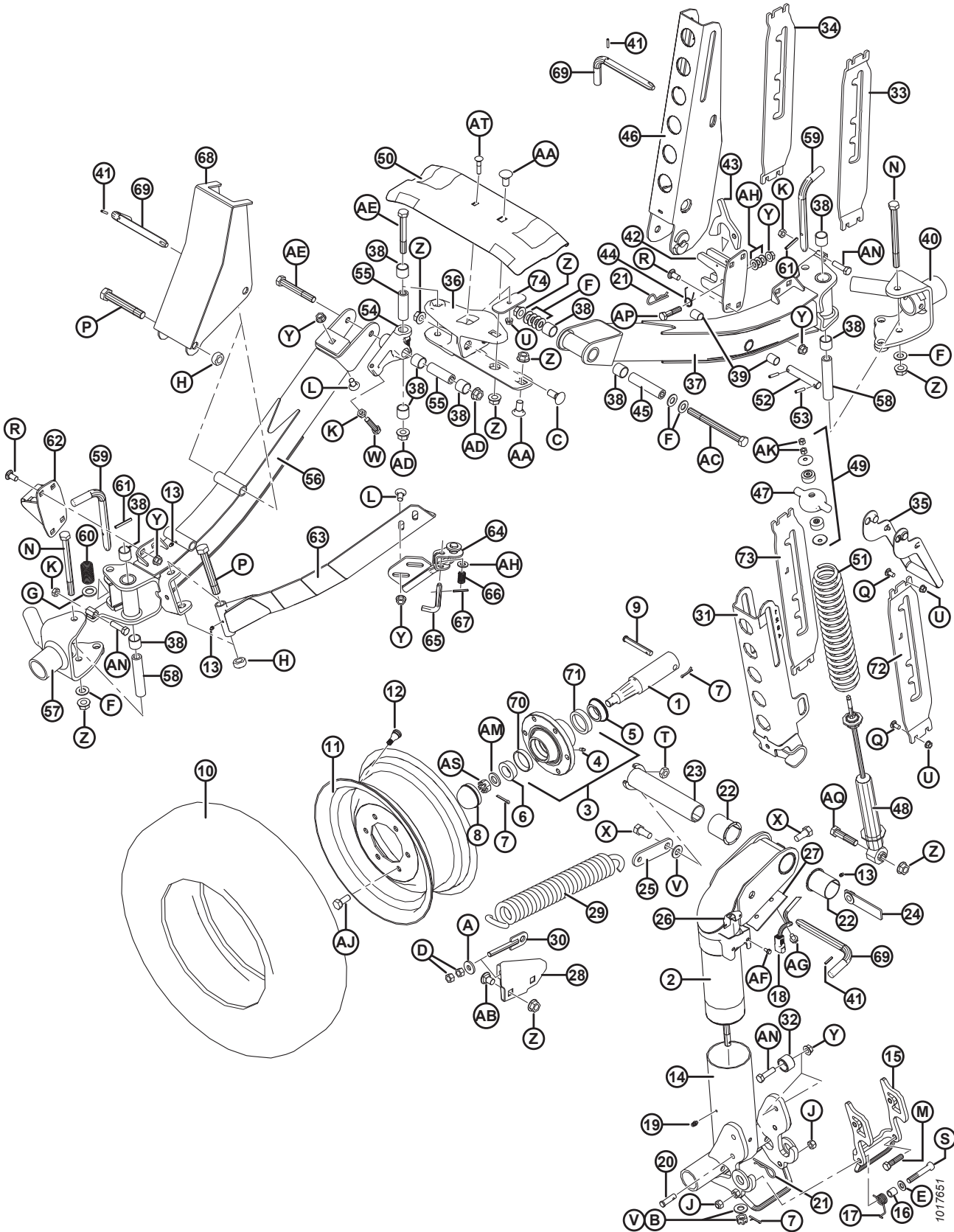
Ref	Part Number	Description	Qty	Serial Number
	B5224	KIT – STABILIZER WHEELS <sup>202</sup>		
	B6449	KIT – TRANSPORT SUPPORTS AND HUBS <sup>202</sup>		
1	144378	SPINDLE	4	
2	244722	PIVOT WELDT	1	
3	41982	HUB – C/W BEARING CUPS <sup>203</sup>	4	
4	50174	FITTING – LUBE, DRIVE TYPE 1/4 IN. (CTD HUB)	4	
	21887	FITTING – LUBE, 1/8 NPT (ARMSTRONG HUB)	4	
5	30517	BEARING – CONE, C/W SEAL	4	
6	21376	BEARING – CONE ROLLER (NO SEAL)	4	
7	18648	PIN – COTTER 3/16 DIA X 1.25 ZP	7	
8	30520	CAP – DUST	4	
9	101007	PIN – CLEVIS	4	
10	193031	TIRE – ST 205/75 R15 STEEL BELTED RADIAL	4	
11	144531	WHEEL – 15 X 6 LB	4	
12	21153	STEM – TIRE VALVE ASSEMBLY #TR-415	4	
13	18671	FITTING – LUBE 1/4-28 UNF	5	
14	144971	SPINDLE WELDT	1	
15	144976	LATCH WELDT	1	
16	144742	SPACER – 3/4 IN. O.D. X .120 WALL X 19 LONG	1	
17	144741	SPRING – TORSION	1	
18	REF	HARNESS <sup>204</sup>		
19	21010	FITTING – LUBE 90° 1/4-28 TAPER THD	2	
20	19927	PIN – CLEVIS	1	
21	13125	PIN – HAIR	1	
22	35694	BUSHING – PLASTIC	2	
23	144374	PIN – WELDT	1	
24	144577	BAR – NUT ASSY	1	
25	144471	BAR	1	
26	193057	CLIP – WIRING HARNESS DEUTSCH CONNECTOR	1	
27	144739	HOLDER	1	
28	144873	SUPPORT – WELDT	1	
29	144724	SPRING – EXTENSION	1	
30	144425	BOLT – EYE WELDT	1	
31	144968	CHANNEL WELDT	1	
32	193008	ROLLER	2	
33	193214	SUPPORT – LH (USED RIGHT SIDE OF HEADER)	1	
34	193215	SUPPORT – RH (USED RIGHT SIDE OF HEADER)	1	
35	144899	HANDLE – WELDT	2	
36	125256	SUPPORT – WELDT	1	

202. Kits available through Whole Goods only.

203. Includes lube fitting (MD #50174), bearing cup (MD #7900), and bearing cup (MD #30516).

204. Refer to Section 58 (Option) Slow Speed Transport Package – Hitch Electrical, page 159.

(OPTION) SLOW SPEED TRANSPORT PACKAGE – WHEELS AND SUPPORTS



(OPTION) SLOW SPEED TRANSPORT PACKAGE – WHEELS AND SUPPORTS

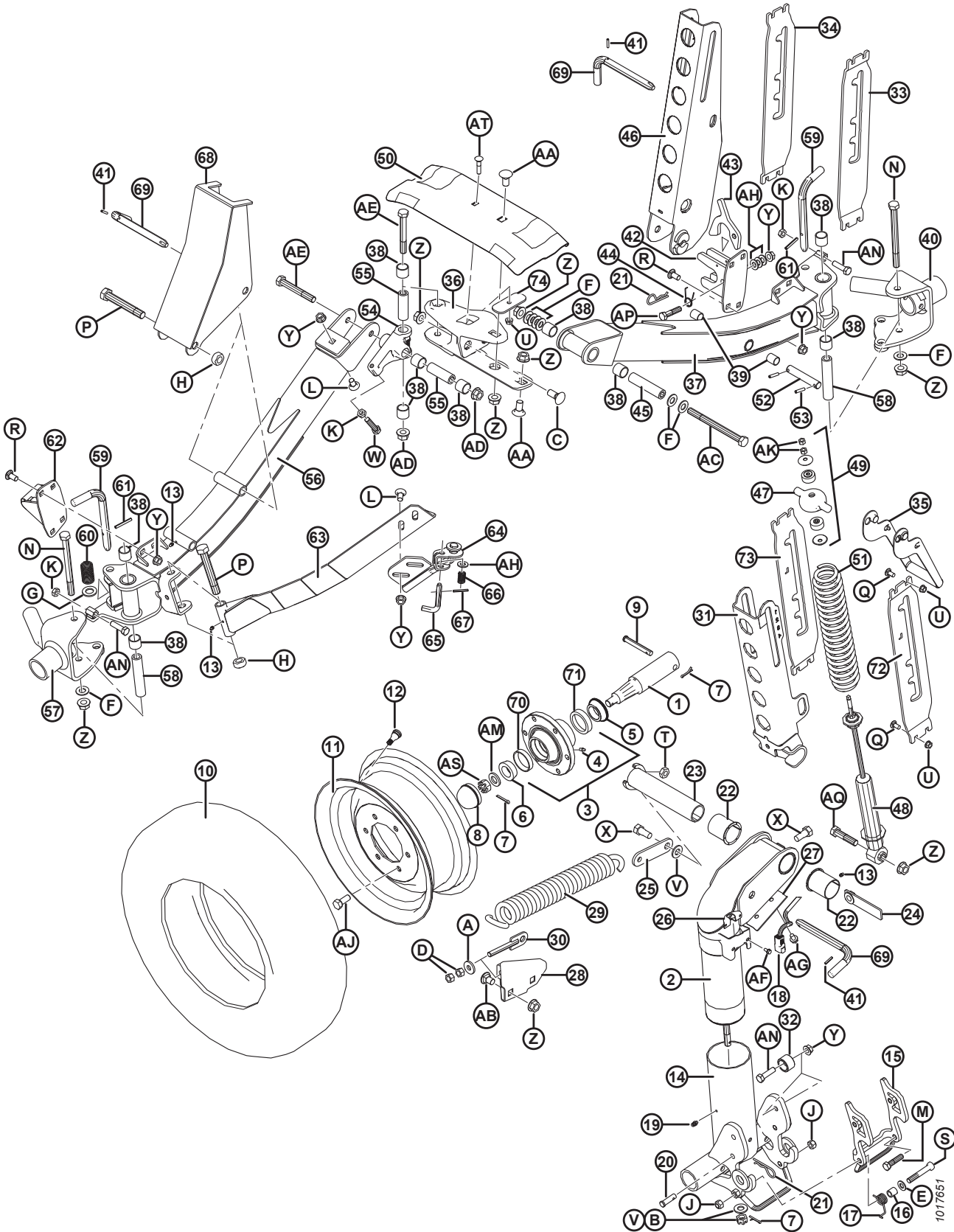
Ref	Part Number	Description	Qty	Serial Number
37	294094	TUBE – AXLE, C/W BUSHINGS <sup>205</sup>	1	
38	133992	BUSHING – COMPOSITE	10	
39	156501	BUSHING – PLASTIC	2	
40	294036	PIVOT – LH WELDT	1	
41	16010	PIN – SPRING 3/16 DIA X 1.0 LG	3	
42	193009	LATCH – WELDT	1	
43	193016	LATCH	1	
44	144505	SPRING – TORSION	1	
45	144880	SPACER	1	
46	144956	CHANNEL WELDT	1	
47	144966	CASTING – SPRING CAP	2	
48	144934	SHOCK – TENNECO <sup>206</sup>	2	
49	174922	KIT – SHOCK MOUNTING	2	
50	220099	SUPPORT – DRAPER, TRANSPORT	1	
51	144962	SPRING – COMPRESSION	2	
52	144376	PIN – STRAIGHT	1	
53	16266	PIN – SPRING 1/4 DIA X 1.25 LG	2	
54	244748	PIVOT – ASSY W/ BUSHINGS <sup>207</sup>	1	
55	244671	SPACER	2	
56	294091	AXLE – ASSY, C/W BUSHINGS <sup>207</sup>	1	
57	294037	PIVOT – RH WELDT	1	
58	193022	SPACER	2	
59	144989	L-PIN	2	
60	29028	SPRING – COMPRESSION	2	
61	2148	PIN – SPRING 1/4 DIA X 2.0 LG	2	
62	193014	LATCH WELDT	1	
63	144324	BRACE – ANGLE WELDT	1	
64	144433	LATCH WELDT	1	
65	144409	L-PIN	1	
66	35618	SPRING – COMPRESSION	1	
67	7642	PIN – SPRING 3/16 DIA X 1.5 LG	1	
68	144321	SUPPORT – C'BAR WELDT	1	
69	144415	ASSY – L-PIN	3	
70	7900	CUP – ROLLER BEARING	4	
71	30516	CUP – ROLLER BEARING	4	
72	193216	SUPPORT – LH (USED LEFT SIDE OF HEADER)	1	
73	193217	SUPPORT – RH (USED LEFT SIDE OF HEADER)	1	
74	125236	BAR – DRAPER SUPPORT RETENTION	1	
A	4761	WASHER – FLAT		
B	6649	NUT – SLOTTED HEX 0.625 IN. NC ZN PL		

205. Includes composite bushing (MD #133992) and plastic bushing (MD #156501).

206. Includes shock mounting kit (MD #174922).

207. Includes composite bushing (MD #133992) and hardware (MD #21056, 30833).

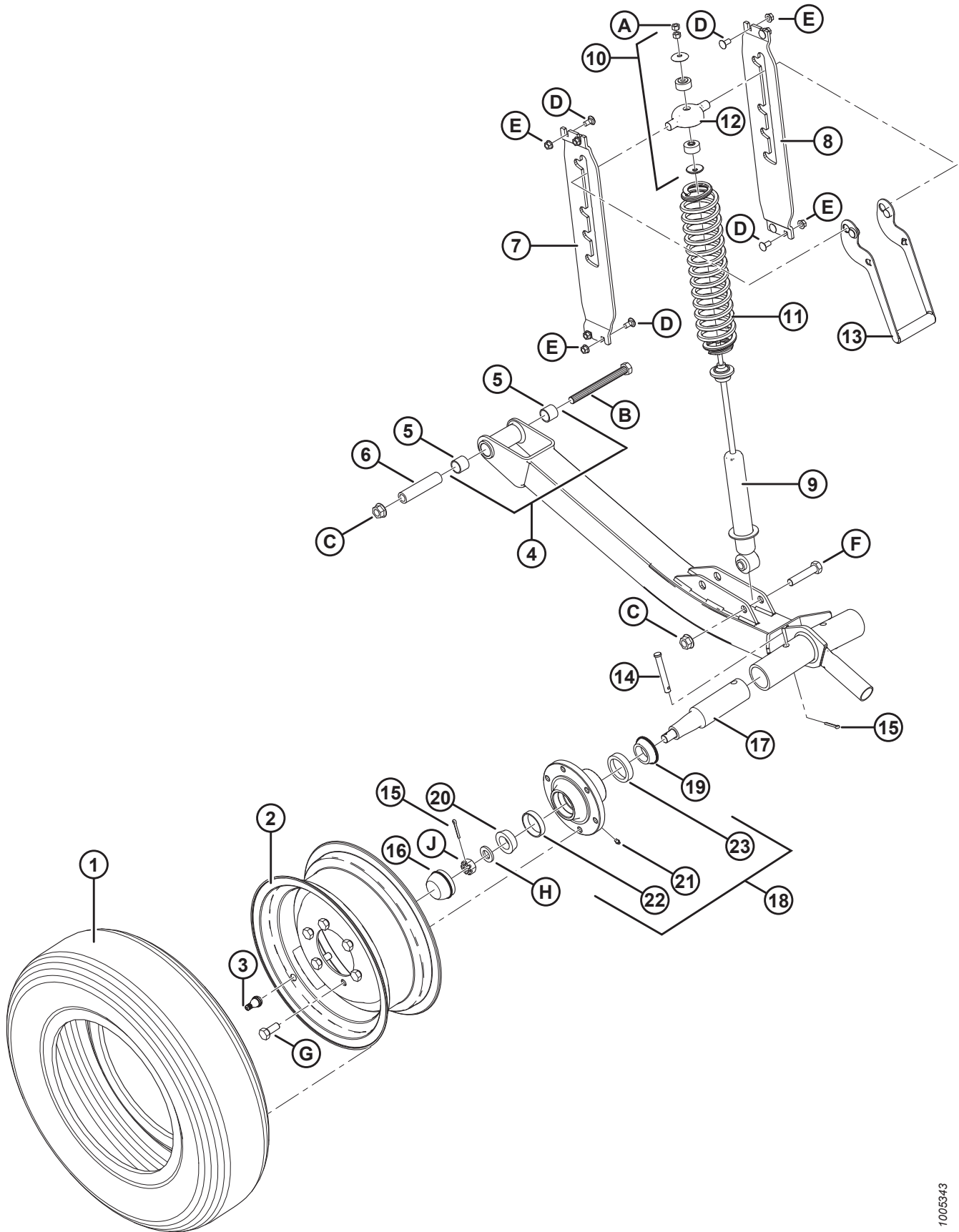
(OPTION) SLOW SPEED TRANSPORT PACKAGE – WHEELS AND SUPPORTS



(OPTION) SLOW SPEED TRANSPORT PACKAGE – WHEELS AND SUPPORTS

Ref	Part Number	Description	Qty	Serial Number
C	18523	BOLT – RHSN 5/8 NC X 1.5 GR 5 ZP		
D	18591	NUT – HEX 1/2-13 UNC GR 5 ZP		
E	18599	WASHER – SAE FLAT 17/32 I.D. X 1-1/16 IN. O.D. ZP		
F	18600	WASHER – SAE FLAT 21/32 I.D. X 1-5/16 IN. O.D. ZP		
G	18601	WASHER – SAE FLAT 13/16 I.D. X 1.5 IN. O.D. ZP		
H	102636	NUT – HEX, SIDE LOCK DT .750-10 UNC		
J	18697	NUT – HEX LOCK DT .500-13 UNC		
K	21056	NUT – HEX JAM 1/2-13 UNC GR 5 ZP		
L	21066	BOLT – RHSN 1/2 NC X 1 GR 5 ZP		
M	21576	BOLT – HH 1/2 NC X 2.0 LG GR 5 ZP		
N	21591	BOLT – HH 5/8 NC X 7.5 LG GR 5 ZP		
P	21599	BOLT – HH 3/4 NC X 5.0 LG GR 5 ZP		
Q	100456	BOLT – RHSSN 3/8 NC X 1.0 GR 5 ZP		
R	21868	BOLT – RHSSN 1/2 NC X 1.0 GR 5 ZP		
S	21560	BOLT – HH 1/2 NC X 3.0 LG GR 5 ZP		
T	21941	NUT – HEX LOCK JAM (DT) 5/8-11 UNC GR 5 ZP		
U	30228	NUT – FLANGE DT SMOOTH FACE 0.375-16 UNC		
V	30441	WASHER – HARDENED		
W	30833	BOLT – HH 1/2 NC X 2.25 TFL GR 5 ZP		
X	48050	BOLT – SHOULDER .625-11 UNC		
Y	50186	NUT – FLANGE LOCK SM FACE DT 0.500-13 UNC GR 5		
Z	50225	NUT – FLANGE DT SMOOTH FACE .625-11 UNC		
AA	103562	BOLT – RHSN 5/8 NC X 1.25 GR 5 ZP		
AB	117015	BOLT – RHSSN 5/8 NC X 1.0 GR 5 ZP		
AC	193211	BOLT – HEX HEAD 5/8 NC X 7.5 LG GR 8 ZP		
AD	188467	NUT – FLANGE DT SMOOTH FACE .625-18 UNC GR. G		
AE	252305	BOLT – HH FINE 5/8-18 X 4.5 GR 8 ZP		
AF	21055	SCREW – SELF TAP HEX WASH HD 1/4 NC X 1/2		
AG	101898	SCREW – HEX WASH HD THD ROLLING 3/8 NC X 5/8		
AH	18599	WASHER – SAE FLAT 17/32 I.D. X 1-1/16 IN. O.D. ZP		
AJ	18916	BOLT – 90° WHEEL 9/16 NF X 1.75 OL		
AK	18866	NUT – HEX 3/8-24 UNF GR 5 ZP		
AM	21540	WASHER – HARDENED		
AN	50072	BOLT – HH 1/2 NC X 1.75 LG TFL GR 5 ZP		
AP	21578	BOLT – HH 1/2 NC X 2.25 LG GR 5 ZP		
AQ	30922	BOLT – HH 5/8 NC X 2.75 GR 5 ZP		
AS	5512	NUT – HEX SLOTTED .750-16 UNF ZN PL		
AT	50197	BOLT – RHSN 3/8 NC x 1.75 LG GR 5 ZP		

# 61 (Option) Stabilizer Wheels





(OPTION) STABILIZER WHEELS

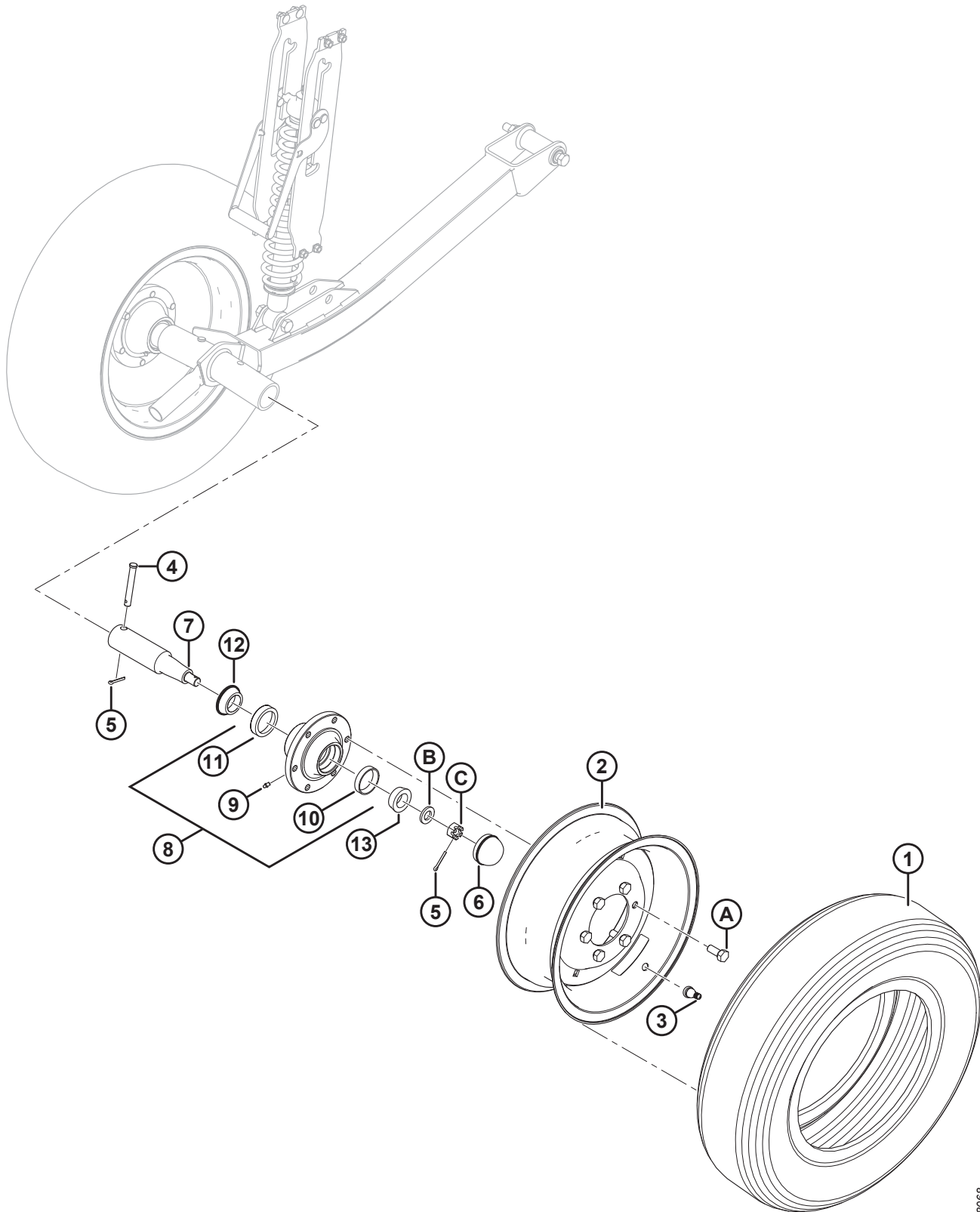
Ref	Part Number	Description	Qty	Serial Number
	C1986	KIT – STABILIZER WHEELS (30–45 FT ONLY) <sup>208</sup>		
1	193031	TIRE – ST 205/75 R15 STEEL BELTED RADIAL	2	
2	144531	WHEEL – 15 X 6 LB	2	
3	21153	STEM – TIRE VALVE ASSEMBLY #TR–415	2	
4	144860	TUBE – AXLE, C/W BUSHINGS <sup>209</sup>	2	
5	133992	BUSHING – COMPOSITE	4	
6	144880	SPACER	2	
7	193214	SUPPORT – LH	2	
8	193215	SUPPORT – RH	2	
9	144934	SHOCK – TENNECO	2	
10	174922	KIT – SHOCK MOUNTING	2	
11	144935	SPRING – COMPRESSION	2	
12	144966	CASTING – SPRING CAP	2	
13	144899	HANDLE – WELDT	2	
14	101007	PIN – CLEVIS	2	
15	18648	PIN – COTTER 3/16 DIA X 1.25 ZP	2	
16	30520	CAP – DUST	2	
17	144378	SPINDLE	2	
18	41982	HUB – C/W BEARING CUPS <sup>210</sup>	2	
19	30517	BEARING – CONE, INNER W/ SEAL	2	
20	21376	BEARING – CONE, OUTER	2	
21	50174	FITTING – LUBRICATION DRIVE TYPE 1/4 IN. (CTD HUB)	2	
	21887	FITTING – LUBE, 1/8 NPT (ARMSTRONG HUB)	2	
22	7900	BEARING – CUP, OUTER	2	
23	30516	BEARING – CUP, INNER	2	
A	18866	NUT – HEX 3/8-24 UNF GR 5 ZP		
B	21577	BOLT – HH 5/8 NC X 6.5 LG GR 5 ZP		
C	50225	NUT – FLANGE DT SMOOTH FACE 5/8-11 UNC		
D	21863	BOLT – RHSSN 3/8 NC X 0.75 LG GR 5 ZP		
E	30228	NUT – FLANGE DT SMOOTH FACE 3/8-16 UNC		
F	21583	BOLT – HH 5/8 NC X 3.0 LG GR 5 ZP		
G	18916	BOLT – 90° WHEEL 9/16 NF X 1.75 OL		
H	21540	WASHER – HARDENED		
J	5512	NUT – HEX SLOTTED .750-16 UNF ZN PL		

208. Kits available through Whole Goods only.

209. Includes two bushings (MD #133992).

210. Includes lube fitting (MD #50174 or 21887) and bearings (MD #7900, 30516).

## 62 (Option) Stabilizer Wheels – Secondary



1018068

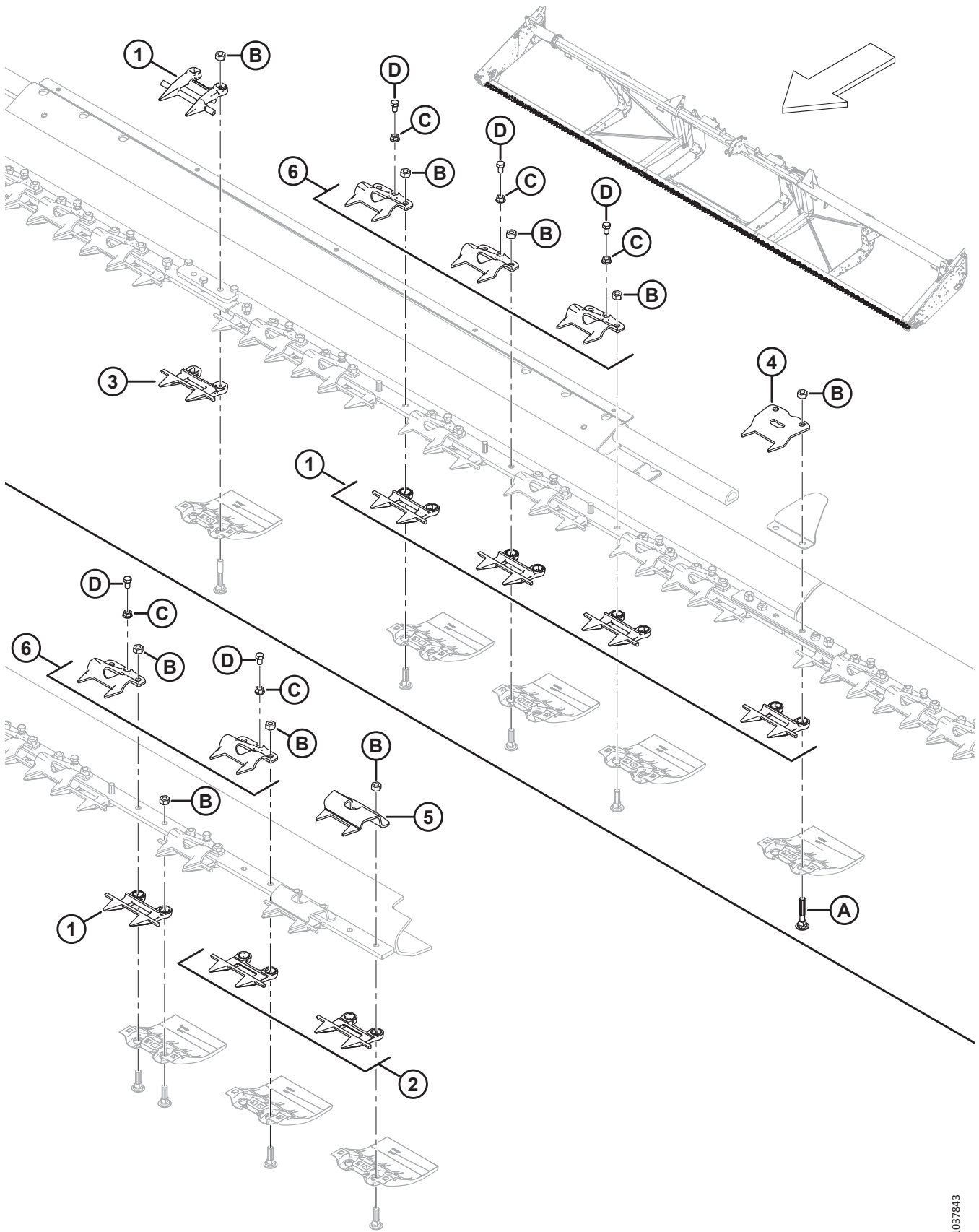
(OPTION) STABILIZER WHEELS – SECONDARY

Ref	Part Number	Description	Qty	Serial Number
	B6179	KIT – SECOND STABILIZER WHEEL <sup>211</sup>		
1	193031	TIRE – ST 205/75 R15 STEEL BELTED RADIAL	1	
2	144531	WHEEL – 15 X 6 LB	1	
3	21153	STEM – TIRE VALVE ASSEMBLY #TR-415	1	
4	101007	PIN – CLEVIS	1	
5	18648	PIN – COTTER 3/16 DIA X 1.25 ZP	2	
6	30520	CAP – DUST	1	
7	144378	SPINDLE	1	
8	41982	HUB – C/W BEARING CUPS <sup>212</sup>	1	
9	50174	FITTING – LUBRICATION DRIVE TYPE 1/4 IN. (CTD HUB)	1	
	21887	FITTING – LUBE, 1/8 NPT (ARMSTRONG HUB)	1	
10	7900	BEARING – CUP, OUTER	1	
11	30516	BEARING – CUP, INNER	1	
12	30517	BEARING – CONE, INNER W/ SEAL	1	
13	21376	BEARING – CONE, OUTER	1	
A	18916	BOLT – 90° WHEEL 9/16 NF X 1.75 OL		
B	21540	WASHER – HARD ASTM F436 M20-340HV-AB2C		
C	5512	NUT – HEX SLOTTED .750-16 UNF ZN PL		

211. Kits available through Whole Goods only.

212. Includes lube fitting (MD #50174 or 21887) and bearing cups (MD #7900, 30516).

# 63 (Option) Stub Guards with Sheet Metal Hold-Downs



**(OPTION) STUB GUARDS WITH SHEET METAL HOLD-DOWNS**

**NOTE:**

Illustration; TOP: middle, BOTTOM: left end (right end is opposite). Stub Guards with Sheet Metal Hold-Downs kits are designed for use with FD125, FD130, and FD135 export flex headers, and FD140 and FD145 export split frame flex headers.

**NOTE:**

On FD140 and FD145 split-frame headers, a standard guard (MD #118346) is used as the center hold-down over the offset center guard (MD #124775).

Ref	Part Number	Description	Qty	Serial Number
	B6982	KIT – STUB GUARDS AND SM HOLD DOWNS 25 FT FD <sup>213</sup>		
	B6677	KIT – STUB GUARDS AND SM HOLD DOWNS 30 FT FD <sup>213</sup>		
	B6678	KIT – STUB GUARDS AND SM HOLD DOWNS 35 FT FD <sup>213</sup>		
	B6679	KIT – STUB GUARDS AND SM HOLD DOWNS 40 FT FD <sup>213</sup>		
	B6680	KIT – STUB GUARDS AND SM HOLD DOWNS 45 FT FD <sup>213</sup>		
1	118346	SICKLE GUARD <sup>214</sup>		
2	118347	SICKLE GUARD – STUB, W/O WEARBAR <sup>215</sup>		
3	124775	SICKLE GUARD – CENTER, STUB (40–45 FT ONLY) <sup>216</sup>		
4	294849	CLIP – SHEET METAL HOLD-DOWN (SPLIT JOINT) <sup>217</sup>		
5	165209	CLIP – SHEET METAL HOLD-DOWN (KNIFEHEAD END) <sup>218</sup>		
6	118351	CLIP <sup>219</sup>		
A	279575	BOLT – RHSN 7/16-14 X 2.5-GR5-ZP		
B	18654	NUT – HEX 7/16-14 UNC GR 5 ZP		
C	118193	NUT – FLANGE HEX .375 UNC		
D	118154	BOLT – HEX HD TFL 3/8-16 X 0.63 GR8-AA1J		

213. Kits available through Whole Goods only.

214. Complete cutterbar quantities: FD125 = 46, FD130 = 56, FD135= 66, FD140 = 72, FD145 = 82.

215. Complete cutterbar quantities: FD125 = 4, FD130 = 4, FD135 = 4, FD140 = 8, FD145 = 8.

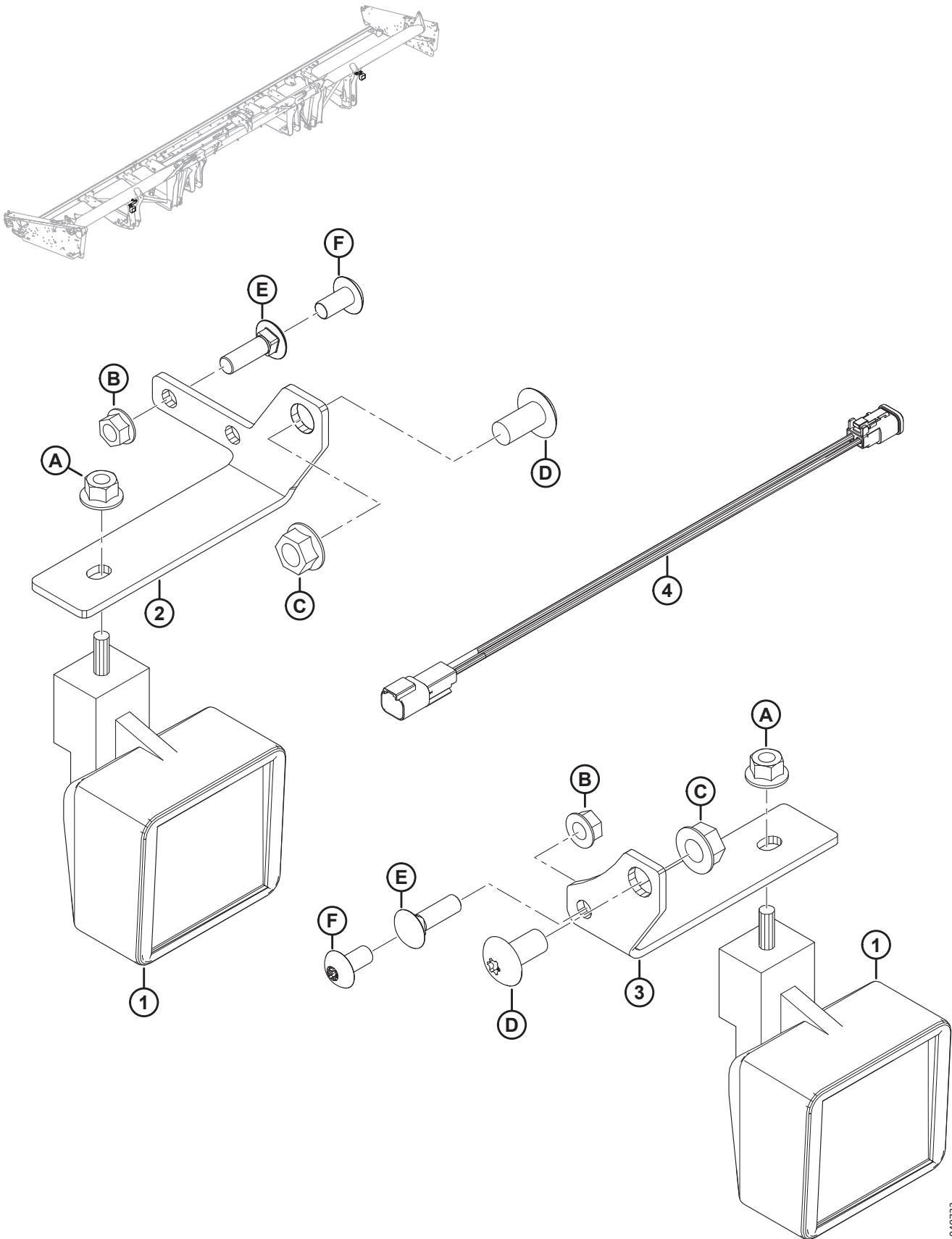
216. Complete cutterbar quantities: FD125 = 0, FD130 = 0, FD135 = 0, FD140 = 1, FD145 = 1.

217. Complete cutterbar quantities: FD125 = 2, FD130 = 2, FD135 = 2, FD140 = 3, FD145 = 3.

218. Complete cutterbar quantities: FD125 = 2, FD130 = 2, FD135 = 2, FD140 = 4, FD145 = 4.

219. Complete cutterbar quantities: FD125 = 43, FD130 = 53, FD135 = 63, FD140 = 67, FD145 = 76.

# 64 (Option) Stubble Lights



(OPTION) STUBBLE LIGHTS

Ref	Part Number	Description	Qty	Serial Number
	B6634	KIT – STUBBLE LIGHT 30-45 FT JD <sup>220</sup>		
1	109717	LIGHT – WORK	2	
2	304021	SUPPORT – LH STUBBLE LIGHT	1	
3	245450	SUPPORT – RH STUBBLE LIGHT	1	
4	<b>138744</b>	<b>HARNESS – M205, DWA EXTENSION</b> <sup>221</sup>	<b>1</b>	
A	50101	NUT – HEX FLG STVR LOC M10 X 1.5-10-AA1J		
B	30228	NUT – FLG DT SMTH FACE 3/8 NC-GR5-AA1J		
C	50186	NUT – FLG LK SM FACE DT 1/2-13 UNC-GR5-AA1J		
D	105136	SCREW – MACHINE		
E	19966	BOLT – RHSN 3/8-16 X 1.25-GR5-AA1J <sup>222</sup>		
F	135157	SCREW – MACHINE <sup>223</sup>		

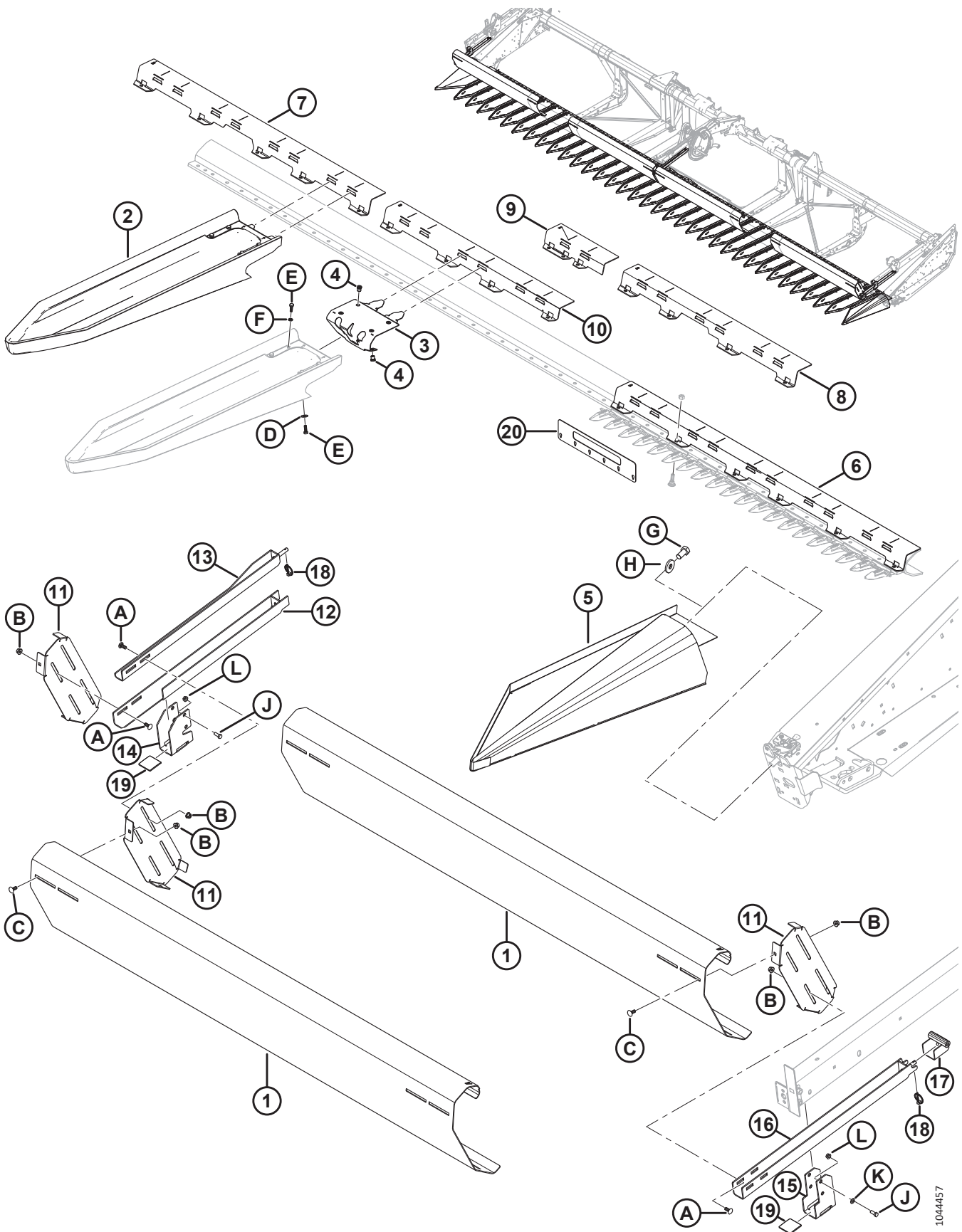
220. Used with John Deere combines only. Kits available through Whole Goods only.

221. Harness (MD #138744) is used on the left stubble light when the slow speed transport option is installed on John Deere-configured headers.

222. Bolt used when mounting with slow speed transport installed.

223. Screw used when the support is mounted to header leg. No slow speed transport installed.

# 65 (Option) Sunflower Attachment – Base Kit



1044457



**(OPTION) SUNFLOWER ATTACHMENT – BASE KIT**

Ref	Part Number	Description	Qty	Serial Number
	C2082	KIT – 30 FOOT SUNFLOWER ATTACHMENT <sup>224</sup>		
	C2083	KIT – 35 FOOT SUNFLOWER ATTACHMENT <sup>224</sup>		
	C2084	KIT – 40 FOOT SUNFLOWER ATTACHMENT <sup>224</sup>		
	C2085	KIT – 45 FOOT SUNFLOWER ATTACHMENT <sup>224</sup>		
	B7269	KIT – SUNFLOWER ATTACHMENT BASE <sup>225</sup>		
1	119530	DEFLECTOR – LEAN BAR A <sup>226</sup>		
2	119722	PAN – QUICK ATTACH <sup>227</sup>		
3	119723	ASSEMBLY – PAN LATCH <sup>228</sup>		
4	252179	RIVNUT – M8 X 1.25 HEX 0.7-3.8 <sup>229</sup>		
5	119392	PAN – END LH WELDT	1	
	119442	PAN – END RH WELDT	1	
6	119415	SUPPORT – PAN 5 FT A <sup>230</sup>		
7	119460	SUPPORT – PAN 4 FT B <sup>231</sup>		
8	119457	SUPPORT – PAN 3 FT C <sup>232</sup>		
9	119446	SUPPORT – PAN HINGE D	1	
	119447	SUPPORT – PAN HINGE E	1	
10	119454	SUPPORT – PAN HINGE F	1	
	119455	SUPPORT – PAN HINGE G	1	
11	119384	BRACKET – LEAN BAR MOUNT	4	
12	119285	SUPPORT – LEAN BAR <sup>233</sup>	1	
13	119284	BRACKET – LEAN BAR MOUNT WELDT <sup>233</sup>	1	
14	119282	SUPPORT – LEAN BAR <sup>233</sup>	1	
15	119728	SUPPORT – LEAN BAR <sup>234</sup>	2	
16	119729	BRACKET – LEAN BAR MOUNT WELDT <sup>234</sup>	2	
17	119747	SUPPORT – REEL ARM <sup>234</sup>	2	
18	102264	PIN – LYNCH 3/16 X 9/16 IN.	3	
19	137626	PAD – REEL DRIVE WEAR	3	
20	119543	TOOL – GUARD TIP CHECK	1	
A	136506	BOLT – RHSSN M10 X 1.5 X 25-8.8-AA1J		
B	135799	NUT – HEX FLG CTR LOC M10 X 1.5-10		
C	135785	BOLT – RHSN M10 X 1.5 X 25-8.8-AA1J		

224. Kit contains base kit (B7269), pans kit (B7273), and deflectors kit (B7282, B7283, B7284, or B7285). Kits available through Whole Goods only.

225. Kits available through Whole Goods only.

226. Quantities: FD130 = 4; FD135 = 4; FD140 = 4; FD145 = 6.

227. Includes latch (MD #119723), clamp (NSS), six bolts (MD #184652), four lock spring washers (MD #30716), and two flat washers (MD 184709). Quantities: FD130 = 30; FD135 = 35; FD140 = 40; FD145 = 45.

228. Includes six rivnuts (MD #252179).

229. Six installed on each pan latch assembly (MD #119723).

230. Quantities: FD130 = 2; FD135 = 2; FD140 = 4; FD145 = 4.

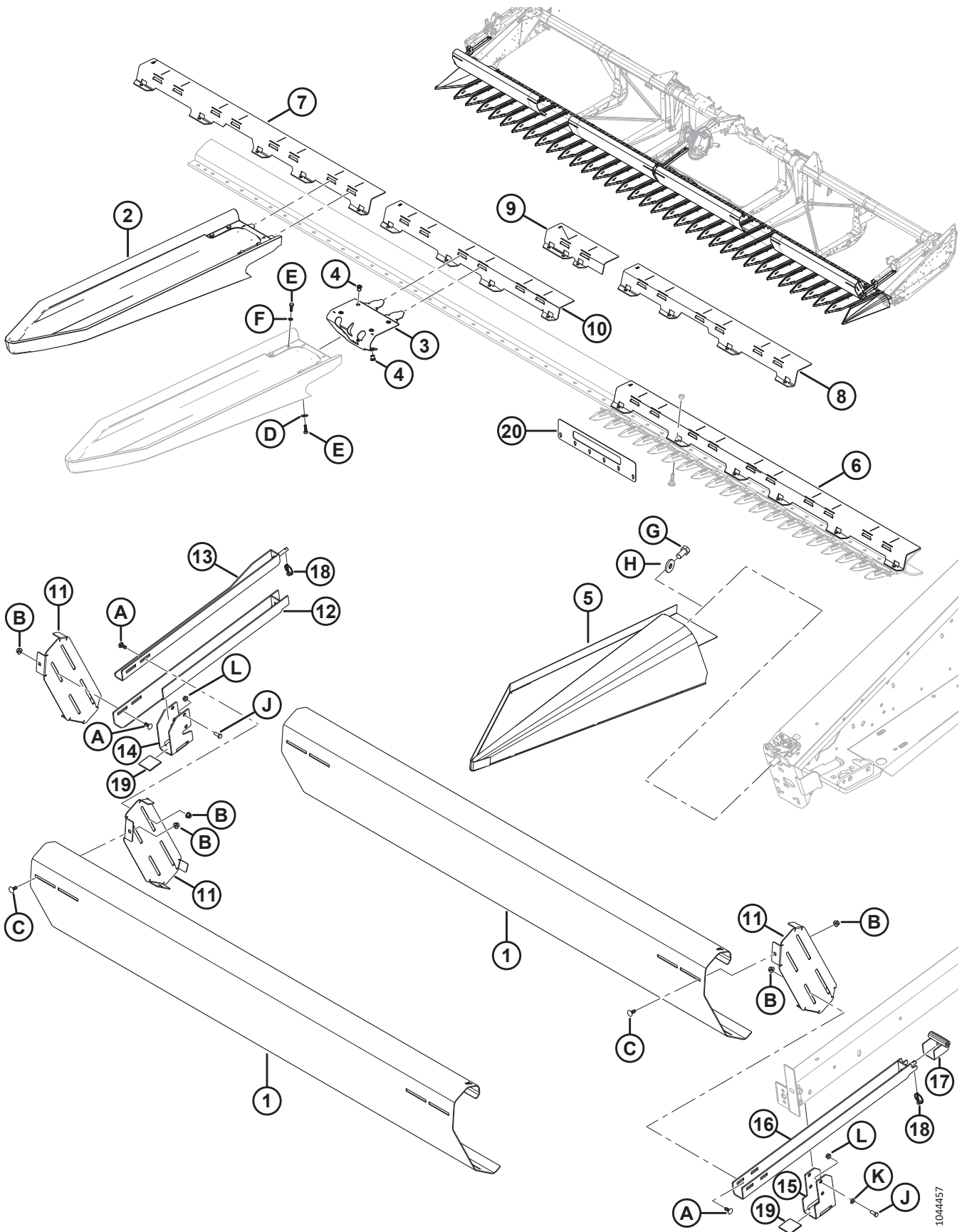
231. Quantities: FD130 = 1; FD135 = 0; FD140 = 1; FD145 = 0.

232. Quantities: FD130 = 2; FD135 = 5; FD140 = 2; FD145 = 5.

233. Used on reel center arm.

234. Used on reel outer arms.

(OPTION) SUNFLOWER ATTACHMENT – BASE KIT



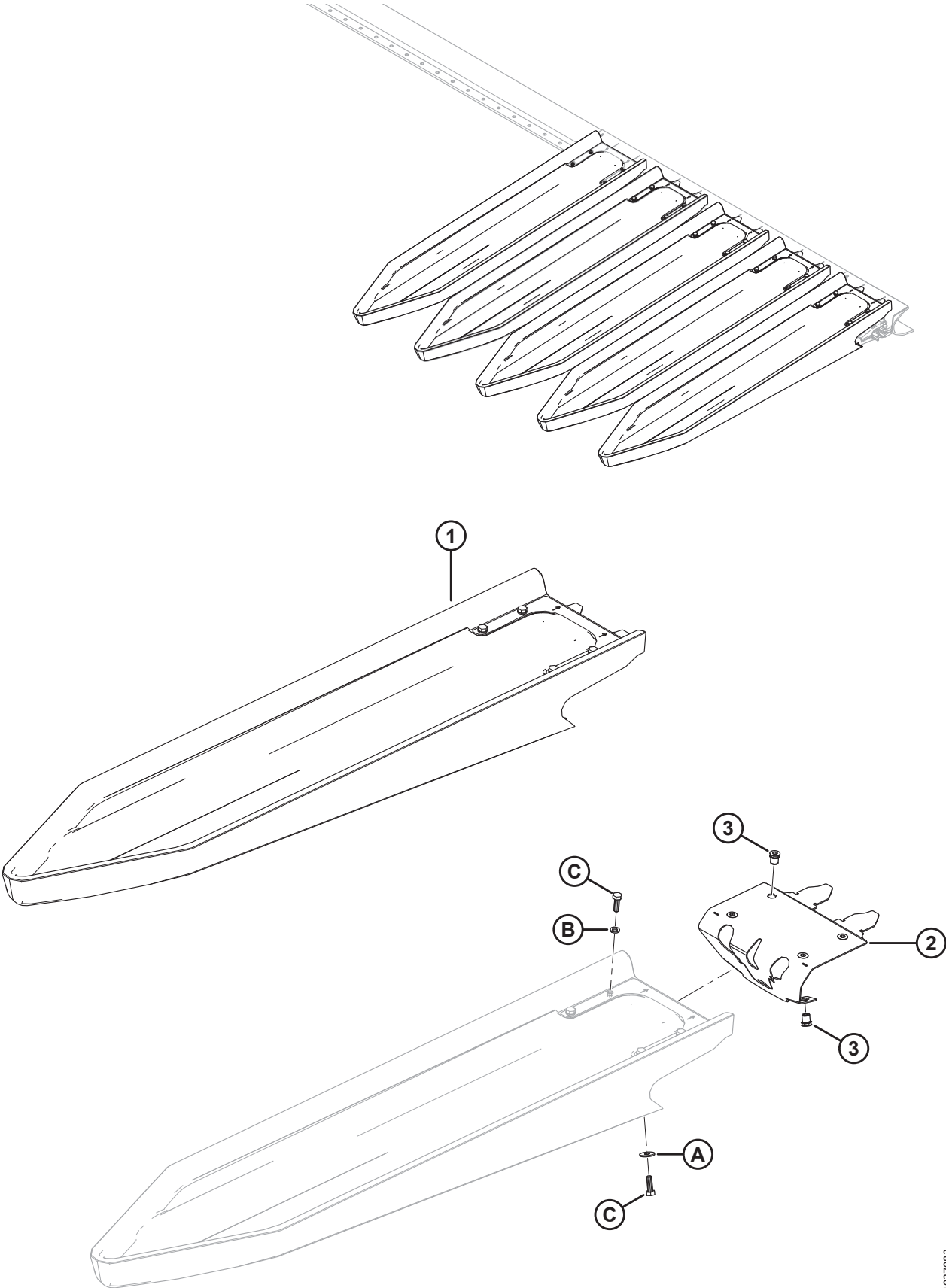
(OPTION) SUNFLOWER ATTACHMENT – BASE KIT

Ref	Part Number	Description	Qty	Serial Number
D	184709	WASHER – FLAT LARGE M8-200HV		
E	184652	BOLT – HEX HD TFL M8 X 1.25 X 25-8.8-AA1J		
F	30716	WASHER – LOCK SPRING M8-CS-1055-1065-AA1J		
G	135579	BOLT – HEX HD 3/4-16 X 1.5-GR5-AA1J <sup>235</sup>		
H	6647	WASHER – FLAT <sup>235</sup>		
J	<b>21491</b>	<b>BOLT – HEX HD 1/2-13X1.25 GR5-AA1J</b>		
K	<b>18599</b>	<b>WASHER – FLAT SAE 17/32 ID X 1 1/16 OD AA1J</b>		
L	<b>50186</b>	<b>NUT – FLG LK DT 1/2-13 UNC GR5 AA1J</b>		

---

235. Used if latch assembly is not installed.

# 66 (Option) Sunflower Attachment – Pans



(OPTION) SUNFLOWER ATTACHMENT – PANS

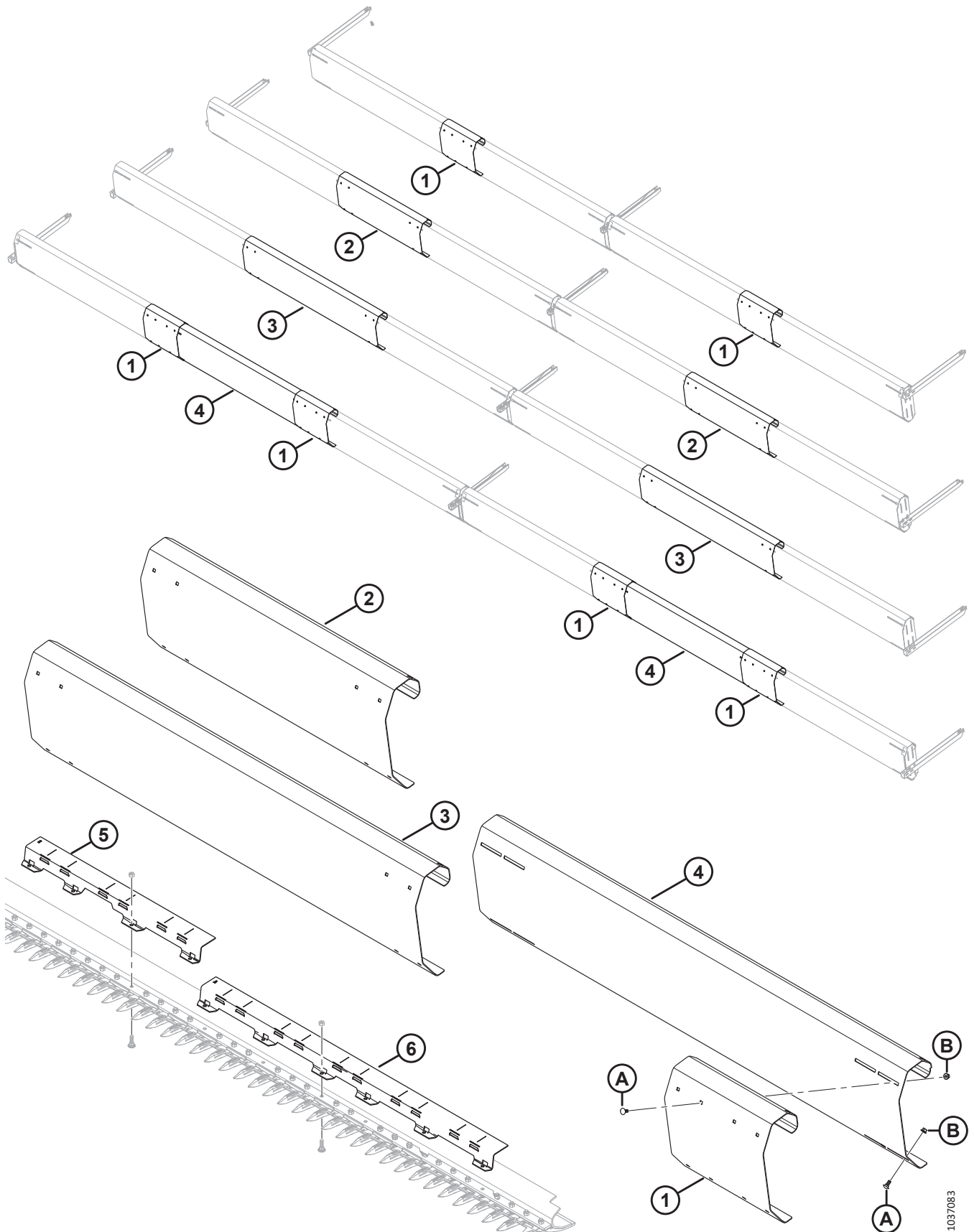
Ref	Part Number	Description	Qty	Serial Number
	B7273	KIT – SUNFLOWER PAN (5 PANS) <sup>236</sup>	1	
1	119722	PAN – QUICK ATTACH <sup>237</sup>	5	
2	119723	ASSEMBLY – PAN LATCH <sup>238</sup>	5	
3	252179	RIVNUT – M8 X 1.25 HEX0.7-3.8	30	
A	184709	WASHER – FLAT LARGE M8-200HV		
B	30716	WASHER – LOCK SPRING M8-CS-1055-1065-AA1J		
C	184652	BOLT – HEX HD TFL M8 X 1.25 X 25-8.8-AA1J		

236. Kit contains 5 pans. Base kit (B7269) contains pans for 30-ft. header. 35-ft. header requires 1 pan kit, 40-ft. header requires 2 pan kits, and 45-ft. header requires 3 pan kits. Kits available through Whole Goods only.

237. Includes latch (MD #119723), clamp (NSS), six bolts (MD #184652), four lock spring washers (MD #30716), and two flat washers (MD 184709).

238. Includes six rivnuts (MD #252179).

# 67 (Option) Sunflower Attachment – Deflectors



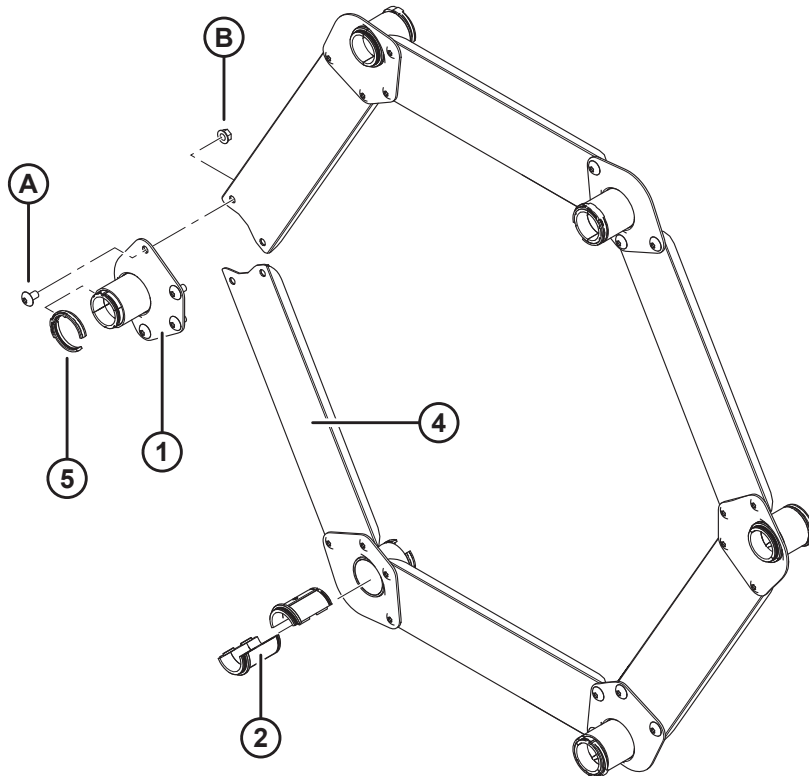
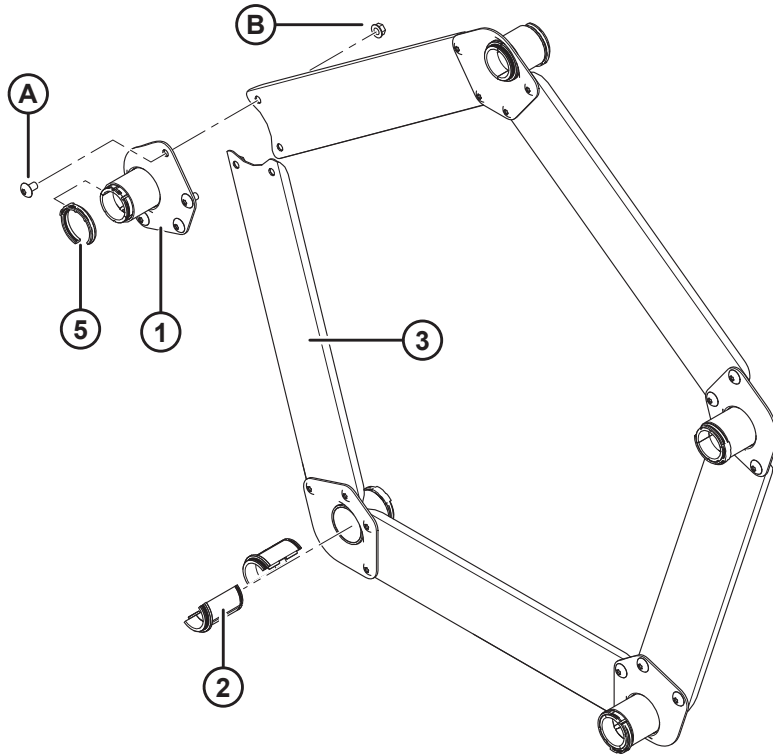
(OPTION) SUNFLOWER ATTACHMENT – DEFLECTORS

Ref	Part Number	Description	Qty	Serial Number
	B7282	KIT – SUNFLOWER DEFLECTOR 30 FT <sup>239</sup>		
	B7283	KIT – SUNFLOWER DEFLECTOR 35 FT <sup>239</sup>		
	B7284	KIT – SUNFLOWER DEFLECTOR 40 FT <sup>239</sup>		
	B7285	KIT – SUNFLOWER DEFLECTOR 45 FT <sup>239</sup>		
1	119519	DEFLECTOR – LEAN BAR B (30 AND 45 FT) <sup>240</sup>		
2	119531	DEFLECTOR – LEAN BAR C (35 FT)	2	
3	119518	DEFLECTOR – LEAN BAR D (40 FT)	2	
4	119530	DEFLECTOR – LEAN BAR A (45 FT)	2	
5	119457	SUPPORT – PAN 3 FT C (35 AND 45 FT)	3	
6	119415	SUPPORT – PAN 5 FT A (40 AND 45 FT)	2	
A	135785	BOLT – RHSN M10 X 1.5 X 25-8.8-AA1J (45 FT)		
B	135799	NUT – HEX FLG CTR LOC M10 X 1.5-10 (45 FT)		

239. Kits available through Whole Goods only.

240. Quantities: 30 ft. = 2, 45 ft. = 4

# 68 (Option) Tine Tube Reinforcing Kit





(OPTION) TINE TUBE REINFORCING KIT

**NOTE:**

Illustration; TOP: 5 bat, BOTTOM: 6 bat.

**NOTE:**

Quantities listed are for 5/6 bat.

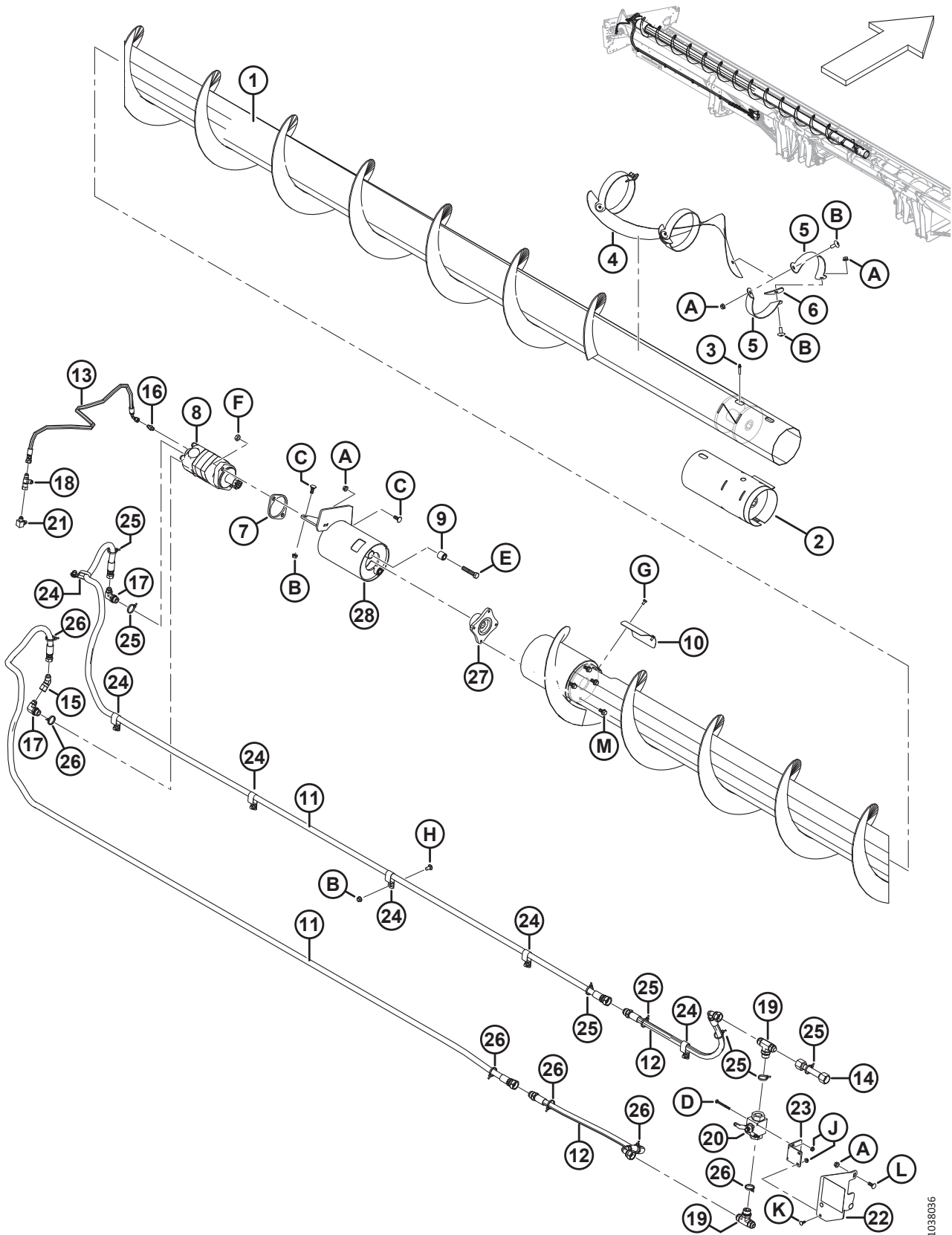
Ref	Part Number	Description	Qty 5/6 Bat	Serial Number
	B5825	KIT – D60/5, FD70/5 TINE TUBE REINFORCING (FOR 5 BAT REEL HEADERS IN HEAVY REEL LOAD CONDITIONS) <sup>241</sup>		
	B5826	KIT – D60/5, FD70/5 TINE TUBE REINFORCING (FOR 6 BAT REEL HEADERS IN HEAVY REEL LOAD CONDITIONS) <sup>241</sup>		
1	164988	SUPPORT – WELDT	5/6	
2	220939	BUSHING – TINE TUBE (BOX OF 25) <sup>242</sup>	10/12	
3	164993	CHANNEL – TIE BAR (5 BAT REEL)	5/0	
4	164995	CHANNEL – TIE BAR (6 BAT REEL)	0/6	
5	220941	CLAMP – TINE TUBE BUSHING, CENTER RIB (BOX OF 5) <sup>243</sup>	5/6	
A	135450	SCREW – MACHINE		
B	30228	NUT – FLANGE DT SMOOTH FACE 0.375-16 UNC		

241. Kits available through Whole Goods only.

242. Not sold individually; to service this part, a box of 25 tine tube bushings must be ordered.

243. Not sold individually; to service this part, a box of 5 tine tube bushing clamps must be ordered.

# 69 (Option) Upper Cross Auger – Left End, FD125, FD130, FD135, and FD140 (2021 and Prior)



1038036

**(OPTION) UPPER CROSS AUGER – LEFT END, FD125, FD130, FD135, AND FD140 (2021 AND PRIOR)**

Ref	Part Number	Description	Qty	Serial Number
1	326025	AUGER – LH WELDT 25 FT	1	
	294519	AUGER – UCA SP LH WELDT 30 FT	1	
	294517	AUGER – UCA SP LH WELDT 35 FT	1	
	294516	AUGER – UCA SP LH WELDT 40 FT	1	
2	294682	KIT – WELDT UCA REPAIR SLEEVE <sup>244</sup>	A/R	
3	30934	FITTING – 1/4-28 TAPER THD	1	
4	255881	FLIGHTING – LH CENTER	1	
5	294424	SUPPORT – LH	6	
6	255883	PLATE	3	
7	253446	PLATE – SPACER	1	
8	255829	MOTOR – UCA (130 CC) <sup>245</sup>	1	
	283002	MOTOR – EATON 2000 (100 CC) <sup>246</sup>	1	
	174304	SEAL KIT		
	137375	NUT – SLOTTED JAM 1.0-20 UNEF		
9	21810	BUSHING – RUBBER	2	
10	279261	COVER – UCA ACCESS	1	
11	326086	HOSE – HYDRAULIC (25 FT)	2	
	294221	HOSE – HYDRAULIC (30 FT)	2	
	294222	HOSE – HYDRAULIC (35 FT)	2	
	294223	HOSE – HYDRAULIC (40 FT)	2	
12	294226	HOSE – HYDRAULIC	2	
13	254248	HOSE – HYDRAULIC	1	
14	294007	LINE – HYDRAULIC	1	
15	135685	FITTING – ELBOW 45° HYD	1	
16	112184	FITTING – ADAPTER HYD (30–40 FT)	1	
17	21801	FITTING – ELBOW 90° HYD	2	
18	30873	FITTING – HYD TEE	1	
19	50050	FITTING – TEE HYD STR THD BRANCH TEE CW O-RING	2	
20	294263	VALVE – BALL	1	
21	50104	FITTING – ELBOW 90° HYD	1	
22	294814	BRACKET – BV MOUNT C/W DECAL <sup>247</sup>	1	
23	294009	BRACKET – HANGER, VALVE MOUNT	1	
24	103738	CLAMP – PVC INSULATED 13/16 IN. TUBE SIZE	7	
25	252795	FASTENER – CABLE TIE, PINK	7	
26	252794	FASTENER – CABLE TIE, PURPLE	6	
27	253722	HUB – UCA HC MOTOR	1	
28	296556	SUPPORT – ASSEMBLY <sup>248</sup>	1	

244. The kit is for 2021 and prior upper cross augers that use hex shafts at the center support; intended to repair damage to the auger. Welding is required.

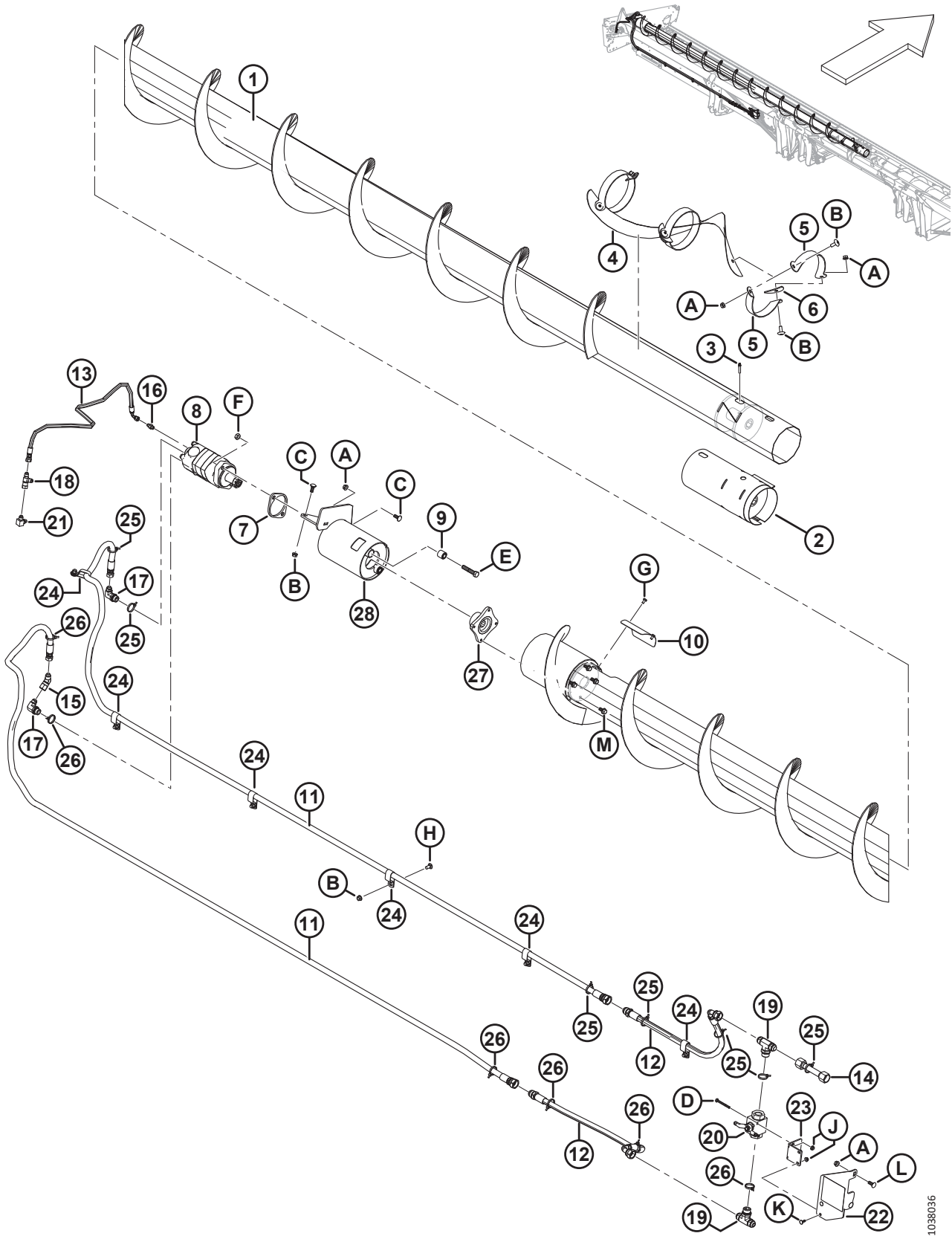
245. For use on all SP headers and combine headers not in the European market.

246. For use in European market with increased UCA speed.

247. Bracket includes decal (MD #294813), refer to Section [37 Decals and Reflectors, page 113](#).

248. Includes two bushings (MD #21810) and decal (MD #279085).

(OPTION) UPPER CROSS AUGER – LEFT END, FD125, FD130, FD135, AND FD140 (2021 AND PRIOR)

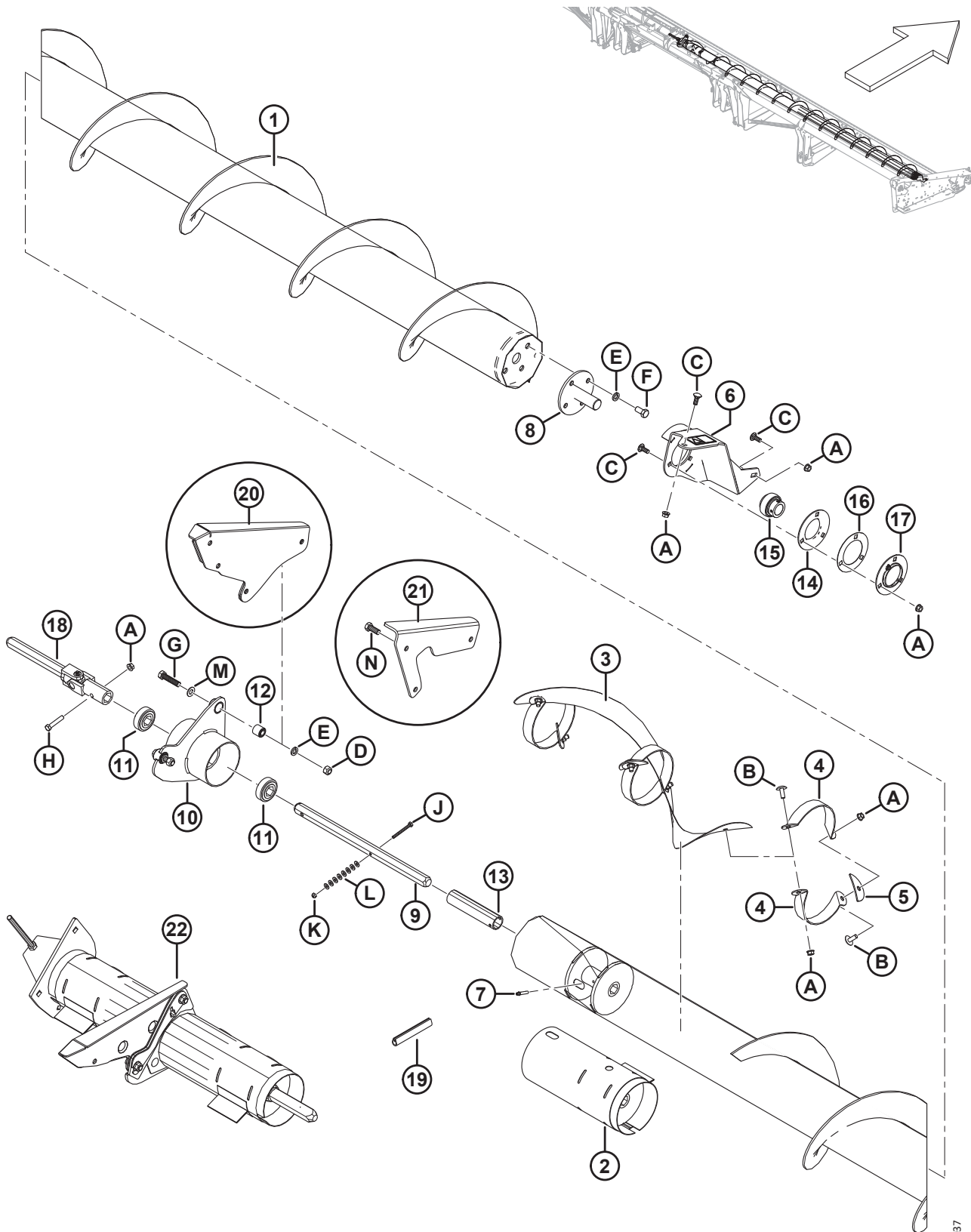


1038036

(OPTION) UPPER CROSS AUGER – LEFT END, FD125, FD130, FD135, AND FD140 (2021 AND PRIOR)

Ref	Part Number	Description	Qty	Serial Number
A	30228	NUT – FLANGE DT SMOOTH FACE 0.375-16 UNC		
B	135507	SCREW – MACHINE, TRUSS HD TORX, 3/8 NC X 1 LG		
C	19965	BOLT – RHSN 3/8-16 X 1-GR5-ZP		
D	21854	BOLT – HH 1/4 NC X 2.5 LG GR 5 ZP		
E	21760	BOLT – HH 1/2 NC X 2.5 LG GR 5 ZP		
F	137727	NUT – HEX JAM-DIST THD. 1/2-13 UNC GR 5 ZP		
G	21580	BOLT – HEX HD 1/4 NC X 0.5 LG GR 5 ZP		
H	21863	BOLT – RHSSN 3/8 NC X 0.75 LG GR 5 ZP		
J	135248	NUT – HEX FLG CTR LOC		
K	21476	BOLT – RHSN 1/4-20 X .75-GR5-ZP		
L	100456	BOLT – RHSSN 3/8 NC X 1.0 GR 5 ZP		
M	135963	BOLT – HH FLG (SM FACE) 3/8 NC X 0.75 GR 5 ZP		

# 70 (Option) Upper Cross Auger – Right End, FD125, FD130, FD135, and FD140 (2021 and Prior)



1038037

**(OPTION) UPPER CROSS AUGER – RIGHT END, FD125, FD130, FD135, AND FD140 (2021 AND PRIOR)**

Ref	Part Number	Description	Qty	Serial Number
1	326024	AUGER – UCA RH WELDT 25 FT	1	
	294436	AUGER – UCA RH WELDT 30 FT	1	
	294437	AUGER – UCA HC RH WELDT 35 FT	1	
	294438	AUGER – UCA HC RH WELDT 40 FT	1	
2	294682	KIT – WELDT UCA REPAIR SLEEVE <sup>249</sup>	A/R	
3	294928	FLIGHTING – RH CENTER	1	
4	294425	SUPPORT – RH	6	
5	255883	PLATE	3	
6	296554	SUPPORT – RH UCA ASSY	1	
7	30934	FITTING – 1/4-28 TAPER THD	1	
8	132303	SHAFT – END WELDT	1	
	294677	KIT – DISC, UNPAINTED <sup>250</sup>		
9	174081	SHAFT – HEX	1	
10	172511	SUPPORT – CENTER HANGER ASSY	1	
11	172507	BEARING – BALL HEX BORE	2	
12	21810	BUSHING – RUBBER	2	
13	174082	SPACER	1	
14	49306	FLANGE	1	
15	21859	BEARING – SPH OD EXT INNER RACE 1 3/16 BORE	1	
16	172340	SHIM	1	
17	30661	FLANGE	1	
18	233395	JOINT – UNIVERSAL	1	
19	45427	MOULDING – RH	1	
20	174035	SUPPORT – CENTER WELDT (30-35 FT ONLY) <sup>251</sup>	1	
21	326180	SUPPORT – CENTER UCA (25 FT ONLY) <sup>252</sup>	1	
22	335589	KIT – UCA CENTER SUPPORT REPAIR <sup>253</sup>	OPT	
A	30228	NUT – FLANGE DT SMOOTH FACE 0.375-16 UNC		
B	135507	SCREW – MACHINE, TRUSS HD TORX, 3/8 NC X 1 LG		
C	19965	BOLT – RHSN 3/8-16 X 1-GR5-ZP		
D	18697	NUT – HEX LOCK DT .500-13 UNC		
E	18638	WASHER – REG. LOCK 1/2 IN. NOM. ID ZP		
F	21575	BOLT – HH 1/2 NC X 1.0 LG GR 5 ZP		
G	21578	BOLT – HH 1/2 NC X 2.25 LG GR 5 ZP		

249. The kit is for 2021 and prior upper cross augers that use hex shafts at the center support; intended to repair damage to the auger. Welding is required.

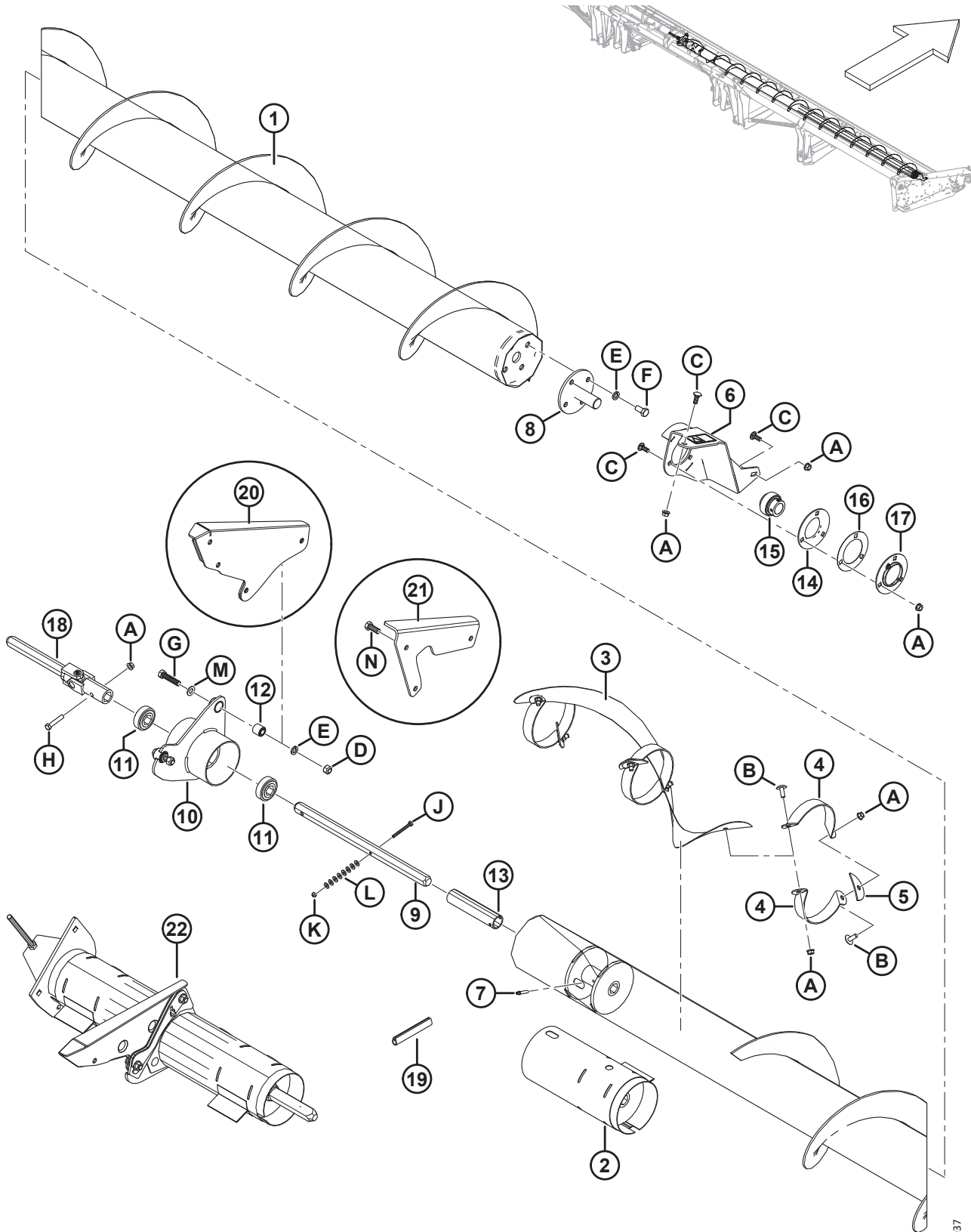
250. Repair part for shaft (MD #132303).

251. Support only required for 30–35 foot headers, 40-foot header has support (MD #172511) attached directly to the header frame.

252. Support only required for 25-foot headers, 40-foot header has support (MD #172511) attached directly to the header frame.

253. Kit is used to upgrade the center support assembly on 2-piece upper cross augers. Replaces U-joint (MD #233395), center support (MD #172511), bearings (MD #172507), hex shaft (MD 174081), spacer (MD #174082), and hardware. Includes two repair sleeve kits (MD #NSS). Refer to Section [73 \(Option\) Upper Cross Auger – Center Support Repair Kit, page 205](#).

(OPTION) UPPER CROSS AUGER – RIGHT END, FD125, FD130, FD135, AND FD140 (2021 AND PRIOR)



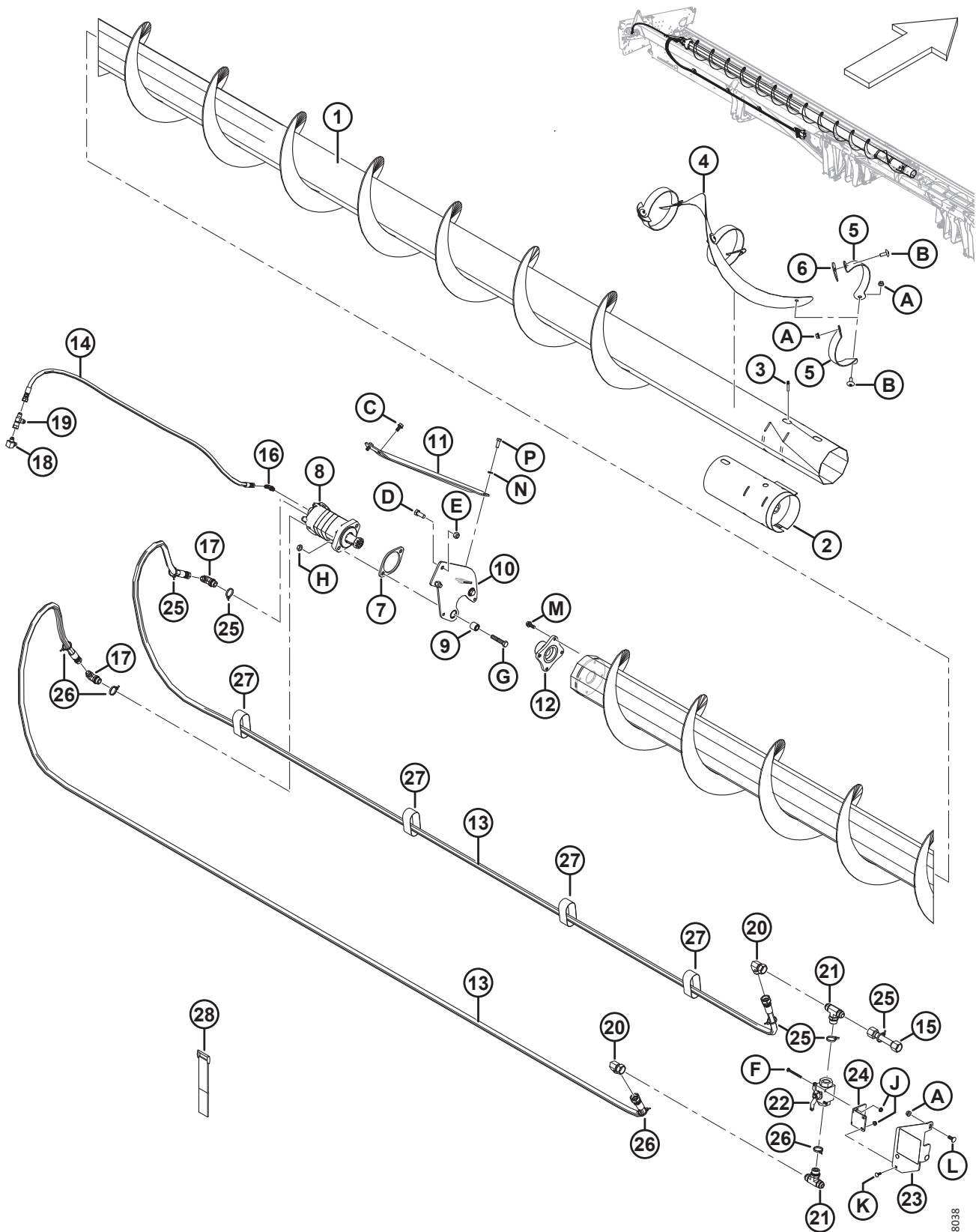
1038037



(OPTION) UPPER CROSS AUGER – RIGHT END, FD125, FD130, FD135, AND FD140 (2021 AND PRIOR)

Ref	Part Number	Description	Qty	Serial Number
H	21354	BOLT – HH 3/8 NC X 2.0 LG GR 5 ZP		
J	21854	BOLT – HH 1/4 NC X 2.5 LG GR 5 ZP		
K	18724	NUT – HEX LOCK DT 1/4-20 UNC ZP		
L	18596	WASHER – SAE FLAT 9/32 ID X 5/8 IN OD ZP		
M	184589	WASHER – FLAT 9/16 X 1.375 AA1J		
N	21491	BOLT – HEX HD 1/2-13 X 1.25 GR5-AA1J		

# 71 (Option) Upper Cross Auger – Left End, FD145 (2021 and Prior)



1038038

(OPTION) UPPER CROSS AUGER – LEFT END, FD145 (2021 AND PRIOR)

Ref	Part Number	Description	Qty	Serial Number
1	294515	AUGER – UCA LH WELDT 45 FT	1	
2	294682	KIT – WELDT UCA REPAIR SLEEVE <sup>254</sup>	A/R	
3	30934	FITTING – 1/4-28 TAPER THD	1	
4	255881	FLIGHTING – LH CENTER	1	
5	294424	SUPPORT – LH	6	
6	255883	PLATE	3	
7	253446	PLATE – SPACER	1	
8	255829	MOTOR – UCA (130 CC) <sup>255</sup>	1	
	283002	MOTOR – EATON 2000 (100 CC) <sup>256</sup>	1	
	174304	SEAL KIT		
	137375	NUT – SLOTTED JAM 1.0-20 UNEF		
9	21810	BUSHING – RUBBER	2	
10	174168	SUPPORT – LH HANGER ASSY	1	
11	279925	BRACE – LH	1	
12	279775	HUB – MACHINING	1	
13	294224	HOSE – HYDRAULIC	2	
14	294225	HOSE – HYDRAULIC	1	
15	294007	LINE – HYDRAULIC	1	
16	135647	FITTING – ELBOW 90° HYD	1	
17	21801	FITTING – ELBOW 90° HYD	2	
18	50104	FITTING – ELBOW 90° HYD	1	
19	30873	FITTING – HYD TEE	1	
20	50175	FITTING – ELBOW 90° HYD	2	
21	50050	FITTING – TEE HYD STR THD BRANCH TEE C/W O-RING	2	
22	294263	VALVE – BALL	1	
23	294814	BRACKET – BV MOUNT C/W DECAL <sup>257</sup>	1	
24	294009	BRACKET – HANGER, VALVE MOUNT	1	
25	252795	FASTENER – CABLE TIE, PINK	5	
26	252794	FASTENER – CABLE TIE, PURPLE	4	
27	135444	CINCH STRAP 6 IN. LG	4	
28	135443	CINCH STRAP 4 IN. LG	3	
A	30228	NUT – FLANGE DT SMOOTH FACE 0.375-16 UNC		
B	135507	SCREW – MACHINE, TRUSS HD TORX, 3/8 NC X 1LG		
C	101897	SCREW – HEX WASH HD THD ROLLING 3/8 NC X 3/4		
D	21491	BOLT – HH 1/2 NC X 1.25 LG GR 5 ZP		
E	18697	NUT – HEX LOCK DT .500-13 UNC		
F	21854	BOLT – HH 1/4 NC X 2.5 LG GR 5 ZP		
G	21760	BOLT – HH 1/2 NC X 2.5 LG GR 5 ZP		

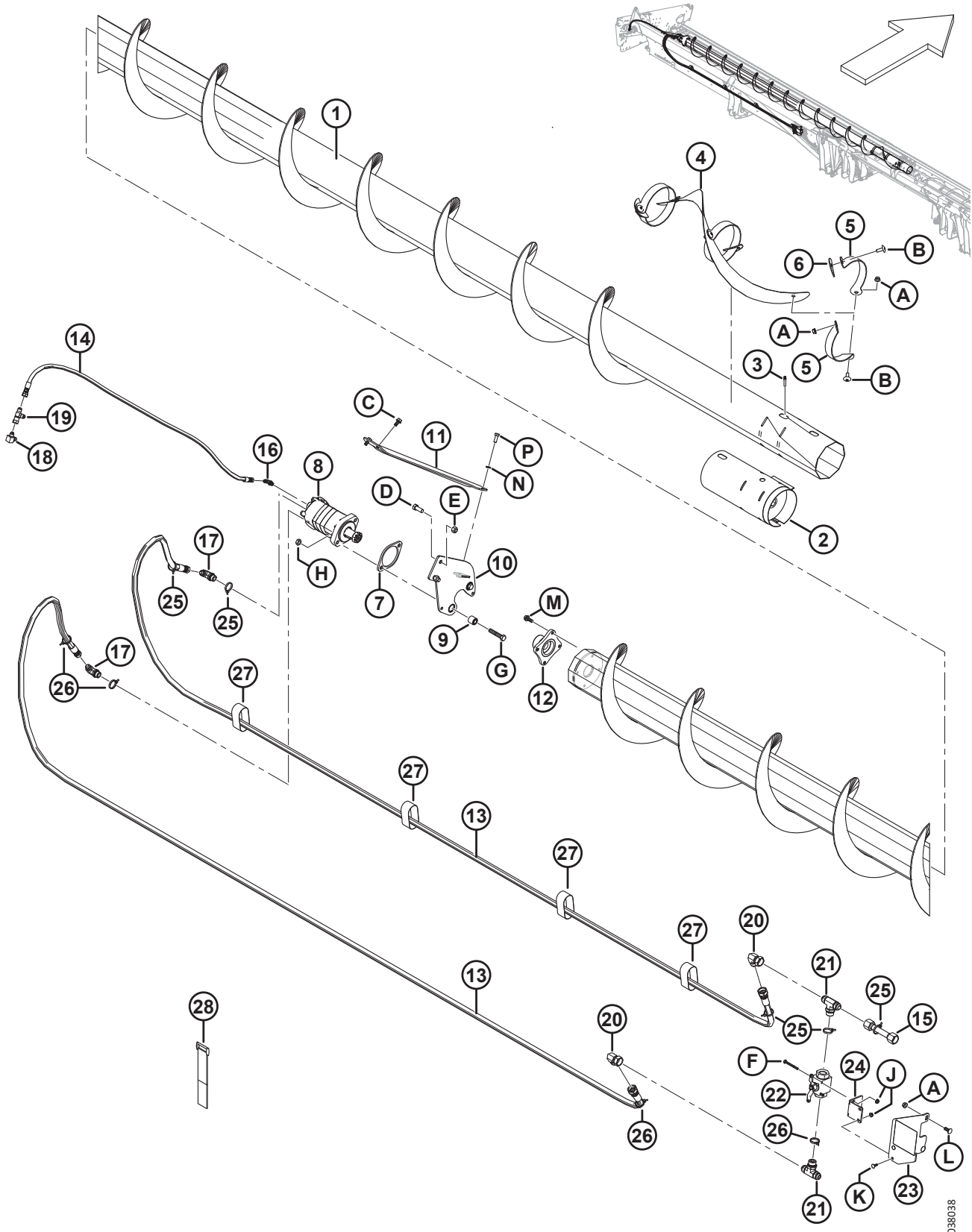
254. The kit is for 2021 and prior upper cross augers that use hex shafts at the center support; intended to repair damage to the auger. Welding is required.

255. For use on all SP headers and combine headers not in the European market.

256. For use in European market with increased UCA speed.

257. Bracket includes decal (MD #294813), refer to Section [37 Decals and Reflectors, page 113](#).

(OPTION) UPPER CROSS AUGER – LEFT END, FD145 (2021 AND PRIOR)

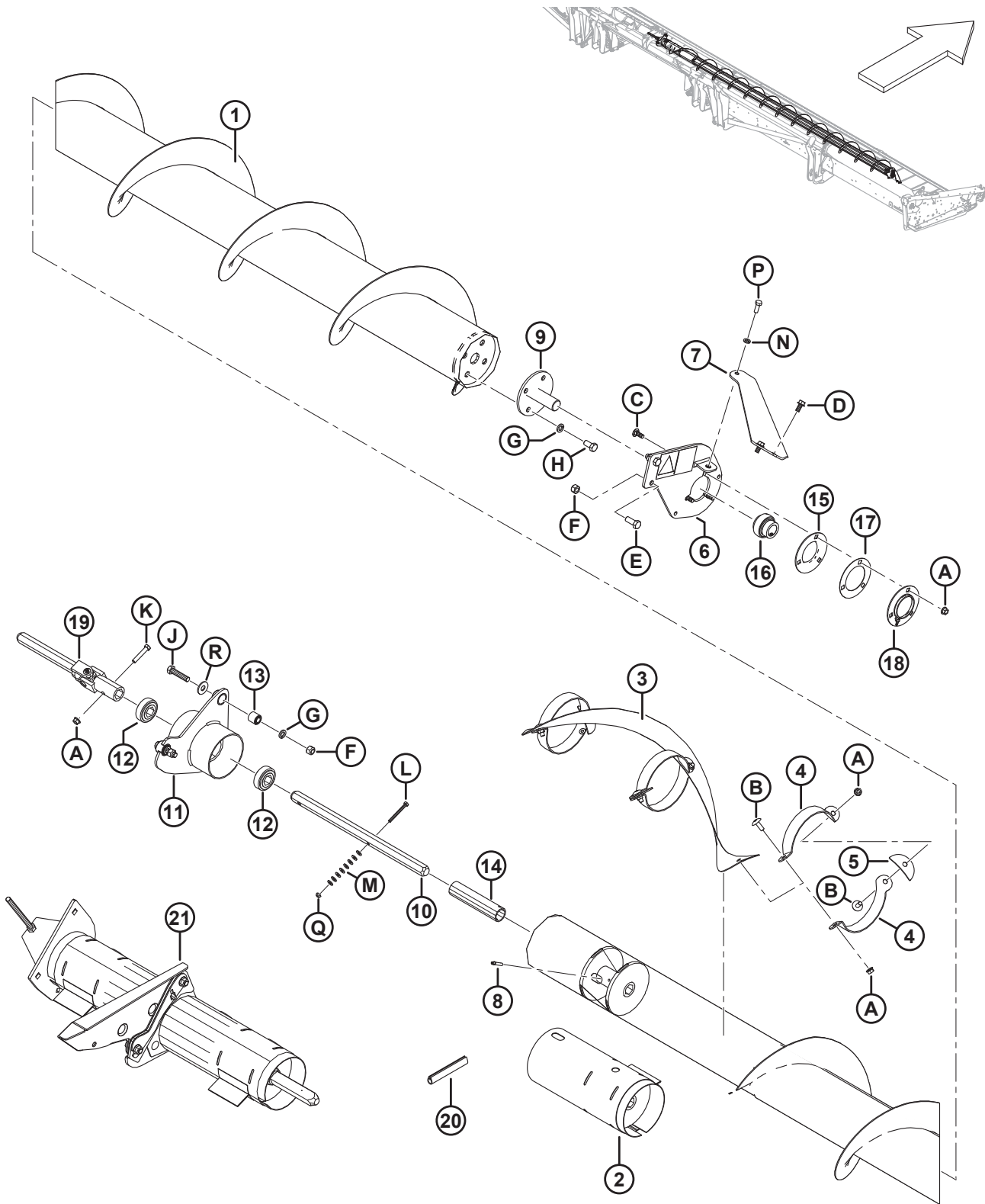


1038038

(OPTION) UPPER CROSS AUGER – LEFT END, FD145 (2021 AND PRIOR)

Ref	Part Number	Description	Qty	Serial Number
H	137727	NUT – HEX JAM-DIST THD. 1/2-13 UNC GR 5 ZP		
J	135248	NUT – HEX FLG CTR LOC		
K	21476	BOLT – RHSN 1/4-20 X .75-GR5-ZP		
L	100456	BOLT – RHSSN 3/8 NC X 1.0 GR 5 ZP		
M	135193	SCREW – HEX WASH HD THD ROLLING 3/8 NC X 1.0		
N	18637	WASHER – REG. LOCK 3/8 IN. NOM. ID ZP		
P	20077	BOLT – HEX HD 3/8 NC X 1.0 LG GR 5 ZP		

# 72 (Option) Upper Cross Auger – Right End, FD145 (2021 and Prior)



1038039

(OPTION) UPPER CROSS AUGER – RIGHT END, FD145 (2021 AND PRIOR)

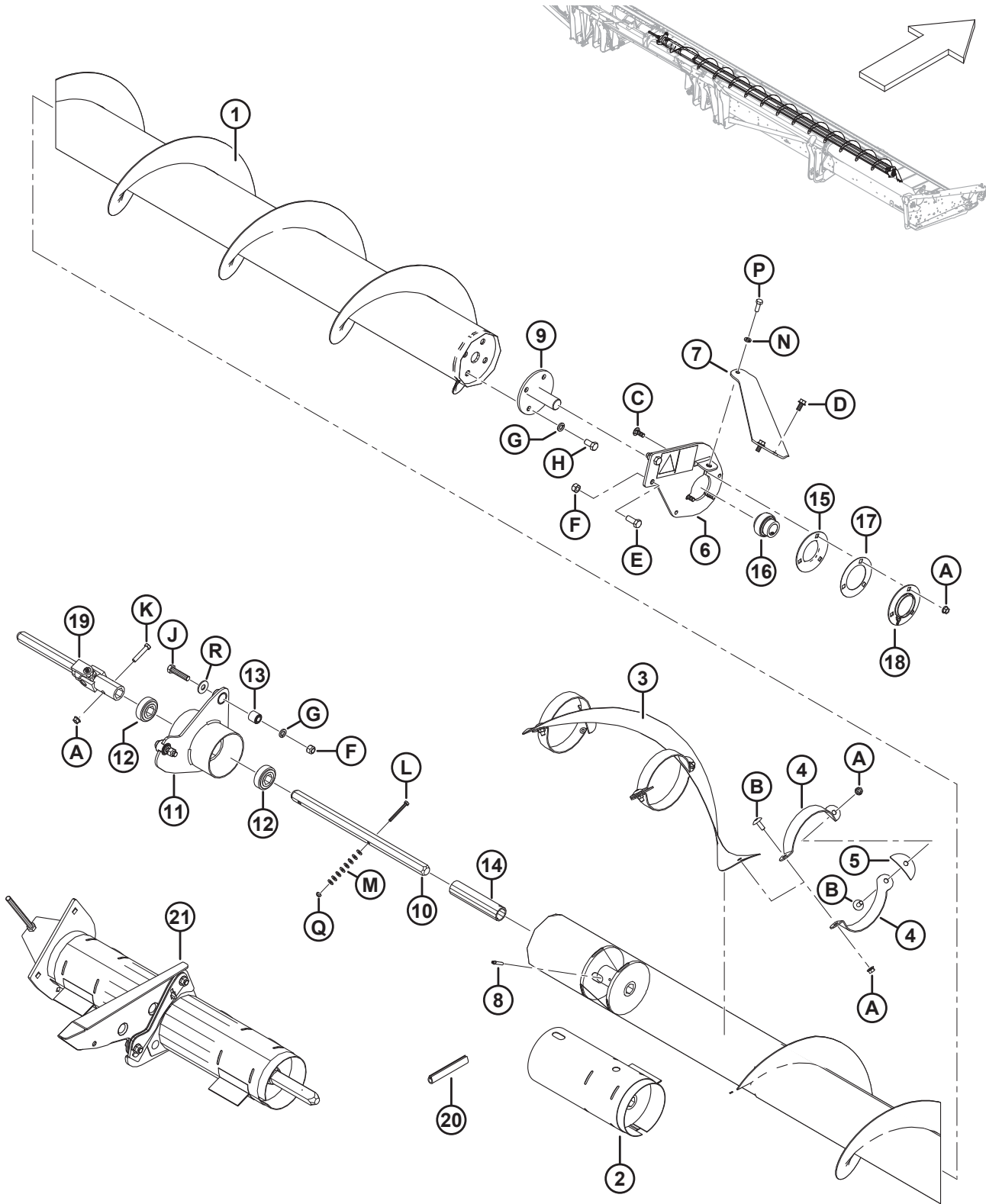
Ref	Part Number	Description	Qty	Serial Number
1	294518	AUGER – UCA RH WELDT 45 FT	1	
2	294682	KIT – WELDT UCA REPAIR SLEEVE <sup>258</sup>	A/R	
3	294928	FLIGHTING – RH CENTER	1	
4	294425	SUPPORT – RH	6	
5	255883	PLATE	3	
6	174176	SUPPORT RH – DECAL ASSY	1	
7	279926	BRACE – RH	1	
8	30934	FITTING – 1/4-28 TAPER THD	1	
9	132303	SHAFT – END WELDT	1	
	294677	KIT – DISC, UNPAINTED <sup>259</sup>		
10	174081	SHAFT – HEX	1	
11	172511	SUPPORT – CENTER HANGER ASSY	1	
12	172507	BEARING – BALL HEX BORE	2	
13	21810	BUSHING – RUBBER	2	
14	174082	SPACER	1	
15	49306	FLANGE	1	
16	21859	BEARING – SPH OD EXT INNER RACE 1 3/16 BORE	1	
17	172340	SHIM	1	
18	30661	FLANGE	1	
19	233395	JOINT – UNIVERSAL	1	
20	45427	MOULDING-RH	1	
21	335589	KIT – UCA CENTER SUPPORT REPAIR <sup>260</sup>	OPT	
A	30228	NUT – FLANGE DT SMOOTH FACE 0.375-16 UNC		
B	135507	SCREW – MACHINE, TRUSS HD TORX, 38NC X 1LG		
C	19965	BOLT – RHSN 3/8-16 X 1-GR5-ZP		
D	101897	SCREW – HEX WASH HD THD ROLLING 3/8 NC X 3/4		
E	21491	BOLT – HH 1/2 NC X 1.25 LG GR 5 ZP		
F	18697	NUT – HEX LOCK DT .500-13UNC		
G	18638	WASHER – REG. LOCK 1/2 IN. NOM. ID ZP		
H	21575	BOLT – HH 1/2 NC X 1.0 LG GR 5 ZP		
J	21578	BOLT – HH 1/2 NC X 2.25 LG GR 5 ZP		
K	21354	BOLT – HH 3/8 NC X 2.0 LG GR 5 ZP		
L	21854	BOLT – HH 1/4 NC X 2.5 LG GR 5 ZP		
M	18596	WASHER – SAE FLAT 9/32 ID X 5/8 IN OD ZP		
N	18637	WASHER – REG. LOCK 3/8 IN. NOM. ID ZP		
P	20077	BOLT – HEX HD 3/8 NC X 1.0 LG GR 5 ZP		

258. The kit is for 2021 and prior upper cross augers that use hex shafts at the center support; intended to repair damage to the auger. Welding is required.

259. Repair part for shaft (MD #132303).

260. Kit is used to upgrade the center support assembly on 2-piece upper cross augers. Replaces U-joint (MD #233395), center support (MD #172511), bearings (MD #172507), hex shaft (MD 174081), spacer (MD #174082), and hardware. Includes two repair sleeve kits (MD #NSS). Refer to Section [73 \(Option\) Upper Cross Auger – Center Support Repair Kit, page 205](#).

(OPTION) UPPER CROSS AUGER – RIGHT END, FD145 (2021 AND PRIOR)



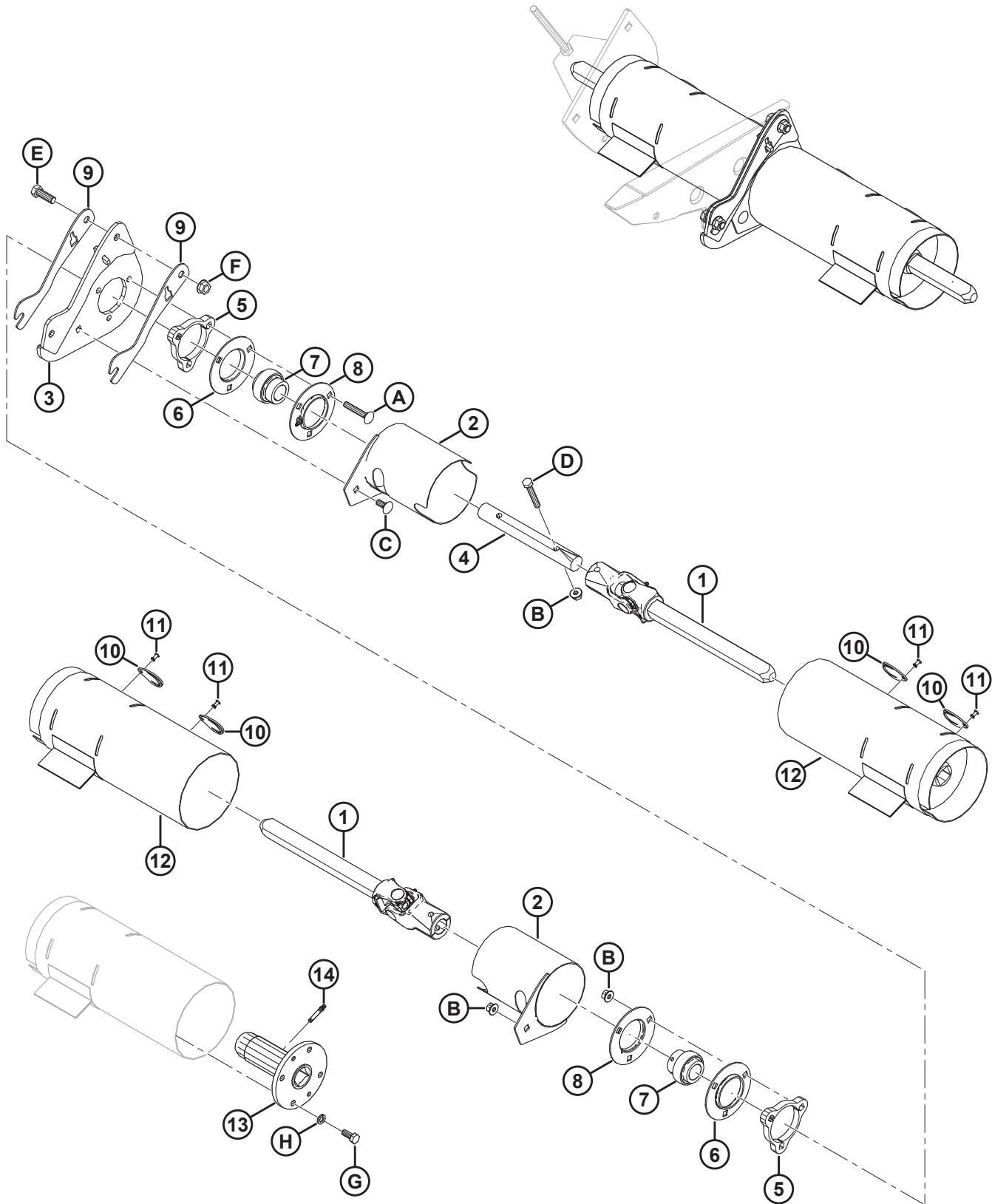
1038039



(OPTION) UPPER CROSS AUGER – RIGHT END, FD145 (2021 AND PRIOR)

Ref	Part Number	Description	Qty	Serial Number
Q	18724	NUT – HEX LOCK DT 1/4-20 UNC ZP		
R	184589	WASHER – FLAT 9/16 X 1.375 AA1J		

# 73 (Option) Upper Cross Auger – Center Support Repair Kit



1038176

**(OPTION) UPPER CROSS AUGER – CENTER SUPPORT REPAIR KIT**

**NOTE:**

The UCA Center Support Repair kit (MD #335589) is used to upgrade upper cross augers that currently have center support assembly (MD #172511) and hex shafts installed. The new center support assembly included in this kit uses square shafts, which will improve shaft and hub life.

Ref	Part Number	Description	Qty	Serial Number
	335589	KIT – UCA CENTER SUPPORT REPAIR <sup>261</sup>		
1	233513	JOINT – UNIVERSAL	2	
2	233371	GUARD – WELDT	2	
3	335615	SUPPORT – BEARING MOUNT WELDT	1	
4	233519	SHAFT	1	
5	233450	PLATE – SPACER	2	
6	49306	FLANGE	2	
7	21859	BEARING – SPH OD EXT INNER RACE 1 3/16 BORE	2	
8	30661	FLANGE	2	
9	335625	SHIM – UCA CENTER SUPPORT	2	
10	233625	COVER	4	
11	18768	RIVET – BLIND Ø0.188 IN. X 0.251 TO 0.375 GRIP RANGE	4	
12	NSS	KIT – UCA REPAIR SLEEVE <sup>262</sup>	2	
13	233514	HUB – WELDT UCA SLIDING	2	
14	30934	FITTING – 1/4 28 TAPER THD	2	
	335622	SUPPORT – SR CENTER WELDT (NOT ILLUSTRATED) <sup>263</sup>		
	335610	SUPPORT – CENTER UCA (NOT ILLUSTRATED) <sup>264</sup>		
A	136113	BOLT – RHSN M10 X 1.5 X 60-8.8-AA1J		
B	135799	NUT – HEX FLG CTR LOC M10 X 1.5-10		
C	135785	BOLT – RHSN M10 X 1.5 X 25-8.8-AA1J		
D	108172	BOLT – HEX HD M10 X 1.5 X 65-8.8-AA1J		
E	18723	BOLT – HEX HD 1/2-13 X 1.5 GR5-AA1J		
F	50186	NUT – FLG LK DT 1/2-13 UNC GR5 AA1J		
G	30627	BOLT – HEX HD TFL M10 X 1.5 X 25-8.8-A3L		
H	30632	WASHER – LOCK SPRING M10		

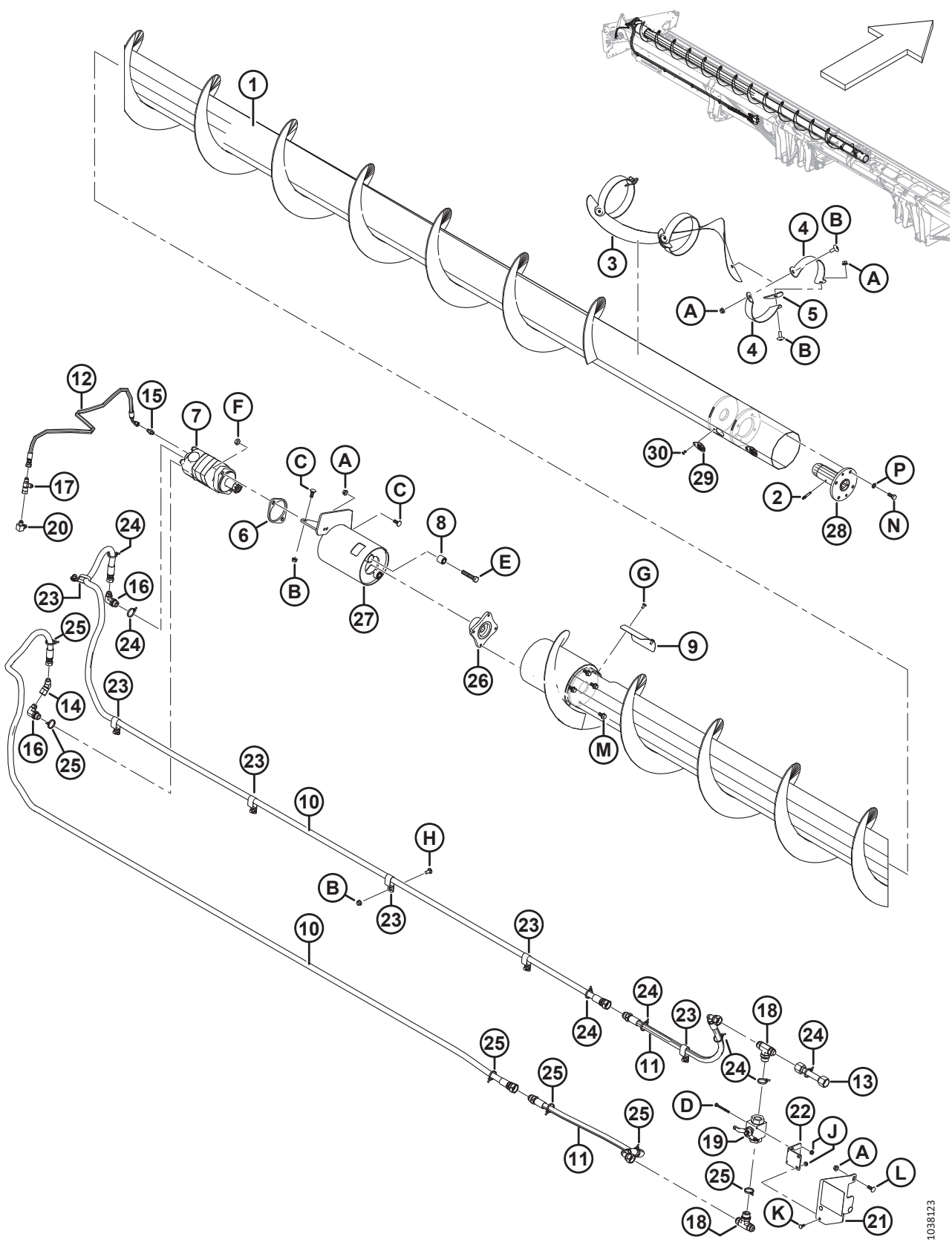
261. The kit includes all listed parts.

262. Includes repair sleeve (MD #NSS), sliding hub (MD #233514), grease fitting (MD #30934), four bolts (MD #30627), and four lock washers (MD #30632).

263. Included in the kit but is not used on FD1 headers; used on D65 and D1 single reel headers only.

264. Included in the kit but is not used on FD1 headers; used on 972, 973, and 974 headers only.

# 74 (Option) Upper Cross Auger – Left End, FD125, FD130, FD135, and FD140 (2022)



1038123

**(OPTION) UPPER CROSS AUGER – LEFT END, FD125, FD130, FD135, AND FD140 (2022)**

Ref	Part Number	Description	Qty	Serial Number
	B9012	KIT – 1 SERIES 25 FT UCA (NORTH AMERICA) <sup>265</sup>		
	B9011	KIT – 1 SERIES 30 FT UCA (NORTH AMERICA) <sup>265</sup>		
	B9010	KIT – 1 SERIES 35 FT UCA (NORTH AMERICA) <sup>265</sup>		
	B9009	KIT – 1 SERIES 40 FT UCA (NORTH AMERICA) <sup>265</sup>		
	B9044	KIT – 1 SERIES COMBINE 25 FT UCA (EUROPE) <sup>265</sup>		
	B9045	KIT – 1 SERIES COMBINE 30 FT UCA (EUROPE) <sup>265</sup>		
	B9046	KIT – 1 SERIES COMBINE 35 FT UCA (EUROPE) <sup>265</sup>		
	B9047	KIT – 1 SERIES COMBINE 40 FT UCA (EUROPE) <sup>265</sup>		
1	335708	AUGER – LH WELDT 25 FT	1	
	335336	AUGER – UCA SP LH WELDT 30 FT	1	
	335707	AUGER – UCA SP LH WELDT 35 FT	1	
	335478	AUGER – UCA SP LH WELDT 40 FT	1	
2	30934	FITTING – 1/4-28 TAPER THD	1	
3	335719	FLIGHTING – LH CENTER	1	
4	294424	SUPPORT – LH	6	
5	255883	PLATE	3	
6	253446	PLATE – SPACER	1	
7	255829	MOTOR – UCA (130 CC) <sup>266</sup>	1	
	283002	MOTOR – EATON 2000 (100 CC) <sup>267</sup>	1	
	174304	SEAL KIT		
	137375	NUT – SLOTTED JAM 1.0-20 UNEF		
8	21810	BUSHING – RUBBER	2	
9	279261	COVER – UCA ACCESS	1	
10	326086	HOSE – HYDRAULIC (25 FT)	2	
	294221	HOSE – HYDRAULIC (30 FT)	2	
	294222	HOSE – HYDRAULIC (35 FT)	2	
	294223	HOSE – HYDRAULIC (40 FT)	2	
11	294226	HOSE – HYDRAULIC	2	
12	254248	HOSE – HYDRAULIC	1	
13	294007	LINE – HYDRAULIC	1	
14	135685	FITTING – ELBOW 45° HYD	1	
15	112184	FITTING – ADAPTER HYD (30–40 FT)	1	
16	21801	FITTING – ELBOW 90° HYD	2	
17	30873	FITTING – HYD TEE	1	
18	50050	FITTING – TEE HYD STR THD BRANCH TEE CW O-RING	2	
19	294263	VALVE – BALL	1	
20	50104	FITTING – ELBOW 90° HYD	1	
21	294814	BRACKET – BV MOUNT C/W DECAL <sup>268</sup>	1	

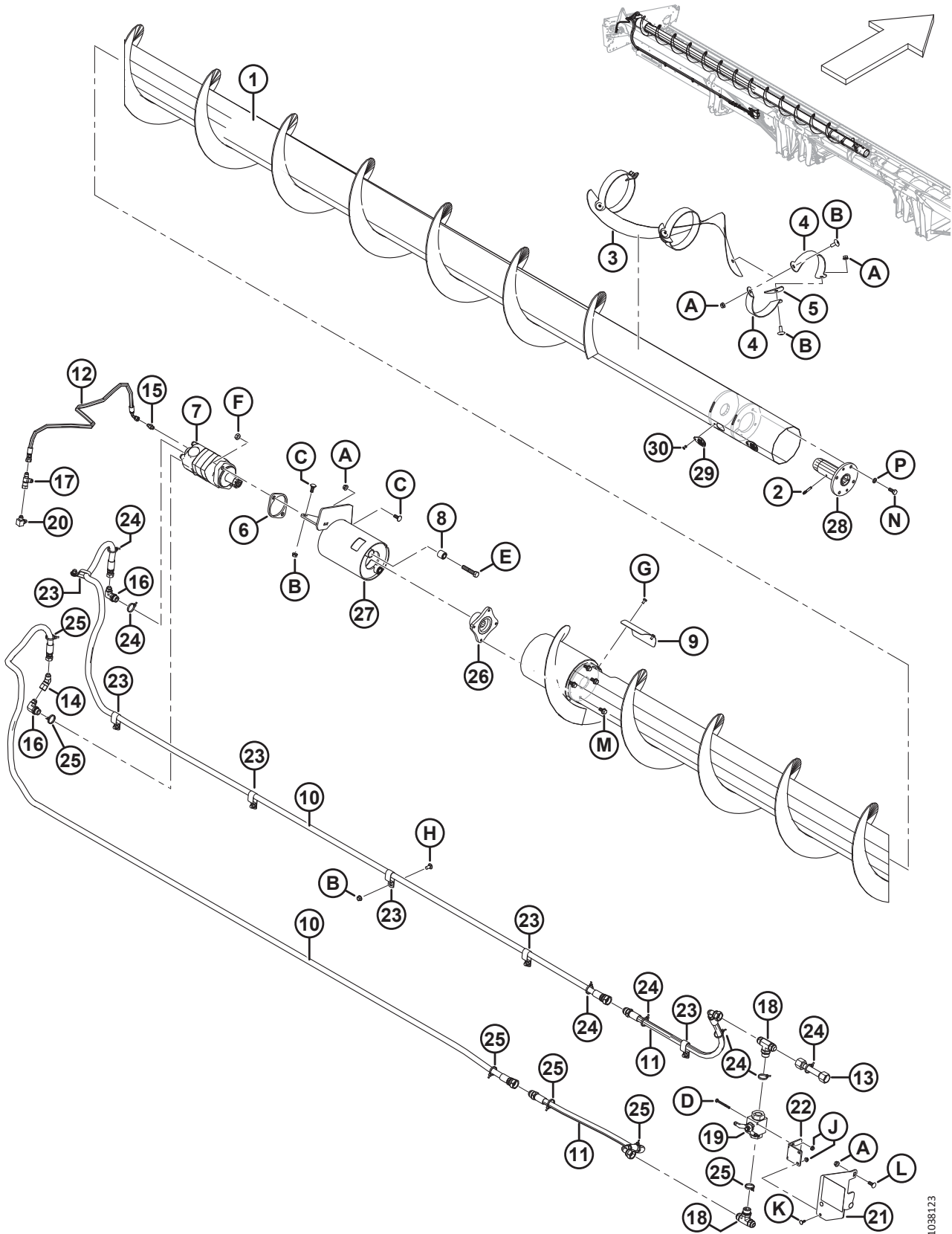
265. Kits available through Whole Goods only.

266. For use on all SP headers and combine headers not in the European market.

267. For use in European market with increased UCA speed.

268. Bracket includes decal (MD #294813), refer to Section [37 Decals and Reflectors](#), page 113.

(OPTION) UPPER CROSS AUGER – LEFT END, FD125, FD130, FD135, AND FD140 (2022)



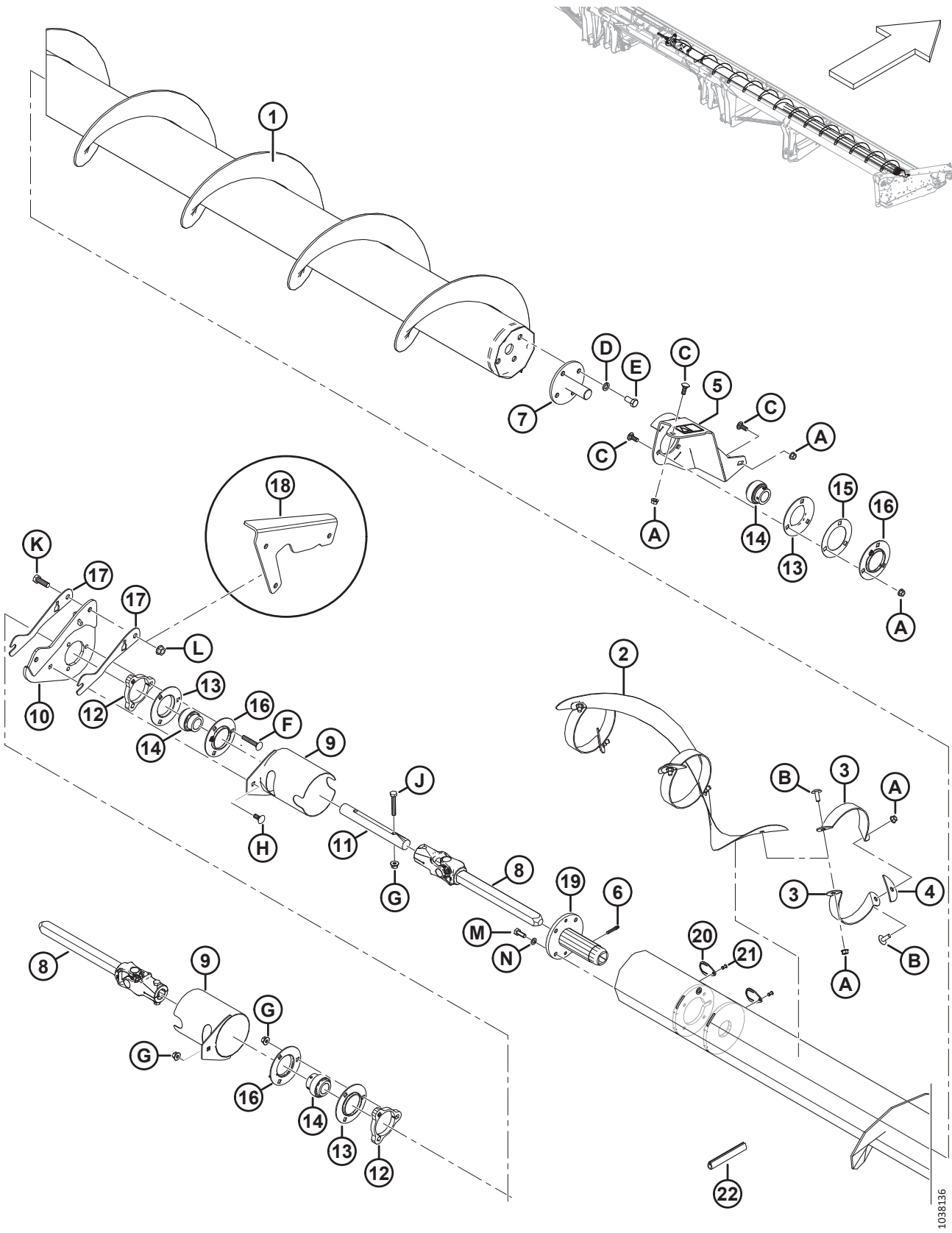
1038123

(OPTION) UPPER CROSS AUGER – LEFT END, FD125, FD130, FD135, AND FD140 (2022)

Ref	Part Number	Description	Qty	Serial Number
22	294009	BRACKET – HANGER, VALVE MOUNT	1	
23	103738	CLAMP – PVC INSULATED 13/16 IN. TUBE SIZE	7	
24	252795	FASTENER – CABLE TIE, PINK	7	
25	252794	FASTENER – CABLE TIE, PURPLE	6	
26	253722	HUB – UCA HC MOTOR	1	
27	296556	SUPPORT – ASSEMBLY <sup>269</sup>	1	
28	233514	HUB – WELDT UCA SLIDING	1	
29	233625	COVER	2	
30	18768	RIVET – BLIND Ø0.188 IN. X 0.251 TO 0.375 GRIP RANGE	2	
A	30228	NUT – FLANGE DT SMOOTH FACE 0.375-16 UNC		
B	135507	SCREW – MACHINE, TRUSS HD TORX, 3/8 NC X 1 LG		
C	19965	BOLT – RHSN 3/8-16 X 1-GR5-ZP		
D	21854	BOLT – HH 1/4 NC X 2.5 LG GR 5 ZP		
E	21760	BOLT – HH 1/2 NC X 2.5 LG GR 5 ZP		
F	137727	NUT – HEX JAM-DIST THD. 1/2-13 UNC GR 5 ZP		
G	21580	BOLT – HEX HD 1/4 NC X 0.5 LG GR 5 ZP		
H	21863	BOLT – RHSSN 3/8 NC X 0.75 LG GR 5 ZP		
J	135248	NUT – HEX FLG CTR LOC		
K	21476	BOLT – RHSN 1/4-20 X .75-GR5-ZP		
L	100456	BOLT – RHSSN 3/8 NC X 1.0 GR 5 ZP		
M	135963	BOLT – HH FLG (SM FACE) 3/8 NC X 0.75 GR 5 ZP		
N	30627	BOLT – HEX HD TFL M10 X 1.5 X 25-8.8-A3L		
P	30632	WASHER – LOCK SPRING M10		

269. Includes two bushings (MD #21810) and decal (MD #279085).

# 75 (Option) Upper Cross Auger – Right End, FD125, FD130, FD135, and FD140 (2022)



1038136



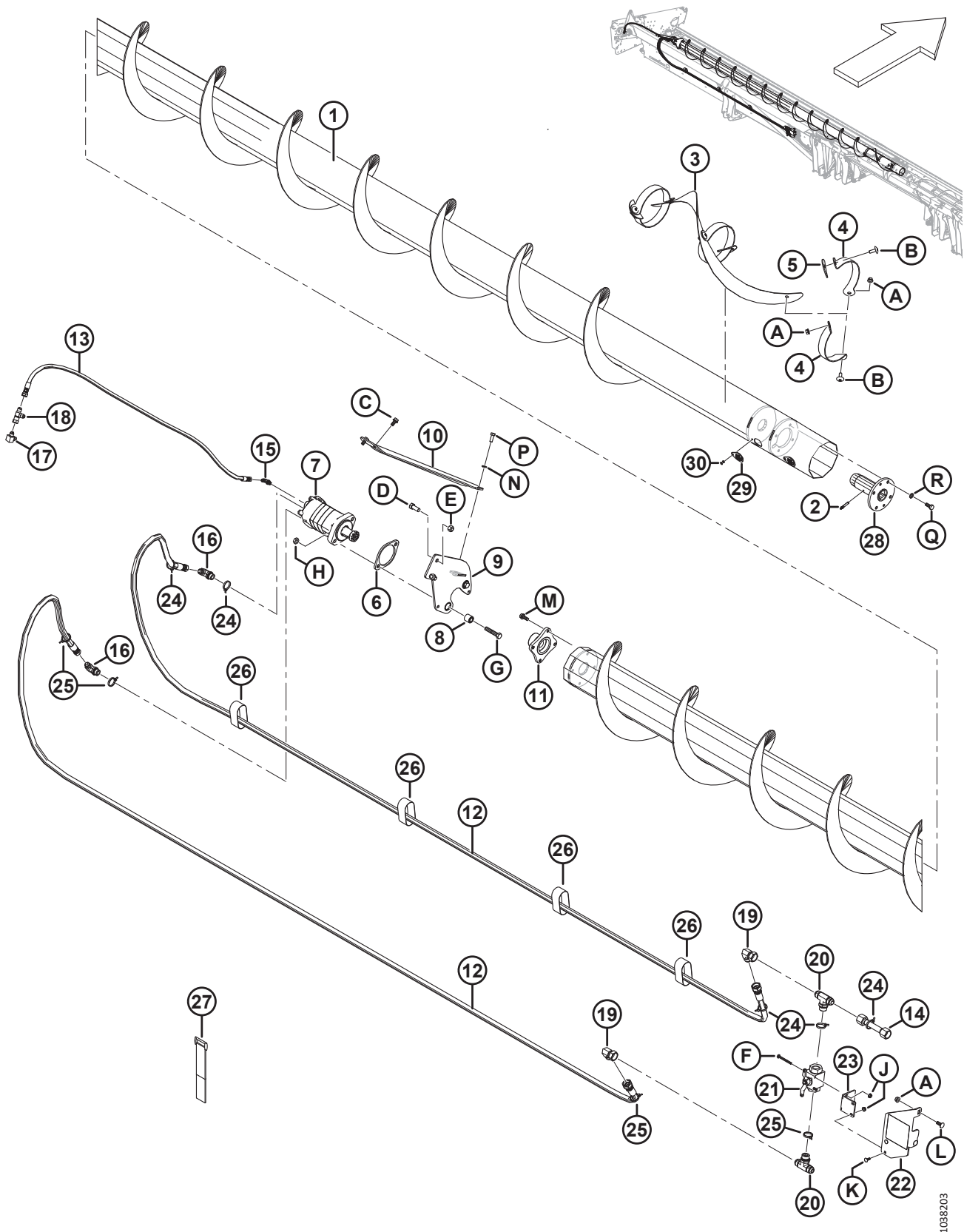
**(OPTION) UPPER CROSS AUGER – RIGHT END, FD125, FD130, FD135, AND FD140 (2022)**

Ref	Part Number	Description	Qty	Serial Number
1	335687	AUGER – UCA RH WELDT 25 FT	1	
	335337	AUGER – UCA RH WELDT 30 FT	1	
	335686	AUGER – UCA HC RH WELDT 35 FT	1	
	335480	AUGER – UCA HC RH WELDT 40 FT	1	
2	335592	FLIGHTING – RH CENTER	1	
3	294425	SUPPORT – RH	6	
4	255883	PLATE	3	
5	296554	SUPPORT – RH UCA ASSY <sup>270</sup>	1	
6	30934	FITTING – 1/4-28 TAPER THD	1	
7	132303	SHAFT – END WELDT	1	
	294677	KIT – DISC, UNPAINTED <sup>271</sup>		
8	233513	JOINT – UNIVERSAL	2	
9	233371	GUARD – WELDT	2	
10	335615	SUPPORT – BEARING MOUNT WELDT	1	
11	233519	SHAFT	1	
12	233450	PLATE – SPACER	2	
13	49306	FLANGE	3	
14	21859	BEARING – SPH OD EXT INNER RACE 1 3/16 BORE	3	
15	172340	SHIM	1	
16	30661	FLANGE	3	
17	335625	SHIM – UCA CENTER SUPPORT	2	
18	335635	SUPPORT – CENTER UCA (25 FT ONLY)	1	
19	233514	HUB – WELDT UCA SLIDING	1	
20	233625	COVER	2	
21	18768	RIVET – BLIND Ø0.188 IN. X 0.251 TO 0.375 GRIP RANGE	2	
22	45427	MOULDING – RH	1	
A	30228	NUT – FLANGE DT SMOOTH FACE 0.375-16 UNC		
B	135507	SCREW – MACHINE, TRUSS HD TORX, 3/8 NC X 1 LG		
C	19965	BOLT – RHSN 3/8-16 X 1-GR5-ZP		
D	18638	WASHER – REG. LOCK 1/2 IN. NOM. ID ZP		
E	21575	BOLT – HH 1/2 NC X 1.0 LG GR 5 ZP		
F	136113	BOLT – RHSN M10 X 1.5 X 60-8.8-AA1J		
G	135799	NUT – HEX FLG CTR LOC M10 X 1.5-10		
H	135785	BOLT – RHSN M10 X 1.5 X 25-8.8-AA1J		
J	108172	BOLT – HEX HD M10 X 1.5 X 65-8.8-AA1J		
K	18723	BOLT – HEX HD 1/2-13 X 1.5 GR5-AA1J		
L	50186	NUT – FLG LK DT 1/2-13 UNC GR5 AA1J		
M	30627	BOLT – HEX HD TFL M10 X 1.5 X 25-8.8-A3L		
N	30632	WASHER – LOCK SPRING M10		

270. Includes warning decal (MD #279085).

271. Repair part for shaft (MD #132303).

# 76 (Option) Upper Cross Auger – Left End, FD145 (2022)



1038203

**(OPTION) UPPER CROSS AUGER – LEFT END, FD145 (2022)**

Ref	Part Number	Description	Qty	Serial Number
	B9049	KIT – 1 SERIES 45 FT UCA (NORTH AMERICA) <sup>272</sup>		
	B9050	KIT – 1 SERIES 45 FT UCA (EUROPE) <sup>272</sup>		
1	335600	AUGER – UCA LH WELDT 45 FT	1	
2	30934	FITTING – 1/4-28 TAPER THD	1	
3	335719	FLIGHTING – LH CENTER	1	
4	294424	SUPPORT – LH	6	
5	255883	PLATE	3	
6	253446	PLATE – SPACER	1	
7	255829	MOTOR – UCA (130 CC) <sup>273</sup>	1	
	283002	MOTOR – EATON 2000 (100 CC) <sup>274</sup>	1	
	174304	SEAL KIT		
	137375	NUT – SLOTTED JAM 1.0-20 UNEF		
8	21810	BUSHING – RUBBER	2	
9	174168	SUPPORT – LH HANGER ASSY	1	
10	279925	BRACE – LH	1	
11	279775	HUB – MACHINING	1	
12	294224	HOSE – HYDRAULIC	2	
13	294225	HOSE – HYDRAULIC	1	
14	294007	LINE – HYDRAULIC	1	
15	135647	FITTING – ELBOW 90° HYD	1	
16	21801	FITTING – ELBOW 90° HYD	2	
17	50104	FITTING – ELBOW 90° HYD	1	
18	30873	FITTING – HYD TEE	1	
19	50175	FITTING – ELBOW 90° HYD	2	
20	50050	FITTING – TEE HYD STR THD BRANCH TEE C/W O-RING	2	
21	294263	VALVE – BALL	1	
22	294814	BRACKET – BV MOUNT C/W DECAL <sup>275</sup>	1	
23	294009	BRACKET – HANGER, VALVE MOUNT	1	
24	252795	FASTENER – CABLE TIE, PINK	5	
25	252794	FASTENER – CABLE TIE, PURPLE	4	
26	135444	CINCH STRAP 6 IN. LG	4	
27	135443	CINCH STRAP 4 IN. LG	3	
28	233514	HUB – WELDT UCA SLIDING	1	
29	233625	COVER	2	
30	18768	RIVET – BLIND Ø0.188 IN. X 0.251 TO 0.375 GRIP RANGE	2	
A	30228	NUT – FLANGE DT SMOOTH FACE 0.375-16 UNC		
B	135507	SCREW – MACHINE, TRUSS HD TORX, 38NC X 1LG		
C	101897	SCREW – HEX WASH HD THD ROLLING 3/8 NC X 3/4		

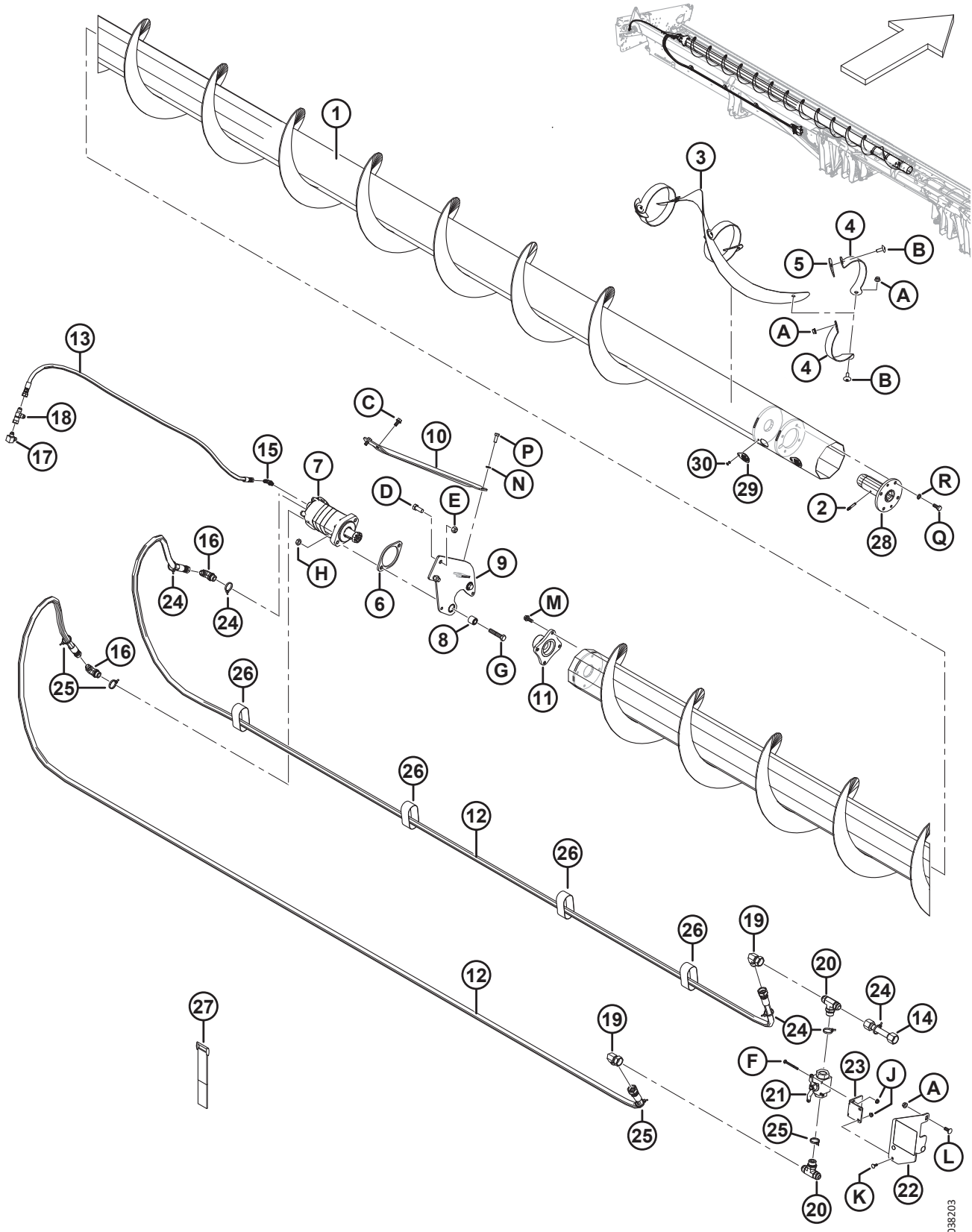
272. Kits available through Whole Goods only.

273. For use on all SP headers and combine headers not in the European market.

274. For use in European market with increased UCA speed.

275. Bracket includes decal (MD #294813), refer to Section [37 Decals and Reflectors, page 113](#).

(OPTION) UPPER CROSS AUGER – LEFT END, FD145 (2022)

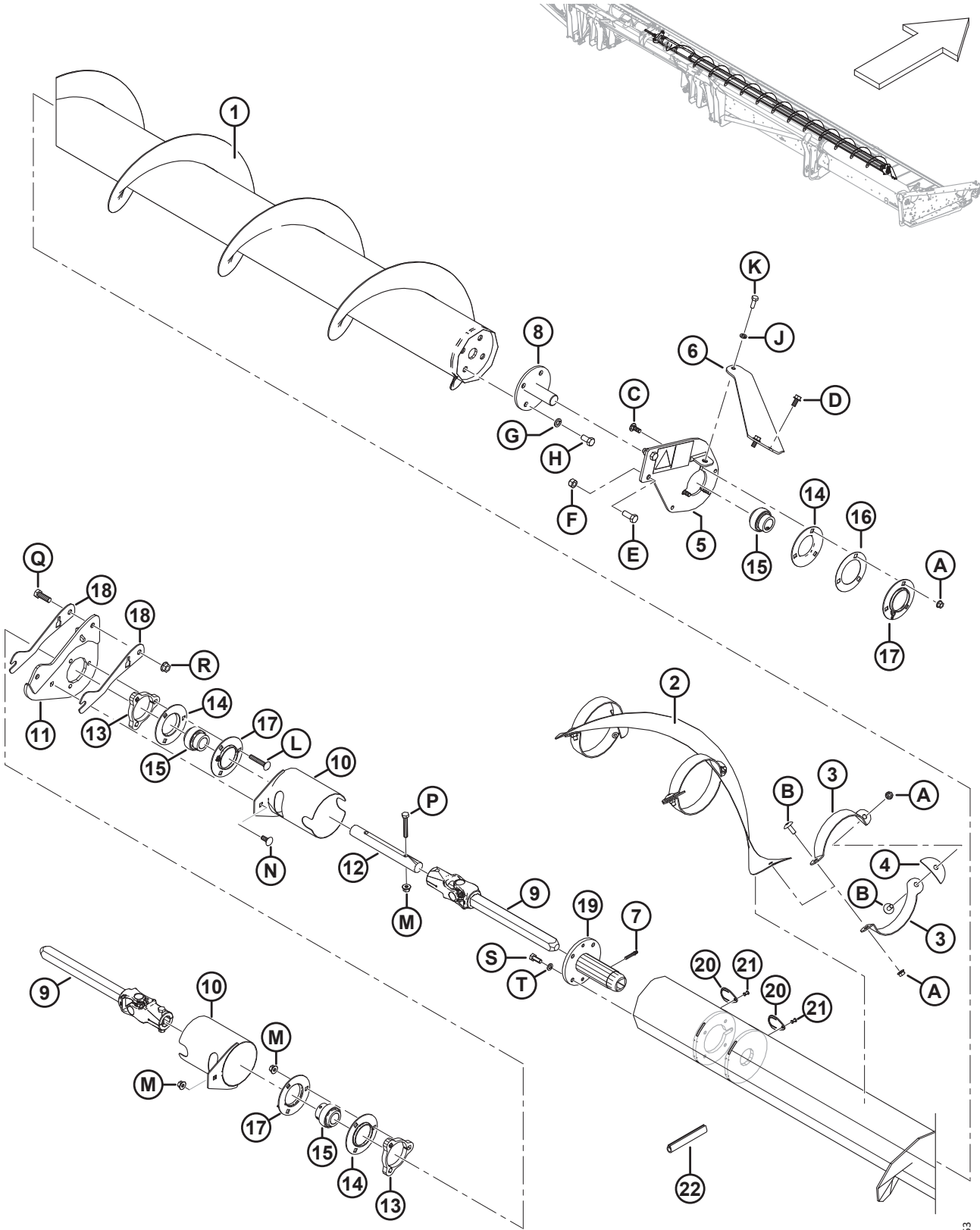


1038203

(OPTION) UPPER CROSS AUGER – LEFT END, FD145 (2022)

Ref	Part Number	Description	Qty	Serial Number
D	21491	BOLT – HH 1/2 NC X 1.25 LG GR 5 ZP		
E	18697	NUT – HEX LOCK DT .500-13 UNC		
F	21854	BOLT – HH 1/4 NC X 2.5 LG GR 5 ZP		
G	21760	BOLT – HH 1/2 NC X 2.5 LG GR 5 ZP		
H	137727	NUT – HEX JAM-DIST THD. 1/2-13 UNC GR 5 ZP		
J	135248	NUT – HEX FLG CTR LOC		
K	21476	BOLT – RHSN 1/4-20 X .75-GR5-ZP		
L	100456	BOLT – RHSSN 3/8 NC X 1.0 GR 5 ZP		
M	135193	SCREW – HEX WASH HD THD ROLLING 3/8 NC X 1.0		
N	18637	WASHER – REG. LOCK 3/8 IN. NOM. ID ZP		
P	20077	BOLT – HEX HD 3/8 NC X 1.0 LG GR 5 ZP		
Q	30627	BOLT – HEX HD TFL M10 X 1.5 X 25-8.8-A3L		
R	30632	WASHER – LOCK SPRING M10		

# 77 (Option) Upper Cross Auger – Right End, FD155 (2022)



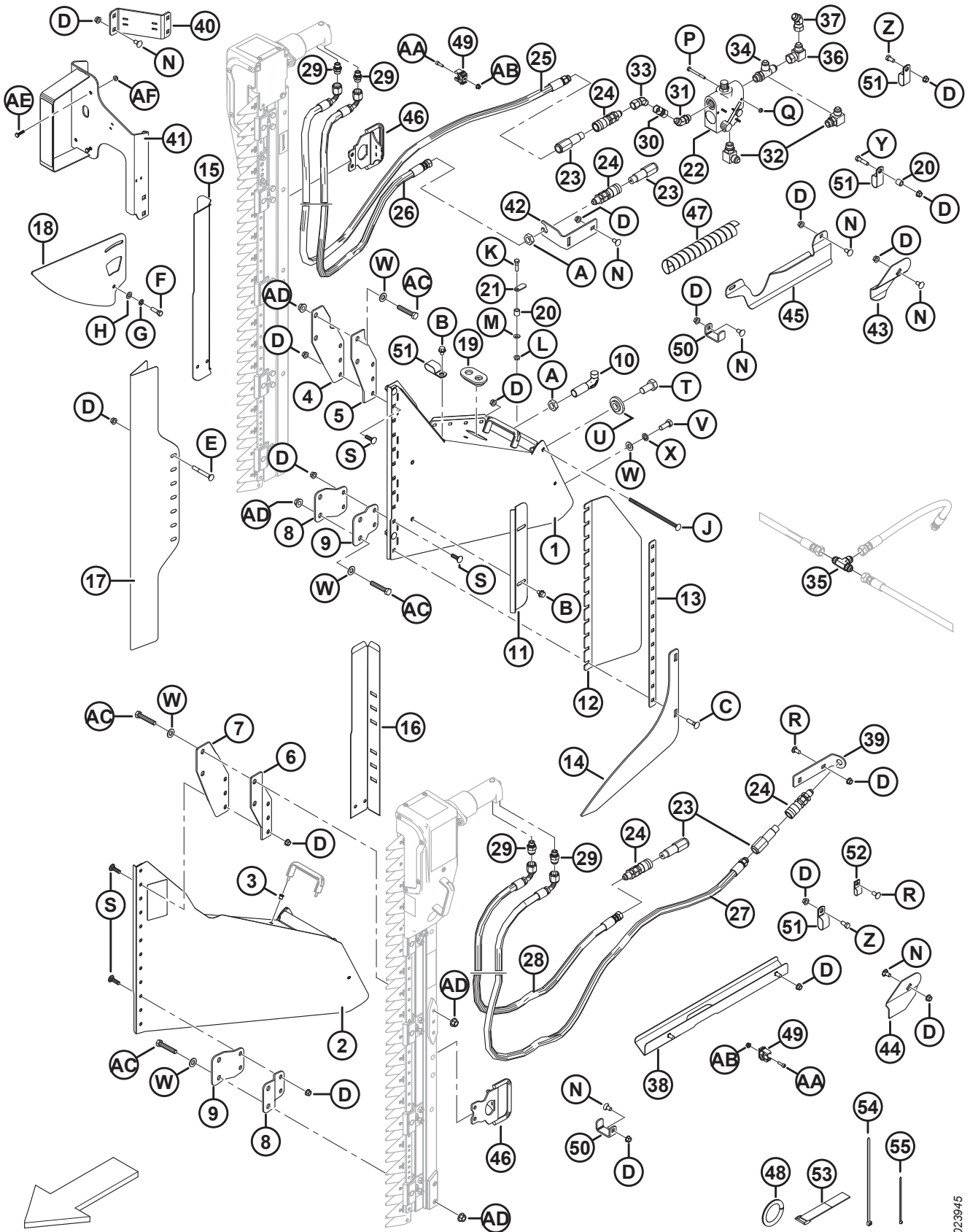
1038153

(OPTION) UPPER CROSS AUGER – RIGHT END, FD145 (2022)

Ref	Part Number	Description	Qty	Serial Number
1	335598	AUGER – UCA RH WELDT 45 FT	1	
2	335592	FLIGHTING – RH CENTER	1	
3	294425	SUPPORT – RH	6	
4	255883	PLATE	3	
5	174176	SUPPORT RH – DECAL ASSY	1	
6	279926	BRACE – RH	1	
7	30934	FITTING – 1/4-28 TAPER THD	1	
8	132303	SHAFT – END WELDT	1	
	294677	KIT – DISC, UNPAINTED <sup>276</sup>		
9	233513	JOINT – UNIVERSAL	2	
10	233371	GUARD – WELDT	2	
11	335615	SUPPORT – BEARING MOUNT WELDT	1	
12	233519	SHAFT	1	
13	233450	PLATE – SPACER	2	
14	49306	FLANGE	3	
15	21859	BEARING – SPH OD EXT INNER RACE 1 3/16 BORE	3	
16	172340	SHIM	1	
17	30661	FLANGE	3	
18	335625	SHIM – UCA CENTER SUPPORT	2	
19	233514	HUB – WELDT UCA SLIDING	1	
20	233625	COVER	2	
21	18768	RIVET – BLIND Ø0.188 IN. X 0.251 TO 0.375 GRIP RANGE	2	
22	45427	MOULDING – RH	1	
A	30228	NUT – FLANGE DT SMOOTH FACE 0.375-16 UNC		
B	135507	SCREW – MACHINE,TRUSS HD TORX,38NC X 1LG		
C	19965	BOLT – RHSN 3/8-16 X 1-GR5-ZP		
D	101897	SCREW – HEX WASH HD THD ROLLING 3/8 NC X 3/4		
E	21491	BOLT – HH 1/2 NC X 1.25 LG GR 5 ZP		
F	18697	NUT – HEX LOCK DT .500-13UNC		
G	18638	WASHER – REG. LOCK 1/2 IN. NOM. ID ZP		
H	21575	BOLT – HH 1/2 NC X 1.0 LG GR 5 ZP		
J	18637	WASHER – REG. LOCK 3/8 IN. NOM. ID ZP		
K	20077	BOLT – HEX HD 3/8 NC X 1.0 LG GR 5 ZP		
L	136113	BOLT – RHSN M10 X 1.5 X 60-8.8-AA1J		
M	135799	NUT – HEX FLG CTR LOC M10 X 1.5-10		
N	135785	BOLT – RHSN M10 X 1.5 X 25-8.8-AA1J		
P	108172	BOLT – HEX HD M10 X 1.5 X 65-8.8-AA1J		
Q	18723	BOLT – HEX HD 1/2-13 X 1.5 GR5-AA1J		
R	50186	NUT – FLG LK DT 1/2-13 UNC GR5 AA1J		
S	30627	BOLT – HEX HD TFL M10 X 1.5 X 25-8.8-A3L		
T	30632	WASHER – LOCK SPRING M10		

276. Repair part for shaft (MD #132303).

# 78 (Option) Vertical Knife – Standard Reel Arm (2018 and Prior)



1023945



(OPTION) VERTICAL KNIFE – STANDARD REEL ARM (2018 AND PRIOR)

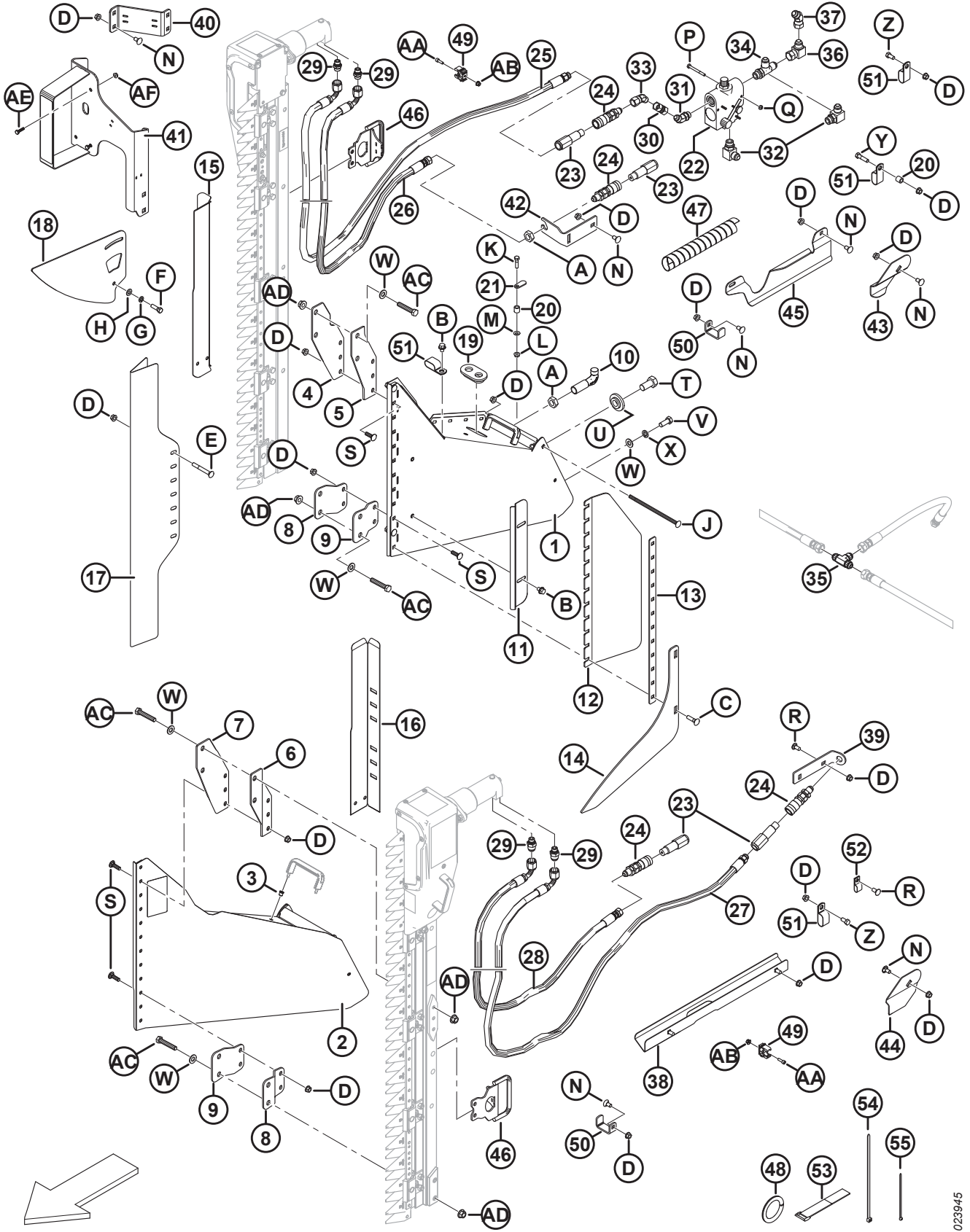
Ref	Part Number	Description	Qty	Serial Number
1	279494	SUPPORT ASSY – RH VERT KNIFE, C/W DECAL <sup>277</sup>	1	-346189
2	279485	SUPPORT ASSY – LH VERT KNIFE, C/W DECAL <sup>277</sup>	1	-346189
3	252578	RIVNUT – M6 X 1 RND 0.7-4.2	4	-346189
4	279156	SUPPORT – VK, TOP RH OUTBOARD	1	-346189
5	279157	SUPPORT – VK, TOP RH INBOARD	1	-346189
6	279158	SUPPORT – VK, TOP LH OUTBOARD	1	-346189
7	279159	SUPPORT – VK, TOP LH INBOARD	1	-346189
8	279498	SUPPORT – VK, BOTTOM, OUTBOARD	2	-346189
9	279499	SUPPORT – VK, BOTTOM, INBOARD	2	-346189
10	132773	HOOK – DIVIDER LATCH	2	-346189
11	174242	DEFLECTOR – VERTICAL KNIFE	2	-346189
12	174321	DEFLECTOR – PLASTIC VERTICAL KNIFE	2	-346189
13	174240	RETAINER – DEFLECTOR VERTICAL KNIFE	2	-346189
14	220197	LIFTER – VERTICAL KNIFE	2	-346189
15	174318	SHIELD – HOSES RH VERTICAL KNIFE	1	-346189
16	174322	SHIELD – HOSES LH VERTICAL KNIFE	1	-346189
17	165380	SHIELD – VERTICAL KNIFE	2	-346189
18	174238	GUIDE – TOP VERTICAL KNIFE	2	-346189
19	165103	GROMMET	2	-346189
20	174324	SPACER	3	-346189
21	174243	LEVER – SAFETY	2	-346189
22	174422	VALVE <sup>278</sup>	1	-346189
	30054	SEAL KIT		-346189
23	135386	COUPLER – MALE HYD. 3/8 IN. FLAT FACE (FASTER) <sup>279</sup>	4	-346189
	111978	SEAL KIT – 3/8 MALE (FASTER ONLY)		-346189
24	135213	COUPLING – FEMALE HYD. 3/8 IN. FLAT FACE BULKHEAD	4	-346189
25	174262	HOSE – RH VERT. KNIFE PRESSURE, 3425 MM LG	1	-346189
26	174547	HOSE – RH VERTICAL KNIFE RETURN, 3350 MM LG	1	-346189
27	174263	HOSE – LH VERT. KNIFE PRESSURE, 3125 MM LG	1	-346189
28	174585	HOSE – LH VERTICAL KNIFE RETURN, 2750 MM LG	1	-346189
29	252296	FITTING – ADAPTER 10 JIC X 6 BSPP (ZIEGLER ONLY)	4	-346189
	136654	SEAL KIT (ZIEGLER ONLY)		-346189
	21746	FITTING – CONNECTOR HYD (SABRE ONLY)	4	-346189
30	135540	FITTING – FEMALE UNION HYD	1	-346189
31	135241	FITTING – ELBOW 45° HYD C/W O-RING	1	-346189
32	21843	FITTING – ELBOW 90° HYD	2	-346189
33	135685	FITTING – ELBOW 45° HYD	1	-346189
34	50019	FITTING – TEE HYD STR THD RUN TEE C/W O-RING	1	-346189
35	30551	FITTING – TEE HYD	1	-346189

277. Includes decal (MD #174684) and two rivnuts (MD #252578).

278. Includes seal kit (MD #30054).

279. Faster coupler (MD #135386) is interchangeable with Parker Hannifin couple (NSS). Seal kit (MD #111978) is only intended for Faster coupler and cannot be used with Parker Hannifin coupler. Length can be used to differentiate the two couplers; Faster coupler = 101 mm and Parker Hannifin coupler = 84 mm.

(OPTION) VERTICAL KNIFE – STANDARD REEL ARM (2018 AND PRIOR)

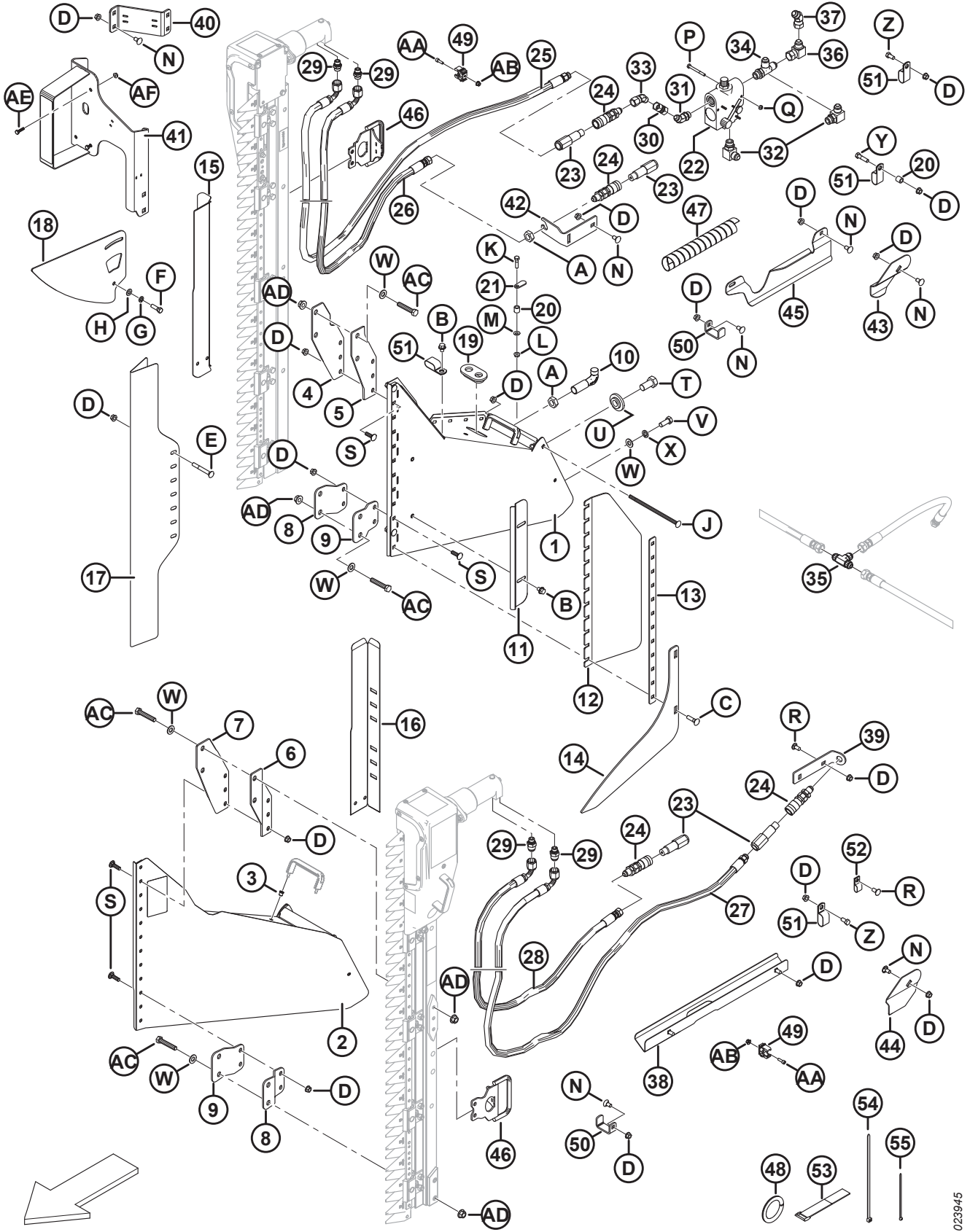


1023945

(OPTION) VERTICAL KNIFE – STANDARD REEL ARM (2018 AND PRIOR)

Ref	Part Number	Description	Qty	Serial Number
36	30556	FITTING – ELBOW 90° HYD	1	-346189
37	135434	FITTING – ELBOW 45° SWIVEL SAE	1	-346189
38	174586	SUPPORT WELDMENT – LH VERTICAL KNIFE	1	-346189
39	174538	SUPPORT – HOSE LH VERTICAL KNIFE	1	-346189
40	174883	SUPPORT – LAMP, VERTICAL KNIFE KIT	1	-346189
41	294393	SUPPORT – RH REAR LIGHT VERT KNIFE	1	-346189
42	174521	SUPPORT – COUPLER	1	-346189
43	174514	HOLDER – RH HOSE VERTICAL KNIFE	1	-346189
44	174513	HOLDER – LH HOSE VERTICAL KNIFE	1	-346189
45	125229	GUIDE – RH HOSES, VERT KNIFE	1	-346189
46	279144	HANDLE – VERT KNIFE (ZIEGLER ONLY)	2	-346189
47	252537	GUARD – HOSE, SPIRAL	1	-346189
48	45427	MOULDING – RH (SPEC 31886)	1	-346189
49	252314	CLIP – PIPE, 20 MM	8	-346189
50	132418	CLAMP – HOSE VERTICAL KNIFE	3	-346189
51	103738	CLAMP – PVC INSULATED 13/16 IN. TUBE SIZE	13	-346189
52	135233	CLAMP – DOUBLE HOSE INSULATED	1	-346189
53	135443	FASTENER – CINCH STRAP 4 IN. LG	3	-346189
54	30753	FASTENER – CABLE TIE BLACK, 305 MM LG	6	-346189
55	21763	FASTENER – CABLE TIE BLACK, 160 MM LG	10	-346189
A	7674	NUT – HEX JAM 3/4 16 UNF GR 5 ZP		
B	30693	BOLT – FLANGE (SER FACE) .375-16 UNC X 0.5 LG		
C	21484	BOLT – RHSN 3/8 NC X 1.5 LG GR 5 ZP		
D	30228	NUT – FLANGE DT SMOOTH FACE 0.375-16 UNC		
E	30307	BOLT – RHSN 3/8 NC X 3.0 LG GR 5 ZP		
F	21264	BOLT – HH 3/8 NC X 1.25 LG GR 5 ZP		
G	18637	WASHER – REG. LOCK 3/8 IN. NOM. ID ZP		
H	18598	WASHER – SAE FLAT 13/32 ID X 13/16 IN OD ZP		
J	135665	BOLT – RHSN 3/8 NC X 8 LG GR 5 ZP		
K	21526	BOLT – HH 5/16 NC X 1.25 LG GR 5 ZP		
L	30280	NUT – FLG SIDE LK SMTH FACE 5/16 NC GR 5 ZP		
M	184579	WASHER – CONICAL SPRING M8A		
N	21472	BOLT – RHSN 3/8 NC X 0.75 GR 5 ZP		
P	21854	BOLT – HH 1/4 NC X 2.5 LG GR 5 ZP		
Q	18724	NUT – HEX LOCK DT 1/4-20 UNC ZP		
R	21863	BOLT – RHSSN 3/8 NC X 0.75 LG GR 5 ZP		
S	19966	BOLT – RHSN 3/8 NC X 1.25 LG GR 5 ZP		
T	135579	BOLT – HEX HD 3/4-16 UNF		
U	220324	WASHER – VERTICAL KNIFE		
V	21491	BOLT – HH 1/2 NC X 1.25 LG GR 5 ZP		
W	18599	WASHER – SAE FLAT 17/32 ID X 1 1/16 IN OD ZP		
X	18638	WASHER – REG. LOCK 1/2 IN. NOM. ID ZP		

(OPTION) VERTICAL KNIFE – STANDARD REEL ARM (2018 AND PRIOR)

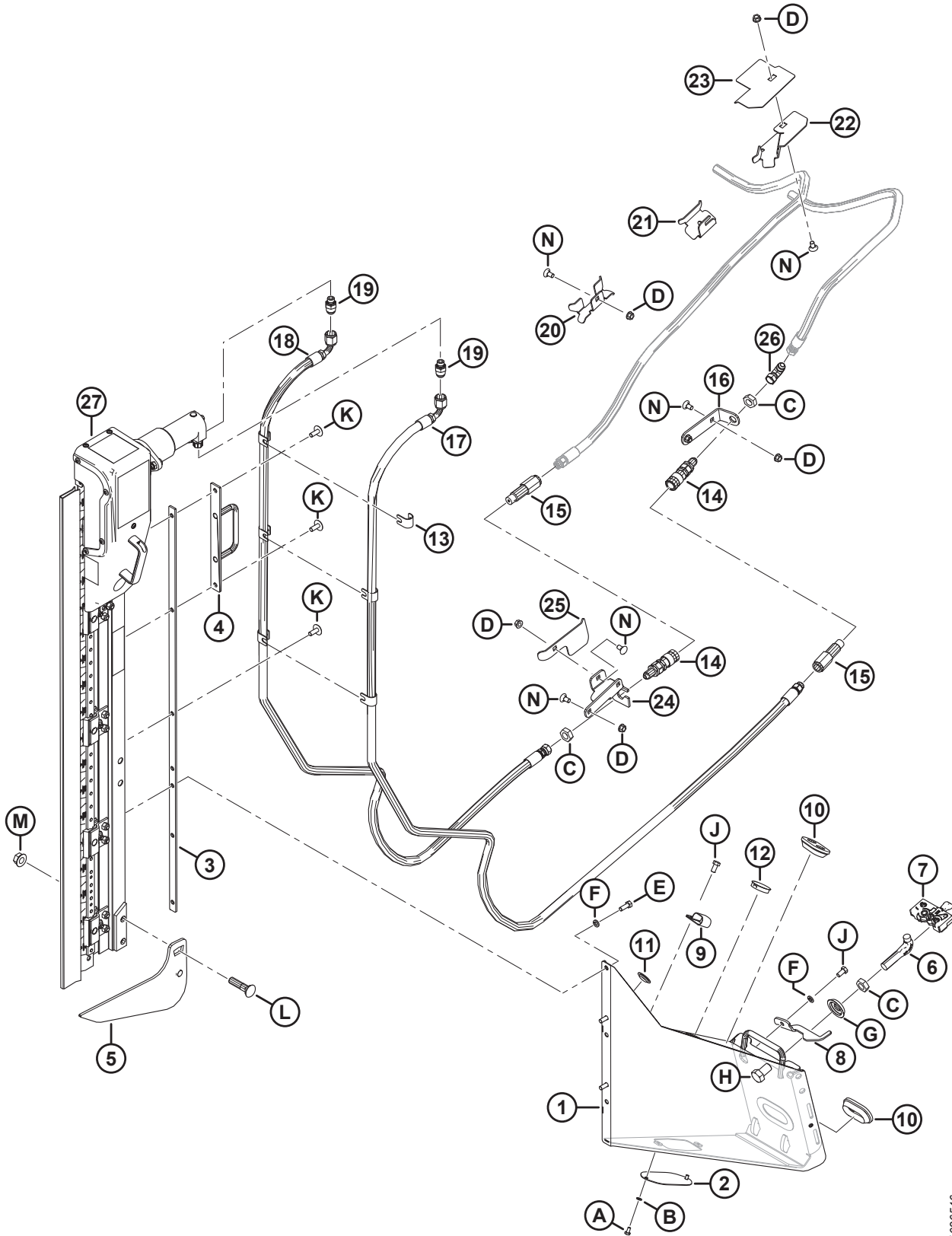


1023945

(OPTION) VERTICAL KNIFE – STANDARD REEL ARM (2018 AND PRIOR)

Ref	Part Number	Description	Qty	Serial Number
Y	21561	BOLT – HH 3/8 NC X 1.5 LG GR 5 ZP		
Z	21567	BOLT – HEX HD .375-16 UNC X 0.75 LG		
AA	136652	SCREW – HEX SOC HD M6 X 1 X 20-12.9-A2L		
AB	152668	NUT – HEX FLG CTR LOC M6 X 1-8-A2L		
AC	252541	BOLT – HEX HD M12 X 1.75 X 65-8.8-A3L		
AD	148645	NUT – HEX FLG STVR LOC M12 X 1.75-10-A3L		
AE	21573	BOLT – HEX HD 1/4 NC X 1.0 LG GR 5 ZP		
AF	21455	NUT – FLG (SER FACE) 1/4 NC GR 5 ZP		

# 79 (Option) Vertical Knife – Standard Reel Arm, Left End (2019–2021)



1026546

(OPTION) VERTICAL KNIFE – STANDARD REEL ARM, LEFT END (2019–2021)

Ref	Part Number	Description	Qty	Serial Number
	B6410	KIT – ZIEGLER LH/RH VERTICAL KNIVES FOR D1/FD1 <sup>280</sup>		346190–
1	REF	SUPPORT ASSEMBLY – LH NA <sup>281</sup>	1	346190–421189
	335869	KIT – VERTICAL KNIFE MOUNTS <sup>282</sup>		
2	253582	PLATE	1	346190–421189
3	253668	SUPPORT WELDMENT	1	346190–421189
4	253570	SUPPORT WELDMENT	1	346190–421189
5	253708	LIFTER LEFT WELDMENT	1	346190–421189
6	132773	HOOK – DIVIDER LATCH	1	346190–421189
7	120932	LATCH – LH	1	346190–421189
8	132248	LATCH – LH, DIVIDER SAFETY	1	346190–421189
9	103738	CLAMP – PVC INSULATED 13/16 IN. TUBE SIZE	1	346190–421189
10	165103	GROMMET	2	346190–421189
11	30433	PLUG – PLASTIC SNAP-IN	2	346190–421189
12	135613	PLUG – PLASTIC SNAP-IN	1	346190–421189
13	279798	SUPPORT	6	346190–421189
14	135213	COUPLING – FEMALE HYD. 3/8 FLAT FACE BULKHEAD	2	346190–421189
15	135386	COUPLER – MALE HYD. 3/8 IN. FLAT FACE (FASTER) <sup>283</sup>	2	346190–421189
	111978	SEAL KIT – 3/8 MALE (FASTER ONLY)		346190–421189
16	245915	SUPPORT – HOSE COUPLER	1	346190–421189
17	294985	HOSE – HYD	1	346190–421189
18	294508	HOSE – HYD	1	346190–421189
19	252296	FITTING – ADAPTER-10 JIC X-6 BSPP	2	346190–421189
20	245931	SUPPORT – HOSE	1	346190–421189
21	245956	SUPPORT – HOSE	1	346190–421189
22	253702	SUPPORT – HOSE, LH	1	346190–421189
23	253704	GUIDE – HOSE, LH	1	346190–421189
24	245928	SUPPORT – LH COUPLER	1	346190–421189
25	245936	DEFLECTOR – LH HOSE	1	346190–421189
26	30314	FITTING – ELBOW 90° HYD	1	346190–421189
27	NSS	ZIEGLER VERTICAL KNIFE <sup>284</sup>		346190–421189
A	21580	BOLT – HEX HD 1/4 NC X 0.5 LG GR 5 ZP		
B	18635	WASHER – REG. LOCK 1/4 IN. NOM. ID ZP		
C	7674	NUT – HEX JAM 3/4-16 UNF GR 5 ZP		

280. Kit includes two knives. Kits available through Whole Goods only.

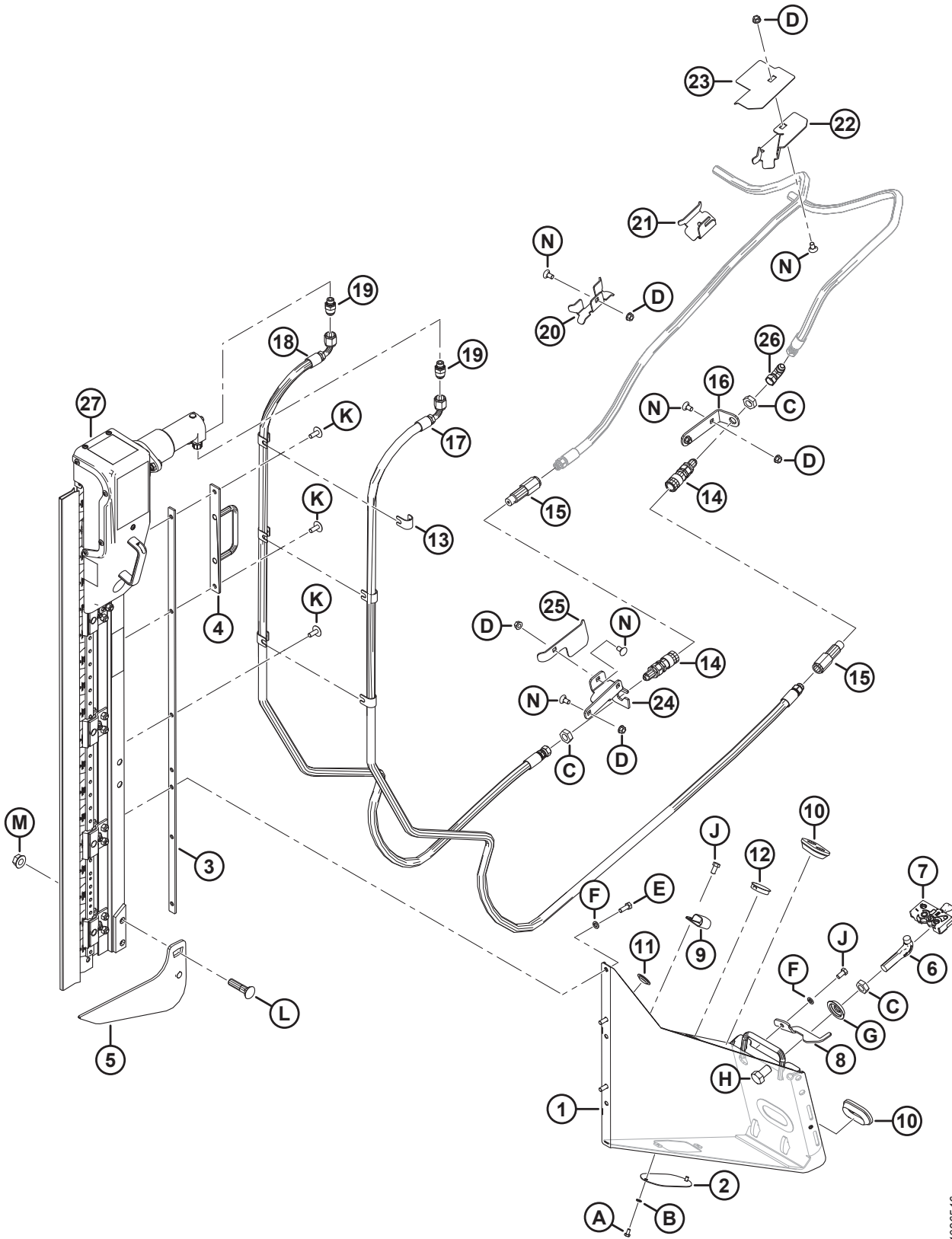
281. If replacing the LH support assembly, order the Vertical Knife Mounts kit (MD #335869). The vertical knife mounts have a new design, and the kit includes both LH and RH mounts, hoses, and hardware required to convert to the new configuration.

282. Includes both LH and RH mounts, hoses, and hardware required to convert to the new configuration.

283. Faster coupler (MD #135386) is interchangeable with Parker Hannifin coupler (NSS). Seal kit (MD #111978) is only intended for Faster coupler and cannot be used with Parker Hannifin coupler. Length can be used to differentiate the two couplers; Faster coupler = 101 mm and Parker Hannifin coupler = 84 mm.

284. Not sold separately, can be ordered as a set of two knives (B6410). For service parts, refer to Section [86 \(Option\) Vertical Knife Assembly – Service Parts, page 253](#).

(OPTION) VERTICAL KNIFE – STANDARD REEL ARM, LEFT END (2019–2021)



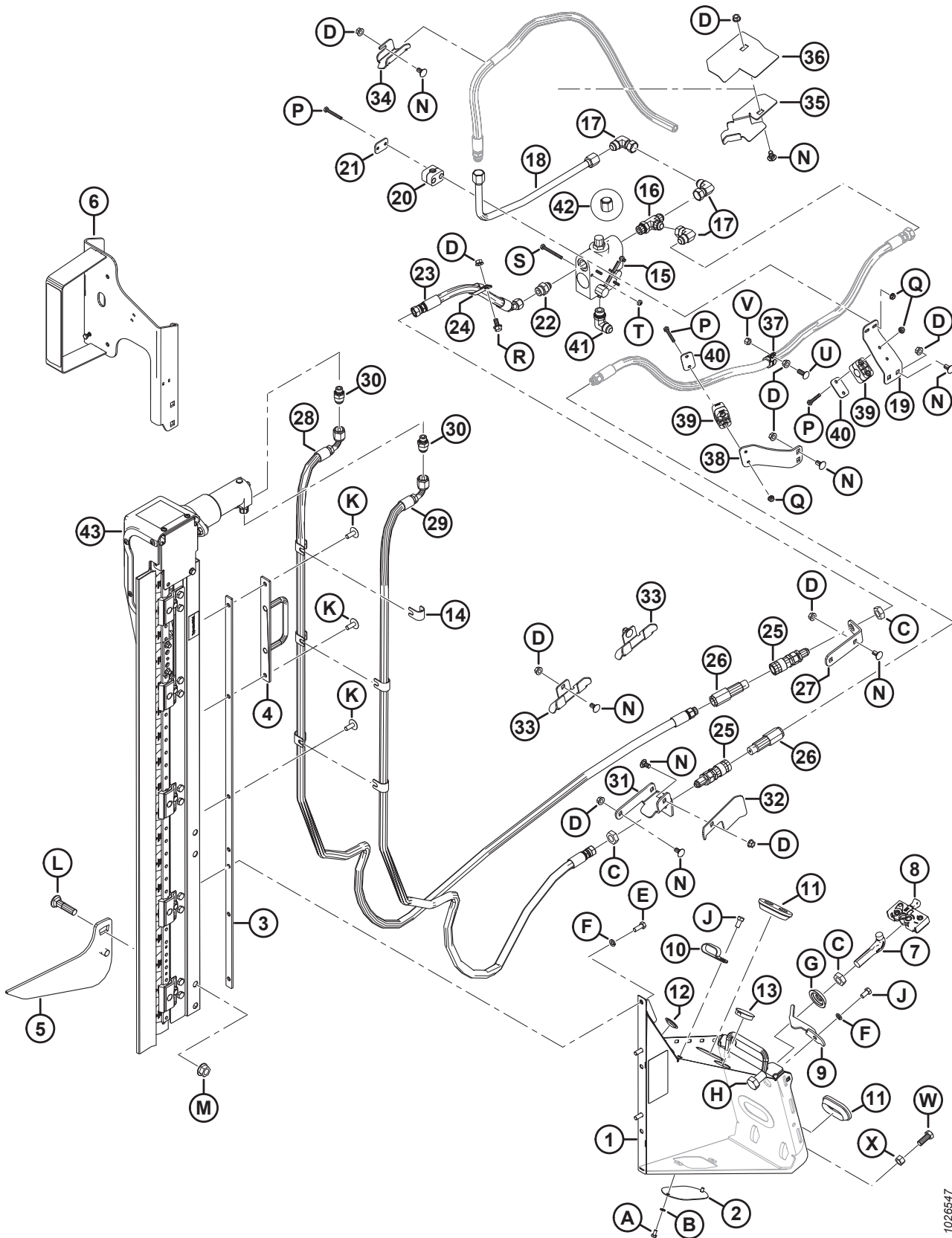
1026546



(OPTION) VERTICAL KNIFE – STANDARD REEL ARM, LEFT END (2019–2021)

Ref	Part Number	Description	Qty	Serial Number
D	30228	NUT – FLANGE DT SMOOTH FACE 0.375-16 UNC		
E	20077	BOLT – HEX HD 3/8 NC X 1.0 LG GR 5 ZP		
F	18637	WASHER – REG. LOCK 3/8 IN. NOM. ID ZP		
G	253477	WASHER – VERTICAL KNIFE		
H	21590	BOLT – HH 3/4 NC X 1.25 LG GR 5 ZP		
J	21567	BOLT – HEX HD .375-16 UNC X 0.75 LG		
K	135507	SCREW – MACHINE TRUSS HD TORX, 38 NC X 1 LG		
L	30759	BOLT – RHSSN 5/8 NC X 2.5 LG GR 5 ZP		
M	50225	NUT – FLANGE DT SMOOTH FACE .625-11 UNC		
N	21472	BOLT – RHSN 3/8-16 X .75-GR5		

# 80 (Option) Vertical Knife – Standard Reel Arm, Right End (2019–2021)



1026547

(OPTION) VERTICAL KNIFE – STANDARD REEL ARM, RIGHT END (2019–2021)

Ref	Part Number	Description	Qty	Serial Number
	B6410	KIT – ZIEGLER LH/RH VERTICAL KNIFES FOR D1/FD1 <sup>285</sup>		346190–
1	REF	SUPPORT ASSEMBLY – RH NA <sup>286</sup>	1	346190–421189
	335869	KIT – VERTICAL KNIFE MOUNTS <sup>287</sup>		
2	253582	PLATE	1	346190–421189
3	253668	SUPPORT WELDMENT	1	346190–421189
4	253570	SUPPORT WELDMENT	1	346190–421189
5	253709	LIFTER RIGHT WELDMENT	1	346190–421189
6	294393	SUPPORT – RH LIGHT VERT KNIFE	1	346190–421189
	115146	REFLECTOR – AMBER		346190–421189
	115147	REFLECTOR – RED		346190–421189
7	132773	HOOK – DIVIDER LATCH	1	346190–421189
8	120933	LATCH – RH	1	346190–421189
9	132253	LATCH – RH, DIVIDER SAFETY	1	346190–421189
10	103738	CLAMP – PVC INSULATED 13/16 IN. TUBE SIZE	7	346190–421189
11	165103	GROMMET	2	346190–421189
12	30433	PLUG – PLASTIC SNAP-IN	2	346190–421189
13	135613	PLUG – PLASTIC SNAP-IN	1	346190–421189
14	279798	SUPPORT	6	346190–421189
15	174422	VALVE	1	346190–421189
	30054	SEAL KIT		346190–421189
16	50019	FITTING – TEE HYD STR THD RUN TEE CW O-RING	1	346190–421189
17	30556	FITTING – ELBOW 90° HYD	3	346190–421189
18	255471	LINE – HYDRAULIC	1	346190–421189
19	279001	SUPPORT – HOSE CLAMP	1	346190–421189
20	252399	CLAMP – ASSY	1	346190–421189
21	255461	PLATE – COVER	1	346190–421189
22	21881	FITTING – ADAPTER HYD	1	346190–421189
23	255462	HOSE – HYD	1	346190–421189
24	135235	CLAMP – DOUBLE HOSE INSULATED	1	346190–421189
25	135213	COUPLING – FEMALE HYD. 3/8 FLAT FACE BULKHEAD	2	346190–421189
26	135386	COUPLER – MALE HYD. 3/8 IN. FLAT FACE (FASTER) <sup>288</sup>	2	346190–421189
	111978	SEAL KIT – 3/8 MALE (FASTER ONLY)		346190–421189
27	245915	SUPPORT – HOSE COUPLER	1	346190–421189
28	294985	HOSE – HYD	1	346190–421189
29	294508	HOSE – HYD	1	346190–421189
30	252296	FITTING – ADAPTER-10 JIC X-6 BSPP	2	346190–421189
31	245955	SUPPORT – RH COUPLER	1	346190–421189

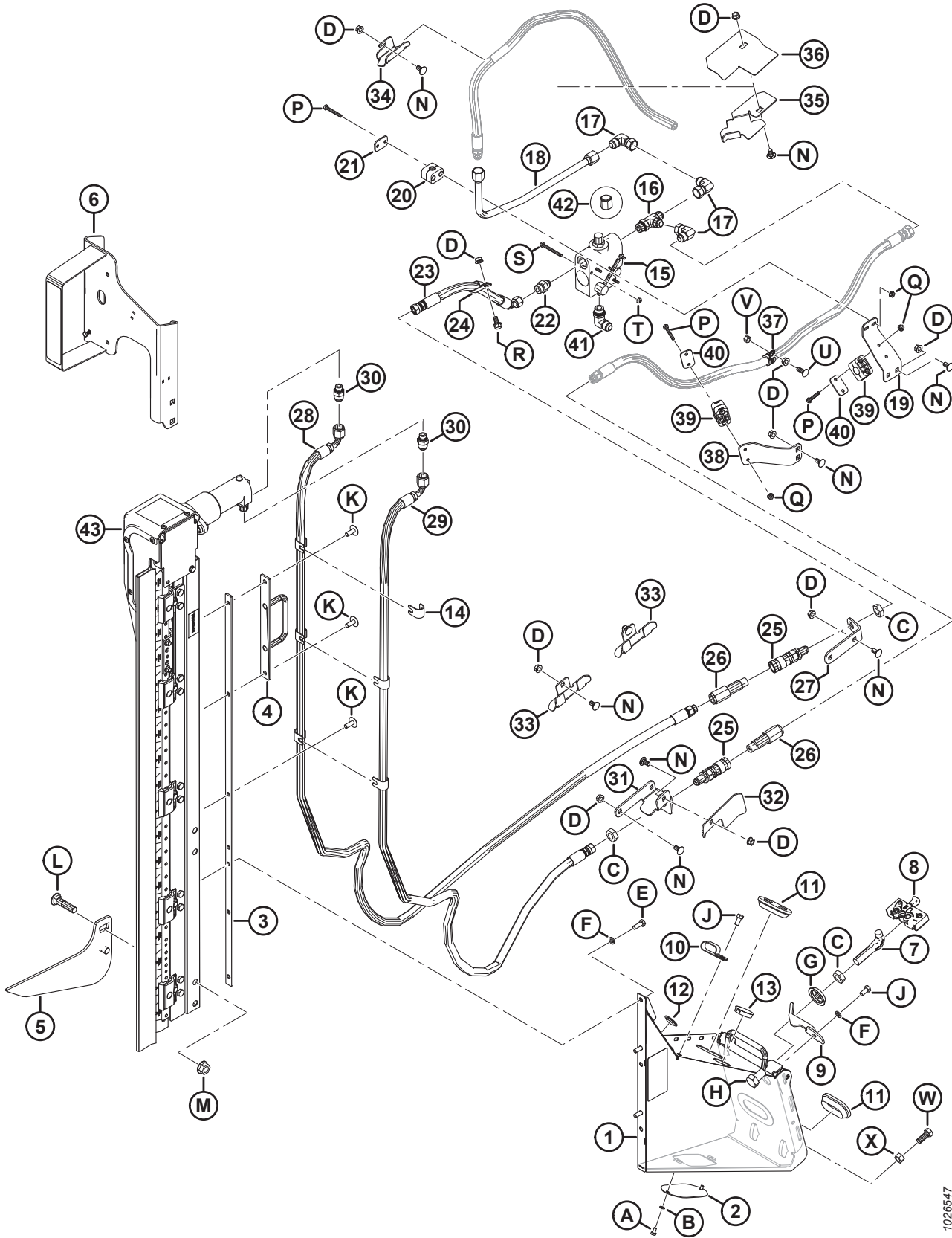
285. Kit includes two knives. Kits available through Whole Goods only.

286. If replacing the RH support assembly, order the Vertical Knife Mounts kit (MD #335869). The vertical knife mounts have a new design, and the kit includes both LH and RH mounts, hoses, and hardware required to convert to the new configuration.

287. Includes both LH and RH mounts, hoses, and hardware required to convert to the new configuration.

288. Faster coupler (MD #135386) is interchangeable with Parker Hannifin coupler (NSS). Seal kit (MD #111978) is only intended for Faster coupler and cannot be used with Parker Hannifin coupler. Length can be used to differentiate the two couplers; Faster coupler = 101 mm and Parker Hannifin coupler = 84 mm.

(OPTION) VERTICAL KNIFE – STANDARD REEL ARM, RIGHT END (2019–2021)



1026547

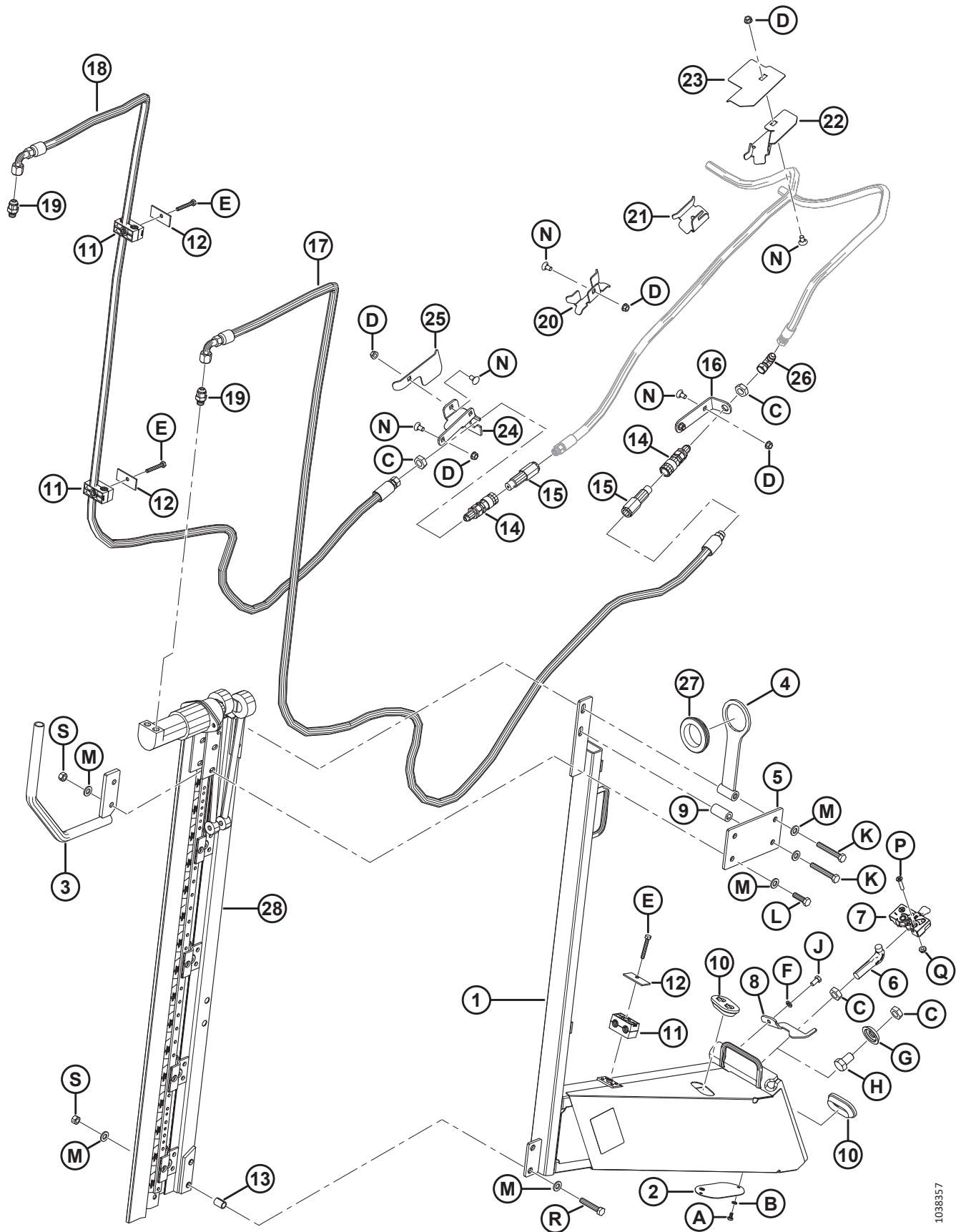
(OPTION) VERTICAL KNIFE – STANDARD REEL ARM, RIGHT END (2019–2021)

Ref	Part Number	Description	Qty	Serial Number
32	279017	DEFLECTOR – RH HOSE	1	346190–421189
33	245931	SUPPORT – HOSE	2	346190–421189
34	245956	SUPPORT – HOSE	1	346190–421189
35	253703	SUPPORT – HOSE, RH	1	346190–421189
36	253705	GUIDE – HOSE, RH	1	346190–421189
37	135709	CLAMP – INSULATED 3/4 IN	1	346190–421189
38	245946	SUPPORT – HOSE CLAMP	1	346190–421189
39	252368	CLAMP – ASSY	2	346190–421189
40	255460	PLATE – COVER	2	346190–421189
41	21843	FITTING – ELBOW 90° HYD	1	346190–421189
42	112935	CAP – 5/8 IN. TUBE 37° FLARE	1	346190–421189
43	NSS	ZIEGLER VERTICAL KNIFE <sup>289</sup>		346190–421189
	294995	HOSE – HYD, 12.5 IN. I.D., 520 MM LG, 100R17 METAL REIN. (NOT ILLUSTRATED) <sup>290</sup>	1	346190–421189
	50102	FITTING – HYD TEE (NOT ILLUSTRATED) <sup>290</sup>	1	346190–421189
A	21580	BOLT – HEX HD 1/4 NC X 0.5 LG GR 5 ZP		
B	18635	WASHER – REG. LOCK 1/4 IN. NOM. ID ZP		
C	7674	NUT – HEX JAM 3/4-16 UNF GR 5 ZP		
D	30228	NUT – FLANGE DT SMOOTH FACE 0.375-16 UNC		
E	20077	BOLT – HEX HD 3/8 NC X 1.0 LG GR 5 ZP		
F	18637	WASHER – REG. LOCK 3/8 IN. NOM. ID ZP		
G	253477	WASHER – VERTICAL KNIFE		
H	21590	BOLT – HH 3/4 NC X 1.25 LG GR 5 ZP		
J	21567	BOLT – HEX HD .375-16 UNC X 0.75 LG		
K	135507	SCREW – MACHINE TRUSS HD TORX, 38 NC X 1 LG		
L	30759	BOLT – RHSSN 5/8 NC X 2.5 LG GR 5 ZP		
M	50225	NUT – FLANGE DT SMOOTH FACE .625-11 UNC		
N	21472	BOLT – RHSN 3/8-16 X .75-GR5		
P	21570	BOLT – HH 1/4 NC X 2.0 LG GR 5 ZP		
Q	135248	NUT – FLG SMTH FACE 1/4-20 NC GR 5 ZP CTR LK DT THD		
R	21821	BOLT – HH FLG (SERR FACE) 3/8 NC X 0.75 GR 5 ZP		
S	21854	BOLT – HH 1/4 NC X 2.5 LG GR 5 ZP		
T	18724	NUT – HEX LOCK DT 1/4-20 UNC ZP		
U	100456	BOLT – RHSSN 3/8 NC X 1.0 GR 5 ZP		
V	135511	NUT – CENTER LOCK .375-16 UNC GR 5 ZP		
W	21491	BOLT – HH 1/2 NC X 1.25 LG GR 5 ZP		
X	18591	NUT – HEX 1/2-13 UNC GR 5 ZP		

289. Not sold separately, can be ordered as a set of two knives (B6410). For service parts, refer to Section [86 \(Option\) Vertical Knife Assembly – Service Parts, page 253](#).

290. For D1XL only. Part is required to make vertical knife bundles (B6608 and B6609) compatible with D1XL Headers.

# 81 (Option) Vertical Knife – Standard Reel Arm, Left End (2022)



1038357

(OPTION) VERTICAL KNIFE – STANDARD REEL ARM, LEFT END (2022)

Ref	Part Number	Description	Qty	Serial Number
	B9048	KIT – VERTICAL KNIFE LH, LONG MOUNT <sup>291</sup>		421190–
	B6410	KIT – ZIEGLER LH/RH VERTICAL KNIVES FOR D1/FD1 <sup>292</sup>		421190–
1	335864	SUPPORT ASSEMBLY – LH LONG <sup>293</sup>	1	421190–
2	253582	PLATE	1	421190–
3	335785	DIVIDER – TUBE WELDMENT	1	421190–
4	335784	SUPPORT – HOSE BRACKET	1	421190–
5	335779	SUPPORT – MOTOR BRACKET	1	421190–
6	132773	HOOK – DIVIDER LATCH	1	421190–
7	120932	LATCH – LH	1	421190–
8	132248	LATCH – LH, DIVIDER SAFETY	1	421190–
9	335810	TUBE – SPACER	1	421190–
10	165103	GROMMET	2	421190–
11	202991	CLAMP – TUBING	3	421190–
12	232233	CLAMP – COVER PLATE	3	421190–
13	335867	SPACER – SPLIT	2	421190–
14	135213	COUPLING – FEMALE HYD. 3/8 FLAT FACE BULKHEAD	2	421190–
15	135386	COUPLER – MALE HYD. 3/8 IN. FLAT FACE (FASTER) <sup>294</sup>	2	421190–
	111978	SEAL KIT – 3/8 MALE (FASTER ONLY)		421190–
16	245915	SUPPORT – HOSE COUPLER	1	421190–
17	335760	HOSE – HYDRAULIC, 0.5 IN ID, 3740 MM LG, 100 R17	1	421190–
18	335759	HOSE – HYDRAULIC, 0.5 IN ID, 3020 MM LG, 100 R17	1	421190–
19	252296	FITTING – ADAPTER-10 JIC X-6 BSPP	2	421190–
20	245931	SUPPORT – HOSE	1	421190–
21	245956	SUPPORT – HOSE	1	421190–
22	253702	SUPPORT – HOSE, LH	1	421190–
23	253704	GUIDE – HOSE, LH	1	421190–
24	245928	SUPPORT – LH COUPLER	1	421190–
25	245936	DEFLECTOR – LH HOSE	1	421190–
26	30314	FITTING – ELBOW 90° HYD	1	421190–
27	172877	GROMMET – 2.38" I.D.	1	421190–
28	NSS	ZIEGLER VERTICAL KNIFE <sup>295</sup>		421190–
A	21580	BOLT – HEX HD 1/4 NC X 0.5 LG GR 5 ZP		
B	18635	WASHER – REG. LOCK 1/4 IN. NOM. ID ZP		
C	7674	NUT – HEX JAM 3/4-16 UNF GR 5 ZP		

291. Kits available through Whole Goods only.

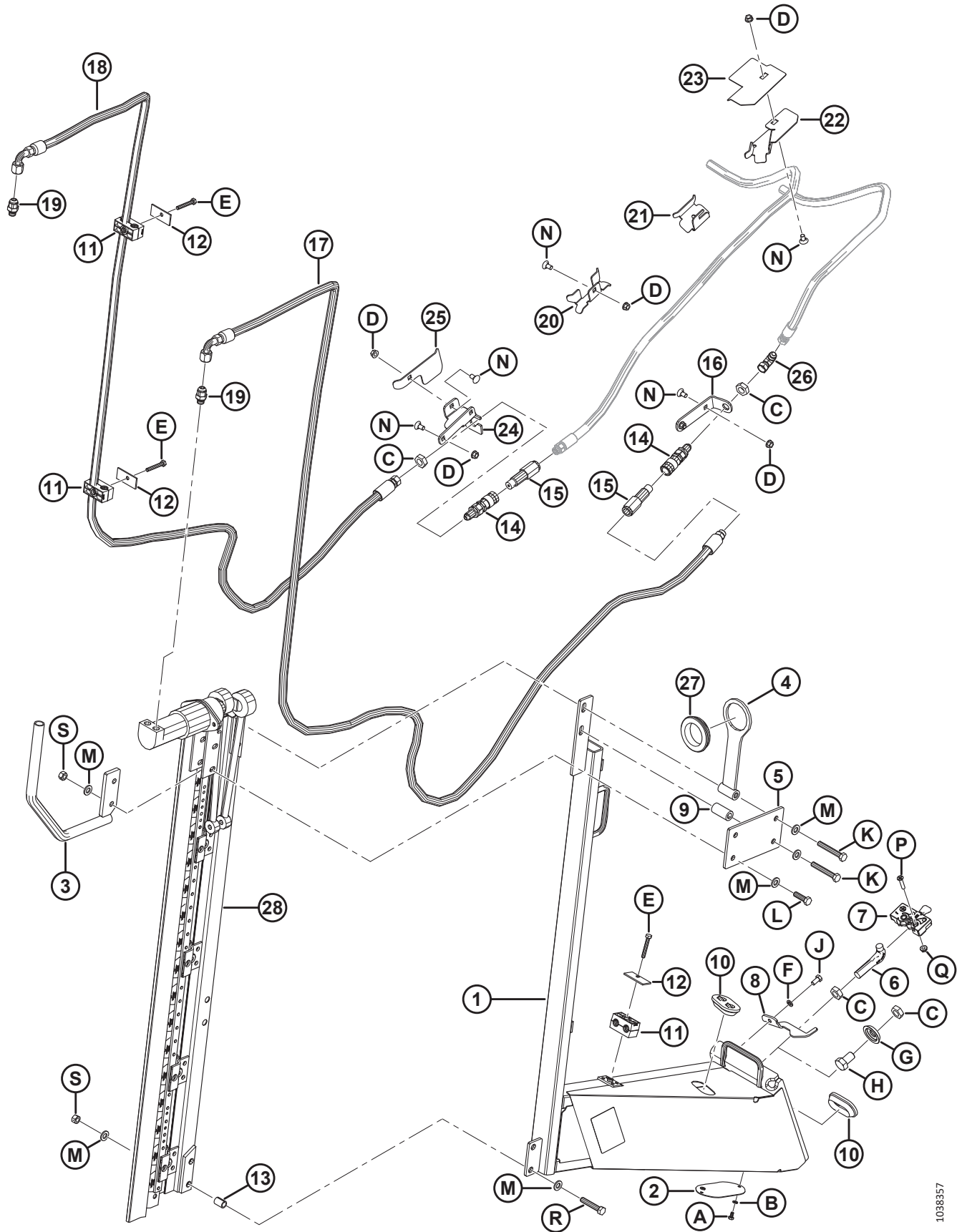
292. Kit includes two knives. Kits available through Whole Goods only.

293. Includes LH support (NSS), plate (MD #253582), two bolts (MD #21580), two washers (MD #18635), and decal (MD #174684).

294. Faster coupler (MD #135386) is interchangeable with Parker Hannifin coupler (NSS). Seal kit (MD #111978) is only intended for Faster coupler and cannot be used with Parker Hannifin coupler. Length can be used to differentiate the two couplers; Faster coupler = 101 mm and Parker Hannifin coupler = 84 mm.

295. Not sold separately, can be ordered as a set of two knives (B6410). For service parts, refer to Section [86 \(Option\) Vertical Knife Assembly – Service Parts, page 253](#).

(OPTION) VERTICAL KNIFE – STANDARD REEL ARM, LEFT END (2022)



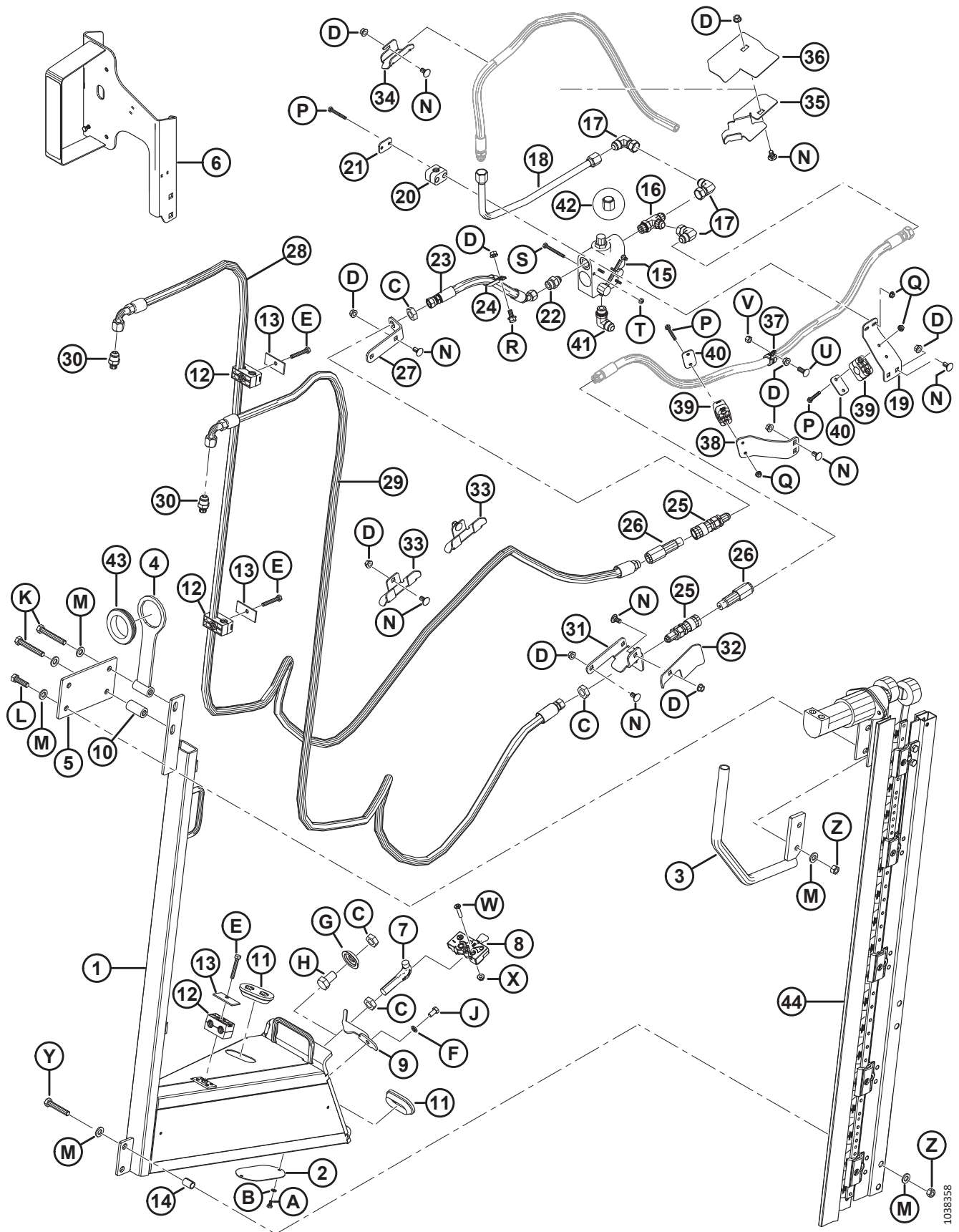
1038357



(OPTION) VERTICAL KNIFE – STANDARD REEL ARM, LEFT END (2022)

Ref	Part Number	Description	Qty	Serial Number
D	30228	NUT – FLANGE DT SMOOTH FACE 0.375-16 UNC		
E	184655	BOLT – HEX HD M8 X 1.25 X 55-8.8-AA1J		
F	18637	WASHER – REG. LOCK 3/8 IN. NOM. ID ZP		
G	253477	WASHER – VERTICAL KNIFE		
H	21590	BOLT – HH 3/4 NC X 1.25 LG GR 5 ZP		
J	21567	BOLT – HEX HD .375-16 UNC X 0.75 LG		
K	184674	BOLT – HEX HD TFL M12 X 1.75 X 80-8.8-AA1J		
L	184669	BOLT – HEX HD M1 2X 1.75 X 40-8.8-AA1J		
M	30636	WASHER – FLAT NARROW M12-STL-SOFT-AA1J		
N	21472	BOLT – RHSN 3/8-16 X .75-GR5		
P	30504	SCREW – FLAT CSK MACH 5/16 NC X 1 1/2 LG GR 5 ZP		
Q	30280	NUT – FLG SIDE LK SMTH FACE 5/16 NC GR 5 ZP		
R	252541	BOLT – HEX HD TFL M12 X 1.75 X 65-8.8-AA3L		
S	136759	NUT – HEX CTR LOC M12 X 1.75-8-AA1J		

# 82 (Option) Vertical Knife – Standard Reel Arm, Right End (2022)



(OPTION) VERTICAL KNIFE – STANDARD REEL ARM, RIGHT END (2022)

Ref	Part Number	Description	Qty	Serial Number
	B9051	KIT – VERTICAL KNIFE RH, LONG MOUNT <sup>296</sup>		421190–
	B6410	KIT – ZIEGLER LH/RH VERTICAL KNIVES FOR D1/FD1 <sup>297</sup>		421190–
1	335866	SUPPORT ASSEMBLY – RH LONG <sup>298</sup>	1	421190–
2	253582	PLATE	1	421190–
3	335785	DIVIDER – TUBE WELDMENT	1	421190–
4	335784	SUPPORT – HOSE BRACKET	1	421190–
5	335779	SUPPORT – MOTOR BRACKET	1	421190–
6	294393	SUPPORT – RH LIGHT VERT KNIFE	1	421190–
	115146	REFLECTOR – AMBER		421190–
	115147	REFLECTOR – RED		421190–
7	132773	HOOK – DIVIDER LATCH	1	421190–
8	120932	LATCH – LH	1	421190–
9	132248	LATCH – LH, DIVIDER SAFETY	1	421190–
10	335810	TUBE – SPACER	1	421190–
11	165103	GROMMET	2	421190–
12	202991	CLAMP – TUBING	3	421190–
13	232233	CLAMP – COVER PLATE	3	421190–
14	335867	SPACER – SPLIT	2	421190–
15	174422	VALVE	1	421190–
	30054	SEAL KIT		421190–
16	50019	FITTING – TEE HYD STR THD RUN TEE CW O-RING	1	421190–
17	30556	FITTING – ELBOW 90° HYD	3	421190–
18	255471	LINE – HYDRAULIC	1	421190–
19	279001	SUPPORT – HOSE CLAMP	1	421190–
20	252399	CLAMP – ASSY	1	421190–
21	255461	PLATE – COVER	1	421190–
22	21881	FITTING – ADAPTER HYD	1	421190–
23	255462	HOSE – HYD	1	421190–
24	135235	CLAMP – DOUBLE HOSE INSULATED	1	421190–
25	135213	COUPLING – FEMALE HYD. 3/8 FLAT FACE BULKHEAD	2	421190–
26	135386	COUPLER – MALE HYD. 3/8 IN. FLAT FACE (FASTER) <sup>299</sup>	2	421190–
	111978	SEAL KIT – 3/8 MALE (FASTER ONLY)		421190–
27	245915	SUPPORT – HOSE COUPLER	1	421190–
28	335760	HOSE – HYDRAULIC, 0.5 IN ID, 3740 MM LG, 100 R17	1	421190–
29	335759	HOSE – HYDRAULIC, 0.5 IN ID, 3020 MM LG, 100 R17	1	421190–
30	252296	FITTING – ADAPTER-10 JIC X-6 BSPP	2	421190–
31	245955	SUPPORT – RH COUPLER	1	421190–

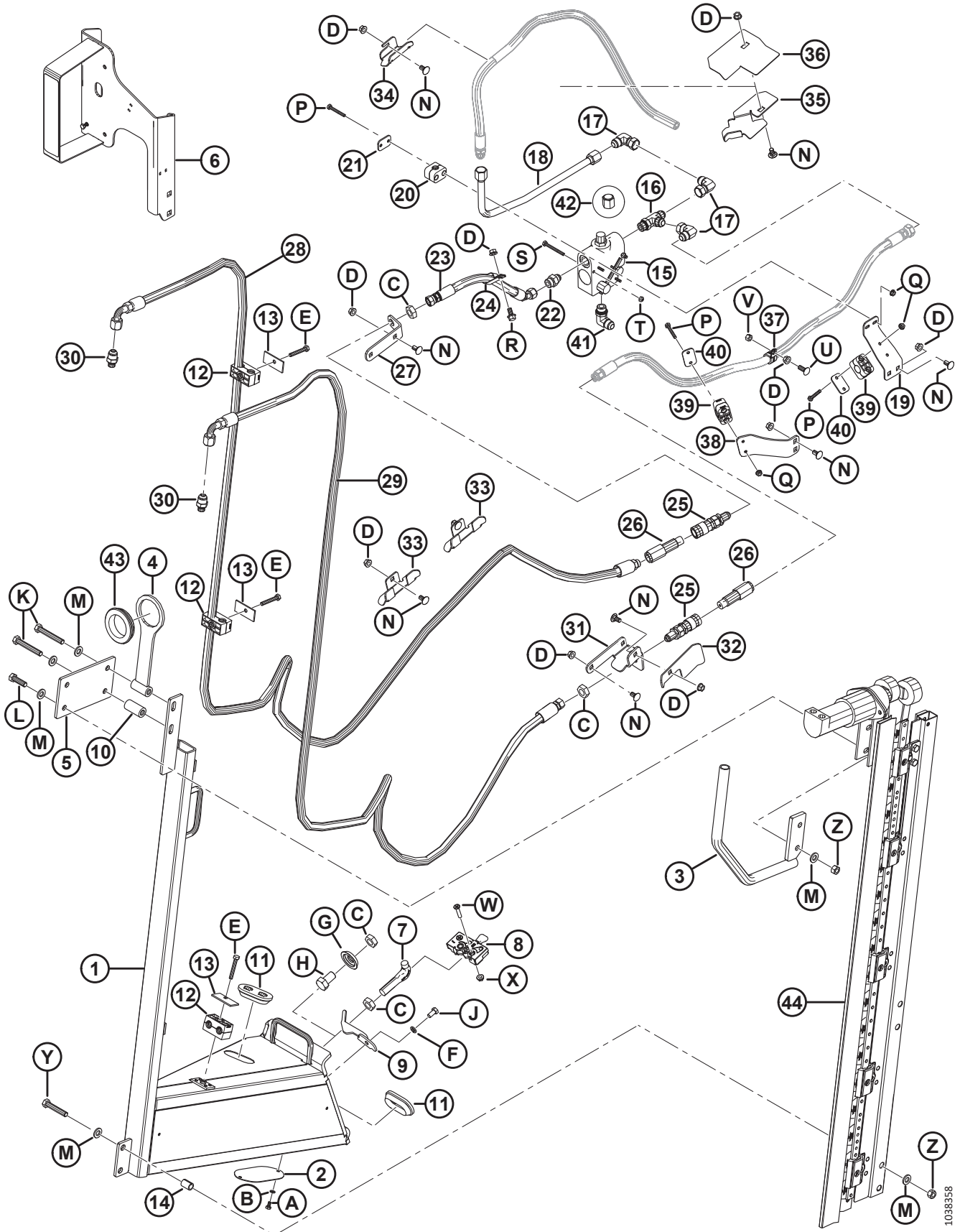
296. Kits available through Whole Goods only.

297. Kit includes two knives. Kits available through Whole Goods only.

298. Includes RH support (NSS), plate (MD #253582), two bolts (MD #21580), two washers (MD #18635), and decal (MD #174684).

299. Faster coupler (MD #135386) is interchangeable with Parker Hannifin coupler (NSS). Seal kit (MD #111978) is only intended for Faster coupler and cannot be used with Parker Hannifin coupler. Length can be used to differentiate the two couplers; Faster coupler = 101 mm and Parker Hannifin coupler = 84 mm.

(OPTION) VERTICAL KNIFE – STANDARD REEL ARM, RIGHT END (2022)



1038358

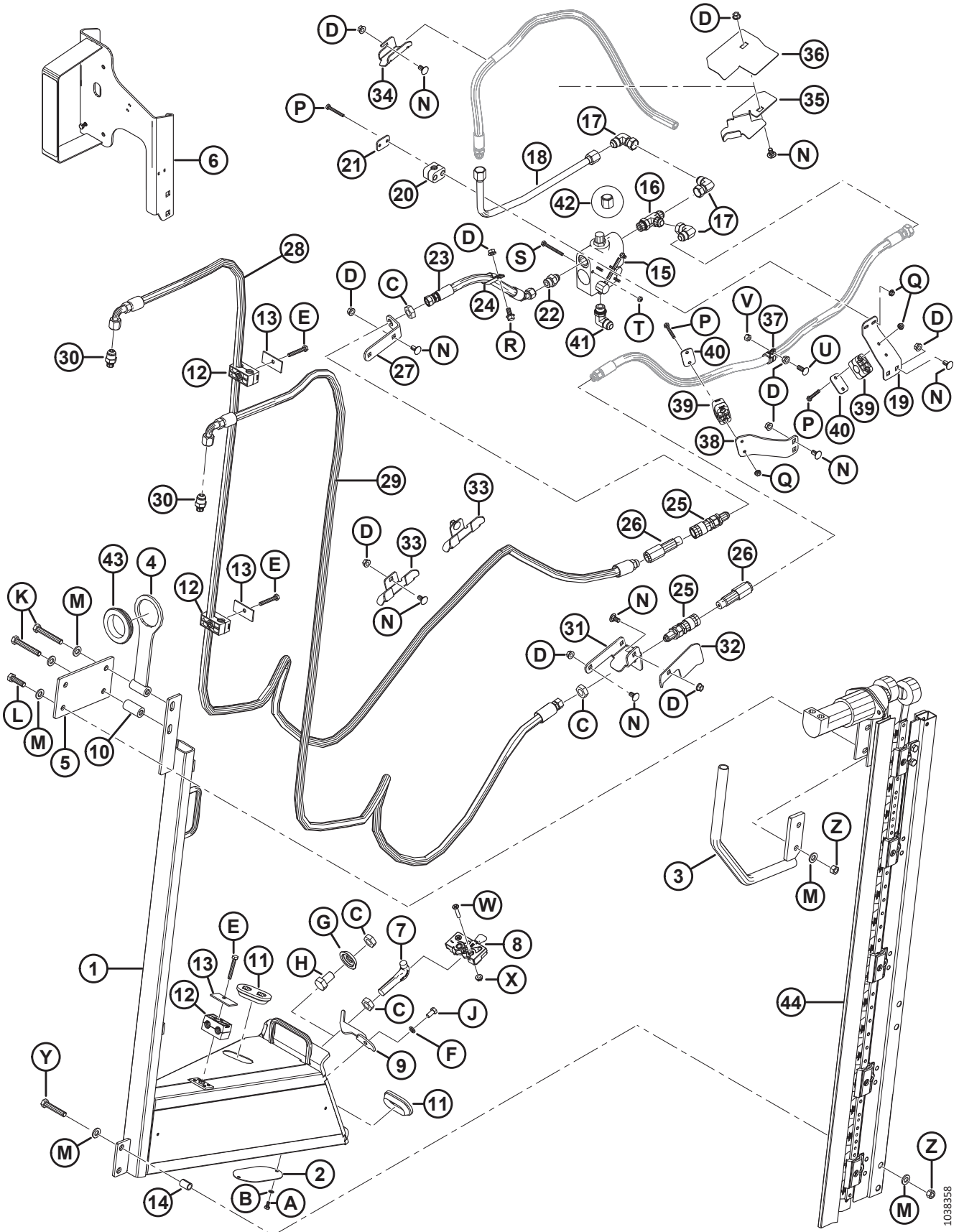
(OPTION) VERTICAL KNIFE – STANDARD REEL ARM, RIGHT END (2022)

Ref	Part Number	Description	Qty	Serial Number
32	279017	DEFLECTOR – RH HOSE	1	421190–
33	245931	SUPPORT – HOSE	2	421190–
34	245956	SUPPORT – HOSE	1	421190–
35	253703	SUPPORT – HOSE, RH	1	421190–
36	253705	GUIDE – HOSE, RH	1	421190–
37	135709	CLAMP – INSULATED 3/4 IN	1	421190–
38	245946	SUPPORT – HOSE CLAMP	1	421190–
39	252368	CLAMP – ASSY	2	421190–
40	255460	PLATE – COVER	2	421190–
41	21843	FITTING – ELBOW 90° HYD	1	421190–
42	112935	CAP – 5/8 IN. TUBE 37° FLARE	1	421190–
43	172877	GROMMET – 2.38" I.D.	1	421190–
44	NSS	ZIEGLER VERTICAL KNIFE <sup>300</sup>		421190–
	294995	HOSE – HYD, 12.5 IN. I.D., 520 MM LG, 100R17 METAL REIN. (NOT ILLUSTRATED) <sup>301</sup>	1	421190–
	50102	FITTING – HYD TEE (NOT ILLUSTRATED) <sup>301</sup>	1	421190–
A	21580	BOLT – HEX HD 1/4 NC X 0.5 LG GR 5 ZP		
B	18635	WASHER – REG. LOCK 1/4 IN. NOM. ID ZP		
C	7674	NUT – HEX JAM 3/4-16 UNF GR 5 ZP		
D	30228	NUT – FLANGE DT SMOOTH FACE 0.375-16 UNC		
E	184655	BOLT – HEX HD M8 X 1.25 X 55-8.8-AA1J		
F	18637	WASHER – REG. LOCK 3/8 IN. NOM. ID ZP		
G	253477	WASHER – VERTICAL KNIFE		
H	21590	BOLT – HH 3/4 NC X 1.25 LG GR 5 ZP		
J	21567	BOLT – HEX HD .375-16 UNC X 0.75 LG		
K	184674	BOLT – HEX HD TFL M12 X 1.75 X 80-8.8-AA1J		
L	184669	BOLT – HEX HD M1 2X 1.75 X 40-8.8-AA1J		
M	30636	WASHER – FLAT NARROW M12-STL-SOFT-AA1J		
N	21472	BOLT – RHSN 3/8-16 X .75-GR5		
P	21570	BOLT – HH 1/4 NC X 2.0 LG GR 5 ZP		
Q	135248	NUT – FLG SMTH FACE 1/4-20 NC GR 5 ZP CTR LK DT THD		
R	21821	BOLT – HH FLG (SERR FACE) 3/8 NC X 0.75 GR 5 ZP		
S	21854	BOLT – HH 1/4 NC X 2.5 LG GR 5 ZP		
T	18724	NUT – HEX LOCK DT 1/4-20 UNC ZP		
U	100456	BOLT – RHSSN 3/8 NC X 1.0 GR 5 ZP		
V	135511	NUT – CENTER LOCK .375-16 UNC GR 5 ZP		
W	30504	SCREW – FLAT CSK MACH 5/16 NC X 1 1/2 LG GR 5 ZP		
X	30280	NUT – FLG SIDE LK SMTH FACE 5/16 NC GR 5 ZP		

300. Not sold separately, can be ordered as a set of two knives (B6410). For service parts, refer to Section [86 \(Option\) Vertical Knife Assembly – Service Parts, page 253](#).

301. For D1XL only. Part is required to make vertical knife bundles (B6608 and B6609) compatible with D1XL Headers.

(OPTION) VERTICAL KNIFE – STANDARD REEL ARM, RIGHT END (2022)

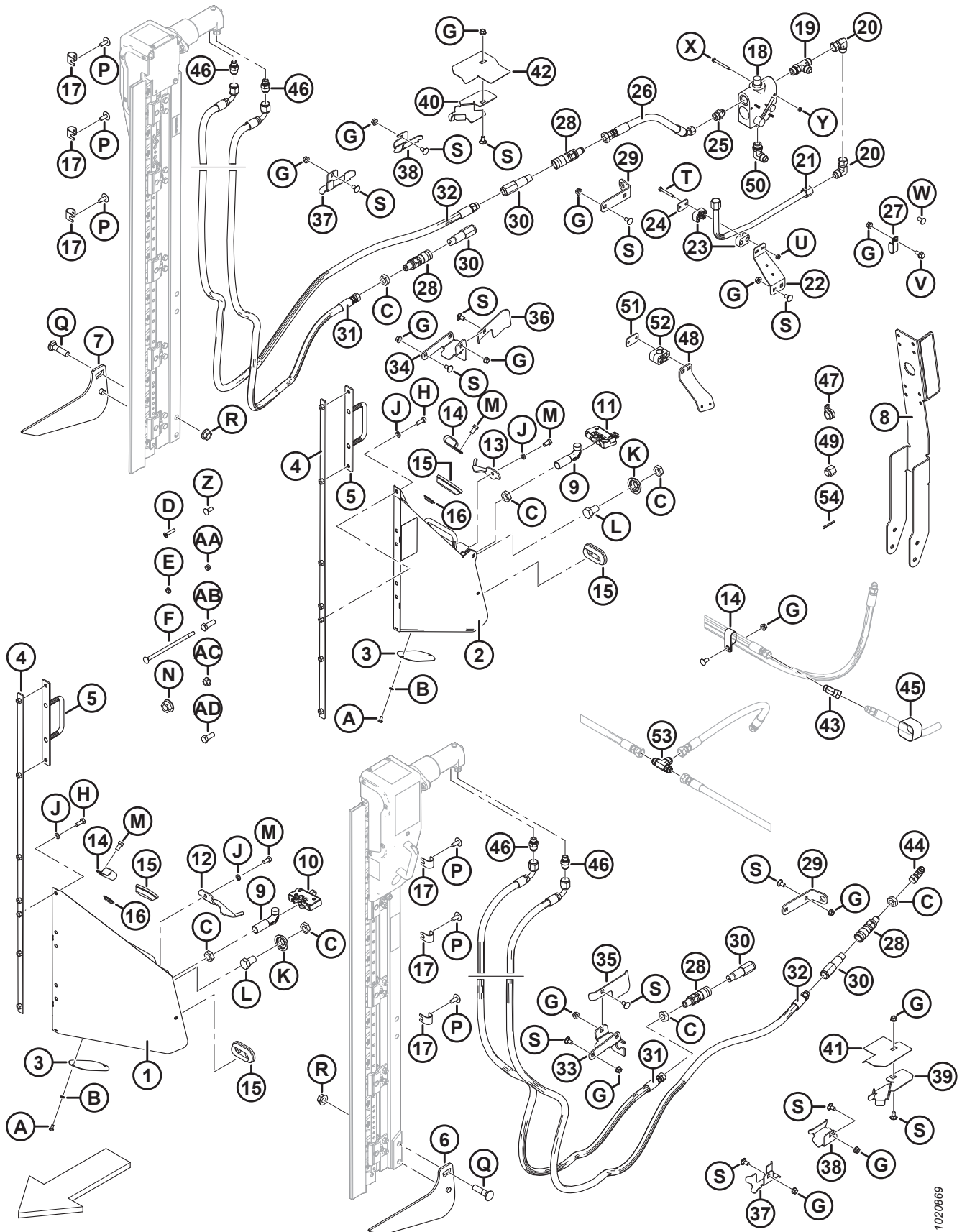


1038358

(OPTION) VERTICAL KNIFE – STANDARD REEL ARM, RIGHT END (2022)

Ref	Part Number	Description	Qty	Serial Number
Y	252541	BOLT – HEX HD TFL M12 X 1.75 X 65-8.8-AA3L		
Z	136759	NUT – HEX CTR LOC M12 X 1.75-8-AA1J		

# 83 (Option) Vertical Knife – Short Reel Arms



1020869



(OPTION) VERTICAL KNIFE – SHORT REEL ARMS

**NOTE:**

Vertical Knife Mounts (B6137 and B6138) are **NOT** compatible with Reel Arm Extension Kit (B6591).

Ref	Part Number	Description	Qty B6137/B6138	Serial Number
	B6137	KIT – VERTICAL KNIFE, LEFT (EXPORT ONLY) <sup>302</sup>	1/0	
	B6138	KIT – VERTICAL KNIFE, RIGHT (EXPORT ONLY) <sup>302</sup>	0/1	
1	253681	SUPPORT ASSEMBLY (LH) <sup>303</sup>	1/0	
2	253680	SUPPORT ASSEMBLY (RH) <sup>303</sup>	0/1	
3	253582	PLATE	1/0	
4	253668	SUPPORT WELDMENT	1/1	
5	253570	SUPPORT WELDMENT	1/1	
6	253708	LIFTER LEFT WELDMENT	1/0	
7	253709	LIFTER RIGHT WELDMENT	0/1	
8	253696	SUPPORT ASSEMBLY <sup>304</sup>	0/1	
9	132773	HOOK – DIVIDER LATCH	1/1	
10	120932	LATCH (LH)	1/0	
11	120933	LATCH (RH)	0/1	
12	132248	LATCH – LH, DIVIDER SAFETY	1/0	
13	132253	LATCH – RH, DIVIDER SAFETY	0/1	
14	103738	CLAMP – PVC INSULATED 13/16 IN. TUBE SIZE	1/7	
15	165103	GROMMET	2/2	
16	253678	PLUG	3/3	
17	279798	SUPPORT	6/6	
18	174422	VALVE <sup>305</sup>	0/1	
	30054	SEAL KIT		
19	50019	FITTING – TEE HYD STR THD RUN TEE CW O-RING	0/1	
20	30556	FITTING – ELBOW 90° HYD	0/3	
21	255471	LINE – HYDRAULIC	0/1	
22	279001	SUPPORT – HOSE CLAMP	0/1	
23	252399	CLAMP – ASSY	0/1	
24	255461	PLATE – COVER	0/1	
25	21881	FITTING – ADAPTER HYD	0/1	
26	255462	HOSE – HYD	0/1	
27	135235	CLAMP – DOUBLE HOSE INSULATED	0/1	
28	135213	COUPLING – FEMALE HYD. 3/8 FLAT FACE BULKHEAD	2/2	
29	245915	SUPPORT – HOSE COUPLER	1/1	

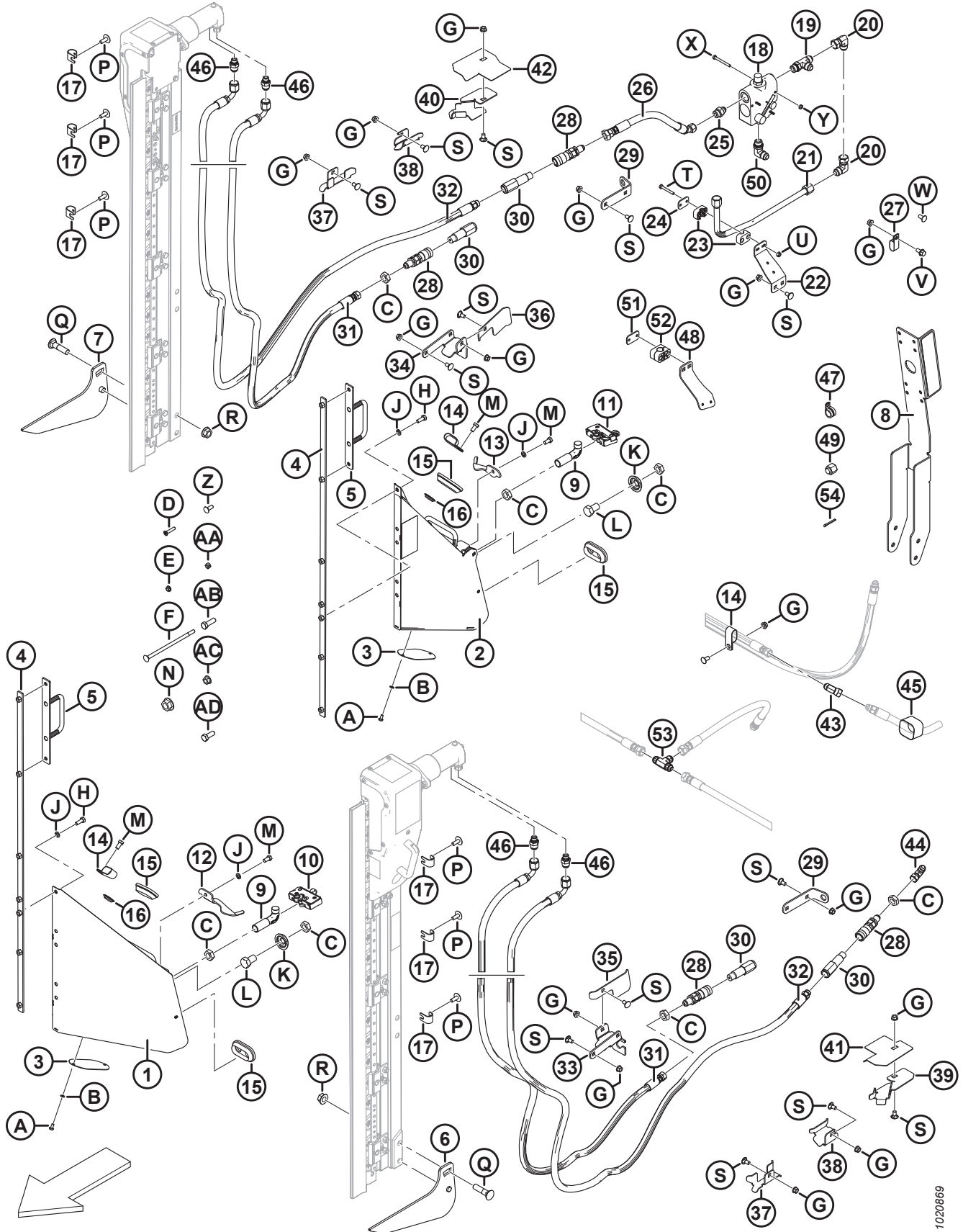
302. Additional hose kit is required to install left and right vertical knife. For vertical knife hose kits, refer to Section 85 *(Option) Vertical Knife Hose Kits – Standard and Short Reel Arms, Double Reel, page 251*. Kits available through Whole Goods only.

303. Includes plate (MD #253582), bolt (MD #21580), washer (MD #18635), and decal (MD #174684).

304. Includes reflector (MD #115147).

305. Includes seal kit (MD #30054).

(OPTION) VERTICAL KNIFE – SHORT REEL ARMS



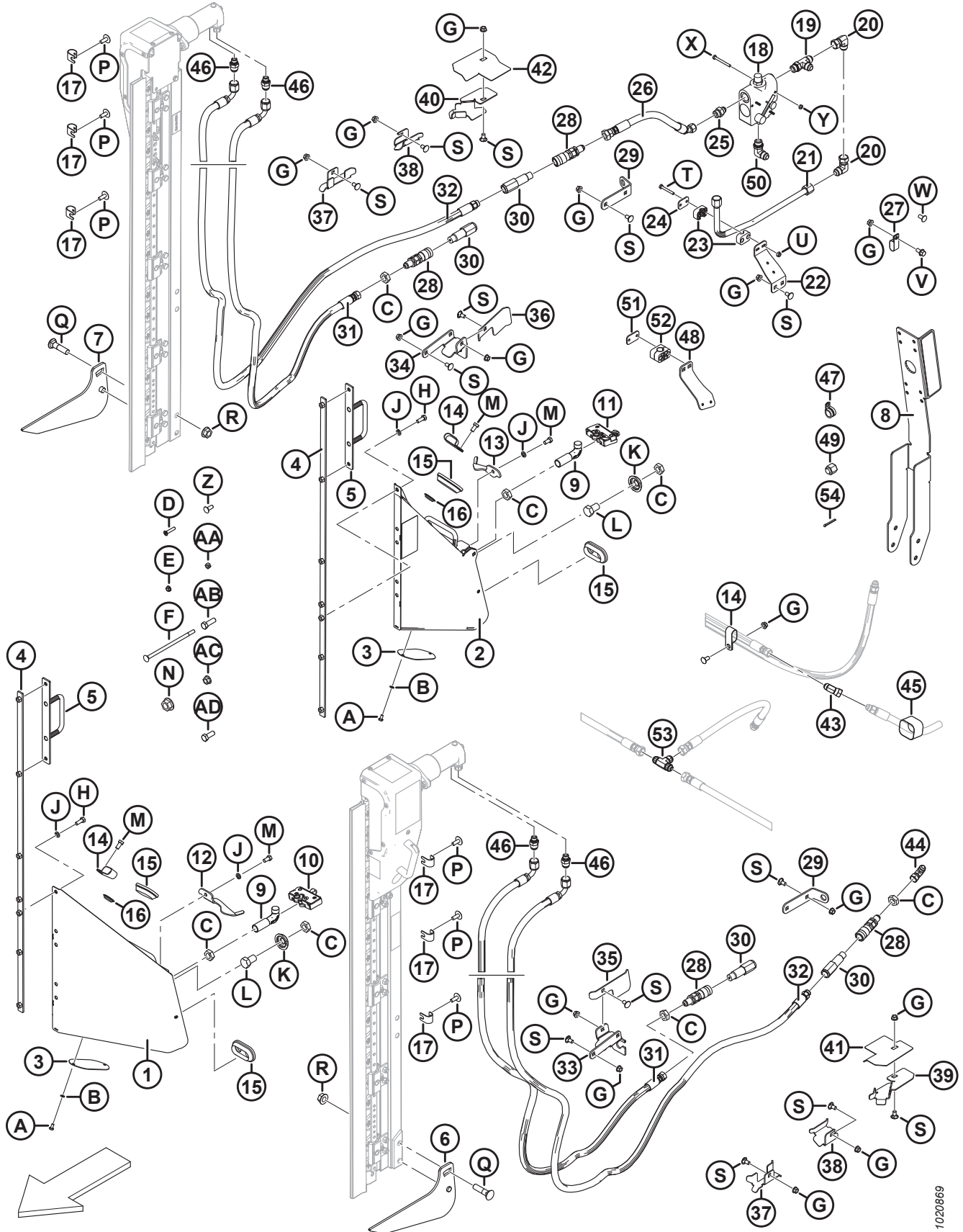
1020669

(OPTION) VERTICAL KNIFE – SHORT REEL ARMS

Ref	Part Number	Description	Qty B6137/B6138	Serial Number
30	135386	COUPLER – MALE HYD. 3/8 IN. FLAT FACE (FASTER) <sup>306</sup>	2/2	
	111978	SEAL KIT – 3/8 MALE (FASTER ONLY)		
31	255509	HOSE – HYD	1/1	
32	255510	HOSE – HYD	1/1	
33	245928	SUPPORT – LH COUPLER	1/0	
34	245955	SUPPORT – RH COUPLER	0/1	
35	245936	DEFLECTOR – LH HOSE	1/0	
36	279017	DEFLECTOR – RH HOSE	0/1	
37	245931	SUPPORT – HOSE	1/2	
38	245956	SUPPORT – HOSE	1/1	
39	253702	SUPPORT – HOSE, LH	1/0	
40	253703	SUPPORT – HOSE, RH	0/1	
41	253704	GUIDE – HOSE, LH	1/0	
42	253705	GUIDE – HOSE, RH	0/1	
43	135685	FITTING – ELBOW 45° HYD	0/1	
44	30314	FITTING – ELBOW 90° HYD	1/0	
45	135443	FASTENER – CINCH STRAP 4 IN. LG	0/3	
46	252296	FITTING – ADAPTER-10 JIC X-6 BSPP	2/2	
47	135709	CLAMP – INSULATED 3/4 IN.	0/1	
48	245946	SUPPORT – HOSE CLAMP	0/1	
49	112935	CAP – 5/8 IN. TUBE 37 DEG FLARE	0/1	
50	21843	FITTING – ELBOW 90° HYD	0/1	
51	255460	PLATE – COVER	0/2	
52	252368	CLAMP – ASSY	0/2	
53	30551	FITTING – TEE HYD	0/1	
54	18607	PIN – COTTER 5/32 DIA X 1.5 ZP	0/1	
A	21580	BOLT – HEX HD 1/4 NC X 0.5 LG GR 5 ZP		
B	18635	WASHER – REG. LOCK 1/4 IN. NOM. I.D. ZP		
C	7674	NUT – HEX JAM 3/4-16 UNF GR 5 ZP		
D	30504	SCREW – FLAT CSK MACH 5/16 NC X 1-1/2 LG GR 5 ZP		
E	30280	NUT – FLG SIDE LK SMTH FACE 5/16 NC GR 5 ZP		
F	135665	BOLT – RHSN 3/8-16 X 8-GR5-ZP		
G	30228	NUT – FLG DT SMTH FACE 0.375-16 UNC		
H	20077	BOLT – HEX HD 3/8 NC X 1.0 LG GR 5 ZP		
J	18637	WASHER – REG. LOCK 3/8 IN. NOM. I.D. ZP		
K	253477	WASHER – VERTICAL KNIFE		
L	21590	BOLT – HH 3/4 NC X 1.25 LG GR 5 ZP		

306. Faster coupler (MD #135386) is interchangeable with Parker Hannifin coupler (NSS). Seal kit (MD #111978) is only intended for Faster coupler and cannot be used with Parker Hannifin coupler. Length can be used to differentiate the two couplers; Faster coupler = 101 mm and Parker Hannifin coupler = 84 mm.

(OPTION) VERTICAL KNIFE – SHORT REEL ARMS

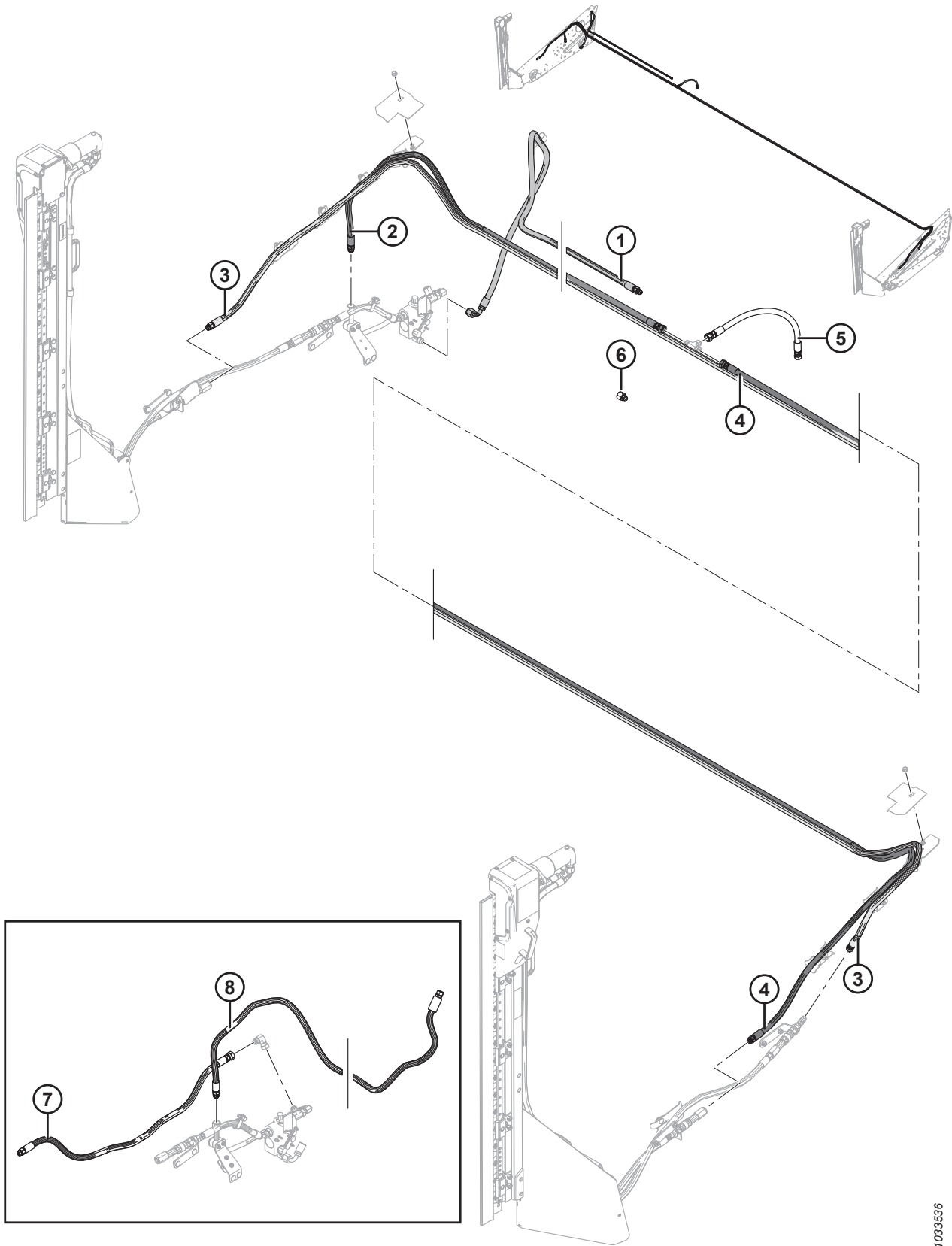


1020669

(OPTION) VERTICAL KNIFE – SHORT REEL ARMS

Ref	Part Number	Description	Qty B6137/B6138	Serial Number
M	21567	BOLT – HEX HD .375-16 UNC X 0.75 LG		
N	135367	NUT – FLANGE DT SMTH FACE 0.75-10 UNC GR. G		
P	135507	SCREW – MACHINE, TRUSS HD TORX, 38 NC X 1 LG		
Q	30759	BOLT – RHSSN 5/8 NC X 2.5 LG GR 5 ZP		
R	50225	NUT – FLANGE DT SMOOTH FACE .625-11 UNC		
S	21472	BOLT – RHSN 3/8-16 X .75-GR5		
T	21570	BOLT – HH 1/4 NC X 2.0 LG GR 5 ZP		
U	135248	NUT – FLG SMTH FACE 1/4-20 NC GR 5 ZP CTR LK DT		
V	21821	BOLT – HH FLG (SER FACE) 3/8 NC X 0.75 GR 5 ZP		
W	21863	BOLT – RHSSN 3/8 NC X 0.75 LG GR 5 ZP		
X	21854	BOLT – HH 1/4 NC X 2.5 LG GR 5 ZP		
Y	18724	NUT – HEX LOCK DT 1/4-20 UNC ZP		
Z	100456	BOLT – RHSSN 3/8 NC X 1.0 GR 5 ZP		
AA	135511	NUT – CENTER LOCK .375-16 UNC GR 5 ZP		
AB	18723	BOLT – HH 1/2 NC X 1.5 LG TFL GR 5 ZP		
AC	50186	NUT – FLG LK SM FACE DT 0.500-13 UNC GR 5		
AD	21491	BOLT – HH 1/2 NC X 1.25 LG GR 5 ZP		

# 84 (Option) Vertical Knife Hose Kits – Standard and Short Reel Arms, Single Reel



(OPTION) VERTICAL KNIFE HOSE KITS – STANDARD AND SHORT REEL ARMS, SINGLE REEL

**NOTE:**

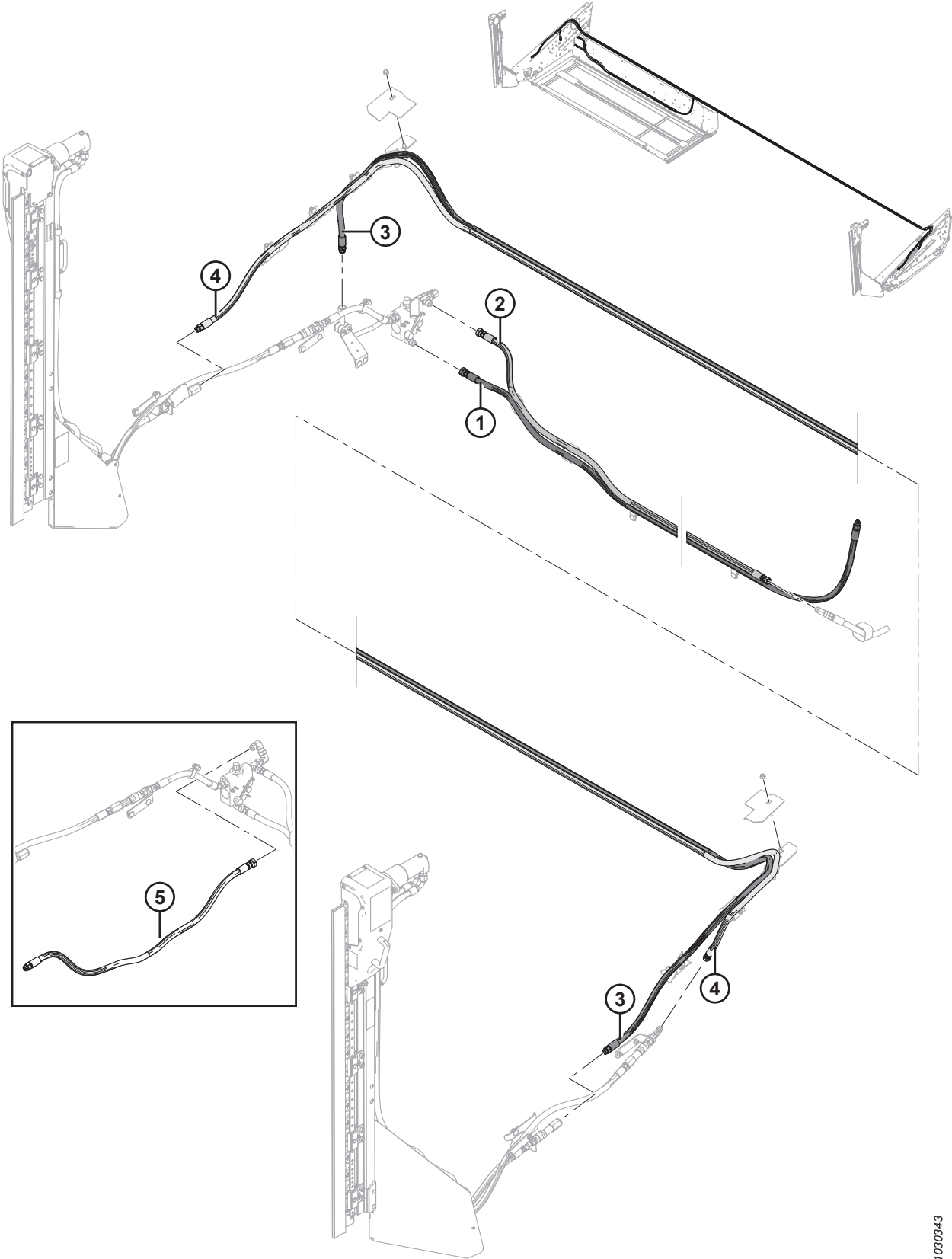
Hose kits to be used in conjunction with vertical knife kits B6137 and B6138 (short reel arms), or B6608 and B6609 (standard reel arms).

Ref	Part Number	Description	Qty	Serial Number
	B6265	KIT – DBL VERTICAL KNIFE HOSE (25 FT RIGID/FLEX, SR) <sup>307</sup>	1	
1	255947	HOSE – HYDRAULIC	1	
2	255574	HOSE – HYDRAULIC (25 FT, SR)	1	
3	255577	HOSE – HYDRAULIC (25 FT, SR)	1	
4	255580	HOSE – HYDRAULIC (25 FT, SR)	1	
5	255497	HOSE – HYDRAULIC	1	
6	30820	FITTING – ADAPTER REDUCER (25 FT FLEX, SR)	1	
7	255465	HOSE – HYDRAULIC (SINGLE VERTICAL KNIFE ONLY) <sup>308</sup>	A/R	
8	255583	HOSE – HYDRAULIC (25 FT, SR, SINGLE VERTICAL KNIFE ONLY) <sup>308</sup>	A/R	

307. Kits available through Whole Goods only.

308. Not included in vertical knife hose kits. Hose is used when mounting the right vertical knife by itself.

# 85 (Option) Vertical Knife Hose Kits – Standard and Short Reel Arms, Double Reel





**(OPTION) VERTICAL KNIFE HOSE KITS – STANDARD AND SHORT REEL ARMS, DOUBLE REEL**

**NOTE:**

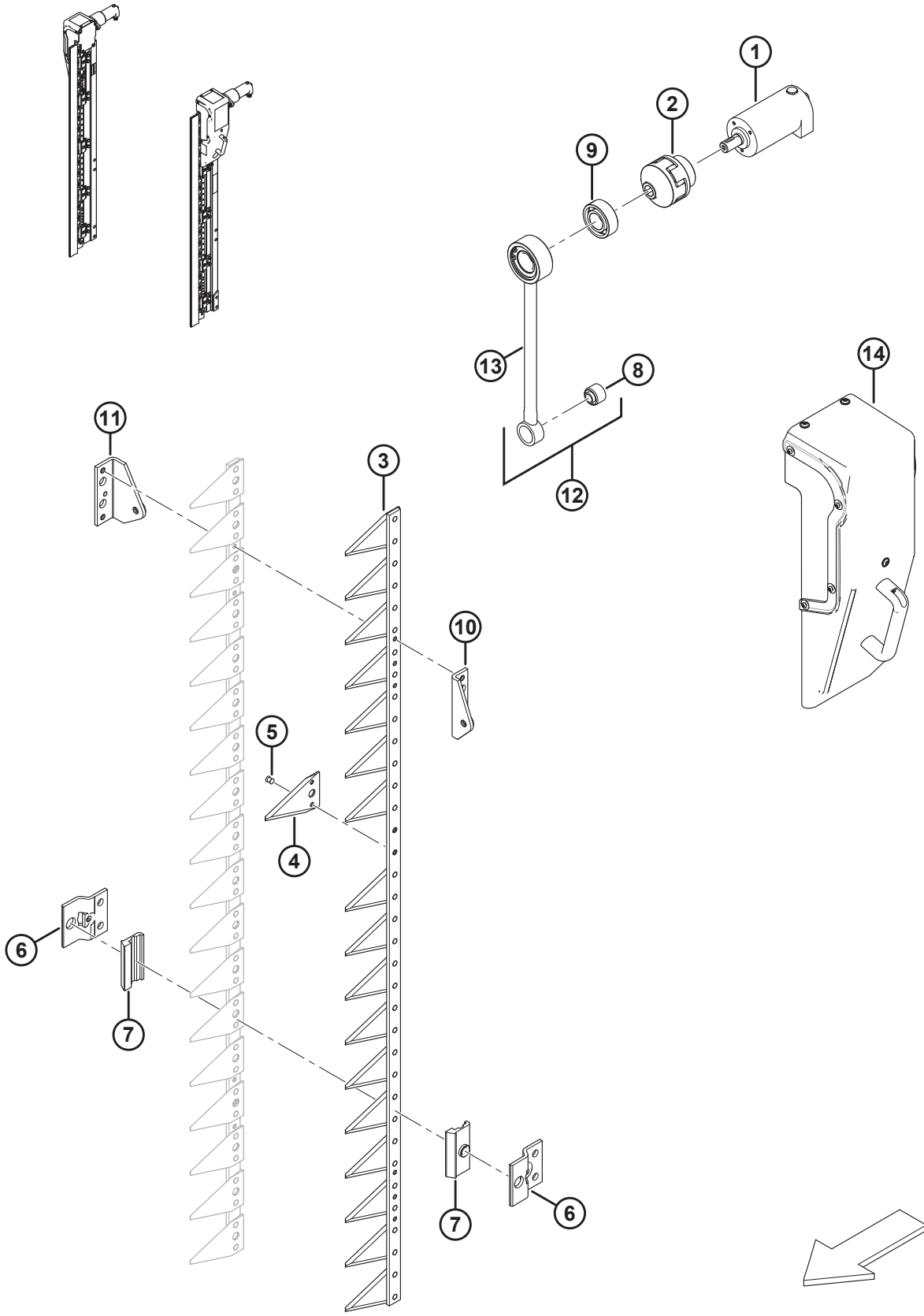
Hose kits to be used in conjunction with Vertical Knife kits B6137 and B6138 (short reel arms), or B6608 and B6609 (standard reel arms).

Ref	Part Number	Description	Qty	Serial Number
	B6247	KIT – DOUBLE VERTICAL KNIFE HOSE (30 FT FLEX) <sup>309</sup>		
	B6248	KIT – DOUBLE VERTICAL KNIFE HOSE (35 FT FLEX) <sup>309</sup>		
	B6249	KIT – DOUBLE VERTICAL KNIFE HOSE (40 FT FLEX) <sup>309</sup>		
	B6250	KIT – DOUBLE VERTICAL KNIFE HOSE (45 FT FLEX) <sup>309</sup>		
1	255477	HOSE – HYD (30 FT FLEX)	1	
	255534	HOSE – HYD (35 FT FLEX)	1	
	255535	HOSE – HYD (40 FT FLEX)	1	
	255536	HOSE – HYD (45 FT FLEX)	1	
2	255476	HOSE – HYD (30 FT FLEX)	1	
	255537	HOSE – HYD (35 FT FLEX)	1	
	255538	HOSE – HYD (40 FT FLEX)	1	
	255539	HOSE – HYD (45 FT FLEX)	1	
3	255540	HOSE – HYD (30 FT FLEX)	1	
	255541	HOSE – HYD (35 FT FLEX)	1	
	255542	HOSE – HYD (40 FT FLEX)	1	
	255543	HOSE – HYD (45 FT FLEX)	1	
4	255544	HOSE – HYD (30 FT FLEX)	1	
	255545	HOSE – HYD (35 FT FLEX)	1	
	255546	HOSE – HYD (40 FT FLEX)	1	
	255547	HOSE – HYD (45 FT FLEX)	1	
5	255465	HOSE – HYDRAULIC (SINGLE VERTICAL KNIFE ONLY) <sup>310</sup>	A/R	

309. Kit provides hoses required to install left and right vertical knife on specified header with short reel arms. For left and right vertical knife mounts, refer to Section *83 (Option) Vertical Knife – Short Reel Arms, page 243*. Kits available through Whole Goods only.

310. Not included in vertical knife hose kits. Hose is used when mounting the right vertical knife by itself.

# 86 (Option) Vertical Knife Assembly – Service Parts



(OPTION) VERTICAL KNIFE ASSEMBLY – SERVICE PARTS

**NOTE:**

All parts listed are for service only. Vertical Knives can be ordered as a set of two knives (B6410).

Ref	Part Number	Description	Qty	Serial Number
1	304611	HYDRAULIC MOTOR		
2	304612	COUPLING – ELASTIC SHAFT		
3	304614	ASSEMBLY – KNIFE <sup>311</sup>		
4	304615	SECTION – KNIFE		
5	304616	RIVET		
6	304617	HOLDER – KNIFE		
7	304618	PLATE – GUIDE		
8	304619	BUSHING – RUBBER METAL		
9	304620	BEARING – SELF-ALIGNING		
10	304621	HEAD – KNIFE FRONT		
11	304622	HEAD – KNIFE REAR		
12	304623	ASSEMBLY – CONNECTING ROD <sup>312</sup>		
13	304624	ROD – CONNECTING		
14	304625	GUARD – LEFT/RIGHT CRANK <sup>313</sup>		

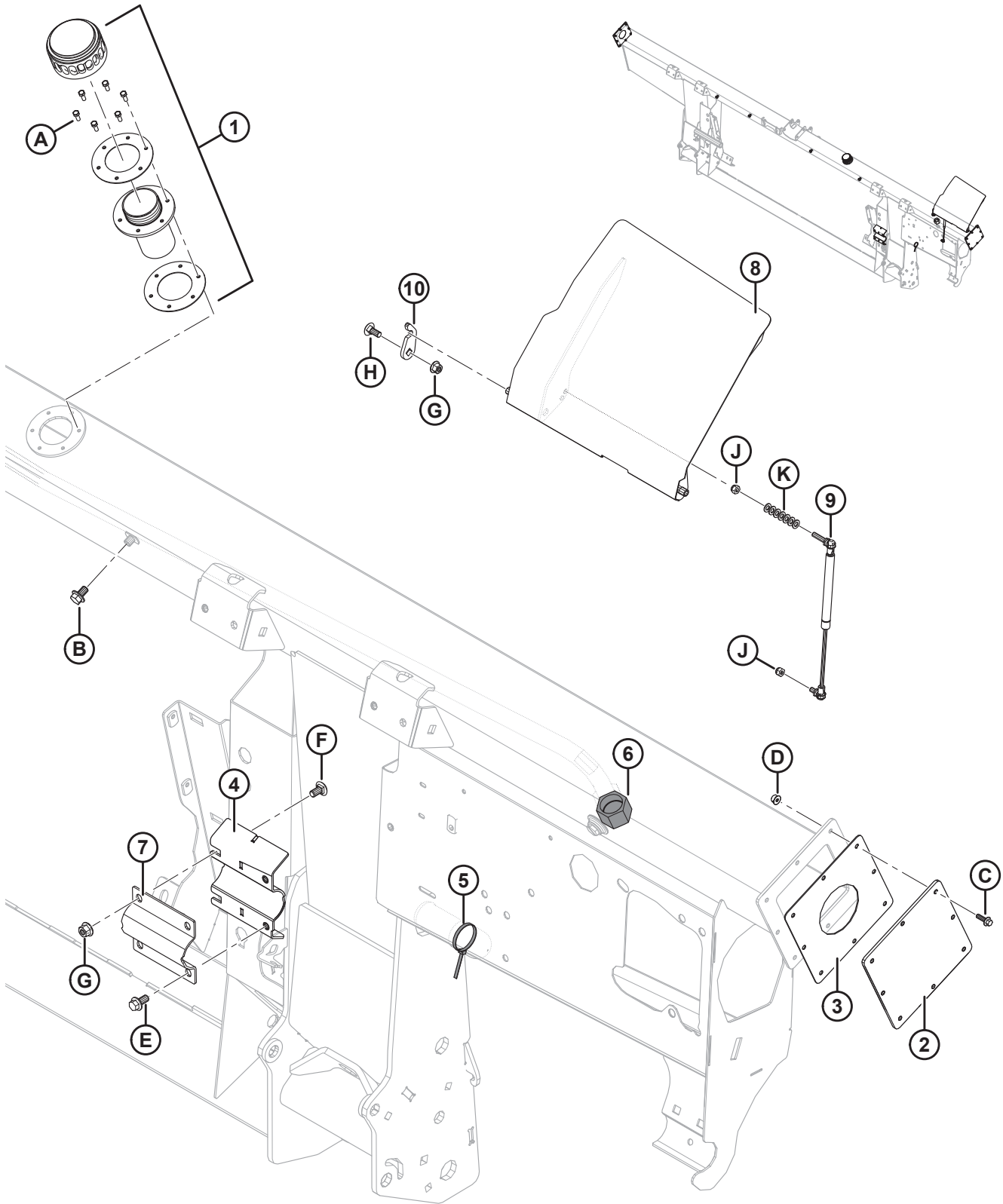
---

311. Includes knife sections (MD #304615) and rivets (MD #304616).

312. Includes connecting rod (MD #304624) and bushing (MD #304619).

313. Includes a front plate, which is shipped in the left guard configuration. If the guard will be used on the right knife, the plate must be moved to the opposite side of the guard.

# 87 Float Module Frame and Components



**FLOAT MODULE FRAME AND COMPONENTS**

Ref	Part Number	Description	Qty	Serial Number
1	133942	CAP – OIL FILLER <sup>314</sup>	1	
	312706	KIT – OIL FILL GASKETS <sup>315</sup>	1	
2	240101	PLATE – END COVER <sup>316</sup>	2	-371189
3	187112	GASKET <sup>316</sup>	2	-371189
4	248757	BRACKET – SUB WELDT (WELDED TO FRAME)	1	
5	21763	FASTENER – CABLE TIE (BLACK)	1	
6	135718	CAP – HYD SAE-16 ORFS	1	
7	248756	CLAMP – AUGER PIVOT	1	
8	304325	COVER – C/W DECAL	1	
9	295981	GAS SPRING	1	
10	213764	RETAINER – COVER	1	
A	320397	SCREW – HEX HD TFL M5 X 0.8 X 12-8.8-PLAIN (2022 AND LATER) <sup>317</sup>		421190–
	135873	SCREW – MACH #10-32 X 0.5 IN. HEX (2021 AND PRIOR) <sup>317</sup>		-421189
B	REF	BOLT – HEX FLG HD TFL M10 X 1.5 X 16-8.8-A3L <sup>318</sup>		
C	136324	BOLT – HEX FLG HD TFL M6 X 1 X 20-10.9-A2L		
D	152668	NUT – HEX FLG CTR LOC M6 X 1-8-A2L		
E	152655	BOLT – HEX FLG HD M10 X 1.5 X 20-8.8-A3L		
F	184657	BOLT – RHSSN M10 X 1.5 X 20-8.8-A3L		
G	135799	NUT – HEX FLG CTR LOC M10 X 1.5-10-A3L		
H	135785	BOLT – RHSN M10 X 1.5 X 25-8.8-A3L		
J	184688	NUT – HEX NYLOC M8 X 1.25-8-A2L		
K	184708	WASHER – FLAT M8-200HV-AA1J		

314. Remove cap and gasket covering fill hole during shipping (not shown). Retain six screws (MD #135873). Replace with oil filler cap (MD #133942) which comes complete with oil cap, filler neck, and gaskets. Use six screws saved from shipping cap to attach oil filler cap to frame. Oil filler cap comes shipped with frame or can be ordered as a replacement.

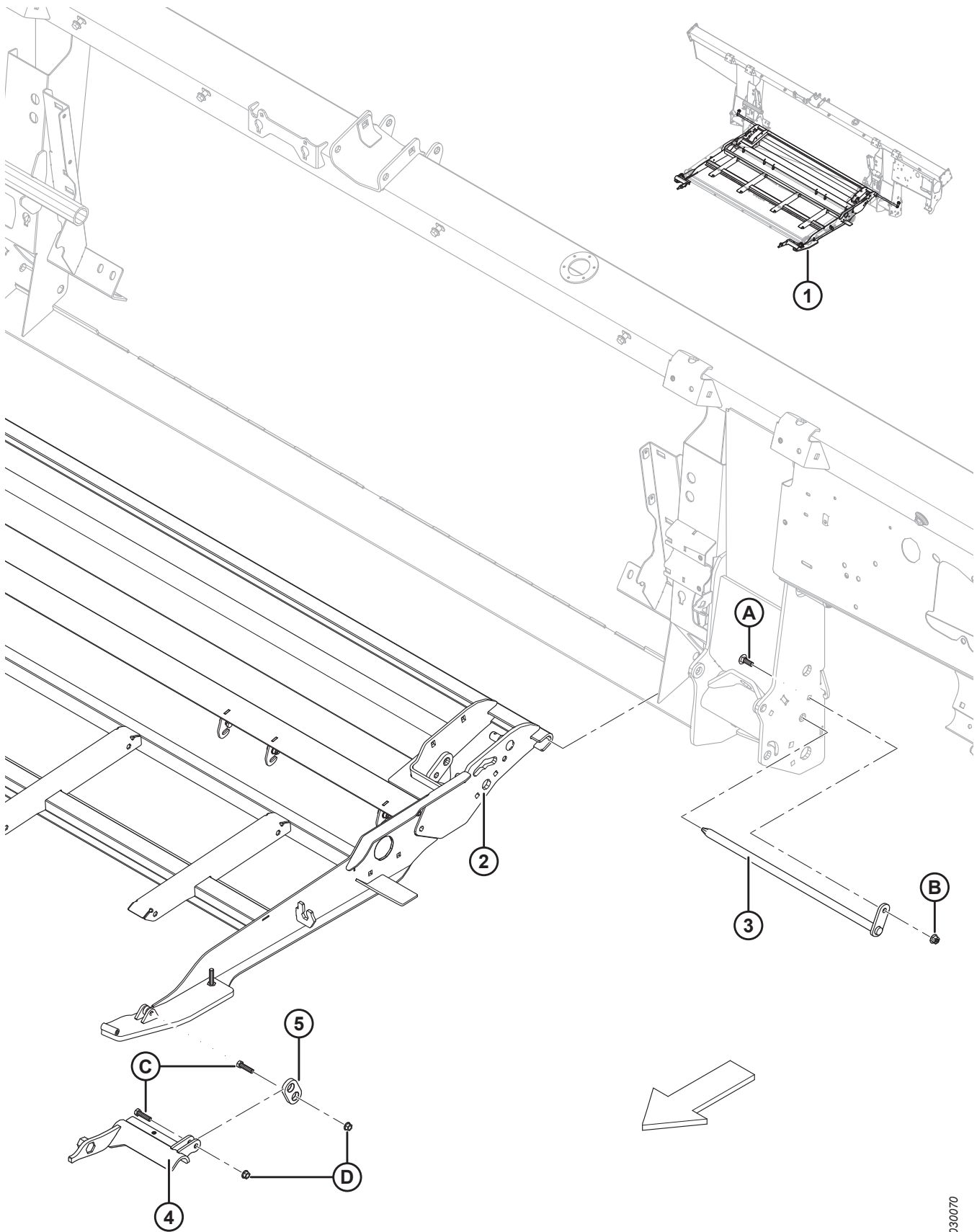
315. Includes two gaskets.

316. Service part only for units made in model year 2019 and prior.

317. Comes with the cap and gasket that cover the fill hole during shipping. Can be ordered separately if needed as a replacement.

318. Refer to Section *107 Hydraulics – Frame Components, page 315*.

# 88 Feed Deck – Frame, Front Links, and Pivot Pins



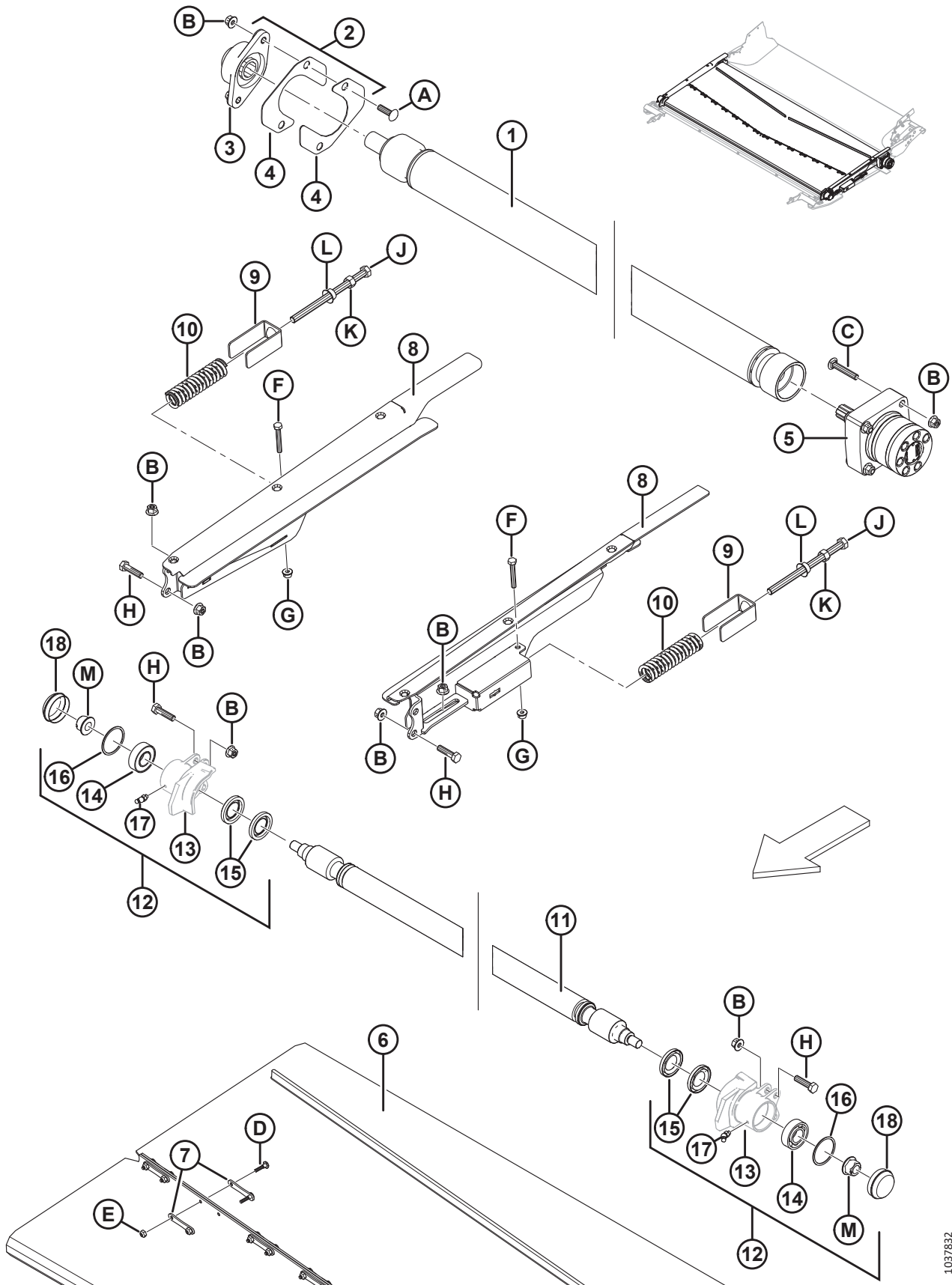
**FEED DECK – FRAME, FRONT LINKS, AND PIVOT PINS**

<b>Ref</b>	<b>Part Number</b>	<b>Description</b>	<b>Qty</b>	<b>Serial Number</b>
1	335286	ASSEMBLY – FEED DECK <sup>319</sup>		
2	287760	CARRIER – FEED DECK	1	
3	231368	PIN – DECK PIVOT WELDT	2	
4	213418	SUPPORT – LH ADAPTER LINK MACH	1	
	213419	SUPPORT – RH ADAPTER LINK MACH	1	
5	187732	LINK – HOOK ASSY	2	
A	184662	BOLT – RHSN TFL M10 X 1.5 X 30-8.8-A3L		
B	135799	NUT – HEX FLG CTR LOC M10 X 1.5-10-A3L		
C	20078	BOLT – HH 3/8 NC X 1.75 LG GR 5 ZP		
D	30228	NUT – FLANGE DT SMTH FACE 0.375-16 UNC		

---

319. Complete assembly, includes all listed parts from this section (except #3 and A-B) as well as Sections *89 Feed Deck – Draper Drive and Rollers, page 259* and *90 Feed Deck – Pans and Fillers, page 263*.

# 89 Feed Deck – Draper Drive and Rollers



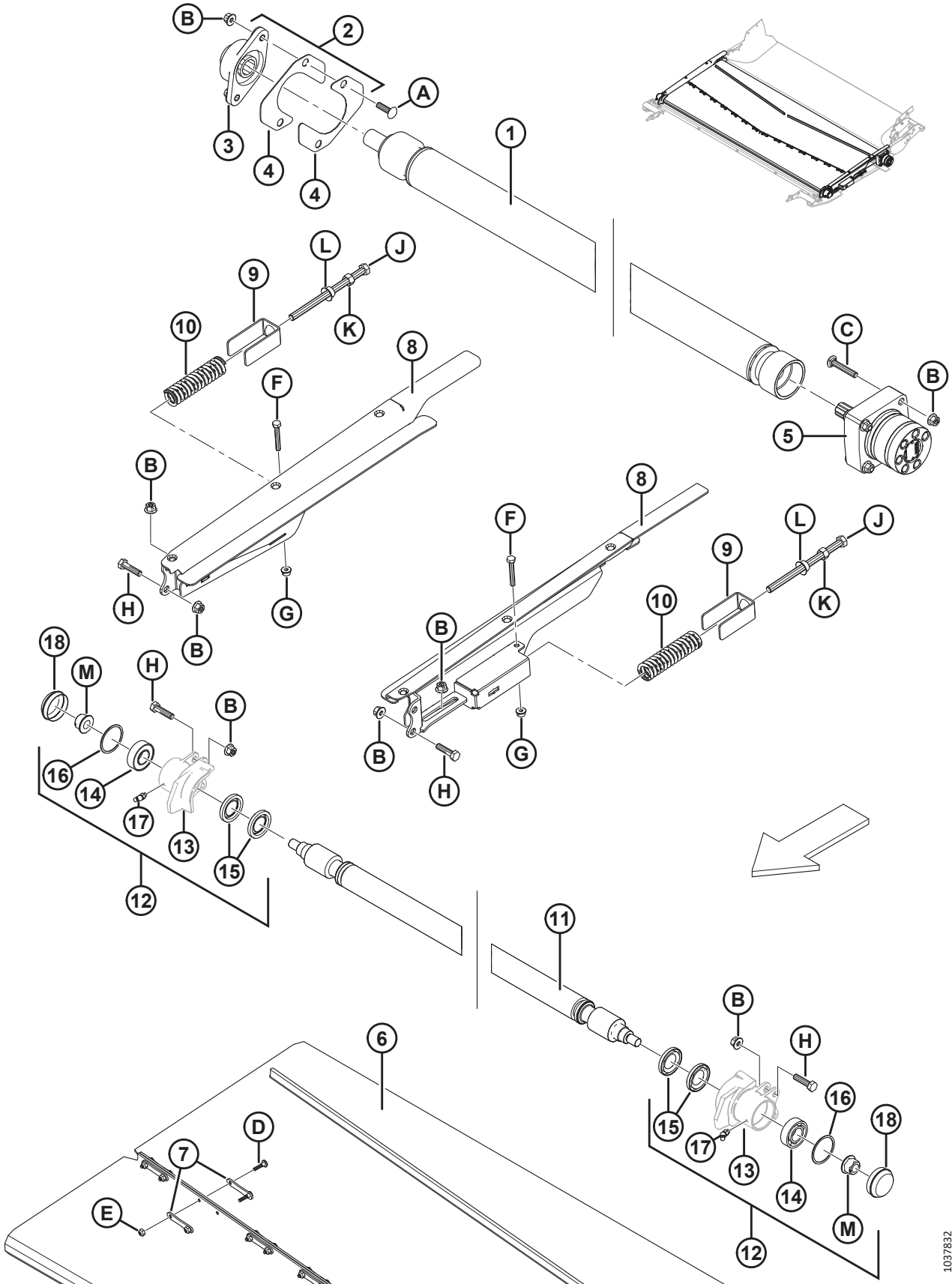


**FEED DECK – DRAPER DRIVE AND ROLLERS**

Ref	Part Number	Description	Qty	Serial Number
1	335637	KIT – ROLLER SERVICE <sup>320</sup>	1	
2	347565	KIT – FM100 DRIVE COVER <sup>321</sup>		
3	347487	HOUSING – FL206 AND BEARING <sup>322</sup>	1	
4	347339	COVER – DRIVE ROLLER FM100	2	
5	245122	MOTOR – HYD <sup>323</sup>	1	
	245316	SEAL KIT		
	304748	KIT – FEED DRAPER MOTOR SHIM	A/R	
6	304454	DRAPER – 1988 MM (78.3 IN.) W X 1712 MM LG	1	
7	130283	STRAP – DRAPER CONN	28	
8	335173	SUPPORT – IDLER ADJ WELDT LH	1	
	335171	SUPPORT – IDLER ADJ WELDT RH	1	
9	213734	RETAINER – SPRING	2	
10	287587	SPRING – COMPRESSION	2	
11	231647	ROLLER – IDLER WELDT	1	
12	<b>368459</b>	<b>KIT – LH IDLER CUP WITH INSTRUCTION</b> <sup>324</sup>	<b>1</b>	
	<b>368458</b>	<b>KIT – RH IDLER CUP WITH INSTRUCTION</b> <sup>325</sup>	<b>1</b>	
13	NSS	HOUSING – MACH IDLER CUP LH	1	
	NSS	HOUSING – MACH IDLER CUP RH	1	
14	<b>368457</b>	<b>KIT – BEARING WITH INSTRUCTION</b> <sup>326</sup>	<b>2</b>	
15	100862	SEAL – OIL	4	
16	118011	RING – RETAINING INTERNAL	2	
17	21301	FITTING – LUBRICATION	2	
18	133372	CAP – DUST	2	
A	136248	BOLT – RHSSN TFL M10 X 1.5 X 35-8.8-A3L		
B	135799	NUT – HEX FLG CTR LOC M10 X 1.5-10-A3L		
C	252701	BOLT – RHSSN TFL M10 X 1.5 X 60-8.8-A3L		
D	135630	SCREW – BHRN #12-24 NC X 0.920 IN. LG (50 PACK)		
E	135626	NUT – CSK CENTER LOCK #12-24 NC (50 PACK)		
F	184655	BOLT – HEX HD M8 X 1.25 X 55-8.8-A2L		
G	135337	NUT – HEX FLG CTR LOC M8 X 1.25-8-A2L		
H	135319	BOLT – HEX HD M10 X 1.5 X 40-8.8-A3L		

320. Kit includes drive roller and two drive roller covers (MD #347339). Roller alignment must be checked and feed draper motor shim kit (MD #304748) installed if required.
321. Kit includes two covers (MD #347339), cam latch washer (MD #273304), and FL206 housing and bearing (MD #347487). Procedure change when installing covers, contact your Dealer.
322. Housing (MD 347487) will not work without covers (MD #347339) and cam latch washer (MD #273304). If replacing superseded bearing housing (MD #335178), order FM100 Drive Cover kit (MD #347565).
323. Roller alignment must be checked and feed draper motor shim kit (MD #304748) installed if required. Misalignment of the feed draper drive motor and drive roller causes stress in the motor shaft and roller bore, leading to premature wear and failure. The kit provides the required shims when replacing a failed feed draper drive motor or driver roller, or to correct misalignment between the drive motor and drive roller. See instruction MD #215035 for installation. Includes eight 0.6 mm shims (NSS), eight 0.4 mm shims (NSS), 4 flange nuts (MD #21452), and 4 hex nuts (MD #135927).
324. Kit includes left hand idler cup assembly housing (MD #287885).
325. Kit includes right hand idler cup assembly housing (MD #287883).
326. Kit includes 52 mm O.D., 25 mm I.D. ball cylinder bearing (MD #118185).

FEED DECK – DRAPER DRIVE AND ROLLERS

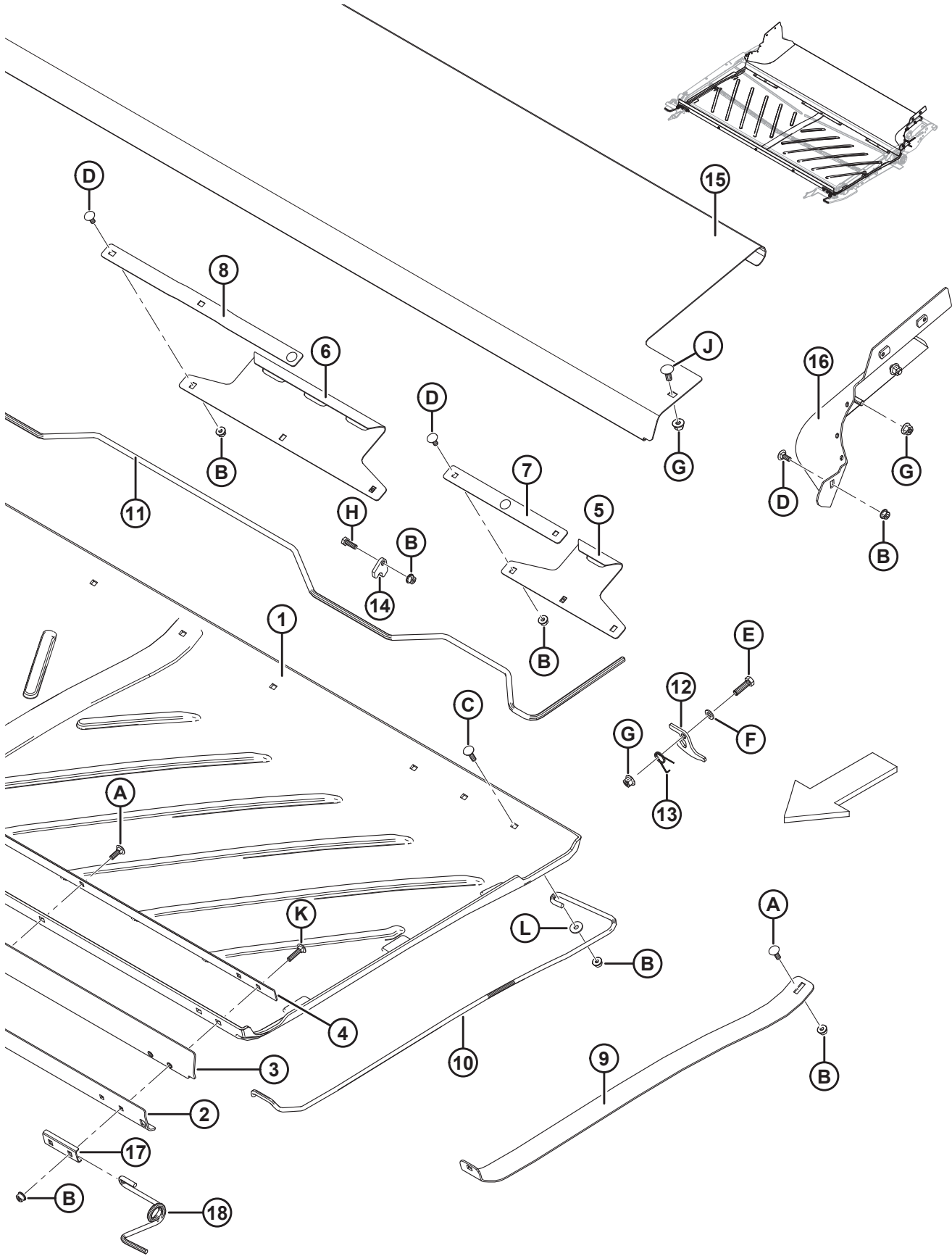


1037832

FEED DECK – DRAPER DRIVE AND ROLLERS

Ref	Part Number	Description	Qty	Serial Number
J	252272	BOLT – HEX HD TFL M12 X 1.75 X 180		
K	184694	NUT – HEX M12 X 1.75-8-A3L		
L	136036	NUT – HEX SMTH FLG M12 X 1.75-8-A3L		
M	152520	NUT – HEX FLG TECH LOC M16 X 2-10-A3L		

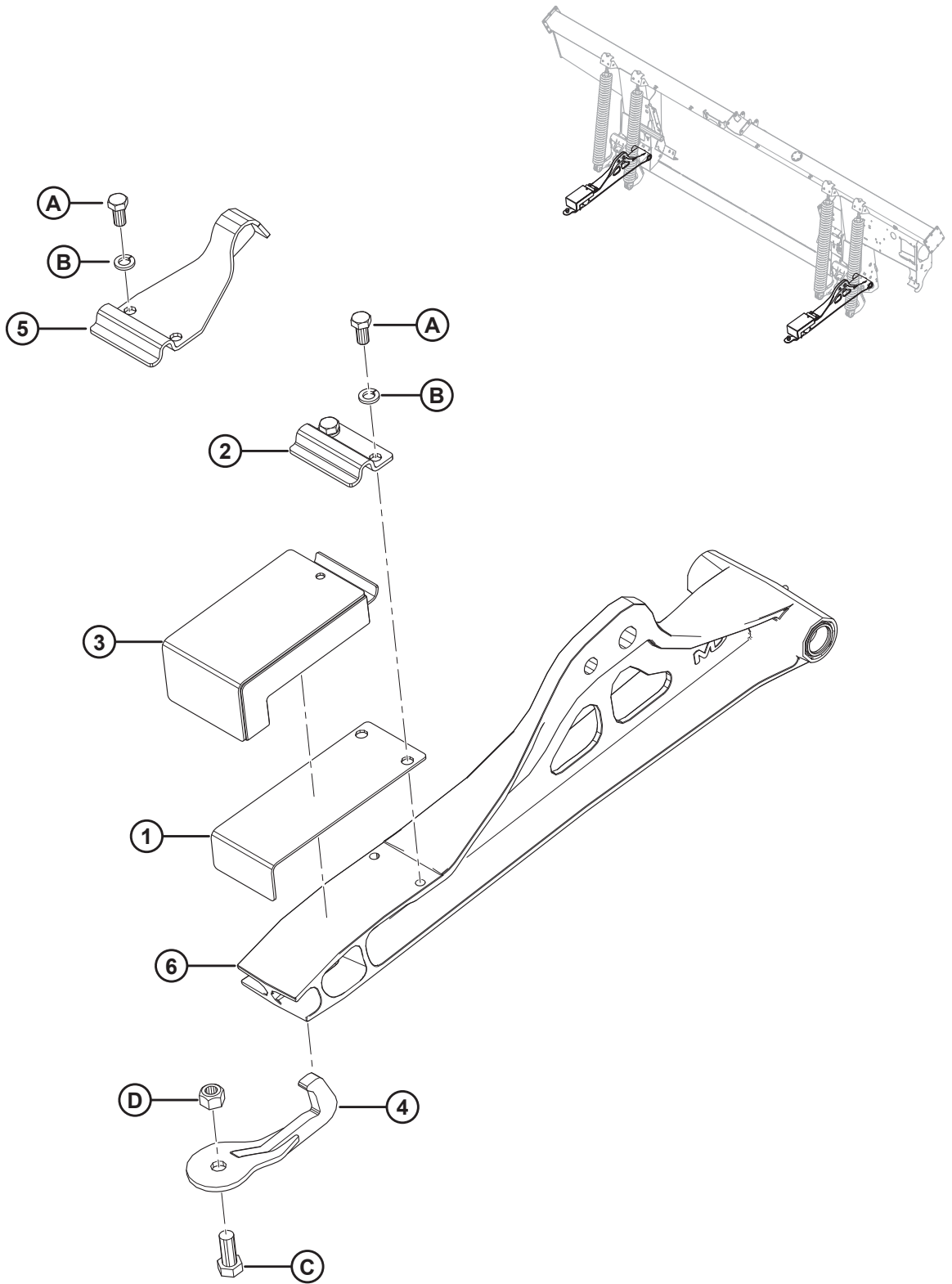
# 90 Feed Deck – Pans and Fillers



**FEED DECK – PANS AND FILLERS**

<b>Ref</b>	<b>Part Number</b>	<b>Description</b>	<b>Qty</b>	<b>Serial Number</b>
1	287768	PAN – FEED DECK POLYETHYLENE	1	
2	295211	PLATE – FRONT BAR OUTER	1	
3	295212	FLAP – PAN FRONT	1	
4	295213	PLATE – FRONT BAR INNER	1	
5	240013	HOOK – REAR SIDE	2	
6	240012	HOOK – REAR CENTER	1	
7	231765	BAR – SIDE HOOK	2	
8	231766	BAR – HOOK CENTER	1	
9	304382	SUPPORT – PAN LIFTER	1	
10	295215	SUPPORT – PAN SPRING LH	1	
	295216	SUPPORT – PAN SPRING RH	1	
11	240010	HANDLE – PAN LATCH	1	
12	240254	SUPPORT – PAN HANDLE LATCH	2	
13	159020	SPRING – TORSION LH	1	
	144505	SPRING – TORSION RH	1	
14	248914	GUIDE – HANDLE LOCK	6	
15	240264	PAN – FEED DECK STAINLESS	1	
16	304927	FILLER – RH REAR CORNER WELDT	1	
	304926	FILLER – LH REAR CORNER WELDT	1	
17	287939	RETAINER – FRONT SPRING	2	
18	347691	SUPPORT – PAN FRONT SPRING RH	1	
	347692	SUPPORT – PAN FRONT SPRING LH	1	
A	184648	BOLT – RHSN M8 X 1.25 X 25-8.8-A3L		
B	135337	NUT – HEX FLG CTR LOC M8 X 1.25-8-A2L		
C	190752	BOLT – RHSN M8 X 1.25 X 30-8.8-A2L		
D	197171	BOLT – RHSN M8 X 1.25 X 20-8.8-A2L		
E	30628	BOLT – HEX HD M10 X 1.5 X 35-8.8-A3L		
F	184711	WASHER – FLAT REG M10-200HV-A3L		
G	135799	NUT – HEX FLG CTR LOC M10 X 1.5-10-A3L		
H	184652	BOLT – HEX HD TFL M8 X 1.25 X 25-8.8-A2L		
J	135785	BOLT – RHSN M10 X 1.5 X 25-8.8-A3L		
K	136050	BOLT – RHSN M8 X 1.25 X 35-8.8-A2L		
L	184709	WASHER – FLAT LARGE M8-200HV-A2L		

# 91 Float Module – Attaching Parts



**FLOAT MODULE – ATTACHING PARTS**

<b>Ref</b>	<b>Part Number</b>	<b>Description</b>	<b>Qty</b>	<b>Serial Number</b>
	B6458	KIT – COMBINE ATTACHING FLEX <sup>327</sup>		
1	125145	PLATE – LEAF SPRING	2	
2	125146	CLAMP	2	
3	174769	ASSY – RUBBER BLOCK FLEX <sup>328</sup>	2	
4	258876	WELDMENT – BREAKAWAY HOOK	2	
5	304799	STOP – FLAT TILT FLOAT WELDMENT (FD125 ONLY) <sup>329</sup>	2	
6	REF	LINK – LOWER, C/W BEARINGS <sup>330</sup>		
A	21575	BOLT – HH 1/2 NC X 1.0 LG GR 5 ZP		
B	18638	WASHER – REG. LOCK 1/2 IN. NOM. I.D. ZP		
C	21594	BOLT – HEX HD 0.625-11 UNC X 1.50		
D	18666	NUT – HEX LOCK DT 5/8-11 UNC ZP		

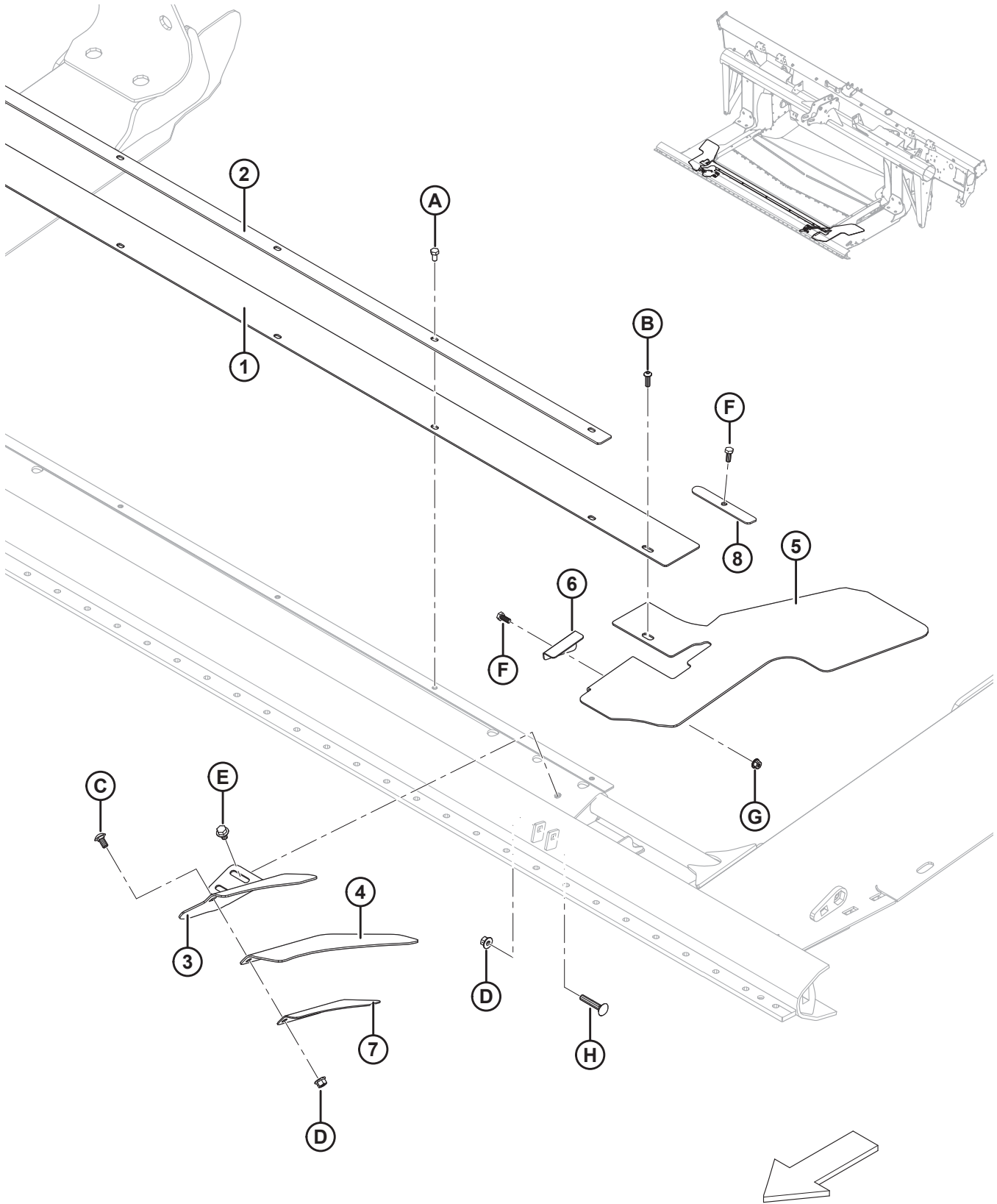
327. Includes all listed parts from this section as well as Sections *92 Float Module – Center and Corner Fillers, page 267* and *93 Float Module – Side Fillers, page 269*. Kits available through Whole Goods only.

328. Used on all FD1 headers except for FD125.

329. Used on FD125 headers only.

330. Refer to Section *114 Float Linkage and Components, page 331*.

# 92 Float Module – Center and Corner Fillers





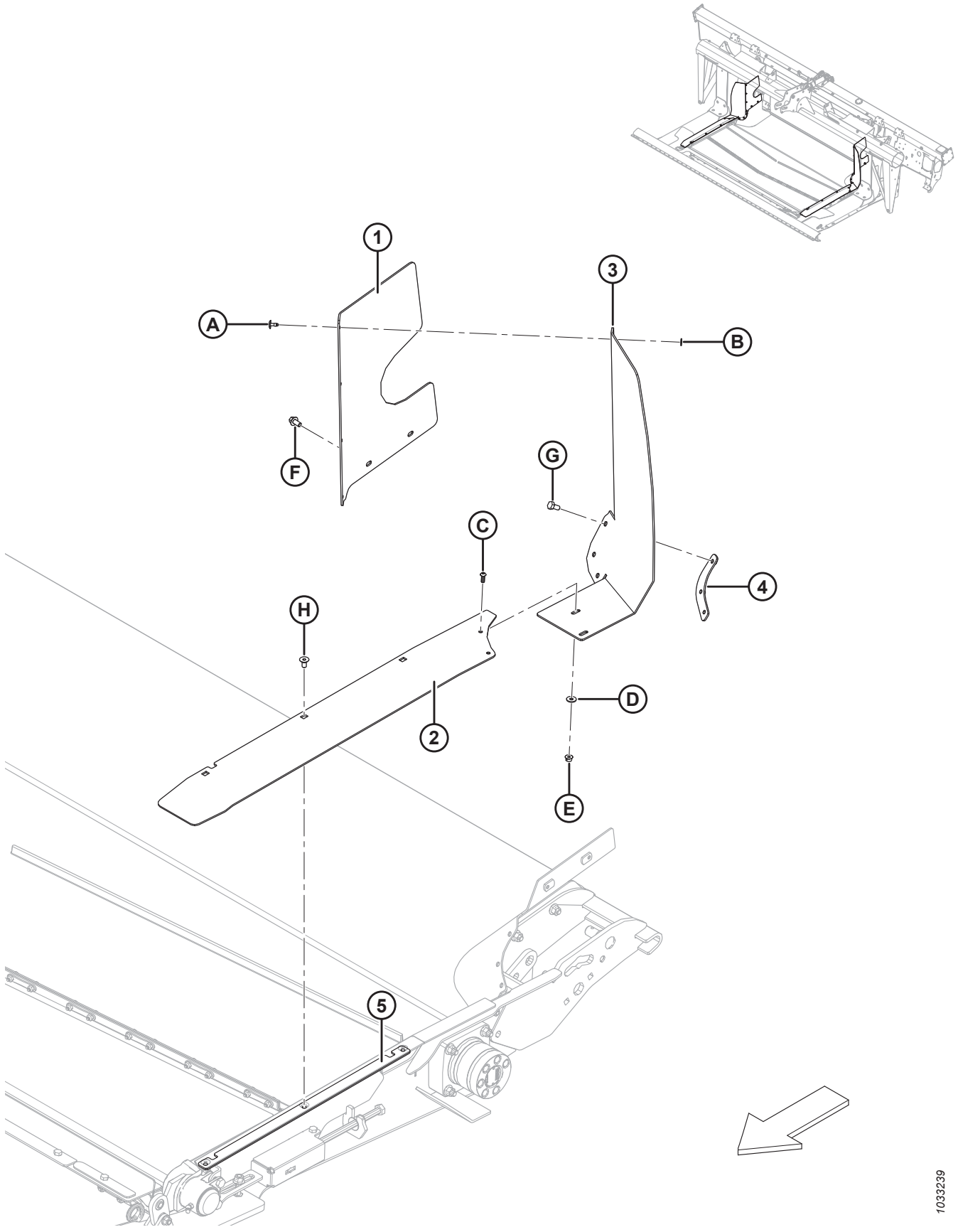
**FLOAT MODULE – CENTER AND CORNER FILLERS**

<b>Ref</b>	<b>Part Number</b>	<b>Description</b>	<b>Qty</b>	<b>Serial Number</b>
	B6450	KIT – EXTENDED CENTER FILLER <sup>331</sup>		
1	295261	FILLER – PAN CENTER (93 MM)	1	
	295542	FILLER – PAN CENTER, EXTENDED (167 MM) <sup>332</sup>	1	
2	301126	RETAINER – CENTER FILLER	1	
3	231799	SUPPORT – LH CORNER FILLER	1	
	231800	SUPPORT – RH CORNER FILLER	1	
4	304040	FLAP – CORNER FILLER	2	
5	287774	FLAP – LH PAN CORNER FLEX	1	
	287773	FLAP – RH PAN CORNER FLEX	1	
6	276117	RETAINER – PAN FLAP LH	1	
	276062	RETAINER – PAN FLAP RH	1	
7	213340	RETAINER – CORNER FILLER LH	1	
	240418	RETAINER – CORNER FILLER RH	1	
8	301127	PLATE – FILLER RETAINER	2	
A	50139	BOLT – HEX HD TFL M8 X 1.25 X 16-8.8-A2L		
B	184649	SCREW – HEX SOC BTN HD M8 X 1.25 X 25-12.9-A2L		
C	184657	BOLT – RHSSN M10 X 1.5 X 20-8.8-A3L		
D	135799	NUT – HEX FLG CTR LOC M10 X 1.5-10-A3L		
E	136231	BOLT – HEX SER FLG HD M10 X 1.5 X 16-8.8-A3L		
F	30715	BOLT – HEX HD TFL M8 X 1.25 X 20-8.8-A2L		
G	135337	NUT – HEX FLG CTR LOC M8 X 1.25-8-A2L		
H	136113	BOLT – RHSN M10 X 1.5 X 60-8.8-A3L		

331. Includes extended pan center filler (MD #295542) and installation instructions. Kits available through Whole Goods only.

332. Longer center filler pan required in certain conditions (e.g. soybean).

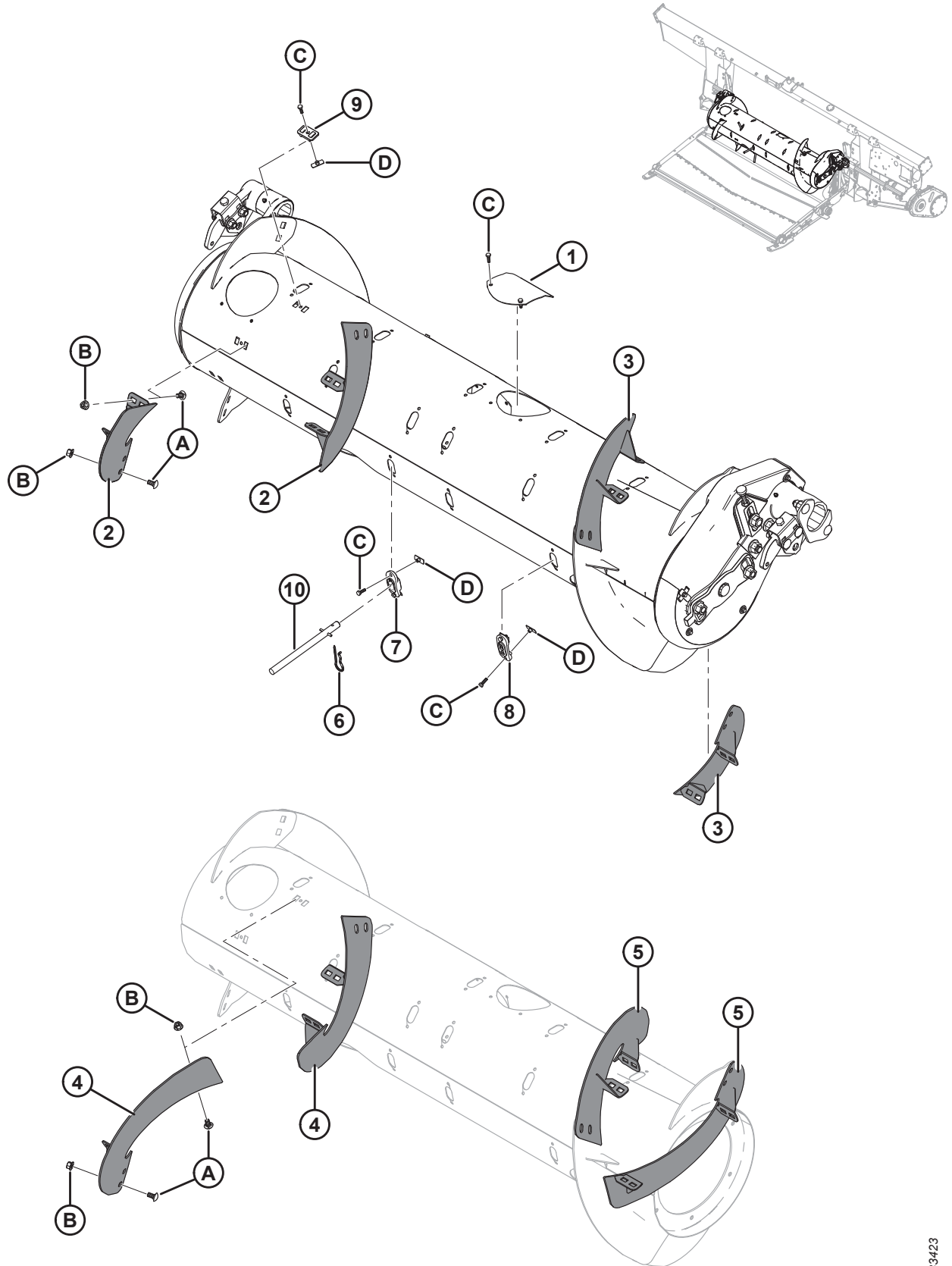
# 93 Float Module – Side Fillers



**FLOAT MODULE – SIDE FILLERS**

<b>Ref</b>	<b>Part Number</b>	<b>Description</b>	<b>Qty</b>	<b>Serial Number</b>
1	213492	FILLER – LH REAR UPPER	1	
	213493	FILLER – RH REAR UPPER	1	
2	304159	FILLER – DECK SIDE LH FLEX	1	
	304158	FILLER – DECK SIDE RH FLEX	1	
3	213759	FLAP – FEED DECK LH SIDE FLEX	1	
	213753	FLAP – FEED DECK RH SIDE FLEX	1	
4	304779	PLATE – FLAP RETAINER LH	1	
	304775	PLATE – FLAP RETAINER RH	1	
5	304786	PLATE – SIDE FILLER RETAINER	2	
A	293053	RIVET – POP		
B	293054	WASHER – FLAT LARGE M5-200HV-AA1J		
C	136886	SCREW – HEX SOC M6 X 1 X 16-10.9-ZB		
D	184706	WASHER – FLAT LARGE M6-200HV-A2L		
E	152668	NUT – HEX FLG CTR LOC M6 X 1-8-A2L		
F	136485	BOLT – HEX FLG HD TFL M8 X 1.25 X 16-8.8-A3L		
G	50139	BOLT – HEX HD TFL M8 X 1.25 X 16-8.8-A2L		
H	252542	SCREW – HEX SOC CSK HD TFL M8 X 1.25 X 16-10.9-AA2L		

# 94 Auger Assembly and Completion



## AUGER ASSEMBLY AND COMPLETION

**NOTE:**

Quantities listed are for 335244/335245/308871.

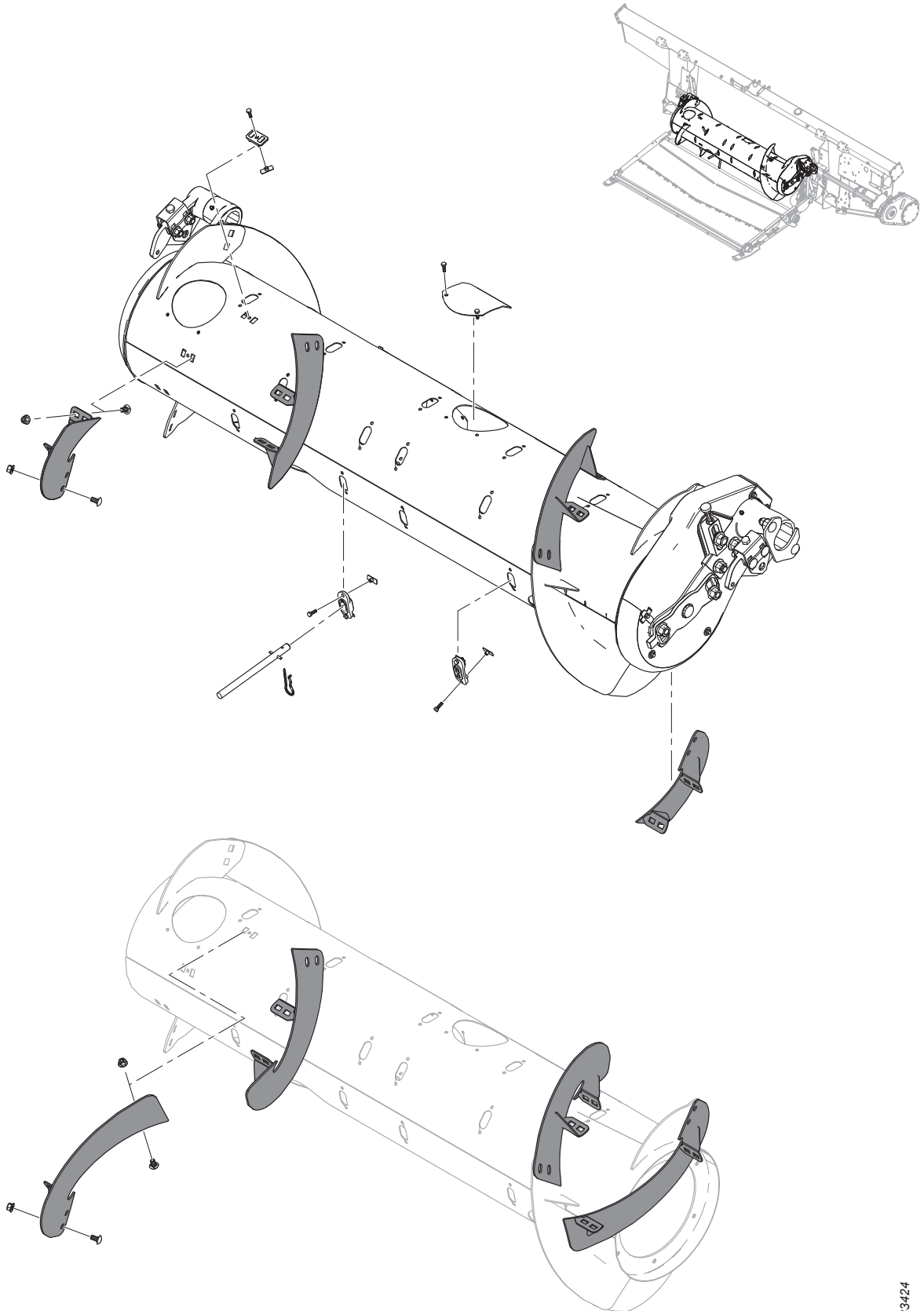
Ref	Part Number	Description	Qty 335244/335245/308871	Serial Number
	335242	AUGER DRIVE ASSEMBLY WITH MAGNETIC SHIELD (BASE ONLY) <sup>333</sup>		
	335244	KIT – COMPLETION, MEDIUM AUGER <sup>334</sup>	1/0/0	
	335245	KIT – COMPLETION, WIDE AUGER <sup>334</sup>	0/1/0	
	308871	KIT – COMPLETION, NARROW AUGER <sup>334</sup>	0/0/1	
1	304494	COVER WELDMENT	6/6/6	
2	287887	FLIGHTING, RTD – RH, MED (HIWEAR)	2/1/0	
3	287888	FLIGHTING, RTD – LH, MED (HIWEAR)	2/1/0	
4	287890	FLIGHTING, RTD – RH, LONG (HIWEAR)	0/0/2	
5	287889	FLIGHTING, RTD – LH, LONG (HIWEAR)	0/0/2	
6	123180	PIN – HAIR	4/12/0	
7	337143	GUIDE	4/12/0	
8	187137	PLUG	8/0/12	
9	213084	PLUG – FLIGHTING SLOT	4/8/4	
10	337152	KIT – FINGER <sup>335</sup>	4/12/0	
	7642	PIN – SPRING 3/16 DIA X 1.5 LG		
A	184657	BOLT – RHSSN M10 X 1.5 X 20-8.8-A3L		
B	135799	NUT – HEX FLG CTR LOC M10 X 1.5-10-A3L		
C	252703	BOLT – HEX HD TFL M6 X 1 X 20 X SPCL-12.9-A2L		
D	197263	NUT – TEE M6 X 1		

333. Includes all listed parts in Section *96 Auger Internal Components, page 275*, and Section *97 Auger Assembly – Service Parts, page 277*. Auger drive assembly (MD #335242) is a base configuration **ONLY** and contains parts common to medium, wide, and narrow augers. Completion kits (MD #335244, 335245, or 308871) are optional as a repair and are required only if flighting components are damaged. To replace the entire auger assembly (including flighting components) for your specific combine, refer to Table *95.1, page 274* in Section *95 Auger Assembly and Completion – Configuration, page 273* to determine which combination of base auger drive assembly (MD #335242) and completion kits (MD #335244, 335245, or 308871) is required.

334. Includes all listed parts and hardware. See parts list for quantities specific to completion kit.

335. Includes solid finger (not sold separately), spring pin (MD #7642), guide (MD #337143), and instructions.

# 95 Auger Assembly and Completion – Configuration



## AUGER ASSEMBLY AND COMPLETION – CONFIGURATION

**Table 95.1 Configuration Chart**

**NOTE:**

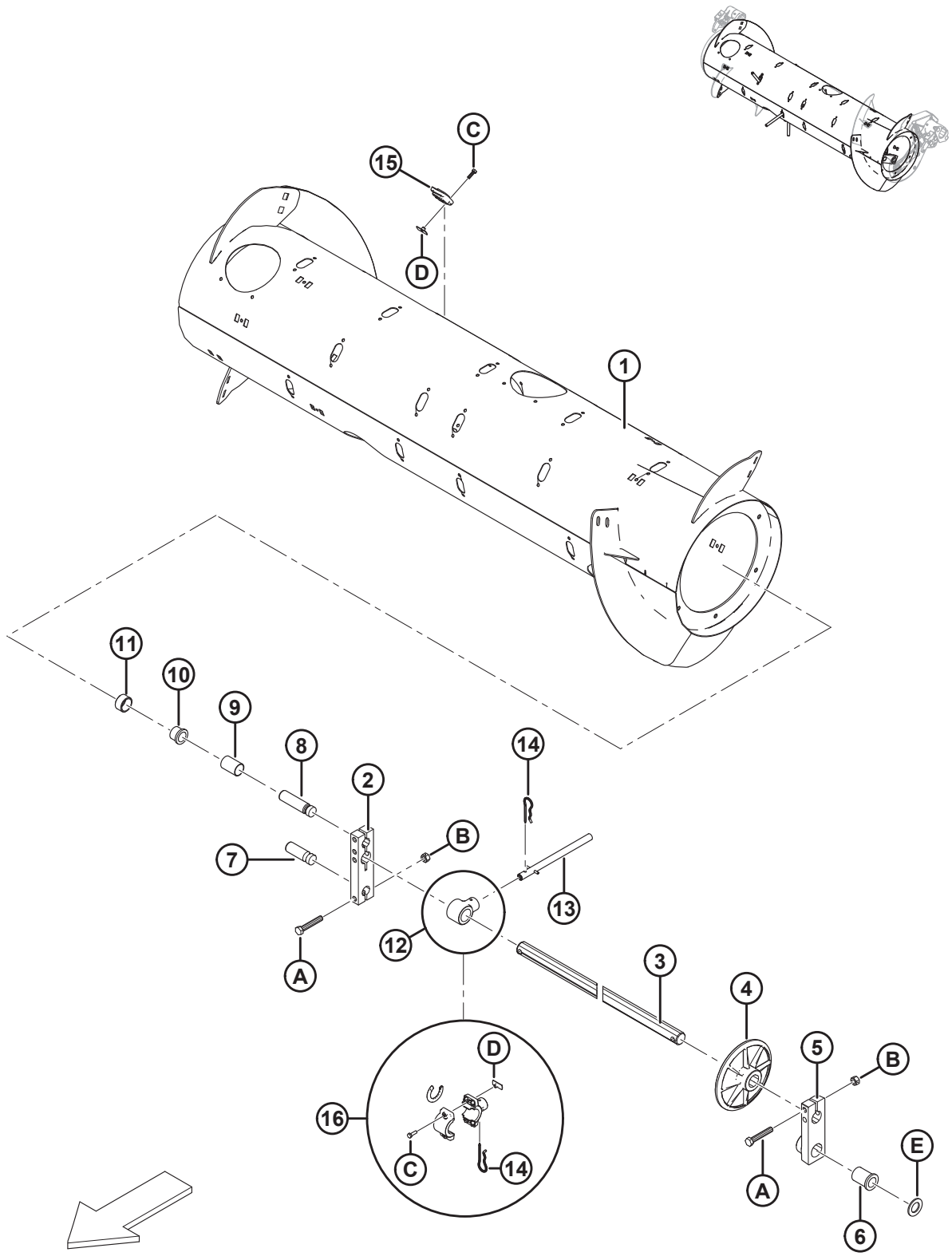
Auger drive assembly (MD #335242) is a base configuration **ONLY** and contains parts common to medium, wide, and narrow augers. Completion kits (MD #335244, 335245, or 308871) are optional as a repair and are required only if fighting components are damaged. To replace the entire auger assembly (including fighting components) for your specific combine, refer to the table below to determine which combination of base auger drive assembly (MD #335242) and completion kits (MD #335244, 335245, or 308871) is required. For completion kits service parts, refer to Section [94 Auger Assembly and Completion, page 271](#).

**NOTE:**

For combines where completion kit (MD #335245) is available as an option, completion kit (MD #335244) is recommended for most crop conditions but completion kit (MD #335245) may increase combine capacity on wide feeder house combines in high volume crop conditions.

Combine Model	Kit MD # 335242	Kit MD # 335244	Kit MD # 335245	Kit MD # 308871
CASE IH 5/6/7088, 7/8010, 7/8/9120, 5/6/7130, 7/8/9230, 5/6/7140, 7/8/9240	1	1	—	—
NEW HOLLAND CR 970/980, 9070/9080, 8090/9090, X.90, X.80	1	1	—	—
NEW HOLLAND CR 920/940/960, 9020/40/60/65, 6090/7090, 8060/8070/8080	1	—	—	1
NEW HOLLAND CX 8X0, 80X0, 8.X0	1	1	OPT	—
JOHN DEERE 95/96/97/9860, 95/96/9870, S65/66/67/68/690	1	1	—	—
JOHN DEERE T670	1	1	OPT	—
CLAAS 590R/595R, 660/670, 760/770/780	1	1	OPT	—
CLAAS 56/57/580R, 57/585R, 62/63/64/650, 73/74/750	1	1	—	—
AGCO CHALLENGER® 660B	1	1	—	—
AGCO CHALLENGER® 67/680B, 54/560C, 54/560E	1	1	OPT	—
AGCO MASSEY FERGUSON® 96/9795, 9520	1	1	—	—
AGCO MASSEY FERGUSON® 9895, 9540, 9560, 9545, 9565, 9380	1	1	OPT	—
AGCO GLEANER® R6/75, R6/76, S6/77, S6/7/88, S96/7/8	1	—	—	1
AGCO IDEAL™ 7/8/9	1	OPT	—	1
VERSATILE RT490	1	1	—	—

# 96 Auger Internal Components





**AUGER INTERNAL COMPONENTS**

Ref	Part Number	Description	Qty	Serial Number
	335242	ASSY – AUGER DRIVE WITH MAGNETIC SHIELD, PARTS ONLY <sup>336</sup>		
1	308642	DRUM – 14 IN. WELDMENT	1	
2	213608	BLOCK – AUGER SHAFT	1	
3	213605	SHAFT – FINGER	1	
4	248117	WHEEL – GUIDE, FINGER SHAFT	1	
5	248538	CASTING – PIVOT BLOCK, LH, MACHINING	1	
6	248145	BUSHING – FLANGE	1	
7	248096	PIN – PIVOT	1	
8	213660	PIN – PIVOT	1	
9	213657	SPACER	1	
10	133877	BUSHING – PLASTIC FLANGED 1.0 IN.	1	
11	213656	ROLLER	1	
12	337206	HOLDER – AUGER FINGER (2021 AND LATER) <sup>337</sup>	32	396190–
	276265	HOLDER – AUGER FINGER (2020 AND PRIOR) <sup>338</sup>	32	–396189
13	337152	KIT – FINGER <sup>339</sup>	18	
	7642	PIN – SPRING 3/16 DIA X 1.5 LG	A/R	
14	123180	PIN – HAIR	18	
15	337143	GUIDE	18	
16	276839	KIT – FINGER HOLDER SPLIT 5X (BAG OF 5) <sup>340</sup>	32	
A	184675	BOLT – HEX HD M12 X 1.75 X 70-8.8-A3L		
B	136759	NUT – HEX CTR LOC M12 X 1.75-8-A3L		
C	252703	BOLT – HEX HD TFL M6 X 1 X 20 X SPCL-12.9-A2L		
D	197263	NUT – TEE M6 X 1		
E	156743	WASHER – FLAT <sup>341</sup>		

336. Includes all parts listed in Section [96 Auger Internal Components, page 275](#) and Section [97 Auger Assembly – Service Parts, page 277](#). Auger drive assembly (MD #335242) is a base configuration **ONLY** and contains parts common to medium, wide, and narrow augers. Completion kits (MD #335244, 335245, or 308871) are optional as a repair and are required only if flighting components are damaged. To replace the entire auger assembly (including flighting components) for your specific combine, refer to Section [94 Auger Assembly and Completion, page 271](#).

337. For model year 2021 and later.

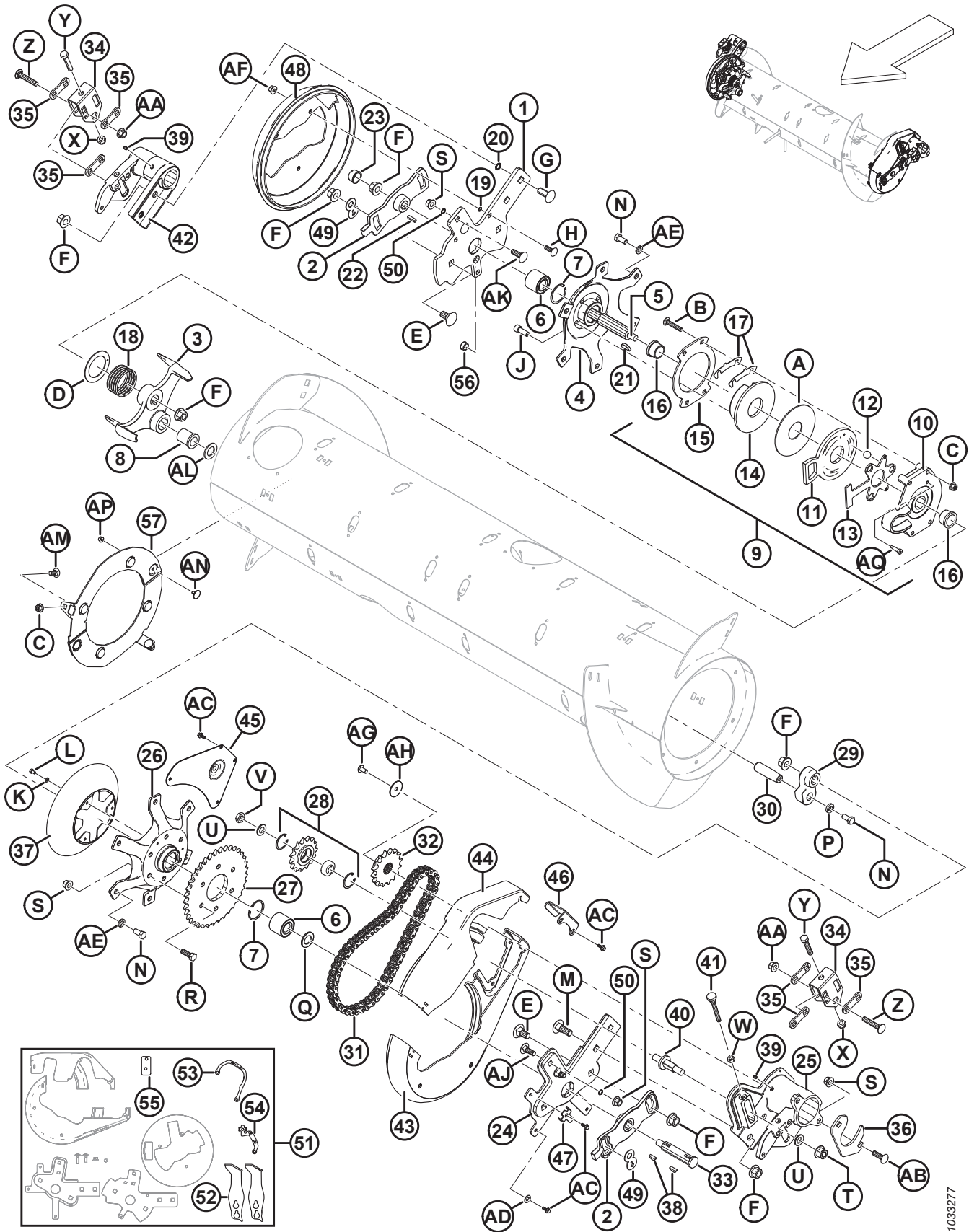
338. For model year 2020 and prior.

339. Includes solid finger (not sold separately), spring pin (MD #7642), guide (MD #337143), and instructions.

340. Used to simplify field replacement of broken one-piece solid finger holders (MD #337206). Includes split auger finger holder (NSS), holder spacers (NSS), hair pin (MD #123180), tee nut (MD #197263), and bolt (MD #252703).

341. Washer (MD #156743) is used if tolerance on bushing (MD #248145) is exceeded. Use washer(s) as required to achieve correct tolerance.

# 97 Auger Assembly – Service Parts



1039277

**AUGER ASSEMBLY – SERVICE PARTS**

Ref	Part Number	Description	Qty	Serial Number
	335242	ASSY – AUGER DRIVE WITH MAGNETIC SHIELD, PARTS ONLY <sup>342</sup>		
	B6600	KIT – FM100 RTD UP-STOP BUMPER KIT <sup>343</sup>		
1	308134	KIT – SERVICE, AUGER ARM, RH (2017 AND PRIOR) <sup>344</sup>	1	–321189
	308850	BAR – RH AUGER SUPPORT (2018 AND LATER)	1	321190–
2	213851	CASTING – TIMING PLATE, MACHINED	2	
3	304520	CASTING – STOP, MACHINING <sup>345</sup>	1	
4	213546	HUB – MACHINING RH	1	
5	304514	SHAFT – AUGER	1	
6	<b>337284</b>	<b>BEARING – BALL DBL ROW 52MM OD</b>	2	
7	21235	RING – INT RETAINING	2	
8	213659	BUSHING – FLANGE	1	
9	213802	ASSEMBLY – REVERSING CLUTCH <sup>346</sup>	1	
10	213649	CLUTCH HOUSING – CAST, MACH	1	
11	213801	ARM – CLUTCH ACTIVATOR, MACH	1	
12	248285	BALL	3	
13	213557	PLATE – BALL CAGE	1	
14	213552	DISC – BRAKE, MACHINING	1	
15	213554	DISC – CLUTCH	1	
16	213859	BUSHING – PLASTIC (1 X 1.5 X 1.0 WITH FLANGE)	2	
17	276206	SHIM – CLUTCH	6	
18	213679	SPRING – COMPRESSION	1	
19	183506	O-RING – HNBR (GREEN)	3	
20	50083	O-RING	2	
21	213654	KEY – WOODRUFF (1/4 X 1-1/4 NOM.)	1	
22	213750	KEY – RECT. 6.35 MM SQ 24 MM LG	1	

342. Includes all parts listed in Section [96 Auger Internal Components, page 275](#), and Section [97 Auger Assembly – Service Parts, page 277](#). Auger drive assembly (MD #335242) is a base configuration **ONLY** and contains parts common to medium, wide, and narrow augers. Completion kits (MD #335244, 335245, or 308871) are optional as a repair and are required only if flighting components are damaged. To replace the entire auger assembly (including flighting components) for your specific combine, refer to Section [94 Auger Assembly and Completion, page 271](#).

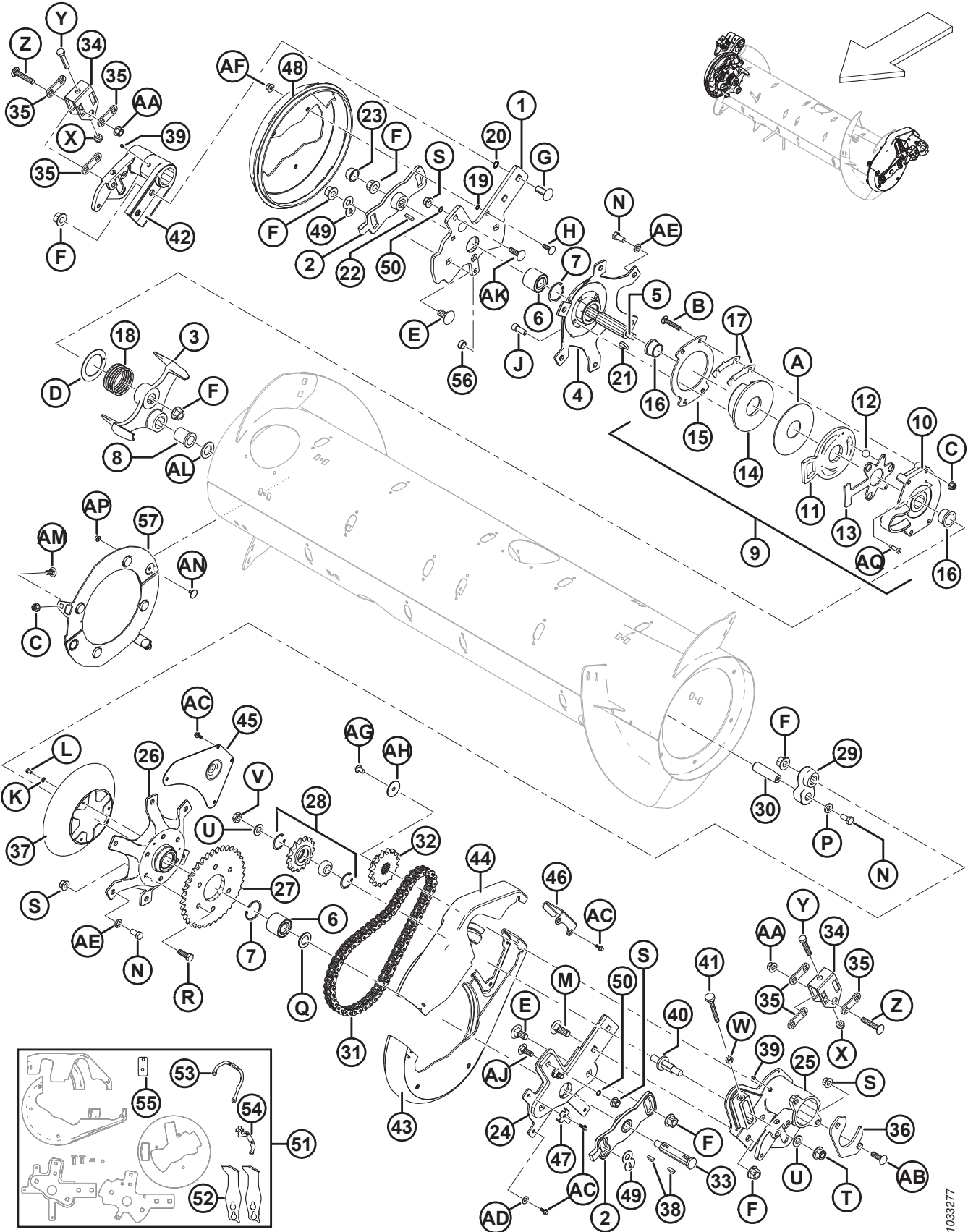
343. Kit includes two bumpers (MD #301912), RH indicator plate (MD #276180, LH indicator plate (MD #276183), spacer plate (MD #308056), and instructions. For units made in model year 2017 and prior, order RTD Bumper Conversion kit (MD #308187). Kits available through Whole Goods only.

344. Kit includes RH auger support bar (MD #308850), RH auger end cap cover (MD #301994), two O-rings (MD #183508), and hardware (MD #135900, 136431). If your machine is model year 2017 and prior and kit MD #308187 (bumpers and indicator plates) has been installed, order RH auger support bar (MD #308850). If kit is not installed, order RH auger arm service kit (MD #308134).

345. Stop casting arm (MD #304520) and finger shaft crank arm (MD #304521) must be replaced in pairs if replacing either arm for machines made in model year 2019 and prior.

346. Includes housing (MD #213649), arm (MD #213801), ball cage (MD #213557), discs (MD #213552, 213554), two bushings (MD #213859), three balls (MD #248285), six shims (MD #276206), plastic washer (MD #213731), and hardware.

AUGER ASSEMBLY – SERVICE PARTS



1033277

**AUGER ASSEMBLY – SERVICE PARTS**

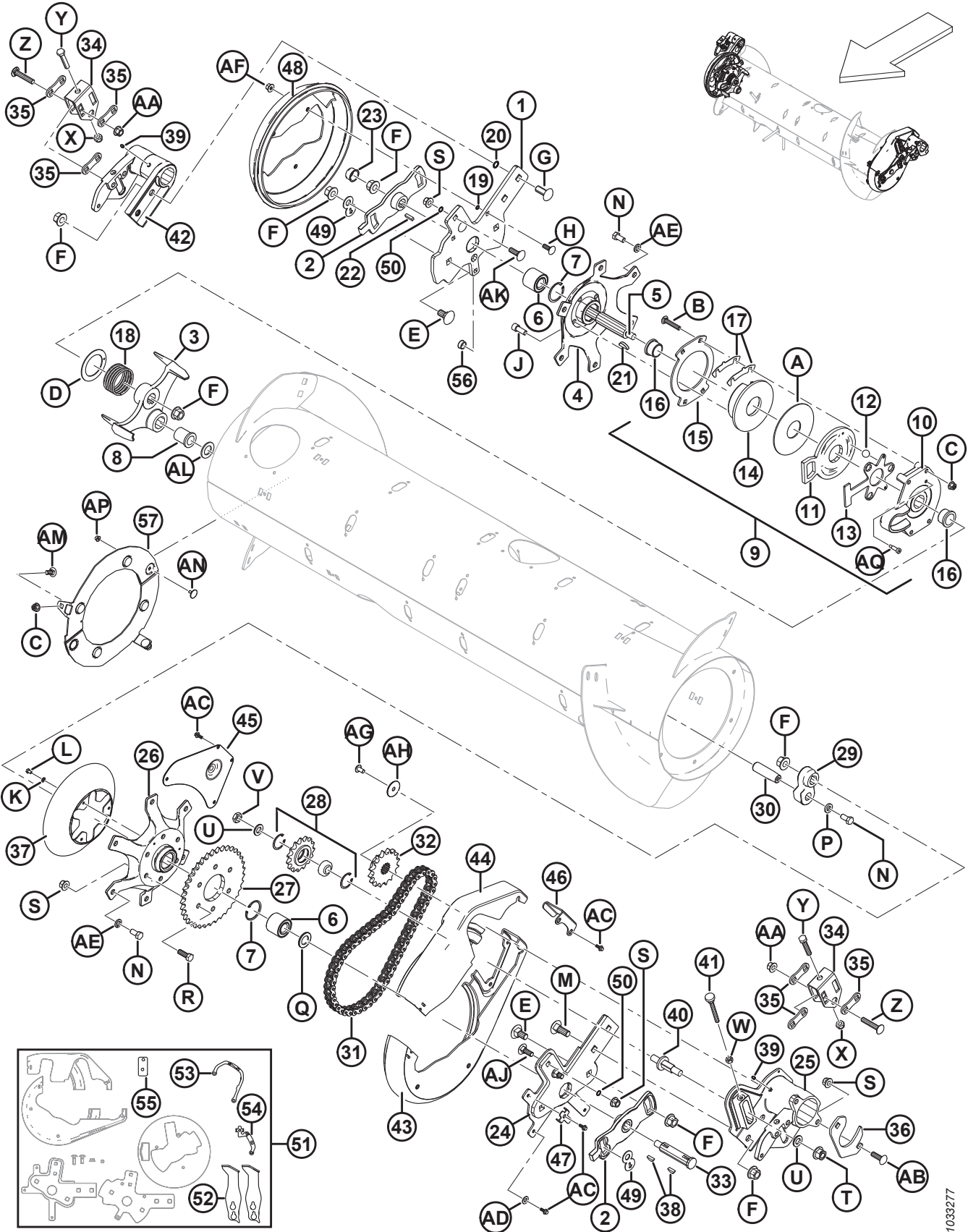
Ref	Part Number	Description	Qty	Serial Number
23	276140	CAP – PLASTIC	1	
24	308133	KIT – SERVICE, AUGER ARM, LH (2017 AND PRIOR) <sup>347</sup>	1	–321189
	304931	ARM – LH AUGER SUPPORT WELDT (2018 AND LATER)	1	321190–
25	276258	PIVOT – LH MACHINING, AUGER	1	
26	276141	HUB – MACHINING	1	
27	151793	SPROCKET – RC 60 A 37 T	1	
28	9333	ASSEMBLY – SPROCKET <sup>348</sup>	1	
	9213	BEARING – BALL	1	
	795	RING – RETAINING	2	
29	304521	ARM – FINGER SHAFT CRANK MACH <sup>345</sup>	1	
30	248144	PIN – PIVOT	1	
31	220317	CHAIN – RC-60H, 56 PITCHES RIVETED, ENDLESS	1	
32	151691	SPROCKET – RC 60 B 16 T	1	
33	301441	SHAFT – AUGER	1	
34	301810	BRACKET – ADJUSTER	2	
35	187428	SPACER	6	
36	248388	CLAMP – PLATE	1	
37	276118	SHIELD – CHAIN DRIVE	1	
38	135290	KEY – WOODRUFF (1/4 X 7/8 NOM.)	2	
39	18671	FITTING – LUBE 1/4-28 UNF	2	
40	213420	SPINDLE – THREADED ADJUSTMENT	1	
41	213857	THUMBSCREW – M10 X 80	1	
42	248232	PIVOT – RH MACHINING, AUGER	1	
43	301992	COVER – LH AUGER, LOWER HALF (2018 AND LATER)	1	321190–
	213097	COVER – LH AUGER, LOWER HALF (2017 AND PRIOR)	1	–321189
44	301993	COVER – LH AUGER, UPPER HALF (2018 AND LATER)	1	321190–
	213098	COVER – LH AUGER, UPPER HALF (2017 AND PRIOR)	1	–321189
45	213110	PANEL – ACCESS	1	
46	213112	PLATE – COVER RETAINER	1	
47	213153	BRACKET – CLAMP	1	
48	301994	COVER – AUGER END CAP RH	1	
49	301955	PLATE – LOCKOUT	2	
50	183508	O-RING – HNBR, COLOR GREEN	2	
51	308187	KIT – RTD BUMPER CONVERSION (2017 AND PRIOR) <sup>349</sup>	1	–321189
52	301912	BUMPER – WELDMENT FM100	2	
53	276180	PLATE – INDICATOR RH	1	

347. Kit includes LH auger support arm (MD #304931), LH auger large half cover (MD #301992), LH auger small half cover (MD #301993), two O-rings (MD #183508), and hardware (MD #136291, 136431). If your machine is model year 2017 and prior and kit MD #308187 (bumpers and indicator plates) has been installed, order LH auger support arm (MD #304931). If kit is not installed, order LH auger arm service kit (MD #308133).

348. Includes bearing (MD #9213) and two retaining rings (MD #795).

349. Kit includes two bumpers (MD #301912), LH auger support arm (MD #304931), RH auger support bar (MD #301987), LH auger small half cover (MD #301993), LH auger large half cover (MD #301992), RH auger end cap cover (MD #301994), four O-rings (MD #183508), LH and RH indicator plates (MD #276183 and 276180), spacer plate (MD #308056), and hardware (MD #136291, 136431, and 135900).

AUGER ASSEMBLY – SERVICE PARTS



1033277

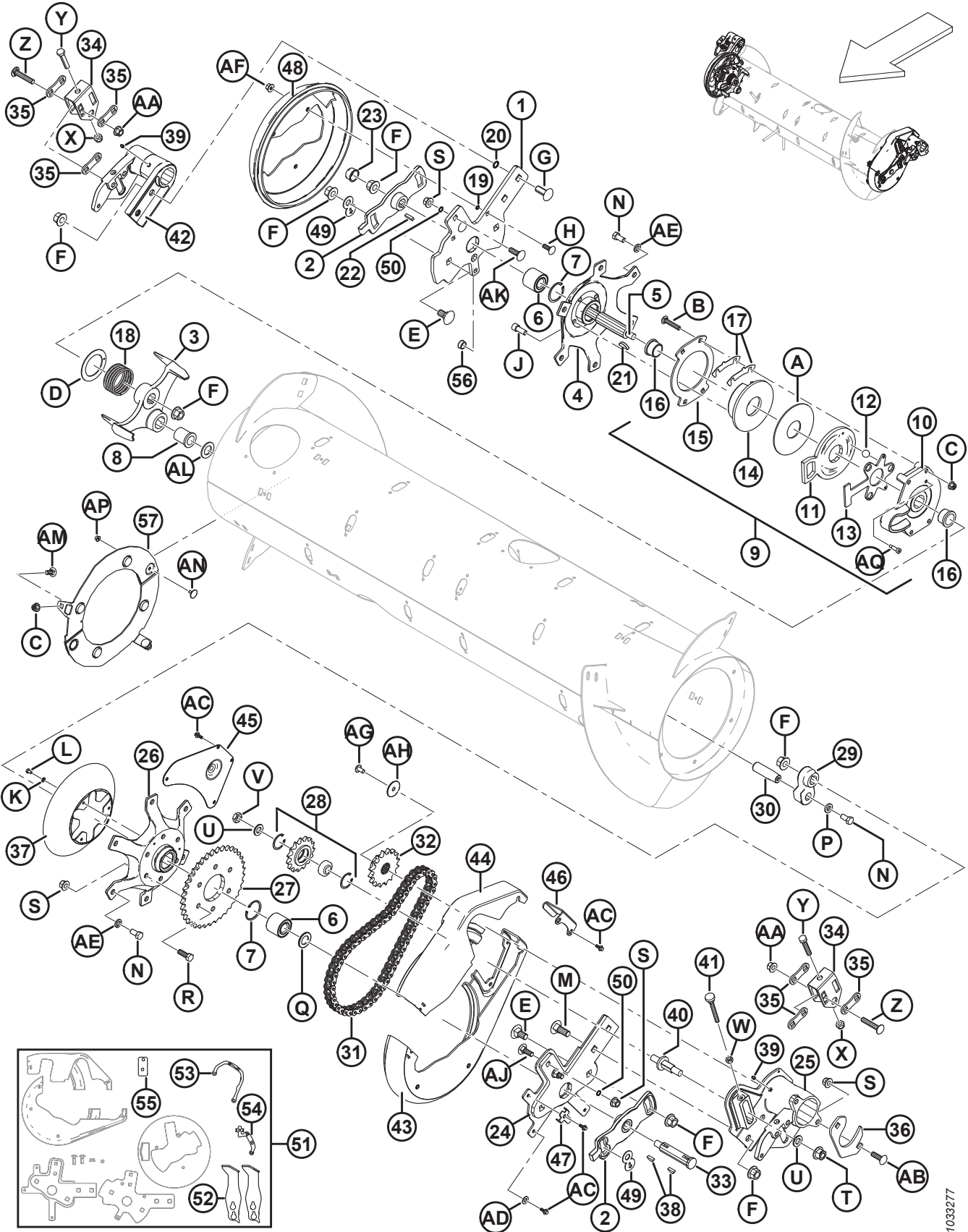
**AUGER ASSEMBLY – SERVICE PARTS**

Ref	Part Number	Description	Qty	Serial Number
54	276183	PLATE – INDICATOR LH	1	
55	308056	PLATE – SPACER	1	
56	308859	PLUG – HOLE	1	
57	328500	KIT – REVERSER SHIELD RETROFIT (2020 AND PRIOR) <sup>350</sup>	1	–396189
	335354	KIT – REVERSER SHIELD RETROFIT (2021 AND LATER) <sup>351</sup>	1	396190–
A	213731	WASHER – PLASTIC		
B	252701	BOLT – RHSSN TFL M10 X 1.5 X 60-8.8-A3L		
C	135799	NUT – HEX FLG CTR LOC M10 X 1.5-10-A3L		
D	213733	WASHER – THRUST		
E	252691	BOLT – RHSN M16 X 2 X 35-10.9-A2L		
F	136440	NUT – HEX FLG CTR LOC M16 X 2-10-A3L		
G	252638	BOLT – RHSSN M16 X 2 X 35-8.8-AA3L		
H	184662	BOLT – RHSN TFL M10 X 1.5 X 30-8.8-A3L		
J	50154	SCREW – HEX SOC HD TFL M12 X 1.75 X 30-8.8-A3L		
K	184705	WASHER – FLAT M6-200HV-A2L		
L	136561	BOLT – HEX HD TFL M6 X 1 X 10-8.8-A3L		
M	136757	BOLT – RHSN M16 X 2 X 45-8.8-A2L		
N	50155	BOLT – HEX HD TFL M12 X 1.75 X 25-8.8-A3L		
P	187518	WASHER – FLAT		
Q	123406	WASHER – FLAT		
R	152730	BOLT – HEX HD TFL M12 X 1.75 X 35-10.9-A3L		
S	136431	NUT – HEX FLG CTR LOC M12 X 1.75-10-A3L		
T	136736	NUT – HEX FLG TOP LOCK M16 X 1.5-10-A2L		
U	172558	WASHER – NORDLOCK 5/8 IN.		
V	252288	NUT – HEX THIN FINE M16 X 1.5-8.8-A3L		
W	30505	NUT – HEX M10 X 1.5-10-A3L		
X	184695	NUT – HEX NYLOC M12 X 1.75-8-A3L		
Y	237316	BOLT – HEX HD TFL M12 X 1.75 X 60-8.8-A3L		
Z	252187	BOLT – RHSSN FINE M12 X 1.5 X 65-10.9-A3L		
AA	252188	NUT – HEX FLG CTR LOC FINE M12 X 1.5-10-A3L		
AB	197122	BOLT – RHSSN M12 X 1.75 X 40-8.8-A3L		
AC	252639	BOLT – HEX FLG HD M6 X 1 X 16 X SPCL-8.8-AA2L		
AD	18598	WASHER – SAE FLAT 13/32 I.D. X 13/16 IN. O.D. ZP		
AE	18638	WASHER – REG. LOCK 1/2 IN. NOM. I.D. ZP		
AF	136441	NUT – HEX SER FLG M10 X 1.5-8-A3L		
AG	135157	SCREW – MACHINE		
AH	31465	WASHER – FLAT		
AJ	136291	BOLT – RHSN TFL M12 X 1.75 X 35-8.8-AA1J		

350. Kit includes two magnet assemblies (NSS), bag of five fingers (MD #287802), bolts (MD #135785, 136841), nuts (MD #135799, 152668), and instructions.

351. Kit includes two magnet assemblies (NSS), finger kit (MD #337152), bolts (MD #135785, 136841), nuts (MD #135799, 152668), and instructions.

AUGER ASSEMBLY – SERVICE PARTS



1033277



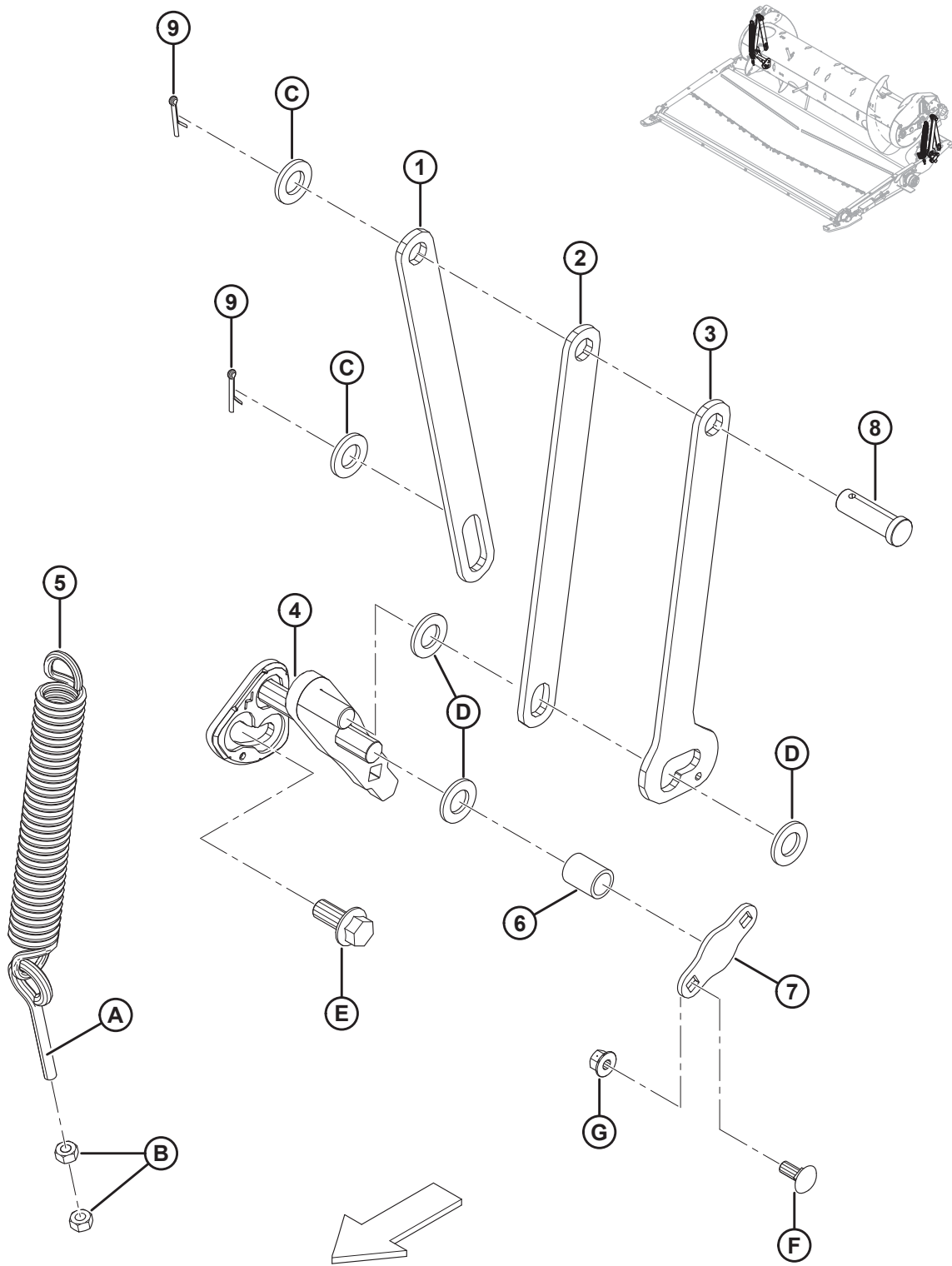
**AUGER ASSEMBLY – SERVICE PARTS**

<b>Ref</b>	<b>Part Number</b>	<b>Description</b>	<b>Qty</b>	<b>Serial Number</b>
AK	135900	BOLT – RHSN TFL M12 X 1.75 X 40-8.8-AA1J		
AL	156743	WASHER – FLAT <sup>352</sup>		
AM	135785	BOLT – RHSN M10 X 1.5 X 25-8.8-AA1J		
AN	136841	BOLT – ELEV CSK M6 X 1 X 16 X -8.8		
AP	152668	NUT – HEX FLG CTR LOC M6 X 1-8		
AQ	320237	SCREW – HEX SOC HD SHLDR 8 X 20 X SPCL-12.9-ZINC		

---

352. Washer (MD #156743) is used if tolerance on bushing (MD #213659) is exceeded. Use washer(s) as required to achieve correct tolerance.

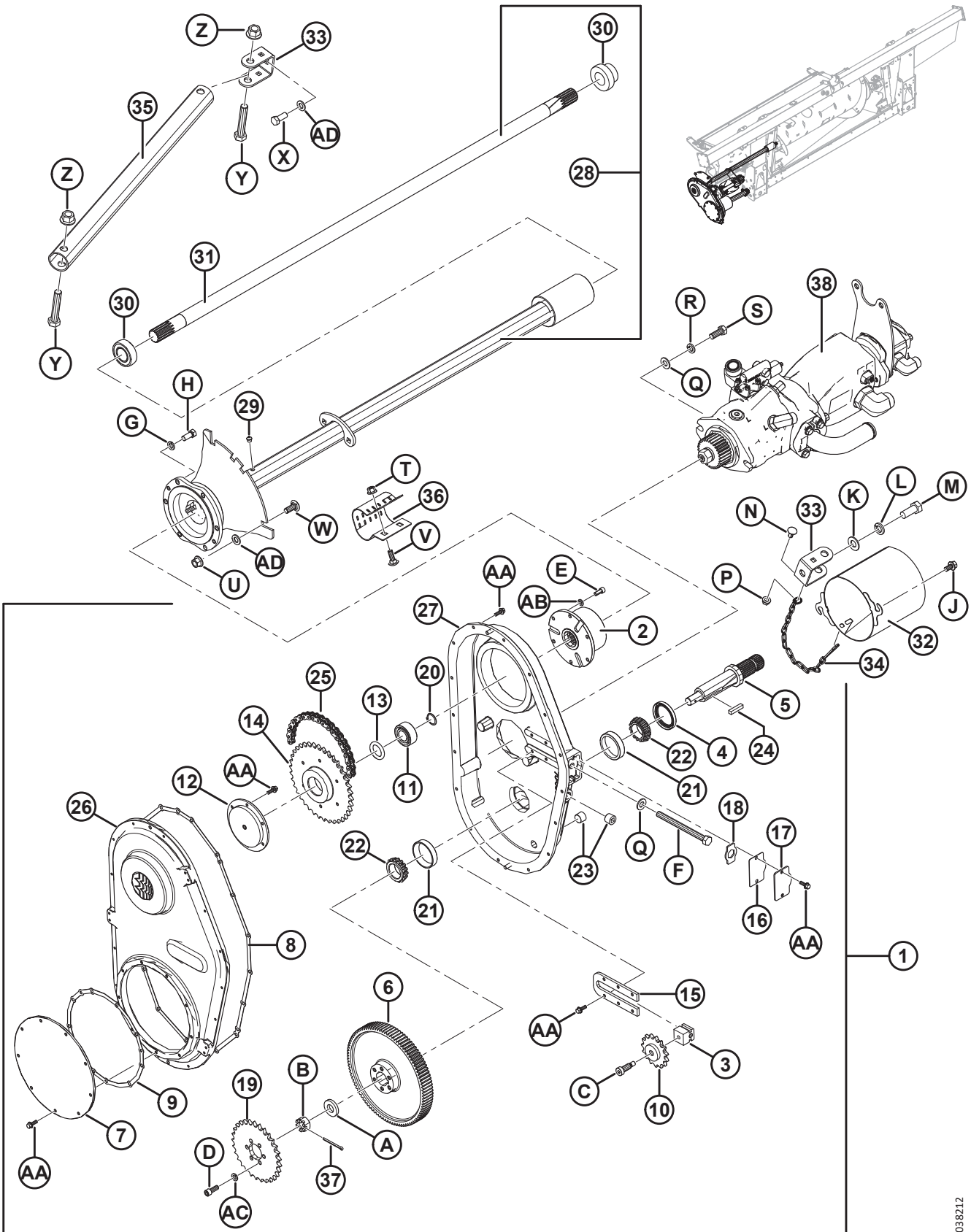
# 98 Auger Float Linkage



**AUGER FLOAT LINKAGE**

<b>Ref</b>	<b>Part Number</b>	<b>Description</b>	<b>Qty</b>	<b>Serial Number</b>
1	301805	BAR – AUGER SUPPORT, REAR	2	
2	301806	BAR – AUGER SUPPORT, FRONT	2	
3	301807	BAR – AUGER SUPPORT, DUAL POS	2	
4	276029	ASSY – CRANK WELDT, LH	1	
	276030	ASSY – CRANK WELDT, RH	1	
5	245966	SPRING – EXTENSION	2	
6	248348	TUBE – SPACER	2	
7	248349	PLATE – SECURING	2	
8	18626	PIN – CLEVIS	2	
9	18648	PIN – COTTER 3/16 DIA X 1.25 ZP	4	
A	231448	BOLT – EYE		
B	30505	NUT – HEX M10 X 1.5-10-A3L		
C	112130	WASHER – HARDENED		
D	18601	WASHER – SAE FLAT 13/16 I.D. X 1.5 IN. O.D. ZP		
E	136378	BOLT – HEX FLG HD TFL M16 X 2 X 35-10.9-A3L		
F	135785	BOLT – RHSN M10 X 1.5 X 25-8.8-A3L		
G	135799	NUT – HEX FLG CTR LOC M10 X 1.5-10-A3L		

# 99 Drives



1038212

**DRIVES**

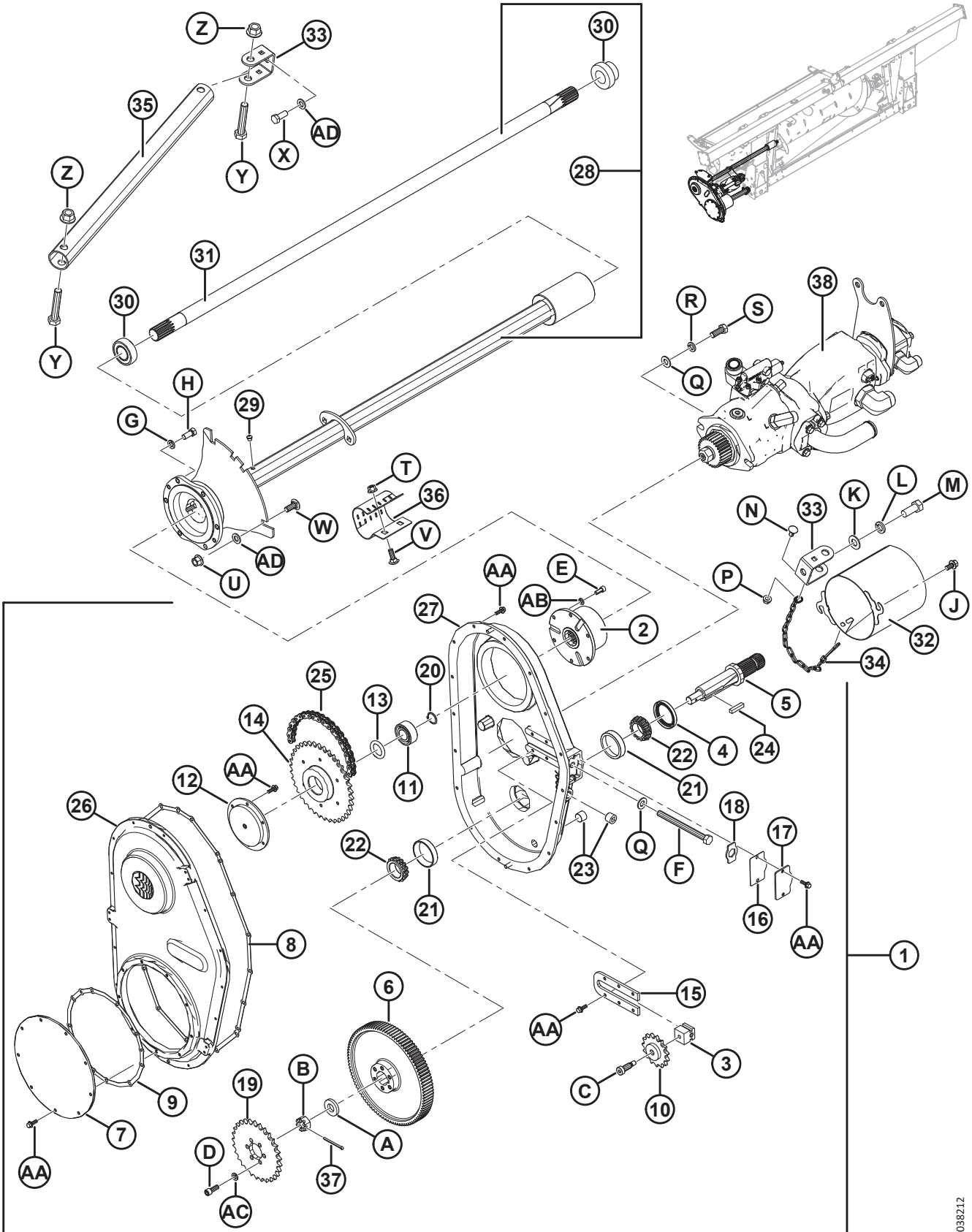
<b>Ref</b>	<b>Part Number</b>	<b>Description</b>	<b>Qty</b>	<b>Serial Number</b>
1	276149	DRIVE – GEARBOX (CNH) <sup>353</sup>	1	
	276812	DRIVE – GEARBOX (AGCO) <sup>353</sup>	1	
	276811	DRIVE – GEARBOX (CLAAS) <sup>353</sup>	1	
	245620	DRIVE – GEARBOX (JOHN DEERE) <sup>353</sup>	1	
2	187466	COMPACT AUTOMATIC CLUTCH	1	
3	187476	BLOCK – IDLER	1	
4	187477	SEAL	1	
5	187478	SHAFT	1	
6	187480	GEAR – 97 TEETH (CNH/JOHN DEERE)	1	
	276353	GEAR – 89 TEETH (AGCO/CLAAS)	1	
7	187482	COVER – SPROCKET	1	
8	187697	GASKET – HOUSING	1	
9	187698	GASKET – SPROCKET COVER	1	
10	187484	SPROCKET IDLER 50C15	1	
11	187485	BEARING – BALL DBL ROW 3205	1	
12	187486	SUPPORT – PINION	1	
13	187487	SHIM – KIT	1	
14	187492	SPROCKET 50B38	1	
15	276679	PLATE – TENSIONER	1	
16	187696	GASKET – ADJUSTMENT COVER	1	
17	187494	COVER – ADJUSTING	1	
18	187495	RETAINER	1	
19	231389	SPROCKET – 50A29 (CNH/AGCO)	1	
	187524	KIT – SPROCKET, 22 TOOTH (CLAAS) <sup>354</sup>	1	
	248407	SPROCKET – 50A37 (JOHN DEERE)	1	
20	18898	RING – EXT RETAINING	1	
21	30701	BEARING – CUP	2	
22	30702	BEARING – CONE	2	
23	30203	PLUG – MAGNETIC PIPE	3	
24	26846	KEY	1	
25	231534	ROLLER CHAIN – RC 50 (78 PITCHES ENDLESS) CNH	1	
	156037	ROLLER CHAIN – RC 50 (74 PITCHES ENDLESS) AGCO/CLAAS	1	
	248408	ROLLER CHAIN – RC 50 (80 PITCHES ENDLESS) JD	1	
26	187481	COVER – GEARBOX	1	
27	287914	HOUSING – GEARBOX	1	
28	301663	OUTPUT SHAFT ASSEMBLY <sup>355</sup>	1	
29	21425	VALVE – RELIEF	1	
30	21363	BEARING – SPH OD AND COLLAR	2	
31	279689	SHAFT – OUTPUT	1	
32	133421	GUARD – WELDMENT	1	
33	187520	ANCHOR – STRUT	2	

353. Includes items #2–27 and hardware.

354. Includes sprocket and installation instructions.

355. Includes relief valve (MD #21425), two bearings (MD #21363), and shaft (MD #279689).

DRIVES



1038212

## DRIVES

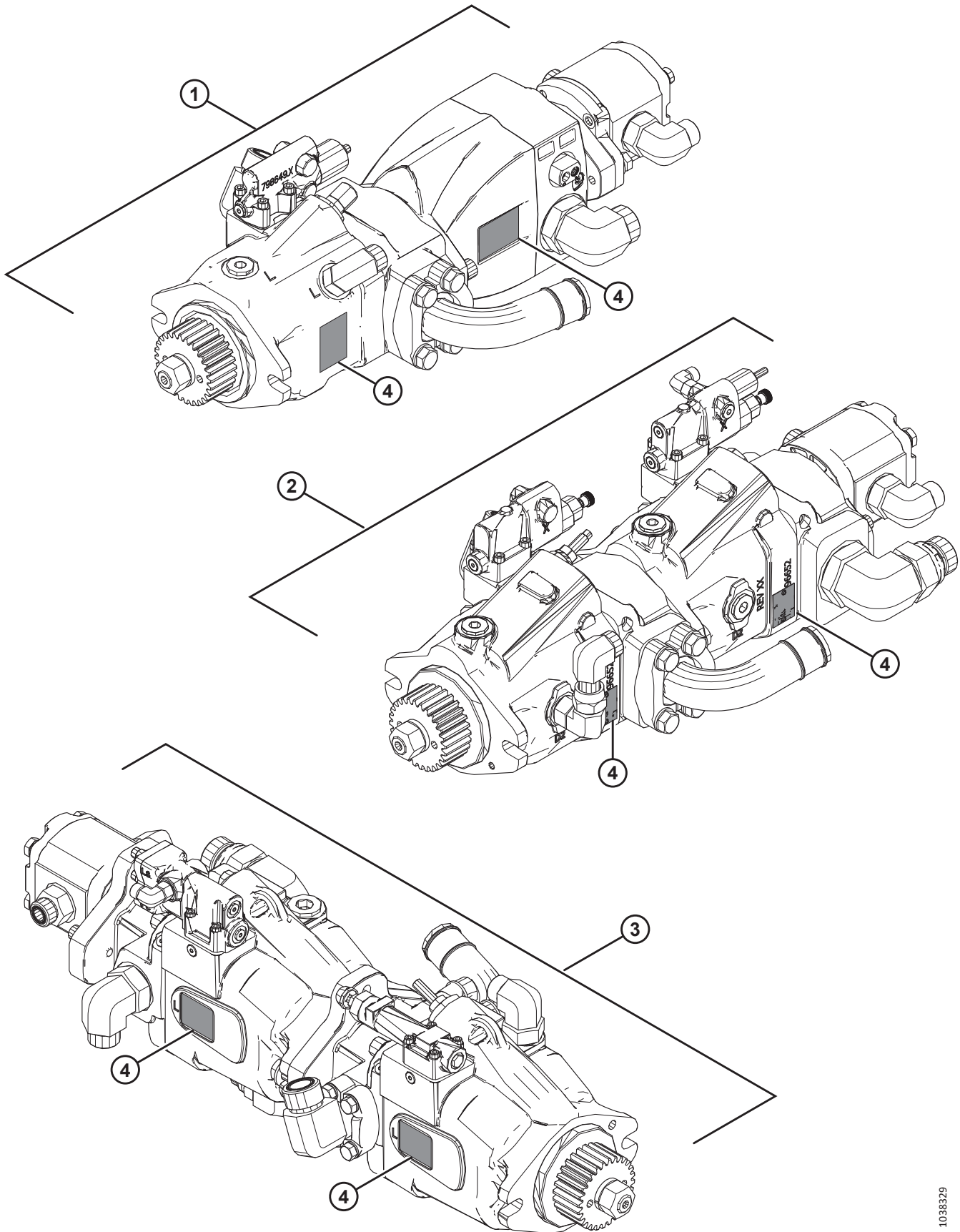
Ref	Part Number	Description	Qty	Serial Number
34	279081	CHAIN	1	
35	301902	TUBE – STRUT	1	
36	248850	CLAMP	1	
37	135358	PIN – COTTER, 5/32 DIA X 2.0 ZP	1	
38	REF	PUMP ASSEMBLY – BOSCH/REXROTH <sup>356</sup>		
	REF	PUMP ASSEMBLY – PARKER HANNIFIN <sup>357</sup>		
	REF	PUMP ASSEMBLY – EATON <sup>358</sup>		
A	187483	WASHER		
B	5512	NUT – HEX SLOTTED 3/4		
C	135694	BOLT – SHOULDER SOCKET HD 1/2 X 1.0 LG		
D	135381	BOLT – SOCKET HD 3/8 X 1.0 LG		
E	135748	BOLT – SOCKET HD 5/16 X 0.75 LG		
F	276680	BOLT – HEX HD TFL 1/2-13 X 5.5 GR 5 BO		
G	18652	WASHER – REG. LOCK 7/16 IN. NOM. I.D. ZP		
H	21522	BOLT – HH 7/16 NC X 1.0 LG GR 5 ZP		
J	21821	BOLT – HH FLG (SER FACE) 3/8 NC X 0.75 GR 5 ZP		
K	18600	WASHER – SAE FLAT 21/32 I.D. X 1-5/16 IN. O.D. ZP		
L	18639	WASHER – REG. LOCK 5/8 IN. NOM. I.D. ZP		
M	21594	BOLT – HEX HD 0.625-11 UNC X 1.50		
N	21472	BOLT – RHSN 3/8-16 X .75 GR 5		
P	30228	NUT – FLANGE DT SMTH FACE 0.375-16 UNC		
Q	18599	WASHER – SAE FLAT 17/32 I.D. X 1-1/16 IN. O.D. ZP		
R	18638	WASHER – REG. LOCK 1/2 IN. NOM. I.D. ZP		
S	<b>18723</b>	<b>BOLT – HEX HD 1/2-13 X 1.5 GR5-AA1J</b>		
T	135799	NUT – HEX FLG CTR LOC M10 X 1.5-10-A3L		
U	136431	NUT – HEX FLG CTR LOC M12 X 1.75-10-A3L		
V	184662	BOLT – RHSN TFL M10 X 1.5 X 30-8.8-A3L		
W	184667	BOLT – RHSN M12 X 1.75 X 30-8.8-AA1J		
X	136137	BOLT – HEX HD TFL M16 X 2 X 35-8.8-AA1J		
Y	136455	BOLT – HEX HD M16 X 2 X 85-8.8-A3L		
Z	136440	NUT – HEX FLG CTR LOC M16 X 2-10-A3L		
AA	21456	BOLT – HH FLG (SER FACE) 1/4 NC X 0.75 GR 5 ZP		
AB	18636	WASHER – REG. LOCK 5/16 IN. NOM. I.D. ZP		
AC	18637	WASHER – REG. LOCK 3/8 IN. NOM. I.D. ZP		
AD	184717	WASHER – FLAT REG M16-200HV-AA1J		

356. To verify which pump assembly is installed, refer to Section *100 Pump Assemblies – Identifying Pump, page 291*. For Bosch/Rexroth service parts, refer to Section *101 Pump Assembly – Bosch/Rexroth, page 293*.

357. To verify which pump assembly is installed, refer to Section *100 Pump Assemblies – Identifying Pump, page 291*. For Parker Hannifin service parts, refer to Section *102 Pump Assembly – Parker Hannifin (2022 Only), page 297*.

358. To verify which pump assembly is installed, refer to Section *100 Pump Assemblies – Identifying Pump, page 291*. For Eaton service parts, refer to Section *103 Pump Assembly – Eaton (2022 Only), page 301*.

# 100 Pump Assemblies – Identifying Pump





## PUMP ASSEMBLIES – IDENTIFYING PUMP

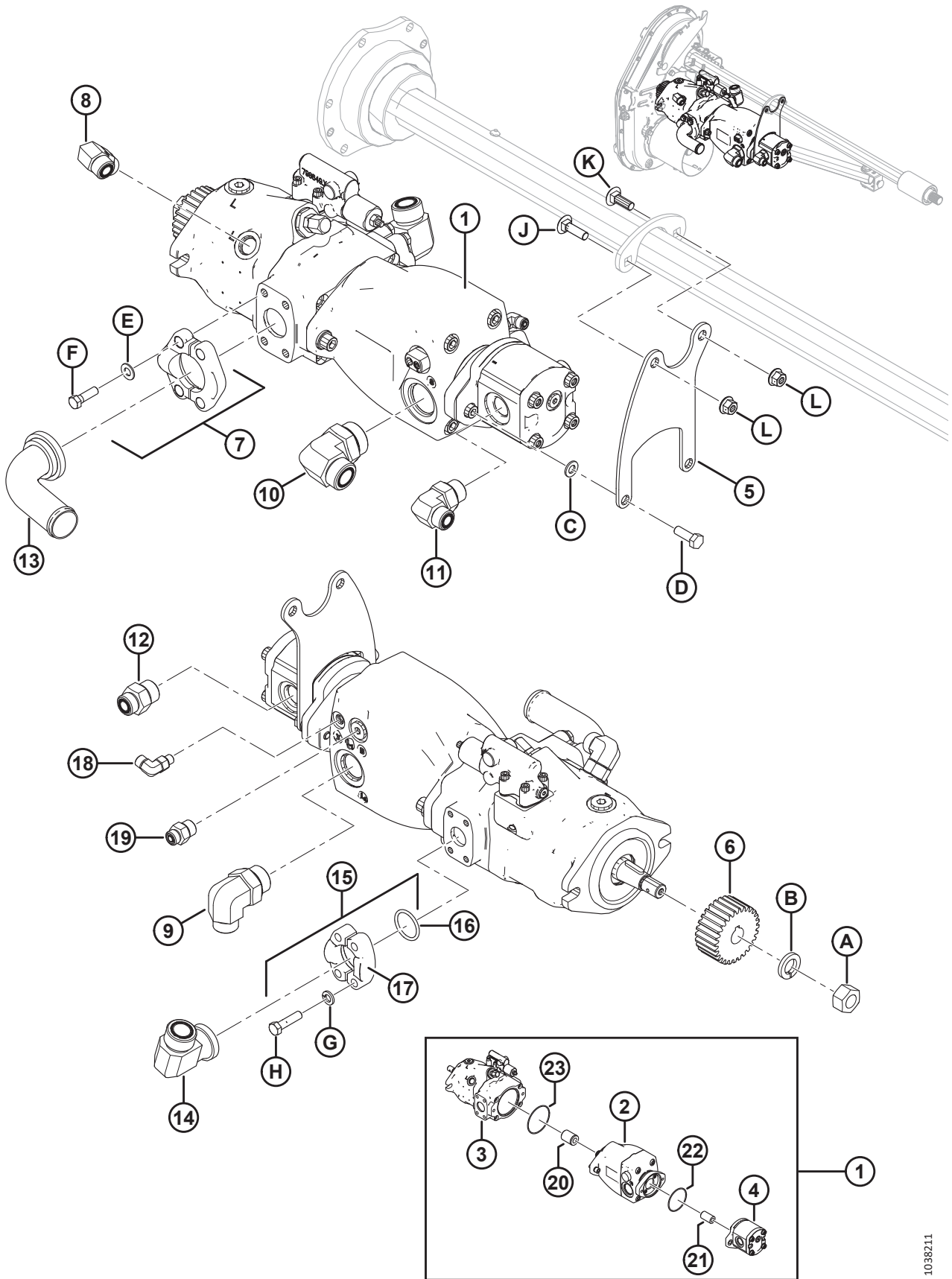
**NOTE:**

The Bosch/Rexroth pump assembly is installed on model year 2021 and prior float modules, some model year 2022 float modules, and model year 2023 and later float modules. Many model year 2022 float modules have either a Parker or Eaton pump assembly installed. Refer to the parts table and illustration to identify which pump assembly is installed.

- **Bosch/Rexroth (1)** – Color: Black; refer to the illustration for serial plate locations. For service parts, refer to Section [101 Pump Assembly – Bosch/Rexroth, page 293](#).
- **Parker Hannifin (2)** – Color: Black; refer to the illustration for serial plate locations. For service parts, refer to Section [102 Pump Assembly – Parker Hannifin \(2022 Only\), page 297](#).
- **Eaton (3)** – Color: Grey; refer to the illustration for serial plate locations. For service parts, refer to Section [103 Pump Assembly – Eaton \(2022 Only\), page 301](#).

Ref	Part Number	Description	Qty	Serial Number
1	NSS	PUMP ASSEMBLY – BOSCH/REXROTH		
2	NSS	PUMP ASSEMBLY – PARKER HANNIFIN		
3	NSS	PUMP ASSEMBLY – EATON		
4	REF	SERIAL PLATE		

# 101 Pump Assembly – Bosch/Rexroth



1038211

## PUMP ASSEMBLY – BOSCH/REXROTH

**NOTE:**

Some float modules may have been shipped with Bosch/Rexroth gear pumps, which are not sold separately. To replace complete gear pump, order 16 cc or 19 cc Casappa gear pump and seal kit listed in parts list. To service seal kit on Bosch/Rexroth gear pumps, order seal kit MD #187967. For more information regarding gear pumps, refer to your header technical manual.

Ref	Part Number	Description	Qty	Serial Number
1	NSS	PUMP ASSEMBLY <sup>359</sup>	1	
2	311466	PUMP – PISTON, SIDE DRAPER	1	
	335447	VALVE – PUMP CONTROL C/W CAP <sup>360</sup>		
	335446	CAP – VINYL		
3	248089	PUMP – PISTON, KNIFE DRIVE	1	
	294890	SEAL KIT – KNIFE DRIVE PISTON PUMP C/W INSTRUCTION		
	326217	CAP – DISP ADJUST C/W O-RING		
	326218	KEY – PARALLEL, 1/4 IN. ROUND ENDS		
4	187252	PUMP – GEAR, 16 CC, FEED DRAPER (CNH/CLAAS)	1	
	295998	PUMP – GEAR, 19 CC, FEED DRAPER (JD/AGCO)	1	
	187918	SEAL KIT – GEAR PUMP (CASAPPA) <sup>361</sup>		
	REF	SEAL KIT – GEAR PUMP (BOSCH/REXROTH) <sup>362</sup>		
5	<b>326286</b>	<b>BRACKET – PUMP TAIL SUPPORT</b>	<b>1</b>	
6	276859	GEAR – PINION 28 TEETH 2.5 MODULE (CNH/JD)	1	
	276352	GEAR – PINION 36 TEETH 2.5 MODULE (CLAAS/AGCO)	1	
7	136246	KIT – SPLIT FLANGE, 1.5 IN. CD 61 <sup>363</sup>	1	
	135400	O-RING – 1.859 IN. I.D. X 0.139 IN. WALL		
8	136089	FITTING – ELBOW 90° HYD	1	
	44210	O-RING – #10 ORB		
	135867	O-RING – #10 ORFS		
9	135901	FITTING – ELBOW 90° HYD	1	
	50220	O-RING – #20 ORB		
	135868	O-RING – #12 ORFS		
10	136766	FITTING – ELBOW 90° HYD 20-16	1	
	50220	O-RING – #20 ORB		
	135554	O-RING – #16 ORFS		
11	136347	FITTING – ELBOW 90° HYD	1	
	30971	O-RING – #12 ORB		
	135867	O-RING – #10 ORFS		
12	135786	FITTING – ADAPTER	1	
	30971	O-RING – #12 ORB		
	135867	O-RING – #10 ORFS		
13	294833	FITTING – HYD ELBOW CODE 61	1	

359. Not serviced as a complete assembly. To service individual components, refer to items #2–4 and 20–23.

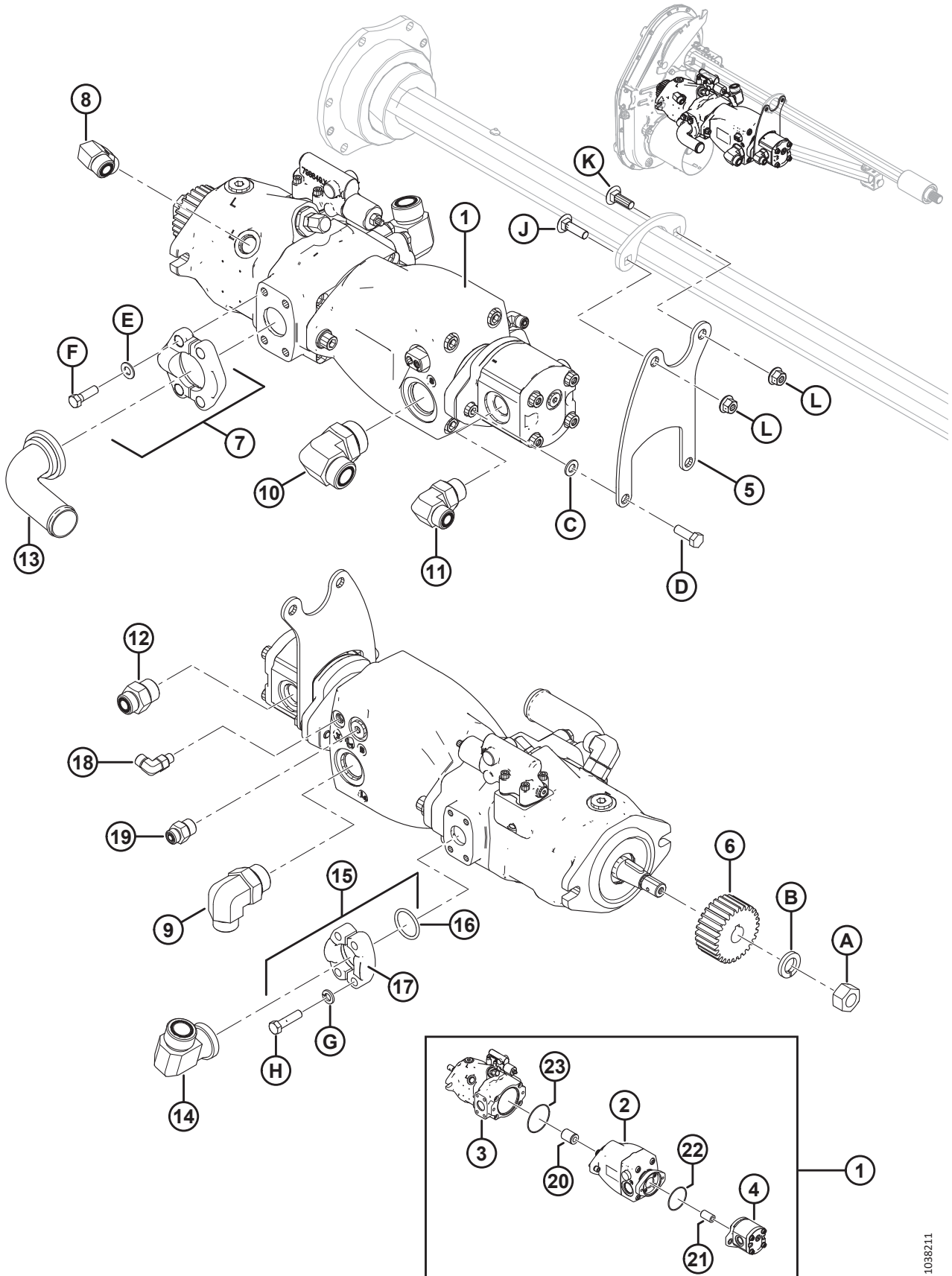
360. Includes vinyl cap (MD #335446).

361. Used in gear pumps (MD #187252 and 295998).

362. To service seal kit on Bosch/Rexroth gear pumps (NSS), order seal kit (MD #187967).

363. Includes two half-split flanges (MD #136106), O-ring (MD #135400), four bolts (MD #252641), and four flat washers (MD #184714).

PUMP ASSEMBLY – BOSCH/REXROTH



1038211

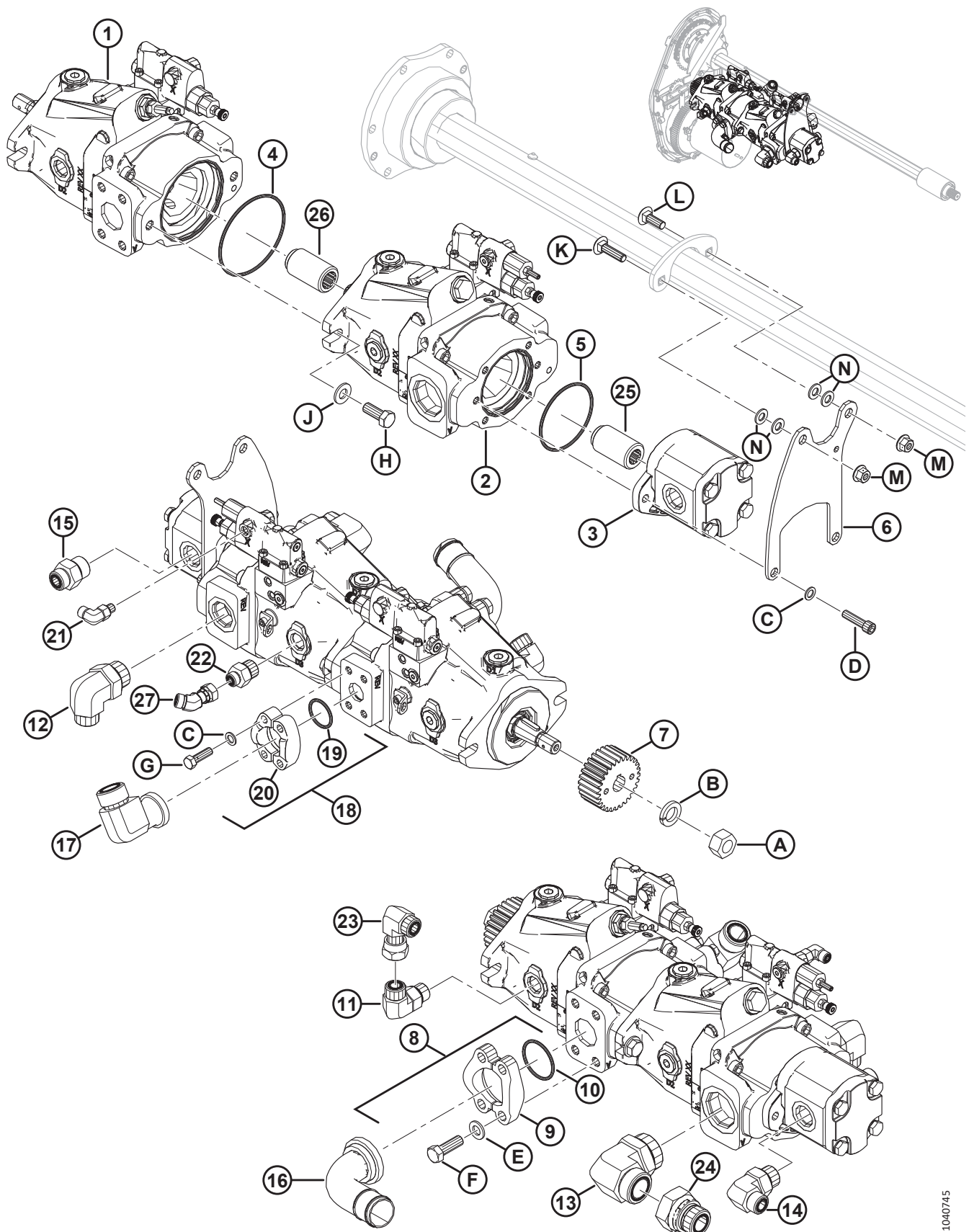
**PUMP ASSEMBLY – BOSCH/REXROTH**

Ref	Part Number	Description	Qty	Serial Number
14	252208	FITTING – 90° #16 FLANGE X #16 MALE ORFS	1	
	112868	O-RING – #16 FLANGE		
	135554	O-RING – #16 ORFS		
15	112866	KIT – SPLIT FLANGE, 1 INCH CD 61 <sup>364</sup>	1	
16	112868	O-RING – 1.296 IN. I.D. X 0.139 IN. WALL	1	
17	194033	FLANGE – HALF SPLIT, 1 INCH, CODE 61	2	
18	136447	FITTING – ELBOW 90° HYD	1	
	50223	O-RING – #4 ORB		
	135957	O-RING – #4 ORFS		
19	191705	FITTING – ADAPTER 6 MORFS X 8 MORB	1	
	44209	O-RING – #8 ORB		
	135865	O-RING – #6 ORFS		
20	295139	COUPLER – SPLINED, 13-13T	1	
21	295140	COUPLER – SPLINED, 20-11T	1	
22	136024	O-RING (3 X 85) <sup>365</sup>	1	
23	294832	O-RING (3 X 104)	1	
A	18720	NUT – HEX 3/4-16 UNF GR 5 ZN PL		
B	18640	WASHER – REG. LOCK 3/4 IN. NOM. I.D. ZP		
C	184711	WASHER – FLAT REG. M10-200HV-A3L		
D	184661	BOLT – HEX HD TFL M10 X 1.5 X 30-8.8-A3L		
E	184714	WASHER – FLAT REG M12-300HV		
F	252642	BOLT – HH 1/2-13 X 1.75-GR8-AA3L		
G	30191	WASHER – HARDENED ASTM F436 3/8		
H	252640	BOLT – HH 3/8-16 X 1.25-GR8-AA3L		
J	135691	BOLT – RHSN TFL M10 X 1.5 X 35-8.8-AA1J		
K	184662	BOLT – RHSN TFL M10 X 1.5 X 30-8.8-AA1J		
L	135799	NUT – HEX FLG CTR LOC M10 X 1.5-10		

364. Includes two half-split flanges (MD #194033), O-ring (MD #112868), four bolts (MD #252640), and four flat washers (MD #30191).

365. O-ring (MD #136024) is included in the Gear Pump Conversion kits; refer to Section [147 Gear Pump Conversion Kits, page 415](#). When replacing the gear pump separately, be sure to order O-ring (MD #136024) if the O-ring is worn or damaged.

# 102 Pump Assembly – Parker Hannifin (2022 Only)



1040745

**PUMP ASSEMBLY – PARKER HANNIFIN (2022 ONLY)**

**NOTE:**

Some float modules may have been shipped with Parker gear pumps, which are not sold separately. To replace complete gear pump, order 16 cc or 19 cc Casappa gear pump and seal kit listed in parts list. To service seal kit on Parker gear pumps, order seal kit MD #326295. For more information regarding gear pumps, refer to your MacDon Dealer.

Ref	Part Number	Description	Qty	Serial Number
1	NSS	PUMP – PISTON, KNIFE DRIVE (PARKER) <sup>366</sup>	1	
	326218	KEY – PARALLEL, 1/4 IN. ROUND ENDS		
	326292	KIT – SEAL, PISTON PUMP (PARKER)		
2	NSS	PUMP – PISTON, SIDE DRAPER <sup>367</sup>	1	
	326292	KIT – SEAL, PISTON PUMP (PARKER)		
3	187252	PUMP – GEAR, 16 CC, FEED DRAPER (CNH/CLAAS)	1	
	295998	PUMP – GEAR, 19 CC, FEED DRAPER (JD/AGCO)	1	
	187918	SEAL KIT – GEAR PUMP <sup>368</sup>		
	REF	SEAL KIT – GEAR PUMP <sup>369</sup>		
4	320415	O-RING – 3.5 X 104.4	1	
5	320414	O-RING – 3.5 X 85.3	1	
6	326286	BRACKET – PUMP TAIL SUPPORT	1	
7	276859	GEAR – PINION 28 TEETH 2.5 MODULE (CNH/JD)	1	
	276352	GEAR – PINION 36 TEETH 2.5 MODULE (CLAAS/AGCO)	1	
8	136246	KIT – SPLIT FLANGE, 1.5 IN. CD 61 <sup>370</sup>	1	
9	136106	FLANGE – HALF SPLIT, 1.5 IN.	2	
10	135400	O-RING – 1.859 IN. I.D. X 0.139 IN. WALL	1	
11	136089	FITTING – ELBOW 90° HYD	1	
	44210	O-RING – #10 ORB		
	135867	O-RING – #10 ORFS		
12	135901	FITTING – ELBOW 90° HYD	1	
	50220	O-RING – #20 ORB		
	135868	O-RING – #12 ORFS		
13	320116	FITTING – ELBOW 90° HYD	1	
14	136347	FITTING – ELBOW 90° HYD	1	
	30971	O-RING – #12 ORB		
	135867	O-RING – #10 ORFS		
15	135786	FITTING – ADAPTER	1	
	30971	O-RING – #12 ORB		
	135867	O-RING – #10 ORFS		
16	294833	FITTING – HYD ELBOW CODE 61	1	

366. If replacing a Parker knife drive pump, order knife drive pump service kit (MD #326299). Refer to Section [104 Knife Drive Pump Service Kit, page 305](#).

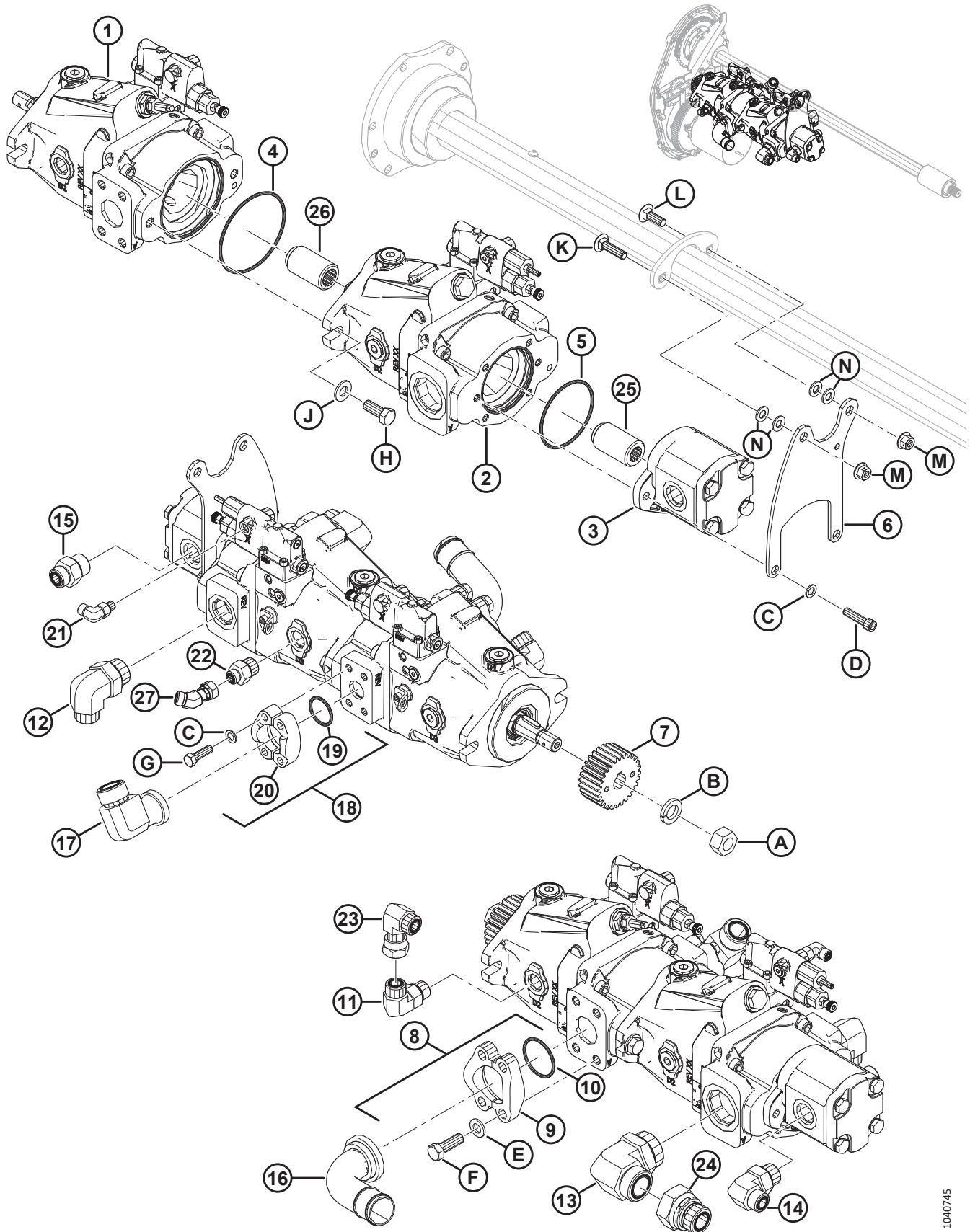
367. If replacing a Parker draper drive pump, order draper drive pump service kit (MD #326300). Refer to Section [105 Draper Drive Pump Service Kit, page 307](#).

368. Used in gear pumps (MD #187252 and 295998).

369. To service seal kit on Parker gear pumps (NSS), order seal kit (MD #326295).

370. Includes two half-split flanges (MD #136106), O-ring (MD #135400), four bolts (MD #252641), and four flat washers (MD #184714).

PUMP ASSEMBLY – PARKER HANNIFIN (2022 ONLY)



1040745

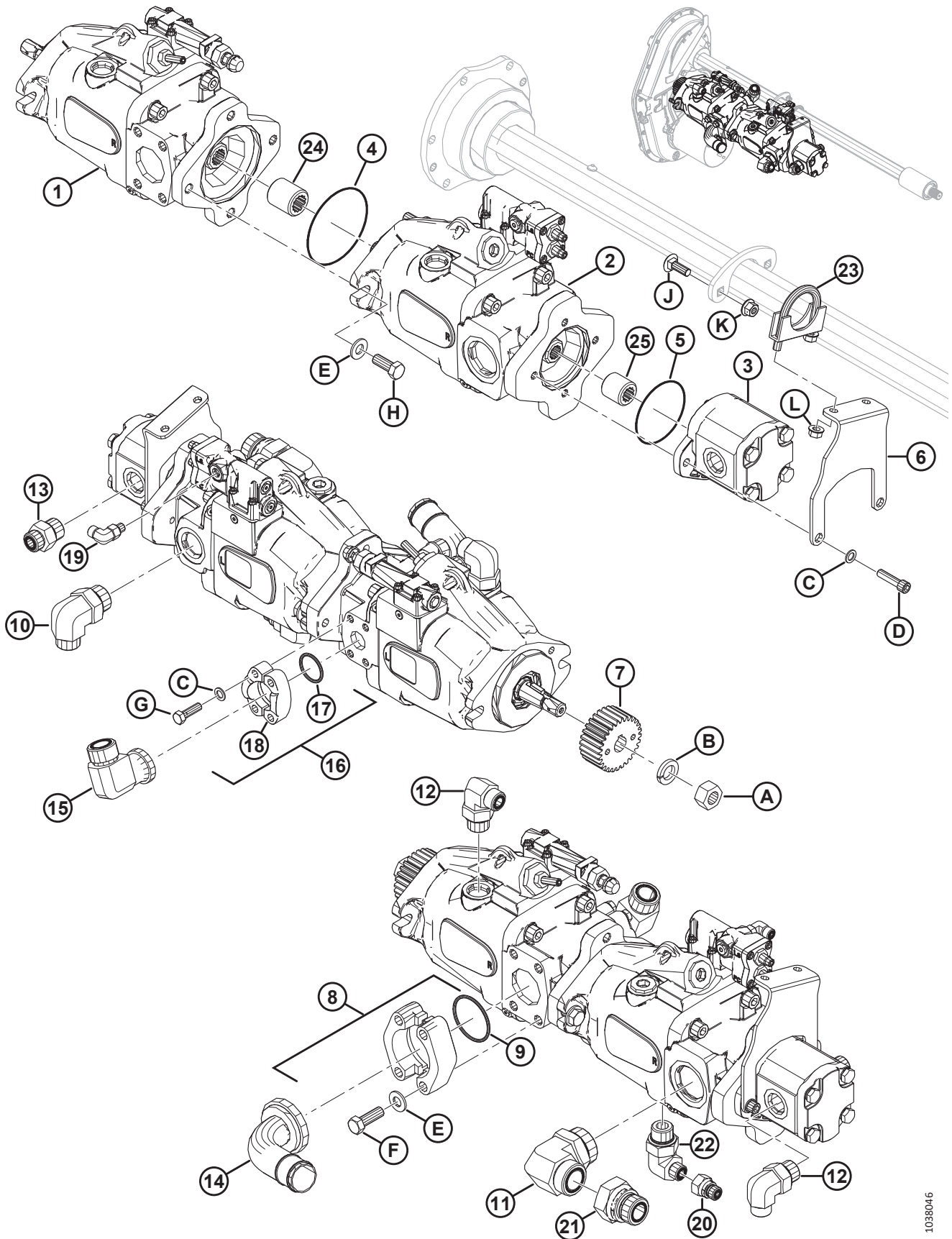


**PUMP ASSEMBLY – PARKER HANNIFIN (2022 ONLY)**

Ref	Part Number	Description	Qty	Serial Number
17	252208	FITTING – 90° #16 FLANGE X #16 MALE ORFS	1	
	112868	O-RING – #16 FLANGE		
	135554	O-RING – #16 ORFS		
18	112866	KIT – SPLIT FLANGE, 1 INCH CD 61 <sup>371</sup>	1	
19	112868	O-RING – 1.296 IN. I.D. X 0.139 IN. WALL	1	
20	194033	FLANGE – HALF SPLIT, 1 INCH, CODE 61	2	
21	136447	FITTING – ELBOW 90° HYD	1	
	50223	O-RING – #4 ORB		
	135957	O-RING – #4 ORFS		
22	184462	FITTING – ADAPTER HYD	1	
	44210	O-RING – Ø2.46 X Ø19.18		
	135865	O-RING – Ø1.78 X Ø9.25		
23	136846	FITTING – ELBOW 90° HYD	1	
24	252076	FITTING – REDUCER HYD	1	
	135554	O-RING – #16 ORFS		
25	326294	COUPLER – SPLINED, 19-11T		
26	326293	COUPLER – SPLINED, 19-13T		
27	<b>136155</b>	<b>FITTING – ELBOW 45° HYD</b>	<b>1</b>	
	<b>135865</b>	<b>O-RING – Ø1.78 X Ø9.25</b>		
A	18720	NUT – HEX 3/4-16 UNF GR 5 ZN PL		
B	18640	WASHER – REG. LOCK 3/4 IN. NOM. I.D. ZP		
C	30191	WASHER – HARDENED ASTM F436 3/8		
D	115672	SCREW – HEX SOC HD 3/8-16 X 1.5		
E	184714	WASHER – FLAT REG M12-300HV		
F	252641	BOLT – HH 1/2-13 X 1.5-GR8-AA3L		
G	252640	BOLT – HH 3/8-16 X 1.25-GR8-AA3L		
H	21491	BOLT – HEX HD 1/2-13 X 1.25 GR5-AA1J		
J	135369	WASHER – HARDENED ASTM F436 1/2		
K	152732	BOLT – RHSN M10 X 1.5 X 40-8.8-AA1J		
L	184662	BOLT – RHSN TFL M10 X 1.5 X 30-8.8-AA1J		
M	135799	NUT – HEX FLG CTR LOC M10 X 1.5-10		
N	184711	WASHER – FLAT REG M10-200HV-AA1J		

371. Includes two half-split flanges (MD #194033), O-ring (MD #112868), four bolts (MD #252640), and four flat washers (MD #30191).

# 103 Pump Assembly – Eaton (2022 Only)



**PUMP ASSEMBLY – EATON (2022 ONLY)**

**NOTE:**

Some float modules may have been shipped with Eaton gear pumps, which are not sold separately. To replace complete gear pump, order 16 cc or 19 cc Casappa gear pump and seal kit listed in parts list. To service seal kit on Eaton gear pumps, order seal kit MD #326295. For more information regarding gear pumps, refer to your MacDon Dealer.

Ref	Part Number	Description	Qty	Serial Number
1	NSS	PUMP – PISTON, KNIFE DRIVE <sup>372</sup>	1	
	180094	KEY – 1/4 IN. SQ X 13/16 IN. LG		
	326296	KIT – SEAL, PISTON PUMP (EATON)		
2	NSS	PUMP – PISTON, SIDE DRAPER <sup>373</sup>	1	
	326296	KIT – SEAL, PISTON PUMP (EATON)		
3	187252	PUMP – GEAR, 16 CC, FEED DRAPER (CNH/CLAAS)	1	
	295998	PUMP – GEAR, 19 CC, FEED DRAPER (JD/AGCO)	1	
	187918	SEAL KIT – GEAR PUMP (CASAPPA) <sup>374</sup>		
	REF	SEAL KIT – GEAR PUMP (EATON) <sup>375</sup>		
4	320417	O-RING – 1.8 X 101.3	1	
5	320438	O-RING – 1.8 X 82.3	1	
6	326237	BRACKET – TAIL SUPPORT, FORMED	1	
7	276859	GEAR – PINION 28 TEETH 2.5 MODULE (CNH/JD)	1	
	276352	GEAR – PINION 36 TEETH 2.5 MODULE (CLAAS/AGCO)	1	
8	339588	KIT – SPLIT FLANGE, 2 IN. CD61 <sup>376</sup>	1	
9	112867	O-RING – 3.53 X 56.14	1	
10	135901	FITTING – ELBOW 90° HYD	1	
	50220	O-RING – #20 ORB		
	135868	O-RING – #12 ORFS		
11	320116	FITTING – ELBOW 90° HYD	1	
12	136347	FITTING – ELBOW 90° HYD	2	
	30971	O-RING – #12 ORB		
	135867	O-RING – #10 ORFS		
13	135786	FITTING – ADAPTER	1	
	30971	O-RING – #12 ORB		
	135867	O-RING – #10 ORFS		
14	326222	FITTING – HYD ELBOW CODE 61	1	
15	252208	FITTING – 90° #16 FLANGE X #16 MALE ORFS	1	
	112868	O-RING – #16 FLANGE		
	135554	O-RING – #16 ORFS		
16	112866	KIT – SPLIT FLANGE, 1 INCH CD 61 <sup>377</sup>	1	

372. If replacing an Eaton knife drive pump, order knife drive pump service kit (MD #326299). Refer to Section [104 Knife Drive Pump Service Kit, page 305](#).

373. If replacing an Eaton draper drive pump, order draper drive pump service kit (MD #326300). Refer to Section [105 Draper Drive Pump Service Kit, page 307](#).

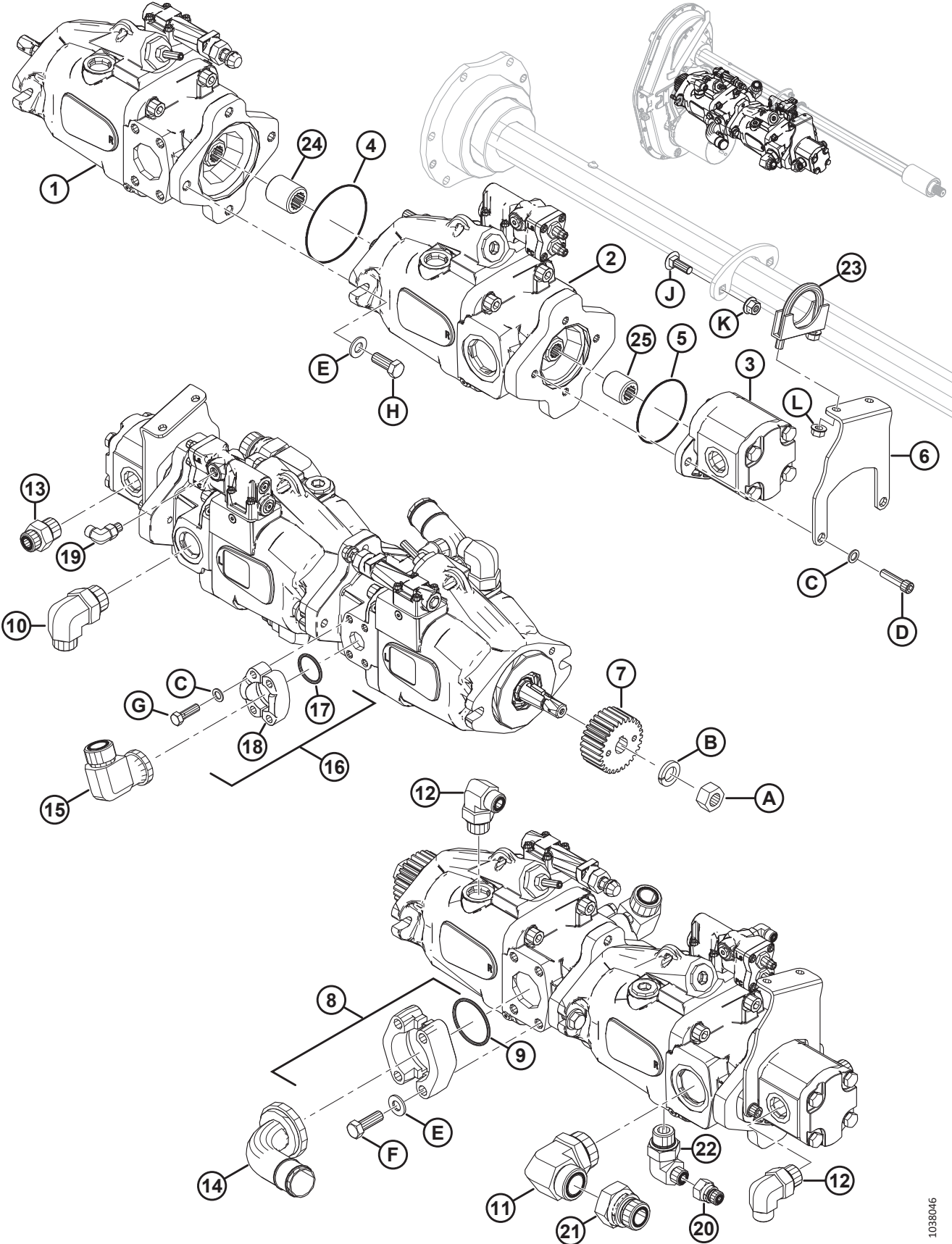
374. Used in gear pumps (MD #187252 and 295998).

375. To service seal kit on Eaton gear pumps (NSS), order seal kit (MD #326295).

376. Includes O-ring (MD #112867), four bolts (MD #252641), and four washers (MD #135369).

377. Includes two half-split flanges (MD #194033), O-ring (MD #112868), four bolts (MD #252640), and four flat washers (MD #30191).

PUMP ASSEMBLY – EATON (2022 ONLY)



1038046

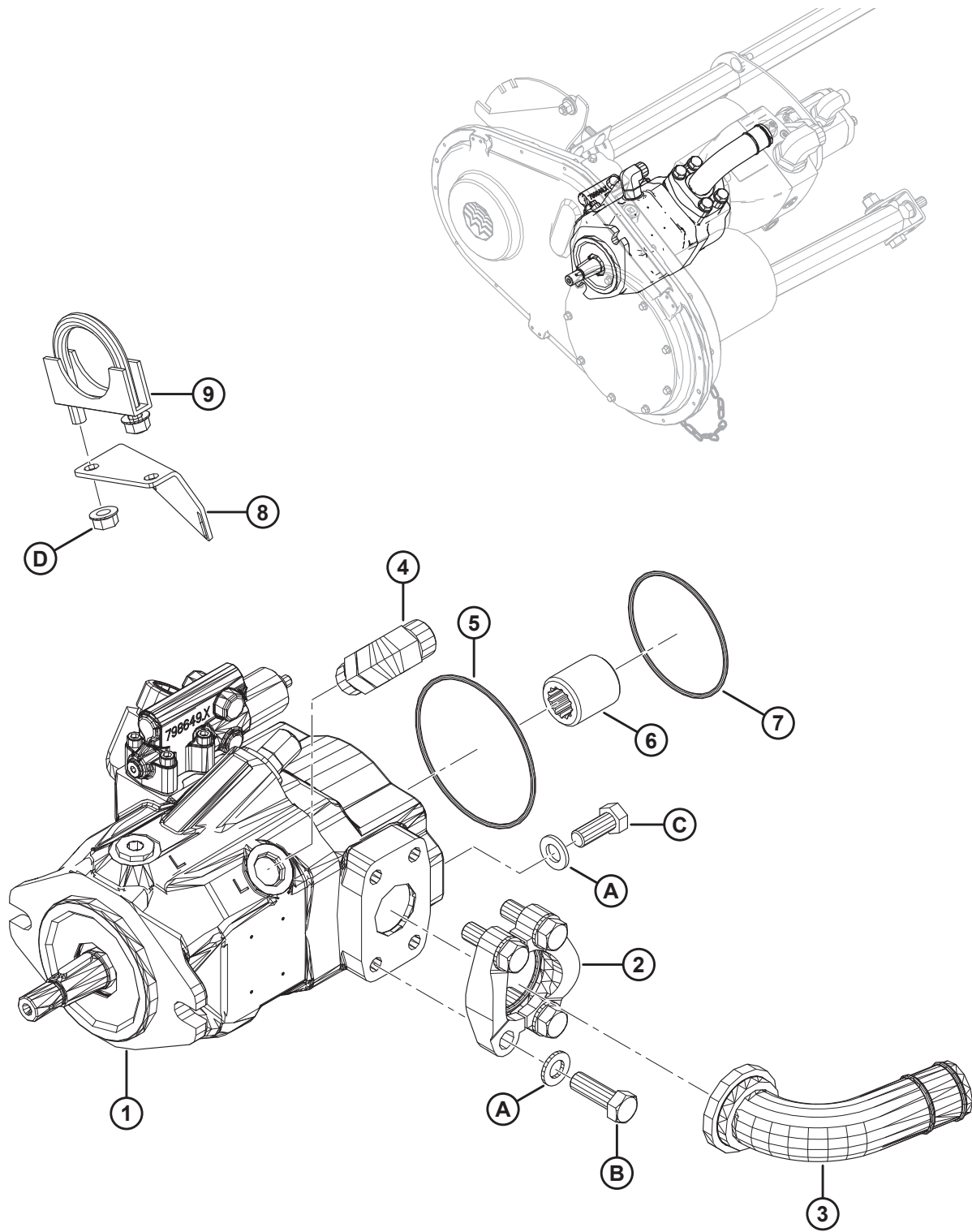
**PUMP ASSEMBLY – EATON (2022 ONLY)**

Ref	Part Number	Description	Qty	Serial Number
17	112868	O-RING – 1.296 IN. I.D. X 0.139 IN. WALL	1	
18	194033	FLANGE – HALF SPLIT, 1 INCH, CODE 61	2	
19	136447	FITTING – ELBOW 90° HYD	1	
	50223	O-RING – #4 ORB		
	135957	O-RING – #4 ORFS		
20	252681	FITTING – REDUCER HYD	1	
21	252076	FITTING – REDUCER HYD	1	
	135554	O-RING – #16 ORFS		
22	135890	FITTING – ELBOW 90° HYD	1	
	30971	O-RING – #12 ORB		
	135866	O-RING – Ø1.78 X Ø12.42		
23	136110	CLAMP – U-BOLT <sup>378</sup>	1	
24	326297	COUPLER – SPLINED, 13T (EATON)	1	
25	326298	COUPLER – SPLINED, 11T (EATON)	1	
A	18720	NUT – HEX 3/4-16 UNF GR 5 ZN PL		
B	18640	WASHER – REG. LOCK 3/4 IN. NOM. I.D. ZP		
C	30191	WASHER – HARDENED ASTM F436 3/8		
D	115672	SCREW – HEX SOC HD 3/8-16 X 1.5		
E	135369	WASHER – HARDENED ASTM F436 1/2		
F	252641	BOLT – HH 1/2-13 X 1.5-GR8-AA3L		
G	252640	BOLT – HH 3/8-16 X 1.25-GR8-AA3L		
H	21491	BOLT – HEX HD 1/2-13 X 1.25 GR5-AA1J		
J	184662	BOLT – RHSN TFL M10 X 1.5 X 30-8.8-AA1J <sup>379</sup>		
K	135799	NUT – HEX FLG CTR LOC M10 X 1.5-10 <sup>379</sup>		
L	21452	NUT – FLG SER FACE 3/8-16 UNC GR5 AA1J		

378. Comes with two flange nuts (MD #21452).

379. This hardware is required to install the P-clip that secures the case drain hose (MD #213167). Refer to Section [110 Hydraulics – Drives and Header Connection, page 321](#).

# 104 Knife Drive Pump Service Kit



**KNIFE DRIVE PUMP SERVICE KIT**

**NOTE:**

The knife pumps on Parker and Eaton pump assemblies are not serviceable. If replacing a Parker or Eaton knife pump, order the knife drive pump service kit (MD #326299). The service kit includes a Bosch knife pump, installation instructions, and the fittings, O-rings, and hardware required to convert the new Bosch pump to the Parker/Eaton setup.

Ref	Part Number	Description	Qty	Serial Number
	326299	KIT – SERVICE , FM100 KNIFE PUMP <sup>380</sup>		
1	248089	PUMP – PISTON, KNIFE DRIVE <sup>381</sup>	1	
2	136246	KIT – SPLIT FLANGE, 1.5" CD 61 <sup>382</sup>	1	
3	294833	FITTING – HYD ELBOW CODE 61	1	
4	136089	FITTING – ELBOW 90° HYD	1	
	44210	O-RING – #10 ORB		
	135867	O-RING – #10 ORFS		
5	294832	O-RING – 3.0 X 104.0	1	
6	295139	COUPLER – SPLINED, 13T	1	
7	136024	O-RING – 3.00 X 85.00	1	
8	326231	BRACKET – HOSE SUPPORT <sup>383</sup>		
9	136110	CLAMP – U-BOLT <sup>384</sup>	1	
A	184714	WASHER – FLAT REG M12-300HV		
B	252642	BOLT – HH 1/2-13 X 1.75-GR8-AA3L		
C	30630	BOLT – HEX HD TFL M12 X 1.75 X 30-8.8-A3L		
D	21452	NUT – FLG SER FACE 3/8-16 UNC GR5 AA1J		

380. Order knife pump service kit (MD #326299) if replacing a Parker or Eaton knife pump. The kit includes instructions and all parts listed in this section.

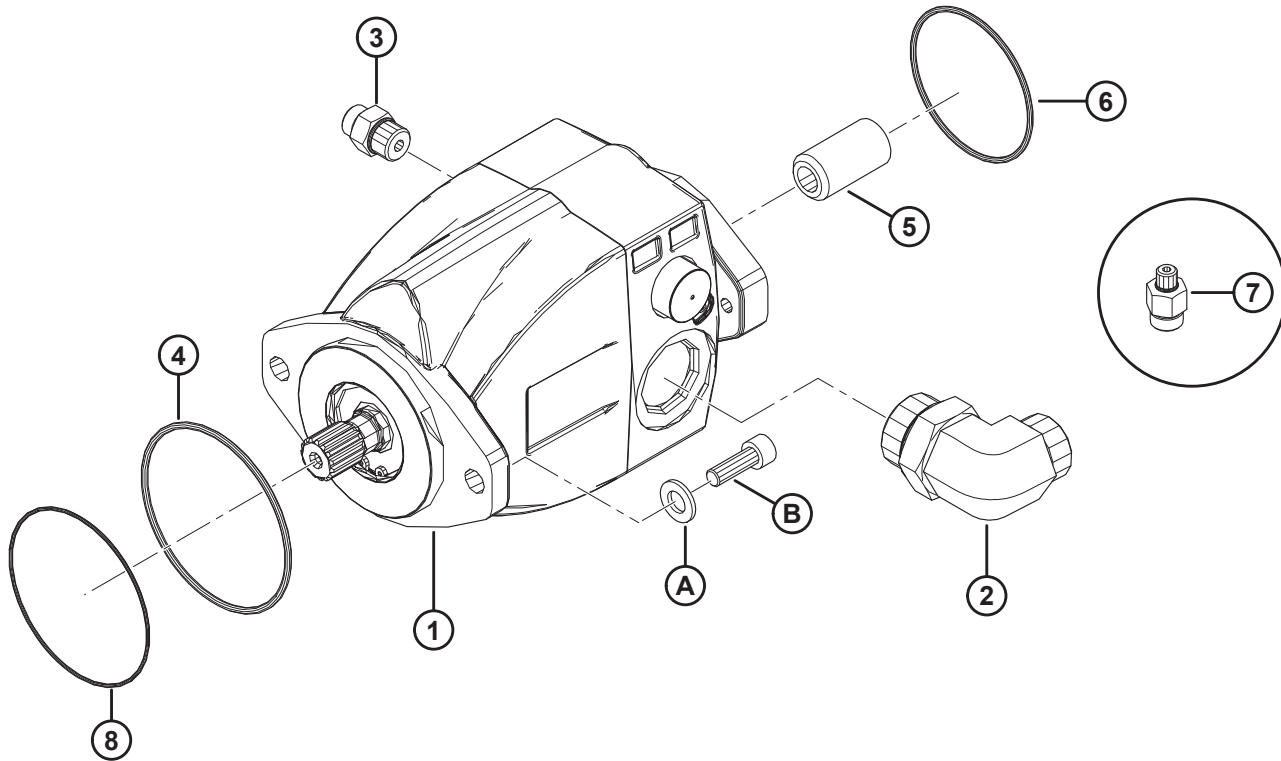
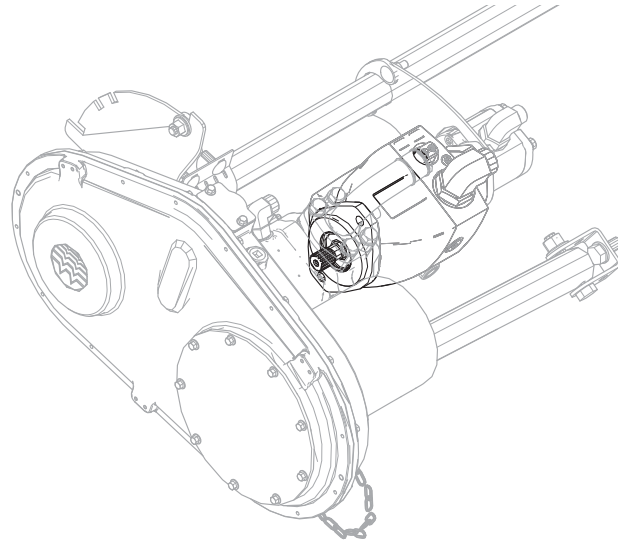
381. O-ring (MD 294832) and shaft coupler (MD #295139) are included with the pump.

382. Includes two half-split flanges (MD #136106), O-ring (MD #135400), four bolts (MD #252641), and four flat washers (MD #184714).

383. Required if the Bosch pump is replacing an Eaton pump.

384. Required if the Bosch pump is replacing an Eaton pump. Comes with two flange nuts (MD #21452).

# 105 Draper Drive Pump Service Kit





**DRAPER DRIVE PUMP SERVICE KIT**

**NOTE:**

The draper pumps on Parker and Eaton pump assemblies are not serviceable. If replacing a Parker or Eaton draper pump, order the draper drive pump service kit (MD #326300). The service kit includes a Bosch draper pump, installation instructions, and the fittings, O-rings, and hardware required to convert the new Bosch pump to the Parker/Eaton setup.

Ref	Part Number	Description	Qty	Serial Number
	326300	KIT – SERVICE , FM100 KNIFE PUMP <sup>385</sup>		
1	311466	PUMP – PISTON, DRAPER DRIVE <sup>386</sup>	1	
2	136766	FITTING- – ELBOW 90° HYD	1	
	50220	O-RING – #20 ORB		
	135554	O-RING – #16 ORFS		
3	191705	FITTING – ADAPTER 6 MORFS X 8 MORB	1	
	44209	O-RING – #8 ORB		
	135865	O-RING – #6 ORFS		
4	<b>320415</b>	<b>O-RING – 3.5 X 104.4</b>	<b>1</b>	
5	295140	COUPLER – SPLINED, 20-11T <sup>387</sup>	1	
6	136024	O-RING – 3.00 X 85.00 <sup>387</sup>	1	
7	135777	FITTING – ADAPTER <sup>388</sup>	1	
	50223	O-RING – #4 ORB		
	135865	O-RING – #6 ORFS		
8	<b>320417</b>	<b>O-RING – 1.8 X 101.3</b>	<b>1</b>	
A	184714	WASHER – FLAT REG M12-300HV		
B	135401	SCREW – HEX SOC HD TFL M10 X 1.5 X 30-8.8-AA1J		

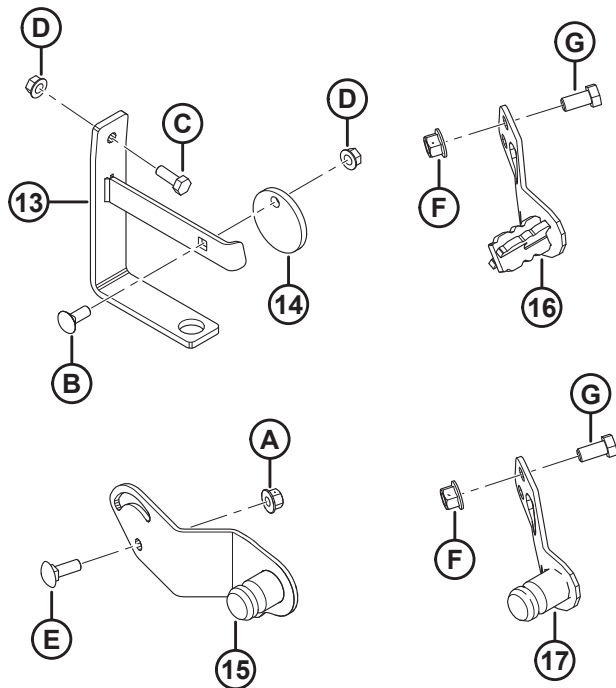
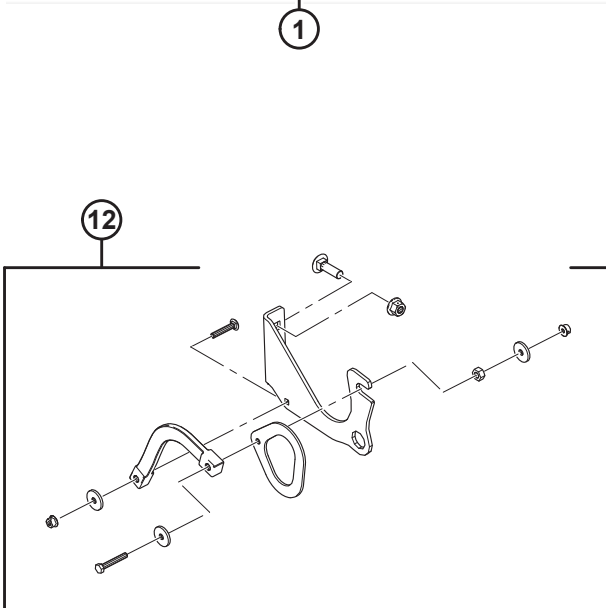
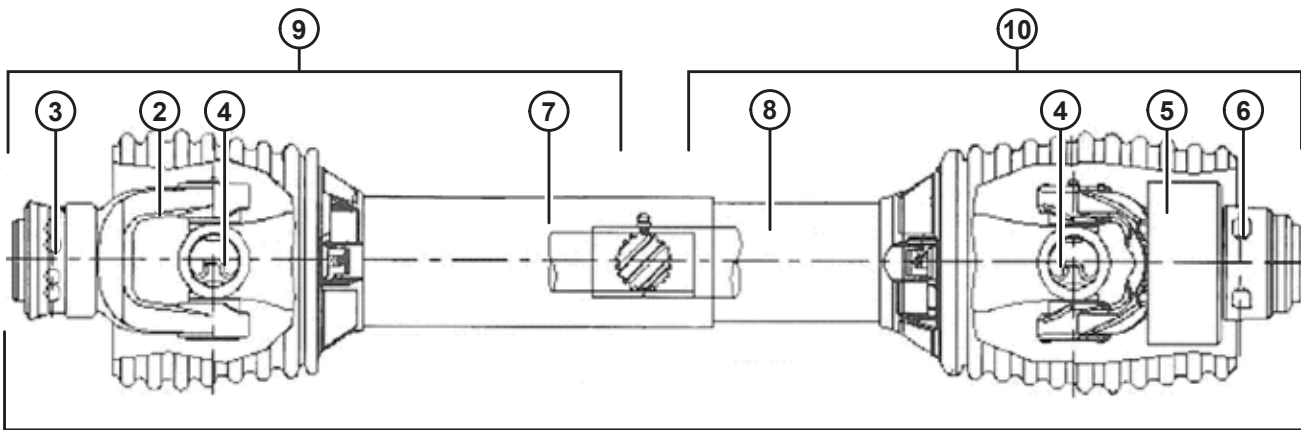
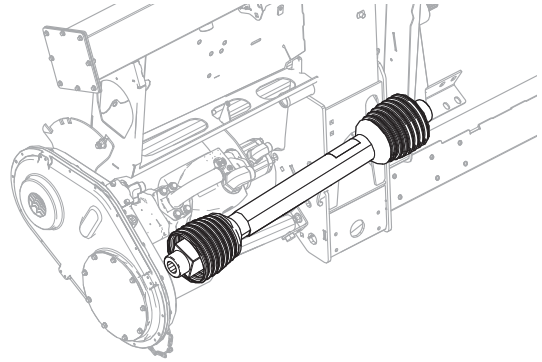
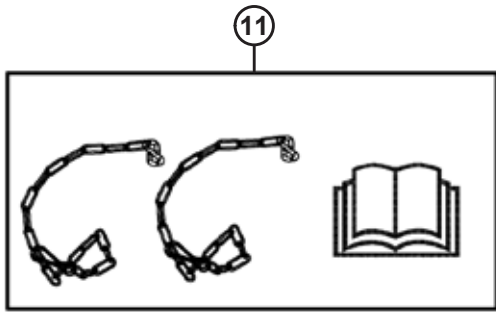
385. Order draper pump service kit (MD #326300) if replacing a Parker or Eaton draper pump. The kit includes instructions and all parts listed in this section.

386. O-ring (MD #136204) and shaft coupler (MD #295140) are included with the pump.

387. Included with pump.

388. For use with diagnostic tee (MD #252554).

# 106 Input Driveline and Support



## INPUT DRIVELINE AND SUPPORT

**NOTE:**

Half driveline kits for the combine end are listed under item #9, and half driveline kits for the header end are listed under item #10. Refer to the footnotes on individual parts to determine which combine models each kit is used for.

Ref	Part Number	Description	Qty	Serial Number
	B6595	KIT – 6T SPLINE CE DRIVELINE, CNH COMBINE <sup>389</sup>		
	B6596	KIT – 21T SPLINE CE DRIVELINE, CNH COMBINE <sup>390</sup>		
1	301996	6T DRIVELINE – COMPLETE (CE CERTIFIED) <sup>391</sup>	1	
	187553	21T DRIVELINE – COMPLETE (CE CERTIFIED) <sup>392</sup>	1	
	187550	21T DRIVELINE – COMPLETE (CE CERTIFIED) <sup>393</sup>	1	
	187551	HEX BORE DRIVELINE – COMPLETE (CE CERTIFIED) <sup>394</sup>	1	
	314306	1 3/4-20 SPL DRIVELINE – COMPLETE (CE CERTIFIED) <sup>395</sup>	1	
	301704	38-8 SPL DRIVELINE – COMPLETE (CE CERTIFIED) <sup>396</sup>	1	
	287814	SHIELD – REPAIR KIT CE	A/R	
2	133634	YOKE – SPRING LOCK, 6T	1	
	133637	YOKE – SPRING LOCK, 21T	1	
	133641	YOKE – SPRING LOCK, HEX BORE <sup>394</sup>	1	
	150890	YOKE – SPRING LOCK, 1 3/4-20 SPLINE <sup>395</sup>	1	
	314657	YOKE – SPRING LOCK, 38-8 SPLINE <sup>396</sup>	1	
3	40095	REPAIR KIT – SPRING LOCK YOKE (6T AND 21T)	A/R	
	133640	REPAIR KIT – SPRING LOCK YOKE (HEX BORE) <sup>394</sup>		
	150891	REPAIR KIT – SPRING LOCK YOKE (1 3/4-20 SPLINE) <sup>395</sup>		
	314656	REPAIR KIT – SPRING LOCK YOKE (38-8 SPLINE) <sup>396</sup>		
4	142777	CROSS JOURNAL ASSEMBLY <sup>397</sup>	2	
5	133631	YOKE – FREE MOTION	1	
6	133632	REPAIR KIT – AUTO LOCK YOKE		

389. Case IH Midrange/Flagship 10/20/30/40 Series, 2016 and prior New Holland CR/CX, and Versatile RT490. Kits available through Whole Goods only.

390. Model year 2017 and later Case and New Holland combines. Kits available through Whole Goods only.

391. Case IH Midrange/Flagship 10/20/30/40 Series, all New Holland CR/CX.

392. JD STS/S Series (except Widebody Walker Machines listed below), CLAAS Lexion, AGCO, and 2017 and later Case and New Holland combines.

393. JD Widebody Walker Machines – 9650/9660, 9660 WTS, and T9670.

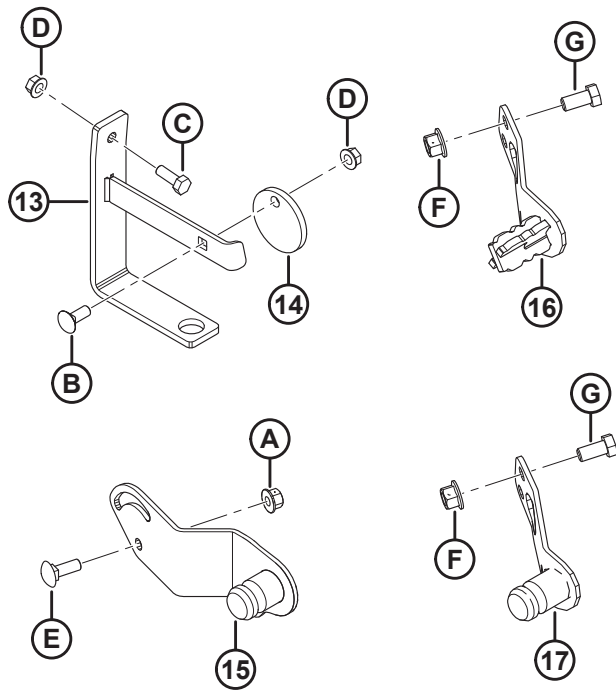
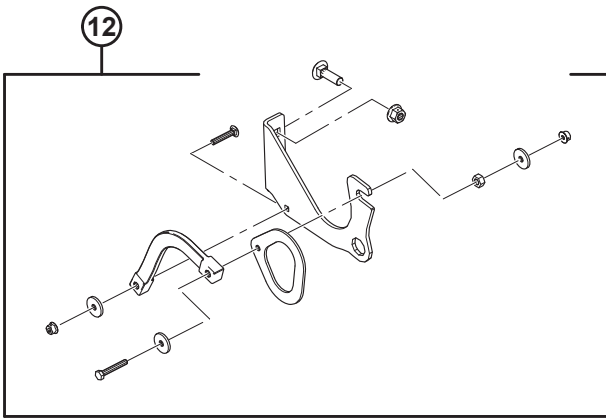
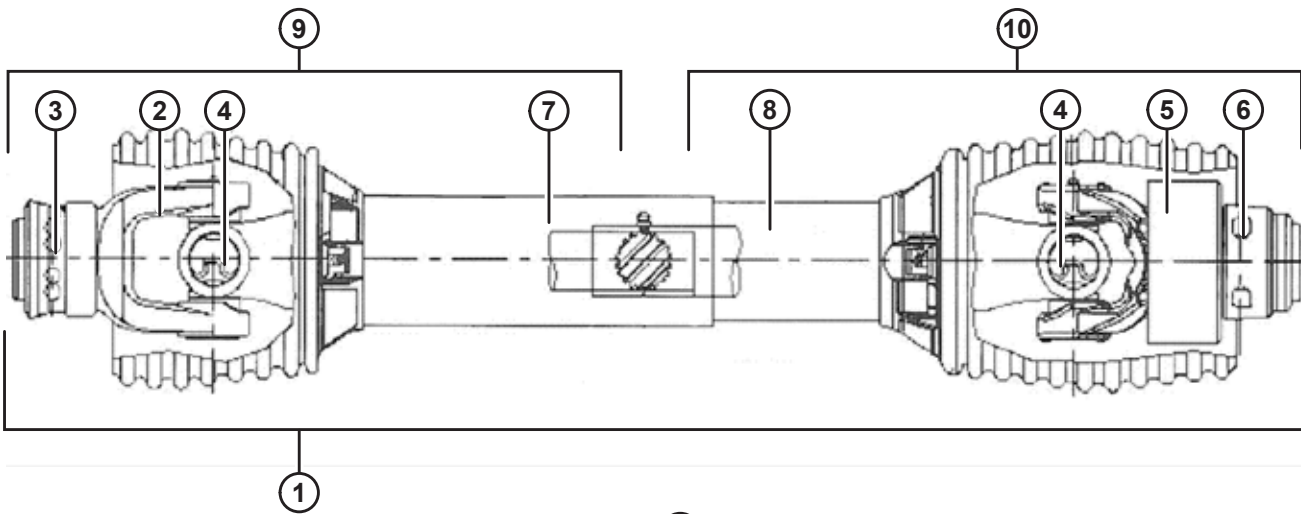
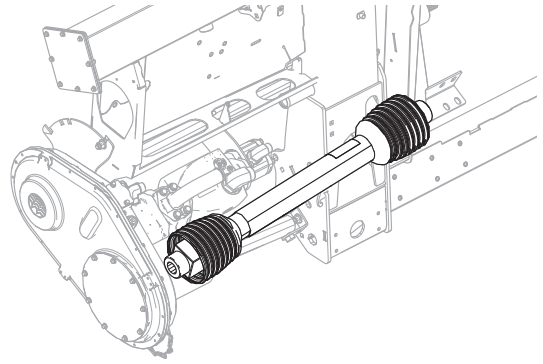
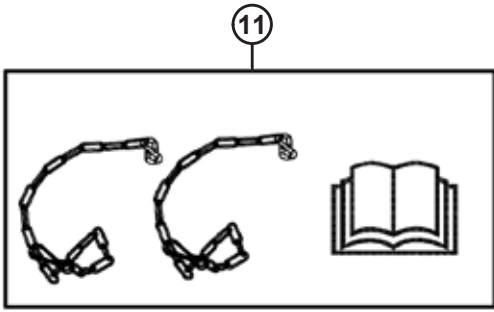
394. Case IH 88 Series and 2300/2500 Series.

395. AGCO IDEAL™7/8/9.

396. Rostselmash 760/780.

397. Includes clips and lube fitting.

INPUT DRIVELINE AND SUPPORT



1026704

**INPUT DRIVELINE AND SUPPORT**

Ref	Part Number	Description	Qty	Serial Number
7	322207	KIT – GUARD, OUTER (6T AND 21T DRIVELINE) <sup>398</sup>	1	
	322203	KIT – GUARD, OUTER (21T DRIVELINE) <sup>399</sup>	1	
	322202	KIT – GUARD, OUTER (HEX BORE DRIVELINE) <sup>400</sup>	1	
	322205	KIT – GUARD, OUTER (1 3/4-20, 38-8 SPL DRIVELINE) <sup>401</sup>	1	
8	322208	KIT – GUARD, INNER (6 T AND 21T DRIVELINE) <sup>398</sup>	1	
	322209	KIT – GUARD, INNER (21T DRIVELINE) <sup>399</sup>	1	
	322210	KIT – GUARD, INNER (HEX BORE DRIVELINE) <sup>400</sup>	1	
	322211	KIT – GUARD, INNER (1 3/4-20, 38-8 SPL DRIVELINE) <sup>401</sup>	1	
9	301997	ASSY – JOINT AND SHAFT HALF CE (6T COMBINE END) <sup>402</sup>	1	
	322212	KIT – HALF DRIVELINE, OUTER (21T COMBINE END) <sup>403</sup>	1	
	322199	KIT – HALF DRIVELINE, OUTER (21T COMBINE END) <sup>399</sup>	1	
	322198	KIT – HALF DRIVELINE, OUTER (HEX BORE COMBINE END) <sup>400</sup>	1	
	314658	ASSY – JOINT AND SHAFT HALF CE (1 3/4-20 SPLINE COMBINE END) <sup>404</sup>	1	
	314653	ASSY – JOINT AND SHAFT HALF CE (38-8 SPLINE COMBINE END) <sup>405</sup>	1	
	220766	SHIELD – REPAIR KIT CE	A/R	
10	322257	KIT – HALF DRIVELINE, INNER (6T AND 21T HEADER END) <sup>398</sup>	1	
	322258	KIT – HALF DRIVELINE, INNER (21T HEADER END) <sup>399</sup>	1	
	322259	KIT – HALF DRIVELINE, INNER (HEX BORE HEADER END) <sup>400</sup>	1	
	322234	KIT – HALF DRIVELINE, INNER (1 3/4-20 AND 38-8 SPL HEADER END) <sup>401</sup>	1	
	220766	SHIELD – REPAIR KIT CE	A/R	
11	171277	KIT – CE CONVERSION (EXPORT) <sup>406</sup>	A/R	-346189

398. JD STS/S Series (except Widebody Walker Machines listed below), CLAAS Lexion, AGCO, Case IH Midrange/Flagship 10/20/30/40 Series, all New Holland CR/CX, 2017 and later CNH combines, and Versatile RT490.

399. JD Widebody Walker Machines – 9650/9660, 9660 WTS, and T9670.

400. Case IH 88 Series and 2300/2500 Series.

401. AGCO IDEAL™ 7/8/9 and Rostselmash 760/780.

402. Case IH Midrange/Flagship 10/20/30/40 Series, 2016 and prior New Holland CR/CX, and Versatile RT490.

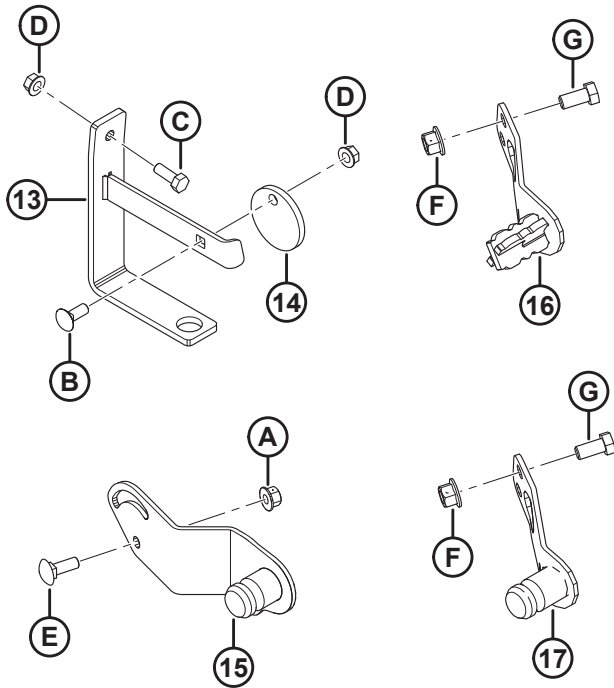
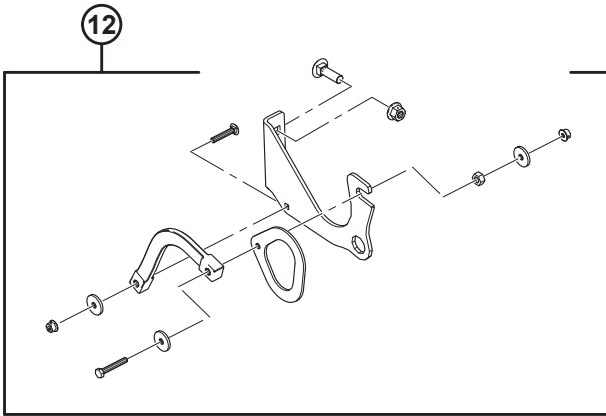
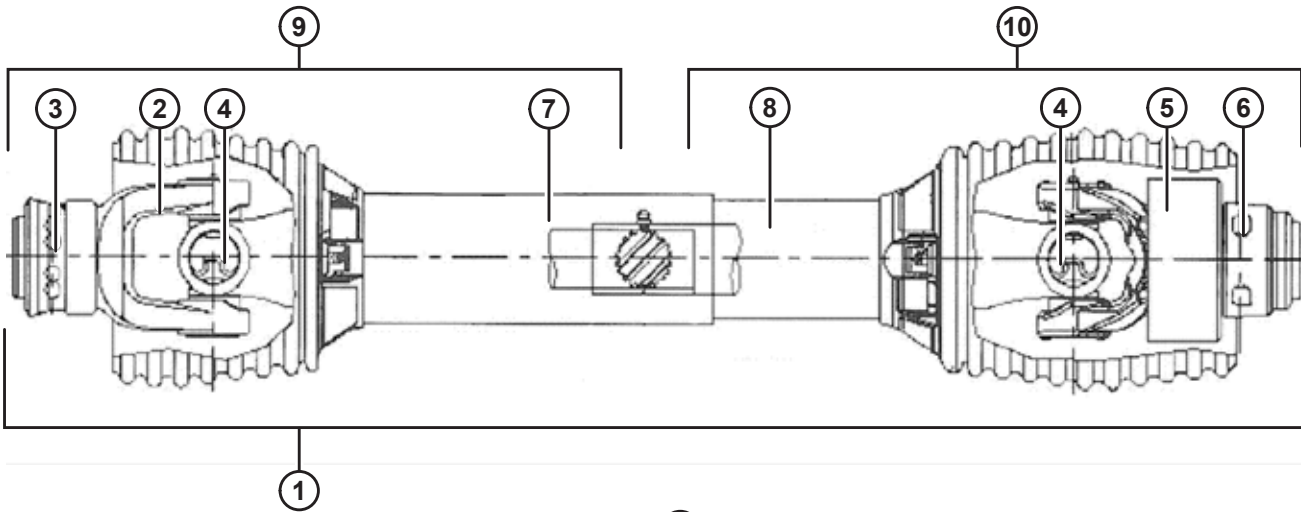
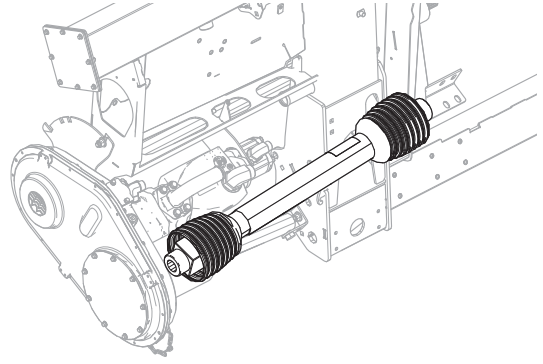
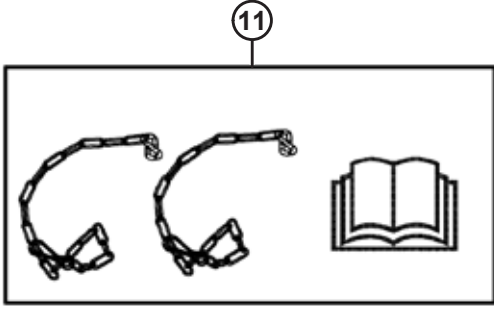
403. JD STS/S Series (except Widebody Walker Machines listed below), CLAAS Lexion, AGCO, and 2017 and later Case and New Holland combines.

404. AGCO IDEAL™ 7/8/9.

405. Rostselmash 760/780.

406. Includes two chains, decals, CE manual, and instruction sheet. Service part only for float modules made in model year 2018 and prior.

INPUT DRIVELINE AND SUPPORT



1026704

**INPUT DRIVELINE AND SUPPORT**

<b>Ref</b>	<b>Part Number</b>	<b>Description</b>	<b>Qty</b>	<b>Serial Number</b>
12	REF	ASSY – DRIVELINE SUPPORT <sup>407</sup>	1	
13	133166	BRACKET – DRIVELINE HANGER (2016–PRIOR) <sup>408</sup>	1	–301189
14	133165	DISC – LOCK, DRIVELINE HANGER (2016–PRIOR) <sup>408</sup>	1	–301189
15	276566	SUPPORT – WELDMENT PTO STORAGE <sup>409</sup>	1	
16	308015	SUPPORT – WELDMENT PTO STORAGE (6T CNH) <sup>410</sup>	1	
17	308124	SUPPORT – WELDMENT PTO STORAGE (21T CNH) <sup>411</sup>	1	301190–
A	135799	NUT – HEX FLG CTR LOC M10 X 1.5-10-A3L		
B	19965	BOLT – RHSN 3/8-16 X 1-GR5-ZP		
C	20077	BOLT – HEX HD 3/8 NC X 1.0 LG GR 5 ZP <sup>412</sup>		
D	30228	NUT – FLG DT SMTH FACE 0.375-16 UNC		
E	184662	BOLT – RHSN TFL M10 X 1.5 X 30-8.8-A3L		
F	136431	NUT – HEX FLG CTR LOCK M12 X 1.75-10		
G	50155	BOLT – HEX HD TFL M12 X 1.75 X 25-8.8-AA1J		

407. Includes support (NSS), hook (NSS), strap (NSS), and hardware. Driveline support assembly replaced by bracket (MD #133166), disc (MD #133165), and hardware B–D for float modules made in model year 2016 and prior.

408. Service part only for float modules made in model year 2016 and prior, AGCO IDEAL™ 7/8/9, Case IH 2300/2500 Series, and Rostselmash 760/780.

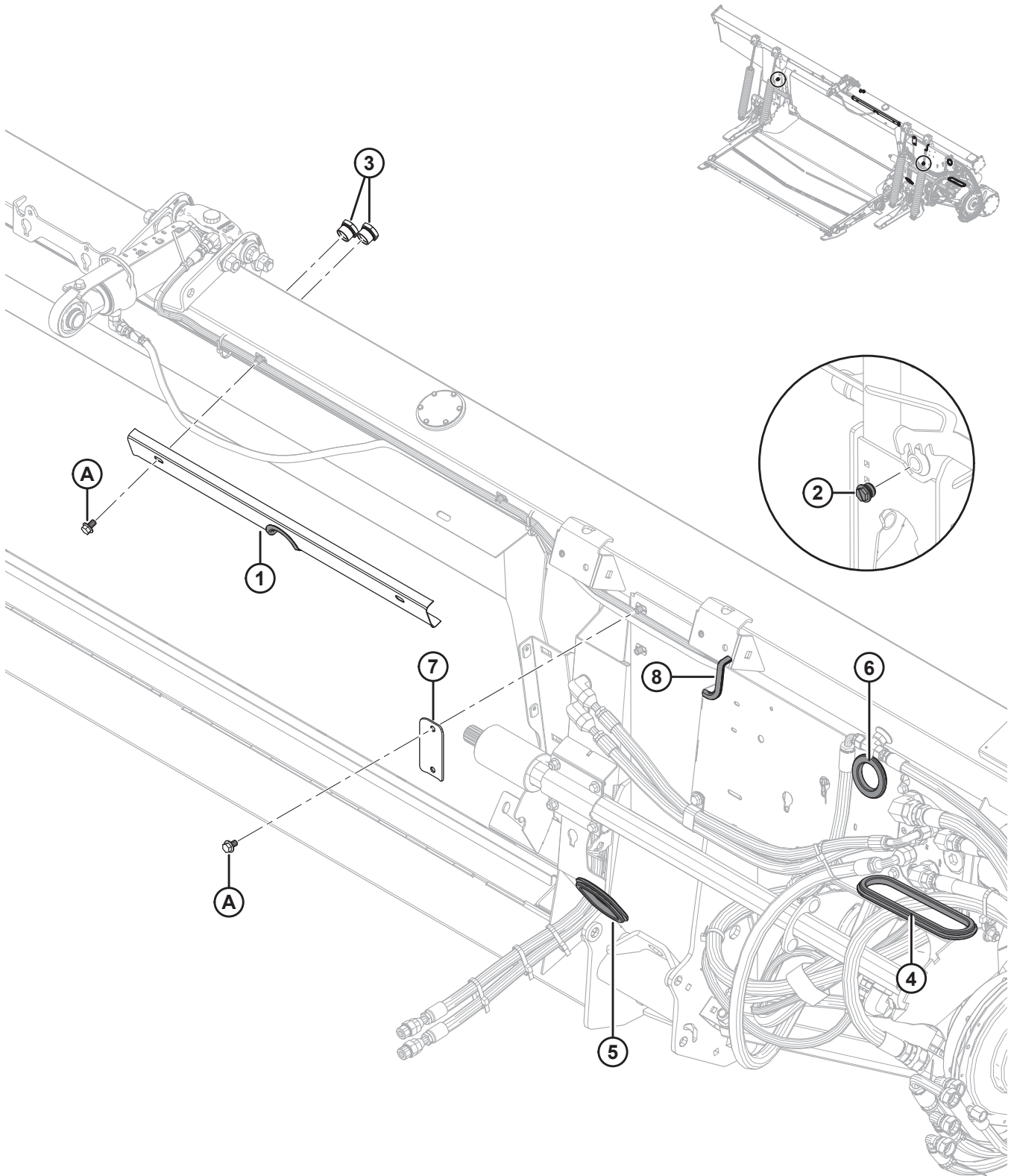
409. Gleaner® R/S, CLAAS Lexion, John Deere, and AGCO.

410. Case IH Midrange/Flagship 10/20/30/40 Series, all New Holland CR/CX, and Versatile RT490.

411. Model year 2017 and later CNH combines.

412. Bolt E (MD #184662) and nut A (MD #135799) used to secure driveline hanger bracket (MD #133166) for AGCO IDEAL™ 7/8/9, Case IH 2300/2500 Series, and Rostselmash 760/780.

# 107 Hydraulics – Frame Components





**HYDRAULICS – FRAME COMPONENTS**

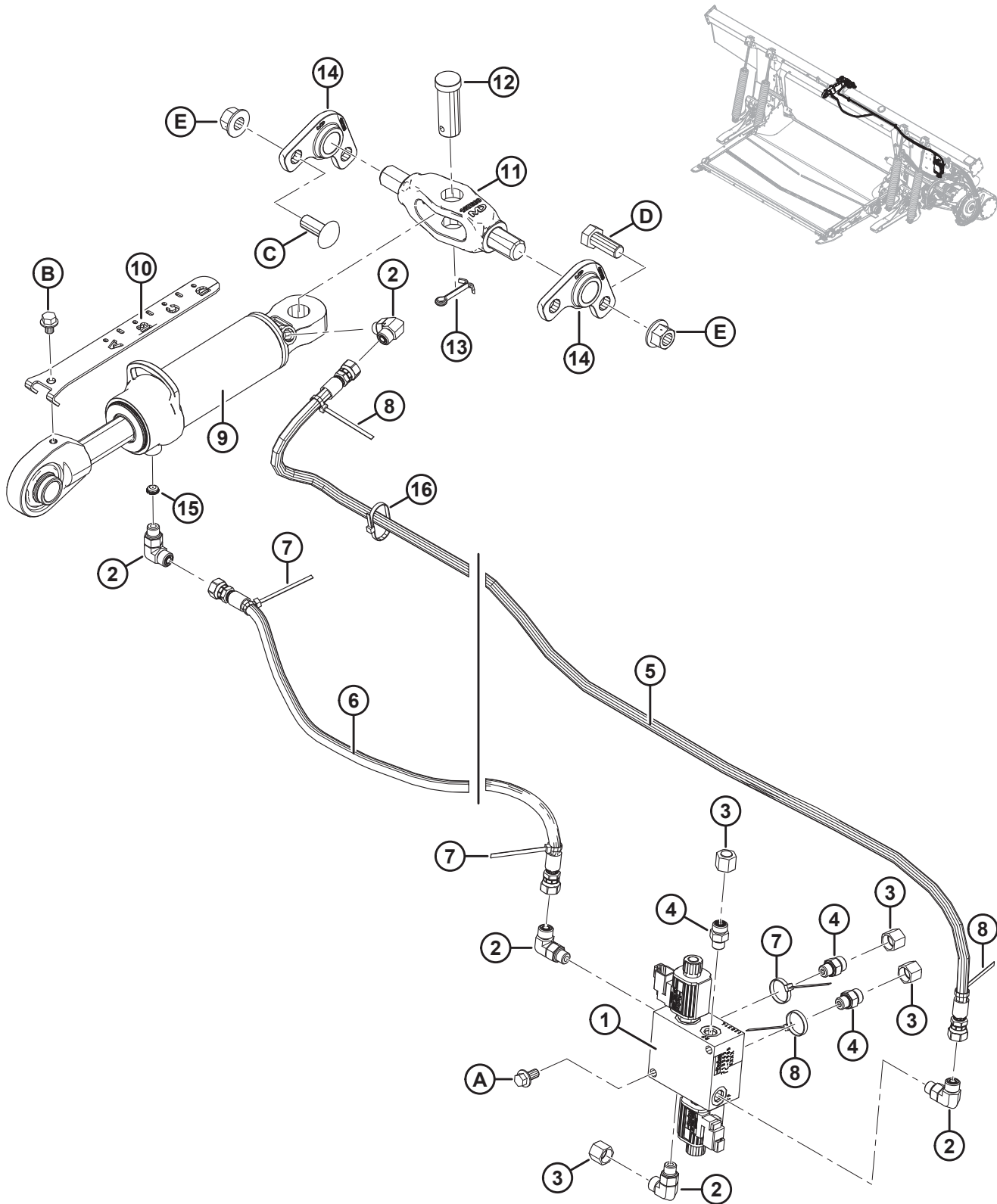
<b>Ref</b>	<b>Part Number</b>	<b>Description</b>	<b>Qty</b>	<b>Serial Number</b>
1	294949	ASSY – HOSE HOLDER <sup>413</sup>	1	
	109791	MOULDING	1	
2	103575	PLUG – HEX CW O-RING <sup>414</sup>	2	371190–
	156051	PLUG – #16 ORB <sup>415</sup>	2	–371189
3	304668	SIGHT GLASS	2	
4	276033	GROMMET – RUBBER	1	
5	276034	GROMMET – RUBBER	1	
6	276560	GROMMET – RUBBER	1	
7	287272	CLAMP – HOSE	1	
8	31889	MOULDING (SPEC 31886)	1	
A	136151	BOLT – HEX FLG HD TFL M10 X 1.5 X 16-8.8-A3L		

413. Includes holder with cutout (not serviced separately) and moulding (MD #109791).

414. For model year 2020 and later. Two drain plugs are located on the rear of the float module frame.

415. For model year 2019 and prior. Two drain plugs are located on the rear of the float module frame.

# 108 Hydraulics – Center-Link and Header Tilt / Reel Fore-Aft

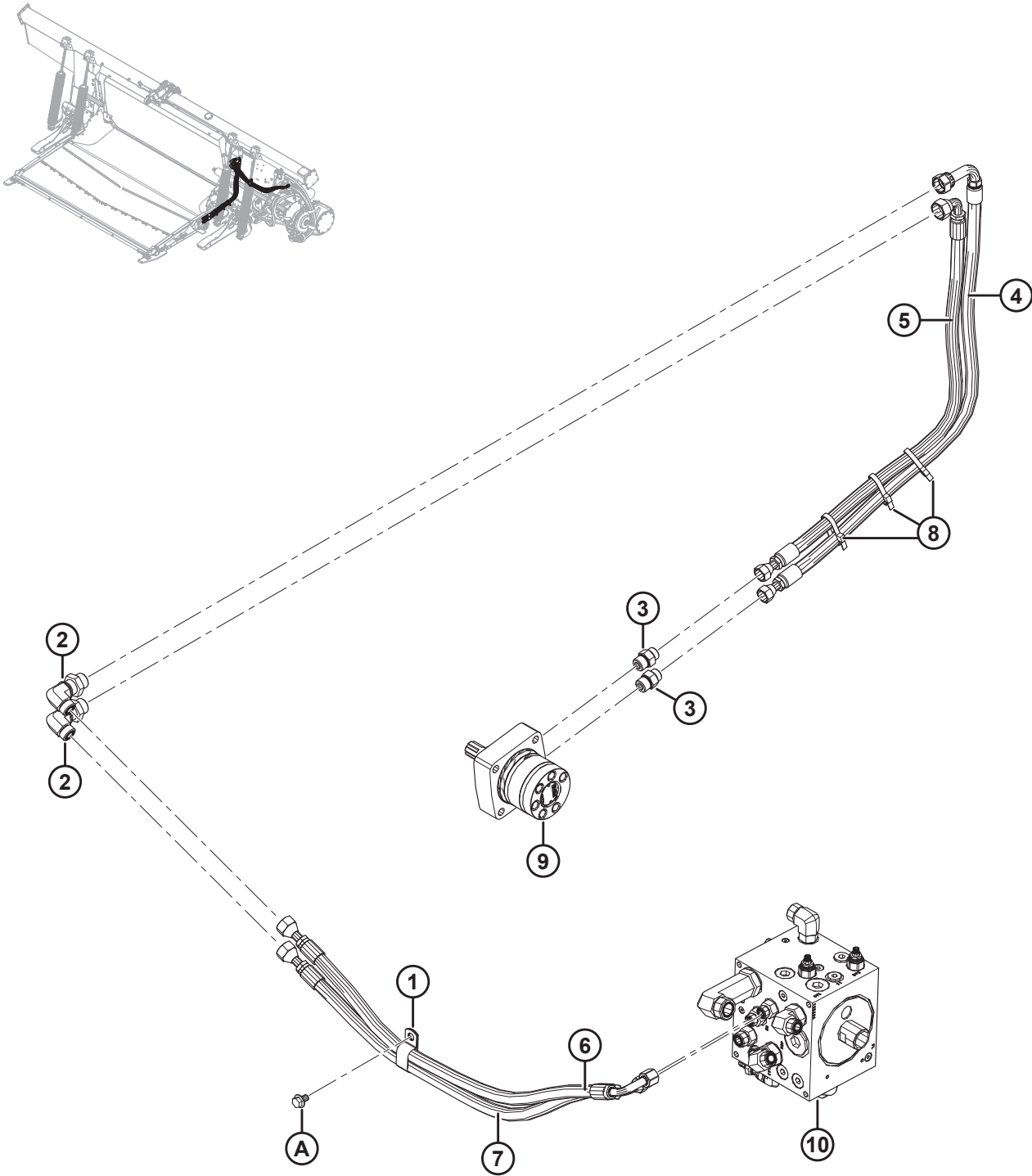


**HYDRAULICS – CENTER-LINK AND HEADER TILT / REEL FORE-AFT**

Ref	Part Number	Description	Qty	Serial Number
1	213363	MANIFOLD – SELECTOR VALVE	1	
	287449	COIL – 12VDC-.625 IN.		
	287450	VALVE – POPPET		
	287451	SEAL KIT – POPPET VALVE		
2	136095	FITTING – ELBOW 90° HYD	5	
	50219	O-RING – #6 ORB		
	135865	O-RING – #6 ORFS		
3	136325	CAP – HYD, SAE, 6 ORFS	4	
4	135778	FITTING – ADAPTER	3	
	50219	O-RING – #6 ORB		
	135865	O-RING – #6 ORFS		
5	213307	HOSE – HYD, TILT FORWARD	1	
6	311491	HOSE – HYD, TILT BACK	1	
	311750	KIT – TILT HOSE SERVICE <sup>416</sup>	A/R	-371189
7	40702	FASTENER – CABLE TIE, RED	3	
8	49227	FASTENER – CABLE TIE, GREEN	3	
9	187621	CYLINDER – TOP LINK	1	
	123978	SEAL KIT		
10	187637	INDICATOR – TILT	1	
11	187660	PIVOT – MACHINING	1	
12	135995	PIN – CLEVIS	1	
13	18609	PIN – COTTER 1/4 DIA X 2 ZP	1	
14	187730	CASTING – PIVOT	2	
15	252692	RESTRICTOR – #6 ORB X .065 IN.	1	
16	21763	FASTENER – CABLE TIE, BLACK	2	
A	152655	BOLT – HEX FLG HD M10 X 1.5 X 20-8.8-A3L		
B	30693	BOLT – FLANGE (SER FACE) .375-16 UNC X 0.50 LG		
C	136699	BOLT – RHSSN M16 X 2 X 40-8.8-AA3L		
D	111528	BOLT – HEX HD TFL M16 X 2 X 40-8.8-A3L		
E	136440	NUT – HEX FLG CTR LOC M16 X 2-10-A3L		

416. Tilt Hose Service kit (MD #311750) is used to service previous production. Kit includes tilt back hose (MD #311491) and installation instructions.

# 109 Hydraulics – Feed Deck



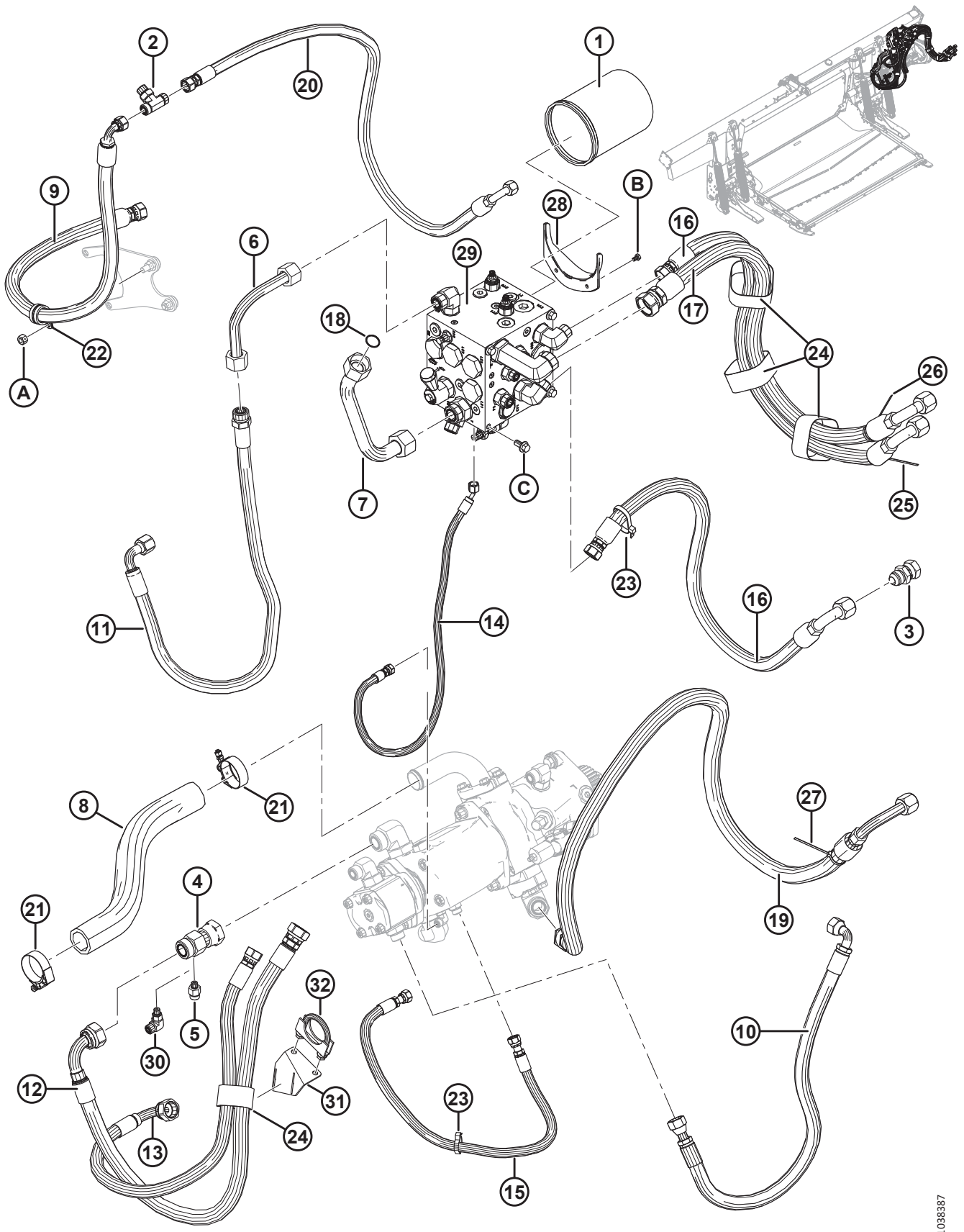
**HYDRAULICS – FEED DECK**

<b>Ref</b>	<b>Part Number</b>	<b>Description</b>	<b>Qty</b>	<b>Serial Number</b>
1	103738	CLAMP – PVC INSULATED 13/16 IN. TUBE SIZE	1	
2	136760	FITTING – ELBOW 90° BULKHEAD HYD 10-10	2	
	135867	O-RING – #10 ORFS		
3	184463	FITTING – ADAPTER 8 MORFS X 10 MORB	2	
	44210	O-RING – #10 ORB		
	135866	O-RING – #8 ORFS		
4	213827	HOSE – HYD, FEED DECK PRESSURE	1	
5	213828	HOSE – HYD, FEED DECK RETURN	1	
6	287912	HOSE – HYD, FEED DECK PRESSURE	1	
7	287913	HOSE – HYD, FEED DECK RETURN A	1	
8	30753	FASTENER – CABLE TIE (BLACK)	3	
9	REF	MOTOR – HYD <sup>417</sup>		
10	REF	MANIFOLD – DRIVE <sup>418</sup>		
A	136151	BOLT – HEX FLG HD TFL M10 X 1.5 X 16-8.8-A3L		

417. Refer to Section *89 Feed Deck – Draper Drive and Rollers*, page 259.

418. Refer to Section *111 Hydraulics – Drive Manifold Assembly*, page 325.

# 110 Hydraulics – Drives and Header Connection



**HYDRAULICS – DRIVES AND HEADER CONNECTION**

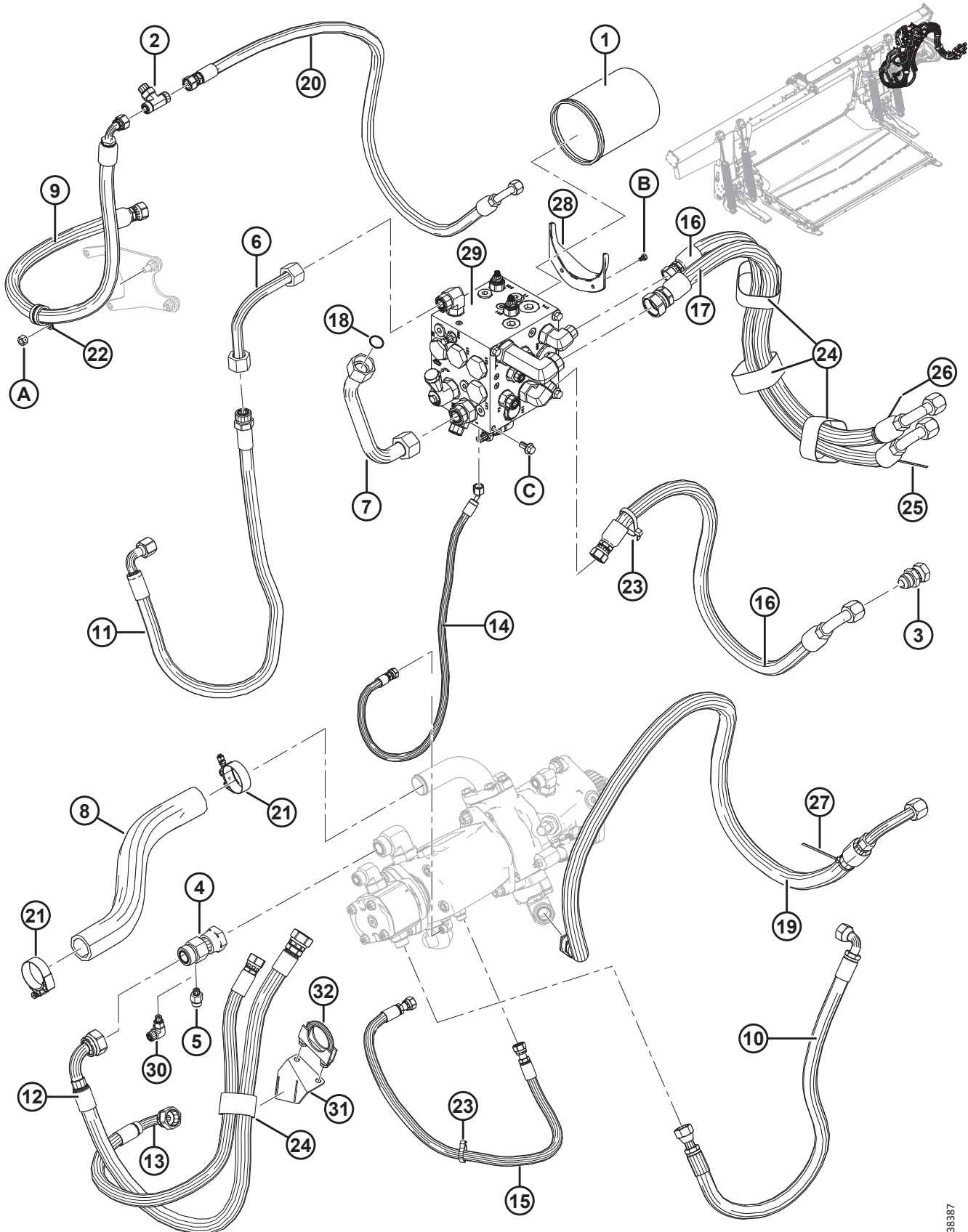
Ref	Part Number	Description	Qty	Serial Number
1	320360	FILTER – HYD C/W 2X SEALS	1	
2	136684	FITTING – BRANCH TEE ORFS 8-8-8	1	
	44209	O-RING – #8 ORB		
	135866	O-RING – #8 ORFS		
3	252414	FITTING – EXTENDER-EXPANDER 12-12	1	
4	252554	FITTING – TEE HYD, GAUGEPORT	1	
	135868	O-RING – #16 ORFS		
5	135777	FITTING – ADAPTER <sup>419</sup>	1	
	50223	O-RING – #4 ORB		
	135865	O-RING – #6 ORFS		
6	213329	LINE – HYD, S2	1	
7	294938	LINE – RETURN	1	
8	287911	HOSE – SUCTION	1	
9	213167	HOSE – CASE DRAIN (CD)	1	
10	213174	HOSE – HYD, GEAR PUMP PRESS (P2)	1	
11	326240	HOSE – HYD, GEAR PUMP SUCTION (S2)	1	
12	326242	HOSE – HYD (S1)	1	
13	326243	HOSE – HYD (P1)	1	
14	213864	HOSE – HYD (LS)	1	
15	276567	HOSE – HYD, CASE FLUSH	1	
16	287907	HOSE – HYD, FLX SD P AND R	2	
17	287908	HOSE – HYD, FLX KR	1	
18	135554	O-RING – #16 ORFS	1	
19	287910	HOSE – HYD, FLX KP	1	
20	287909	HOSE – HYD, FLX CD	1	
21	245753	CLAMP – T-BOLT	2	
22	209032	CLAMP – P-CLIP, INSULATED, 1 IN.	1	
23	30753	FASTENER – CABLE TIE (BLACK)	3	
24	170851	FASTENER – CINCH STRAP 10 IN. LG	1	
	295927	FASTENER – CINCH STRAP 8 IN. LG	1	
	135444	FASTENER – CINCH STRAP 6 IN. LG	A/R	
25	40702	FASTENER – CABLE TIE (RED)	1	
26	40703	FASTENER – CABLE TIE (BLUE)	1	
27	40704	FASTENER – CABLE TIE (ORANGE)	1	
28	213743	FLANGE – OIL DRAIN SPOUT	1	
29	REF	MANIFOLD – DRIVE <sup>420</sup>		
30	136337	FITTING – ELBOW 90° HYD <sup>421</sup>	1	
	50223	O-RING – #4 ORB		
	135865	O-RING – #6 ORFS		

419. Used on Bosch configurations only.

420. Refer to Section [111 Hydraulics – Drive Manifold Assembly, page 325](#).

421. Used on Parker and Eaton configurations only.

HYDRAULICS – DRIVES AND HEADER CONNECTION



1038387



**HYDRAULICS – DRIVES AND HEADER CONNECTION**

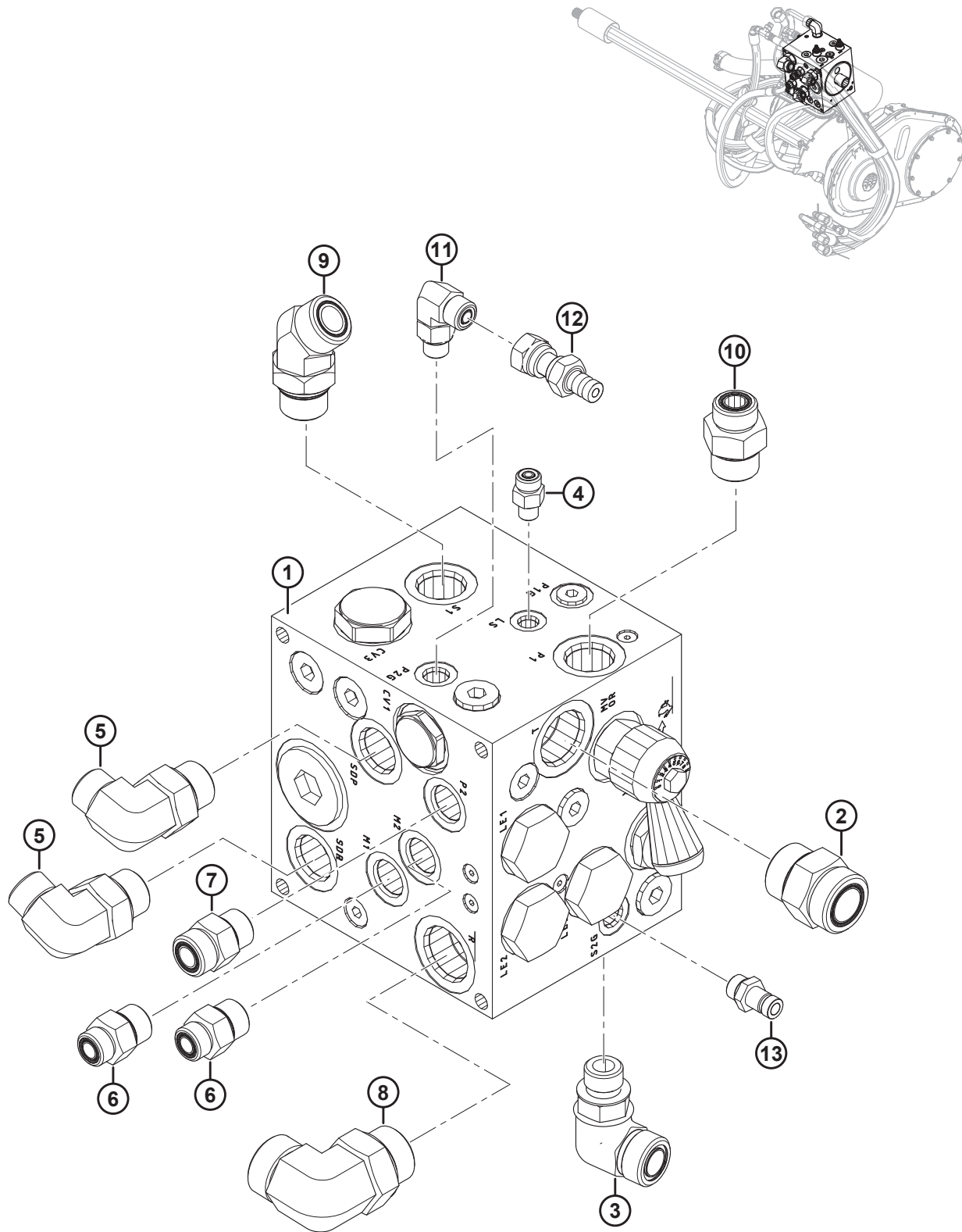
<b>Ref</b>	<b>Part Number</b>	<b>Description</b>	<b>Qty</b>	<b>Serial Number</b>
31	326231	BRACKET – HOSE SUPPORT <sup>422</sup>	1	
32	136110	CLAMP – U-BOLT <sup>423</sup>	1	
A	135800	NUT – HEX CTR LOC SPCL M10 X 1.5-9-A3L		
B	136561	BOLT – HEX HD TFL M6 X 1 X 10-8.8-A3L		
C	152655	BOLT – HEX FLG HD M10 X 1.5 X 20-8.8-A3L		

---

422. Used to secure the hoses to the output shaft on Parker configurations.

423. Used to secure the hoses to the output shaft on Parker configurations. Comes with two flange nuts (MD #21452).

# 111 Hydraulics – Drive Manifold Assembly

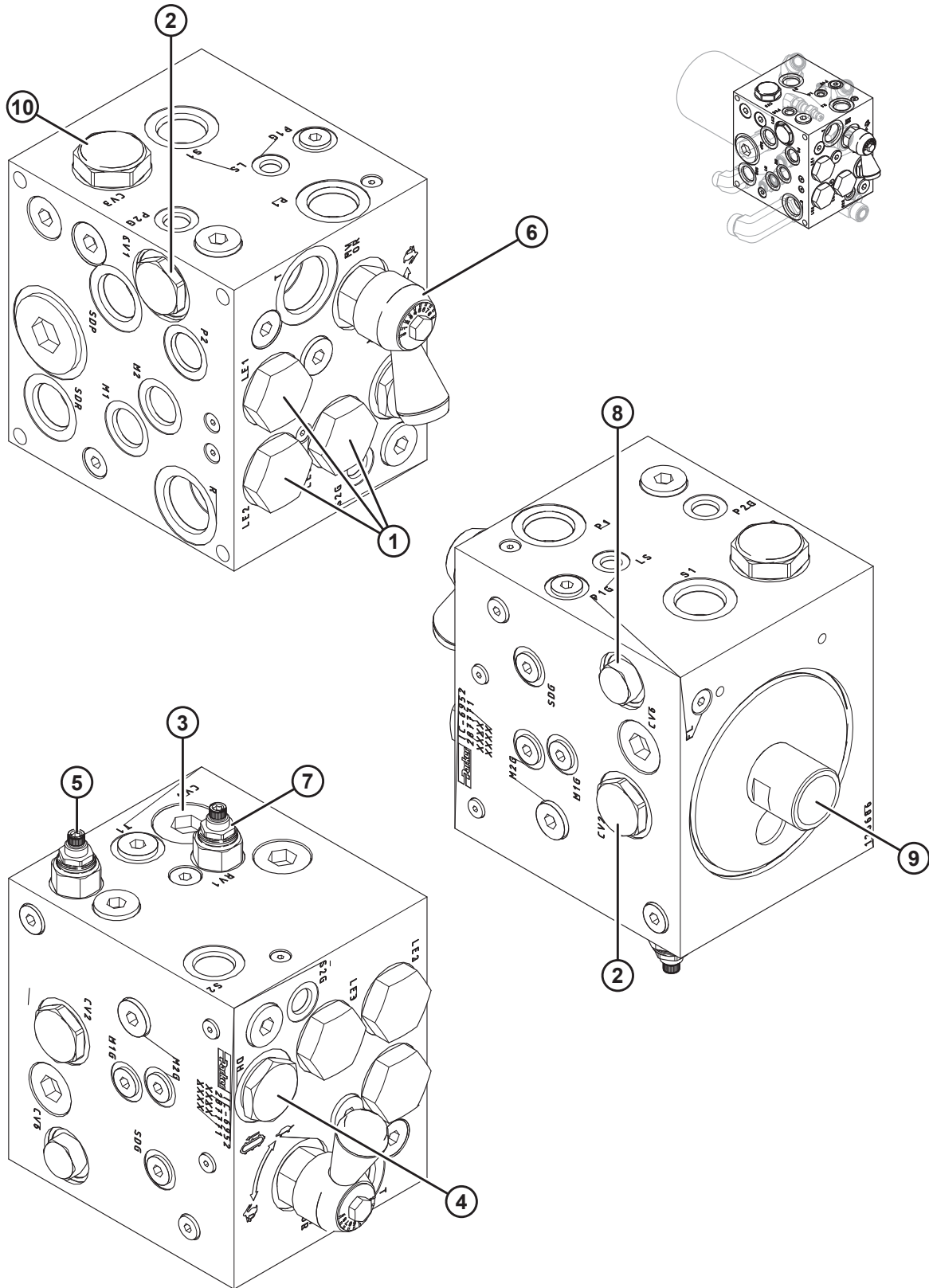


**HYDRAULICS – DRIVE MANIFOLD ASSEMBLY**

Ref	Part Number	Description	Qty	Serial Number
1	287771	ASSEMBLY – MANIFOLD, DRIVE <sup>424</sup>	1	
2	135791	FITTING – ADAPTER (T)	1	
	50220	O-RING – #20 ORB		
	135554	O-RING – #16 ORFS		
3	136303	FITTING – ELBOW 90° HYD (S2)	1	
	44210	O-RING – #10 ORB		
	135868	O-RING – #12 ORFS		
4	135775	FITTING – ADAPTER (LS)	1	
	50223	O-RING – #4 ORB		
	135957	O-RING – #4 ORFS		
5	136347	FITTING – ELBOW 90° HYD (SDP, SDR)	2	
	30971	O-RING – #12 ORB		
	135867	O-RING – #10 ORFS		
6	184463	FITTING – ADAPTER 8 MORFS X 10 MORB (M1, M2)	2	
	44210	O-RING – #10 ORB		
	135866	O-RING – #8 ORFS		
7	184461	FITTING – ADAPTER 10 MORFS X 10 MORB (P2)	1	
	44210	O-RING – #10 ORB		
	135867	O-RING – #10 ORFS		
8	135734	FITTING – ELBOW 90° HYD (R)	1	
	50220	O-RING – #16 ORB		
	135554	O-RING – #16 ORFS		
9	136418	FITTING – ELBOW 45° HYD (S1)	1	
	30971	O-RING – #12 ORB		
	135868	O-RING – #12 ORFS		
10	<b>135786</b>	<b>FITTING – ADAPTER (P1)</b>	<b>1</b>	
	30971	O-RING – #12 ORB		
	135867	O-RING – #10 ORFS		
11	136095	FITTING – ELBOW 90° HYD (P2G)	1	
	50219	O-RING – #6 ORB		
	135865	O-RING – #6 ORFS		
12	252662	FITTING – NIPPLE HYD	1	
13	135587	NIPPLE – HYDRAULIC (S2G)	1	

424. For service parts, refer to Section *112 Drive Manifold Assembly – Service Parts*, page 327.

# 112 Drive Manifold Assembly – Service Parts



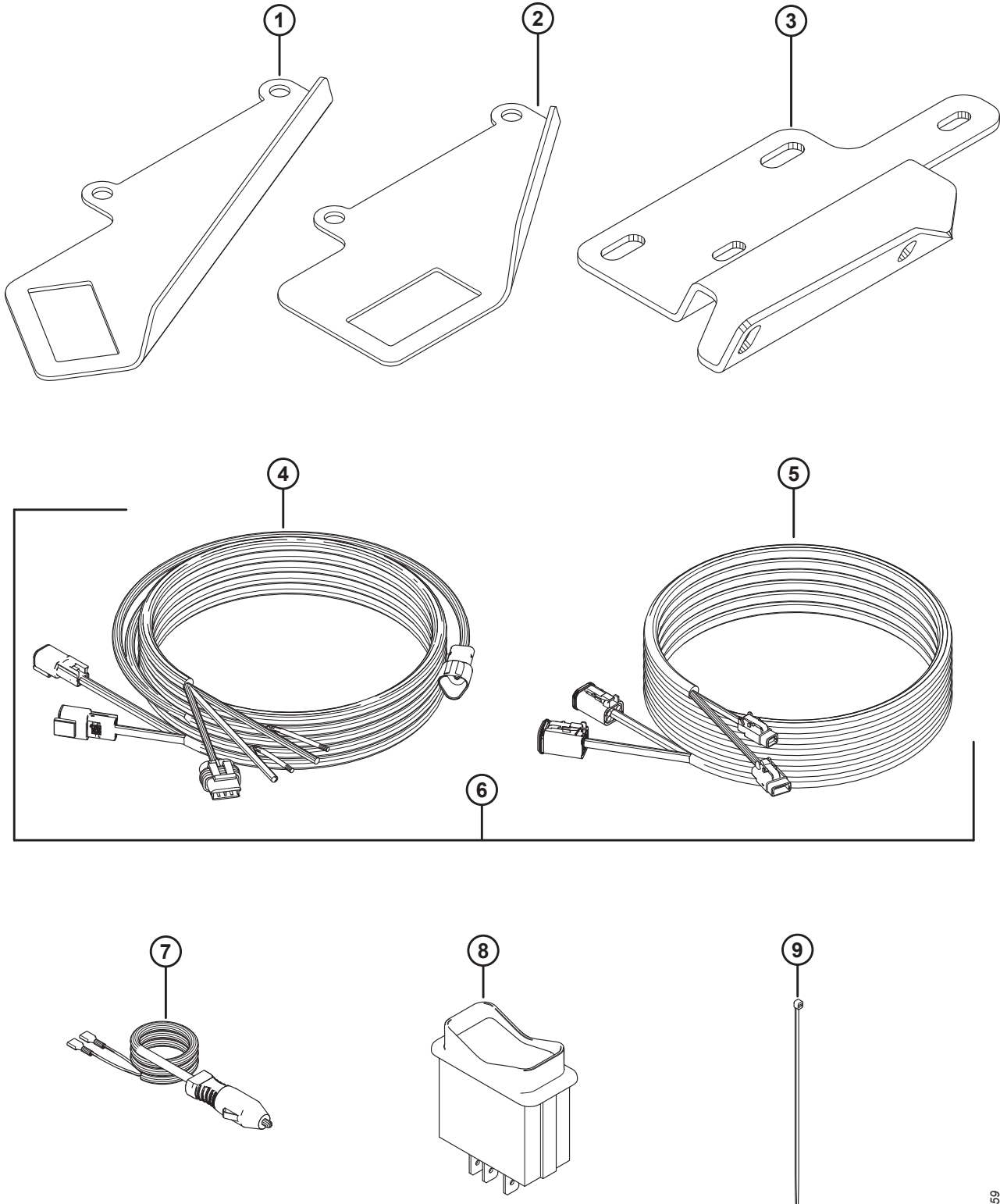
**DRIVE MANIFOLD ASSEMBLY – SERVICE PARTS**

<b>Ref</b>	<b>Part Number</b>	<b>Description</b>	<b>Qty</b>	<b>Serial Number</b>
	287771	ASSEMBLY – MANIFOLD, DRIVE <sup>425</sup>		
1	287466	VALVE – LOGIC ELEMENT-16 (LE1, LE2, LE3)	3	
	220963	SEAL KIT		
2	287467	VALVE – VENTED CHECK-12 (CV1, CV2)	2	
	220965	SEAL KIT		
3	287468	VALVE – BYPASS, 25 PSI (CV4) <sup>426</sup>	1	
4	287469	VALVE – DIVERTER (DH)	1	
	287473	SEAL KIT		
5	220951	VALVE – P.O. RELIEF, 2500 PSI (RV2)	1	
	220960	SEAL KIT		
6	287470	VALVE – NEEDLE (MVOR)	1	
	287193	HANDLE – FLOW CONTROL		
	220960	SEAL KIT		
7	287613	VALVE – RELIEF, 1500 PSI (RV1)	1	
	220960	SEAL KIT		
8	287471	VALVE – CHECK-08 (CV6)	1	
	220965	SEAL KIT		
9	245160	FITTING – FILTER ADAPTER	1	
10	287472	VALVE – CHECK REG-16, 8 PSI (CV3)	1	
	220961	SEAL KIT		

425. Refer to Section *111 Hydraulics – Drive Manifold Assembly, page 325*.

426. Bypass valve (MD #287468) is located underneath plug.

# 113 Selector Valve



**SELECTOR VALVE**

Ref	Part Number	Description	Qty	Serial Number
1	158377	SUPPORT – ROCKER SWITCH, IN CAB MTG BRACKET FOR FORE-AFT/ HEADER TILT <sup>427</sup>	1	
2	220734	SUPPORT – ROCKER SWITCH-IN CAB MTG BRKT FOR FORE-AFT/ HEADER TILT SWITCH <sup>428</sup>	1	
3	304111	SUPPORT – TILT/DRAPER SPEED <sup>428</sup>	1	
4	304210	HARNESS – CAB DRAPER CONTROL <sup>429</sup>	1	
5	304211	HARNESS – CAB DRAPER EXTENSION <sup>429</sup>	1	
6	304216	KIT – CAB DRAPER CONTROL HARNESS <sup>430</sup>	A/R	-346189
7	220570	HARNESS – WIRING, CIGARETTE LIGHTER PLUG <sup>431</sup>	1	
8	109064	SWITCH – ROCKER, HEADER TILT/FORE-AFT <sup>429</sup>	1	
9	16661	FASTENER – NYLON TIE (BLACK)	12	

427. All combine models except CLAAS Lexion 500/700 Series and CNH/NH AFX, CX, and CR with integral switch.

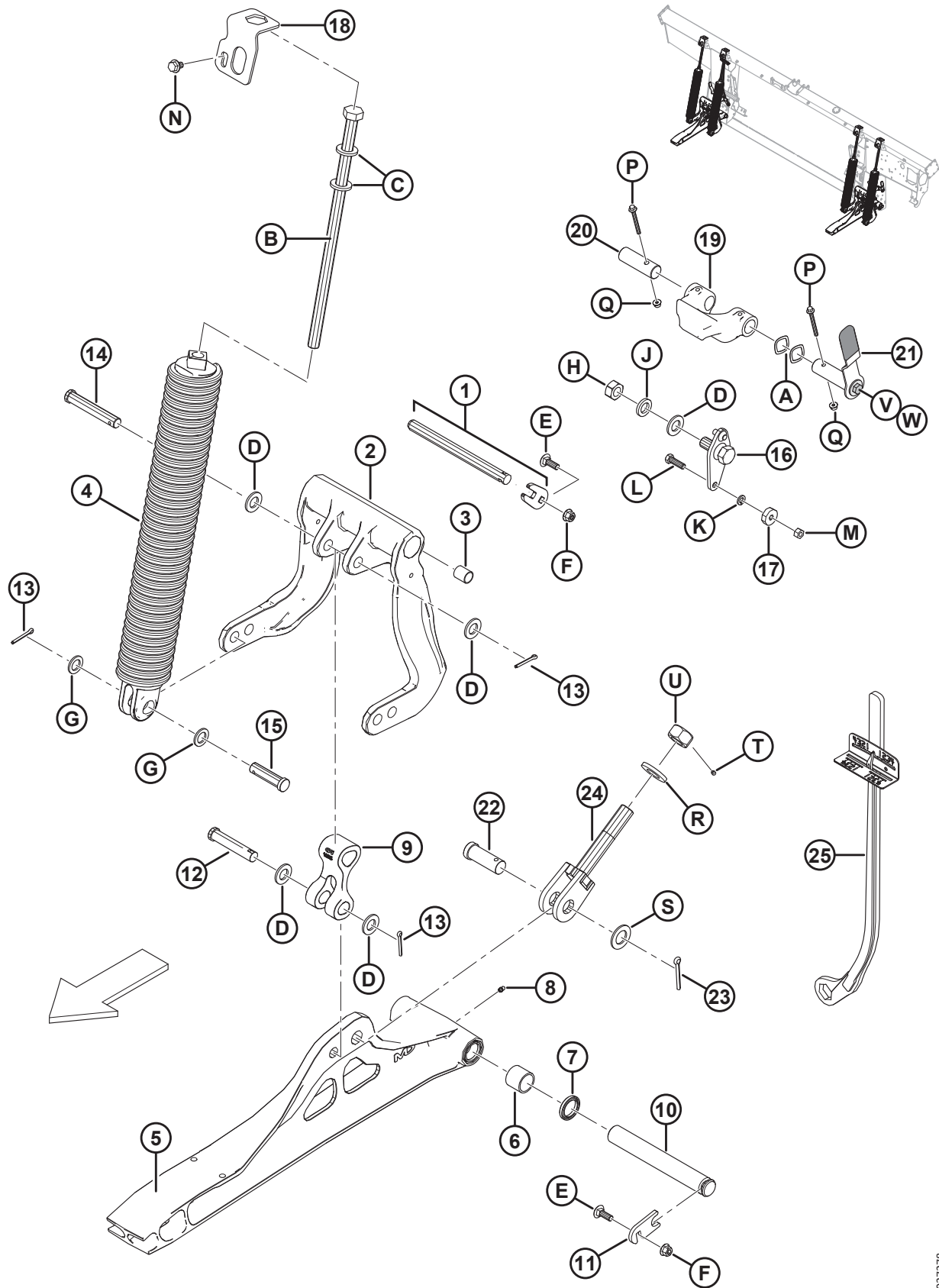
428. John Deere 50 Series, S Series, and T Series only.

429. All combine models except CNH/NH AFX, CX, and CR with integral switch.

430. Kit is used to service model year 2018 and prior units with 2018 cab draper control harness (MD #213667). Includes cab draper control harness (MD #304210) and cab draper extension harness (MD #304211).

431. Optional on all combine models. Allows for install without hardwire.

# 114 Float Linkage and Components





## FLOAT LINKAGE AND COMPONENTS

Ref	Part Number	Description	Qty	Serial Number
1	335743	KIT – PIN PIVOT <sup>432</sup>	2	
2	156839	LEVER – BELLCRANK WITH BUSHINGS <sup>433</sup>	2	
3	156501	BUSHING – PLASTIC	4	
4	304034	SPRING ASSEMBLY <sup>434</sup>		
	304035	SPRING ASSEMBLY W/ INNER SPRING (HEAVY DUTY) <sup>434</sup>		
5	174816	LINK – LOWER, C/W BEARINGS <sup>435</sup>	2	
6	100500	BEARING – NEEDLE	4	
7	113222	SEAL	4	
8	18671	FITTING – LUBE 1/4-28 UNF	2	
9	156574	LINK – ARM	2	
10	248261	PIN	2	
11	212250	PLATE – PIN LOCK	2	
12	20312	PIN – CLEVIS	2	
13	18608	PIN – COTTER 3/16 DIA X 1.5 ZP	8	
14	156741	PIN – CLEVIS	2	
15	30463	PIN – CLEVIS	4	
16	125654	PIVOT – FLOAT WELDMENT	2	
17	18867	BEARING – BALL CYL OD C/W TWO SEALS	2	
18	213821	LOCK – SPRING	4	
19	301513	DOWNSTOP – CASTING, MACHINED	2	
20	240455	PIN – PIVOT	2	
21	322145	HANDLE ASSY – FLOAT LOCK <sup>436</sup>	2	
	287701	GRIP – HANDLE		
22	135995	PIN – CLEVIS	2	
23	18609	PIN – COTTER 1/4 DIA X 2 ZP	2	
24	220679	BOLT – WELDT	2	
25	311859	TOOL – WRENCH WELDMENT	1	
A	252564	WASHER – WAVE		
B	252198	BOLT – HEX HD M20 X 2.5 X 450 X SPCL-8.8-A3L		
C	21540	WASHER – HARDENED		
D	18601	WASHER – SAE FLAT 13/16 I.D. X 1.5 IN. O.D. ZP		
E	184662	BOLT – RHSN TFL M10 X 1.5 X 30-8.8-A3L		
F	135799	NUT – HEX FLG CTR LOC M10 X 1.5-10-A3L		
G	1709	WASHER – FLAT		
H	102636	NUT – HEX DT .750-10 UNC SIDE LOCK		
J	18640	WASHER – REG. LOCK 3/4 IN. NOM. I.D. ZP		

432. Kit includes plate and pivot pin.

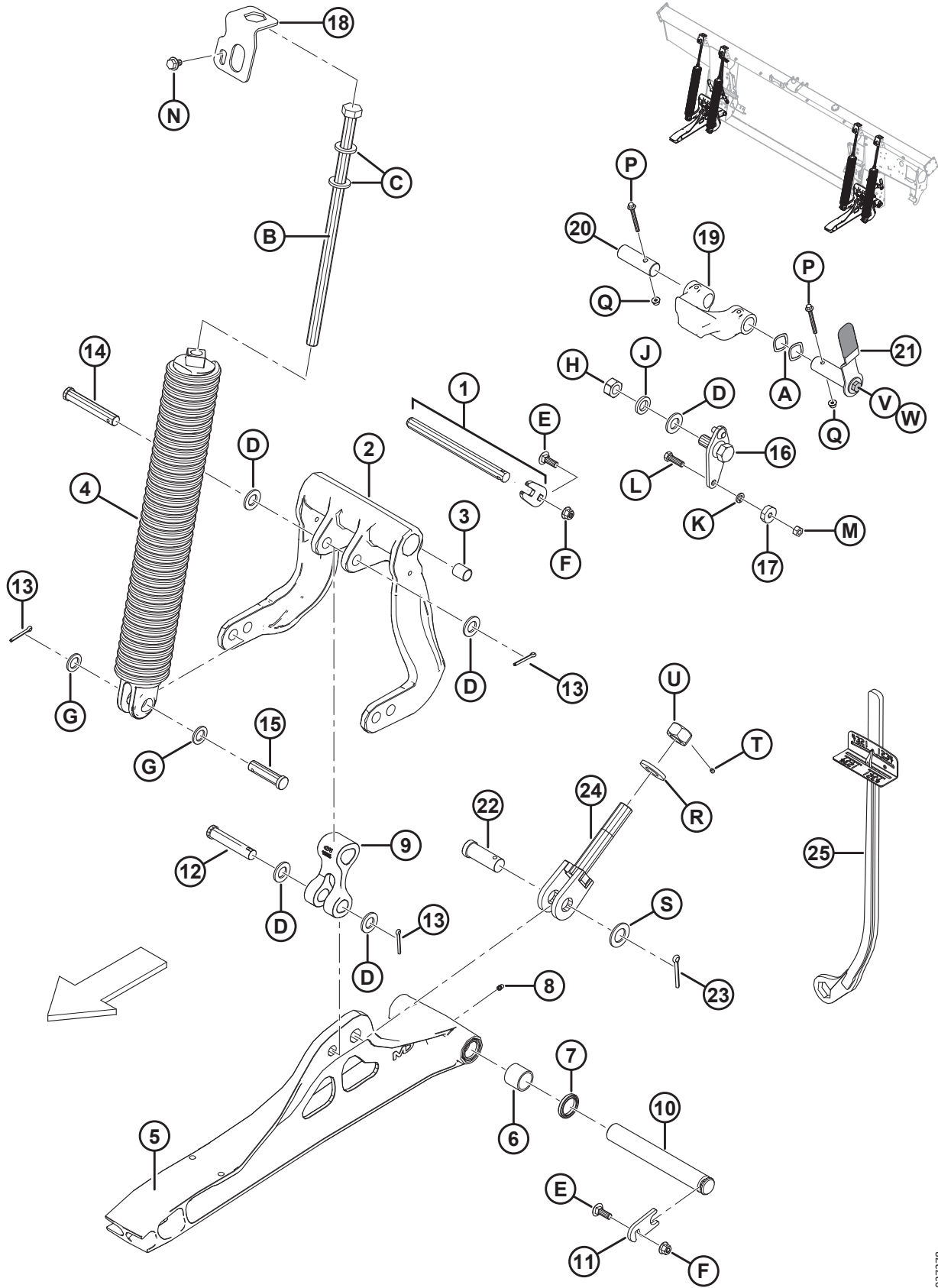
433. Includes two plastic bushings (MD #156501).

434. There are four springs on each float module, but the combination of springs (MD #304034 and MD #304035) varies depending on header size. 40–45 foot headers require 3 x 304034 and 1 x 304035 on the outboard RHS, all smaller headers require 4 x 304034. Springs are mounted in the rear mounting holes of bell crank lever (MD #156839) for FD125 headers.

435. Includes two needle bearings (MD #100500), two seals (MD #113222), and lube fitting (MD #18671).

436. Includes handle grip (MD #287701), bolt (MD #30627), and washer (MD #184712).

# FLOAT LINKAGE AND COMPONENTS

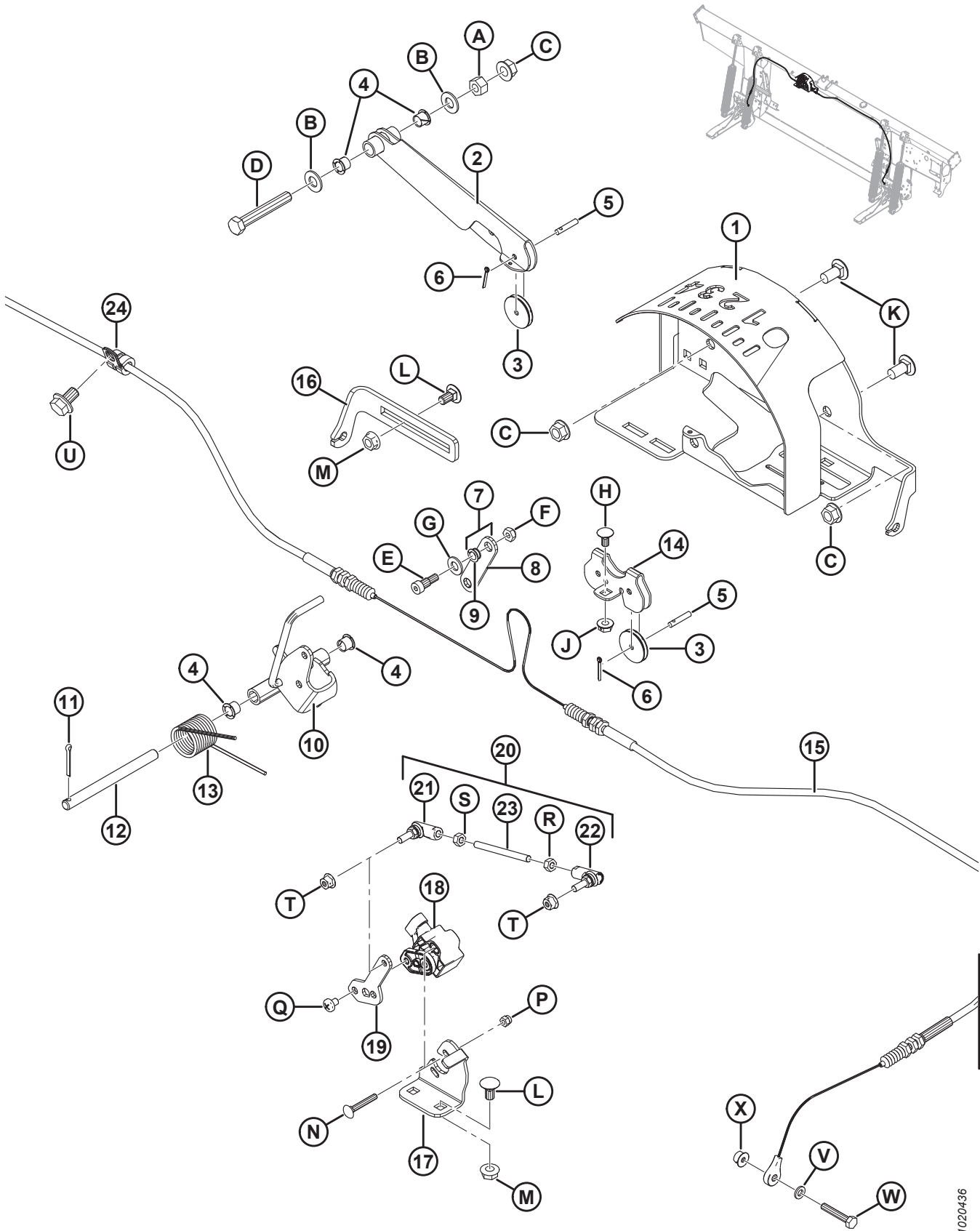


1037278

**FLOAT LINKAGE AND COMPONENTS**

<b>Ref</b>	<b>Part Number</b>	<b>Description</b>	<b>Qty</b>	<b>Serial Number</b>
K	18637	WASHER – REG. LOCK 3/8 IN. NOM. I.D. ZP		
L	21264	BOLT – HH 3/8 NC X 1.25 LG GR 5 ZP		
M	18669	NUT – HEX LK DT 3/8-16 UNC GR 5 AA1J		
N	136151	BOLT – HEX FLG HD TFL M10 X 1.5 X 16-8.8-A3L		
P	136704	BOLT – HEX FLG HD M6 X 1 X 60-8.8-AA2L		
Q	152668	NUT – HEX FLG CTR LOC M6 X 1-8-A2L		
R	31774	WASHER – FLAT		
S	156743	WASHER – FLAT		
T	136596	SCREW – SET, HEX NYL TIP 1/4-20 X 1/4-AS-ZNPL		
U	133047	NUT – DOWNSTOP MACHINING		
V	30627	BOLT – HEX HD TFL M10 X 1.5 X 25-8.8-A3L		
W	184712	WASHER – FLAT LARGE M10-200HV		

# 115 Float Indicator and Auto Header Height Control



**FLOAT INDICATOR AND AUTO HEADER HEIGHT CONTROL**

Ref	Part Number	Description	Qty	Serial Number
1	187641	HOUSING – INDICATOR WELDT	1	
2	187655	ARM – INDICATOR WELDT	1	
3	187653	PULLEY – CONTROL	3	
4	276381	BUSHING – PLASTIC	4	
5	276863	PIN – STRAIGHT	3	
6	18604	PIN – COTTER 3/32 DIA X 3/4 ZP	3	
7	187694	LINK – INDICATOR CW BUSHINGS <sup>437</sup>	1	
8	187659	LINK – INDICATOR	1	
9	156969	BUSHING – PLASTIC	2	
10	304674	INDICATOR – POINTER ASSEMBLY	1	
11	18605	PIN – COTTER 1/8 DIA X 1 ZP	1	
12	276281	PIN – STRAIGHT	1	
13	156843	SPRING – TORSION	1	
14	187708	SUPPORT – INDICATOR PULLEYS	1	
15	187658	CABLE – FLOAT INDICATOR	1	
16	276298	SUPPORT – AHHC CABLE ADJUSTER	1	
17	276043	SUPPORT – SENSOR MOUNT	1	
18	248643	SENSOR – ROTARY, DUAL OUTPUT	1	
19	276044	ARM – SENSOR	1	
20	276057	LINKAGE ASSEMBLY <sup>438</sup>	1	
21	291485	BALL JOINT – LH THREAD	1	
22	291484	BALL JOINT – RH THREAD	1	
23	232650	ROD – THREADED	1	
24	136410	CLAMP – INSULATED 3/8 INCH	1	
A	18590	NUT – HEX 3/8-16 UNC GR 5 ZP		
B	18598	WASHER – SAE FLAT 13/32 I.D. X 13/16 IN. O.D. ZP		
C	30228	NUT – FLANGE DT SMTH FACE 0.375-16 UNC		
D	21102	BOLT – HH 3/8 NC X 2.5 LG GR 5 ZP		
E	135423	BOLT – SHOULDER 5/16 DIA X 3/8 X 1/4-20 UNRC		
F	18724	NUT – HEX LOCK DT 1/4-20 UNC ZP		
G	18597	WASHER – SAE FLAT 11/32 I.D. X 11/16 IN. O.D. ZP		
H	21926	BOLT – RHSN 1/4-20 X .5 GR 5 ZP		
J	135248	NUT – FLG SMTH FACE 1/4-20 NC GR 5 ZP CTR LK DT		
K	21863	BOLT – RHSSN 3/8 NC X 0.75 LG GR 5 ZP		
L	135305	BOLT – RHSN 5/16-18 X .63 GR 5 ZP		
M	30280	NUT – FLG SIDE LK SMTH FACE 5/16 NC GR 5 ZP		
N	197229	BOLT – RHSN M5 X 0.8 X 35-4.6-A2L		
P	197230	NUT – HEX NYLOC M5 X 0.8-8-A2L		
Q	158704	SCREW – PAN HD M6 X 1 X 8-4.8-A2L		
R	184683	NUT – HEX ISO 4032 M6 X 1-8-A2L		
S	136613	NUT – HEX LH ISO 4032 M6 X 1-8-A2L		

437. Includes link (MD #187659) and two bushings (MD #156969).

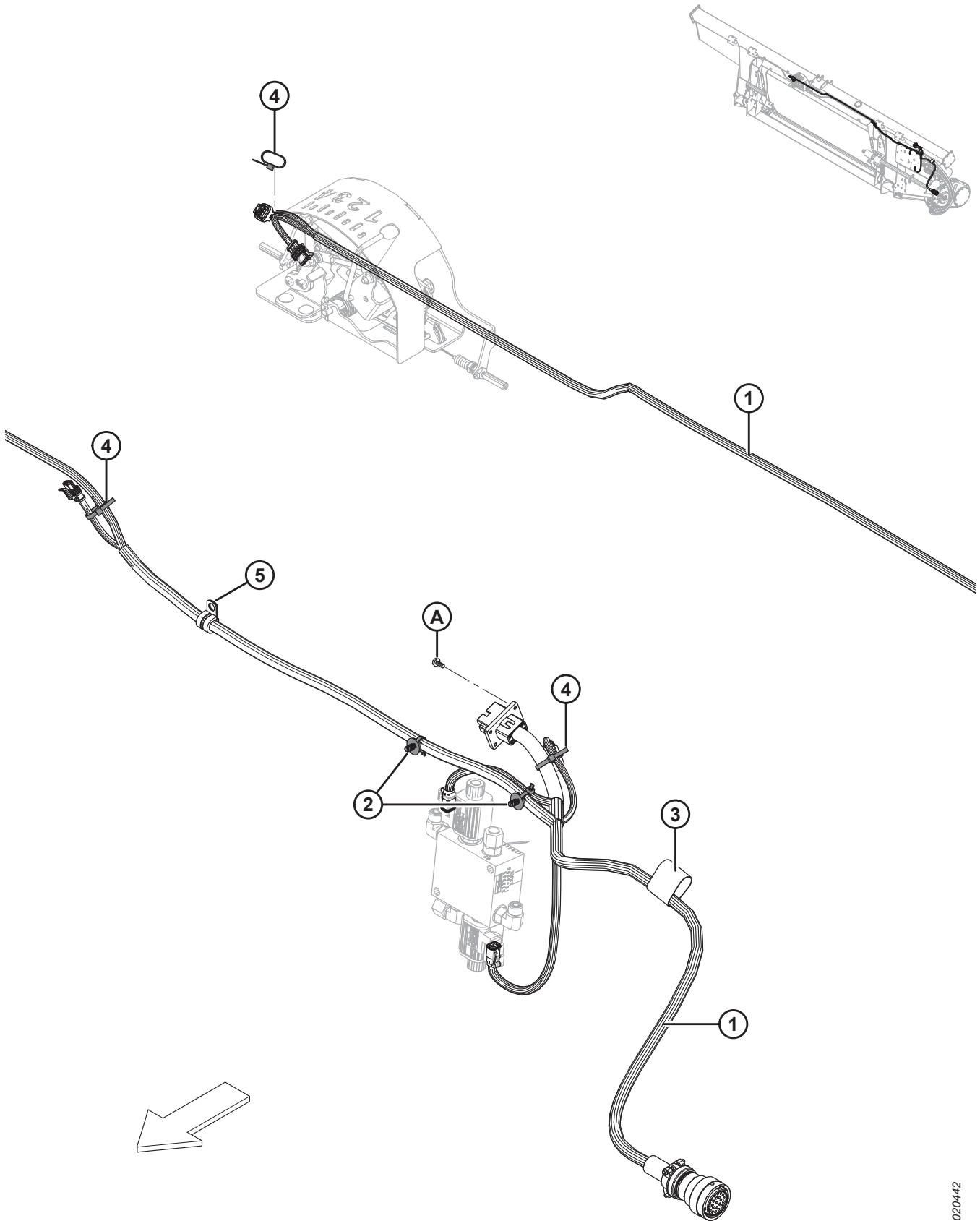
438. Includes ball joints (MD #291484, 291485), threaded rod (MD #232650), and hardware.



**FLOAT INDICATOR AND AUTO HEADER HEIGHT CONTROL**

<b>Ref</b>	<b>Part Number</b>	<b>Description</b>	<b>Qty</b>	<b>Serial Number</b>
T	152668	NUT – HEX FLG CTR LOC M6 X 1-8-A2L		
U	136151	BOLT – HEX FLG HD TFL M10 X 1.5 X 16-8.8-A3L		
V	184705	WASHER – FLAT M6-200HV-A2L		
W	109613	BOLT – HEX HD TFL M6 X 1 X 35-8.8-A2L		
X	152668	NUT – HEX FLG CTR LOC M6 X 1-8-A2L		

# 116 Electrical Components – FM100





**ELECTRICAL COMPONENTS – FM100**

**NOTE:**

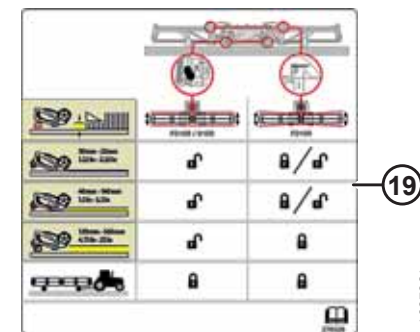
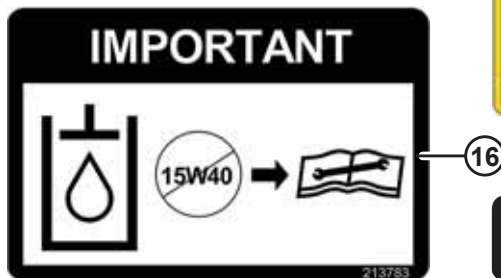
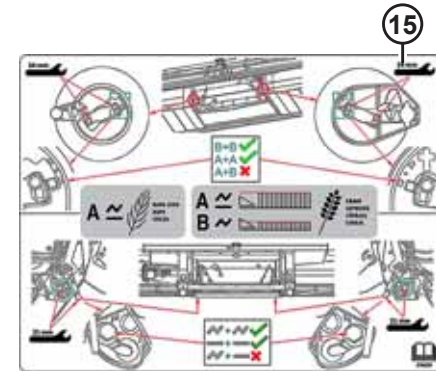
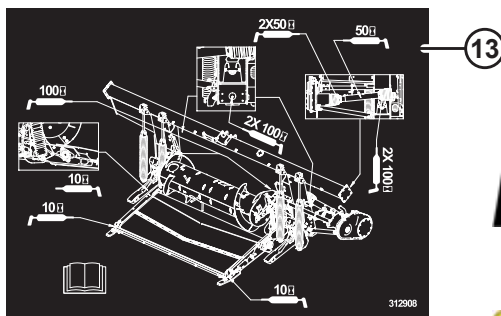
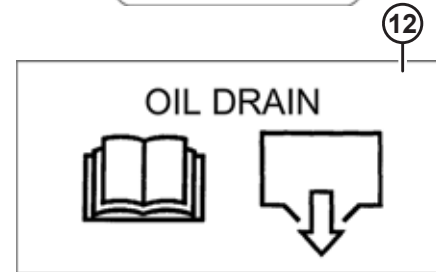
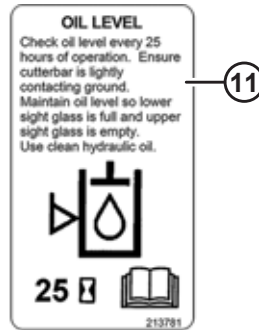
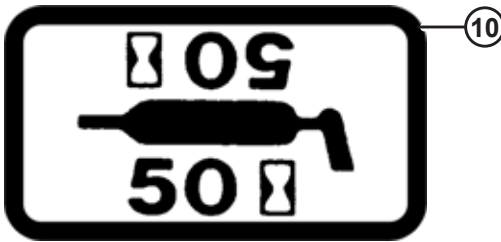
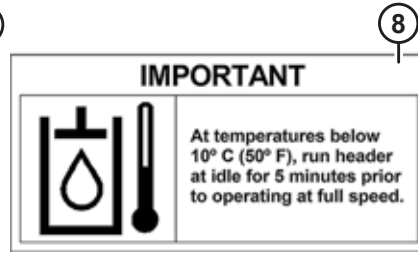
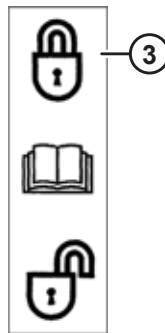
For specific electrical harness parts, refer to Electrical Connector Parts Catalog (MD #169641).

<b>Ref</b>	<b>Part Number</b>	<b>Description</b>	<b>Qty</b>	<b>Serial Number</b>
1	283613	HARNESS – FM100, MAIN	1	
	134746	CONNECTOR – CAP, PLUG, 12-WAY <sup>439</sup>		
2	136655	FASTENER – FIR TREE MT W/ TIE	2	
3	135443	FASTENER – CINCH STRAP 4 IN. LG	1	
4	21763	FASTENER – CABLE TIE (BLACK)	3	
5	135818	CLAMP – INSULATED 1/2 INCH	1	
A	42292	SCREW – SELF TAPPING HEX WASH HD #10 X 1/2 ZP		

---

439. Cap (MD #134746) is used to protect connector C1A for float modules that are not fully assembled.

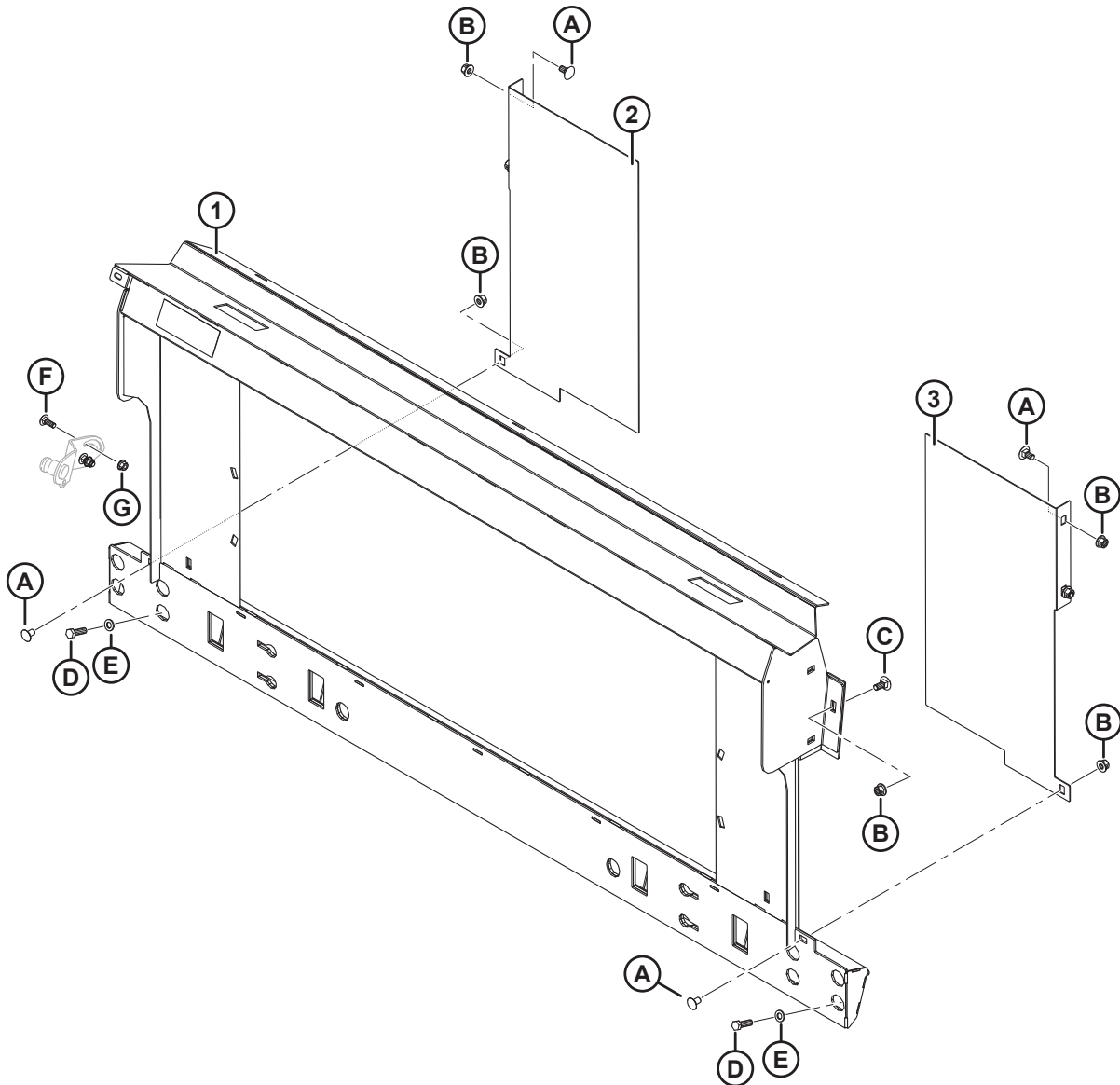
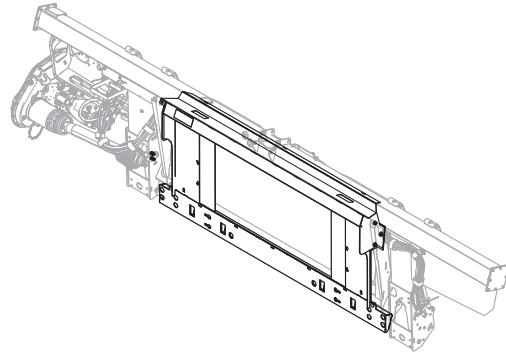
# 117 Decals – FM100



DECALS – FM100

Ref	Part Number	Description	Qty	Serial Number
1	30316	DECAL – DANGER (ROTATING DRIVELINE)		
2	36651	DECAL – DANGER (DRIVELINE GUARD MISSING)		
3	165218	DECAL – WING LOCKOUT		
4	44611	DECAL – DANGER (HEADER HAZARD)		
5	174436	DECAL – HIGH PRESSURE FLUID		
6	302204	DECAL – CA PROPOSITION 65		
7	194521	DECAL – WARNING (DRIVELINE CE)		
8	133086	DECAL – IMPORTANT: OIL OPERATING TEMPERATURE		
9	32070	DECAL – PATENT NUMBER		
10	23165	DECAL – 50 HR LUBE		
	23163	DECAL – 10 HR LUBE		
11	213781	DECAL – ADAPTER OIL LEVEL		
12	133537	DECAL – ADAPTER OIL DRAIN		
13	312908	DECAL – GREASE, FM100		
14	287702	DECAL – FLOAT LOCK, LH		
	287705	DECAL – FLOAT LOCK, RH		
15	276259	DECAL – RTD SETTINGS		
16	213783	DECAL – OIL, IMPORTANT		
17	252996	DECAL – SAFETY FLUID SPRAY		
18	140225	STRIP – ANTI SLIP (LARGE)		
	174131	STRIP – ANTI SLIP (SMALL)		
19	276326	DECAL – HEADER ADJUSTMENT		

# 118 AGCO Challenger® / Massey Ferguson® – Float Module Completion

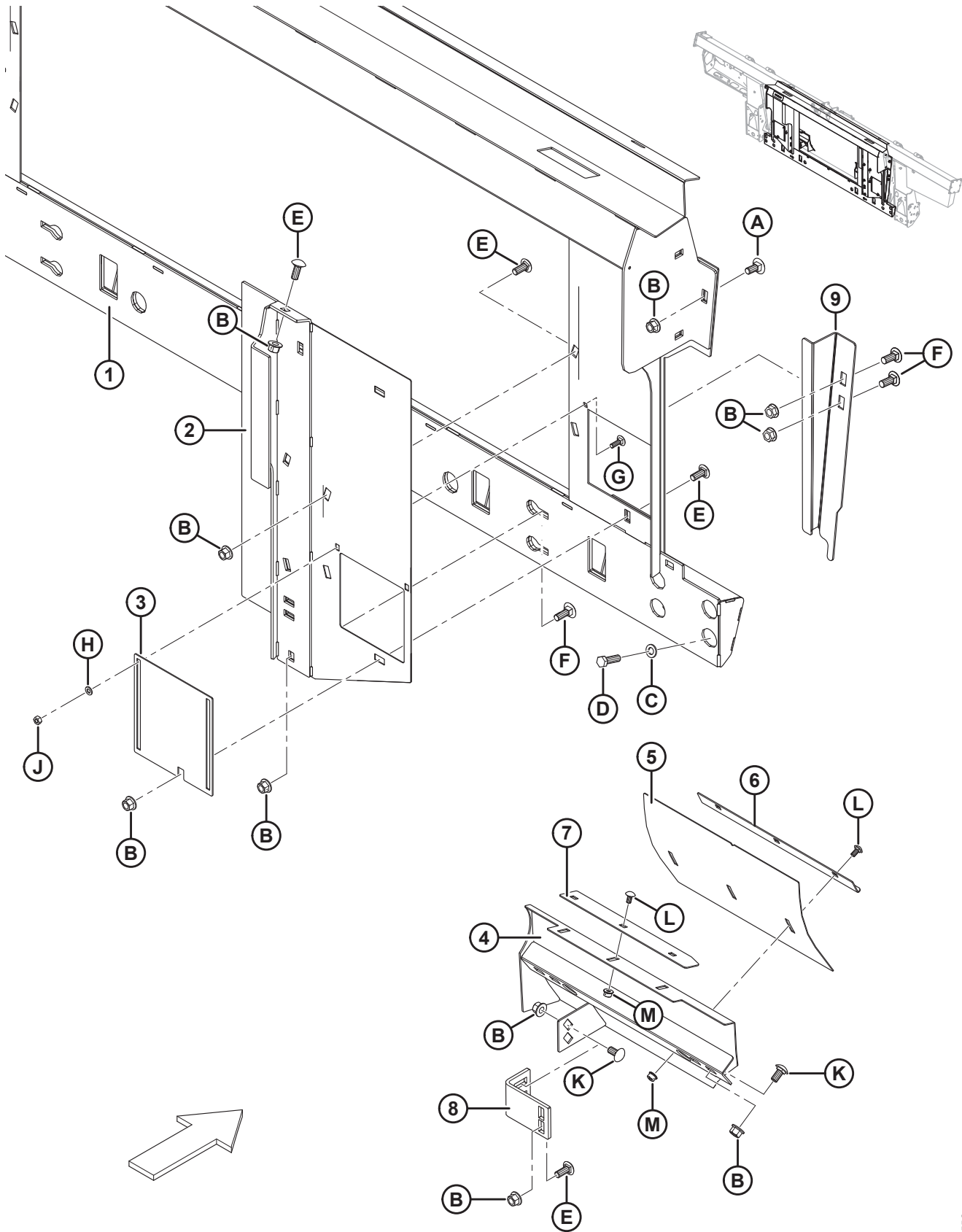


**AGCO CHALLENGER® / MASSEY FERGUSON® – FLOAT MODULE COMPLETION**

<b>Ref</b>	<b>Part Number</b>	<b>Description</b>	<b>Qty</b>	<b>Serial Number</b>
	B6965	COMP PKG – AGCO, MASSEY CHALLENGER 440		
1	133672	FRAME – AGCO TRANSITION LATERAL TILT C/W DECAL	1	
2	133980	FILLER – LH, A65/660/9690	1	
3	133981	FILLER – RH, A65/660/9690	1	
A	136625	BOLT – HEX SER FLG HD M12 X 1.75 X 25 X SPCL-100-AA1J		
B	136431	NUT – HEX FLG CTR LOC M12 X 1.75-10-A3L		
C	184667	BOLT – RHSN M12 X 1.75 X 30-8.8-A3L		
D	152730	BOLT – HEX HD TFL M12 X 1.75 X 35-10.9-AA1J		
E	184714	WASHER – FLAT REG M12-300HV-A3L		
F	184662	BOLT – RHSN TFL M10 X 1.5 X 30-8.8-AA1J		
G	135799	NUT – HEX FLG CTR LOC M10 X 1.5-10		

440. AGCO Challenger® / Massey Ferguson® completion package includes float module, hydraulic, and electrical completion packages required to complete a stand-alone FM100 or to convert to an existing factory-installed FM100. Kits available through Whole Goods only.

# 119 AGCO Gleaner® – Float Module Completion

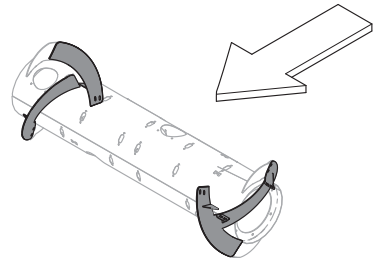
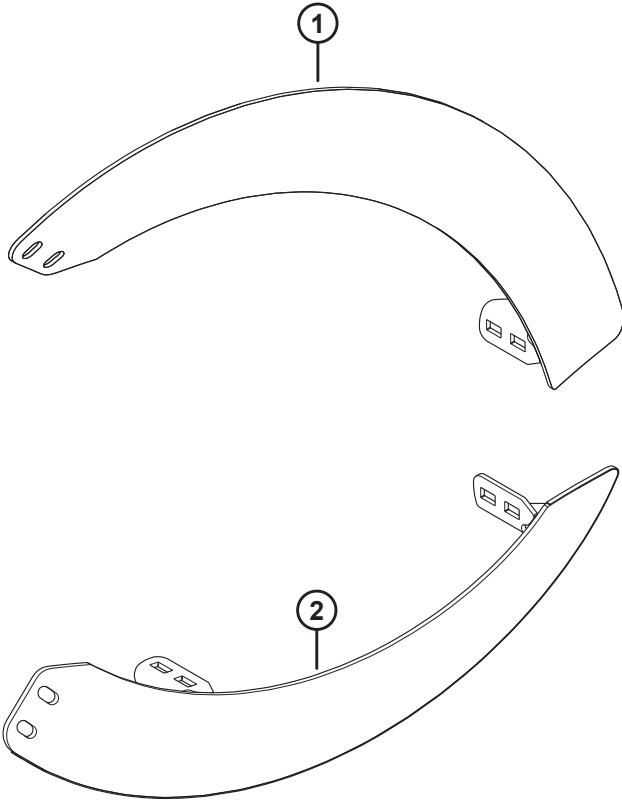


**AGCO GLEANER® – FLOAT MODULE COMPLETION**

Ref	Part Number	Description	Qty	Serial Number
	B6964	COMP PKG – AGCO, GLEANER <sup>441</sup>		
1	245852	FRAME – GLEANER R/S C/W DECAL	1	
2	245816	FILLER – RH WELDMENT	1	
	245815	FILLER – LH WELDMENT	1	
3	245763	DOOR – ACCESS	2	
4	213834	DEFLECTOR – WELDT RH GLEANER	1	
	213833	DEFLECTOR – WELDT LH GLEANER	1	
5	213843	DEFLECTOR – ADJUSTING PANEL	2	
6	213844	ANGLE – STRIPPER	2	
7	213845	STRIPPER	2	
8	276289	FILLER BRACKET	2	
9	337943	FILLER – BRACKET RH	1	
	337941	FILLER – BRACKET LH	1	
A	184667	BOLT – RHSN M12 X 1.75 X 30-8.8-A3L		
B	50186	NUT – FLG LK SM FACE DT 1/2-13 UNC-GR5-AA1J		
C	184714	WASHER – FLAT REG M12-300HV-A3L		
D	152730	BOLT – HEX HD TFL M12 X 1.75 X 35-10.9-AA1J		
E	21868	BOLT – RHSSN 1/2-13 X 1.0 GR5 AA1J		
F	21471	BOLT – RHSN 1/2-13 X 1.25 GR5 AA1J		
G	21282	BOLT – RHSN 5/16-18 X 1-GR5-AA1J		
H	184572	WASHER – USS FLAT 1/4 IN. NOM		
J	18589	NUT – HEX 5/16-18 UNC GR 5 ZP		
K	152439	BOLT – RHSSN M12 X 1.75 X 25-8.8-A3L		
L	191489	BOLT – RHSSN TFL M8 X 1.25 X 16-8.8-A2L		
M	135337	NUT – HEX FLG CTR LOC M8 X 1.25-8-A2L		

441. AGCO Gleaner®. Completion Package includes float module, feed auger, hydraulic, and electrical completion packages required to complete a stand-alone FM100 or to convert to an existing factory-installed FM100. Kits available through Whole Goods only.

# 120 AGCO Gleaner® – Feed Auger Conversion Parts





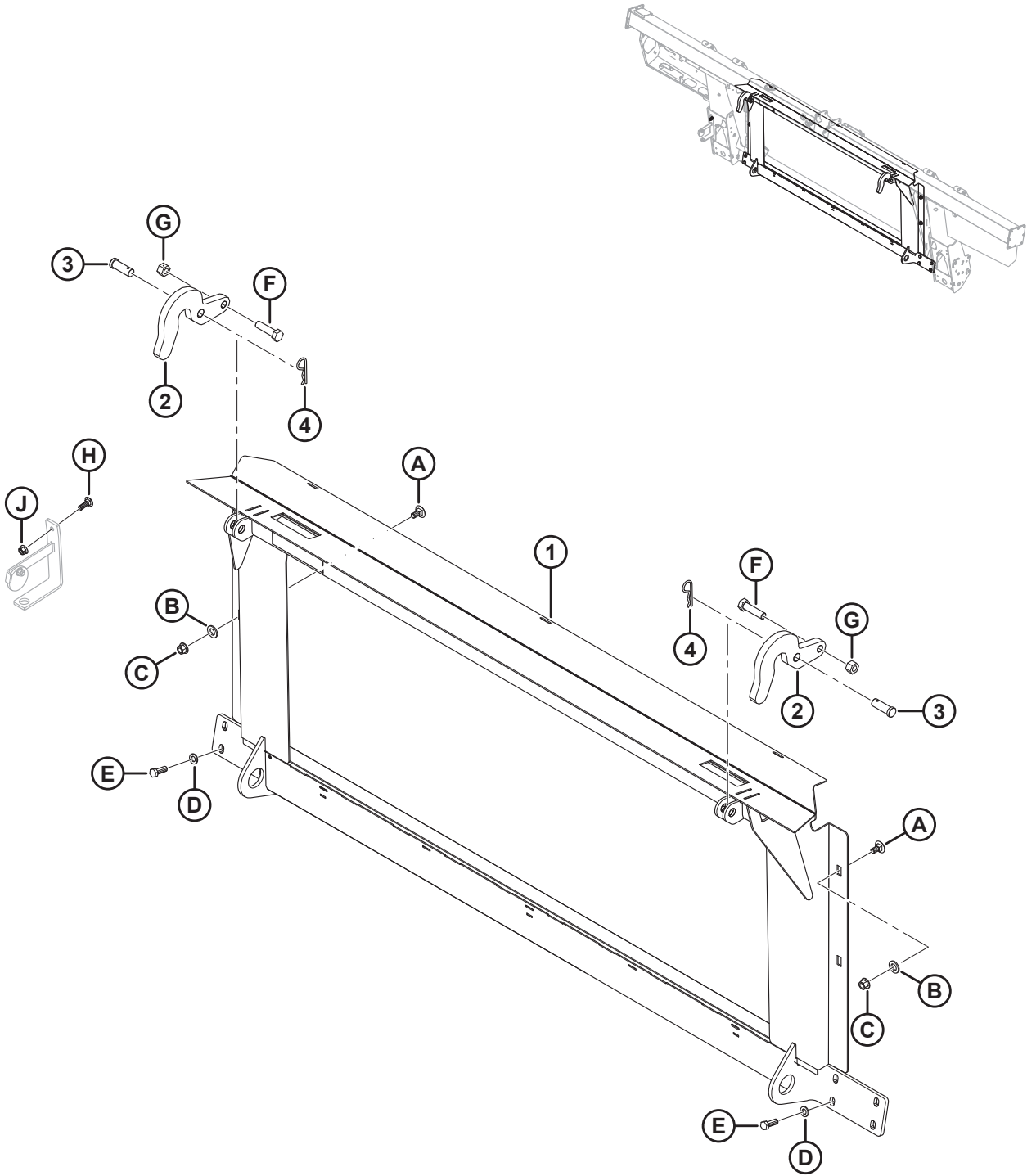
**AGCO GLEANER® – FEED AUGER CONVERSION PARTS**

**NOTE:**

Feed auger parts and hardware listed here are included in AGCO Gleaner®. Completion Package (B6964), refer to Section 119 AGCO Gleaner® – Float Module Completion, page 345.

<b>Ref</b>	<b>Part Number</b>	<b>Description</b>	<b>Qty</b>	<b>Serial Number</b>
1	287890	FLIGHTING, RTD – RH, LONG (HIWEAR)	4	
2	287889	FLIGHTING, RTD – LH, LONG (HIWEAR)	4	
3	213084	PLUG – FLIGHTING SLOT	8	
4	187137	PLUG	12	
A	136178	BOLT – RHSN M10 X 1.5 X 20-8.8-A3L		
B	135799	NUT – HEX FLG CTR LOC M10 X 1.5-10-A3L		
C	252703	BOLT – HEX HD TFL M6 X 1 X 20 X SPCL-12.9-AA2L		
D	197263	NUT – TEE M6 X 1		
E	135723	SCREW – HEX SOC BTN HD M10 X 1.5 X 20-10.9-A3L		
F	152655	BOLT – HEX FLG HD M10 X 1.5 X 20-8.8-A3L		

# 121 AGCO IDEAL™ – Float Module Completion

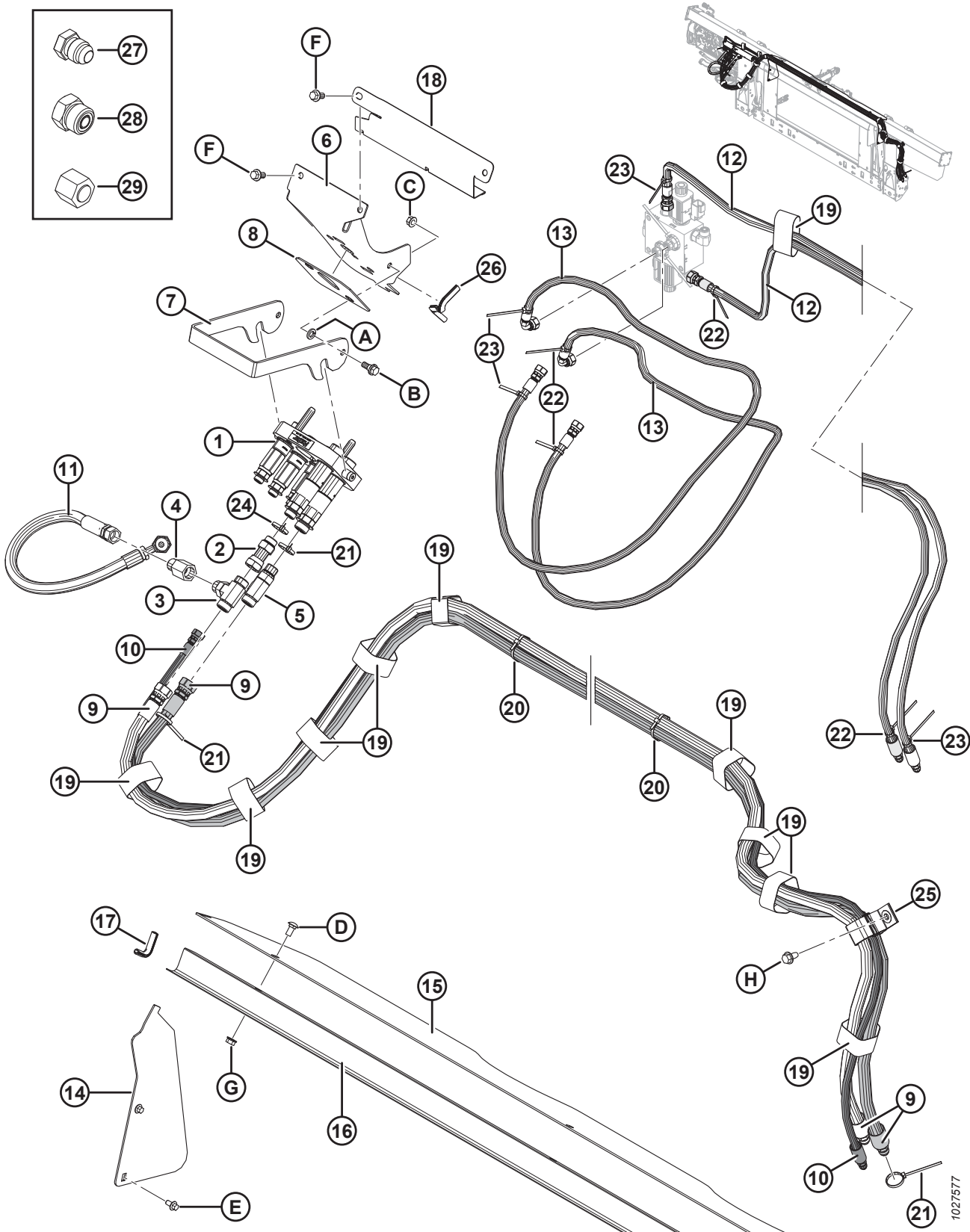


**AGCO IDEAL™ – FLOAT MODULE COMPLETION**

<b>Ref</b>	<b>Part Number</b>	<b>Description</b>	<b>Qty</b>	<b>Serial Number</b>
	B6966	COMP PKG – AGCO, IDEAL 7/8/9 COMBINE <sup>442</sup>		
1	314678	FRAME – IDEAL TRANSITION W/ DECAL	1	
2	301451	SUPPORT – HOOK	2	
3	158080	PIN – CLEVIS	2	
4	13125	PIN – HAIR	2	
A	135903	BOLT – RHSN M12 X 1.75 X 25-8.8-AA1J		
B	184717	WASHER – FLAT REG M16-200HV-AA1J		
C	136431	NUT – HEX FLG CTR LOC M12 X 1.75-10		
D	184714	WASHER – FLAT REG M12-300HV		
E	152730	BOLT – HEX HD TFL M12 X 1.75 X 35-10.9-AA1J		
F	136141	BOLT – HEX HD M16 X 2 X 60-8.8-AA1J		
G	136476	NUT – HEX CTR LOC M16 X 2-8		
H	184662	BOLT – RHSN TFL M10 X 1.5 X 30-8.8-AA1J		
J	135799	NUT – HEX FLG CTR LOC M10 X 1.5-10		

442. AGCO IDEAL™ completion package includes float module, hydraulic, and electrical completion packages required to complete a stand-alone FM100 or to convert an existing factory-installed FM100. Kits available through Whole Goods only.

# 122 AGCO Challenger® / Massey Ferguson® and Gleaner® – Hydraulic Completion



1027577

**AGCO CHALLENGER® / MASSEY FERGUSON® AND GLEANER® – HYDRAULIC COMPLETION**

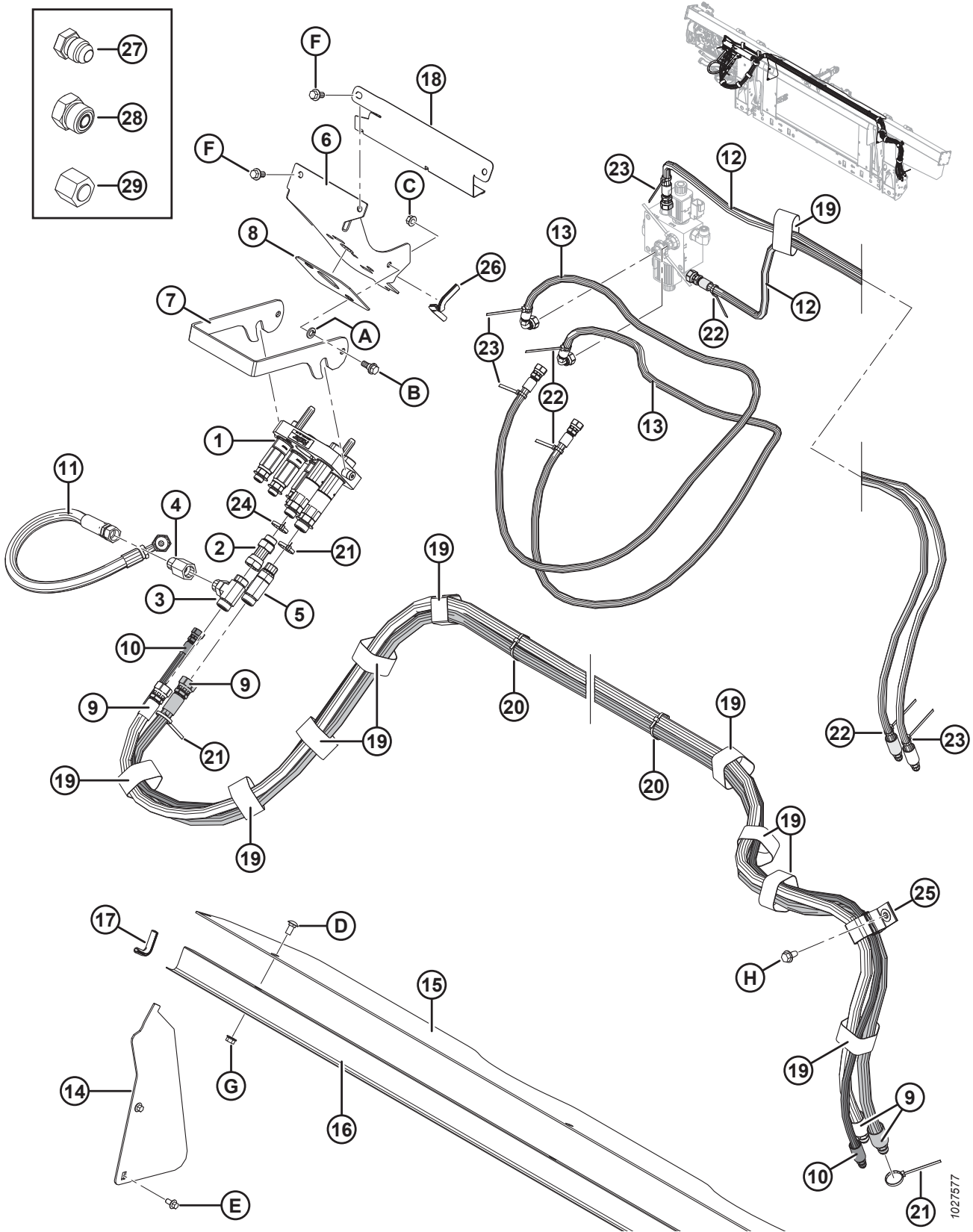
**NOTE:**

Some completion packages may have been shipped with a Parker multicoupler (not sold separately). Service parts for Parker multicouplers include AGCO coupler plate (MD #304405), two 1/2 inch female couplers (MD #184460), three 3/8 inch couplers (MD #191704), 1/2 inch seal kit (MD #129860), 3/8 inch seal kit (MD #129859), three adapter fittings (MD #191705), five retaining rings (MD #184603), two bushings (MD #182181), and two screws (MD #184524). Parker multicoupler service parts are **NOT** interchangeable with Faster multicoupler (MD #279737) service parts. To replace an entire Parker multicoupler, order Faster multicoupler (MD #279737).

Ref	Part Number	Description	Qty	Serial Number
1	279737	COUPLING – MULTI AGCO (FASTER)	1	
	294098	KIT – COUPLER PLATE ASSY, AGCO (FASTER) <sup>443</sup>		
	279011	KIT – COUPLER, 3/8 C/W 3/8 IN. FITTING (FASTER) <sup>443</sup>		
	279012	KIT – COUPLER, 9/16 C/W 5/8 IN. FITTING (FASTER) <sup>443</sup>		
	279013	KIT – COUPLER, 9/16 C/W 1/2 IN. FITTING (FASTER) <sup>443</sup>		
	279034	SEAL – 3/8 COUPLER (FASTER) <sup>443</sup>		
	279035	SEAL – 9/16 COUPLER (FASTER) <sup>443</sup>		
2	252650	FITTING – ADAPTER HYD	1	
	44210	O-RING – #10 ORB		
3	136181	FITTING – BRANCH TEE HYD	1	
	44210	O-RING – #10 ORB		
	135867	O-RING – #10 ORFS		
4	187031	VALVE – CHECK	1	
5	135598	FITTING – TEE HYD STR THD RUN TEE CW O-RING	1	
	44210	O-RING – #10 ORB		
	135867	O-RING – #10 ORFS		
6	213281	BRACKET – AGCO COUPLER	1	
7	248960	LATCH – COUPLER BRACKET	1	
8	187018	PAD – RUBBER	1	
9	287879	HOSE – HYD, REEL DRIVE (AGCO)	2	
10	287863	HOSE – HYD, REEL POS (AGCO)	1	
11	287878	HOSE – HYD, REEL BYPASS	1	
12	287861	HOSE – HYD, REEL FORE-AFT (AGCO)	2	
13	287862	HOSE – HYD, REEL FORE-AFT (AGCO)	2	
14	276284	COVER – FEED AUGER, SIDE	2	
15	276285	COVER – FEED AUGER, TOP	1	
16	156725	COVER – HOSE	1	
17	42589	MOULDING	2	
18	213965	COVER – HOSE	1	
19	135444	FASTENER – CINCH STRAP 6 IN. LG	11	
20	21763	FASTENER – CABLE TIE (BLACK)	4	
21	40701	FASTENER – CABLE TIE (YELLOW)	3	
22	40702	FASTENER – CABLE TIE (RED)	4	
23	49227	FASTENER – CABLE TIE (GREEN)	4	

443. Service part for Faster multicoupler (MD #279737) only. **NOT** interchangeable with Parker multicoupler (not sold separately) service parts.

AGCO CHALLENGER® / MASSEY FERGUSON® AND GLEANER® – HYDRAULIC COMPLETION

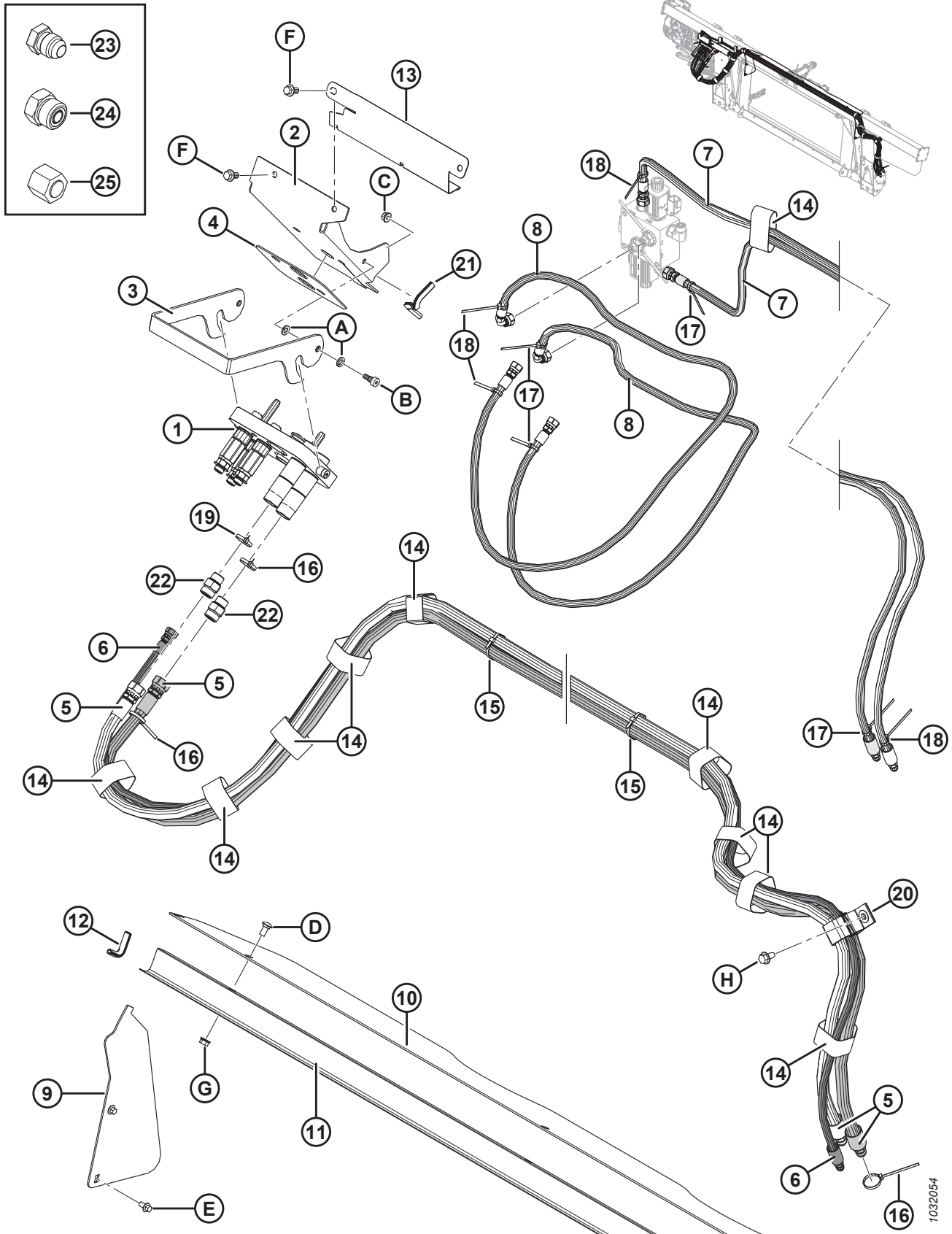


1027577

**AGCO CHALLENGER® / MASSEY FERGUSON® AND GLEANER® – HYDRAULIC COMPLETION**

<b>Ref</b>	<b>Part Number</b>	<b>Description</b>	<b>Qty</b>	<b>Serial Number</b>
24	49232	FASTENER – CABLE TIE (WHITE)	1	
25	163598	STRAP – VELCRO, HANGING	1	
26	42074	MOULDING	1	
27	50178	PLUG – 3/8 IN. TUBE (FOR SHIPPING ONLY)	4	
28	136326	PLUG – HYD SAE-6 ORFS (FOR SHIPPING ONLY)	7	
	136266	PLUG – HYD SAE-10 ORFS (FOR SHIPPING ONLY)	2	
29	136325	CAP – HYD SAE-6 ORFS (FOR SHIPPING ONLY)	3	
	135860	CAP – HYD SAE-10 ORFS (FOR SHIPPING ONLY)	2	
A	18652	WASHER – REG. LOCK 7/16 IN. NOM. I.D. ZP		
B	27647	BOLT – SHOULDER		
C	30228	NUT – FLANGE DT SMTH FACE 0.375-16 UNC		
D	184657	BOLT – RHSSN M10 X 1.5 X 20-8.8-A3L		
E	136485	BOLT – HEX FLG HD TFL M8 X 1.25 X 16-8.8-A3L		
F	152655	BOLT – HEX FLG HD M10 X 1.5 X 20-8.8-A3L		
G	135799	NUT – HEX FLG CTR LOC M10 X 1.5-10-A3L		
H	136209	SCREW – HEX WASHER HD M10 X 1.5 X 20-450HV-A3L		

# 123 AGCO IDEAL™ – Hydraulic Completion



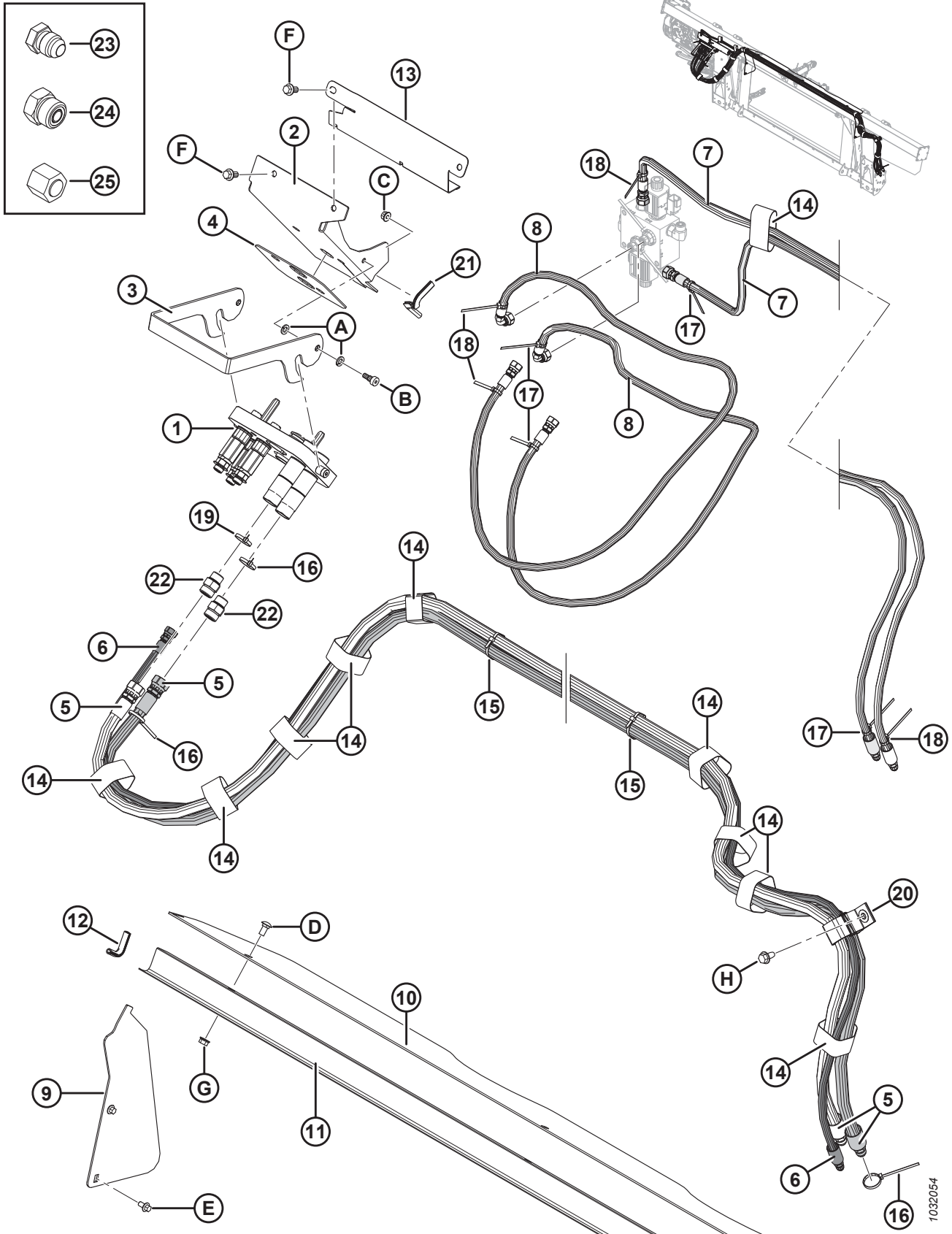
1032054



**AGCO IDEAL™ – HYDRAULIC COMPLETION**

<b>Ref</b>	<b>Part Number</b>	<b>Description</b>	<b>Qty</b>	<b>Serial Number</b>
1	335008	COUPLING – MULTI, AGCO, 5-POS	1	
	294394	KIT – COUPLER PLATE ASSY, AGCO		
	279011	KIT – COUPLER, 3/8 C/W 3/8 IN. FITTING		
	279012	KIT – COUPLER, 9/16 C/W 5/8 IN. FITTING		
	279013	KIT – COUPLER, 9/16 C/W 1/2 IN. FITTING		
	279034	SEAL – 3/8 COUPLER		
	279035	SEAL – 9/16 COUPLER		
2	335059	BRACKET – IDEAL COUPLER	1	
3	337980	LATCH – MULTICOUPLER	1	
4	302030	PAD – RUBBER	1	
5	287879	HOSE – HYD, REEL DRIVE (AGCO)	2	
6	287863	HOSE – HYD, REEL POS (AGCO)	1	
7	287861	HOSE – HYD, REEL FORE-AFT (AGCO)	2	
8	287862	HOSE – HYD, REEL FORE-AFT (AGCO)	2	
9	276284	COVER – FEED AUGER, SIDE	2	
10	276285	COVER – FEED AUGER, TOP	1	
11	156725	COVER – HOSE	1	
12	42589	MOULDING	2	
13	213965	COVER – HOSE	1	
14	135444	FASTENER – CINCH STRAP 6 IN. LG	11	
15	21763	FASTENER – CABLE TIE (BLACK)	4	
16	40701	FASTENER – CABLE TIE (YELLOW)	3	
17	40702	FASTENER – CABLE TIE (RED)	4	
18	49227	FASTENER – CABLE TIE (GREEN)	4	
19	49232	FASTENER – CABLE TIE (WHITE)	1	
20	163598	STRAP – VELCRO, HANGING	1	
21	42074	MOULDING	1	
22	184461	FITTING – ADAPTER HYD	1	
	44210	O-RING – #10 ORB		
	135867	O-RING – #10 ORFS		
23	50178	PLUG – 3/8 IN. TUBE (FOR SHIPPING ONLY)	4	
24	136326	PLUG – HYD SAE-6 ORFS (FOR SHIPPING ONLY)	7	
	136266	PLUG – HYD SAE-10 ORFS (FOR SHIPPING ONLY)	2	
25	136325	CAP – HYD SAE-6 ORFS (FOR SHIPPING ONLY)	3	
	135860	CAP – HYD SAE-10 ORFS (FOR SHIPPING ONLY)	2	
A	30632	WASHER – LOCK SPRING M10		
B	135894	SCREW – HEX SOC HD SHLDR M10		
C	135337	NUT – HEX FLG CTR LOC M8 X 1.25-8-AA1J		
D	184657	BOLT – RHSSN M10 X 1.5 X 20-8.8-A3L		
E	136485	BOLT – HEX FLG HD TFL M8 X 1.25 X 16-8.8-A3L		
F	152655	BOLT – HEX FLG HD M10 X 1.5 X 20-8.8-A3L		

AGCO IDEAL™ – HYDRAULIC COMPLETION

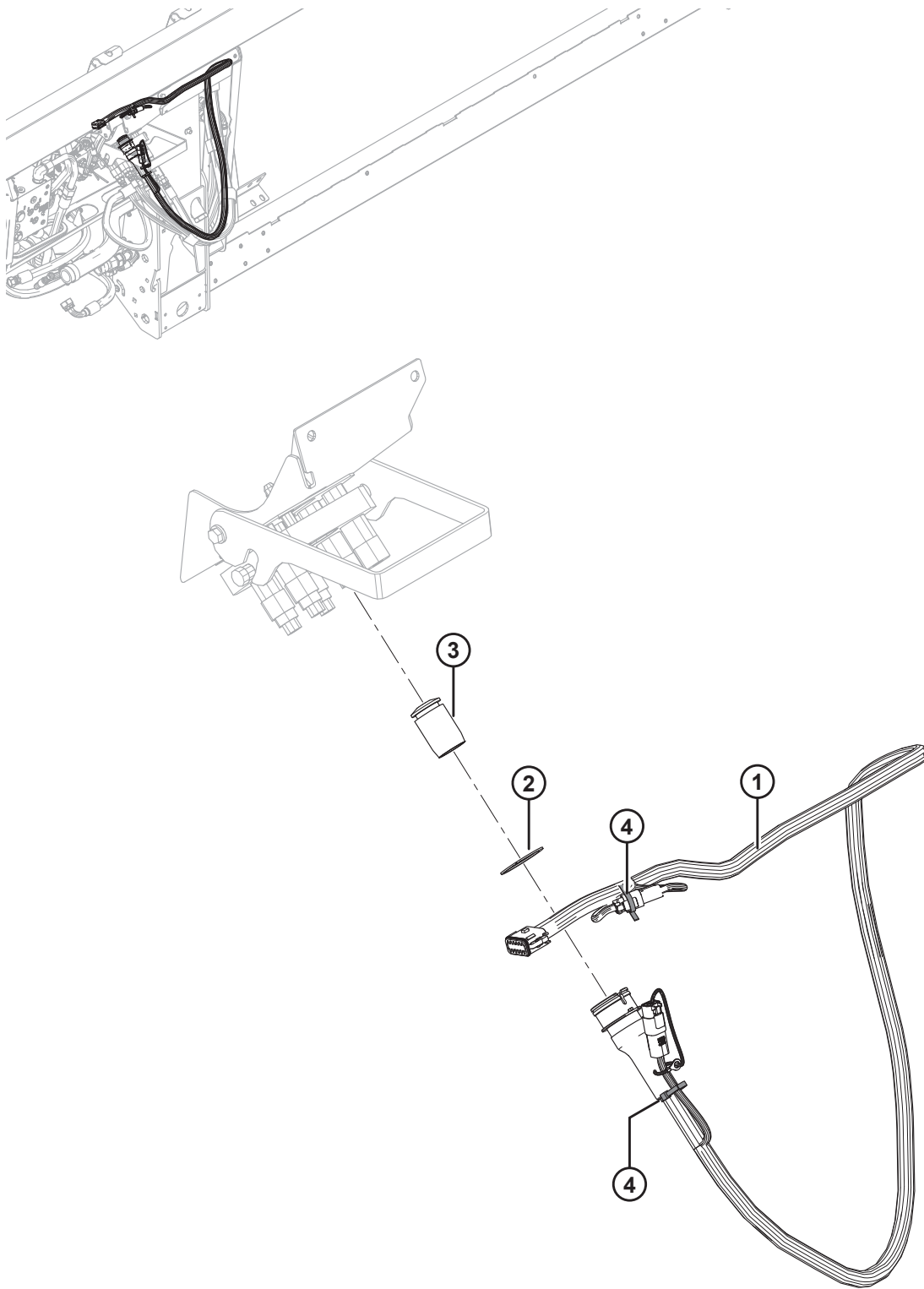


1032054

AGCO IDEAL™ – HYDRAULIC COMPLETION

Ref	Part Number	Description	Qty	Serial Number
G	135799	NUT – HEX FLG CTR LOC M10 X 1.5-10-A3L		
H	136209	SCREW – HEX WASHER HD M10 X 1.5 X 20-450HV-A3L		

# 124 AGCO – Electrical Completion



**AGCO – ELECTRICAL COMPLETION**

**NOTE:**

For specific electrical harness parts, refer to Electrical Connector Parts Catalog (MD #169641).

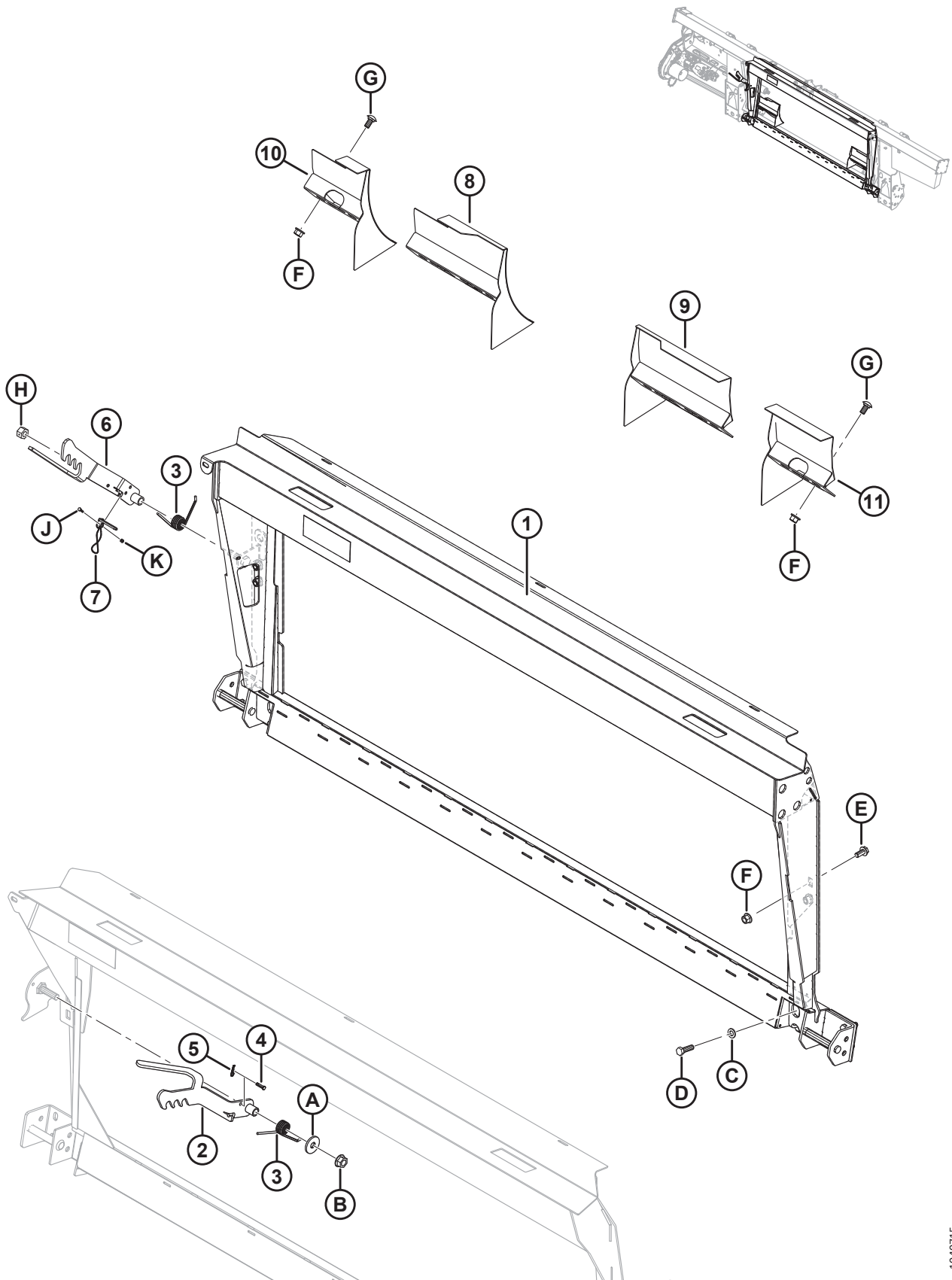
<b>Ref</b>	<b>Part Number</b>	<b>Description</b>	<b>Qty</b>	<b>Serial Number</b>
1	304576	HARNESS – FM100, COMPLETION, AGCO <sup>444</sup>	1	
	311707	HARNESS – FM100, COMPLETION, IDEAL <sup>445</sup>	1	
	134746	CONNECTOR – CAP, PLUG, 12-WAY	1	
2	135267	RING – INVERTED EXT RETAINING	1	
3	129148	PLUG – RUBBER	1	
4	21763	FASTENER – CABLE TIE (BLACK)	2	

---

444. Challenger® / Massey Ferguson® and Gleaner® only.

445. IDEAL™ Series only.

# 125 Case IH and New Holland CR/CX – Float Module Completion



**CASE IH AND NEW HOLLAND CR/CX – FLOAT MODULE COMPLETION**

<b>Ref</b>	<b>Part Number</b>	<b>Description</b>	<b>Qty</b>	<b>Serial Number</b>
	B6959	COMP PKG – CASE IH, NEW HOLLAND CR/CX <sup>446</sup>		
1	<b>347300</b>	<b>ASSY – CNH TRANSITION W/ DECAL</b> <sup>447</sup>	<b>1</b>	
	<b>335906</b>	<b>KIT – CNH WINDOW W/ LATCH</b> <sup>448</sup>	<b>A/R</b>	
2	187006	WELDT – LATCH <sup>449</sup>	<b>A/R</b>	
3	156948	SPRING – TORSION	1	
4	135655	PIN – CLEVIS <sup>449</sup>	<b>A/R</b>	
5	252993	PIN – HAIR (1.6 MM, 33.3 MM) <sup>449</sup>	<b>A/R</b>	
6	<b>347141</b>	<b>LATCH – WELDT</b>	<b>1</b>	
7	<b>237363</b>	<b>PIN – DETENT W/ 8 IN. LANYARD</b>	<b>1</b>	
8	213592	DEFLECTOR WELDT – NH CR NARROW ONLY (LH)	1	
9	213593	DEFLECTOR WELDT – NH CR NARROW ONLY (RH)	1	
10	213614	DEFLECTOR WELDT – NH CR WIDE ONLY (LH, SHORT)	1	
1	213613	DEFLECTOR WELDT – NH CR WIDE ONLY (RH, SHORT)	1	
A	23745	WASHER – FLAT <sup>449</sup>		
B	50225	NUT – FLANGE DT SMTH FACE .625-11 UNC <sup>449</sup>		
C	184714	WASHER – FLAT REG M12-300HV-A3L		
D	184669	BOLT – HEX HD M12 X 1.75 X 40-8.8-A3L		
E	136625	BOLT – HEX SER FLG HD M12 X 1.75 X 25 X SPCL-100-AA1J		
F	136431	NUT – HEX FLG CTR LOC M12 X 1.75-10-A3L		
G	152439	BOLT – RHSSN M12 X 1.75 X 25-8.8-A3L		
H	<b>136476</b>	<b>NUT – HEX CTR LOC M16 X 2-8</b>		
J	<b>197319</b>	<b>BOLT – HEX HD TFL M4 X 0.7 X 16-8.8-AA1J</b>		
K	<b>197320</b>	<b>NUT – HEX NYLOC M4 X 0.7-8-AA1J</b>		

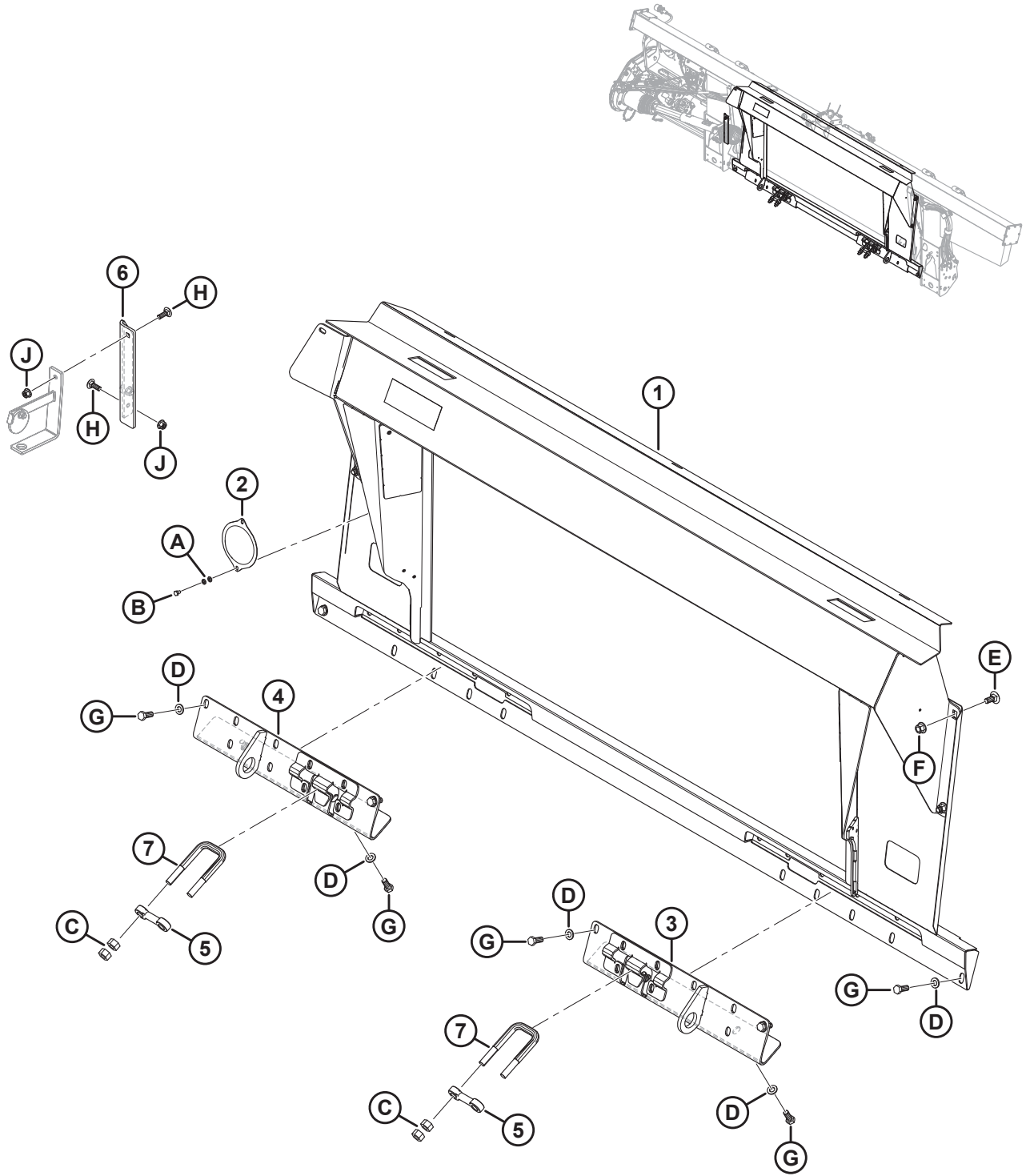
446. Case IH, New Holland CR/CX Completion Package includes float module, hydraulic, and electrical completion packages required to complete a stand-alone FM100 or to convert to an existing factory-installed FM100. Kits available through Whole Goods only.

447. For model year 2023 and later units, order transition frame assembly (MD #347300). For model year 2022 and prior units with superseded transition frame (MD #279493), order service kit (MD #335906).

448. CNH transition frame service kit (MD #335906) is used to service units with superseded transition frame (MD #279493). Kit includes transition frame assembly (MD #347300), latch (MD #347141), pin (MD #237363), torsion spring (MD #156948), hardware, and installation instructions.

449. Service part only for units with superseded transition frame (MD #279493).

# 126 Case IH 2300/2500 Series – Float Module Completion





**CASE IH 2300/2500 SERIES – FLOAT MODULE COMPLETION**

<b>Ref</b>	<b>Part Number</b>	<b>Description</b>	<b>Qty</b>	<b>Serial Number</b>
	B6849	COMP PKG – CASE IH, 2300/2500 SERIES <sup>450</sup>		
1	<b>347731</b>	<b>FRAME – CIH W/ DECAL</b>	<b>1</b>	
2	328372	COVER – RTD GEARBOX <sup>451</sup>	<b>A/R</b>	
3	<b>347965</b>	<b>ANCHOR – WELDT RH</b>	<b>1</b>	
4	<b>347964</b>	<b>ANCHOR – WELDT LH</b>	<b>1</b>	
5	133241	LATCH – 2300 SERIES COMBINE	2	
6	328381	BRACKET – DRIVELINE HANGER	1	
7	133242	U-BOLT	2	
A	184705	WASHER – FLAT M6-200HV-AA1J <sup>451</sup>		
B	136561	BOLT – HEX HD TFL M6 X 1 X 10-8.8-AA1J <sup>451</sup>		
C	18592	NUT – HEX 5/8-11 UNC GR 5 ZP		
D	184714	WASHER – FLAT REG M12-300HV		
E	184667	BOLT – RHSN M12 X 1.75 X 30-8.8-AA1J		
F	136431	NUT – HEX FLG CTR LOC M12 X 1.75-10		
G	30630	BOLT – HEX HD TFL M12 X 1.75 X 30-8.8-A3L		
H	184662	BOLT – RHSN TFL M10 X 1.5 X 30-8.8-AA1J		
J	135799	NUT – HEX FLG CTR LOC M10 X 1.5-10		

450. Case IH 2300/2500 Series Completion Package includes float module, hydraulic, and electrical completion packages required to complete a stand-alone FM100 or to convert to an existing factory-installed FM100. Kits available through Whole Goods only.

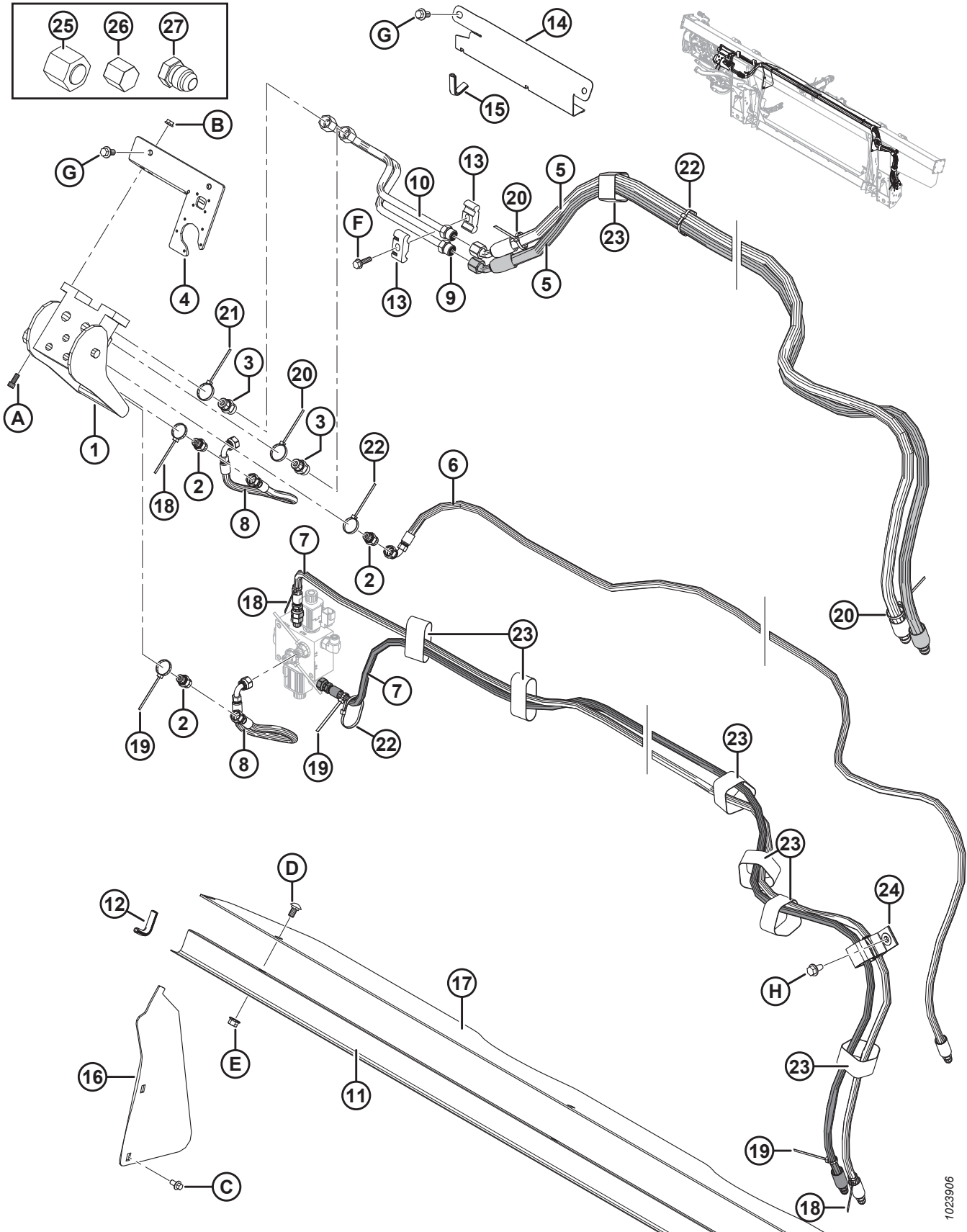
451. Service part only for units with superseded CIH transition frame (MD #335270).



**CASE IH AND NEW HOLLAND CR/CX – HYDRAULIC COMPLETION**

<b>Ref</b>	<b>Part Number</b>	<b>Description</b>	<b>Qty</b>	<b>Serial Number</b>
1	153151	COUPLING – MULTI	1	
	129800	COVER – KIT		
	129801	LATCH – BUTTON KIT		
	129976	COUPLING – 1/4 IN.		
	129977	COUPLING – 3/8 IN.		
2	252694	FITTING – ADAPTER, .052 ORIFICE	3	
	50219	O-RING – #6 ORB		
	135865	O-RING – #6 ORFS		
3	135780	FITTING – ADAPTER	2	
	44209	O-RING – #8 ORB		
	135866	O-RING – #8 ORFS		
4	301693	KIT – CNH ELECTRICAL COVER	1	
5	213182	HOSE – HYD, REEL DRIVE	2	
6	213184	HOSE – HYD, REEL LIFT	1	
7	213350	HOSE – HYD, REEL FORE-AFT (CNH)	2	
8	213354	HOSE – HYD, FORE-AFT (CNH)	2	
9	213204	LINE – REEL DRIVE PRESS (CNH)	1	
10	213205	LINE – REEL DRIVE RETURN (CNH)	1	
11	156725	COVER – HOSE	1	
12	42589	MOULDING	2	
13	37167	CLAMP	2	
14	213965	COVER – HOSE (2016 AND PRIOR)	1	-301189
15	194082	MOULDING (2016 AND PRIOR)	1	-301189
16	276284	COVER – FEED AUGER, SIDE	2	
17	276285	COVER – FEED AUGER, TOP	1	
18	49227	FASTENER – CABLE TIE (GREEN)	3	
19	40702	FASTENER – CABLE TIE (RED)	3	
20	40701	FASTENER – CABLE TIE (YELLOW)	3	
21	49232	FASTENER – CABLE TIE (WHITE)	1	
22	21763	FASTENER – CABLE TIE (BLACK)	7	
23	135444	FASTENER – CINCH STRAP 6 IN. LG	7	
24	163598	STRAP – VELCRO, HANGING	1	
25	136325	CAP – HYD SAE-6 ORFS	1	
26	108233	CAP – 1/2 IN. TUBE (FOR SHIPPING ONLY)	2	
	30813	CAP – 3/8 IN. TUBE 37 DEG FLARE (FOR SHIPPING ONLY)	3	
27	50178	PLUG – 3/8 IN. TUBE (FOR SHIPPING ONLY)	4	
A	135397	BOLT – SOCKET HD (HEX) 5/16 NC X 3/4		
B	30280	NUT – FLG SIDE LK SMTH FACE 5/16 NC GR 5 ZP		
C	136485	BOLT – HEX FLG HD TFL M8 X 1.25 X 16-8.8-A3L		
D	184657	BOLT – RHSSN M10 X 1.5 X 20-8.8-A3L		
E	135799	NUT – HEX FLG CTR LOC M10 X 1.5-10-A3L		
F	252655	BOLT – HEX HD TFL M8 X 1.25 X 30-8.8-A3L		

CASE IH AND NEW HOLLAND CR/CX – HYDRAULIC COMPLETION

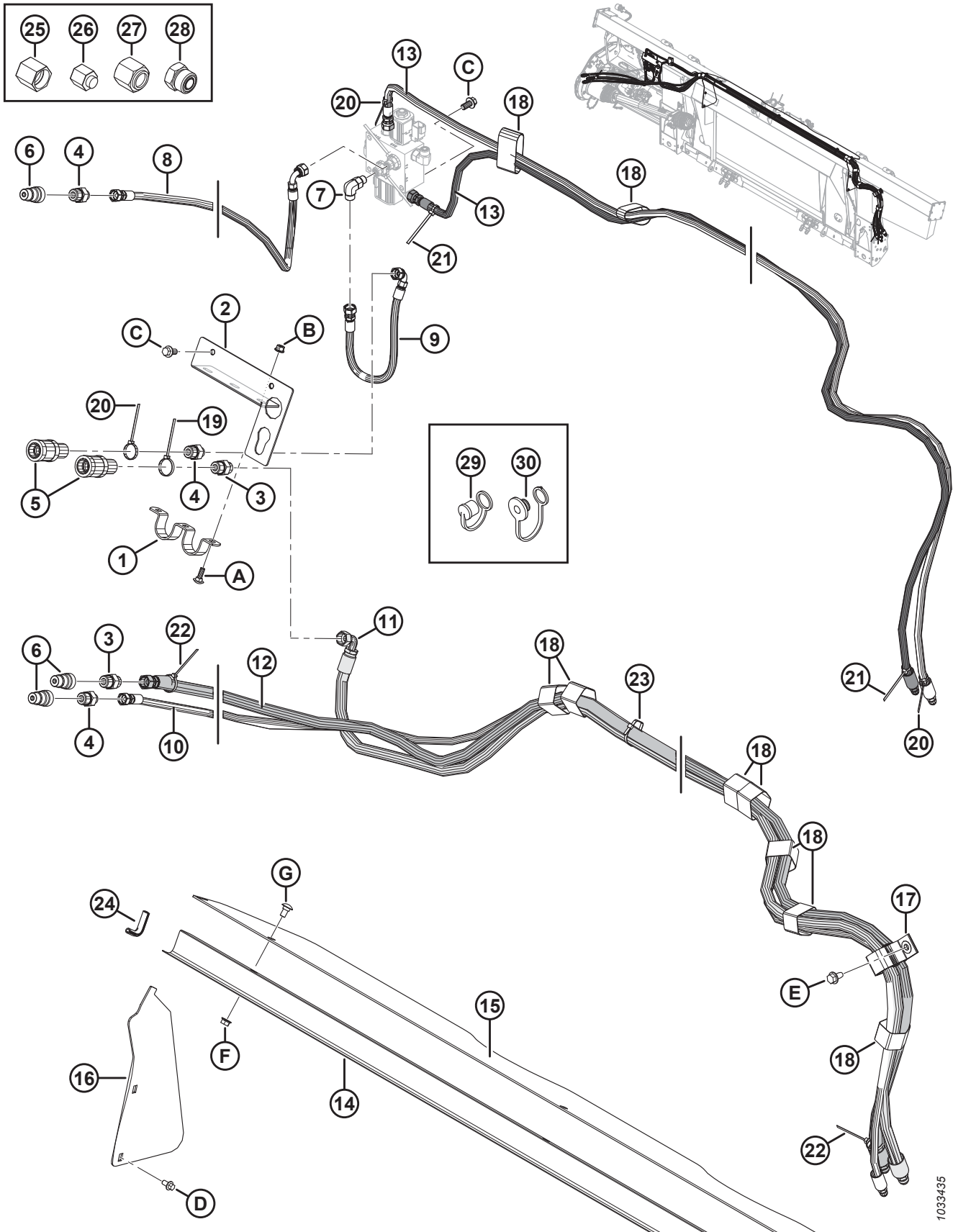


1023906

CASE IH AND NEW HOLLAND CR/CX – HYDRAULIC COMPLETION

Ref	Part Number	Description	Qty	Serial Number
G	152655	BOLT – HEX FLG HD M10 X 1.5 X 20-8.8-A3L		
H	136209	SCREW – HEX WASHER HD M10 X 1.5 X 20-450HV-A3L		

# 128 Case IH 2300/2500 Series – Hydraulic Completion



1033495

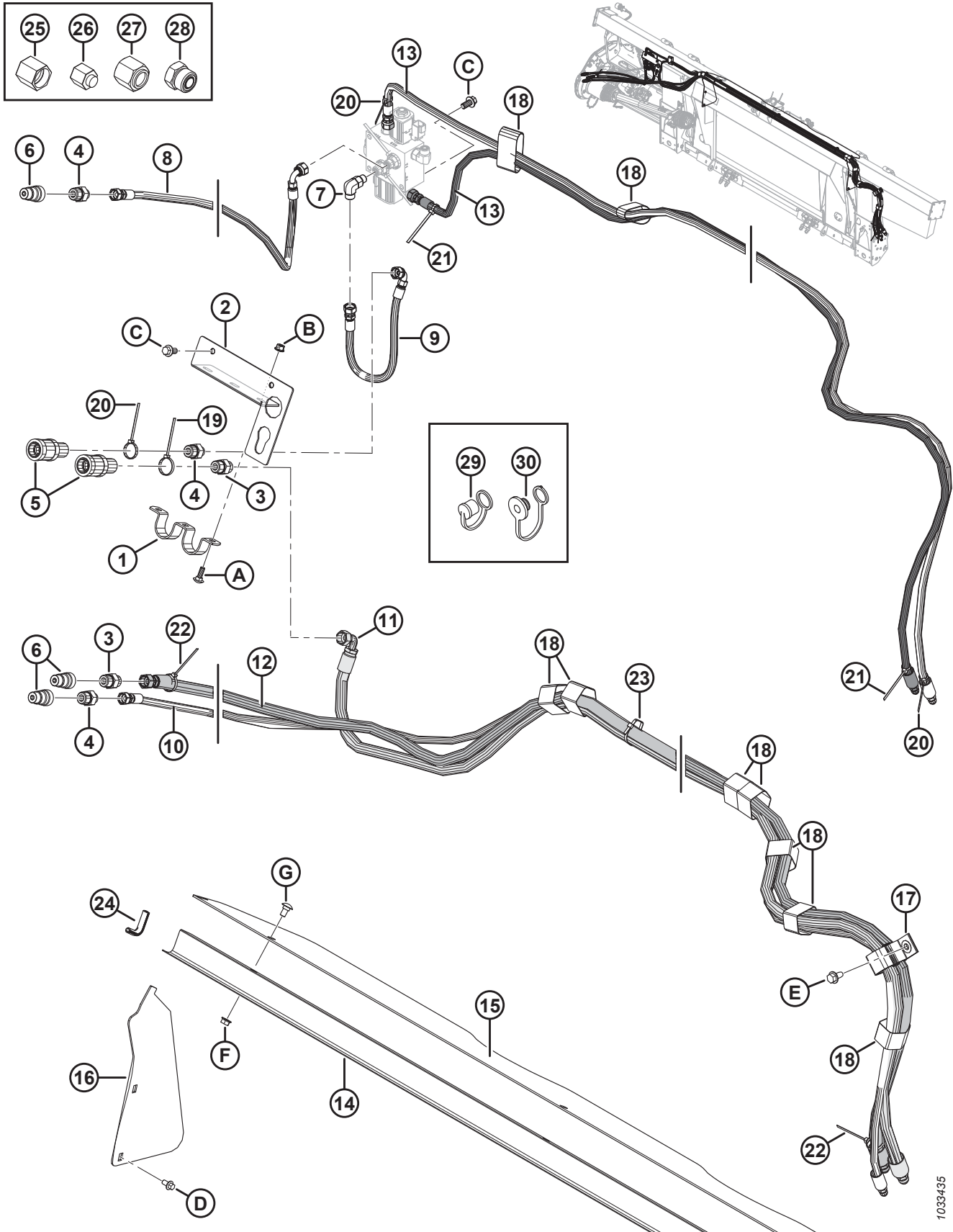
**CASE IH 2300/2500 SERIES – HYDRAULIC COMPLETION**

<b>Ref</b>	<b>Part Number</b>	<b>Description</b>	<b>Qty</b>	<b>Serial Number</b>
1	322695	HOLDER	1	
2	322692	SUPPORT – CONNECTOR	1	
3	184463	FITTING – ADAPTER HYD	2	
	44210	O-RING – #10 ORB		
	135866	O-RING – #8 ORFS		
4	184462	FITTING – ADAPTER HYD	3	
	44210	O-RING – #10 ORB		
	135865	O-RING – #6 ORFS		
5	114143	FITTING – COUPLING HYD	2	
6	114142	FITTING – COUPLING HYD	3	
7	136095	FITTING – ELBOW 90° HYD	1	
	50219	O-RING – #6 ORB		
	135865	O-RING – #6 ORFS		
8	322752	HOSE – HYD, FORE-AFT	1	
9	322751	HOSE – HYD, FORE-AFT	1	
10	322744	HOSE – HYD, REEL LIFT	1	
11	322742	HOSE – HYD, REEL DRIVE	1	
12	322739	HOSE – HYD, REEL DRIVE	1	
13	213350	HOSE – HYDRAULIC	2	
14	156725	COVER – HOSE	1	
15	276285	COVER – FEED AUGER, TOP	1	
16	276284	COVER – FEED AUGER, SIDE	2	
17	163598	CINCH STRAP – HANGING, 6 IN. LG	1	
18	135444	CINCH STRAP – 6 IN. LG	9	
19	49232	FASTENER – CABLE TIE, WHITE	1	
20	49227	FASTENER – CABLE TIE, GREEN	3	
21	40702	FASTENER – CABLE TIE, RED	2	
22	40701	FASTENER – CABLE TIE, YELLOW	2	
23	21763	FASTENER – CABLE TIE, BLACK	4	
24	42589	MOULDING	2	
25	108233	CAP – 1/2 IN. TUBE (FOR SHIPPING ONLY)	2	
26	30813	CAP – 3/8 IN. TUBE 37 DEG FLARE (FOR SHIPPING ONLY)	3	
27	136741	PLUG – HYD SAE -8 ORFS (FOR SHIPPING ONLY)	1	
	136325	PLUG – HYD SAE -6 ORFS, (FOR SHIPPING ONLY)	1	
28	136265	PLUG – HYD SAE -8 ORFS (FOR SHIPPING ONLY)	1	
	136326	PLUG – HYD SAE -6 ORFS (FOR SHIPPING ONLY)	2	
29	21856	CAP – DUST (FOR SHIPPING ONLY) <sup>452</sup>	3	
30	21858	CAP – DUST (FOR SHIPPING ONLY) <sup>453</sup>	2	
A	184648	BOLT – RHSN M8 X 1.25 X 25-8.8-AA1J		
B	135337	NUT – HEX FLG CTR LK M8 X 1.25-8-AA1J		

452. Intended for use with 1/2 in. male quick couplers.

453. Intended for use with 1/2 in. female quick couplers.

CASE IH 2300/2500 SERIES – HYDRAULIC COMPLETION



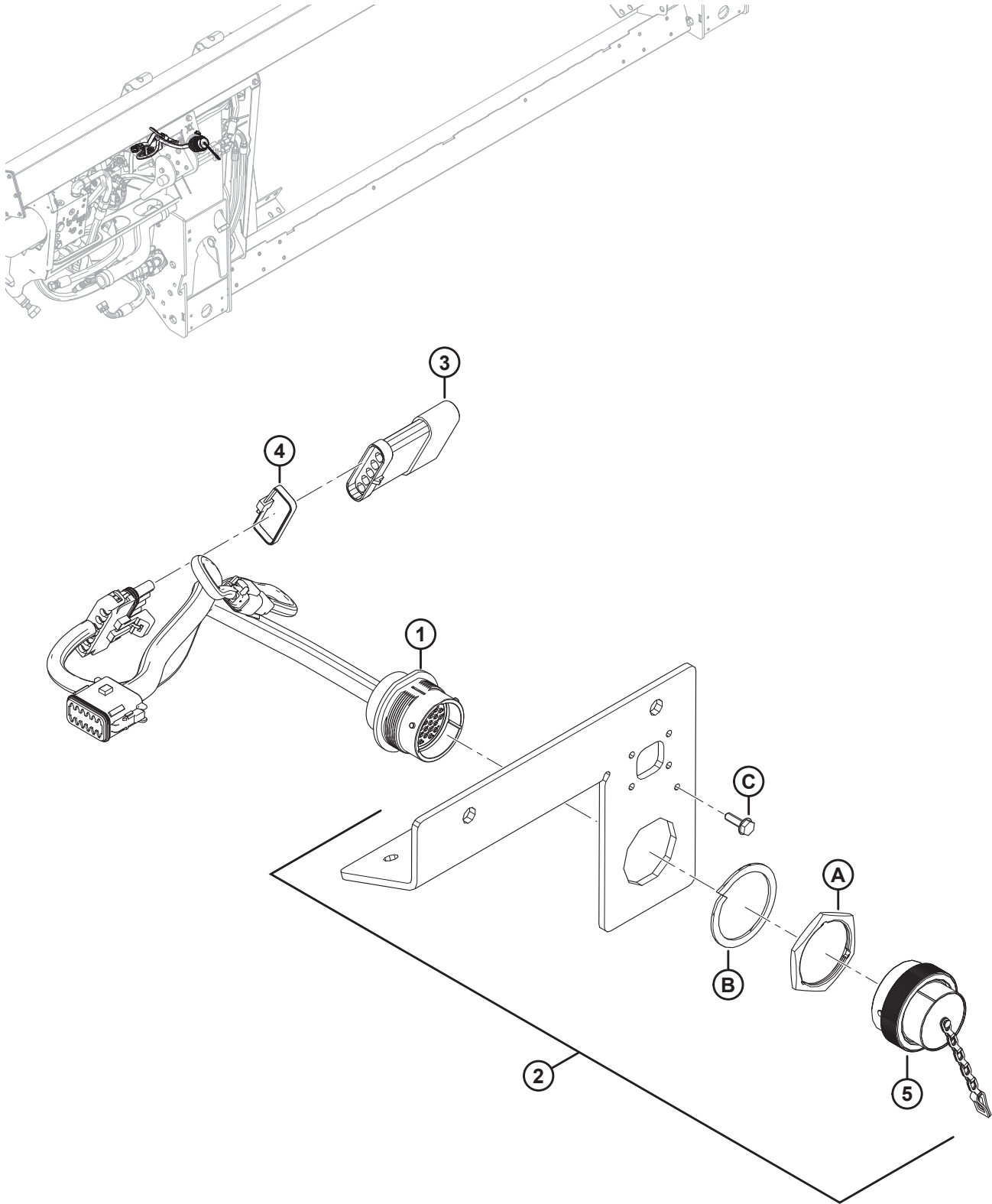
1033435



**CASE IH 2300/2500 SERIES – HYDRAULIC COMPLETION**

<b>Ref</b>	<b>Part Number</b>	<b>Description</b>	<b>Qty</b>	<b>Serial Number</b>
C	152655	BOLT – HEX FLG HD M10 X 1.5 X 20-8.8-AA1J		
D	136485	BOLT – HEX FLG HD TFL M8 X 1.25 X 16-8.8-AA1J		
E	136209	SCREW – HEX WASHER M10 X 1.5 X 20-450HV		
F	30228	NUT – FLG DT SM FACE 3/8-16 UNC-GR5-AA1J		
G	21472	BOLT – RHSN 3/8-16 X .75-GR5 AA1J		

# 129 Case IH and New Holland CR/CX – Electrical Completion



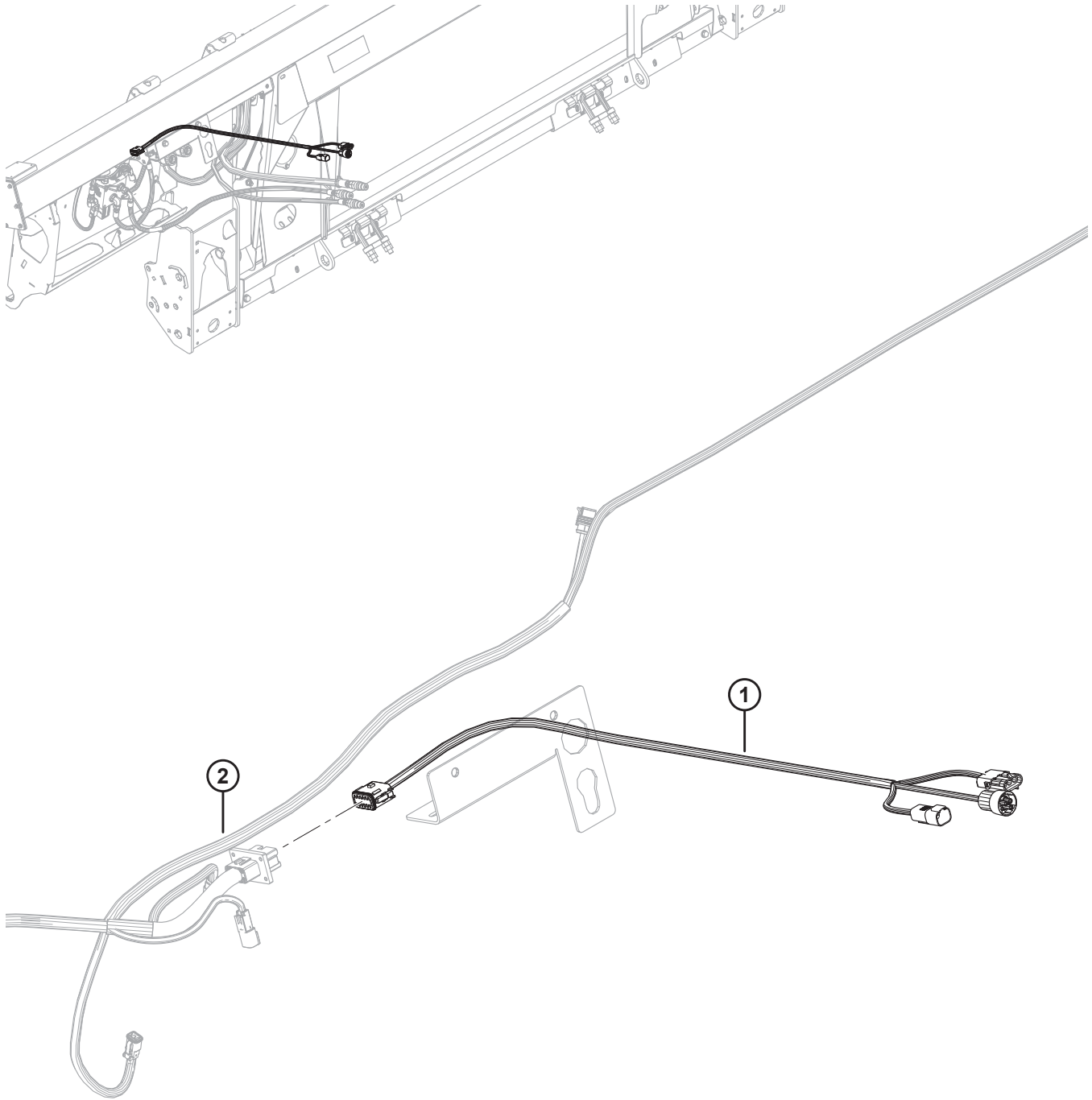
**CASE IH AND NEW HOLLAND CR/CX – ELECTRICAL COMPLETION**

**NOTE:**

For specific electrical harness parts, refer to Electrical Connector Parts Catalog (MD #169641).

<b>Ref</b>	<b>Part Number</b>	<b>Description</b>	<b>Qty</b>	<b>Serial Number</b>
1	213211	HARNESS – FM100, COMPLETION, CNH	1	
	134746	CONNECTOR – CAP, PLUG, 12-WAY	1	
2	301693	KIT – CNH ELECTRICAL COVER	1	
3	153933	RESISTOR – HEADER RECOGNITION	1	
4	30753	FASTENER – CABLE TIE (BLACK)	1	
5	134053	CAP – PLUG, HD30, SIZE 24	1	
A	134010	NUT – PANEL, HD30, SIZE 24		
B	134011	WASHER – LOCK SPRING, DEUTSCH HD, SIZE 24		
C	21947	SCREW – SELF TAPPING HEX WASH HD #10 X 5/8 ZP		

# 130 Case IH 2300/2500 Series – Electrical Completion



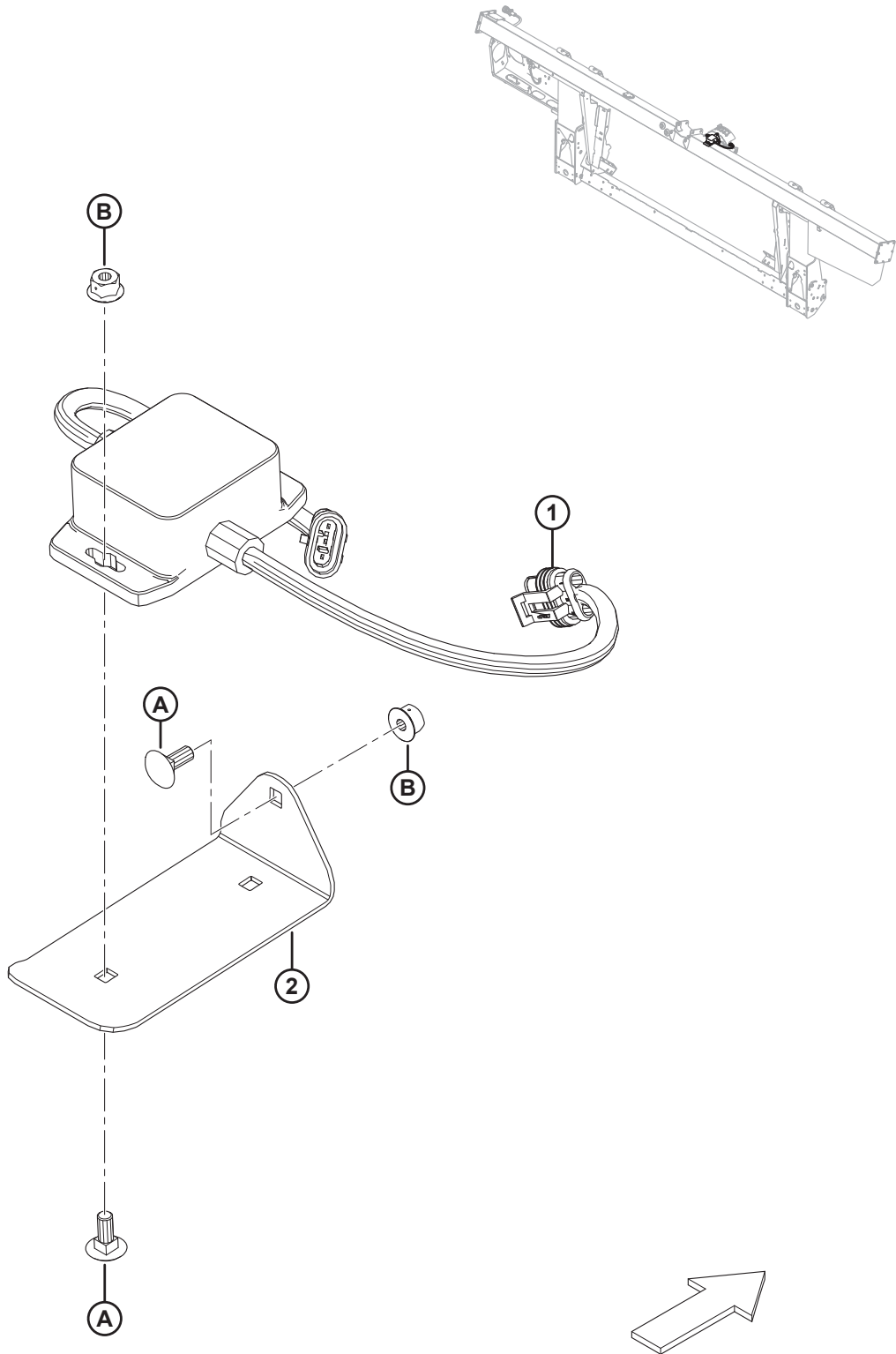
CASE IH 2300/2500 SERIES – ELECTRICAL COMPLETION

**NOTE:**

For specific electrical harness parts, refer to Electrical Connector Parts Catalog (MD #169641).

Ref	Part Number	Description	Qty	Serial Number
1	322748	HARNESS – FM100, COMPLETION, CIH	1	
	134746	CONNECTOR – CAP, PLUG, 12-WAY	1	
2	REF	HARNESS – FM100, MAIN	1	

# 131 New Holland 10 Volt Auto Header Height Control Converter Kit



**NEW HOLLAND 10 VOLT AUTO HEADER HEIGHT CONTROL CONVERTER KIT**

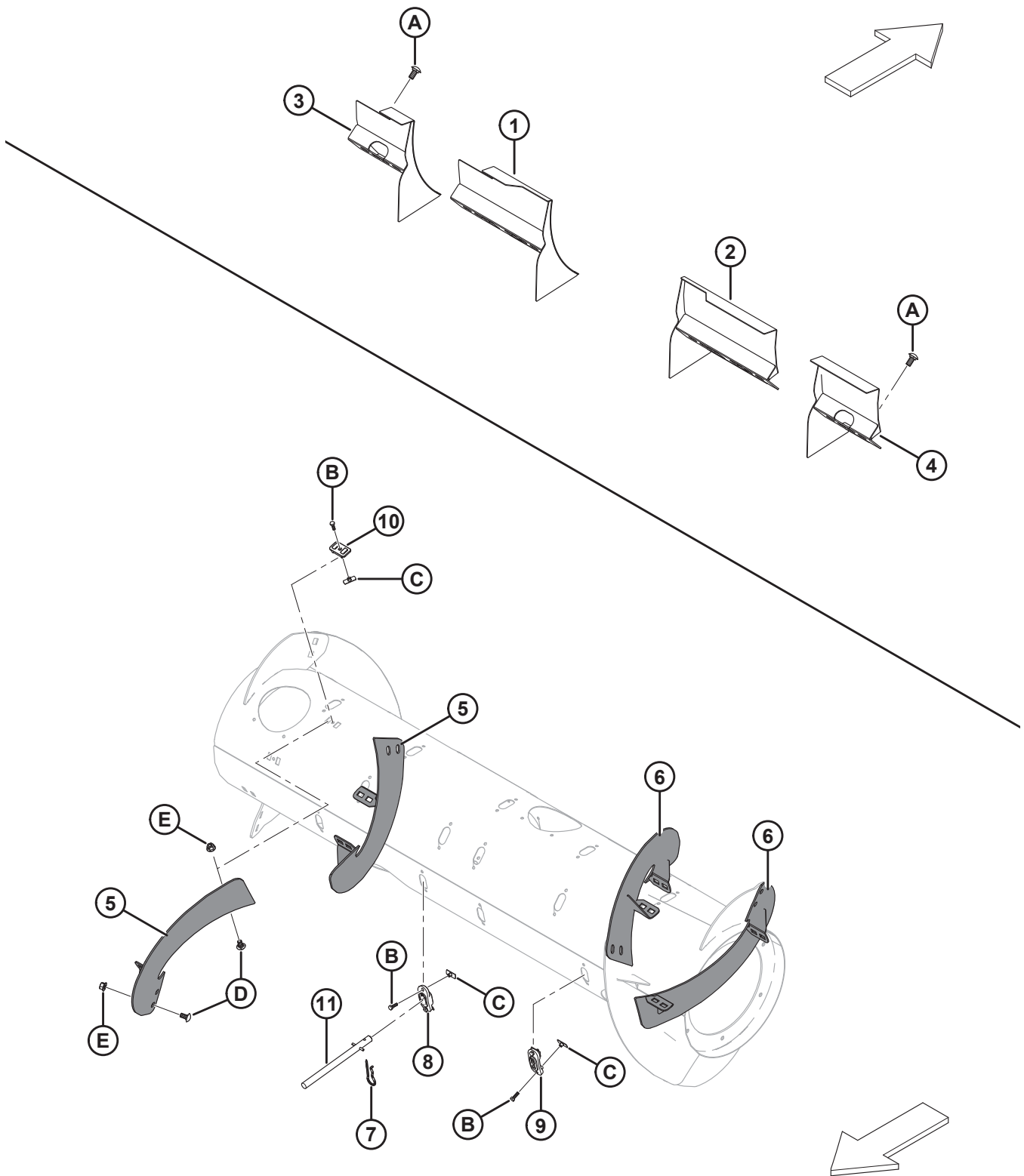
<b>Ref</b>	<b>Part Number</b>	<b>Description</b>	<b>Qty</b>	<b>Serial Number</b>
	B6421	KIT – 10V CONVERTER <sup>454</sup>		
	295013	KIT – 10V CONVERTER <sup>455</sup>		
1	276759	ADAPTER – 10V	1	
2	295401	PLATE – MOUNT	1	
A	136748	BOLT – RHSN M6 X 1 X 16-8.8-A2L		
B	152668	NUT – HEX FLG CTR LOC M6 X 1-8-A2L		

---

454. Includes 10 Volt Converter kit (MD #295013). Kits available through Whole Goods only.

455. Includes all listed parts, hardware, and instructions.

# 132 New Holland CR Fillers Conversion Kit





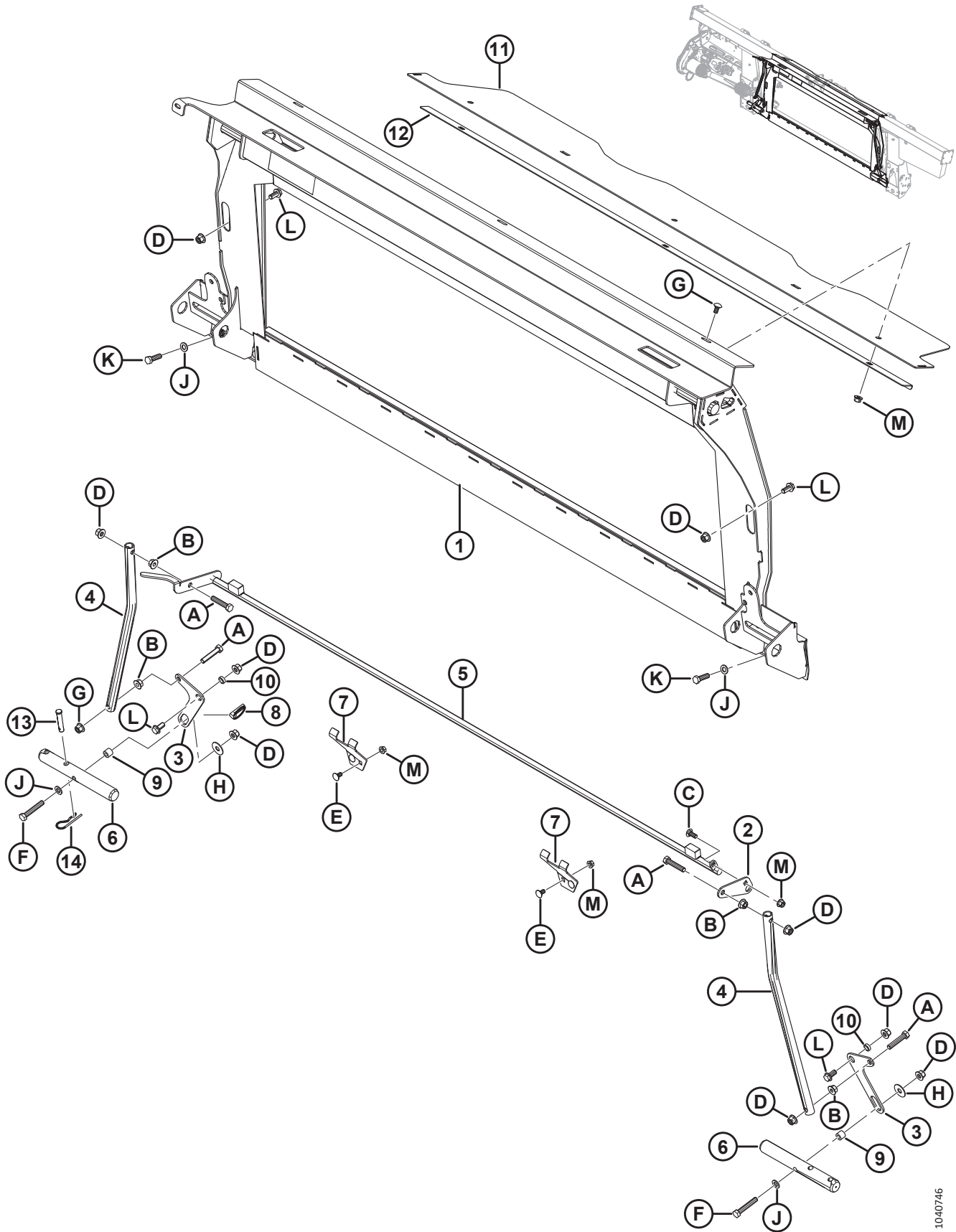
**NEW HOLLAND CR FILLERS CONVERSION KIT**

<b>Ref</b>	<b>Part Number</b>	<b>Description</b>	<b>Qty</b>	<b>Serial Number</b>
	B6886	KIT – NEW HOLLAND CR FILLERS <sup>456</sup>		
1	213592	DEFLECTOR WELDT – NH CR NARROW ONLY (LH)	1	
2	213593	DEFLECTOR WELDT – NH CR NARROW ONLY (RH)	1	
3	213614	DEFLECTOR WELDT – NH CR WIDE ONLY (LH, SHORT)	1	
4	213613	DEFLECTOR WELDT – NH CR WIDE ONLY (RH, SHORT)	1	
5	287890	FLIGHTING, RTD – RH, LONG (HIWEAR)	2	
6	287889	FLIGHTING, RTD – LH, LONG (HIWEAR)	2	
7	123180	PIN – HAIR	8	
8	337143	GUIDE	8	
9	187137	PLUG	4	
10	213084	PLUG – FLIGHTING SLOT	8	
11	337152	KIT – FINGER <sup>457</sup>	8	
	7642	PIN – SPRING 3/16 DIA X 1.5 LG		
A	152439	BOLT – RHSSN M12 X 1.75 X 25-8.8-A3L		
B	252703	BOLT – HEX HD TFL M6 X 1 X 20 X SPCL-12.9-AA2L		
C	197263	NUT – TEE M6 X 1		
D	184657	BOLT – RHSSN M10 X 1.5 X 20-8.8-A3L		
E	135799	NUT – HEX FLG CTR LOC M10 X 1.5-10-A3L		

456. Kits available through Whole Goods only.

457. Includes solid finger (not sold separately), spring pin (MD #7642), guide (MD #337143), and instructions.

# 133 CLAAS Lexion 500/700 Series – Float Module Completion



1040746

**CLAAS LEXION 500/700 SERIES – FLOAT MODULE COMPLETION**

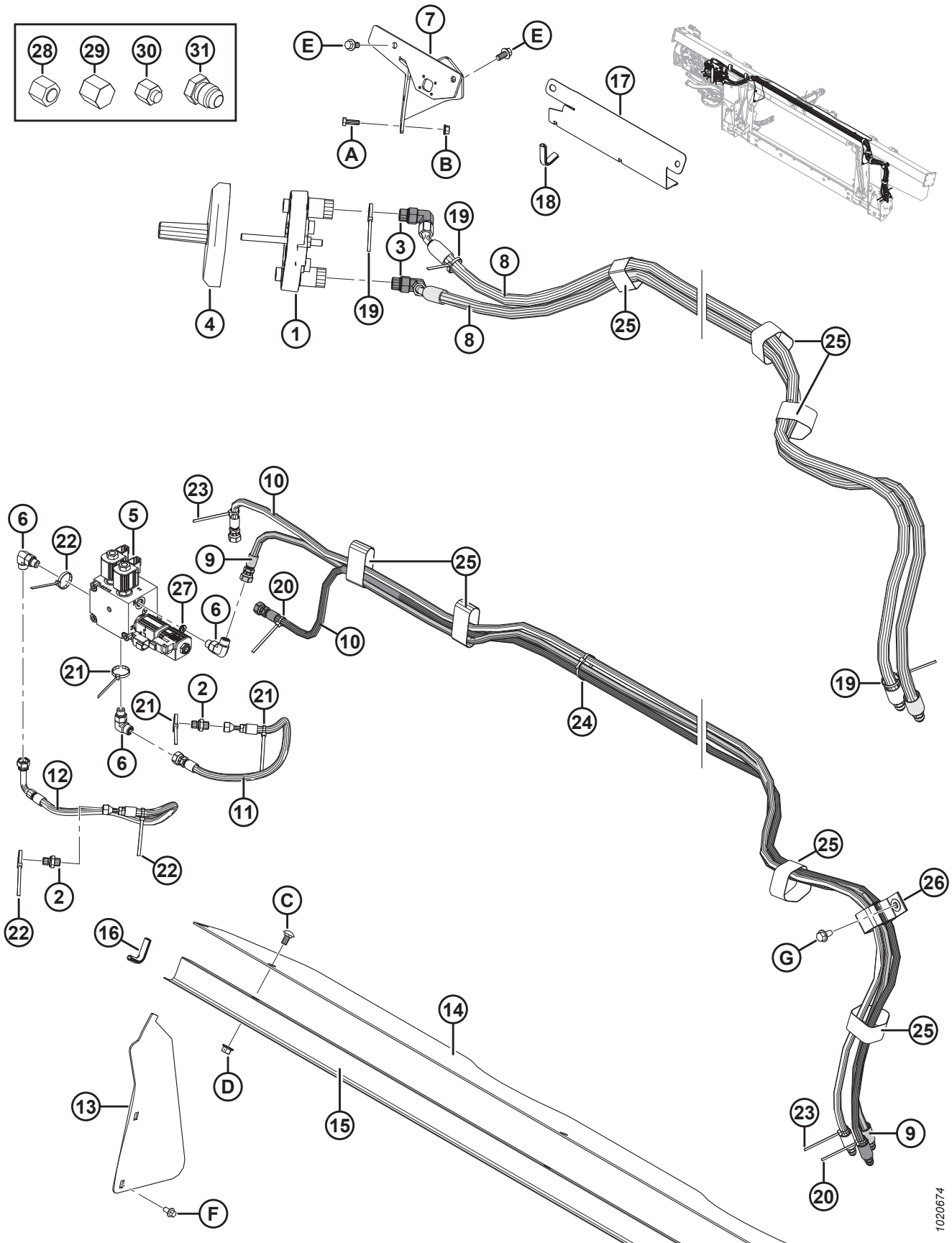
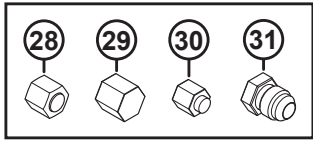
Ref	Part Number	Description	Qty	Serial Number
	B6960	COMP PKG – CLAAS <sup>458</sup>		
1	347077	FRAME – CLAAS TRANSITION W/DECAL	1	
2	328582	LEVER	1	
3	<b>304669</b>	<b>LEVER – PIVOT</b>	<b>2</b>	
4	156783	TUBE – LINK	2	
5	<b>335849</b>	<b>LATCH WELDMENT</b>	<b>1</b>	
6	133138	SHAFT <sup>459</sup>	2	
7	245246	SUPPORT – LOCK KEEPER	2	
8	113561	PIN – LYNCH <sup>460</sup>	A/R	
9	337043	BUSHING – M12 THREADED	2	
10	133439	SPACER – 0.75 O.D. X 0.120 IN. WALL	2	
11	328356	COVER – FEED AUGER TOP	1	
12	301629	RETAINER – DUST COVER	1	
13	<b>19809</b>	<b>PIN – CLEVIS</b>	<b>1</b>	
14	<b>13125</b>	<b>PIN – HAIR</b>	<b>1</b>	
A	237316	BOLT – HEX HD TFL M12 X 1.75 X 60-8.8-AA1J		
B	136036	NUT – HEX SM FLG M12 X 1.75-8-AA1J		
C	136506	BOLT – RHSSN M10 X 1.5 X 25-8.8-AA1J		
D	136431	NUT – HEX FLG CTR LOC M12 X 1.75-10-A3L		
E	136178	BOLT – RHSN M10 X 1.5 X 20-8.8-AA1J		
F	184675	BOLT – HEX HD M12 X 1.75 X 70-8.8-AA1J		
G	184657	BOLT – RHSSN M10 X 1.5 X 20-8.8-AA1J		
H	32247	WASHER – FLAT		
J	184714	WASHER – FLAT REG M12-300HV-A3L		
K	184669	BOLT – HEX HD M12 X 1.75 X 40-8.8-A3L		
L	136625	BOLT – HEX SER FLG HD M12 X 1.75 X 25 X SPCL-100-AA1J		
M	135799	NUT – HEX FLG CTR LOC M10 X 1.5-10		

458. CLAAS Lexion 500/700 Series Completion Package includes float module, hydraulic, and electrical completion packages required to complete a stand-alone FM100 or to convert to an existing factory-installed FM100. Kits available through Whole Goods only.

459. Shaft (MD #304782) with additional machining is available for service of CLAAS machines with fit-up issues in the field. For more information, see Service Bulletin SB #1917.

460. Service part only for superseded pivot lever (MD #347569).

# 134 CLAAS Lexion 500/700 Series – Hydraulic Completion

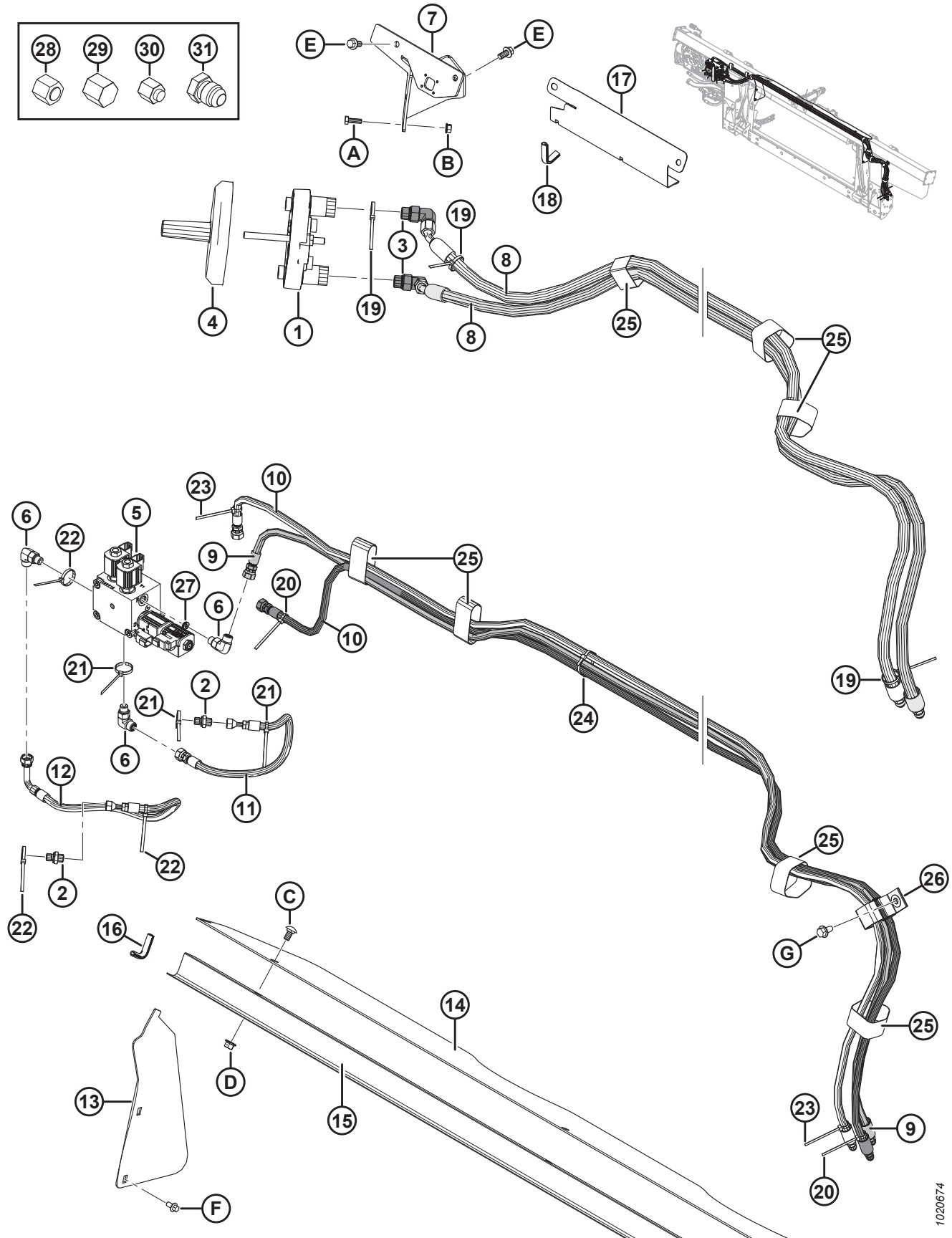


**CLAAS LEXION 500/700 SERIES – HYDRAULIC COMPLETION**

Ref	Part Number	Description	Qty	Serial Number
1	190866	COUPLER – LEXION MULTILINK	1	
2	136503	FITTING – ADAPTER -4 ORFS X -4 BSPP	2	
	135957	O-RING – #4 ORFS		
	136519	O-RING – #4 BSPP		
3	135917	FITTING – ELBOW 90° HYD	2	
	44210	O-RING – #10 ORB		
	135866	O-RING – #8 ORFS		
4	129481	COVER	1	
5	335341	MANIFOLD – SELECTOR, CLAAS	1	
	287462	COIL – 12VDC-0.625 IN. (V3)		
	287456	VALVE – 3-POS 4-WAY (V3)		
	245159	SEAL KIT (FOR VALVE MD #287456)		
	287461	COIL – 12VDC-0.500 IN. (V1, V2)		
	287460	VALVE – NC POPPET (V1, V2)		
	287465	SEAL KIT (FOR VALVE MD #287460)		
	279228	VALVE – CARTRIDGE, PO CHECK (CPD)		
	220959	SEAL KIT (FOR VALVE MD #279228)		
	163184	O-RING (2020 AND PRIOR) <sup>461</sup>		-396189
	320284	O-RING – 2.38 X 20.64		396190-
	136108	SCREW – HEX SOC HD M10 X 1.5 X 80-12.9-AA1J		
	184711	WASHER – FLAT REG M10-200HV-AA1J		
6	136095	FITTING – ELBOW 90° HYD	3	
	50219	O-RING – #6 ORB		
	135865	O-RING – #6 ORFS		
7	287344	SUPPORT – WELDMENT LEXION COUPLER	1	
8	287864	HOSE – HYD, REEL DRIVE	2	
9	287865	HOSE – HYD, REEL LIFT	1	
10	287866	HOSE – HYD, REEL FORE-AFT	2	
11	213374	HOSE – HYD, REEL PRESS	1	
12	287870	HOSE – HYD, REEL RETURN	1	
13	276284	COVER – FEED AUGER, SIDE	2	
14	276285	COVER – FEED AUGER, TOP	1	
15	156725	COVER – HOSE	1	
16	42589	MOULDING	2	
17	213965	COVER – HOSE (2016 AND PRIOR)	1	-301189
18	194082	MOULDING (2016 AND PRIOR)	1	-301189
19	40701	FASTENER – CABLE TIE (YELLOW)	3	
20	40702	FASTENER – CABLE TIE (RED)	2	
21	40703	FASTENER – CABLE TIE (BLUE)	3	
22	40704	FASTENER – CABLE TIE (ORANGE)	3	
23	49227	FASTENER – CABLE TIE (GREEN)	2	

461. Service part only for units made in model year 2020 and prior. For units made in model year 2021 and later, or for units serviced with manifold MD #335341, order O-ring MD #320284.

CLAAS LEXION 500/700 SERIES – HYDRAULIC COMPLETION

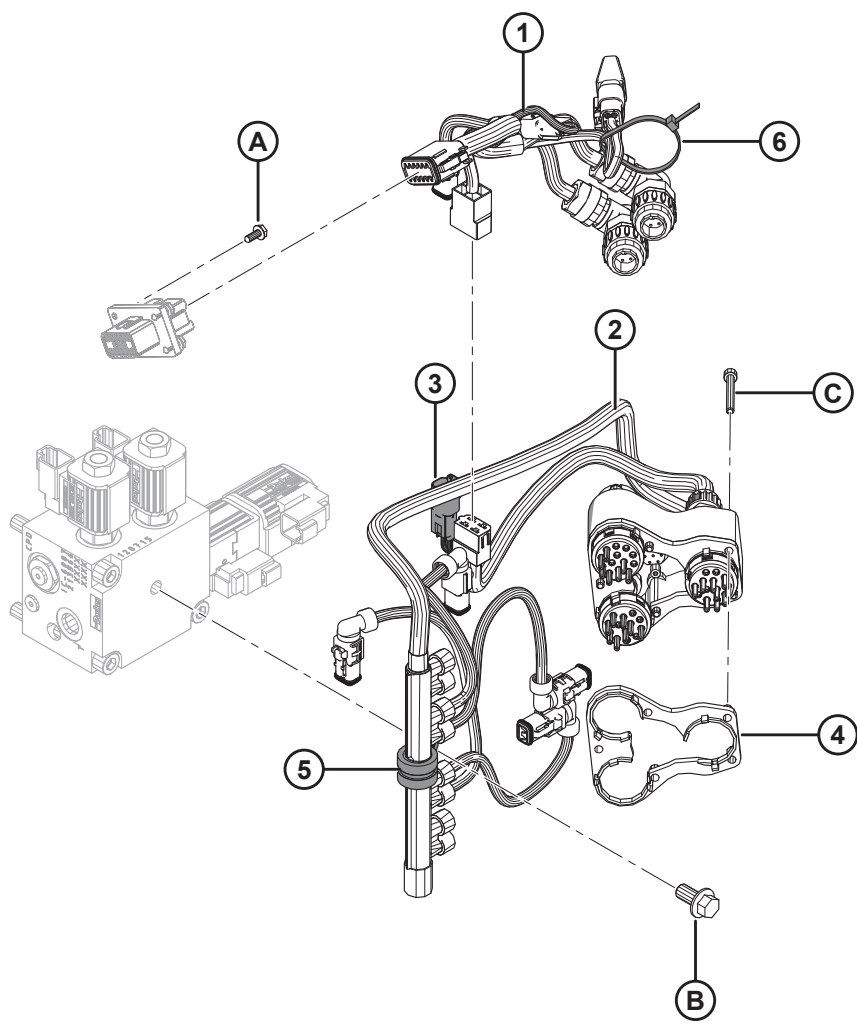
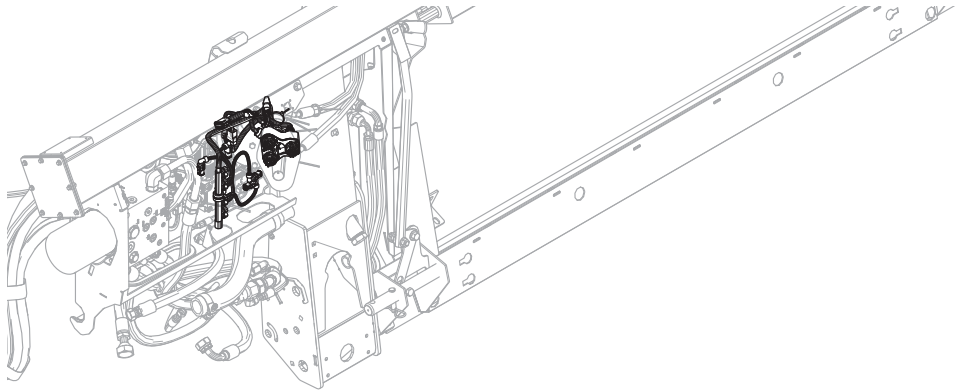


1020674

**CLAAS LEXION 500/700 SERIES – HYDRAULIC COMPLETION**

<b>Ref</b>	<b>Part Number</b>	<b>Description</b>	<b>Qty</b>	<b>Serial Number</b>
24	21763	FASTENER – CABLE TIE (BLACK)	3	
25	135444	FASTENER – CINCH STRAP 6 IN. LG	7	
26	163598	STRAP – VELCRO, HANGING	1	
27	252693	RESTRICTOR – #6 ORB X .052 IN.	1	
28	136325	CAP – HYD SAE-6 ORFS	2	
29	108233	CAP – 1/2 IN. TUBE (FOR SHIPPING ONLY)	2	
30	30813	CAP – 3/8 IN. TUBE 37 DEG FLARE (FOR SHIPPING ONLY)	3	
31	50178	PLUG – 3/8 IN. TUBE (FOR SHIPPING ONLY)	4	
A	184652	BOLT – HEX HD TFL M8 X 1.25 X 25-8.8-A2L		
B	135337	NUT – HEX FLG CTR LOC M8 X 1.25-8-A2L		
C	184657	BOLT – RHSSN M10 X 1.5 X 20-8.8-A3L		
D	135799	NUT – HEX FLG CTR LOC M10 X 1.5-10-A3L		
E	152655	BOLT – HEX FLG HD M10 X 1.5 X 20-8.8-A3L		
F	136485	BOLT – HEX FLG HD TFL M8 X 1.25 X 16-8.8-A3L		
G	136209	SCREW – HEX WASHER HD M10 X 1.5 X 20-450HV-A3L		

# 135 CLAAS Lexion 500/700 Series – Electrical Completion





**CLAAS LEXION 500/700 SERIES – ELECTRICAL COMPLETION**

**NOTE:**

For specific electrical harness parts, refer to Electrical Connector Parts Catalog (MD #169641).

Ref	Part Number	Description	Qty	Serial Number
1	276806	HARNESS – FM100, COMPLETION, CLAAS	1	
	134746	CONNECTOR – CAP, PLUG, 12-WAY	1	
	283215	MODULE – DIODE PACK, 6A DIODE <sup>462</sup>	1	
2	<b>323936</b>	<b>HARNESS – COUPLER, CLAAS <sup>463</sup></b>	1	
	129772	HARNESS – WIRING <sup>464</sup>	1	
3	213824	HARNESS – LEXION COUPLER MOD <sup>464</sup>	1	
4	129773	SPACER – WIRING HARNESS	1	
5	135709	CLAMP – INSULATED 3/4 IN.	1	
6	21763	FASTENER – CABLE TIE (BLACK)	1	
A	REF	SCREW – SELF TAPPING HEX WASH HD #10 X 1/2 ZP <sup>465</sup>		
B	152655	BOLT – HEX FLG HD M10 X 1.5 X 20-8.8-A3L		
C	129965	SCREW – HEX SOC HD M5 X 0.8 X 45-12.9-A2L		

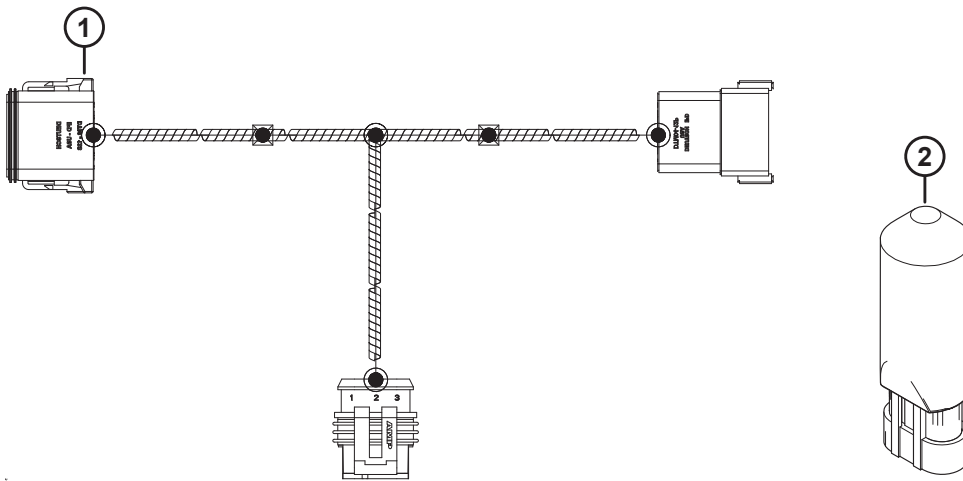
462. Service part only for harness (MD #276806).

463. Includes harnesses (MD #129772 and 213824).

464. Service part only for harness (MD #323936).

465. Screw (MD #42292) not included in completion package. Refer to Section *116 Electrical Components – FM100, page 339*.

# 136 CLAAS Reel Height Resistor Kit



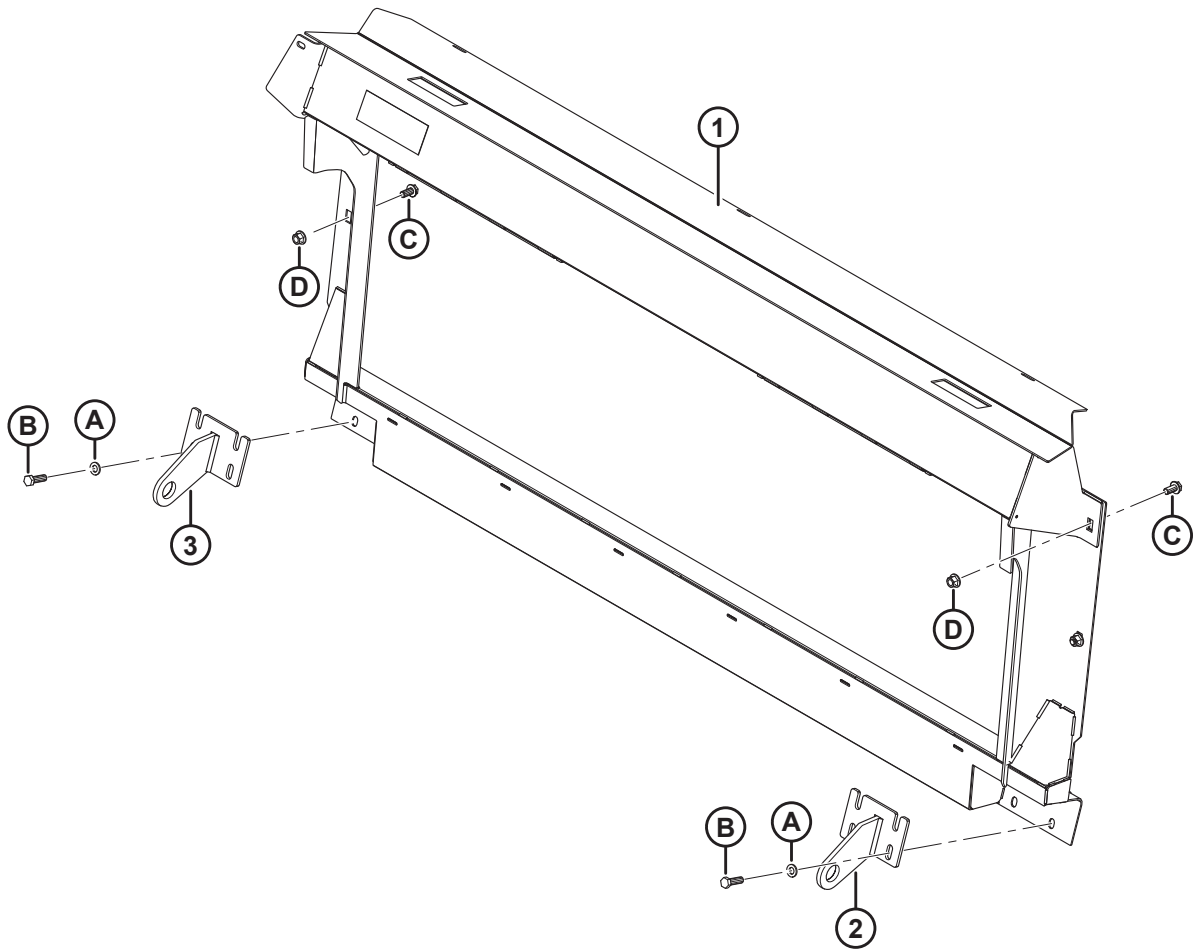
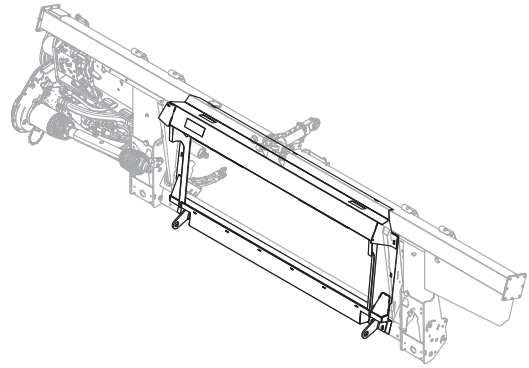
CLAAS REEL HEIGHT RESISTOR KIT

Ref	Part Number	Description	Qty	Serial Number
	295710	KIT – CLAAS REEL HEIGHT RESISTOR <sup>466</sup>		
1	301104	HARNESS – CLAAS REEL HT V-REG.	1	
2	133683	REGULATOR – VOLTAGE	1	

---

466. Kit includes listed parts.

# 137 John Deere 50 Series – Float Module Completion



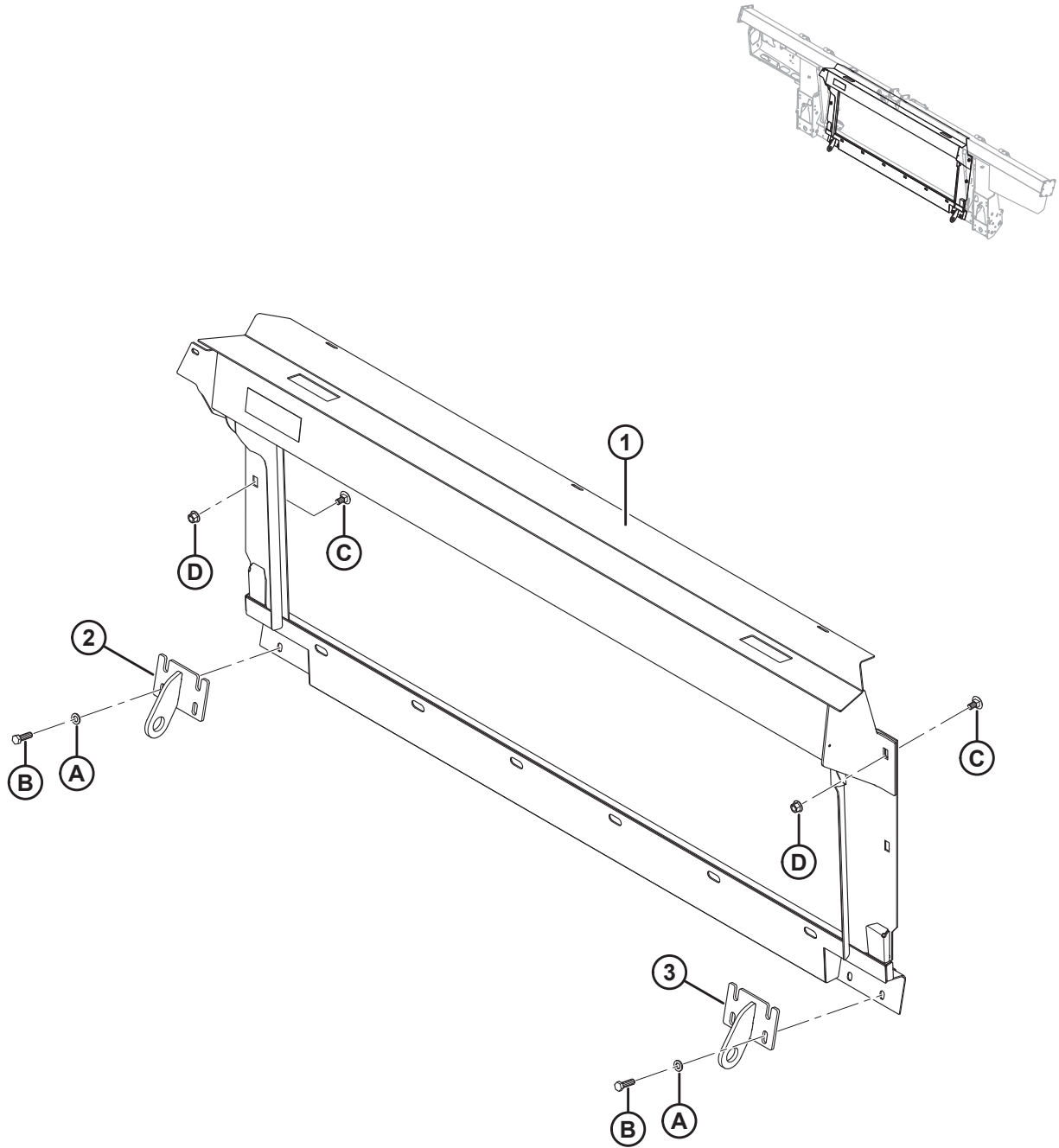
**JOHN DEERE 50 SERIES – FLOAT MODULE COMPLETION**

<b>Ref</b>	<b>Part Number</b>	<b>Description</b>	<b>Qty</b>	<b>Serial Number</b>
	B9030	COMP PKG – JD 50 SERIES <sup>467</sup>		
1	294514	FRAME – JD WELDT LEVEL LAND	1	
2	151942	BRACKET – RIGHT WELDT	1	
3	151941	BRACKET – LEFT WELDT	1	
A	184714	WASHER – FLAT REG M12-300HV		
B	184669	BOLT – HEX HD M12 X 1.75 X 40-8.8-AA1J		
C	136625	BOLT – HEX SER FLG HD M12 X 1.75 X 25 X SPCL-100-AA1J		
D	136431	NUT – HEX FLG CTR LOC M12 X 1.75-10		

---

467. JD 50 Series Completion Package includes float module, hydraulic, and electrical completion packages required to complete a stand-alone FM100 or to convert to an existing factory-installed FM100. Kits available through Whole Goods only.

# 138 John Deere 60/70 S/T Series – Float Module Completion



**JOHN DEERE 60/70 S/T SERIES – FLOAT MODULE COMPLETION**

Ref	Part Number	Description	Qty	Serial Number
	B6962	COMP PKG – JD 60/70 S SERIES <sup>468</sup>		
	B6963	COMP PKG – JD 60/70 T SERIES <sup>468</sup>		
1	347301	ASSEMBLY – JD CM TRANS FRAME W/DECAL (S SERIES W/ CONTOUR MASTER FEEDER HOUSE) <sup>469</sup>	1	
	294514	FRAME – JD WELDT LEVEL LAND (T OR S SERIES W/ LEVEL LAND FEEDER HOUSE) <sup>470</sup>	1	
2	<b>347179</b>	<b>ANCHOR – WELDT, LH (S SERIES ONLY) <sup>471</sup></b>	<b>1</b>	
	151941	BRACKET – LEFT WELDT (T SERIES ONLY) <sup>472</sup>	1	
3	<b>347180</b>	<b>ANCHOR – WELDT, RH (S SERIES ONLY) <sup>471</sup></b>	<b>1</b>	
	151942	BRACKET – RIGHT WELDT (T SERIES ONLY) <sup>472</sup>	1	
A	184714	WASHER – FLAT REG M12-300HV-A3L		
B	184669	BOLT – HEX HD M12 X 1.75 X 40-8.8-A3L		
C	136625	BOLT – HEX SER FLG HD M12 X 1.75 X 25 X SPCL-100-AA1J		
D	136431	NUT – HEX FLG CTR LOC M12 X 1.75-10-A3L		

468. Includes float module, hydraulic, and electrical completion packages required to complete a stand-alone FM100 or to convert to an existing factory-installed FM100. Kits available through Whole Goods only.

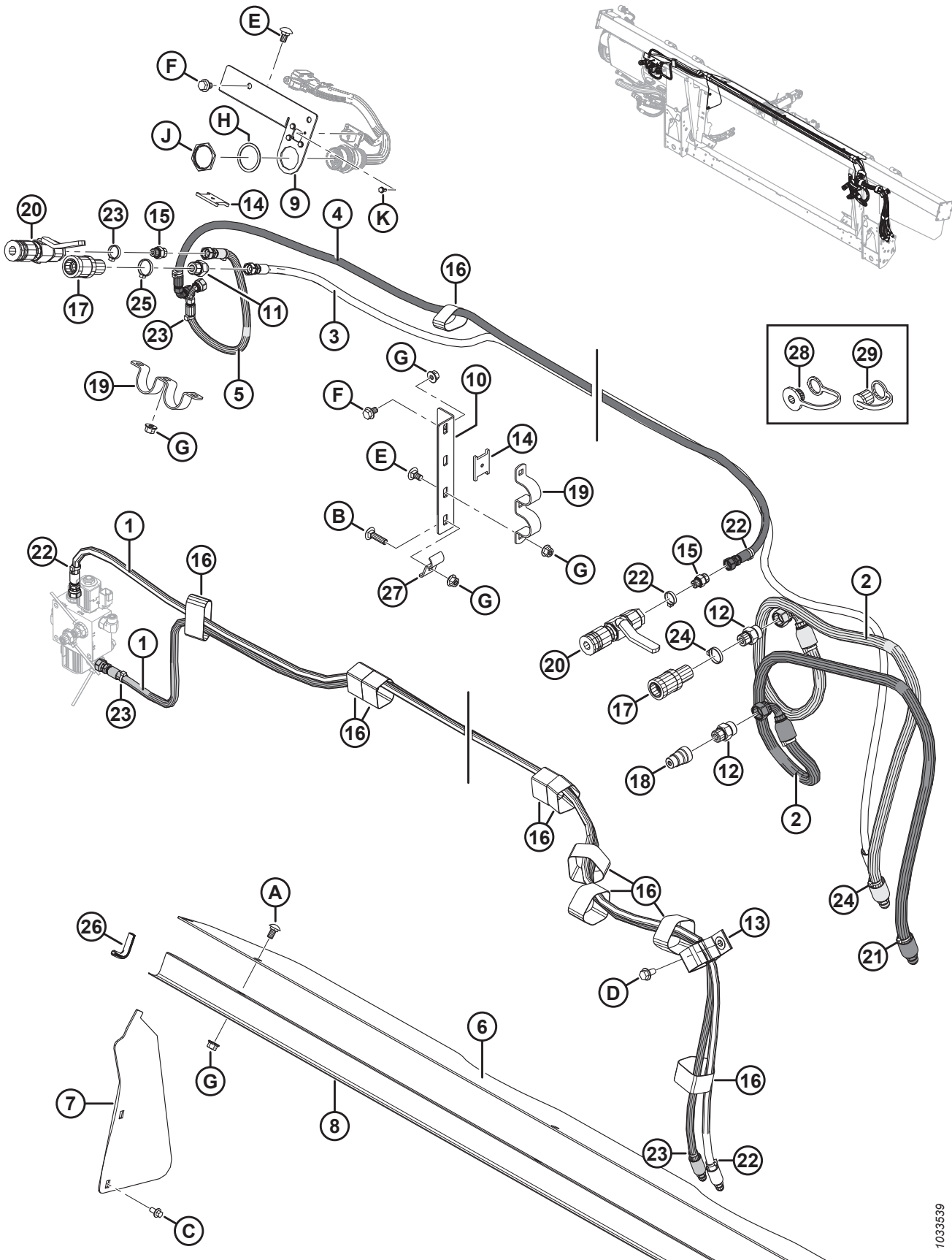
469. S Series with Contour Master feeder house.

470. T or S Series with Level Land feeder house.

471. S Series only.

472. T Series only.

# 139 John Deere 50 Series – Hydraulic Completion





**JOHN DEERE 50 SERIES – HYDRAULIC COMPLETION**

Ref	Part Number	Description	Qty	Serial Number
1	287861	HOSE – HYD, REEL F-A	2	
2	337178	HOSE – REEL DRIVE JD50	2	
3	337175	HOSE – REEL LIFT JD50	1	
4	337174	HOSE – REEL FORE JD50	1	
5	337173	HOSE – REEL AFT JD50	1	
6	276285	COVER – FEED AUGER, TOP	1	
7	276284	COVER – FEED AUGER-SIDE	2	
8	156725	COVER – HOSE	1	
9	337163	SUPPORT – HYD. COUPLER	1	
10	337177	SUPPORT – HYD. COUPLER	1	
11	184462	FITTING – ADAPTER HYD	1	
	44210	O-RING – #10 ORB		
	135865	O-RING – #6 ORFS		
12	184461	FITTING – ADAPTER HYD	2	
	44210	O-RING – #10 ORB		
	135867	O-RING – #10 ORFS		
13	163598	CINCH STRAP, HANGING, 6 IN. LG	1	
14	158253	SPACER – COUPLER MTG	2	
15	135778	FITTING – ADAPTER	2	
	50219	O-RING – #6 ORB		
	135865	O-RING – #6 ORFS		
16	135444	CINCH STRAP 6 IN. LG	10	
17	114143	FITTING – COUPLING HYD	2	
18	114142	FITTING – COUPLING HYD	1	
19	114140	HOLDER	2	
20	114120	FITTING – COUPLING HYD	2	
21	49232	FASTENER – CABLE TIE, WHITE	2	
22	49227	FASTENER – CABLE TIE, GREEN	8	
23	40702	FASTENER – CABLE TIE, RED	5	
24	40701	FASTENER – CABLE TIE, YELLOW	3	
25	21763	FASTENER – CABLE TIE, BLACK	4	
26	42589	MOULDING	2	
27	29934	HOLDER	1	
28	21858	PLUG – DUST	2	
29	21856	CAP – DUST	1	
A	184657	BOLT – RHSSN M10 X 1.5 X 20-8.8-AA1J		
B	152732	BOLT – RHSN M10 X 1.5 X 40-8.8-AA1J		
C	136485	BOLT – HEX FLG HD TFL M8 X 1.25 X 16-8.8-AA1J		
D	136209	SCREW – HEX WSHR M10 X 1.5 X 20-450HV		
E	136178	BOLT – RHSN M10 X 1.5 X 20-8.8-AA1J		
F	136151	BOLT – HEX FLG HD TFL M10 X 1.5 X 16-8.8-AA1J		
G	135799	NUT – HEX FLG CTR LOC M10 X 1.5-10		
H	134011	WASHER – LOCK SPRING, DEUTSCH HD, SIZE 24		
J	134010	NUT – PANEL, HD30, SIZE 24		
K	42292	SCREW – TPG HEX WSH HD #10 X 1/2-GR5-AA1T		



**JOHN DEERE 60/70 S/T SERIES – HYDRAULIC COMPLETION**

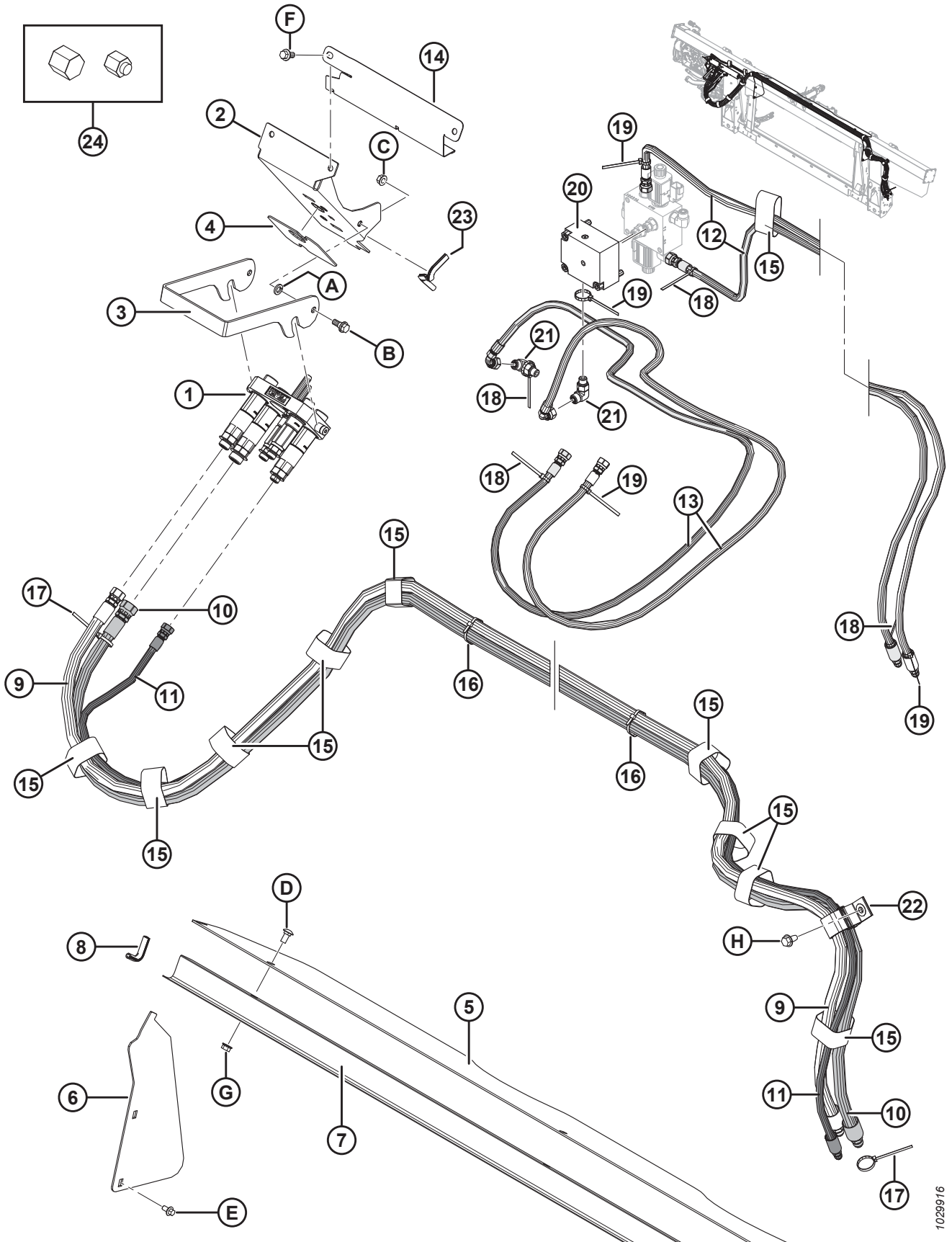
**NOTE:**

Some completion packages may have been shipped with a Parker multicoupler (not sold separately). Service parts for Parker multicouplers include plate assembly (MD #182182), three 1/2 inch female couplers (MD #184460), two 3/8 inch couplers (MD #191704), 1/2 inch seal kit (MD #129860), 3/8 inch seal kit (MD #129859), two fittings (MD #191705), fitting (MD #184461), fitting (MD #184463), two bushings (MD #182181), adapter fitting (MD #184462), and two screws (MD #184524). Parker multicoupler service parts are **NOT** interchangeable with Faster multicoupler (MD #279718) service parts. To replace the entire multicoupler, order Faster multicoupler (MD #279718).

Ref	Part Number	Description	Qty	Serial Number
1	279718	COUPLING – MULTI JD (FASTER)	1	
	294097	KIT – COUPLER PLATE ASSY, JD (FASTER) <sup>473</sup>		
	279011	KIT – COUPLER, 3/8 C/W 3/8 IN. FITTING, RED/GREEN (FASTER) <sup>473</sup>	2	
	279012	KIT – COUPLER, 9/16 C/W 5/8 IN. FITTING, YELLOW (FASTER) <sup>473</sup>	1	
	279013	KIT – COUPLER, 9/16 C/W 1/2 IN. FITTING, WHITE (FASTER) <sup>473</sup>	1	
	279014	KIT – COUPLER, 9/16 C/W 3/8 IN. FITTING, BLUE (FASTER) <sup>473</sup>	1	
	279034	SEAL – 3/8 COUPLER (FASTER) <sup>473</sup>		
	279035	SEAL – 9/16 COUPLER (FASTER) <sup>473</sup>		
2	213264	BRACKET – JD COUPLER	1	
3	248960	LATCH – COUPLER BRACKET	1	
4	129149	PAD – RUBBER	1	
5	276285	COVER – FEED AUGER, TOP	1	
6	276284	COVER – FEED AUGER, SIDE	2	
7	156725	COVER – HOSE	1	
8	42589	MOULDING	2	
9	287860	HOSE – HYD, REEL DR (JD)	1	
10	287312	HOSE – HYD, REEL DR (JD)	1	
11	287863	HOSE – HYD, REEL LIFT (JD)	1	
12	287861	HOSE – HYD, REEL FORE-AFT (JD)	2	
13	287862	HOSE – HYD, REEL FORE-AFT (JD)	2	
14	213965	COVER – HOSE	1	
15	135444	FASTENER – CINCH STRAP 6 IN. LG	11	
16	21763	FASTENER – CABLE TIE (BLACK)	3	
17	40701	FASTENER – CABLE TIE (YELLOW)	2	
18	40702	FASTENER – CABLE TIE (RED)	5	
19	49227	FASTENER – CABLE TIE (GREEN)	5	

473. Service part for Faster multicoupler (MD #279718) only. **NOT** interchangeable with Parker multicoupler (not sold separately) service parts.

JOHN DEERE 60/70 S/T SERIES – HYDRAULIC COMPLETION



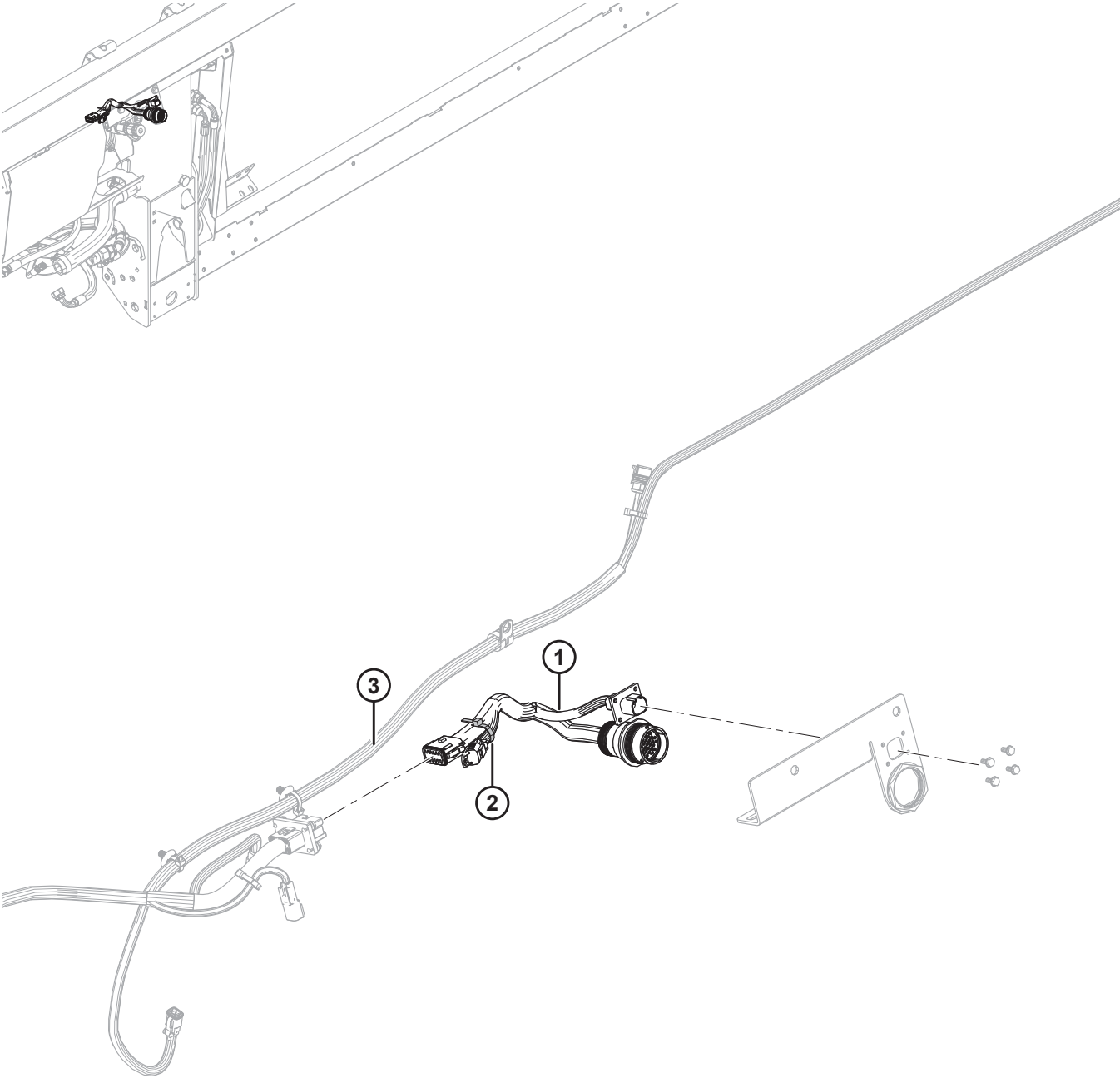
1029916

**JOHN DEERE 60/70 S/T SERIES – HYDRAULIC COMPLETION**

Ref	Part Number	Description	Qty	Serial Number
20	335342	VALVE – CHECK	1	
	279228	VALVE – CARTRIDGE, PO CHECK		
	163184	O-RING (2020 AND PRIOR) <sup>474</sup>		-396189
	320284	O-RING – 2.38 X 20.64		396190-
	220959	SEAL KIT		
	184711	WASHER – FLAT REG M10-200HV-AA1J		
	<b>320392</b>	<b>SCREW – HEX SOC HD M10X1.5X55-8.8-ZINC</b>		
21	136095	FITTING – ELBOW 90° HYD	2	
22	163598	STRAP – VELCRO, HANGING	1	
23	42074	MOULDING	1	
24	108233	CAP – 1/2 IN. TUBE (FOR SHIPPING ONLY)	2	
	30813	CAP – 3/8 IN. TUBE 37 DEG FLARE (FOR SHIPPING ONLY)	3	
A	18652	WASHER – REG. LOCK 7/16 IN. NOM. I.D. ZP		
B	27647	BOLT – SHOULDER		
C	30228	NUT – FLANGE DT SMTH FACE 0.375-16 UNC		
D	184657	BOLT – RHSSN M10 X 1.5 X 20-8.8-A3L		
E	136485	BOLT – HEX FLG HD TFL M8 X 1.25 X 16-8.8-A3L		
F	152655	BOLT – HEX FLG HD M10 X 1.5 X 20-8.8-A3L		
G	135799	NUT – HEX FLG CTR LOC M10 X 1.5-10-A3L		
H	136209	SCREW – HEX WASHER HD M10 X 1.5 X 20-450HV-A3L		

474. Service part only for units made in model year 2020 and prior. For units made in model year 2021 and later, or for units serviced with manifold MD #335342, order O-ring MD #320284.

# 141 John Deere 50 Series – Electrical Completion



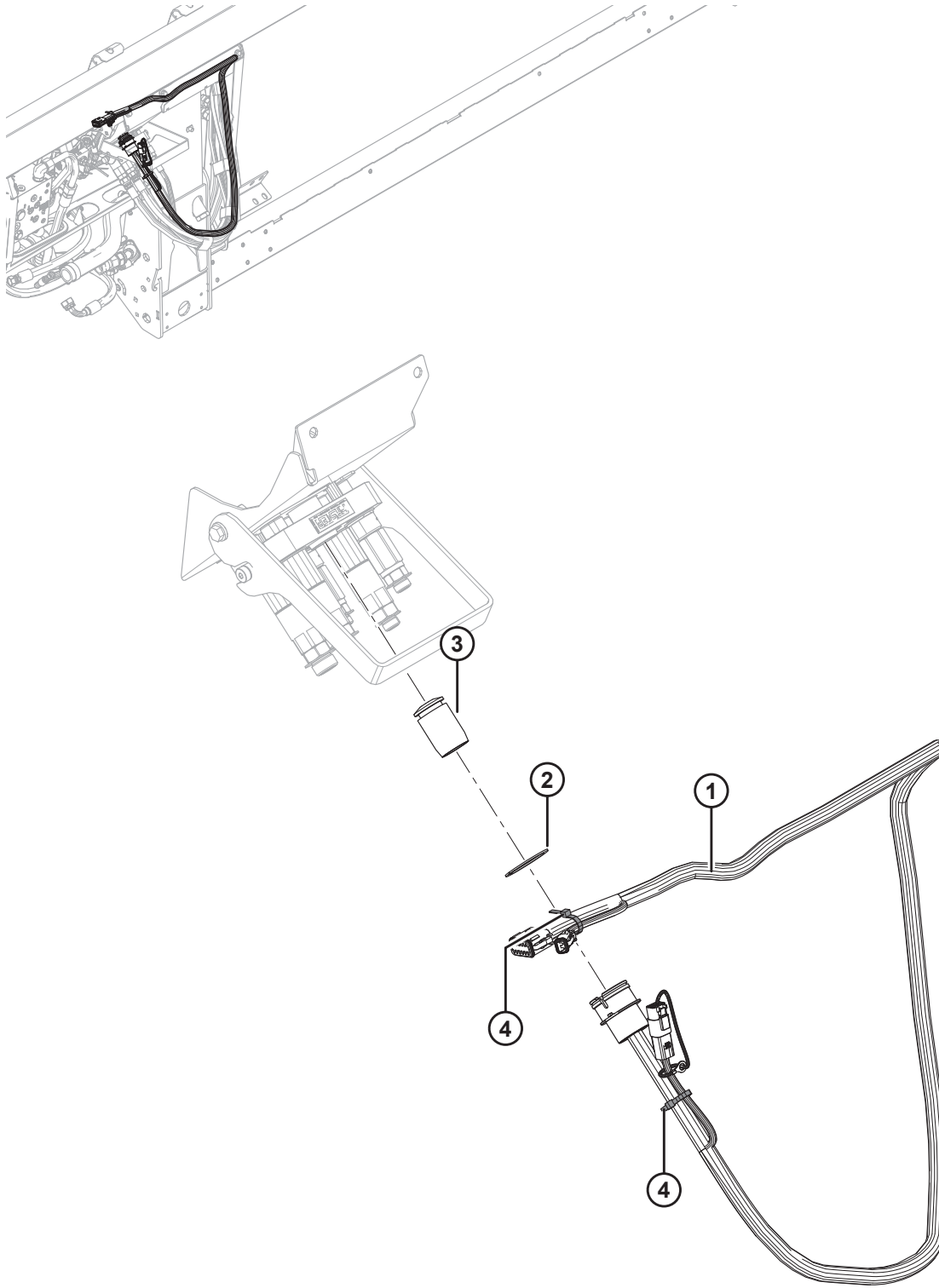
**JOHN DEERE 50 SERIES – ELECTRICAL COMPLETION**

**NOTE:**

For specific electrical harness parts, refer to Electrical Connector Parts Catalog (MD #169641).

<b>Ref</b>	<b>Part Number</b>	<b>Description</b>	<b>Qty</b>	<b>Serial Number</b>
1	337168	HARNESS – FM100, COMP, JD50	1	
	134948	DUST CAP – DEUTSCH, HDP20	1	
	134746	CONNECTOR – CAP, PLUG, 12 WAY	1	
2	21763	FASTENER – CABLE TIE, BLACK	1	
3	REF	HARNESS – FM100, MAIN	1	

# 142 John Deere 60/70 S/T Series – Electrical Completion





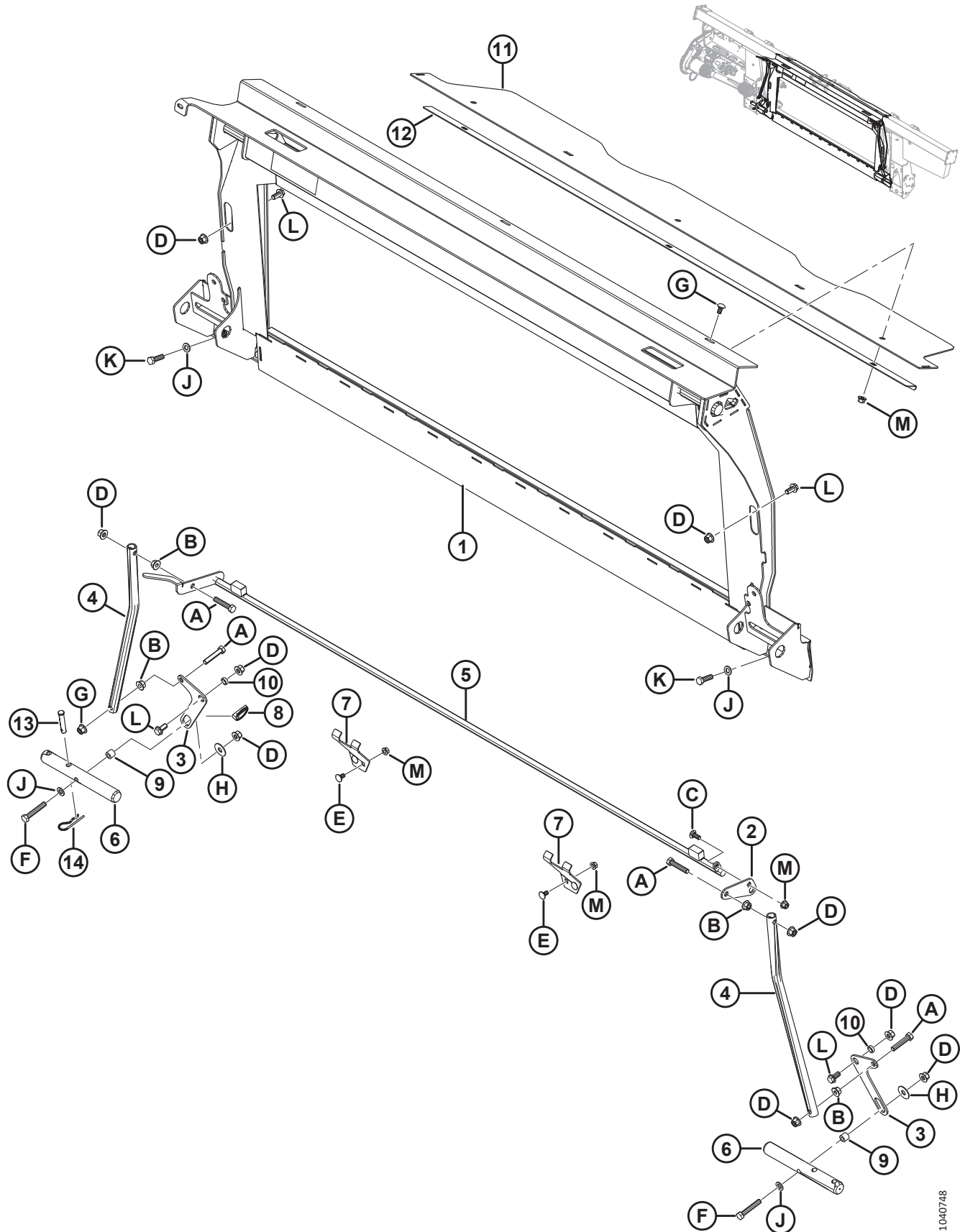
**JOHN DEERE 60/70 S/T SERIES – ELECTRICAL COMPLETION**

**NOTE:**

For specific electrical harness parts, refer to Electrical Connector Parts Catalog (MD #169641).

<b>Ref</b>	<b>Part Number</b>	<b>Description</b>	<b>Qty</b>	<b>Serial Number</b>
1	258107	HARNESS – FM100, COMPLETION, JOHN DEERE	1	
	134741	CAP – PLUG, DEUTSCH, DT, 2 POS.	1	
	134746	CONNECTOR – CAP, PLUG, 12-WAY	1	
2	135267	RING – INVERTED EXT RETAINING	1	
3	129148	PLUG – RUBBER	1	
4	21763	FASTENER – CABLE TIE (BLACK)	2	

# 143 Versatile – Float Module Completion



1040748

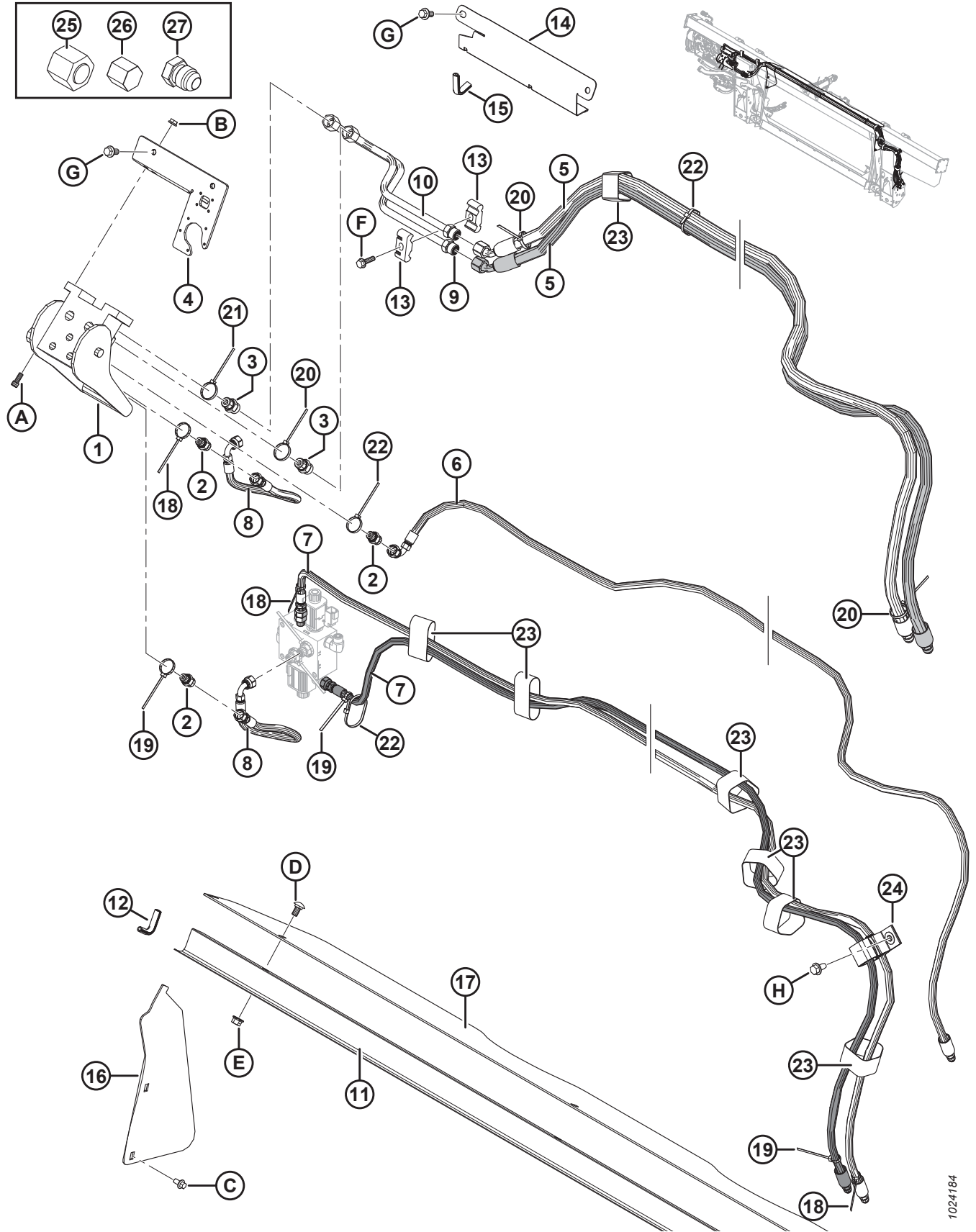
**VERSATILE – FLOAT MODULE COMPLETION**

Ref	Part Number	Description	Qty	Serial Number
	B6961	COMP PKG – VERSATILE <sup>475</sup>		
1	347077	FRAME – TRANSITION W/DECAL	1	
2	328582	LEVER	1	
3	<b>304669</b>	<b>LEVER – PIVOT</b>	<b>2</b>	
4	156783	TUBE – LINK	2	
5	<b>335849</b>	<b>LATCH WELDMENT</b>	<b>1</b>	
6	133138	SHAFT	2	
7	245246	SUPPORT – LOCK KEEPER	2	
8	113561	PIN – LYNCH <sup>476</sup>	<b>A/R</b>	
9	337043	BUSHING – M12 THREADED	2	
10	133439	SPACER – 0.75 O.D. X 0.120 IN. WALL	2	
11	328356	COVER – FEED AUGER TOP	1	
12	301629	RETAINER – DUST COVER	1	
13	<b>19809</b>	<b>PIN – CLEVIS</b>	<b>1</b>	
14	<b>13125</b>	<b>PIN – HAIR</b>	<b>1</b>	
A	237316	BOLT – HEX HD TFL M12 X 1.75 X 60-8.8-AA1J		
B	136036	NUT – HEX SM FLG M12 X 1.75-8-AA1J		
C	136506	BOLT – RHSSN M10 X 1.5 X 25-8.8-AA1J		
D	136431	NUT – HEX FLG CTR LOC M12 X 1.75-10-A3L		
E	136178	BOLT – RHSN M10 X 1.5 X 20-8.8-AA1J		
F	184675	BOLT – HEX HD M12 X 1.75 X 70-8.8-AA1J		
G	184657	BOLT – RHSSN M10 X 1.5 X 20-8.8-AA1J		
H	32247	WASHER – FLAT		
J	184714	WASHER – FLAT REG M12-300HV-A3L		
K	184669	BOLT – HEX HD M12 X 1.75 X 40-8.8-A3L		
L	136625	BOLT – HEX SER FLG HD M12 X 1.75 X 25 X SPCL-100-AA1J		
M	135799	NUT – HEX FLG CTR LOC M10 X 1.5-10		

475. Versatile Completion Package includes float module, hydraulic, and electrical completion packages required to complete a stand-alone FM100 or to convert to an existing factory-installed FM100. Kits available through Whole Goods only.

476. Service part only for superseded pivot lever (MD #347569).

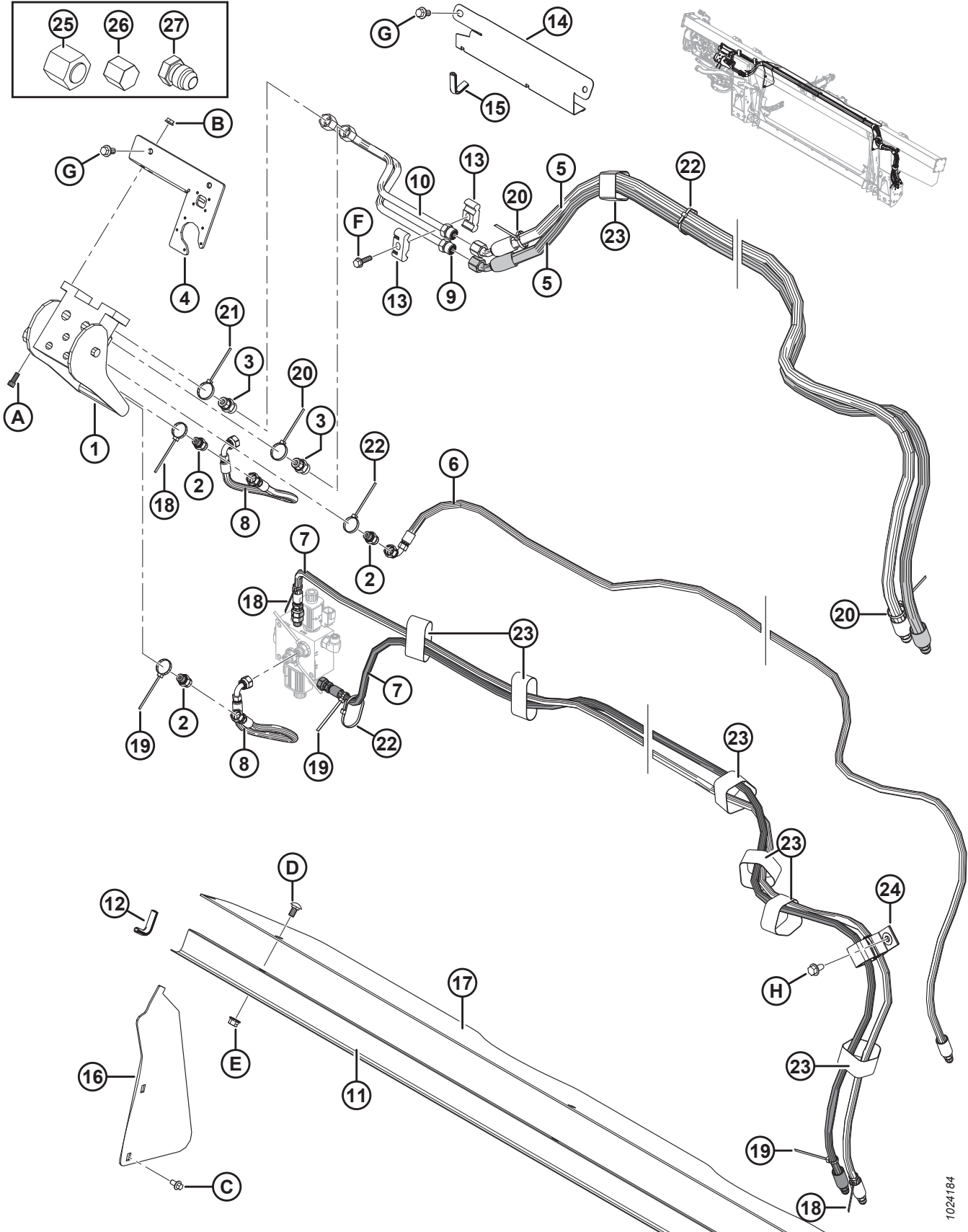
# 144 Versatile – Hydraulic Completion



**VERSATILE – HYDRAULIC COMPLETION**

<b>Ref</b>	<b>Part Number</b>	<b>Description</b>	<b>Qty</b>	<b>Serial Number</b>
1	153151	COUPLING – MULTI	1	
	129800	COVER – KIT		
	129801	LATCH – BUTTON KIT		
	129976	COUPLING – 1/4 IN.		
	129977	COUPLING – 3/8 IN.		
2	252694	FITTING – ADAPTER, .052 ORIFICE	3	
	50219	O-RING – #6 ORB		
	135865	O-RING – #6 ORFS		
3	135780	FITTING – ADAPTER	2	
	44209	O-RING – #8 ORB		
	135866	O-RING – #8 ORFS		
4	301693	KIT – CNH ELECTRICAL COVER	1	
5	213182	HOSE – HYD, REEL DRIVE	2	
6	213184	HOSE – HYD, REEL LIFT	1	
7	213350	HOSE – HYD, REEL FORE-AFT	2	
8	213354	HOSE – HYD, FORE-AFT	2	
9	213204	LINE – REEL DRIVE PRESS	1	
10	213205	LINE – REEL DRIVE RETURN	1	
11	156725	COVER – HOSE	1	
12	42589	MOULDING	2	
13	37167	CLAMP	2	
14	213965	COVER – HOSE (2016–PRIOR)	1	–301189
15	194082	MOULDING (2016–PRIOR)	1	–301189
16	276284	COVER – FEED AUGER, SIDE	2	
17	276285	COVER – FEED AUGER, TOP	1	
18	49227	FASTENER – CABLE TIE (GREEN)	3	
19	40702	FASTENER – CABLE TIE (RED)	3	
20	40701	FASTENER – CABLE TIE (YELLOW)	3	
21	49232	FASTENER – CABLE TIE (WHITE)	1	
22	21763	FASTENER – CABLE TIE (BLACK)	7	
23	135444	FASTENER – CINCH STRAP 6 IN. LG	7	
24	163598	STRAP – VELCRO, HANGING	1	
25	136325	CAP – HYD SAE-6 ORFS	1	
26	108233	CAP – 1/2 IN. TUBE (FOR SHIPPING ONLY)	2	
	30813	CAP – 3/8 IN. TUBE 37 DEG FLARE (FOR SHIPPING ONLY)	3	
27	50178	PLUG – 3/8 IN. TUBE (FOR SHIPPING ONLY)	4	
A	135397	BOLT – SOCKET HD (HEX) 5/16 NC X 3/4		
B	30280	NUT – FLG SIDE LK SMTH FACE 5/16 NC GR 5 ZP		
C	136485	BOLT – HEX FLG HD TFL M8 X 1.25 X 16-8.8-A3L		
D	184657	BOLT – RHSSN M10 X 1.5 X 20-8.8-A3L		
E	135799	NUT – HEX FLG CTR LOC M10 X 1.5-10-A3L		
F	252655	BOLT – HEX HD TFL M8 X 1.25 X 30-8.8-A3L		

VERSATILE – HYDRAULIC COMPLETION

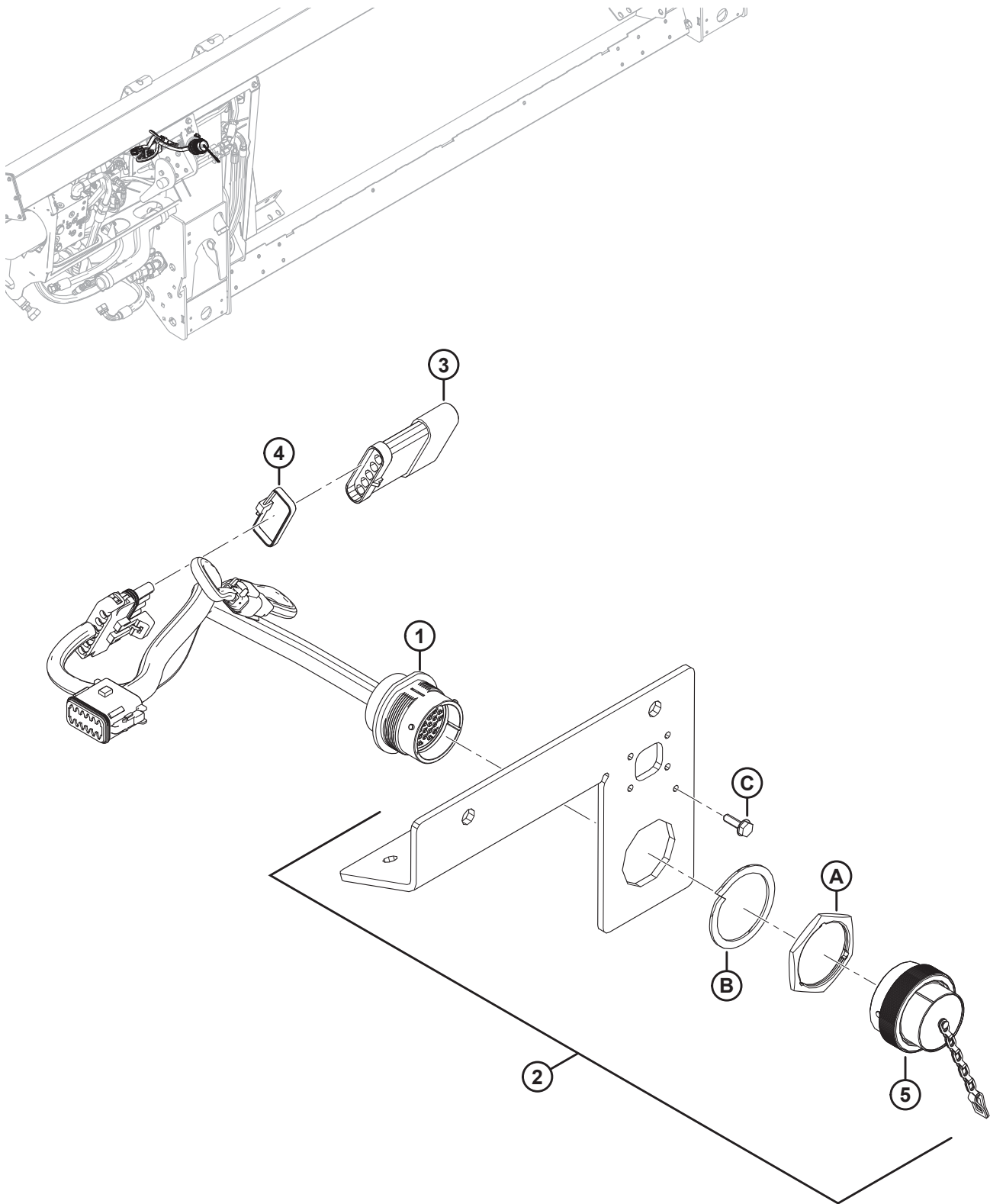


1024184

VERSATILE – HYDRAULIC COMPLETION

Ref	Part Number	Description	Qty	Serial Number
G	152655	BOLT – HEX FLG HD M10 X 1.5 X 20-8.8-A3L		
H	136209	SCREW – HEX WASHER HD M10 X 1.5 X 20-450HV-A3L		

# 145 Versatile – Electrical Completion





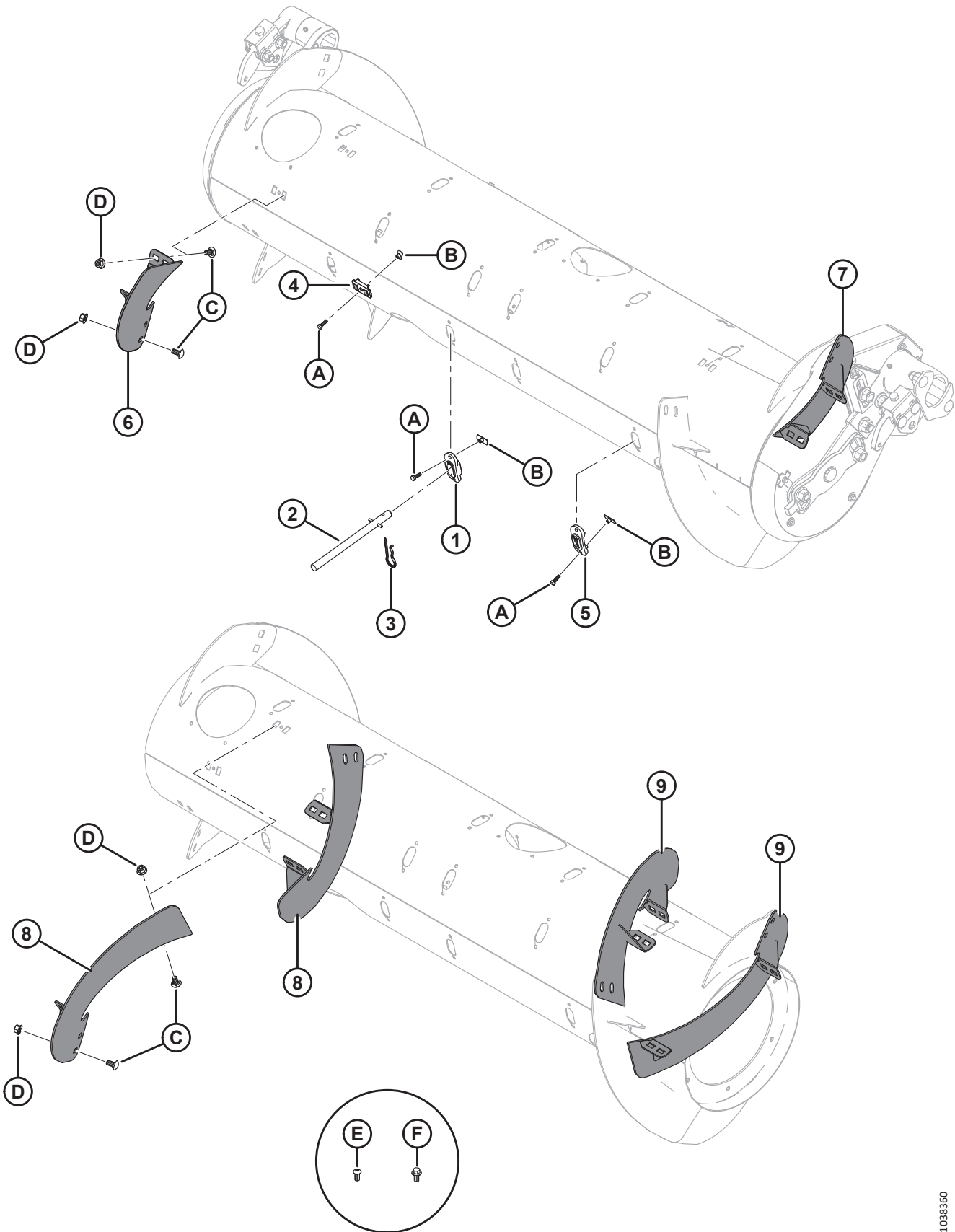
## VERSATILE – ELECTRICAL COMPLETION

**NOTE:**

For specific electrical harness parts, refer to Electrical Connector Parts Catalog (MD #169641).

Ref	Part Number	Description	Qty	Serial Number
1	213211	HARNESS – FM100, COMPLETION	1	
	134746	CONNECTOR – CAP, PLUG, 12-WAY	1	
2	301693	KIT – CNH ELECTRICAL COVER	1	
3	153933	RESISTOR – HEADER RECOGNITION	1	
4	30753	FASTENER – CABLE TIE (BLACK)	1	
5	134053	CAP – PLUG, HD30, SIZE 24	1	
A	134010	NUT – PANEL, HD30, SIZE 24		
B	134011	WASHER – LOCK SPRING, DEUTSCH HD, SIZE 24		
C	21947	SCREW – SELF TAPPING HEX WASH HD #10 X 5/8 ZP		

# 146 Auger Conversion Kits – Fingers and Flighting



**AUGER CONVERSION KITS – FINGERS AND FLIGHTING**

Ref	Part Number	Description	Qty	Serial Number
	B7343	KIT – FEED AUGER FINGERS, 4 PCS <sup>477</sup>		
	B7344	KIT – FLIGHTING, SHORT HI-WEAR <sup>478</sup>		
	B7345	KIT – FLIGHTING, LONG HI-WEAR <sup>479</sup>		
	357233	KIT – FLIGHTING, SHORT HI-WEAR <sup>480</sup>		
	357234	KIT – FLIGHTING, LONG HI-WEAR <sup>481</sup>		
1	337143	GUIDE	4	
2	337152	KIT – FINGER <sup>482</sup>	4	
3	123180	PIN – HAIR	4	
4	213084	PLUG – FLIGHTING SLOT	4	
5	187137	PLUG <sup>483</sup>		
6	287887	FLIGHTING, RTD – RH, MED (HI WEAR)	1	
7	287888	FLIGHTING, RTD – LH, MED (HI WEAR)	1	
8	287890	FLIGHTING, RTD – RH, LONG (HI WEAR)	2	
9	287889	FLIGHTING, RTD – LH, LONG (HI WEAR)	2	
A	252703	BOLT – HEX HD TFL M6 X 1 X 20 X SPCL-12.9-AA2L		
B	197263	NUT – TEE M6 X 1		
C	136178	BOLT – RHSN M10 X 1.5 X 20-8.8-AA1J		
D	135799	NUT – HEX FLG CTR LOC M10 X 1.5-10-A3L		
E	135723	SCREW – HEX SOC BTN HD M10 X 1.5 X 20-10.9-AA1J <sup>484</sup>		
F	152655	BOLT – HEX FLG HD M10 X 1.5 X 20-8.8-AA1J <sup>485</sup>		

477. Includes four solid fingers (MD #337152), guides (MD #337143), hair pins (MD #123180), flighting slots plugs (MD #213084), and hardware. Kits are available through Whole Goods only.

478. Includes one pair of short flighting (MD #287887 and MD #287888), four flighting slots plugs (MD #213084), four plugs (MD #187137), and hardware. Kits are available through Whole Goods only.

479. Includes two pairs of long flighting (MD #287889 and MD #287890), twelve plugs (MD #187137), and hardware. Kits are available through Whole Goods only.

480. Includes one pair of short flighting (MD #287887 and MD #287888), four flighting slots plugs (MD #213084), four plugs (MD #187137), hardware, and instructions.

481. Includes two pairs of long flighting (MD #287889 and MD #287890), twelve plugs (MD #187137), hardware, and instructions.

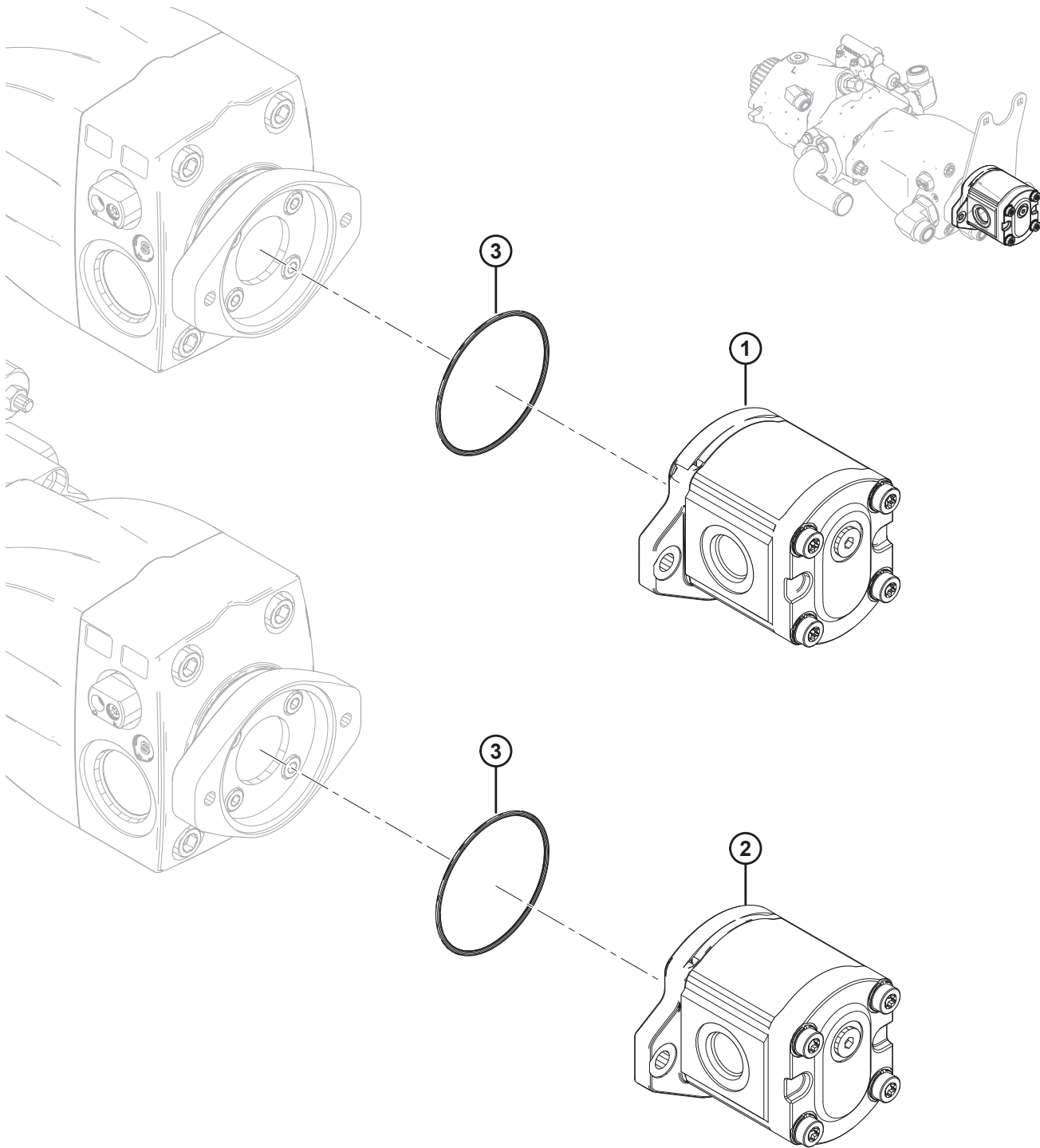
482. Includes solid finger (not sold separately), spring pin (MD #7642), guide (MD #337143), and instructions.

483. Quantities: B7344 = 4; B7345 = 12

484. For Ultra Narrow Configuration only; used on the new holes drilled in the flighting.

485. For Ultra Narrow Configuration only; used on the new holes drilled in the feed auger.

# 147 Gear Pump Conversion Kits



**GEAR PUMP CONVERSION KITS**

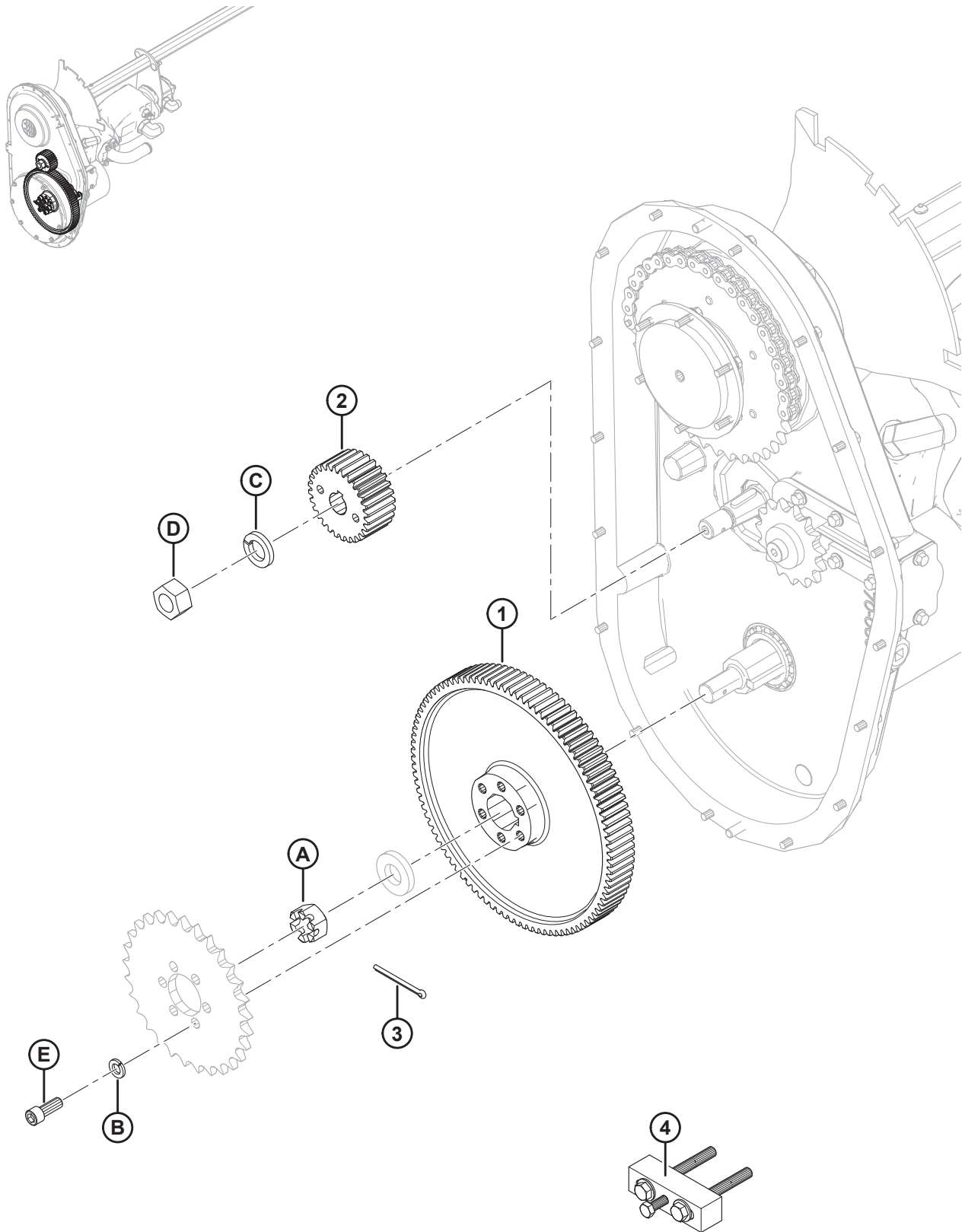
<b>Ref</b>	<b>Part Number</b>	<b>Description</b>	<b>Qty</b>	<b>Serial Number</b>
	B6193	KIT – PUMP CONVERSION (CNH/CLAAS) <sup>486</sup>		
	B6194	KIT – PUMP CONVERSION (JD/AGCO/GLEANER) <sup>487</sup>		
1	187252	PUMP – GEAR, 16 CC, CASAPPA (CNH/CLAAS)	1	
	187918	SEAL KIT – GEAR PUMP		
2	295998	PUMP – GEAR, 19 CC, CASAPPA (JD/AGCO/GLEANER)	1	
	187918	SEAL KIT – GEAR PUMP		
3	136024	O-RING	1	

---

486. Includes gear pump (MD #187252) and O-ring (MD #136024). Kits available through Whole Goods only.

487. Includes gear pump (MD #295998) and O-ring (MD #136024). Kits available through Whole Goods only.

# 148 Gear Set Conversion Kits



**GEAR SET CONVERSION KITS**

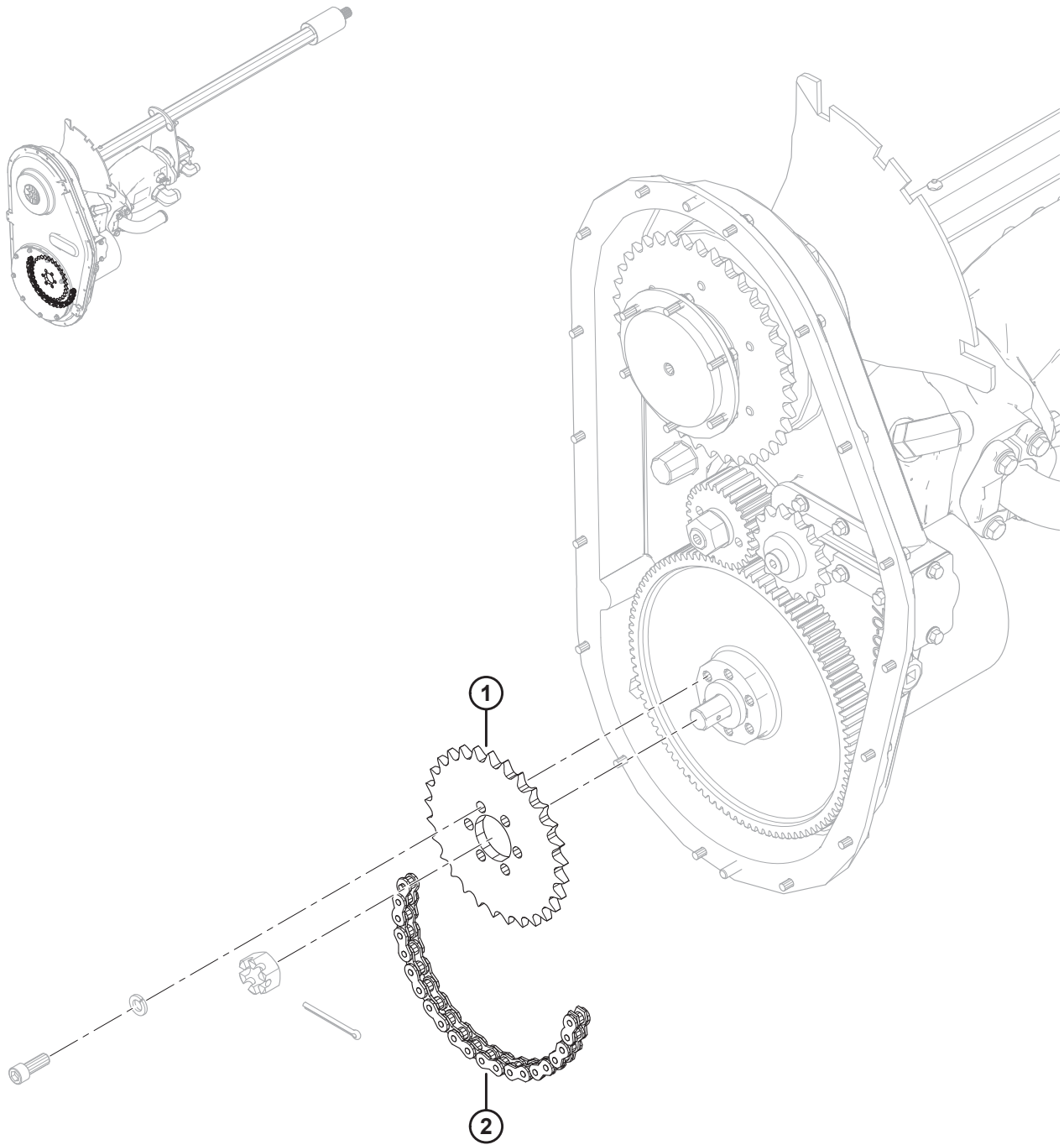
<b>Ref</b>	<b>Part Number</b>	<b>Description</b>	<b>Qty</b>	<b>Serial Number</b>
	B6191	KIT – GEARSET 89/36 (CLAAS/AGCO/GLEANER) <sup>488</sup>		
	B6192	KIT – GEARSET 97/28 (CNH/JD) <sup>489</sup>		
1	276353	GEAR – 89 TEETH	1	
	187480	GEAR – 97 TEETH	1	
2	276352	GEAR – PINION 36 TEETH 2.5 MODULE	1	
	276859	GEAR – PINION 28 TEETH 2.5 MODULE	1	
3	135358	PIN – COTTER, 5/32 DIA X 2.0 ZP	1	
4	304800	TOOL ASSEMBLY – GEAR PULLER <sup>490</sup>	1	
A	5512	NUT – HEX SLOTTED .750-16 UNF ZN PL		
B	18637	WASHER – REG. LOCK 3/8 IN. NOM. I.D. ZP		
C	18640	WASHER – REG. LOCK 3/4 IN. NOM. I.D. ZP		
D	18720	NUT – HEX 3/4-16 UNF GR 5 ZN PL		
E	135381	SCREW – HEX SOC HD		

488. Includes 89-tooth gear (MD #276353), 36-tooth pinion gear (MD #276352), cotter pin (MD #135358), gear puller tool (MD #304800), and hardware. Kits available through Whole Goods only.

489. Includes 97-tooth gear (MD #187480), 28-tooth pinion gear (MD #276859), cotter pin (MD #135358), gear puller tool (MD #304800), and hardware. Kits available through Whole Goods only.

490. Includes two washers (MD #18598), two bolts (MD #30035), bolt (MD #50072), and instructions.

# 149 Sprocket and Chain Conversion Kit





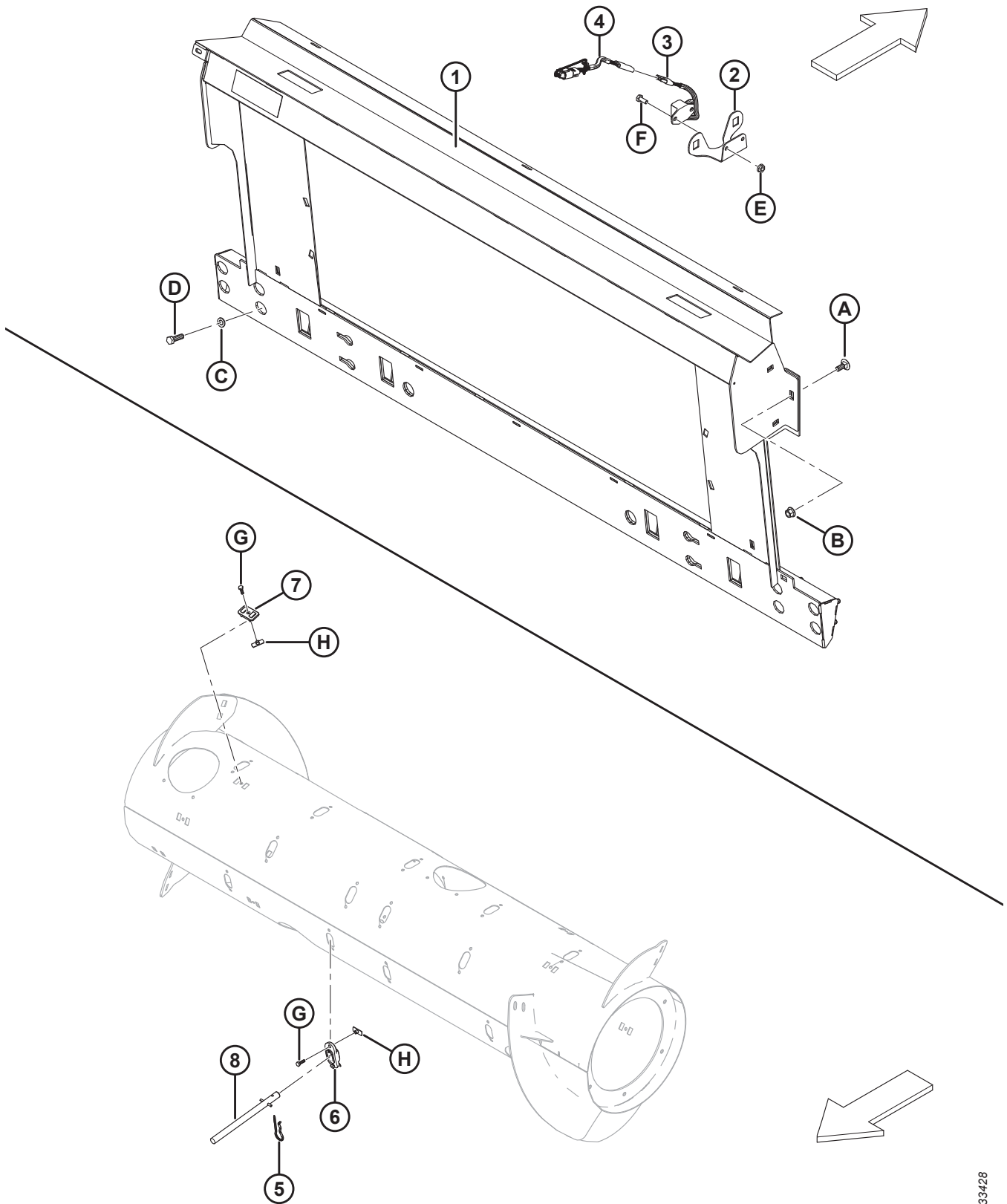
**SPROCKET AND CHAIN CONVERSION KIT**

<b>Ref</b>	<b>Part Number</b>	<b>Description</b>	<b>Qty</b>	<b>Serial Number</b>
	B6195	KIT – SPROCKET/CHAIN (CNH/AGCO/GLEANER) <sup>491</sup>		
1	231389	SPROCKET – 50A29	1	
2	231534	ROLLER CHAIN – RC 50 (78 PITCHES ENDLESS)	1	

---

491. Sprocket/Chain kit is used to convert float modules configured for John Deere/CLAAS Lexion combines to CNH/AGCO combines. Kits available through Whole Goods only.

# 150 AGCO Challenger® / Massey Ferguson® Conversion Kit



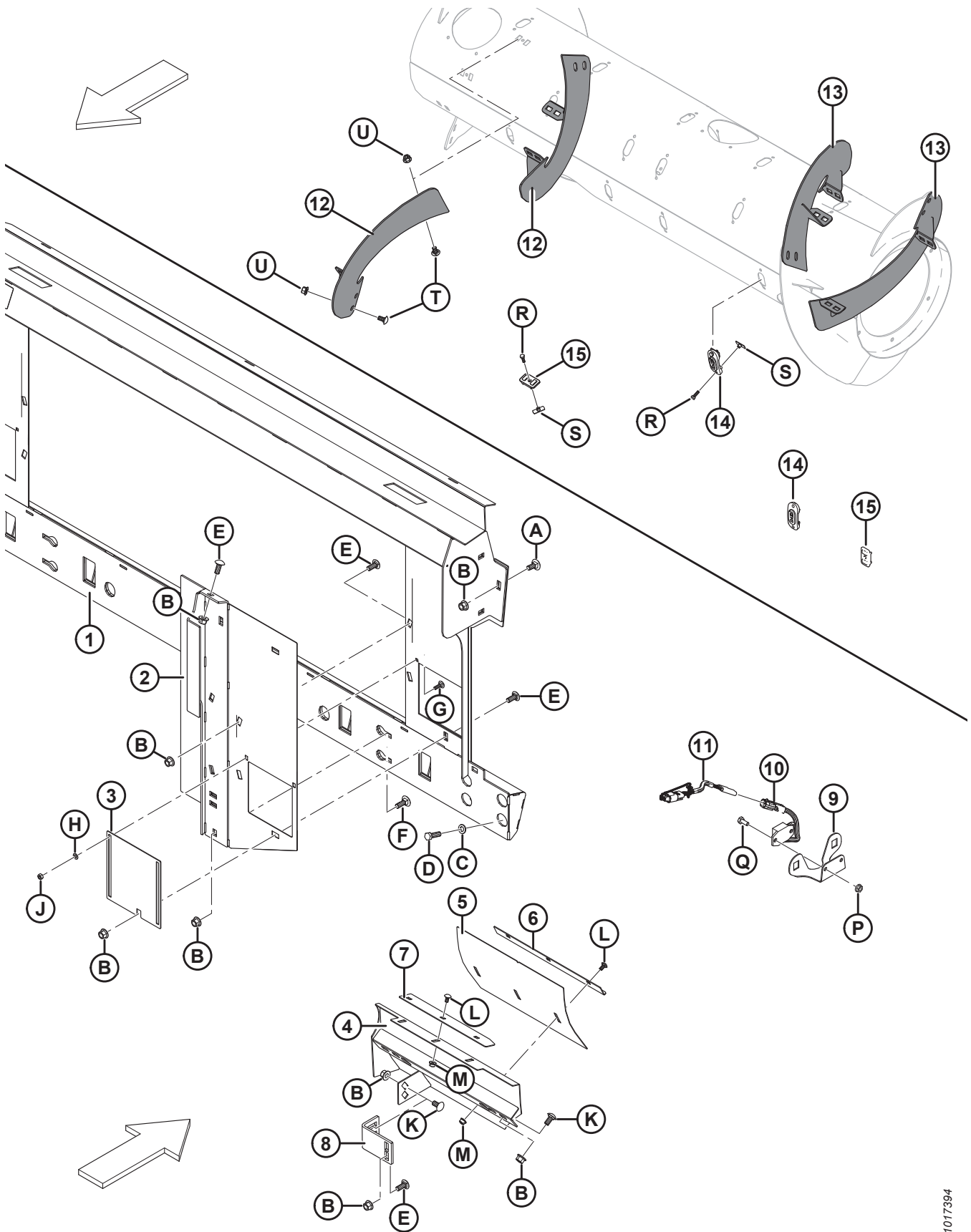
**AGCO CHALLENGER® / MASSEY FERGUSON® CONVERSION KIT**

Ref	Part Number	Description	Qty	Serial Number
	B6881	KIT – MASSEY/CHALLENGER CONVERSION <sup>492</sup>	1	
1	133672	FRAME – AGCO TRANSITION LATERAL TILT C/W DECAL	1	
2	279746	SUPPORT – REEL SPEED SENSOR	1	
3	152736	SENSOR – SPEED, 3-WIRE (CHALLENGER/MASSEY)	1	
4	220572	HARNESS – WIRING REEL SPEED SENSOR	1	
5	123180	PIN – HAIR	8	
6	337143	GUIDE	8	
7	213084	PLUG – FLIGHTING SLOT	8	
8	337152	KIT – FINGER <sup>493</sup>	8	
	7642	PIN – SPRING 3/16 DIA X 1.5 LG		
A	184667	BOLT – RHSN M12 X 1.75 X 30-8.8-A3L		
B	136431	NUT – HEX FLG CTR LOC M12 X 1.75-10-A3L		
C	184714	WASHER – FLAT REG M12-300HV-A3L		
D	152730	BOLT – HEX HD TFL M12 X 1.75 X 35-10.9-AA1J		
E	21455	NUT – FLG (SER FACE) 1/4 NC GR 5 ZP		
F	21572	BOLT – HEX HD 1/4 NC X 0.625 LG GR 5 ZP		
G	252703	BOLT – HEX HD TFL M6 X 1 X 20 X SPCL-12.9-AA2L		
H	197263	NUT – TEE M6 X 1		

492. Kits available through Whole Goods only.

493. Includes solid finger (not sold separately), spring pin (MD #7642), guide (MD #337143), and instructions.

# 151 AGCO Gleaner® Conversion Kit

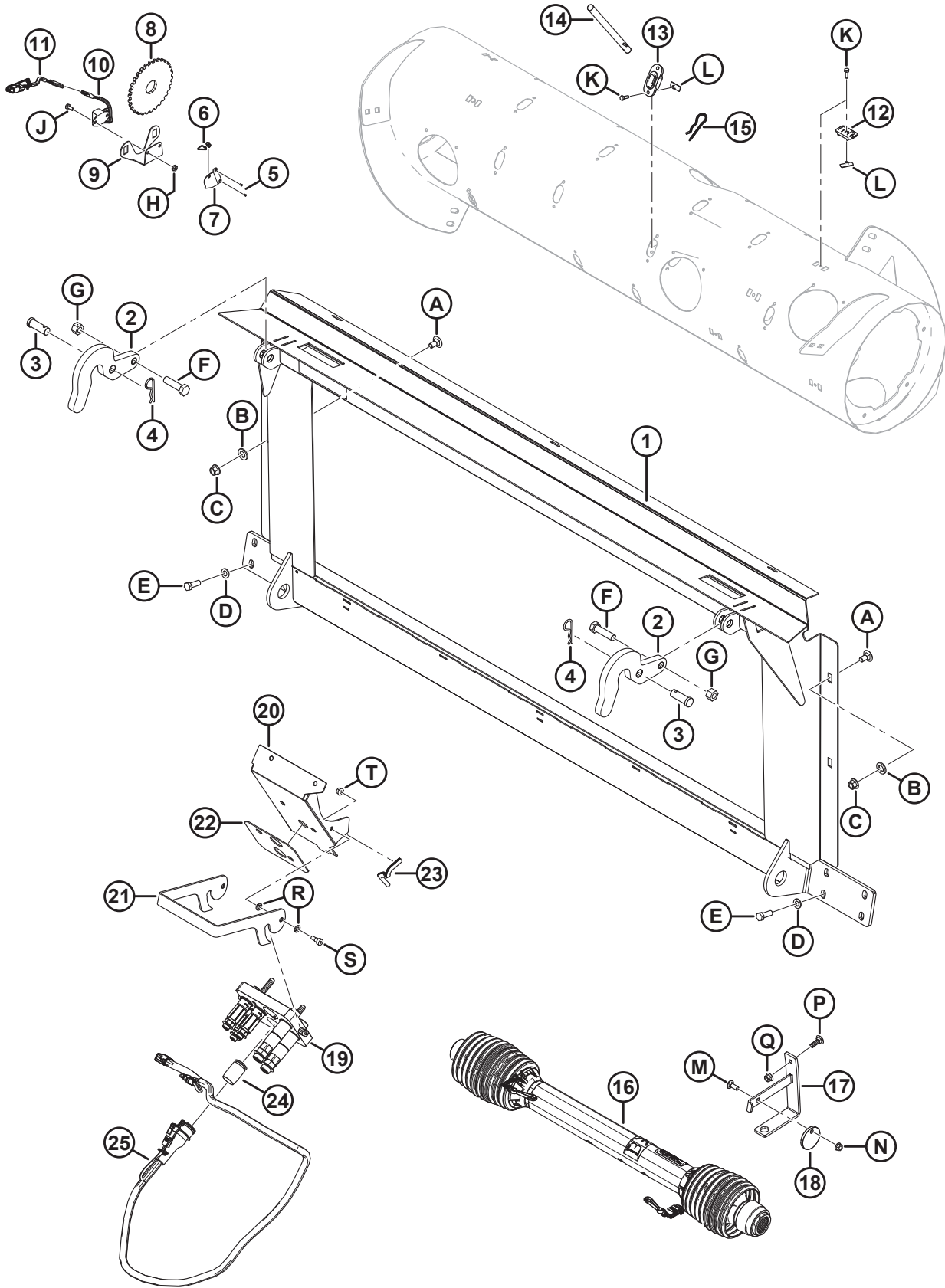


**AGCO GLEANER® CONVERSION KIT**

Ref	Part Number	Description	Qty	Serial Number
	B6958	KIT – GLEANER TRANSITION FRAME CONVERSION <sup>494</sup>		
1	245852	FRAME – GLEANER R/S C/W DECAL	1	
2	245815	FILLER – LH WELDMENT	1	
	245816	FILLER – RH WELDMENT	1	
3	245763	DOOR – ACCESS	2	
4	213833	DEFLECTOR – WELDT LH GLEANER	1	
	213834	DEFLECTOR – WELDT RH GLEANER	1	
5	213843	DEFLECTOR – ADJUSTING PANEL	2	
6	213844	ANGLE – STRIPPER	2	
7	213845	STRIPPER	2	
8	276289	FILLER BRACKET	2	
9	279746	SUPPORT – REEL SPEED SENSOR	1	
10	184440	SENSOR – SPEED, 2-WIRE (GLEANER)	1	
11	220572	HARNESS – WIRING REEL SPEED SENSOR	1	
12	287890	FLIGHTING, RTD – RH, LONG (HIWEAR)	2	
13	287889	FLIGHTING, RTD – LH, LONG (HIWEAR)	2	
14	187137	PLUG	12	
15	213084	PLUG – FLIGHTING SLOT	4	
A	184667	BOLT – RHSN M12 X 1.75 X 30-8.8-A3L		
B	50186	NUT – FLG LK SM FACE DT 1/2-13 UNC-GR5-AA1J		
C	184714	WASHER – FLAT REG M12-300HV-A3L		
D	152730	BOLT – HEX HD TFL M12 X 1.75 X 35-10.9-AA1J		
E	21868	BOLT – RHSSN 1/2-13 X 1.0 GR5 AA1J		
F	21471	BOLT – RHSN 1/2-13 X 1.25 GR5 AA1J		
G	21282	BOLT – RHSN 5/16-18 X 1-GR5-AA1J		
H	184572	WASHER – USS FLAT 1/4 IN. NOM		
J	18589	NUT – HEX 5/16-18 UNC GR 5 ZP		
K	152439	BOLT – RHSSN M12 X 1.75 X 25-8.8-A3L		
L	191489	BOLT – RHSSN TFL M8 X 1.25 X 16-8.8-A2L		
M	135337	NUT – HEX FLG CTR LOC M8 X 1.25-8-A2L		
P	21455	NUT – FLG (SER FACE) 1/4 NC GR 5 ZP		
Q	21572	BOLT – HEX HD 1/4 NC X 0.625 LG GR 5 ZP		
R	252703	BOLT – HEX HD TFL M6 X 1 X 20 X SPCL-12.9-AA2L		
S	197263	NUT – TEE M6 X 1		
T	184657	BOLT – RHSSN M10 X 1.5 X 20-8.8-A3L		
U	135799	NUT – HEX FLG CTR LOC M10 X 1.5-10-A3L		

494. Kits available through Whole Goods only.

# 152 AGCO IDEAL™ Conversion Kit



**AGCO IDEAL™ CONVERSION KIT**

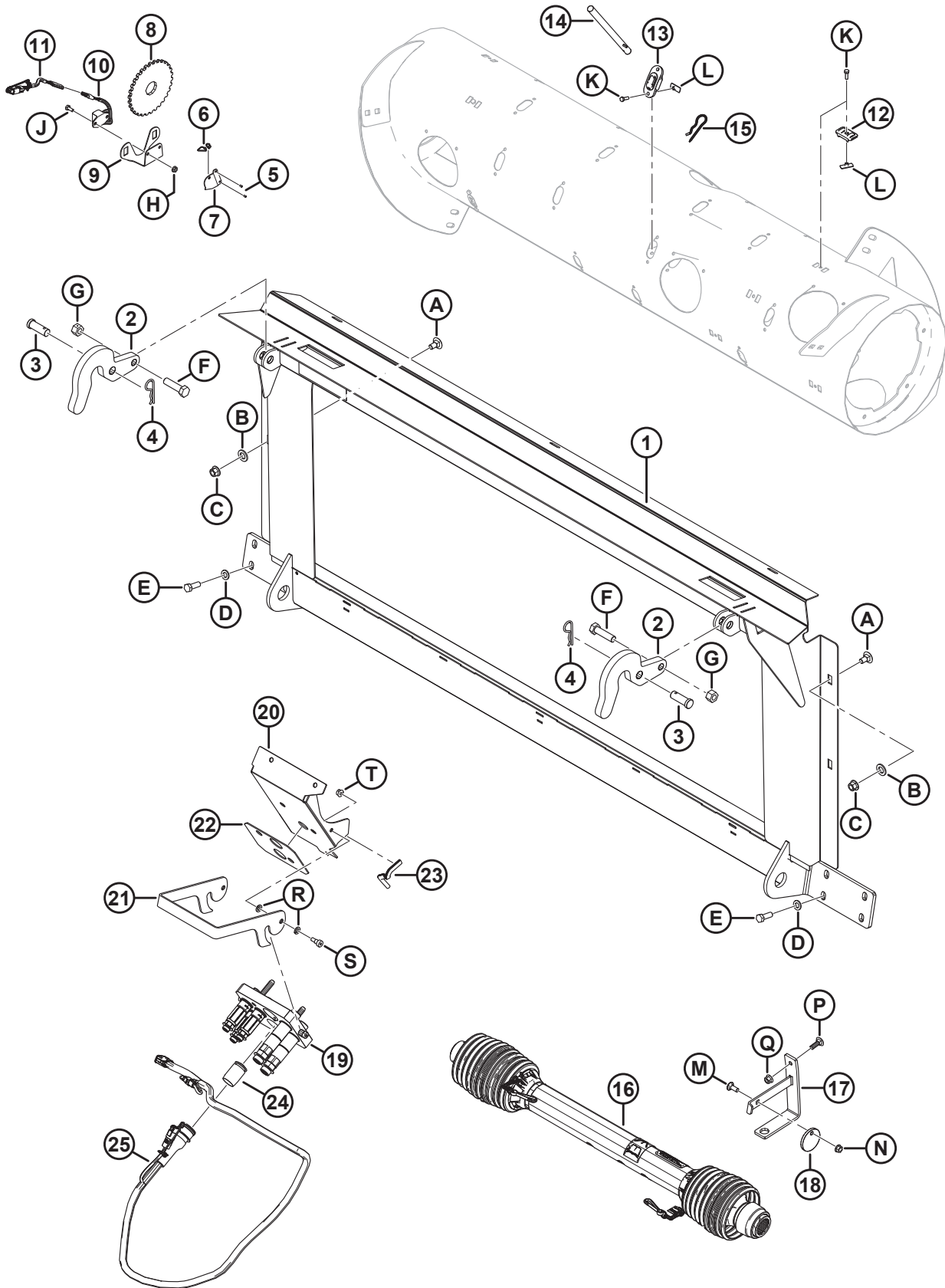
Ref	Part Number	Description	Qty	Serial Number
	B6882	KIT – AGCO IDEAL 7/8/9 CONVERSION <sup>495</sup>		
1	314678	FRAME – IDEAL TRANSITION W/ DECAL	1	
2	301451	SUPPORT – HOOK	2	
3	158080	PIN – CLEVIS	2	
4	13125	PIN – HAIR	2	
5	14338	RIVET – BLIND 1/8 X .125	2	
6	16661	FASTENER – CABLE TIE, BLACK	2	
7	164131	SHIELD – REEL SPEED SENSOR HARNESS	1	
8	133997	DISC – REEL SPEED SENSOR	1	
9	279746	SUPPORT – REEL SPEED SENSOR	1	
10	152736	SENSOR – SPEED, AGCO (3-WIRE)	1	
11	220572	HARNESS – WIRING AGCO REEL SPEED SENSOR	1	
12	213084	PLUG – FLIGHTING SLOT	8	
13	337143	GUIDE	8	
14	337152	KIT – FINGER <sup>496</sup>	8	
	7642	PIN – SPRING 3/16 DIA X 1.5 LG		
15	123180	PIN – HAIR	8	
16	314306	DRIVELINE – 1 3/4-20 SPL IDEAL <sup>497</sup>	1	
17	133166	BRACKET – DRIVELINE HANGER-WELDT	1	
18	133165	DISC – LOCK, DRIVELINE	1	
19	335008	COUPLING – MULTI, AGCO 5-POS	1	
	294394	KIT – COUPLER PLATE ASSY, AGCO		
	279011	KIT – COUPLER, 3/8 C/W 3/8 IN. FITTING		
	279012	KIT – COUPLER, 9/16 C/W 5/8 IN. FITTING		
	279034	SEAL – 3/8 COUPLER		
	279035	SEAL – 9/16 COUPLER		
	184461	FITTING – ADAPTER HYD	2	
	44210	O-RING – #10 ORB		
	135867	O-RING – #10 ORFS		
20	335059	BRACKET – AGCO IDEAL COUPLER	1	
21	337980	LATCH – MULTICOUPLER	1	
22	302030	PAD – RUBBER	1	
23	42074	MOULDING	1	
24	129148	PLUG – RUBBER	1	
25	311707	HARNESS – FM100 COMPLETION, IDEAL	1	
A	135903	BOLT – RHSN M12 X 1.75 X 25-8.8-AA1J		
B	184717	WASHER – FLAT REG M16-200HV-AA1J		
C	136431	NUT – HEX FLG CTR LOC M12 X 1.75-10		
D	184714	WASHER – FLAT REG M12-300HV		

495. Kits available through Whole Goods only.

496. Includes solid finger (not sold separately), spring pin (MD #7642), guide (MD #337143), and instructions.

497. For service parts, refer to Section [106 Input Driveline and Support, page 309](#).

AGCO IDEAL™ CONVERSION KIT



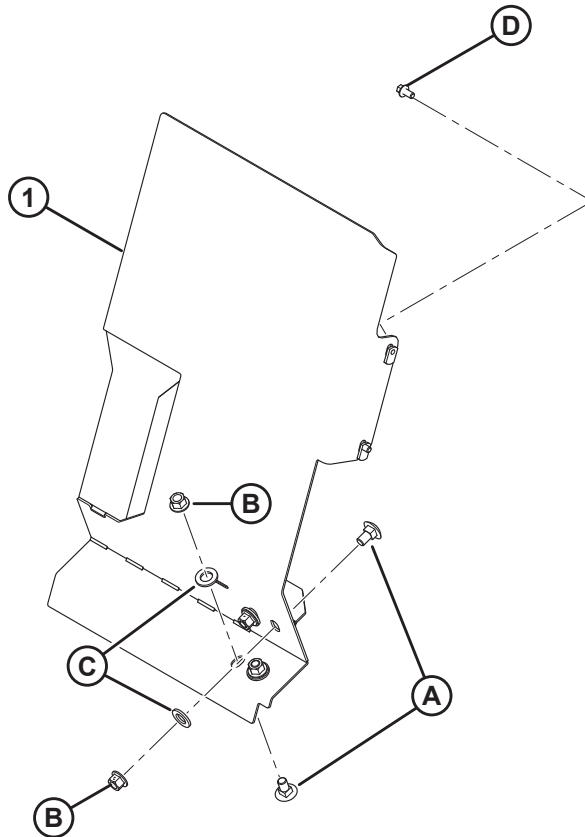
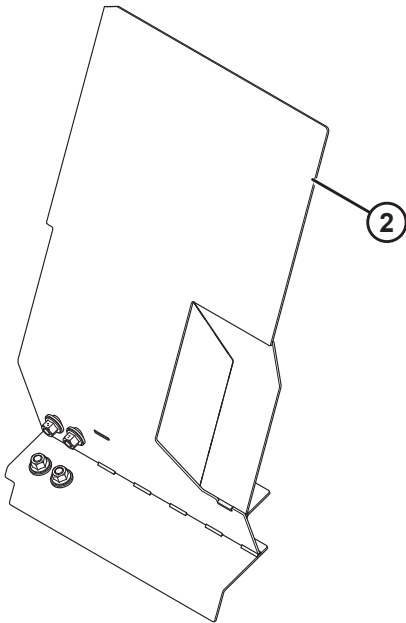
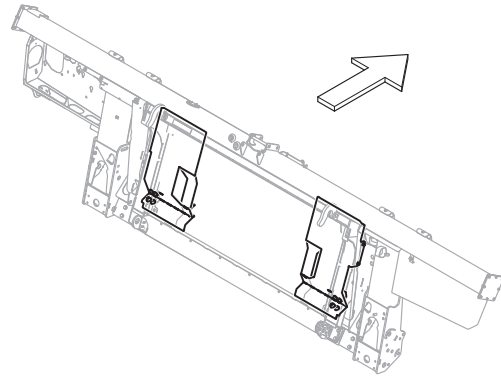
1037056



**AGCO IDEAL™ CONVERSION KIT**

<b>Ref</b>	<b>Part Number</b>	<b>Description</b>	<b>Qty</b>	<b>Serial Number</b>
E	152730	BOLT – HEX HD TFL M12 X 1.75 X 35-10.9-AA1J		
F	136141	BOLT – HEX HD M16 X 2 X 60-8.8-AA1J		
G	136476	NUT – HEX CTR LOC M16 X 2-8		
H	21455	NUT – FLG (SER FACE) 1/4 NC-GR5-AA1J		
J	21572	BOLT – HEX HD 1/4-20 X 0.625 GR5-AA1J		
K	252703	BOLT – HEX HD TFL M6 X 1 X 20 X SPCL-12.9-AA2L		
L	197263	NUT – TEE M6 X 1		
M	19965	BOLT – RHSN 3/8-16 X 1-GR5-AA1J		
N	30228	NUT – FLG DT SM FACE 3/8-16 UNC-GR5-AA1J		
P	184662	BOLT – RHSN TFL M10 X 1.5 X 30-8.8-AA1J		
Q	135799	NUT – HEX FLG CTR LOC M10 X 1.5-10		
R	30632	WASHER – LOCK SPRING M10		
S	135894	SCREW – HEX SOC HD SHLDR M10		
T	135337	NUT – HEX FLG CTR LK M8 X 1.25-8-AA1J		

# 153 AGCO IDEAL™ Filler Kit



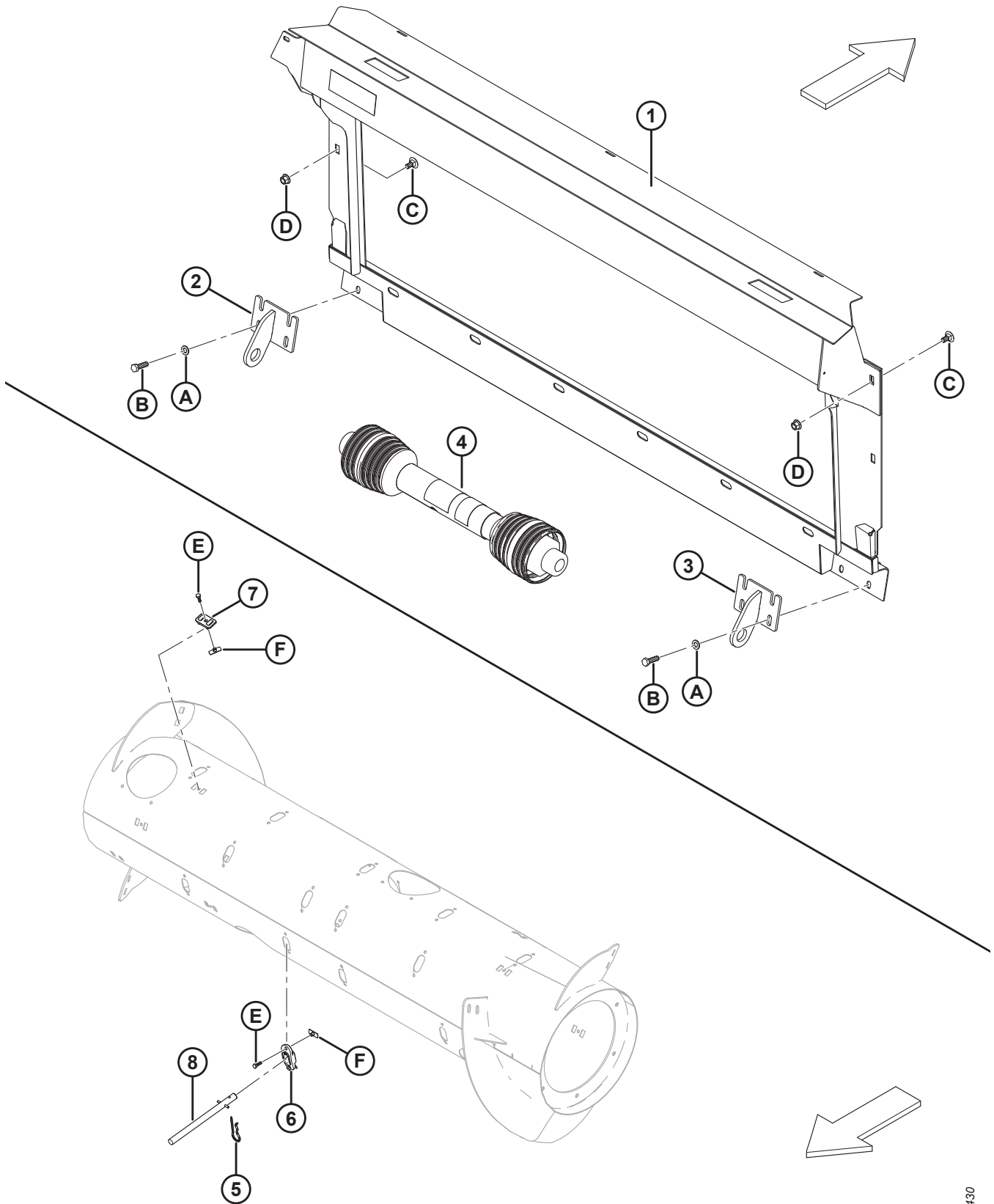
**AGCO IDEAL™ FILLER KIT**

<b>Ref</b>	<b>Part Number</b>	<b>Description</b>	<b>Qty</b>	<b>Serial Number</b>
	<b>347173</b>	<b>KIT – FILLERS FOR IDEAL <sup>498</sup></b>		
<b>1</b>	<b>347167</b>	<b>FILLER – RH WELDMENT</b>	<b>1</b>	
<b>2</b>	<b>347154</b>	<b>FILLER – LH WELDMENT</b>	<b>1</b>	
<b>A</b>	<b>135903</b>	<b>BOLT – RHSN M12 X 1.75 X 25-8.8-A3L</b>		
<b>B</b>	<b>136431</b>	<b>NUT – HEX FLG CTR LOC M12 X 1.75-10-A3L</b>		
<b>C</b>	<b>184717</b>	<b>WASHER – FLAT REG M16-200HV-AA1J</b>		
<b>D</b>	<b>136485</b>	<b>BOLT – HEX FLG HD TFL M8X1.25X16-8.8-AA1J</b>		

---

498. Kits are available through Whole Goods only.

# 154 John Deere Conversion Kits



**JOHN DEERE CONVERSION KITS**

Ref	Part Number	Description	Qty	Serial Number
	B6887	KIT – JD LEVEL LAND CONVERSION <sup>499</sup>		
1	294514	FRAME – JD WELDT LEVEL LAND	1	
2	151941	BRACKET – LEFT WELDT	1	
3	151942	BRACKET – RIGHT WELDT	1	
4	187550	21T DRIVELINE – JD WIDEBODY WALKER MACHINES-9650/9660, 9660 WTS, AND T9670 <sup>500</sup>	1	
5	123180	PIN – HAIR	8	
6	337143	GUIDE	8	
7	213084	PLUG – FLIGHTING SLOT	8	
8	337152	KIT – FINGER <sup>501</sup>	8	
	7642	PIN – SPRING 3/16 DIA X 1.5 LG		
	B6957	KIT – JD CONTOUR MASTER CONVERSION <sup>499</sup>		
1	347301	ASSEMBLY – JD CM TRANS FRAME W/DECAL	1	
2	<b>347179</b>	<b>ANCHOR – WELDT, LH</b>	<b>1</b>	
3	<b>347180</b>	<b>ANCHOR – WELDT, RH</b>	<b>1</b>	
4	187553	21T DRIVELINE – JD STS/S SERIES (EXCEPT MODELS LISTED AT MD #187550), CLAAS, AND AGCO <sup>500</sup>	1	
A	184714	WASHER – FLAT REG M12-300HV-A3L		
B	184669	BOLT – HEX HD M12 X 1.75 X 40-8.8-A3L		
C	136625	BOLT – HEX SER FLG HD M12 X 1.75 X 25 X SPCL-100-AA1J		
D	136431	NUT – HEX FLG CTR LOC M12 X 1.75-10-A3L		
E	252703	BOLT – HEX HD TFL M6 X 1 X 20 X SPCL-12.9-AA2L <sup>502</sup>		
F	197263	NUT – TEE M6 X 1 <sup>502</sup>		

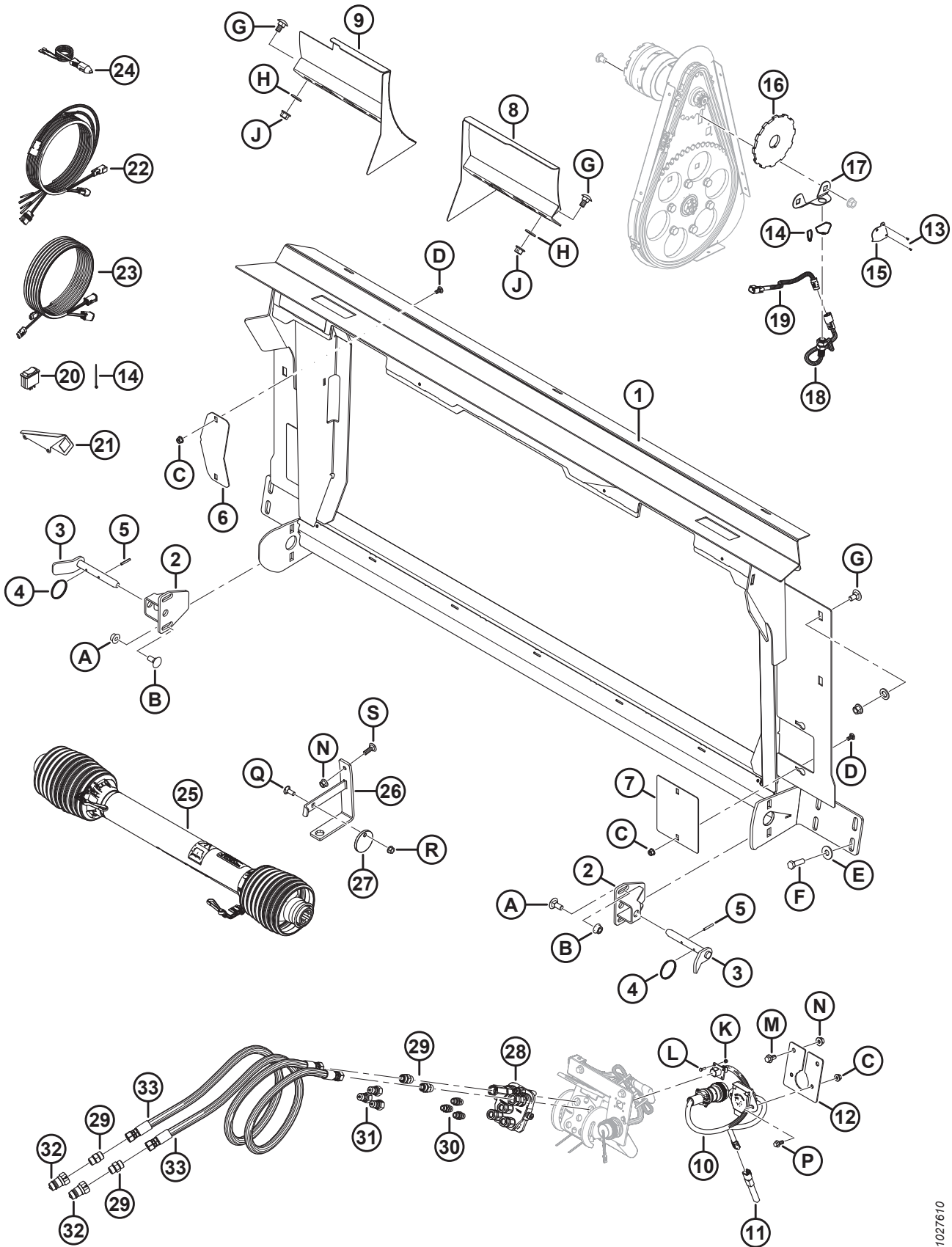
499. Kits available through Whole Goods only.

500. For service parts, refer to Section *106 Input Driveline and Support, page 309*.

501. Includes solid finger (not sold separately), spring pin (MD #7642), guide (MD #337143), and instructions.

502. Used in conversion kit B6887 only.

# 155 Rostselmash Conversion Kit



1027610

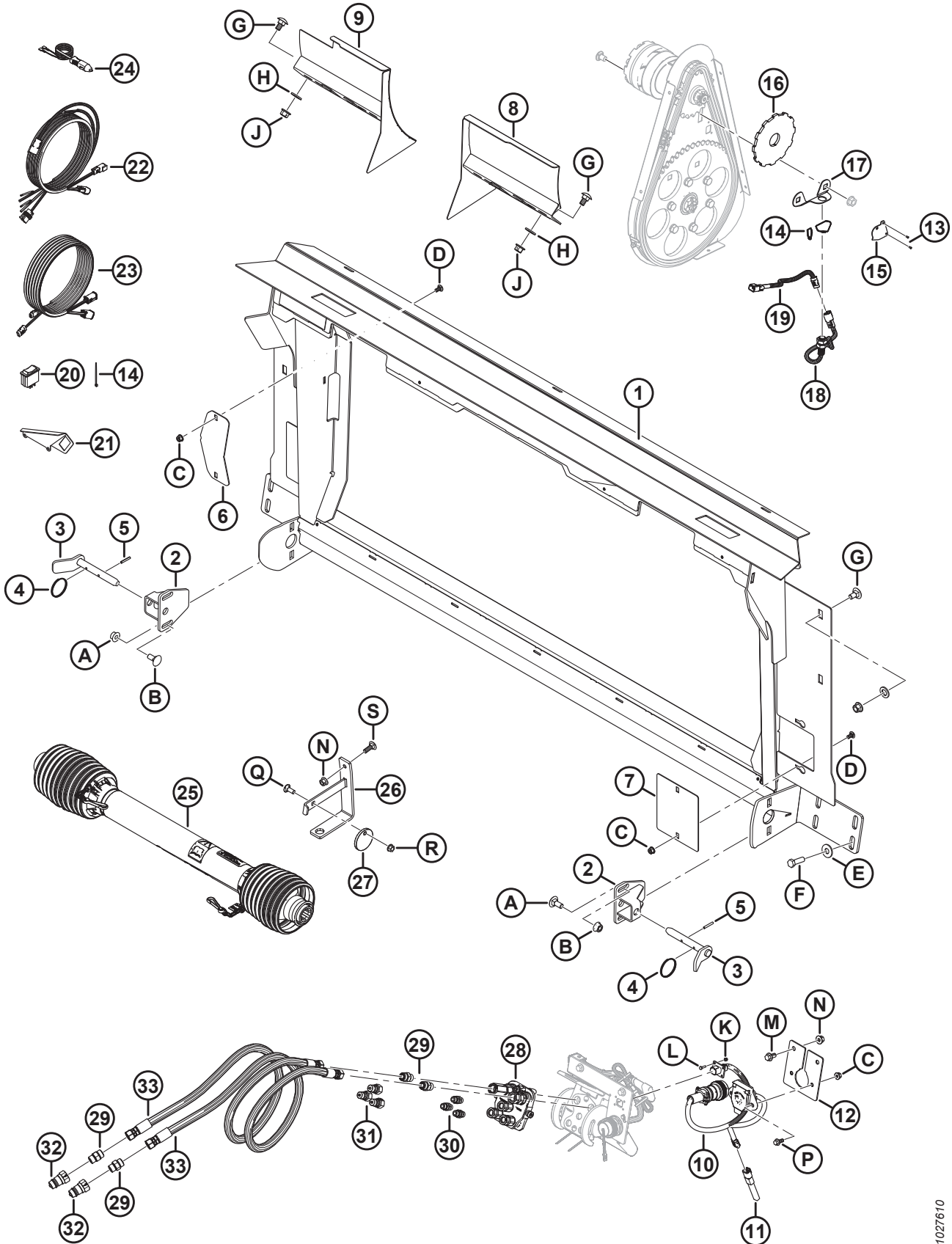
**ROSTSELMASH CONVERSION KIT**

Ref	Part Number	Description	Qty	Serial Number
	B6568	KIT – CASE TO ROSTSELMASH 760/780 CONV PKG <sup>503</sup>		
1	314684	FRAME – TRANSITION W/ DECAL	1	
2	301185	SUPPORT – LOCK WELDT	2	
3	301202	HANDLE – LOWER LOCK WELDT	2	
4	118137	RING	2	
5	13617	PIN – SPRING 3/16 DIA X 1.25 LG	2	
6	322113	PLATE – DRIVE COVER	1	
7	314627	PLATE – FILLER COVER	2	
8	301200	DEFLECTOR – RH WELDT	1	
9	301193	DEFLECTOR – LH WELDT	1	
10	300978	HARNESS – ADAPTER, CNH TO RSM	1	
11	300536	VOLTAGE REGULATOR – (+) 5 VDC	1	
12	314307	SUPPORT – CONNECTOR	1	
13	14338	RIVET – BLIND 1/8 X .125	2	
14	16661	FASTENER – CABLE TIE, BLACK	14	
15	164131	SHIELD – REEL SPEED SENSOR HARNESS	1	
16	304533	DISC – REEL SPEED SENSOR	1	
17	133781	SUPPORT – REEL SPEED SENSOR	1	
18	136167	SENSOR – SPEED	1	
19	304982	HARNESS – WIRING REEL SPEED SENSOR (CLAAS/LEXION)	1	
20	109064	SWITCH – ROCKER (HDR LIFT RELAY BYPASS)	1	
21	158377	SUPPORT – ROCKER SWITCH	1	
22	304210	HARNESS – CAB DRAPER CONTROL	1	
23	304211	HARNESS – CAB DRAPER EXTENSION	1	
24	220570	HARNESS – AUX PWR TO QUICK DISC	1	
25	301704	DRIVELINE – 38-8 SPLINE <sup>504</sup>	1	
26	133166	BRACKET – DRIVELINE HANGER-WELDT	1	
27	133165	DISC – LOCK, DRIVELINE	1	

503. Kit is used to convert from a Case configuration to a Rostselmash 760/780 configuration. Kit also requires a Dealer/ Customer sourced Rostselmash reel speed sensor. Includes all listed parts and instructions. Kits available through Whole Goods only.

504. For service parts, refer to Section *106 Input Driveline and Support*, page 309.

ROTSSELMASH CONVERSION KIT



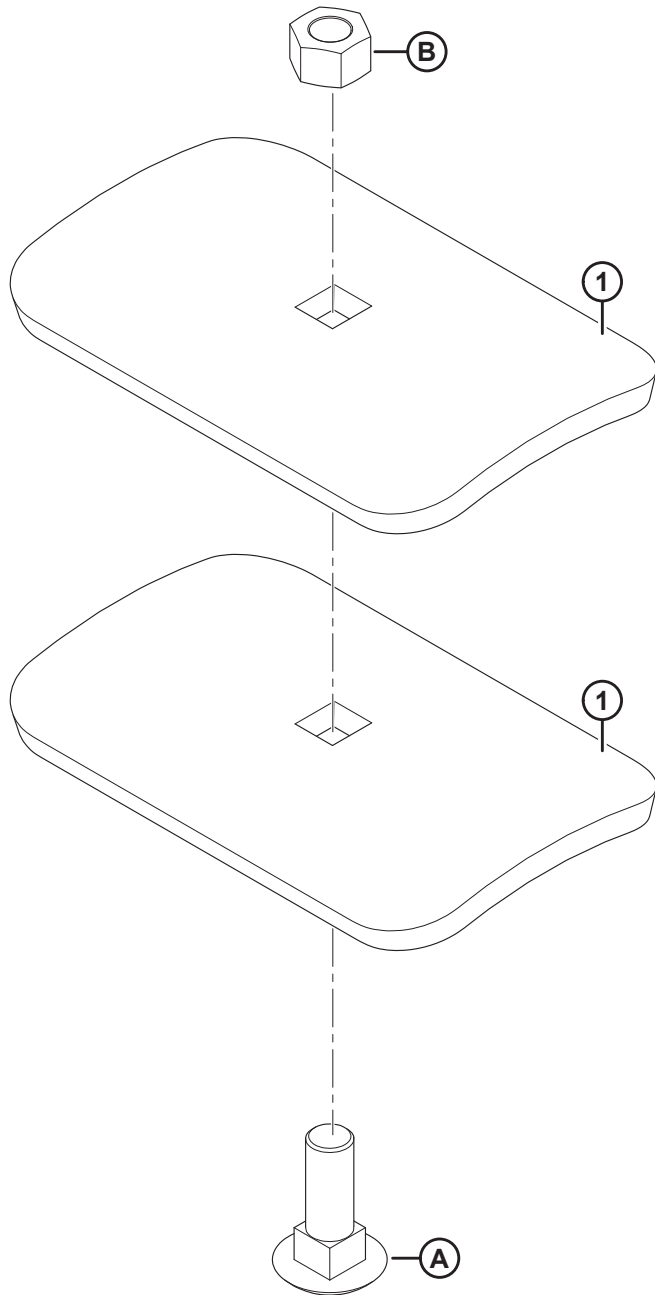
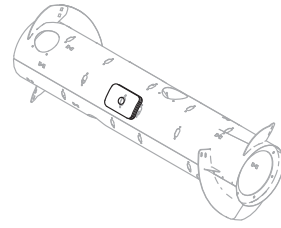
1027610



**ROSTSELMASH CONVERSION KIT**

<b>Ref</b>	<b>Part Number</b>	<b>Description</b>	<b>Qty</b>	<b>Serial Number</b>
28	135238	COUPLING – MULTI LINK	1	
	111981	SEAL KIT – 1/4 IN. COUPLER		
	111982	SEAL KIT – 3/8 IN. COUPLER		
	111983	KIT – SCREW		
	111984	KIT – DOWEL		
	111985	COUPLER – 3/8 IN. (LONG)		
	111986	COUPLER – 1/4 IN.		
	294350	COUPLER – SHORT, 3/8 IN. (SHORT)		
29	135780	FITTING – ADAPTER	4	
	44209	O-RING – #8 ORB		
	135866	O-RING – #8 ORFS		
30	301763	FITTING – ADAPTER -6 ORB	3	
	50219	O-RING – #6 ORB		
31	301764	FITTING – COUPLING HYD	3	
32	301765	FITTING – COUPLING HYD	2	
33	301766	HOSE – HYDRUALIC	2	
A	184667	BOLT – RHSN M12 X 1.75 X 30-8.8-AA1J		
B	184697	NUT – HEX SER FLG M12 X 1.75-8-AA1J		
C	135337	NUT – HEX FLG CTR LK M8 X 1.25-8-AA1J		
D	191489	BOLT – RHSSN TFL M8 X 1.25 X 16-8.8-AA1J		
E	184589	WASHER – FLAT 9/16 X 1.375 AA1J		
F	184669	BOLT – HEX HD M12 X 1.75 X 40-8.8-AA1J		
G	135903	BOLT – RHSN M12 X 1.75 X 25-8.8-AA1J		
H	184717	WASHER – FLAT REG M16-200HV-AA1J		
J	136431	NUT – HEX FLG CTR LOC M12 X 1.75-10		
K	197320	NUT – HEX NYLOC M4 X 0.7-8-AA1J		
L	197319	BOLT – HEX HD TFL M4 X 0.7 X 16-8.8-AA1J		
M	152655	BOLT – HEX FLG HD M10 X 1.5 X 20-8.8-AA1J		
N	135799	NUT – HEX FLG CTR LOC M10 X 1.5-10		
P	136300	BOLT – HEX FLG HD TFL M8 X 1.25 X 20-8.8-AA3L		
Q	19965	BOLT – RHSN 3/8-16 X 1-GR5-AA1J		
R	30228	NUT – FLG DT 3/8 NC-GR5-AA1J		
S	184662	BOLT – RHSN TFL M10 X 1.5 X 30-8.8-AA1J		

# 156 Auger Dent Repair Kit



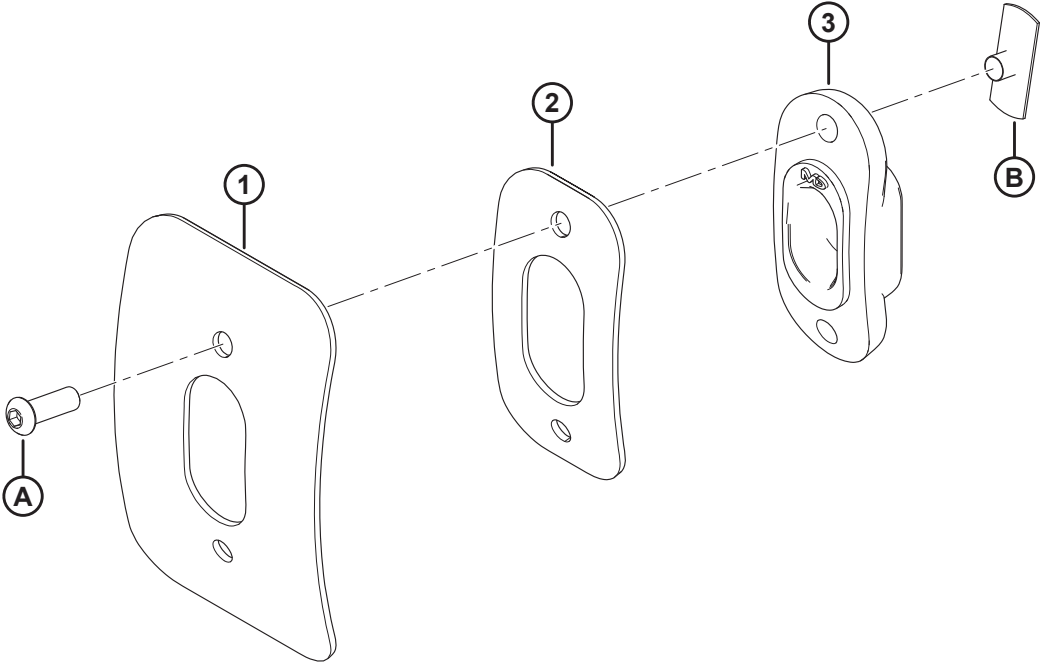
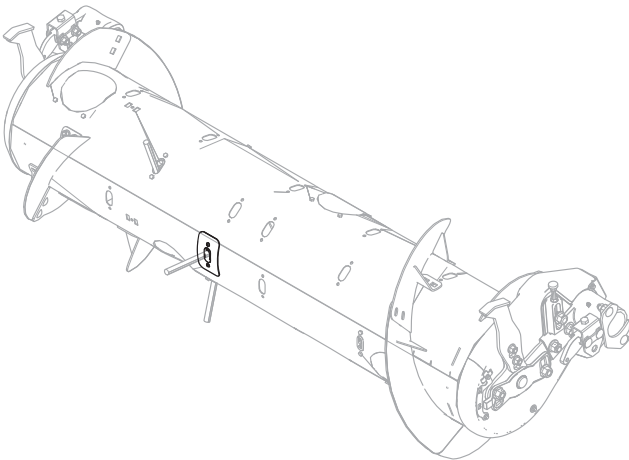
**AUGER DENT REPAIR KIT**

<b>Ref</b>	<b>Part Number</b>	<b>Description</b>	<b>Qty</b>	<b>Serial Number</b>
	237563	KIT – AUGER DENT REPAIR <sup>505</sup>		
1	237556	SUPPORT	2	
A	197154	BOLT – RHSN M16 X 2 X 50-10.9-A3L		
B	184699	NUT – HEX M16 X 2-8-A3L		

---

505. Includes two supports (MD #237556), bolt (MD #197154), nut (MD #184699), and instructions.

# 157 Auger Patch Kit



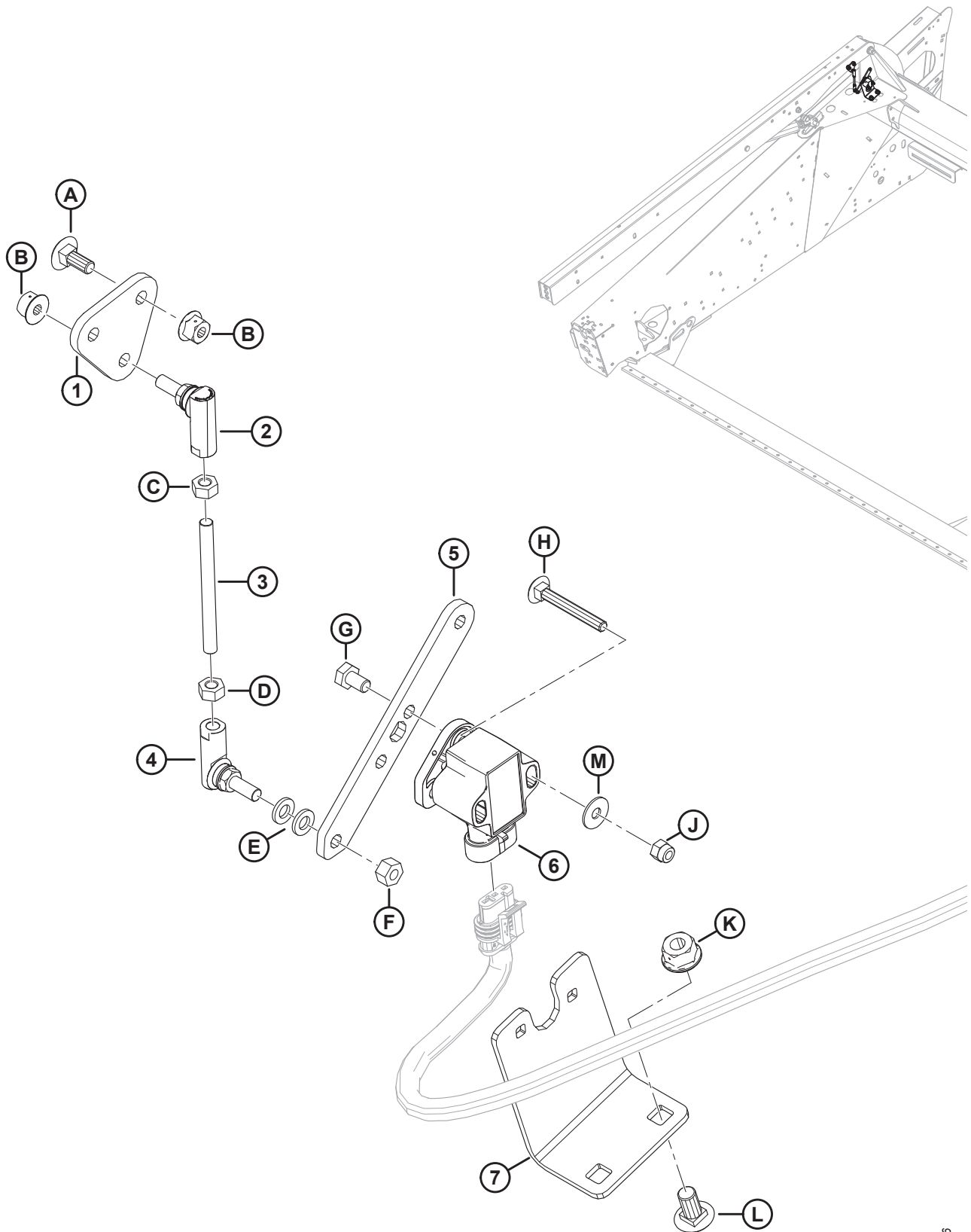
**AUGER PATCH KIT**

<b>Ref</b>	<b>Part Number</b>	<b>Description</b>	<b>Qty</b>	<b>Serial Number</b>
	335464	KIT – RTD REPAIR <sup>506</sup>		
1	NSS	BAND	1	
2	NSS	BAND – RTD REPAIR	1	
3	337143	GUIDE	1	
A	123084	SCREW – HEX SOCKET BUTTON HEAD		
B	123202	NUT – TEE		

---

506. Kit is used to repair auger damage around an auger finger. Kit includes repair bands (not sold separately), one guide (MD #337143), two screws (MD #123084), two tee nuts (MD #123202), and instructions.

# 158 Reel Height Sensor

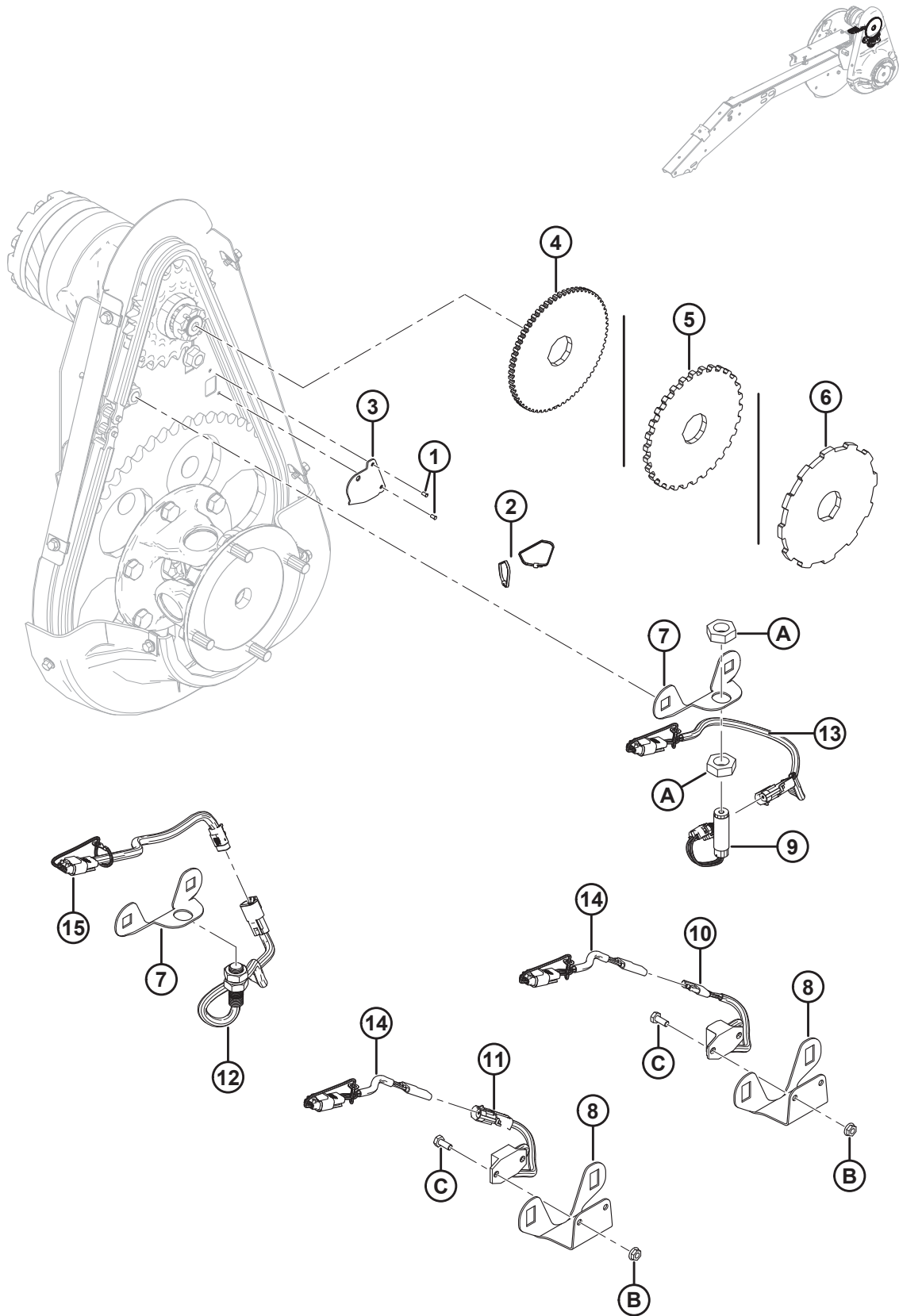


1033226

**REEL HEIGHT SENSOR**

<b>Ref</b>	<b>Part Number</b>	<b>Description</b>	<b>Qty</b>	<b>Serial Number</b>
1	254096	PLATE – BALL JOINT MOUNTING	1	
2	291485	BALL JOINT – LH THREAD	1	
3	232650	ROD – THREADED	1	
4	291484	BALL JOINT – RH THREAD	1	
5	254095	ARM – FLOAT SENSOR	1	
6	248643	ROTARY SENSOR – DUAL OUTPUT	1	
7	254089	BRACKET – SENSOR MOUNTING	1	
A	136748	BOLT – RHSN M6 X 1 X 16-8.8-A2L		
B	152668	NUT – HEX FLG CTR LOC M6 X 1-8-A2L		
C	136613	NUT – HEX LH ISO 4032 M6 X 1-8-AA2L		
D	184683	NUT – HEX ISO 4032 M6 X 1-8-A2L		
E	184705	WASHER – FLAT M6-200HV-A2L		
F	136773	NUT – HEX CTR LOC M6 X 1-8-AA3L		
G	136561	BOLT – HEX HD TFL M6 X 1 X 10-8.8-A3L		
H	136604	BOLT – RHSN TFL M5 X 0.8 X 40-8.8-AA2L		
J	197230	NUT – HEX NYLOC M5 X 0.8-8-A2L		
K	135337	NUT – HEX FLG CTR LOC M8 X 1.25-8-A2L		
L	191489	BOLT – RHSSN TFL M8 X 1.25 X 16-8.8-A2L		
M	184701	WASHER – FLAT LARGE M5-200HV		

# 159 Reel Speed Sensors

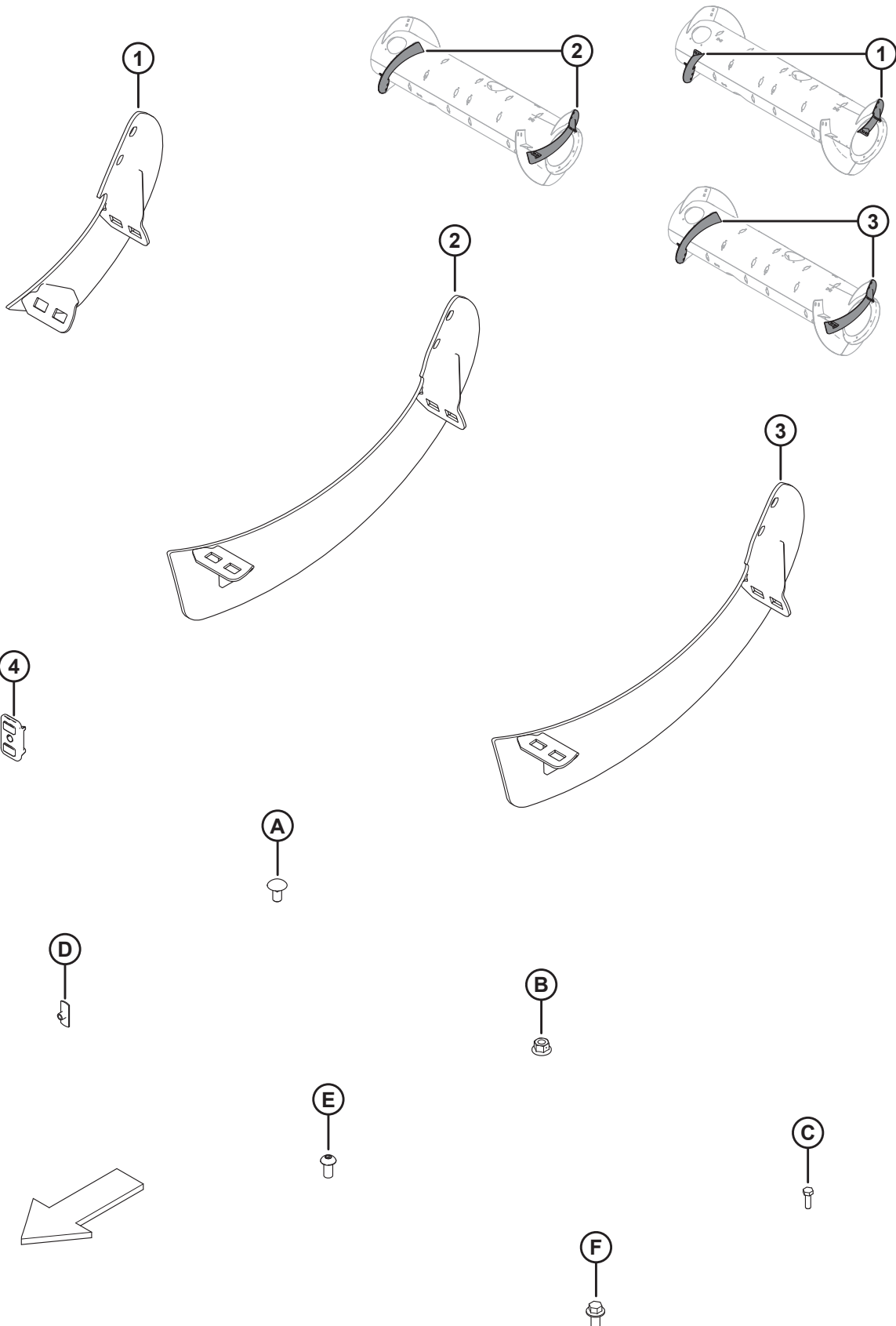




**REEL SPEED SENSORS**

<b>Ref</b>	<b>Part Number</b>	<b>Description</b>	<b>Qty</b>	<b>Serial Number</b>
1	14338	RIVET – BLIND 1/8 X .125	2	
2	16661	FASTENER – CABLE TIE (BLACK)	2	
3	164131	SHIELD – REEL SPEED SENSOR HARNESS	1	
4	133716	DISC – REEL SPEED SENSOR (JD)	1	
5	133997	DISC – REEL SPEED SENSOR (AGCO/GLEANER)	1	
6	304533	DISC – REEL SPEED SENSOR (CLAAS)	1	
7	133781	SUPPORT – REEL SPEED SENSOR (JD/CLAAS)	1	
8	279746	SUPPORT – REEL SPEED SENSOR (AGCO/GLEANER)	1	
9	184437	SENSOR – SPEED (JD)	1	
10	152736	SENSOR – SPEED, 3-WIRE (CHALLENGER/MASSEY)	1	
11	184440	SENSOR – SPEED, 2-WIRE (GLEANER)	1	
12	136167	SENSOR – SPEED (CLAAS)	1	
13	220571	HARNESS – WIRING REEL SPEED SENSOR (JD)	1	
14	220572	HARNESS – WIRING REEL SPEED SENSOR (CHALLENGER/MASSEY/GLEANER)	1	
15	304982	HARNESS – WIRING REEL SPEED SENSOR (CLAAS/LEXION)	1	
A	7674	NUT – HEX JAM 3/4-16 UNF GR 5 ZP		
B	21455	NUT – FLG (SER FACE) 1/4 NC GR 5 ZP		
C	21572	BOLT – HEX HD 1/4 NC X 0.625 LG GR 5 ZP		

# 160 (Option) Auger Flighting Kits



(OPTION) AUGER FLIGHTING KITS

**NOTE:**

Long flighting kits (B6400 and MD #287032) are used to convert the auger to the optional Ultra Narrow configuration. Refer to your header operator’s manual for more information.

Ref	Part Number	Description	Qty	Serial Number
	B6400	KIT – FM100 RTD, WEAR RESISTANT FLIGHT <sup>507</sup>		
	287031	KIT – FM100 RTD, MED FLIGHT <sup>508</sup>		
	287032	KIT – FM100 RTD, LONG FLIGHT <sup>509</sup>		
1	NSS	FLIGHTING, RTD – RH, MED <sup>510</sup>	1	
	NSS	FLIGHTING, RTD – LH, MED <sup>511</sup>	1	
	287887	FLIGHTING, RTD – RH, MED (HIWEAR)	1	
	287888	FLIGHTING, RTD – LH, MED (HIWEAR)	1	
2	NSS	FLIGHTING, RTD – RH, LONG <sup>512</sup>	1	
	NSS	FLIGHTING, RTD – LH, LONG <sup>513</sup>	1	
3	287890	FLIGHTING, RTD – RH, LONG (HIWEAR)	1	
	287889	FLIGHTING, RTD – LH, LONG (HIWEAR)	1	
4	213084	PLUG – FLIGHTING SLOT	2	
A	136178	BOLT – RHSN M10 X 1.5 X 20-8.8-A3L		
B	135799	NUT – HEX FLG CTR LOC M10 X 1.5-10-A3L		
C	252703	BOLT – HEX HD TFL M6 X 1 X 20 X SPCL-12.9-AA2L		
D	197263	NUT – TEE M6 X 1		
E	135723	SCREW – HEX SOC BTN HD M10 X 1.5 X 20-10.9-A3L		
F	152655	BOLT – HEX FLG HD M10 X 1.5 X 20-8.8-A3L		

507. The kit includes Long Flighting kit (MD #287032). Kits are available through Whole Goods only.

508. The kit includes wear-resistant medium flighting, two plugs (MD #213084), hardware, and instructions.

509. The kit includes wear-resistant long flighting, two plugs (MD #213084), hardware, and instructions.

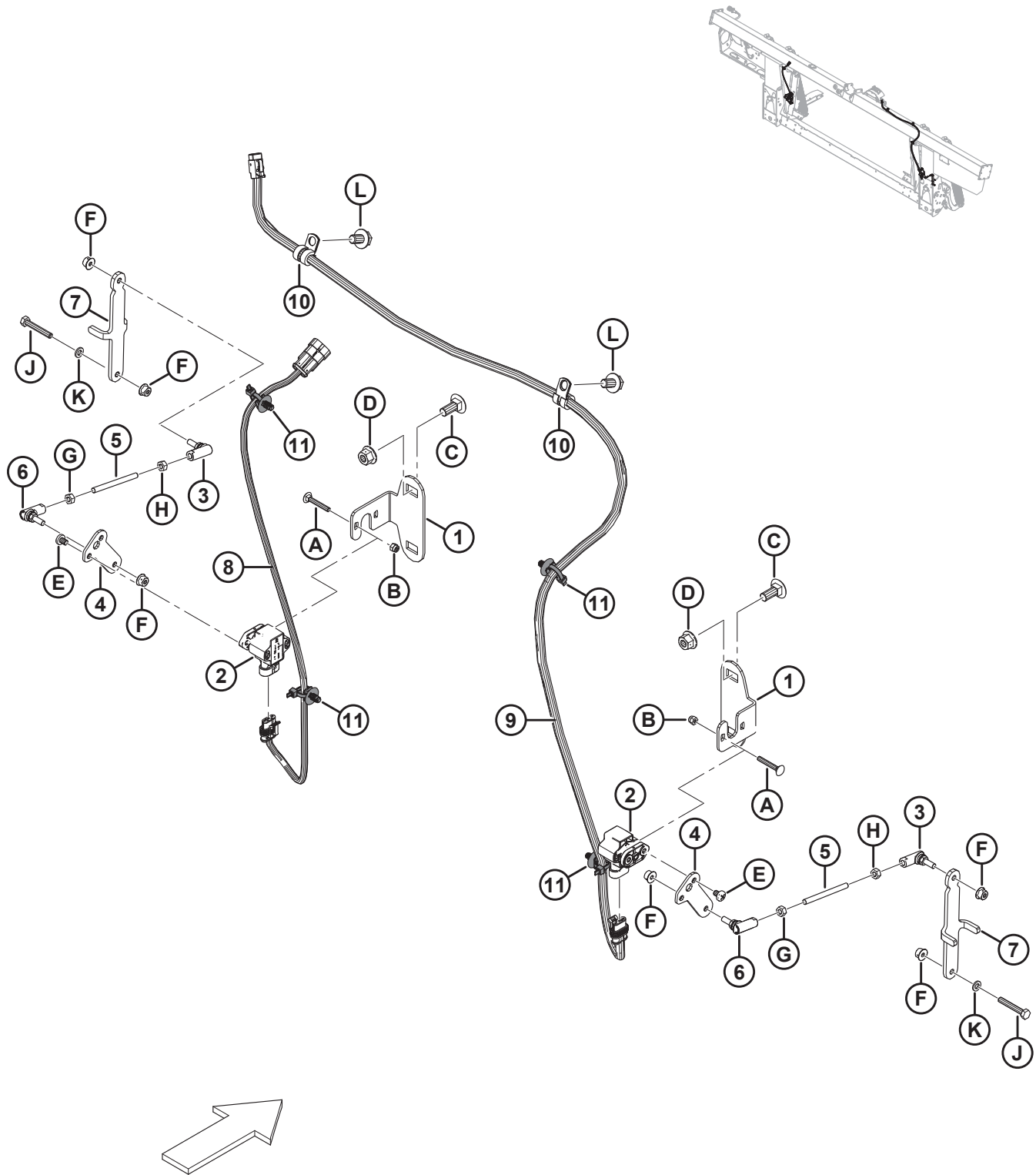
510. Service with medium right flighting (MD #287887).

511. Service with medium left flighting (MD #287888).

512. Service with long right flighting (MD #287890).

513. Service with long left flighting (MD #287889).

# 161 (Option) Dual Sensor Auto Header Height Control



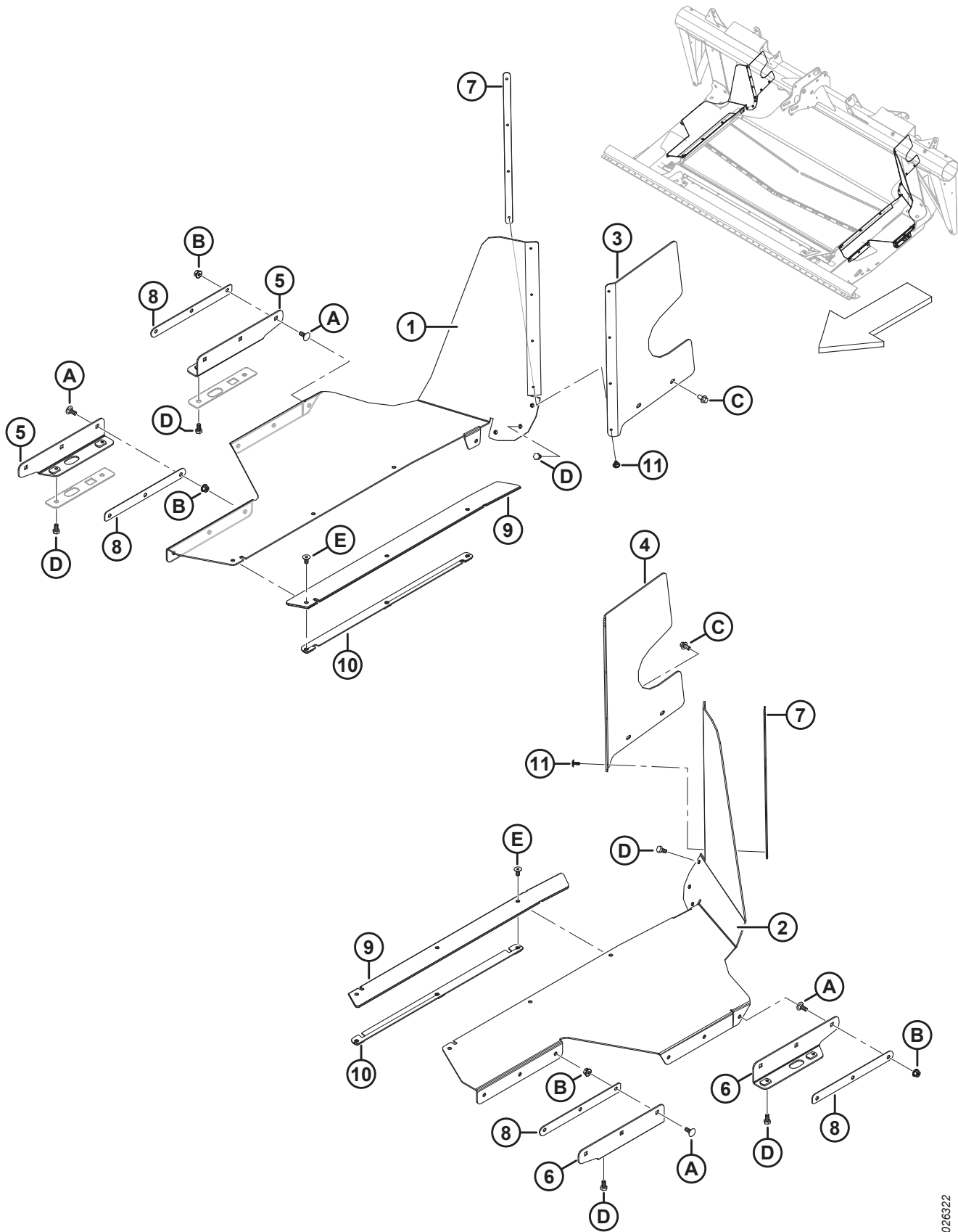
(OPTION) DUAL SENSOR AUTO HEADER HEIGHT CONTROL

Ref	Part Number	Description	Qty	Serial Number
	B6211	KIT – DUAL SENSOR AHHC <sup>514</sup>		
	248783	KIT – DUAL SENSOR AHHC <sup>515</sup>		
1	301865	BRACKET – AHHC SENSOR	2	
2	248643	ROTARY SENSOR – DUAL OUTPUT	2	
3	291485	BALL JOINT – LH THREAD	2	
4	248816	ARM – FLOAT SENSOR	2	
5	232650	ROD – THREADED	2	
6	291484	BALL JOINT – RH THREAD	2	
7	295179	BRACKET – SENSOR LINK	2	
8	276201	HARNESS – LH HEIGHT SENSOR	1	
9	276871	HARNESS – RH HEIGHT SENSOR	1	
10	136410	CLAMP – INSULATED 3/8 IN.	2	
11	136655	FASTENER – FIR TREE MT W/ TIE	4	
A	197229	BOLT – RHSN M5 X 0.8 X 35-4.6-A2L		
B	197230	NUT – HEX NYLOC M5 X 0.8-8-A2L		
C	135785	BOLT – RHSN M10 X 1.5 X 25-8.8-A3L		
D	135799	NUT – HEX FLG CTR LOC M10 X 1.5-10-A3L		
E	158704	SCREW – PAN HD M6 X 1 X 8-4.8-A2L		
F	152668	NUT – HEX FLG CTR LOC M6 X 1-8-A2L		
G	184683	NUT – HEX ISO 4032 M6 X 1-8-A2L		
H	136613	NUT – HEX LH ISO 4032 M6 X 1-8-AA2L		
J	135671	BOLT – HEX HD TFL M6 X 1 X 40-8.8-A2L		
K	184705	WASHER – FLAT M6-200HV-A2L		
L	136151	BOLT – HEX FLG HD TFL M10 X 1.5 X 16-8.8-A3L		

514. Includes Dual Sensor Auto Header Height Control kit (MD #248783). Kits available through Whole Goods only.

515. Includes all listed parts, hardware, and instructions.

# 162 (Option) FM100 Full Interface Filler – FD1

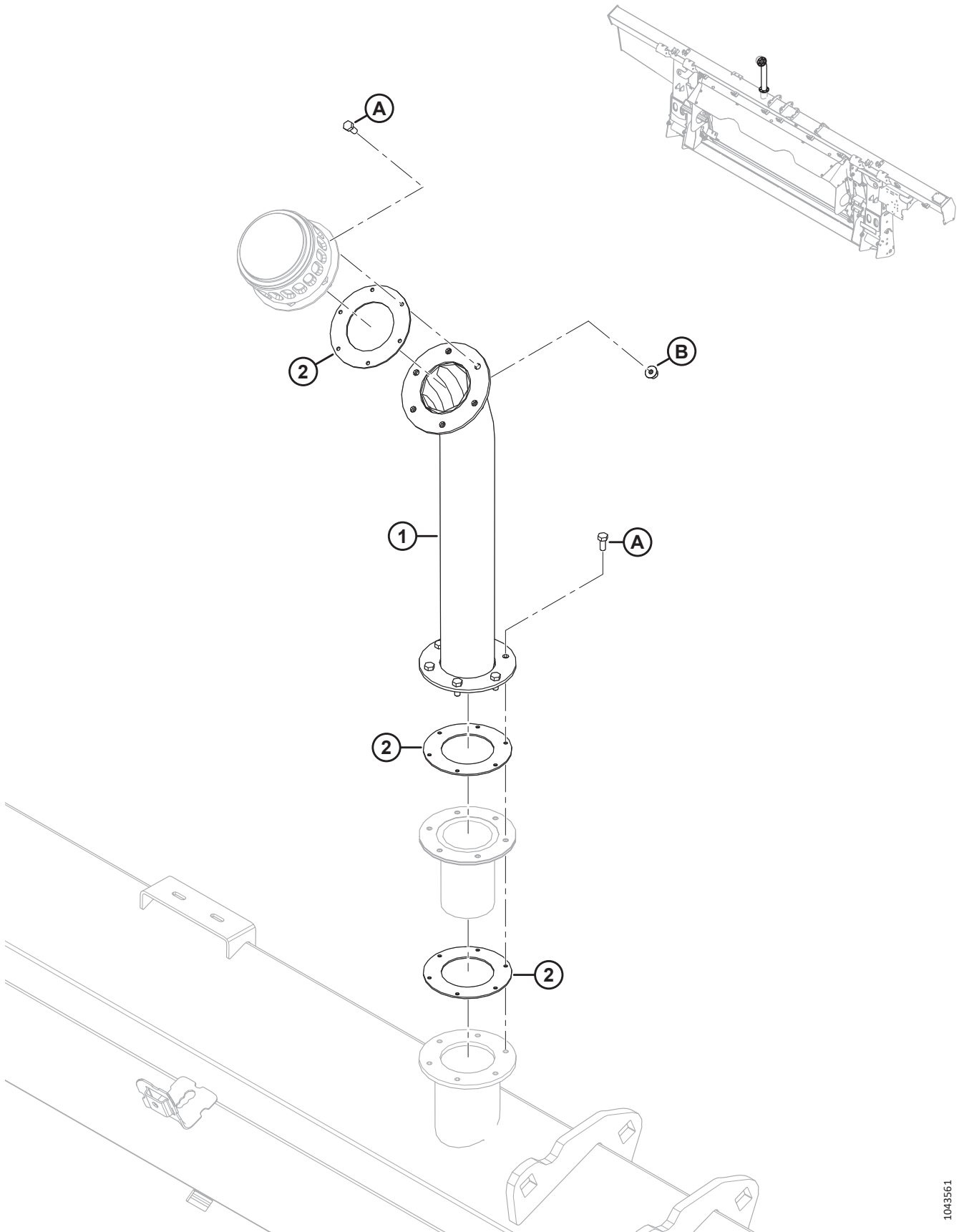


(OPTION) FM100 FULL INTERFACE FILLER – FD1

Ref	Part Number	Description	Qty	Serial Number
	B6445	KIT – FULL INTERFACE FILLER FD1 <sup>516</sup>		
1	287949	FILLER – SIDE DECK RH FD1	1	
2	287948	FILLER – SIDE DECK LH FD1	1	
3	213493	FILLER – RH REAR UPPER	1	
4	213492	FILLER – LH REAR UPPER	1	
5	295142	SUPPORT – SIDE FILLER RH WELDT FD1	2	
6	295143	SUPPORT – SIDE FILLER LH WELDT FD1	2	
7	276770	PLATE – FILLER RETAINER	2	
8	213295	PLATE – FILLER RETAINER	4	
9	287719	FILLER – REINFORCEMENT	2	
10	301726	RETAINER – SIDE FILLER WELDT	2	
11	293053	RIVET – POP	8	
A	197171	BOLT – RHSN M8 X 1.25 X 20-8.8-A2L		
B	135337	NUT – HEX FLG CTR LOC M8 X 1.25-8-A2L		
C	136485	BOLT – HEX FLG HD TFL M8 X 1.25 X 16-8.8-A3L		
D	50139	BOLT – HEX HD TFL M8 X 1.25 X 16-8.8-A2L		
E	252542	SCREW – HEX SOC CSK HD TFL M8 X 1.25 X 16-10.9-AA2L		

516. European market area only. Provides additional sealing between float module and header. Kits available through Whole Goods only.

# 163 (Option) Hillside Extension





(OPTION) HILLSIDE EXTENSION

Ref	Part Number	Description	Qty	Serial Number
	<b>B7542</b>	<b>KIT – HYDRAULIC RESERVOIR FILL EXTENSION</b> <sup>517</sup>		
	<b>284975</b>	<b>KIT – HYDRAULIC RESERVOIR FILL EXTENSION</b> <sup>518</sup>		
1	NSS	HYD RESERVOIR FILL EXTENSION	1	
2	<b>312706</b>	<b>KIT – OIL FILL GASKETS</b> <sup>519</sup>	<b>A/R</b>	
	166450	DECAL – WARNING, HOT SURFACE	2	
A	320397	SCREW – HEX HD TFL M5 X 0.8 X 12-8.8-PLAIN (2022 AND LATER) <sup>520</sup>		421190–
	135873	SCREW – MACH #10-32 X 0.5 IN. HEX (2021 AND PRIOR) <sup>520</sup>		–421189
B	<b>136635</b>	<b>NUT – HEX FLG CTR LOC M5 X 0.8-8-AA1J</b>		

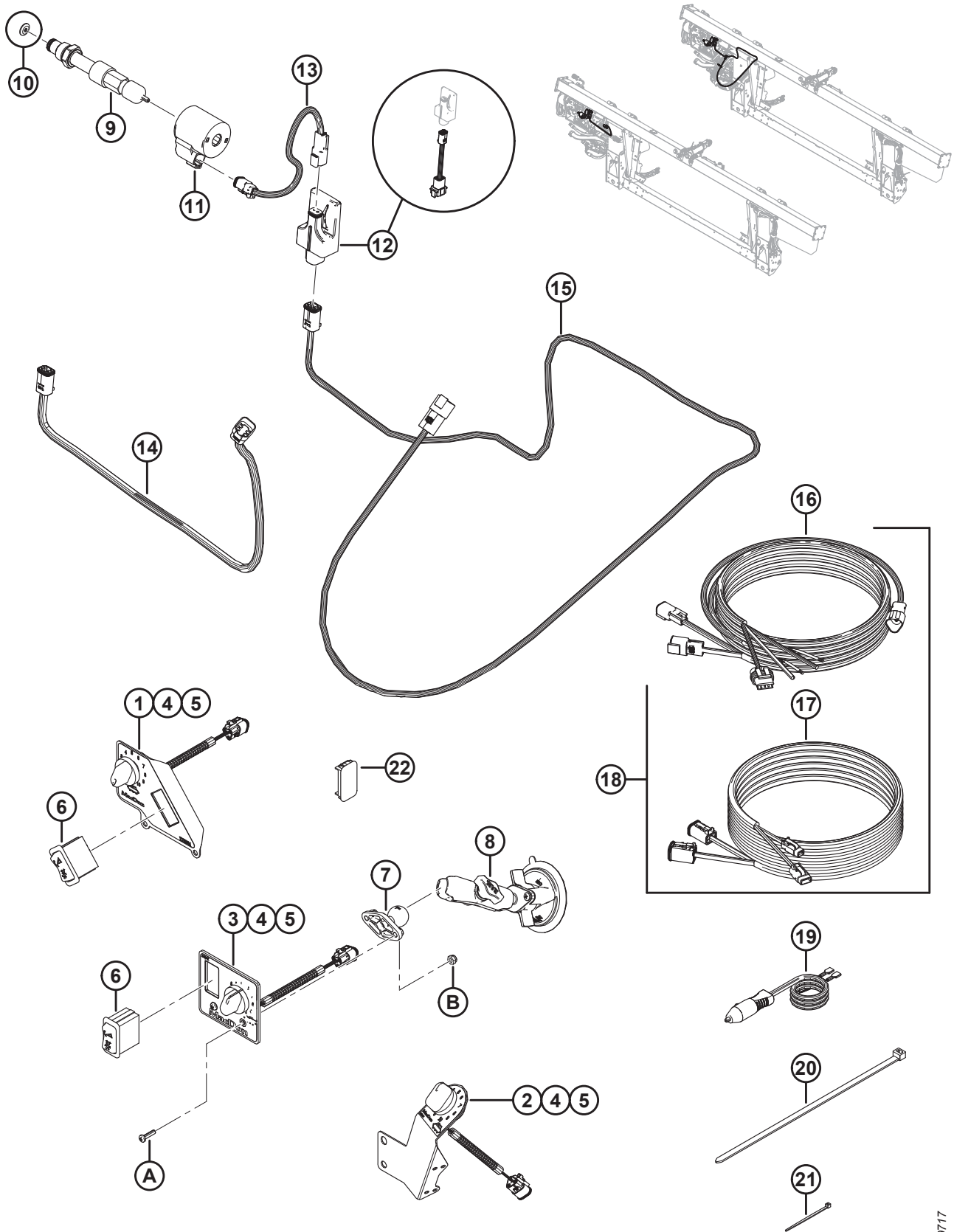
517. The kit includes hydraulic reservoir fill extension (NSS), 3 gaskets (NSS), 2 decals (MD #166450), 12 metric screws (MD #320397), 6 metric nuts (MD #136635), and instructions. For model year 2021 and prior machines with imperial threaded holes, order imperial screws (MD #135873) separately. Kits are available through Whole Goods only.

518. The kit includes hydraulic reservoir fill extension (NSS), 3 gaskets (NSS), 2 decals (MD #166450), 12 metric screws (MD #320397), 6 metric nuts (MD #136635), and instructions. For model year 2021 and prior machines with imperial threaded holes, order imperial screws (MD #135873) separately.

519. The Oil Fill Gaskets kit includes two gaskets (NSS).

520. On model year 2021 and prior units, use imperial screw (MD #135873) to prevent cross threading a metric bolt into an imperial threaded hole.

# 164 (Option) In-Cab Side Draper Speed Control Kits



**(OPTION) IN-CAB SIDE DRAPER SPEED CONTROL KITS**

**NOTE:**

Quantities listed are for B6701/B6702/B6703.

Ref	Part Number	Description	Qty B6701/B6702/B6703	Serial Number
	B6701	KIT – IN-CAB SIDE DRAPER SPEED CONTROL (JOHN DEERE) <sup>521</sup>	1/0/0	
	B6702	KIT – IN-CAB SIDE DRAPER SPEED CONTROL (CNH) <sup>521</sup>	0/1/0	
	B6703	KIT – IN-CAB SIDE DRAPER SPEED CONTROL (GENERIC) <sup>521</sup>	0/0/1	
1	287945	CONTROL PANEL – ICSDSC, JD <sup>522</sup>	1/0/0	
2	276671	CONTROL PANEL – ICSDSC, CNH <sup>522</sup>	0/1/0	
3	287944	CONTROL PANEL – ICSDSC, GENERIC <sup>522</sup>	0/0/1	
4	213459	POTENTIOMETER – 5K	1/1/1	
5	109773	KNOB – PLASTIC	1/1/1	
6	287797	SWITCH – ROCKER, TILT	1/0/1	
7	287749	BASE – BALL MOUNT	0/0/1	
8	287859	BASE – SUCTION CUP WITH ARM	0/0/1	
9	276631	VALVE – FLOW CONTROL <sup>523</sup>	1/1/1	
	220908	KIT – SEAL		
10	287227	ORIFICE PLATE – 0.18 IN. (2017 ONLY) <sup>524</sup>	1/1/1	–321189
11	209045	COIL – SOLENOID	1/1/1	
12	304377	KIT – VALVE DRIVER MODULE <sup>525</sup>	1/1/1	
	304376	HARNESS – VALVE DRIVER ADAPTER <sup>526</sup>	1/1/1	
13	213812	HARNESS – SOLENOID	1/1/1	
14	304254	HARNESS – VALVE DRIVER (CNH)	0/1/0	371190–
	213813	HARNESS – VALVE DRIVER (CNH) (2019 AND PRIOR) <sup>527</sup>	0/1/0	–371189
15	304370	HARNESS – VALVE DRIVER	1/0/1	371190–
	287894	HARNESS – VALVE DRIVER (2019 AND PRIOR) <sup>527</sup>	1/0/1	–371189
16	304210	HARNESS – CAB DRAPER CONTROL	0/1/1	346190–
17	304211	HARNESS – CAB DRAPER EXTENSION	0/1/1	346190–
18	304216	KIT – CAB DRAPER CONTROL HARNESS <sup>528</sup>	0/1/1	–346189
19	220570	HARNESS – AUX PWR TO QUICK DISC	1/1/1	
20	30753	FASTENER – CABLE TIE, BLACK, 305 MM LG	2/2/2	

521. Kits available through Whole Goods only. Includes all listed parts and instructions. See parts list for quantities specific to kit.

522. Includes 5K potentiometer (MD #213459) and plastic knob (MD #109773).

523. Valve integrates orifice plate (MD #287227) into the valve cartridge assembly for model year 2018 . Model year 2017 had it as a separate part.

524. Serviceable part for model year 2017.

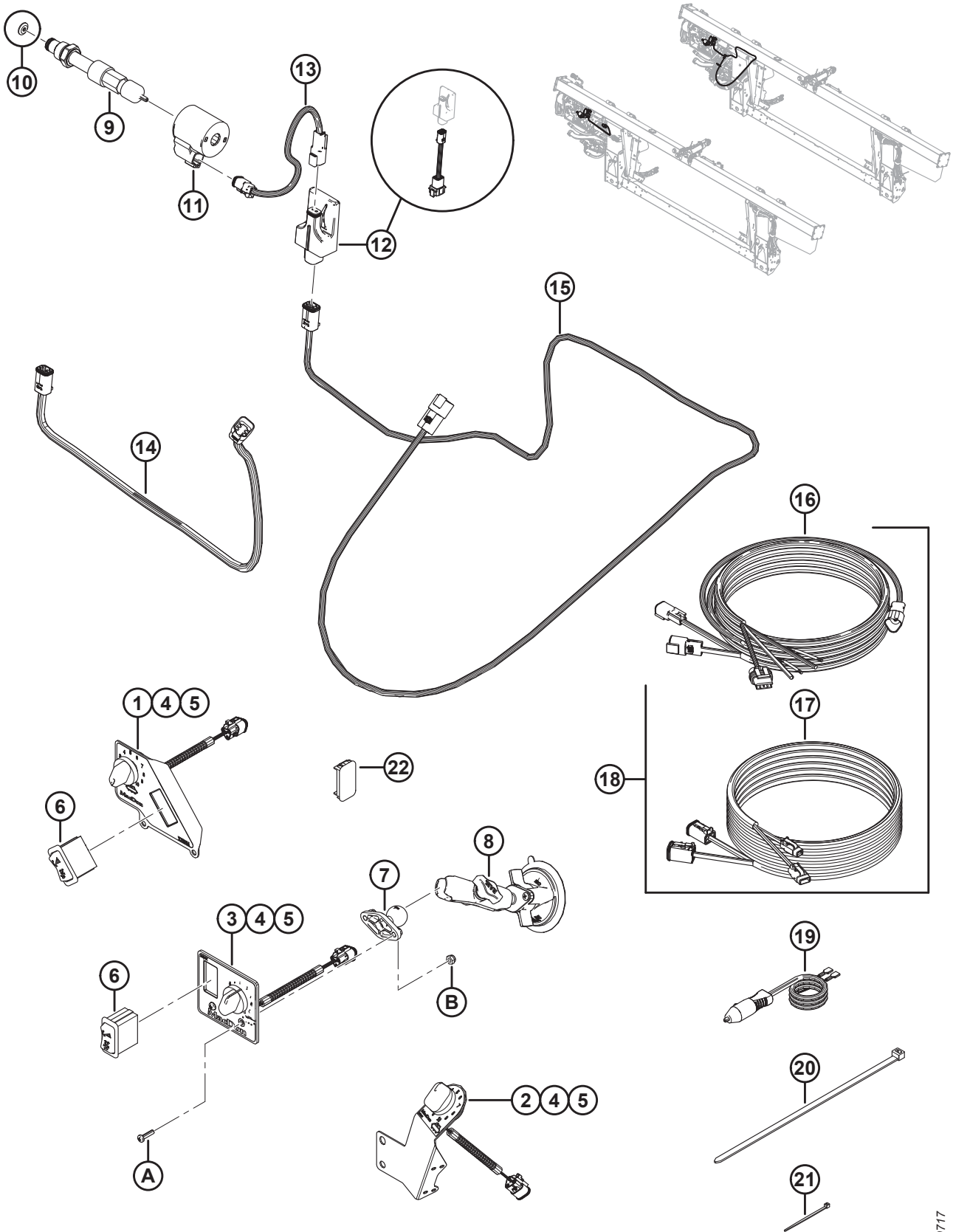
525. Includes valve driver module with loaded software (NSS) and adapter harness (MD #304376).

526. Valve driver adapter harness (MD #304376) used to connect valve driver module to model year 2019 and prior valve driver harnesses (MD #213813 and 287894).

527. Service part only for model year 2019 and prior units.

528. Kit is used to service model year 2018 and prior units with 2018 cab draper control harness (MD #213667). Includes cab draper control harness (MD #304210) and cab draper extension harness (MD #304211).

(OPTION) IN-CAB SIDE DRAPER SPEED CONTROL KITS



1029717

(OPTION) IN-CAB SIDE DRAPER SPEED CONTROL KITS

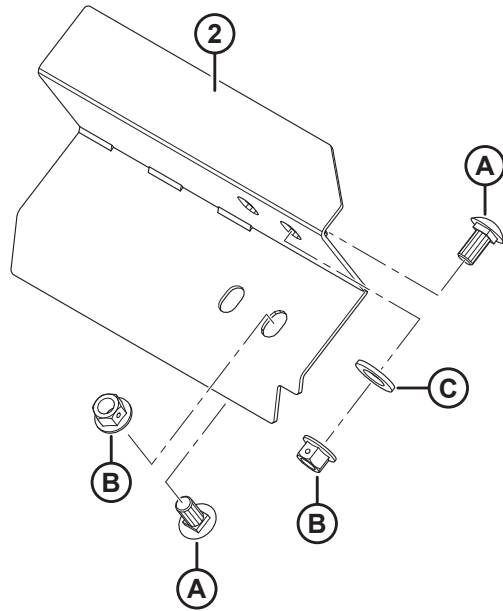
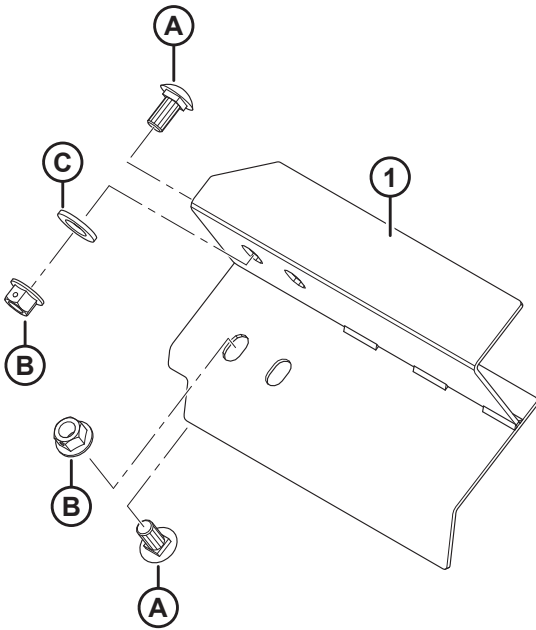
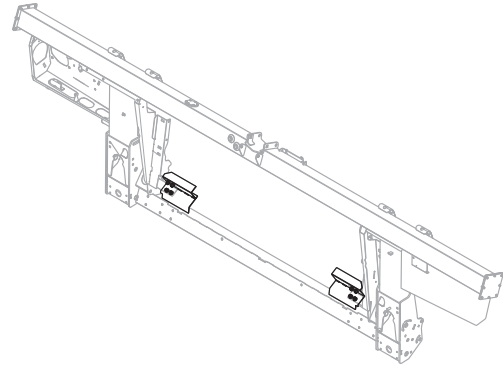
Ref	Part Number	Description	Qty B6701/B6702/B6703	Serial Number
21	16661	FASTENER – CABLE TIE, BLACK, 69 MM LG	15/15/15	
22	287784	PLUG – PANEL <sup>529</sup>	0/0/1	
A	135161	SCREW – MACHINE, #10-32 UNF X 0.75 IN. <sup>530</sup>		
B	20012	NUT – NYLOC #10-32-GR5-AA3L <sup>530</sup>		

---

529. Supplied with Generic In-Cab Side Draper Speed Control kit (B6703) to be installed in place of combine's non-functioning switch, after kit has been installed.

530. Service part only for Generic In-Cab Side Draper Speed Control kits (B6703).

# 165 (Option) Stripper Bars



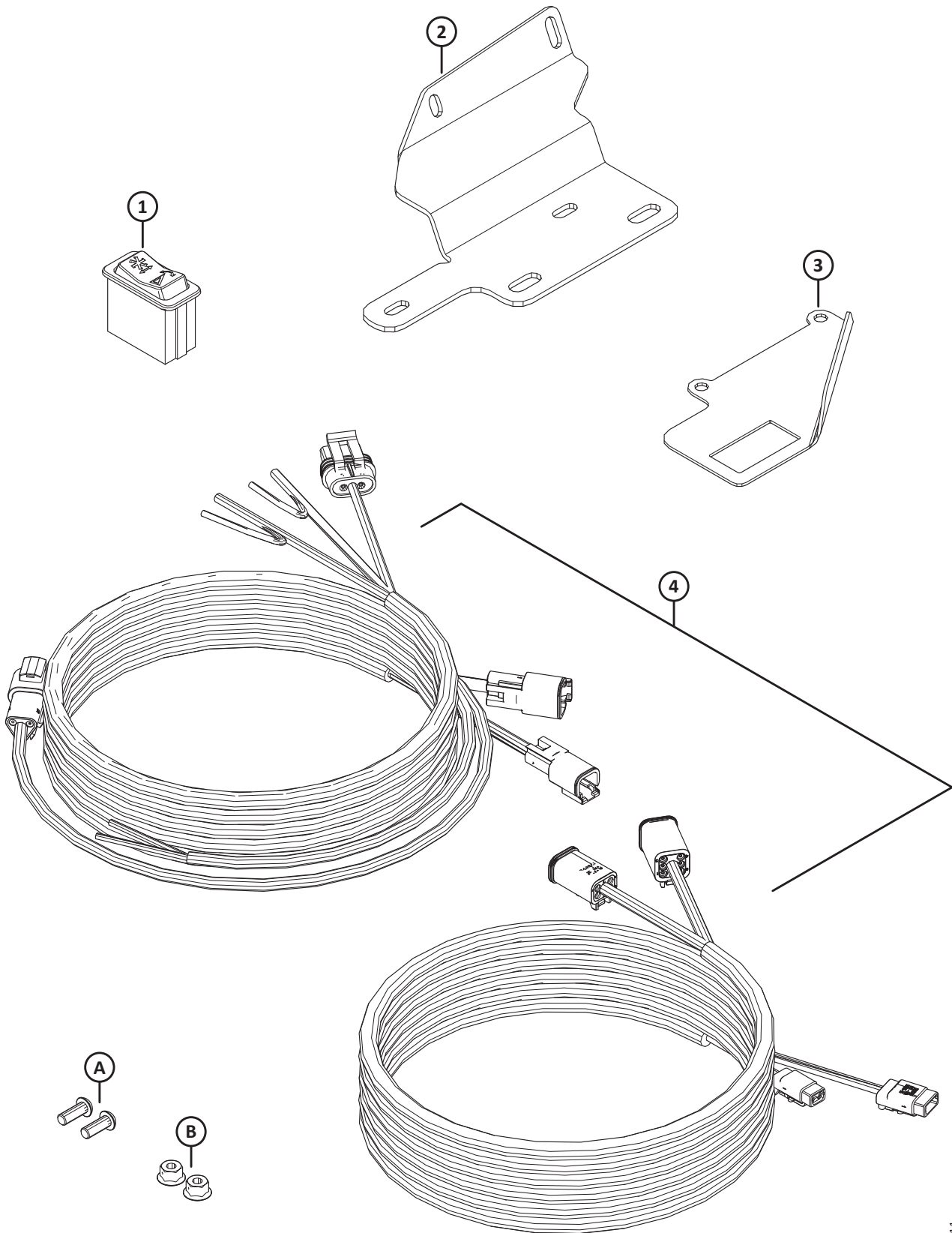
(OPTION) STRIPPER BARS

Ref	Part Number	Description	Qty	Serial Number
	B6042	KIT – STRIPPER BARS, 265 MM LG (WITHOUT CUTOUT) <sup>531</sup>		
	B6043	KIT – STRIPPER BARS, 265 MM LG (WITH CUTOUT) <sup>531</sup>		
	B6044	KIT – STRIPPER BARS, 325 MM LG <sup>531</sup>		
	B6045	KIT – STRIPPER BARS, 365 MM LG <sup>531</sup>		
	B6046	KIT – STRIPPER BARS, 403 MM LG <sup>531</sup>		
	B6213	KIT – STRIPPER BARS, 515 MM LG <sup>531</sup>		
1	213523	STRIPPER – WELDMENT, LEFT (265 MM LG W/O CUTOUT)	1	
	276899	STRIPPER – WELDMENT, LEFT (265 MM LG W/ CUTOUT) <sup>532</sup>	1	
	213573	STRIPPER – WELDMENT, LEFT (325 MM LG)	1	
	213567	STRIPPER – WELDMENT, LEFT (365 MM LG)	1	
	213561	STRIPPER – WELDMENT, LEFT (403 MM LG)	1	
	213579	STRIPPER – WELDMENT, LEFT (515 MM LG)	1	
2	213525	STRIPPER – WELDMENT, RIGHT (265 MM LG W/O CUTOUT)	1	
	276900	STRIPPER – WELDMENT, RIGHT (265 MM LG W/ CUTOUT) <sup>532</sup>	1	
	213574	STRIPPER – WELDMENT, RIGHT (325 MM LG)	1	
	213568	STRIPPER – WELDMENT, RIGHT (365 MM LG)	1	
	213562	STRIPPER – WELDMENT, RIGHT (403 MM LG)	1	
	213580	STRIPPER – WELDMENT, RIGHT (515 MM LG)	1	
A	135903	BOLT – RHSN M12 X 1.75 X 25-8.8-A3L		
B	136431	NUT – HEX FLG CTR LOC M12 X 1.75-10-A3L		
C	184717	WASHER – FLAT REG M16-200HV-AA1J		

531. Kits are available through Whole Goods only.

532. For John Deere S6X0 Series combines.

# 166 (Option) Tilt Harness Kit



1040811



(OPTION) TILT HARNESS KIT

**NOTE:**

This kit only fits the John Deere S Series combines.

Ref	Part Number	Description	Qty	Serial Number
	335695	KIT – 1 SERIES TILT HARNESS <sup>533</sup>		
1	287797	SWITCH – ROCKER, TILT	1	
2	<b>304111</b>	<b>SUPPORT – TILT/DRAPER SPEED</b>	<b>1</b>	
3	220734	SUPPORT – ROCKER SWITCH	1	
4	304216	KIT – CAB DRAPER CONTROL HARNESS <sup>534</sup>	1	
	304210	HARNESS – CAB DRAPER CONTROL		
	304211	HARNESS – CAB DRAPER EXTENSION		
A	<b>136886</b>	<b>SCREW – HEX SOC BTN M6 X 1 X 16-10.9-AA1T</b>		
B	<b>152668</b>	<b>NUT – HEX FLG CTR LOC M6 X 1-8</b>		

---

533. Kit includes all listed parts and hardware.

534. Kit includes cab draper control harness (MD #304210) and cab draper extension harness (MD #304211).



# Index

795 .....	280	18666.....	12, 44, 96, 112, 266
1709 .....	332	18669.....	76, 112, 334
2148 .....	168	18670.....	162
4761 .....	168	18671.....	10, 80, 84, 88, 94, 134, 166, 280, 332
5512 .....	94, 170, 172, 174, 290, 418	18689.....	8
6647 .....	4, 138, 182	18697.....	8, 44, 60, 82, 84, 90, 170, 194, 198, 202, 216, 218
6649 .....	168	18720.....	138, 296, 300, 304, 418
7642 .....	168, 272, 276, 380, 422, 426, 432	18723.....	2, 44, 162, 206, 212, 218, 248, 290
7674 .....	12, 158, 222, 226, 232, 234, 240, 246, 444	18724.....	196, 204, 222, 232, 240, 248, 336
7900 .....	168, 172, 174	18725.....	80, 84, 88
9213 .....	280	18738.....	82, 94
9333 .....	280	18768.....	206, 210, 212, 214, 218
13125.....	134, 166, 350, 382, 406, 426	18866.....	170, 172
13617.....	434	18867.....	332
14338.....	6, 426, 434, 444	18898.....	288
16010.....	164, 168	18916.....	170, 172, 174
16235.....	94	19542.....	136
16266.....	168	19634.....	164
16661.....	330, 426, 434, 444, 456	19809.....	382, 406
16681.....	80, 84, 88	19927.....	166
18523.....	112, 170	19957.....	12
18589.....	346, 424	19965.....	60, 112, 192, 194, 202, 210, 212, 218, 314, 428, 436
18590.....	60, 336	19966.....	58, 150, 164, 178, 222
18591.....	12, 94, 98, 110, 170, 232	20012.....	456
18592.....	96, 364	20055.....	86, 90
18593.....	8	20077.....	58, 200, 202, 216, 218, 228, 232, 246, 314
18596.....	196, 202	20078.....	108, 258
18597.....	336	20213.....	8, 16, 20
18598.....	6, 58, 222, 282, 336	20312.....	98, 332
18599.....	44, 58, 82, 84, 94, 110, 170, 182, 222, 290	20535.....	6, 48, 60
18600.....	98, 170, 290	21006.....	44
18601.....	8, 170, 286, 332	21010.....	166
18603.....	44, 48, 50, 52	21055.....	6, 164, 170
18604.....	56, 336	21056.....	2, 12, 110, 154, 170
18605.....	94, 336	21066.....	44, 60, 170
18607.....	80, 246	21069.....	52, 64
18608.....	332	21087.....	96
18609.....	2, 96, 318, 332	21102.....	144, 160, 336
18619.....	134	21153.....	166, 172, 174
18624.....	84, 90, 142, 152	21194.....	44
18626.....	98, 286	21218.....	110
18635.....	226, 232, 234, 240, 246	21235.....	278
18636.....	290	21264.....	8, 12, 222, 334
18637.....	4, 158, 200, 202, 216, 218, 222, 228, 232, 236, 240, 246, 290, 334, 418	21281.....	112
18638.....	194, 202, 212, 218, 222, 266, 282, 290	21282.....	346, 424
18639.....	290	21301.....	260
18640.....	296, 300, 304, 332, 418	21354.....	196, 202
18648.....	82, 84, 88, 94, 98, 136, 166, 172, 174, 286	21363.....	288
18652.....	290, 354, 400	21376.....	166, 172, 174
18654.....	4, 14, 16, 18, 20, 176	21383.....	4, 44, 68, 76, 144
18664.....	82	21403.....	112

## INDEX

21404.....	164	21863.....	4, 6, 46, 60, 62, 64, 82, 90, 110, 158, 162, 164, 172, 192, 210, 222, 248, 336
21425.....	288	21868.....	170, 346, 424
21447.....	102, 108	21881.....	230, 238, 244
21449.....	60	21887.....	166, 172, 174
21452.....	46, 48, 82, 304, 306	21926.....	336
21455.....	82, 110, 160, 224, 422, 424, 428, 444	21941.....	2, 18, 170
21456.....	290	21947.....	374, 412
21469.....	10, 12, 68, 76	21968.....	82, 90
21471.....	58, 346, 424	21975.....	64, 102
21472.....	16, 20, 46, 102, 108, 162, 222, 228, 232, 236, 240, 248, 290, 372	23163.....	342
21476.....	192, 200, 210, 216	23164.....	114
21484.....	98, 222	23165.....	342
21491.....	4, 44, 60, 82, 84, 90, 94, 98, 182, 196, 198, 202, 216, 218, 222, 232, 248, 300, 304	23745.....	362
21522.....	290	26429.....	136
21526.....	222	26671.....	106
21540.....	8, 170, 172, 174, 332	26846.....	288
21558.....	164	27647.....	354, 400
21560.....	170	29028.....	168
21561.....	48, 108, 112, 224	29934.....	396
21567.....	4, 158, 224, 228, 232, 236, 240, 248	30027.....	82, 84, 90, 94, 110
21568.....	160	30035.....	82
21570.....	232, 240, 248	30054.....	220, 230, 238, 244
21572.....	82, 422, 424, 428, 444	30191.....	296, 300, 304
21573.....	110, 160, 224	30203.....	288
21575.....	8, 60, 82, 86, 90, 94, 98, 152, 158, 194, 202, 212, 218, 266	30209.....	82, 84, 94, 96
21576.....	110, 170	30228.....	4, 6, 8, 12, 16, 20, 46, 60, 62, 64, 68, 76, 78, 82, 86, 90, 98, 102, 108, 110, 112, 144, 150, 158, 162, 164, 170, 172, 178, 188, 192, 194, 198, 202, 210, 212, 214, 218, 222, 228, 232, 236, 240, 246, 258, 290, 314, 336, 354, 372, 400, 428, 436
21577.....	172	30280.....	6, 96, 158, 164, 222, 236, 240, 246, 336, 366, 408
21578.....	170, 194, 202	30282.....	102, 106
21580.....	192, 210, 226, 232, 234, 240, 246	30284.....	102, 106
21581.....	98	30307.....	222
21583.....	44, 172	30314.....	226, 234, 246
21589.....	94, 98	30316.....	342
21590.....	228, 232, 236, 240, 246	30368.....	144
21591.....	170	30375.....	106
21594.....	266, 290	30376.....	52
21599.....	170	30433.....	226, 230
21746.....	220	30441.....	60, 96, 170
21760.....	192, 198, 210, 216	30463.....	332
21761.....	130	30504.....	6, 158, 236, 240, 246
21763.....	6, 52, 102, 106, 110, 160, 222, 256, 318, 340, 352, 356, 360, 366, 370, 386, 388, 396, 398, 402, 404, 408	30505.....	282, 286
21801.....	190, 198, 208, 214	30512.....	8, 12
21810.....	190, 194, 198, 202, 208, 214	30515.....	144
21821.....	2, 6, 82, 84, 90, 104, 108, 110, 232, 240, 248, 290	30516.....	168, 172, 174
21843.....	220, 232, 240, 246	30517.....	166, 172, 174
21854.....	192, 196, 198, 202, 210, 216, 222, 232, 240, 248	30520.....	94, 166, 172, 174
21856.....	370, 396	30523.....	74
21858.....	370, 396	30549.....	8, 96
21859.....	194, 202, 206, 212, 218	30551.....	220, 246
		30556.....	222, 230, 238, 244

## INDEX

30610.....	48, 50, 52	44611.....	342
30627.....	206, 210, 212, 216, 218, 334	45427.....	194, 202, 212, 218, 222
30628.....	264	48050.....	170
30630.....	306, 364	49227.....	102, 108, 318, 352, 356, 366, 370, 384, 396, 398, 408
30632.....	206, 210, 212, 216, 218, 356, 428	49232.....	102, 108, 354, 356, 366, 370, 396, 408
30636.....	236, 240	49306.....	194, 202, 206, 212, 218
30661.....	194, 202, 206, 212, 218	49341.....	96
30693.....	46, 222, 318	49378.....	134
30701.....	288	50019.....	220, 230, 238, 244
30702.....	288	50022.....	64, 82, 102
30715.....	268	50050.....	190, 198, 208, 214
30716.....	182, 184	50072.....	170
30753.....	102, 108, 110, 222, 320, 322, 374, 412, 454	50083.....	278
30759.....	228, 232, 248	50086.....	48, 50, 52
30811.....	96, 98	50101.....	178
30813.....	108, 366, 370, 386, 400, 408	50102.....	232, 240
30820.....	250	50103.....	64, 102, 106
30824.....	100	50104.....	52, 64, 190, 198, 208, 214
30833.....	170	50120.....	20
30873.....	190, 198, 208, 214	50139.....	268, 270, 450
30922.....	170	50154.....	282
30934.....	190, 194, 198, 202, 206, 208, 212, 214, 218	50155.....	282, 314
30936.....	104, 108	50174.....	166, 172, 174
30971.....	294, 298, 302, 304, 326	50175.....	50, 52, 198, 214
30981.....	52, 64	50178.....	108, 354, 356, 366, 386, 408
30999.....	64, 108	50184.....	74
31465.....	282	50186.....	12, 44, 60, 68, 76, 78, 82, 84, 90, 94, 96, 98, 144, 152, 158, 162, 170, 178, 182, 206, 212, 218, 248, 346, 424
31774.....	8, 12, 82, 84, 90, 334	50193.....	112
31889.....	316	50197.....	102, 108, 170
32070.....	114, 342	50219.....	318, 326, 366, 370, 384, 396, 408, 436
32247.....	382, 406	50220.....	294, 298, 302, 308, 326
33955.....	22	50223.....	296, 300, 304, 308, 322, 326
34980.....	20	50225.....	6, 98, 112, 164, 170, 172, 228, 232, 248, 362
35618.....	168	50226.....	10, 44
35694.....	166	100456.....	164, 170, 192, 200, 210, 216, 232, 240, 248
36651.....	342	100500.....	10, 22, 332
37167.....	366, 408	100532.....	44, 54
39272.....	164	100706.....	54
40095.....	310	100707.....	54
40628.....	164	100708.....	54
40701.....	102, 108, 352, 356, 366, 370, 384, 396, 398, 408	100709.....	54
40702.....	48, 50, 52, 102, 108, 318, 322, 352, 356, 366, 370, 384, 396, 398, 408	100710.....	54
40703.....	48, 50, 52, 322, 384	100712.....	54
40704.....	48, 50, 52, 322, 384	100714.....	54
40915.....	82, 86, 90, 142, 152	100715.....	54
41982.....	166, 172, 174	100716.....	54
42074.....	354, 356, 400, 426	100717.....	54
42292.....	340, 396	100718.....	54
42589.....	352, 356, 366, 370, 384, 396, 398, 408	100719.....	54
42592.....	60	100720.....	54
44209.....	296, 308, 322, 366, 408, 436	100721.....	54
44210.....	294, 298, 300, 306, 320, 326, 352, 356, 370, 384, 396, 426	100722.....	54

## INDEX

100723 .....	54	113435 .....	80, 84, 90, 94
100726 .....	54	113482 .....	114
100862 .....	260	113536 .....	160
101007 .....	166, 172, 174	113561 .....	160, 164, 382, 406
101897 .....	164, 198, 202, 214, 218	113566 .....	164
101898 .....	4, 12, 16, 20, 62, 82, 84, 90, 104, 112, 142, 164, 170	113814 .....	4
102264 .....	2, 134, 180	113937 .....	22
102509 .....	44	114120 .....	396
102629 .....	54	114140 .....	396
102630 .....	54	114142 .....	370, 396
102636 .....	12, 96, 170, 332	114143 .....	370, 396
103096 .....	54	114233 .....	82, 90
103351 .....	102, 106	115145 .....	116
103361 .....	12	115146 .....	116, 160, 230, 238
103562 .....	2, 18, 170	115147 .....	116, 160, 230, 238
103575 .....	316	115148 .....	160
103576 .....	108	115670 .....	22
103738 .....	80, 90, 190, 210, 222, 226, 230, 244, 320	115672 .....	300, 304
103879 .....	94	117015 .....	170
105066 .....	68, 76	118011 .....	260
105069 .....	82, 90	118137 .....	82, 84, 90, 94, 142, 152, 164, 434
105135 .....	68, 76	118154 .....	14, 16, 18, 20, 176
105136 .....	68, 76, 78, 178	118162 .....	14, 16, 18, 20
105141 .....	68, 76	118193 .....	14, 16, 18, 20, 102, 176
105364 .....	94	118239 .....	160, 164
108172 .....	206, 212, 218	118301 .....	16, 20, 146, 148
108233 .....	48, 50, 366, 370, 386, 400, 408	118302 .....	14, 18, 146, 148
109064 .....	330, 434	118344 .....	14, 16, 18, 20, 146, 148
109613 .....	338	118345 .....	16, 18, 20, 146, 148
109717 .....	178	118346 .....	14, 176
109773 .....	454	118347 .....	16, 176
109791 .....	316	118351 .....	14, 16, 176
109843 .....	114	118491 .....	22, 26, 34
111099 .....	8	119282 .....	180
111221 .....	114	119284 .....	180
111528 .....	318	119285 .....	180
111978 .....	220, 226, 230, 234, 238, 246	119384 .....	180
111981 .....	436	119392 .....	180
111982 .....	436	119415 .....	180, 186
111983 .....	436	119442 .....	180
111984 .....	436	119446 .....	180
111985 .....	436	119447 .....	180
111986 .....	436	119454 .....	180
112130 .....	286	119455 .....	180
112184 .....	190, 208	119457 .....	180, 186
112866 .....	296, 300, 302	119460 .....	180
112867 .....	302	119518 .....	186
112868 .....	296, 300, 302, 304	119519 .....	186
112935 .....	232, 240, 246	119530 .....	180, 186
113152 .....	54	119531 .....	186
113153 .....	54	119543 .....	180
113222 .....	10, 22, 332	119722 .....	180, 184
113229 .....	44	119723 .....	180, 184
113420 .....	76	119728 .....	180
		119729 .....	180

## INDEX

119747 .....	180	125236 .....	168
120009 .....	58	125256 .....	166
120058 .....	56	125294 .....	58
120127 .....	2	125343 .....	110
120140 .....	44	125363 .....	2
120141 .....	44	125377 .....	50, 52
120194 .....	44	125393 .....	112
120462 .....	58	125418 .....	2, 18
120558 .....	14, 16, 18, 20	125433 .....	96
120639 .....	16, 18, 20	125435 .....	96
120703 .....	8	125530 .....	44
120845 .....	56	125588 .....	56
120899 .....	44	125589 .....	56
120900 .....	44	125602 .....	56
120901 .....	44	125607 .....	56
120932 .....	158, 226, 234, 238, 244	125654 .....	332
120933 .....	158, 230, 244	125670 .....	52
123084 .....	440	125672 .....	52
123180 .....	272, 276, 380, 414, 422, 426, 432	125722 .....	50, 52, 106
123202 .....	440	125741 .....	62
123306 .....	56	125742 .....	62
123406 .....	282	125764 .....	44
123517 .....	12	125777 .....	52
123599 .....	106	125780 .....	52
123627 .....	84	129043 .....	26, 28, 30, 32, 34, 38, 40, 42
123660 .....	2	129148 .....	360, 404, 426
123661 .....	2	129149 .....	398
123670 .....	80	129297 .....	14, 16, 18, 20
123676 .....	106	129299 .....	26, 30, 32, 36, 40, 42
123681 .....	154	129313 .....	114
123682 .....	154	129481 .....	384
123702 .....	106	129577 .....	156
123751 .....	2	129578 .....	156
123752 .....	2	129581 .....	156
123755 .....	8, 12	129582 .....	156
123756 .....	8, 12	129584 .....	156
123788 .....	12	129589 .....	156
123950 .....	56	129772 .....	388
123951 .....	56	129773 .....	388
123952 .....	56	129800 .....	366, 408
123953 .....	56	129801 .....	366, 408
123954 .....	56	129965 .....	388
123955 .....	56	129976 .....	366, 408
123956 .....	56	129977 .....	366, 408
123957 .....	56	130283 .....	260
123978 .....	318	131391 .....	114
124338 .....	20, 148	131392 .....	114
124344 .....	20, 148	132033 .....	44
124775 .....	176	132246 .....	8
124880 .....	24	132248 .....	158, 226, 234, 238, 244
124881 .....	24	132253 .....	158, 230, 244
125145 .....	266	132254 .....	8
125146 .....	266	132257 .....	8
125176 .....	6	132303 .....	194, 202, 212, 218
125229 .....	222	132404 .....	20

## INDEX

132418 .....	222	134948 .....	402
132420 .....	2	134954 .....	110
132451 .....	58	135157 .....	46, 60, 62, 78, 82, 178, 282
132474 .....	98	135161 .....	456
132475 .....	98	135193 .....	104, 108, 200, 216
132476 .....	96	135213 .....	220, 226, 230, 234, 238, 244
132531 .....	56	135233 .....	110, 142, 160, 222
132532 .....	56	135234 .....	102, 106
132607 .....	56	135235 .....	230, 238, 244
132692 .....	58	135238 .....	436
132772 .....	48	135240 .....	50, 52
132773 .....	158, 220, 226, 230, 234, 238, 244	135241 .....	220
132777 .....	58	135248 .....	164, 192, 200, 210, 216, 232, 240, 248, 336
132852 .....	116	135267 .....	360, 404
132896 .....	22	135290 .....	280
132897 .....	24	135305 .....	336
132900 .....	48	135315 .....	8, 16, 20
132906 .....	8, 16, 20	135319 .....	136, 260
133047 .....	334	135337 .....	136, 150, 260, 264, 268, 346, 356, 370, 386, 424, 428, 436, 442, 450
133086 .....	342	135340 .....	2
133138 .....	382, 406	135358 .....	290, 418
133165 .....	314, 426, 434	135367 .....	96, 100, 248
133166 .....	314, 426, 434	135369 .....	10, 300, 304
133241 .....	364	135372 .....	48, 50, 52, 64
133242 .....	364	135381 .....	290, 418
133372 .....	260	135386 .....	220, 226, 230, 234, 238, 246
133421 .....	288	135397 .....	366, 408
133439 .....	382, 406	135400 .....	294, 298
133521 .....	108	135401 .....	308
133537 .....	342	135423 .....	336
133631 .....	310	135434 .....	222
133632 .....	310	135443 .....	64, 102, 106, 110, 198, 214, 222, 246, 340
133634 .....	310	135444 .....	102, 106, 198, 214, 322, 352, 356, 366, 370, 386, 396, 398, 408
133637 .....	310	135448 .....	112
133640 .....	310	135450 .....	188
133641 .....	310	135464 .....	12
133672 .....	344, 422	135507 .....	192, 194, 198, 202, 210, 212, 214, 218, 228, 232, 248
133683 .....	390	135511 .....	232, 240, 248
133716 .....	444	135523 .....	136
133781 .....	434, 444	135540 .....	220
133877 .....	276	135554 .....	294, 296, 300, 302, 304, 308, 322, 326
133942 .....	256	135579 .....	4, 138, 182, 222
133980 .....	344	135587 .....	326
133981 .....	344	135598 .....	352
133992 .....	168, 172	135613 .....	226, 230
133997 .....	426, 444	135623 .....	164
134002 .....	6	135626 .....	24, 26, 30, 32, 36, 40, 42, 260
134003 .....	6	135628 .....	24
134010 .....	110, 374, 396, 412	135630 .....	24, 260
134011 .....	110, 374, 396, 412	135632 .....	24
134053 .....	374, 412	135647 .....	198, 214
134438 .....	2	135655 .....	362
134442 .....	110		
134741 .....	110, 404		
134746 .....	340, 360, 374, 376, 388, 402, 404, 412		



## INDEX

135665 .....	222, 246	136113 .....	48, 206, 212, 218, 268
135671 .....	448	136137 .....	290
135685 .....	190, 208, 220, 246	136141 .....	350, 428
135691 .....	296	136151 .....	316, 320, 334, 338, 396, 448
135694 .....	290	136155 .....	300
135696 .....	136	136167 .....	434, 444
135704 .....	164	136178 .....	348, 382, 396, 406, 414, 446
135709 .....	232, 240, 246, 388	136181 .....	352
135716 .....	102	136209 .....	132, 354, 358, 368, 372, 386, 396, 400, 410
135718 .....	256	136231 .....	268
135723 .....	348, 414, 446	136246 .....	294, 298, 306
135734 .....	326	136248 .....	260
135737 .....	96	136265 .....	370
135748 .....	290	136266 .....	354, 356
135775 .....	326	136291 .....	282
135777 .....	308, 322	136300 .....	436
135778 .....	318, 396	136303 .....	326
135780 .....	366, 408, 436	136324 .....	256
135785 .....	180, 186, 206, 212, 218, 256, 264, 284, 286, 448	136325 .....	318, 354, 356, 366, 370, 386, 408
135786 .....	294, 298, 302, 326	136326 .....	354, 356, 370
135791 .....	326	136337 .....	322
135799 .....	136, 180, 186, 206, 212, 218, 256, 258, 260, 264, 268, 272, 282, 286, 290, 296, 300, 304, 314, 332, 344, 348, 350, 354, 358, 364, 366, 380, 382, 386, 396, 400, 406, 408, 414, 424, 428, 436, 446, 448	136339 .....	136
135800 .....	324	136342 .....	136
135818 .....	340	136347 .....	294, 298, 302, 326
135860 .....	354, 356	136378 .....	286
135865 .....	296, 300, 308, 318, 322, 326, 366, 370, 384, 396, 408	136410 .....	102, 106, 336, 448
135866 .....	304, 320, 322, 326, 366, 370, 384, 408, 436	136418 .....	326
135867 .....	294, 298, 302, 306, 320, 326, 352, 356, 396, 426	136431 .....	136, 142, 282, 290, 314, 344, 350, 362, 364, 382, 392, 394, 406, 422, 426, 430, 432, 436, 458
135868 .....	294, 298, 302, 322, 326	136440 .....	282, 290, 318
135873 .....	256, 452	136441 .....	48, 282
135890 .....	304	136447 .....	296, 300, 304
135894 .....	356, 428	136455 .....	290
135900 .....	284	136476 .....	350, 362, 428
135901 .....	294, 298, 302	136485 .....	136, 270, 354, 356, 366, 372, 386, 396, 400, 408, 430, 450
135903 .....	350, 426, 430, 436, 458	136503 .....	384
135906 .....	60	136506 .....	180, 382, 406
135917 .....	384	136519 .....	384
135957 .....	296, 300, 304, 326, 384	136561 .....	282, 324, 364, 442
135963 .....	192, 210	136596 .....	334
135995 .....	318, 332	136604 .....	442
136024 .....	296, 306, 308, 416	136613 .....	336, 442, 448
136036 .....	262, 382, 406	136625 .....	344, 362, 382, 392, 394, 406, 432
136050 .....	264	136635 .....	452
136089 .....	294, 298, 306	136652 .....	224
136095 .....	318, 326, 370, 384, 400	136654 .....	220
136106 .....	298	136655 .....	110, 340, 448
136108 .....	384	136684 .....	322
136110 .....	304, 306, 324	136699 .....	318
		136704 .....	334
		136736 .....	282
		136741 .....	370
		136748 .....	378, 442
		136757 .....	282

## INDEX

136759 .....	136, 236, 242, 276	137909 .....	68
136760 .....	320	137910 .....	76
136766 .....	294, 308	137913 .....	76
136773 .....	442	137915 .....	76
136841 .....	284	137916 .....	76
136846 .....	300	137917 .....	76
136868 .....	160	137918 .....	76
136886 .....	270, 460	137924 .....	144
137092 .....	66, 74	137968 .....	76
137118 .....	68, 76	137969 .....	76
137142 .....	66, 72	137970 .....	82, 90
137221 .....	80, 84, 88	137971 .....	66, 74
137277 .....	66, 72	137980 .....	66, 72
137285 .....	66, 72	138086 .....	160
137291 .....	80, 88	138087 .....	160
137315 .....	80, 84, 88	138744 .....	178
137347 .....	80, 88	139003 .....	54
137348 .....	82, 90	139630 .....	110, 160
137350 .....	80, 90	139631 .....	160
137352 .....	80, 88	139632 .....	160
137354 .....	80, 88	139633 .....	160
137356 .....	80, 90	140135 .....	14, 16, 18, 20
137375 .....	80, 82, 84, 88, 90, 190, 198, 208, 214	140225 .....	342
137415 .....	72	140250 .....	84
137416 .....	72	142777 .....	310
137451 .....	84	144321 .....	168
137456 .....	84	144324 .....	168
137476 .....	80, 84, 88	144374 .....	166
137503 .....	82, 92	144376 .....	168
137506 .....	66, 72	144378 .....	166, 172, 174
137515 .....	80, 88	144409 .....	168
137519 .....	74	144415 .....	164, 168
137523 .....	74	144425 .....	166
137529 .....	68, 74	144433 .....	168
137532 .....	66, 74	144471 .....	166
137535 .....	66, 72	144505 .....	168, 264
137536 .....	66, 72	144531 .....	166, 172, 174
137543 .....	66, 72	144577 .....	166
137568 .....	72	144724 .....	166
137569 .....	72	144739 .....	166
137570 .....	72	144741 .....	166
137571 .....	72	144742 .....	166
137626 .....	80, 84, 88, 94, 180	144860 .....	172
137691 .....	88	144873 .....	166
137699 .....	74	144880 .....	168, 172
137702 .....	82, 92	144899 .....	166, 172
137721 .....	80, 88	144934 .....	168, 172
137727 .....	10, 60, 192, 200, 210, 216	144935 .....	172
137753 .....	80, 84, 90	144956 .....	168
137754 .....	66, 74	144962 .....	168
137794 .....	144	144966 .....	168, 172
137795 .....	144	144968 .....	166
137825 .....	88	144971 .....	166
137826 .....	88	144976 .....	166
137827 .....	88	144989 .....	168

## INDEX

145106..... 56	163598..... 354, 356, 366, 370, 386, 396, 400, 408
145122..... 56	164061..... 80, 84, 90
145148..... 56	164109..... 88
145249..... 58	164126..... 80, 90
145345..... 56	164131..... 426, 434, 444
145357..... 56	164141..... 88
145361..... 58	164213..... 80, 84, 88
145428..... 56	164214..... 80, 84, 88
145461..... 96	164215..... 94
145492..... 10	164216..... 94
145548..... 56	164750..... 80, 88
145593..... 56	164754..... 78
145706..... 44	164773..... 96
145840..... 58	164780..... 94
148645..... 224	164781..... 94
148798..... 142	164800..... 96, 158
150890..... 310	164815..... 80, 88
150891..... 310	164817..... 80, 88
151551..... 16, 20	164821..... 84
151691..... 280	164825..... 96, 158
151793..... 280	164858..... 90
151941..... 392, 394, 432	164885..... 90
151942..... 392, 394, 432	164887..... 80, 84
152439..... 346, 362, 380, 424	164894..... 72
152520..... 262	164895..... 74
152655..... 136, 256, 318, 324, 348, 354, 356, 368, 372, 386, 388, 400, 410, 414, 436, 446	164930..... 80, 84
152668..... 224, 256, 270, 284, 334, 338, 378, 442, 448, 460	164933..... 80, 84, 90
152730..... 282, 344, 346, 350, 422, 424, 428	164934..... 94
152732..... 136, 300, 396	164945..... 80, 84, 94
152736..... 422, 426, 444	164947..... 88
152779..... 136	164948..... 88
152863..... 132	164953..... 80, 84
153151..... 366, 408	164955..... 80
153933..... 374, 412	164958..... 78
156037..... 288	164965..... 78
156051..... 316	164967..... 78
156501..... 168, 332	164988..... 188
156574..... 332	164993..... 188
156725..... 352, 356, 366, 370, 384, 396, 398, 408	164995..... 188
156741..... 332	165103..... 220, 226, 230, 234, 238, 244
156743..... 276, 284, 334	165168..... 112
156783..... 382, 406	165188..... 112
156839..... 332	165209..... 16, 176
156843..... 336	165218..... 114, 342
156948..... 362	165294..... 52
156969..... 336	165297..... 52
158080..... 350, 426	165380..... 220
158217..... 114	165386..... 112
158253..... 396	165429..... 112
158377..... 330, 434	165489..... 114
158704..... 336, 448	165490..... 114
159020..... 264	165524..... 6, 116
163184..... 384, 400	165588..... 112
	165594..... 8
	165722..... 112

## INDEX

165727	112	174256	52
165734	96	174257	50
165735	56	174262	220
165858	6	174263	220
165993	114	174270	44
166309	124	174299	52
166450	452	174300	52
166466	114	174304	44, 190, 198, 208, 214
170851	322	174318	220
171068	160	174321	220
171277	312	174322	220
172133	112	174324	220
172134	112	174333	98
172158	98	174391	2
172194	58	174416	10
172195	58	174418	10
172196	58	174422	220, 230, 238, 244
172197	58	174436	114, 342
172198	58	174499	48
172259	6, 60	174513	222
172340	194, 202, 212, 218	174514	222
172363	60	174521	222
172480	10	174538	222
172507	194, 202	174547	220
172511	194, 202	174585	220
172558	282	174586	222
172710	58	174632	114
172758	106	174676	114
172826	10	174684	114
172830	10	174714	56
172831	10	174769	266
172875	154	174816	332
172877	110, 234, 240	174845	22, 28, 30, 38, 40
172896	10	174849	66, 72
172922	98	174857	22
172924	8	174858	96
172976	8	174879	98
172978	102	174883	222
174035	194	174922	168, 172
174081	194, 202	174926	160
174082	194, 202	174992	44
174131	342	176009	8, 96, 100
174165	24	180094	302
174168	198, 214	183506	278
174176	202, 218	183508	280
174215	44	184372	114
174217	44	184422	114
174238	220	184437	444
174240	220	184440	424, 444
174242	220	184461	326, 356, 396, 426
174243	220	184462	300, 370, 396
174250	48	184463	320, 326, 370
174251	48	184572	346, 424
174253	52	184579	222
174254	50	184589	98, 196, 204, 436

## INDEX

184648 .....	150, 264, 370	187495 .....	288
184649 .....	268	187518 .....	282
184652 .....	182, 184, 264, 386	187520 .....	288
184655 .....	236, 240, 260	187524 .....	288
184656 .....	136	187550 .....	310, 432
184657 .....	256, 268, 272, 354, 356, 366, 380, 382, 386, 396, 400, 406, 408, 424	187551 .....	310
184661 .....	296	187553 .....	310, 432
184662 .....	258, 282, 290, 296, 300, 304, 314, 332, 344, 350, 364, 428, 436	187621 .....	318
184665 .....	136	187637 .....	318
184667 .....	290, 344, 346, 364, 422, 424, 436	187641 .....	336
184669 .....	236, 240, 362, 382, 392, 394, 406, 432, 436	187653 .....	336
184673 .....	136	187655 .....	336
184674 .....	236, 240	187658 .....	336
184675 .....	276, 382, 406	187659 .....	336
184683 .....	336, 442, 448	187660 .....	318
184688 .....	256	187694 .....	336
184694 .....	262	187696 .....	288
184695 .....	136, 282	187697 .....	288
184697 .....	436	187698 .....	288
184699 .....	438	187708 .....	336
184701 .....	442	187730 .....	318
184705 .....	282, 338, 364, 442, 448	187732 .....	258
184706 .....	270	187918 .....	294, 298, 302, 416
184708 .....	256	188467 .....	170
184709 .....	136, 182, 184, 264	190752 .....	264
184711 .....	264, 296, 300, 384, 400	190866 .....	384
184712 .....	334	191489 .....	346, 424, 436, 442
184714 .....	136, 296, 300, 306, 308, 344, 346, 350, 362, 364, 382, 392, 394, 406, 422, 424, 426, 432	191705 .....	296, 308
184717 .....	290, 350, 426, 430, 436, 458	193008 .....	166
184718 .....	6	193009 .....	168
187006 .....	362	193014 .....	168
187018 .....	352	193016 .....	168
187031 .....	352	193022 .....	168
187081 .....	440	193031 .....	166, 172, 174
187112 .....	256	193034 .....	114
187137 .....	272, 348, 380, 414, 424	193057 .....	164, 166
187252 .....	294, 298, 302, 416	193058 .....	164
187428 .....	280	193059 .....	164
187466 .....	288	193183 .....	164
187476 .....	288	193187 .....	164
187477 .....	288	193188 .....	164
187478 .....	288	193202 .....	164
187480 .....	288, 418	193211 .....	170
187481 .....	288	193212 .....	164
187482 .....	288	193214 .....	166, 172
187483 .....	290	193215 .....	166, 172
187484 .....	288	193216 .....	168
187485 .....	288	193217 .....	168
187486 .....	288	193240 .....	160
187487 .....	288	193241 .....	160
187492 .....	288	193242 .....	160
187494 .....	288	193243 .....	160
		194033 .....	296, 300, 304
		194082 .....	366, 384, 408
		194521 .....	342

## INDEX

197122 .....	282	213579 .....	458
197154 .....	438	213580 .....	458
197171 .....	132, 264, 450	213592 .....	362, 380
197229 .....	336, 448	213593 .....	362, 380
197230 .....	336, 442, 448	213605 .....	276
197263 .....	272, 276, 348, 380, 414, 422, 424, 428, 432, 446	213608 .....	276
197319 .....	362, 436	213613 .....	362, 380
197320 .....	362, 436	213614 .....	362, 380
202991 .....	234, 238	213649 .....	278
203547 .....	110	213654 .....	278
209032 .....	322	213656 .....	276
209045 .....	454	213657 .....	276
212250 .....	332	213659 .....	278
213084 .....	272, 348, 380, 414, 422, 424, 426, 432, 446	213660 .....	276
213097 .....	280	213679 .....	278
213098 .....	280	213731 .....	282
213110 .....	280	213733 .....	282
213112 .....	280	213734 .....	260
213153 .....	280	213743 .....	322
213167 .....	322	213750 .....	278
213174 .....	322	213753 .....	270
213182 .....	366, 408	213759 .....	270
213184 .....	366, 408	213764 .....	256
213204 .....	366, 408	213781 .....	342
213205 .....	366, 408	213783 .....	342
213211 .....	374, 412	213801 .....	278
213264 .....	398	213802 .....	278
213281 .....	352	213812 .....	454
213295 .....	450	213813 .....	454
213307 .....	318	213821 .....	332
213329 .....	322	213824 .....	388
213340 .....	268	213827 .....	320
213350 .....	366, 370, 408	213828 .....	320
213354 .....	366, 408	213833 .....	346, 424
213363 .....	318	213834 .....	346, 424
213374 .....	384	213843 .....	346, 424
213418 .....	258	213844 .....	346, 424
213419 .....	258	213845 .....	346, 424
213420 .....	280	213851 .....	278
213459 .....	454	213857 .....	280
213492 .....	270, 450	213859 .....	278
213493 .....	270, 450	213864 .....	322
213523 .....	458	213965 .....	352, 356, 366, 384, 398, 408
213525 .....	458	220010 .....	44
213546 .....	278	220011 .....	44
213552 .....	278	220012 .....	44
213554 .....	278	220013 .....	44
213557 .....	278	220025 .....	74
213561 .....	458	220084 .....	114
213562 .....	458	220099 .....	168
213567 .....	458	220101 .....	14, 16
213568 .....	458	220103 .....	14, 16
213573 .....	458	220107 .....	6
213574 .....	458	220114 .....	16, 18, 20
		220115 .....	18

## INDEX

220181..... 56	220814..... 126
220183..... 56	220817..... 122
220184..... 56	220818..... 122
220187..... 8	220819..... 122
220197..... 220	220820..... 122
220241..... 106	220821..... 122
220262..... 58	220823..... 122
220264..... 58	220824..... 122
220317..... 280	220831..... 124
220324..... 222	220832..... 124
220326..... 164	220833..... 124
220384..... 58	220834..... 124
220387..... 58	220835..... 126
220478..... 102, 106	220836..... 122
220553..... 10	220863..... 124
220554..... 8, 10	220868..... 124
220570..... 330, 434, 454	220869..... 124
220571..... 444	220870..... 124
220572..... 422, 424, 426, 444	220871..... 124
220589..... 106	220876..... 126
220590..... 106	220885..... 122
220591..... 106	220908..... 454
220597..... 106	220936..... 56
220598..... 106	220939..... 66, 72, 188
220607..... 106	220941..... 66, 72, 188
220608..... 102, 106	220944..... 56
220609..... 102, 106	220951..... 328
220610..... 102, 106	220959..... 384, 400
220611..... 102, 106	220960..... 328
220612..... 102, 106	220961..... 328
220613..... 102, 106	220963..... 328
220614..... 102, 106	220965..... 328
220615..... 106	229013..... 10
220616..... 106	229014..... 10
220617..... 106	229019..... 10
220625..... 102, 106	231368..... 258
220636..... 58	231389..... 288, 420
220637..... 58	231448..... 286
220638..... 58	231534..... 288, 420
220639..... 58	231647..... 260
220640..... 58	231765..... 264
220641..... 58	231766..... 264
220642..... 58	231799..... 268
220679..... 332	231800..... 268
220734..... 330, 460	232233..... 234, 238
220766..... 312	232650..... 336, 442, 448
220797..... 114	233371..... 206, 212, 218
220798..... 114	233395..... 194, 202
220799..... 114	233450..... 206, 212, 218
220807..... 126	233513..... 206, 212, 218
220808..... 126	233514..... 206, 210, 212, 214, 218
220809..... 126	233519..... 206, 212, 218
220810..... 126	233625..... 206, 210, 212, 214, 218
220811..... 126	233841..... 136
220813..... 126	237316..... 282, 382, 406

## INDEX

237363 .....	362	245816 .....	346, 424
237556 .....	438	245852 .....	346, 424
237563 .....	438	245915 .....	226, 230, 234, 238, 244
240010 .....	264	245926 .....	152
240012 .....	264	245928 .....	226, 234, 246
240013 .....	264	245931 .....	226, 232, 234, 240, 246
240101 .....	256	245936 .....	226, 234, 246
240254 .....	264	245943 .....	44
240264 .....	264	245946 .....	232, 240, 246
240418 .....	268	245955 .....	230, 238, 246
240455 .....	332	245956 .....	226, 232, 234, 240, 246
244671 .....	168	245962 .....	114
244722 .....	166	245966 .....	286
244727 .....	160	245992 .....	98
244748 .....	168	245993 .....	98
244760 .....	164	248089 .....	294, 306
245042 .....	56	248096 .....	276
245083 .....	74	248117 .....	276
245084 .....	66, 72	248144 .....	280
245093 .....	118	248145 .....	276
245122 .....	260	248232 .....	280
245159 .....	384	248261 .....	332
245160 .....	328	248285 .....	278
245199 .....	80, 84, 90	248348 .....	286
245246 .....	382, 406	248349 .....	286
245266 .....	72	248388 .....	280
245267 .....	72	248407 .....	288
245272 .....	76	248408 .....	288
245273 .....	76	248538 .....	276
245276 .....	76	248643 .....	336, 442, 448
245277 .....	76	248756 .....	256
245316 .....	260	248757 .....	256
245362 .....	142	248783 .....	448
245396 .....	112	248816 .....	448
245397 .....	112	248850 .....	290
245428 .....	120	248914 .....	264
245432 .....	120	248960 .....	352, 398
245433 .....	120	252076 .....	300, 304
245434 .....	120	252179 .....	180, 184
245435 .....	120	252187 .....	282
245438 .....	120	252188 .....	282
245439 .....	120	252198 .....	332
245441 .....	120	252208 .....	296, 300, 302
245443 .....	120	252210 .....	48, 50, 52, 64
245450 .....	178	252211 .....	48, 50, 52, 64
245476 .....	114	252272 .....	262
245477 .....	114	252288 .....	282
245590 .....	64	252296 .....	220, 226, 230, 234, 238, 246
245620 .....	288	252305 .....	170
245671 .....	96	252314 .....	222
245677 .....	2	252368 .....	232, 240, 246
245678 .....	2	252399 .....	230, 238, 244
245753 .....	322	252414 .....	48, 50, 52, 322
245763 .....	346, 424	252423 .....	54
245815 .....	346, 424	252517 .....	8



## INDEX

252537 .....	222	253680 .....	244
252541 .....	224, 236, 242	253681 .....	244
252542 .....	270, 450	253696 .....	244
252554 .....	322	253702 .....	226, 234, 246
252564 .....	332	253703 .....	232, 240, 246
252578 .....	220	253704 .....	226, 234, 246
252638 .....	282	253705 .....	232, 240, 246
252639 .....	282	253708 .....	226, 244
252640 .....	296, 300, 304	253709 .....	230, 244
252641 .....	300, 304	253722 .....	190, 210
252642 .....	296, 306	253728 .....	114
252650 .....	352	253815 .....	102, 106
252655 .....	136, 150, 366, 408	253839 .....	72
252662 .....	326	254089 .....	442
252681 .....	304	254095 .....	442
252687 .....	68, 76	254096 .....	442
252691 .....	282	254175 .....	160
252692 .....	318	254248 .....	190, 208
252693 .....	386	255004 .....	6
252694 .....	366, 408	255014 .....	118
252701 .....	260, 282	255019 .....	6
252703 .....	272, 276, 348, 380, 414, 422, 424, 428, 432, 446	255021 .....	118
252752 .....	44	255041 .....	6
252794 .....	190, 198, 210, 214	255115 .....	118
252795 .....	190, 198, 210, 214	255117 .....	118
252870 .....	12	255131 .....	118
252942 .....	64, 102	255133 .....	118
252993 .....	362	255259 .....	118
252996 .....	114, 342	255260 .....	118
253092 .....	90	255316 .....	118
253160 .....	56	255318 .....	118
253164 .....	6	255328 .....	110
253290 .....	94	255383 .....	56
253297 .....	6	255442 .....	2
253298 .....	6	255460 .....	232, 240, 246
253299 .....	6	255461 .....	230, 238, 244
253305 .....	102	255462 .....	230, 238, 244
253412 .....	96	255465 .....	250, 252
253446 .....	190, 198, 208, 214	255471 .....	230, 238, 244
253477 .....	228, 232, 236, 240, 246	255476 .....	252
253499 .....	2	255477 .....	252
253500 .....	160	255497 .....	250
253503 .....	72	255509 .....	246
253514 .....	76	255510 .....	246
253515 .....	76	255534 .....	252
253552 .....	2, 18	255535 .....	252
253570 .....	226, 230, 244	255536 .....	252
253582 .....	226, 230, 234, 238, 244	255537 .....	252
253601 .....	6	255538 .....	252
253602 .....	6	255539 .....	252
253624 .....	6	255540 .....	252
253627 .....	6	255541 .....	252
253668 .....	226, 230, 244	255542 .....	252
253678 .....	244	255543 .....	252
		255544 .....	252

## INDEX

255545 .....	252	276183 .....	282
255546 .....	252	276201 .....	448
255547 .....	252	276206 .....	278
255574 .....	250	276258 .....	280
255577 .....	250	276259 .....	342
255580 .....	250	276265 .....	276
255583 .....	250	276281 .....	336
255678 .....	6	276284 .....	352, 356, 366, 370, 384, 396, 398, 408
255679 .....	6	276285 .....	352, 356, 366, 370, 384, 396, 398, 408
255712 .....	70	276289 .....	346, 424
255716 .....	70	276298 .....	336
255735 .....	70	276326 .....	342
255738 .....	70	276352 .....	294, 298, 302, 418
255746 .....	70	276353 .....	288, 418
255749 .....	70	276381 .....	336
255791 .....	158	276560 .....	316
255829 .....	190, 198, 208, 214	276566 .....	314
255881 .....	190, 198	276567 .....	322
255883 .....	190, 194, 198, 202, 208, 212, 214, 218	276631 .....	454
255905 .....	70	276671 .....	454
255908 .....	70	276679 .....	288
255927 .....	130	276680 .....	290
255928 .....	130	276759 .....	378
255929 .....	130	276770 .....	450
255930 .....	130	276806 .....	388
255947 .....	250	276811 .....	288
258107 .....	404	276812 .....	288
258150 .....	2	276839 .....	276
258253 .....	160	276859 .....	294, 298, 302, 418
258262 .....	160	276863 .....	336
258391 .....	134	276871 .....	448
258876 .....	266	276899 .....	458
273078 .....	88	276900 .....	458
273258 .....	80, 88	279001 .....	230, 238, 244
273259 .....	80, 88	279011 .....	352, 356, 398, 426
273265 .....	72	279012 .....	352, 356, 398, 426
273304 .....	82, 86, 90	279013 .....	352, 356, 398
273347 .....	66, 72	279014 .....	398
273524 .....	68, 74	279017 .....	232, 240, 246
273536 .....	68, 74	279034 .....	352, 356, 398, 426
274414 .....	160	279035 .....	352, 356, 398, 426
276029 .....	286	279065 .....	164
276030 .....	286	279081 .....	290
276033 .....	316	279085 .....	114
276034 .....	316	279144 .....	222
276043 .....	336	279156 .....	220
276044 .....	336	279157 .....	220
276057 .....	336	279158 .....	220
276062 .....	268	279159 .....	220
276117 .....	268	279228 .....	384, 400
276118 .....	280	279261 .....	190, 208
276140 .....	280	279284 .....	64
276141 .....	280	279285 .....	64
276149 .....	288	279286 .....	64
276180 .....	280	279310 .....	22

## INDEX

279312 .....	22	279876 .....	132
279314 .....	24	279925 .....	198, 214
279316 .....	24	279926 .....	202, 218
279398 .....	26, 34	279979 .....	80, 84
279399 .....	26, 34	279996 .....	22
279401 .....	26	279997 .....	22
279402 .....	26	279999 .....	24
279403 .....	26	283002 .....	190, 198, 208, 214
279404 .....	26	283215 .....	388
279405 .....	28, 30, 38, 40	283613 .....	340
279406 .....	28, 30, 38, 40	284635 .....	114
279408 .....	28	284636 .....	114
279409 .....	28	284666 .....	126
279410 .....	28	284667 .....	126
279411 .....	30	284668 .....	122
279412 .....	34	284669 .....	122
279417 .....	34	284670 .....	124
279418 .....	34	284671 .....	124
279419 .....	34	284672 .....	120
279420 .....	34	284673 .....	120
279421 .....	34	284975 .....	452
279422 .....	34	287031 .....	446
279423 .....	34	287032 .....	446
279424 .....	34	287193 .....	328
279428 .....	38, 40	287227 .....	454
279430 .....	38	287272 .....	316
279431 .....	38	287312 .....	398
279432 .....	38	287344 .....	384
279433 .....	38	287449 .....	318
279434 .....	38	287450 .....	318
279435 .....	38	287451 .....	318
279436 .....	40	287456 .....	384
279437 .....	40	287460 .....	384
279468 .....	22	287461 .....	384
279485 .....	220	287462 .....	384
279494 .....	220	287465 .....	384
279498 .....	220	287466 .....	328
279499 .....	220	287467 .....	328
279528 .....	114	287468 .....	328
279575 .....	18, 130, 176	287469 .....	328
279636 .....	132	287470 .....	328
279641 .....	22, 28, 30, 38, 40	287471 .....	328
279642 .....	22, 26, 34	287472 .....	328
279689 .....	288	287473 .....	328
279700 .....	74	287537 .....	140
279718 .....	398	287587 .....	260
279737 .....	352	287613 .....	328
279746 .....	422, 424, 426, 444	287701 .....	332
279775 .....	198, 214	287702 .....	342
279797 .....	10	287705 .....	342
279798 .....	226, 230, 244	287719 .....	450
279832 .....	10	287749 .....	454
279848 .....	24	287760 .....	258
279850 .....	22	287768 .....	264
279851 .....	22	287771 .....	326, 328

## INDEX

287773 .....	268	294112 .....	44
287774 .....	268	294121 .....	102, 108
287784 .....	456	294221 .....	190, 208
287797 .....	454, 460	294222 .....	190, 208
287814 .....	310	294223 .....	190, 208
287859 .....	454	294224 .....	198, 214
287860 .....	398	294225 .....	198, 214
287861 .....	352, 356, 396, 398	294226 .....	190, 208
287862 .....	352, 356, 398	294263 .....	190, 198, 208, 214
287863 .....	352, 356, 398	294350 .....	436
287864 .....	384	294392 .....	160
287865 .....	384	294393 .....	222, 230, 238
287866 .....	384	294394 .....	356, 426
287870 .....	384	294424 .....	190, 198, 208, 214
287878 .....	352	294425 .....	194, 202, 212, 218
287879 .....	352, 356	294436 .....	194
287887 .....	272, 414, 446	294437 .....	194
287888 .....	272, 414, 446	294438 .....	194
287889 .....	272, 348, 380, 414, 424, 446	294460 .....	18
287890 .....	272, 348, 380, 414, 424, 446	294508 .....	226, 230
287894 .....	454	294514 .....	392, 394, 432
287907 .....	322	294515 .....	198
287908 .....	322	294516 .....	190
287909 .....	322	294517 .....	190
287910 .....	322	294518 .....	202
287911 .....	322	294519 .....	190
287912 .....	320	294598 .....	142, 152
287913 .....	320	294599 .....	142, 152
287914 .....	288	294601 .....	142, 152
287939 .....	264	294631 .....	80, 84, 90
287944 .....	454	294634 .....	80, 84, 90
287945 .....	454	294636 .....	128
287948 .....	450	294651 .....	128
287949 .....	450	294652 .....	128
291484 .....	336, 442, 448	294653 .....	128
291485 .....	336, 442, 448	294654 .....	128
293053 .....	270, 450	294655 .....	128
293054 .....	270	294656 .....	128
294007 .....	190, 198, 208, 214	294657 .....	128
294009 .....	190, 198, 210, 214	294658 .....	128
294036 .....	168	294659 .....	128
294037 .....	168	294660 .....	128
294057 .....	10	294661 .....	128
294059 .....	10	294669 .....	128
294060 .....	10	294671 .....	2
294062 .....	10	294672 .....	2
294063 .....	114	294673 .....	2
294065 .....	90	294674 .....	8
294068 .....	98	294675 .....	8
294069 .....	98	294677 .....	194, 202, 212, 218
294080 .....	106	294681 .....	2
294091 .....	168	294682 .....	190, 194, 198, 202
294094 .....	168	294791 .....	38
294097 .....	398	294792 .....	38
294098 .....	352	294793 .....	38

## INDEX

294794 .....	40	301497 .....	124
294795 .....	28	301513 .....	332
294796 .....	28	301629 .....	382, 406
294797 .....	30	301663 .....	288
294807 .....	164	301693 .....	366, 374, 408, 412
294813 .....	114	301704 .....	310, 434
294814 .....	190, 198, 208, 214	301726 .....	450
294815 .....	164	301763 .....	436
294832 .....	296, 306	301764 .....	436
294833 .....	294, 298, 306	301765 .....	436
294849 .....	176	301766 .....	436
294858 .....	58	301805 .....	286
294859 .....	58	301806 .....	286
294890 .....	294	301807 .....	286
294928 .....	194, 202	301810 .....	280
294938 .....	322	301865 .....	448
294947 .....	22, 32, 42	301902 .....	290
294949 .....	316	301912 .....	280
294985 .....	226, 230	301955 .....	280
294995 .....	232, 240	301992 .....	280
295013 .....	378	301993 .....	280
295139 .....	296, 306	301994 .....	280
295140 .....	296, 308	301996 .....	310
295142 .....	450	301997 .....	312
295143 .....	450	302030 .....	356, 426
295179 .....	448	302204 .....	114, 342
295211 .....	264	304017 .....	82, 84
295212 .....	264	304018 .....	90
295213 .....	264	304019 .....	94
295215 .....	264	304021 .....	178
295216 .....	264	304031 .....	64
295261 .....	268	304034 .....	332
295401 .....	378	304035 .....	332
295542 .....	268	304040 .....	268
295691 .....	64	304083 .....	118
295710 .....	390	304084 .....	118
295927 .....	322	304090 .....	10
295981 .....	256	304111 .....	330, 460
295998 .....	294, 298, 302, 416	304114 .....	118
296554 .....	194, 212	304115 .....	118
296556 .....	190, 210	304116 .....	118
300536 .....	434	304117 .....	118
300978 .....	434	304118 .....	118
301104 .....	390	304119 .....	118
301126 .....	268	304122 .....	118
301127 .....	268	304123 .....	118
301185 .....	434	304140 .....	118
301193 .....	434	304141 .....	118
301200 .....	434	304142 .....	118
301202 .....	434	304143 .....	118
301369 .....	120	304144 .....	118
301441 .....	280	304158 .....	270
301451 .....	350, 426	304159 .....	270
301495 .....	126	304210 .....	330, 434, 454, 460
301496 .....	122	304211 .....	330, 434, 454, 460

## INDEX

304216 .....	330, 454, 460	304865 .....	114
304221 .....	96	304916 .....	10
304222 .....	98	304917 .....	10
304254 .....	454	304918 .....	10
304257 .....	62	304919 .....	10
304258 .....	62	304920 .....	10
304263 .....	58	304926 .....	264
304307 .....	10	304927 .....	264
304314 .....	98	304931 .....	280
304316 .....	58	304954 .....	68, 74
304317 .....	58	304955 .....	66, 72, 74
304325 .....	256	304956 .....	88
304370 .....	454	304982 .....	434, 444
304376 .....	454	304985 .....	148
304377 .....	454	304986 .....	148
304382 .....	264	304987 .....	148
304385 .....	110	304988 .....	148
304386 .....	110	304989 .....	148
304387 .....	110	304990 .....	146
304388 .....	110	304991 .....	146
304454 .....	260	304992 .....	146
304494 .....	272	304993 .....	146
304514 .....	278	308015 .....	314
304520 .....	278	308056 .....	282
304521 .....	280	308124 .....	314
304533 .....	434, 444	308133 .....	280
304547 .....	128	308134 .....	278
304548 .....	128	308187 .....	280
304560 .....	6	308642 .....	276
304561 .....	6	308850 .....	278
304576 .....	360	308859 .....	282
304611 .....	254	308871 .....	272
304612 .....	254	311466 .....	294, 308
304614 .....	254	311491 .....	318
304615 .....	254	311524 .....	66
304616 .....	254	311615 .....	66, 74
304617 .....	254	311617 .....	66, 72
304618 .....	254	311620 .....	88
304619 .....	254	311707 .....	360, 426
304620 .....	254	311750 .....	318
304621 .....	254	311859 .....	8, 332
304622 .....	254	312706 .....	256, 452
304623 .....	254	312908 .....	342
304624 .....	254	313461 .....	134
304625 .....	254	313873 .....	112
304668 .....	316	313875 .....	112
304669 .....	382, 406	314306 .....	310, 426
304674 .....	336	314307 .....	434
304748 .....	260	314627 .....	434
304775 .....	270	314653 .....	312
304779 .....	270	314656 .....	310
304783 .....	56	314657 .....	310
304786 .....	270	314658 .....	312
304799 .....	266	314678 .....	350, 426
304800 .....	418	314684 .....	434

## INDEX

320031..... 60	326181..... 98
320116..... 298, 302	326192..... 98
320190..... 136	326207..... 66
320220..... 136, 138	326208..... 66
320237..... 284	326217..... 294
320284..... 384, 400	326218..... 294, 298
320360..... 322	326222..... 302
320392..... 400	326231..... 306, 324
320397..... 256	326237..... 302
320404..... 136, 138	326240..... 322
320414..... 298	326242..... 322
320415..... 298, 308	326243..... 322
320417..... 302, 308	326286..... 294, 298
320438..... 302	326292..... 298
322113..... 434	326293..... 300
322145..... 332	326294..... 300
322198..... 312	326296..... 302
322199..... 312	326297..... 304
322202..... 312	326298..... 304
322203..... 312	326299..... 306
322205..... 312	326300..... 308
322207..... 312	328356..... 382, 406
322208..... 312	328372..... 364
322209..... 312	328381..... 364
322210..... 312	328500..... 282
322211..... 312	328582..... 382, 406
322212..... 312	335008..... 356, 426
322234..... 312	335059..... 356, 426
322257..... 312	335171..... 260
322258..... 312	335173..... 260
322259..... 312	335242..... 272, 276, 278
322692..... 370	335244..... 272
322695..... 370	335245..... 272
322739..... 370	335286..... 258
322742..... 370	335301..... 134
322744..... 370	335326..... 22
322748..... 376	335336..... 208
322751..... 370	335337..... 212
322752..... 370	335341..... 384
323936..... 388	335342..... 400
326024..... 194	335354..... 282
326025..... 190	335446..... 294
326072..... 110	335447..... 294
326075..... 48	335464..... 440
326078..... 48	335478..... 208
326086..... 190, 208	335480..... 212
326093..... 102	335484..... 34
326096..... 102	335485..... 34
326097..... 98	335486..... 34
326100..... 102	335487..... 34
326152..... 128	335489..... 26
326153..... 128	335490..... 26
326165..... 56	335491..... 26
326166..... 56	335492..... 26
326180..... 194, 212	335509..... 42

## INDEX

335510.....	42	335844.....	150
335511.....	42	335849.....	382, 406
335512.....	42	335864.....	234
335513.....	32	335866.....	238
335514.....	32	335867.....	234, 238
335515.....	32	335869.....	226, 230
335516.....	32	335906.....	362
335519.....	42	335965.....	114
335521.....	42	335966.....	98
335522.....	42	335967.....	98
335523.....	42	337043.....	382, 406
335526.....	42	337143.....	272, 276, 380, 414, 422, 426, 432
335527.....	42	337152.....	272, 276, 380, 414, 422, 426, 432
335528.....	42	337163.....	396
335529.....	42	337168.....	402
335530.....	32	337173.....	396
335531.....	32	337174.....	396
335532.....	42	337175.....	396
335533.....	32, 42	337177.....	396
335534.....	32, 42	337178.....	396
335535.....	32	337206.....	276
335536.....	32	337284.....	278
335589.....	194, 202, 206	337941.....	346
335592.....	212, 218	337943.....	346
335598.....	218	337980.....	356, 426
335600.....	214	339588.....	302
335608.....	112	340210.....	134
335610.....	206	340212.....	134
335615.....	206, 212, 218	340681.....	150
335622.....	206	347077.....	382, 406
335625.....	206, 212, 218	347141.....	362
335637.....	260	347154.....	430
335638.....	8	347167.....	430
335686.....	212	347173.....	430
335687.....	212	347179.....	394, 432
335695.....	460	347180.....	394, 432
335707.....	208	347300.....	362
335708.....	208	347301.....	394, 432
335719.....	208, 214	347339.....	260
335743.....	332	347487.....	260
335752.....	2	347565.....	260
335759.....	234, 238	347691.....	264
335760.....	234, 238	347692.....	264
335773.....	150	347731.....	364
335779.....	234, 238	347964.....	364
335784.....	234, 238	347965.....	364
335785.....	234, 238	357233.....	414
335800.....	150	357234.....	414
335801.....	150	360004.....	134
335802.....	150	360069.....	134
335803.....	150	360072.....	134
335804.....	150	360076.....	134
335805.....	150	360077.....	134
335810.....	234, 238	360079.....	134
335832.....	150	360103.....	134



## INDEX

360105.....	136	B6179.....	174
360106.....	134	B6191.....	418
360108.....	134	B6192.....	418
360110.....	134	B6193.....	416
360114.....	134	B6194.....	416
360119.....	134	B6195.....	420
360120.....	134	B6211.....	448
360122.....	134	B6212.....	140
360134.....	134	B6213.....	458
360168.....	134	B6247.....	252
360265.....	138	B6248.....	252
360266.....	138	B6249.....	252
360267.....	138	B6250.....	252
360269.....	138	B6265.....	250
360333.....	138	B6344.....	70
360336.....	138	B6345.....	70
360342.....	138	B6347.....	70
360720.....	136	B6376.....	132
360723.....	134	B6400.....	446
360734.....	136	B6410.....	226, 230, 234, 238
360847.....	136	B6411.....	130
360848.....	134	B6421.....	378
360850.....	136	B6449.....	166
360862.....	136	B6450.....	268
360863.....	136	B6458.....	266
360939.....	134	B6568.....	434
360940.....	134	B6590.....	142
368457.....	260	B6591.....	152
368458.....	260	B6595.....	310
368459.....	260	B6596.....	310
		B6600.....	278
		B6606.....	160
		B6607.....	160
		B6634.....	178
		B6677.....	18, 20, 176
		B6678.....	18, 20, 176
		B6679.....	18, 20, 176
		B6680.....	18, 20, 176
		B6701.....	454
		B6702.....	454
		B6703.....	454
		B6849.....	364
		B6881.....	422
		B6882.....	426
		B6886.....	380
		B6887.....	432
		B6890.....	98
		B6957.....	432
		B6958.....	424
		B6959.....	362
		B6960.....	382
		B6961.....	406
		B6962.....	394
		B6963.....	394
		B6964.....	346
<b>B</b>			
B4831.....	144		
B4963.....	112		
B5084.....	156		
B5085.....	156		
B5224.....	166		
B5605.....	158		
B5609.....	154		
B5615.....	112		
B5657.....	70		
B5674.....	70		
B5825.....	188		
B5826.....	188		
B5938.....	70		
B6042.....	458		
B6043.....	458		
B6044.....	458		
B6045.....	458		
B6046.....	458		
B6137.....	244		
B6138.....	244		
B6145.....	164		
B6158.....	158		

## INDEX

B6965.....	344
B6966.....	350
B6981.....	66
B6982.....	176
B7269.....	180
B7273.....	184
B7282.....	186
B7283.....	186
B7284.....	186
B7285.....	186
B7343.....	414
B7344.....	414
B7345.....	414
B7346.....	134
B7384.....	138
B7542.....	452
B9009.....	208
B9010.....	208
B9011.....	208
B9012.....	208
B9030.....	392
B9044.....	208
B9045.....	208
B9046.....	208
B9047.....	208
B9048.....	234
B9049.....	214
B9050.....	214
B9051.....	238
B9053.....	112

## C

C1986.....	172
C2082.....	180
C2083.....	180
C2084.....	180
C2085.....	180



# MacDon®

**CUSTOMERS**  
**MacDon.com**

**DEALERS**  
**Portal.MacDon.com**

Trademarks of products are the marks of their  
respective manufacturers and/or distributors.

Printed in Canada