

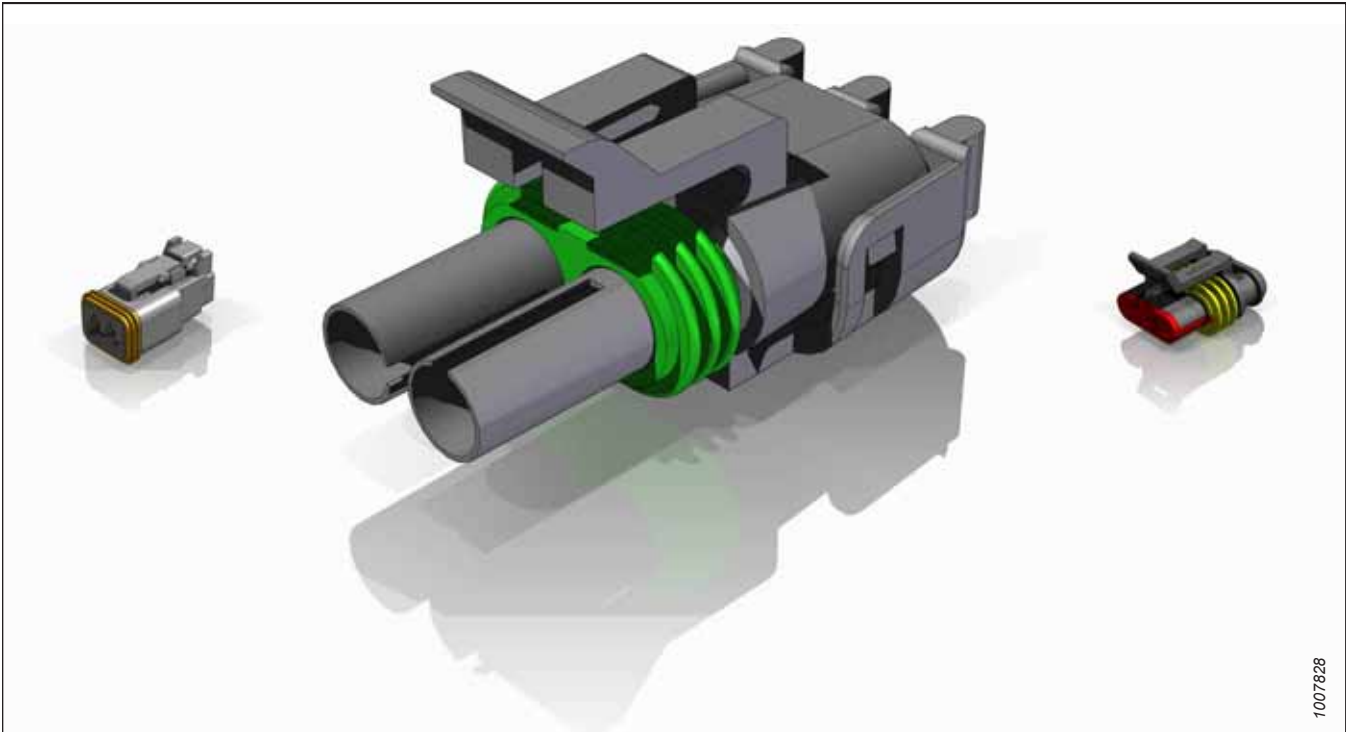
Electrical Connectors

Parts Catalog

169641 Revision H

Original Instruction

Electrical Connectors



Published: April 2024

© 2024 MacDon Industries, Ltd.

The information in this publication is based on the information available and in effect at the time of printing. MacDon Industries, Ltd. makes no representation or warranty of any kind, whether expressed or implied, with respect to the information in this publication. MacDon Industries, Ltd. reserves the right to make changes at any time without notice.

Introduction

This Parts Catalog lists the replacement electrical connector parts that are currently used for existing MacDon products. Some parts can be ordered through MacDon, but the majority of parts can be sourced through the manufacturer with a list of manufacturer part numbers.

When ordering electrical connector parts, provide the full and correct part number.

Bold text is used to indicate updates made at the current revision level. With each new revision of the parts catalog, previous updates are returned to regular text.

NOTE:

Keep your MacDon publications up-to-date. The most current version of this catalog can be downloaded from our website (www.macdon.com) or from our Dealer-only site (<https://portal.macdon.com>) (login required).

Summary of Changes – Electrical Connectors (169641, Rev. H)

This list covers changes made since the last revision (169641, Rev. G).

Section	Summary of Change	Internal Use Only
<i>3.43 , page 65</i>	Added topic.	Technical Publications
<i>3.45 , page 67</i>	Added topic.	Technical Publications
<i>3.46 , page 68</i>	Added topic.	Technical Publications
<i>3.47 , page 69</i>	Added topic.	Technical Publications
<i>3.48 , page 70</i>	Added topic.	ECN 63182
<i>4.1 , page 71</i>	Added topic.	Technical Publications
<i>4.35 , page 105</i>	Added topic.	Technical Publications
<i>5.23 , page 129</i>	Added topic.	Technical Publications
<i>5.30 , page 136</i>	Added topic.	Technical Publications
<i>5.36 , page 142</i>	Added topic.	Technical Publications
<i>5.37 , page 143</i>	Added topic.	Technical Publications
<i>5.38 , page 144</i>	Added topic.	Technical Publications
<i>5.39 , page 145</i>	Added topic.	Technical Publications
<i>6.7 , page 153</i>	Added topic.	Technical Publications
<i>6.11 , page 157</i>	Added topic.	Technical Publications
<i>7.30 , page 188</i>	Added topic.	Technical Publications
<i>7.31 , page 189</i>	Added topic.	Technical Publications
<i>9.4 , page 200</i>	Added topic.	Technical Publications
<i>9.12 , page 208</i>	Added topic.	Technical Publications
<i>10.11 , page 231</i>	Added topic.	ECN 62721
<i>12.32 , page 272</i>	Added topic.	Technical Publications
<i>12.33 , page 273</i>	Added topic.	Technical Publications
<i>12.34 , page 274</i>	Added topic.	Technical Publications

Section	Summary of Change	Internal Use Only
<i>12.35 , page 275</i>	Added topic.	Technical Publications
<i>15.7 , page 297</i>	Added topic.	Technical Publications
<i>15.8 , page 298</i>	Added topic.	Technical Publications
<i>15.9 , page 299</i>	Added topic.	Technical Publications
<i>15.10 , page 300</i>	Added topic.	Technical Publications
<i>16.5 , page 305</i>	Added topic.	Technical Publications
<i>16.6 , page 306</i>	Added topic.	Technical Publications
<i>20.4 , page 338</i>	Added topic.	Technical Publications
<i>22.11 , page 353</i>	Added topic.	Technical Publications
<i>22.12 , page 354</i>	Added topic.	Technical Publications
<i>30.1 , page 379</i>	Added topic.	Technical Publications
<i>30.2 , page 380</i>	Added topic.	Technical Publications
<i>35.1 , page 389</i>	Added topic.	Technical Publications
<i>37.1 , page 393</i>	Added topic.	Technical Publications

TABLE OF CONTENTS

Introduction i

Summary of Changes – Electrical Connectors (169641, Rev. H)..... ii

Chapter 1: General Connector Information..... 1

 1.1 Connector Summary 1

 1.2 Connector Types 6

 1.3 Disconnecting Connectors 7

 1.4 Repairing Deutsch Connectors: Removing Contacts 11

 1.5 Repairing Deutsch Connectors: Replacing Contacts..... 13

 1.6 Repairing Deutsch Connectors: Inserting Pins or Contacts..... 15

Chapter 2: One-Position Connectors 17

 2.1 17

 2.2 18

 2.3 19

 2.4 20

 2.5 21

 2.6 22

Chapter 3: Two-Position Connectors 23

 3.1 23

 3.2 24

 3.3 25

 3.4 26

 3.5 27

 3.6 28

 3.7 29

 3.8 30

 3.9 31

 3.10 32

 3.11 33

 3.12 34

 3.13 35

 3.14 36

 3.15 37

 3.16 38

 3.17 39

 3.18 40

 3.19 41

 3.20 42

 3.21 43

TABLE OF CONTENTS

3.22	44
3.23	45
3.24	46
3.25	47
3.26	48
3.27	49
3.28	50
3.29	51
3.30	52
3.31	53
3.32	54
3.33	55
3.34	56
3.35	57
3.36	58
3.37	59
3.38	60
3.39	61
3.40	62
3.41	63
3.42	64
3.43	65
3.44	66
3.45	67
3.46	68
3.47	69
3.48	70
Chapter 4: Three-Position Connectors	71
4.1	71
4.2	72
4.3	73
4.4	74
4.5	75
4.6	76
4.7	77
4.8	78
4.9	79
4.10	80
4.11	81

TABLE OF CONTENTS

4.12	82
4.13	83
4.14	84
4.15	85
4.16	86
4.17	87
4.18	88
4.19	89
4.20	90
4.21	91
4.22	92
4.23	93
4.24	94
4.25	95
4.26	96
4.27	97
4.28	98
4.29	99
4.30	100
4.31	101
4.32	102
4.33	103
4.34	104
4.35	105
Chapter 5: Four-Position Connectors	107
5.1	107
5.2	108
5.3	109
5.4	110
5.5	111
5.6	112
5.7	113
5.8	114
5.9	115
5.10	116
5.11	117
5.12	118
5.13	119
5.14	120

TABLE OF CONTENTS

5.15	121
5.16	122
5.17	123
5.18	124
5.19	125
5.20	126
5.21	127
5.22	128
5.23	129
5.24	130
5.25	131
5.26	132
5.27	133
5.28	134
5.29	135
5.30	136
5.31	137
5.32	138
5.33	139
5.34	140
5.35	141
5.36	142
5.37	143
5.38	144
5.39	145
Chapter 6: Five-Position Connectors.....	147
6.1	147
6.2	148
6.3	149
6.4	150
6.5	151
6.6	152
6.7	153
6.8	154
6.9	155
6.10	156
6.11	157

TABLE OF CONTENTS

Chapter 7: Six-Position Connectors..... 159

7.1 159

7.2 160

7.3 161

7.4 162

7.5 163

7.6 164

7.7 165

7.8 166

7.9 167

7.10 168

7.11 169

7.12 170

7.13 171

7.14 172

7.15 173

7.16 174

7.17 175

7.18 176

7.19 177

7.20 178

7.21 179

7.22 180

7.23 181

7.24 182

7.25 183

7.26 184

7.27 185

7.28 186

7.29 187

7.30 188

7.31 189

Chapter 8: Seven-Position Connectors 191

8.1 191

8.2 192

8.3 193

8.4 194

8.5 195

TABLE OF CONTENTS

Chapter 9: Eight-Position Connectors 197

9.1 197

9.2 198

9.3 199

9.4 200

9.5 201

9.6 202

9.7 203

9.8 204

9.9 205

9.10 206

9.11 207

9.12 208

9.13 209

9.14 210

9.15 211

9.16 212

9.17 213

9.18 214

9.19 215

9.20 216

9.21 217

9.22 218

9.23 219

9.24 220

Chapter 10: Nine-Position Connectors 221

10.1 221

10.2 222

10.3 223

10.4 224

10.5 225

10.6 226

10.7 227

10.8 228

10.9 229

10.10 230

10.11 231

TABLE OF CONTENTS

Chapter 11: Ten-Position Connectors 233

 11.1 233

 11.2 234

 11.3 235

 11.4 236

 11.5 237

 11.6 238

 11.7 239

Chapter 12: 12-Position Connectors 241

 12.1 241

 12.2 242

 12.3 243

 12.4 244

 12.5 245

 12.6 246

 12.7 247

 12.8 248

 12.9 249

 12.10 250

 12.11 251

 12.12 252

 12.13 253

 12.14 254

 12.15 255

 12.16 256

 12.17 257

 12.18 258

 12.19 259

 12.20 260

 12.21 261

 12.22 262

 12.23 263

 12.24 264

 12.25 265

 12.26 266

 12.27 267

 12.28 268

 12.29 269

TABLE OF CONTENTS

12.30	270
12.31	271
12.32	272
12.33	273
12.34	274
12.35	275
Chapter 13: 14-Position Connectors	277
13.1	277
13.2	278
13.3	279
13.4	280
13.5	281
13.6	282
13.7	283
13.8	284
13.9	285
13.10	286
13.11	287
Chapter 14: 16-Position Connectors	289
14.1	289
Chapter 15: 18-Position Connectors	291
15.1	291
15.2	292
15.3	293
15.4	294
15.5	295
15.6	296
15.7	297
15.8	298
15.9	299
15.10	300
Chapter 16: 19-Position Connectors	301
16.1	301
16.2	302
16.3	303
16.4	304
16.5	305

TABLE OF CONTENTS

16.6 306

Chapter 17: 20-Position Connectors 307

17.1 307

17.2 308

17.3 309

Chapter 18: 21-Position Connectors 311

18.1 311

18.2 312

18.3 313

18.4 314

18.5 315

18.6 316

18.7 317

18.8 318

18.9 319

18.10 320

18.11 321

18.12 322

Chapter 19: 23-Position Connectors 323

19.1 323

19.2 324

19.3 325

19.4 326

19.5 327

19.6 328

19.7 329

19.8 330

19.9 331

19.10 332

19.11 333

Chapter 20: 24-Position Connectors 335

20.1 335

20.2 336

20.3 337

20.4 338

Chapter 21: 26-Position Connectors 339

21.1 339

TABLE OF CONTENTS

21.2	340
21.3	341
Chapter 22: 29-Position Connectors	343
22.1	343
22.2	344
22.3	345
22.4	346
22.5	347
22.6	348
22.7	349
22.8	350
22.9	351
22.10	352
22.11	353
22.12	354
22.13	355
22.14	356
22.15	357
Chapter 23: 30-Position Connectors	359
23.1	359
23.2	360
Chapter 24: 31-Position Connectors	361
24.1	361
24.2	362
24.3	363
24.4	364
24.5	365
24.6	366
24.7	367
24.8	368
Chapter 25: 35-Position Connectors	369
25.1	369
25.2	370
Chapter 26: 36-Position Connectors	371
26.1	371

TABLE OF CONTENTS

Chapter 27: 40-Position Connectors	373
27.1	373
Chapter 28: 42-Position Connectors	375
28.1	375
28.2	376
Chapter 29: 44-Position Connectors	377
29.1	377
Chapter 30: 48-Position Connectors	379
30.1	379
30.2	380
Chapter 31: 50-Position Connectors	381
31.1	381
Chapter 32: 54-Position Connectors	383
32.1	383
Chapter 33: 60-Position Connectors	385
33.1	385
Chapter 34: 64-Position Connectors	387
34.1	387
Chapter 35: 66-Position Connectors	389
35.1	389
Chapter 36: 70-Position Connectors	391
36.1	391
Chapter 37: 73-Position Connectors	393
37.1	393
Chapter 38: 81-Position Connectors	395
38.1	395
Chapter 39: 96-Position Connectors	397
39.1	397
39.2	398
Chapter 40: Extraction Tools	399
40.1	399
40.2	400
40.3	401

TABLE OF CONTENTS

40.4	402
40.5	403
40.6	404
Chapter 41: Crimper Tools.....	405
41.1	405
Chapter 42: Cavity Plugs.....	407
42.1	407
Index.....	409

Chapter 1: General Connector Information

1.1 Connector Summary

An electrical connector is a device that joins electrical terminations to create an electrical circuit. Electrical connectors consist of plugs (male-ended) and receptacles (female-ended).

Connectors have an external housing (or shell) and three key components:

- **Terminals** are the parts of the connector that make the electrical connection. They are made up of a pair of parts that connect to each other; pins connect to sockets and tabs connect to receptacles.
- **Seals** keep moisture and dust away from the electrical connection. There are four different types of seals: individual wire seal, band or ring seal (front or internal), seal plug, and gang terminal seal (front and rear). Many connectors have more than one seal. Sealed connectors do not use dielectric grease. Some connectors do not have seals and use dielectric grease to seal the connector off from the environment.
- **Locks** keep the wire connection from becoming disconnected. There are three types of locks: internal terminal locks, secondary locks, and main locks. Most connectors have more than one lock.

Most connectors have six components:

- (A) Pin contact¹
- (B) Receptacle housing
- (C) Receptacle wedgelock
- (D) Plug wedgelock
- (E) Plug housing
- (F) Socket contact

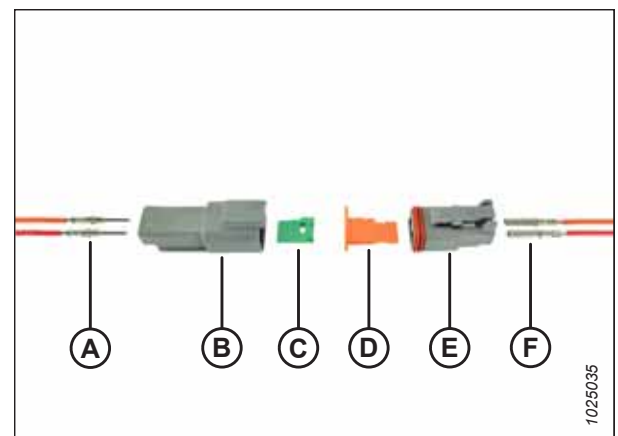


Figure 1.1: Connector

1. There are two options for pin contacts: stamped and solid.

GENERAL CONNECTOR INFORMATION

Terminals are the parts of the connector that make the electrical connection. They are made up of a pair of parts that connect to each other:

- Pins (A) connect with sockets (B)
- Tab (C) connects with receptacles (D)

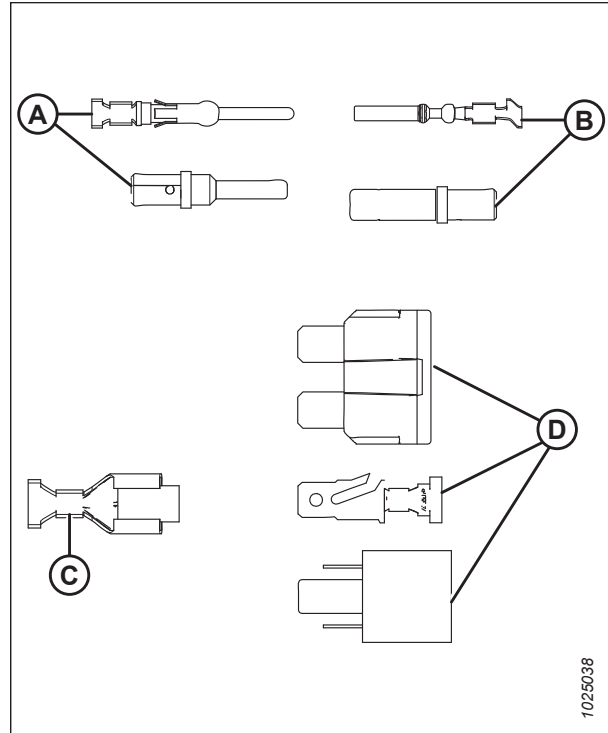


Figure 1.2: Terminals

A sealed connector means the terminal pairs are protected from the environment. The seal is meant to keep moisture and contaminants away from the electrical connection. There are different types of seals, and some connectors have more than one type.

- (A) Individual wire seal
- (B) Gang terminal seal – front and rear
- (C) Seal plugs

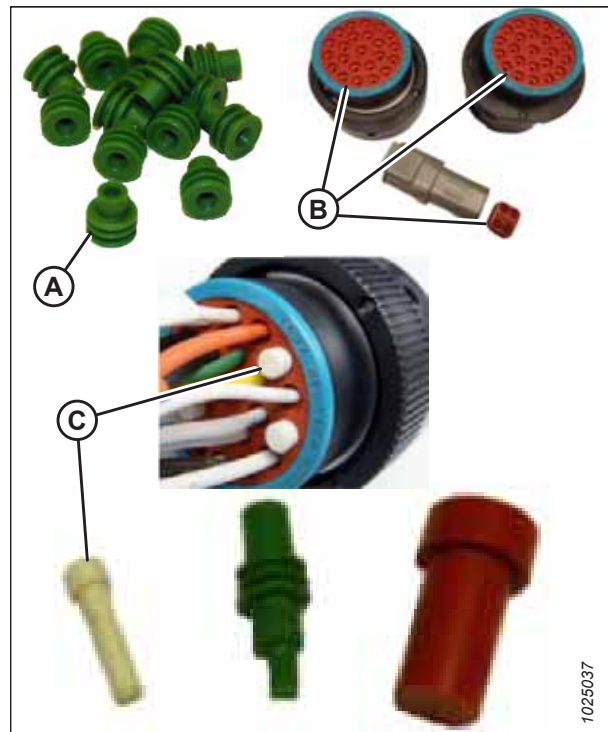


Figure 1.3: Seals

GENERAL CONNECTOR INFORMATION

NOTE:

It is possible to break or damage the seal via incorrect installation process.

- (D) Band (ring) seal – internal
- (E) Band (ring) seal – front

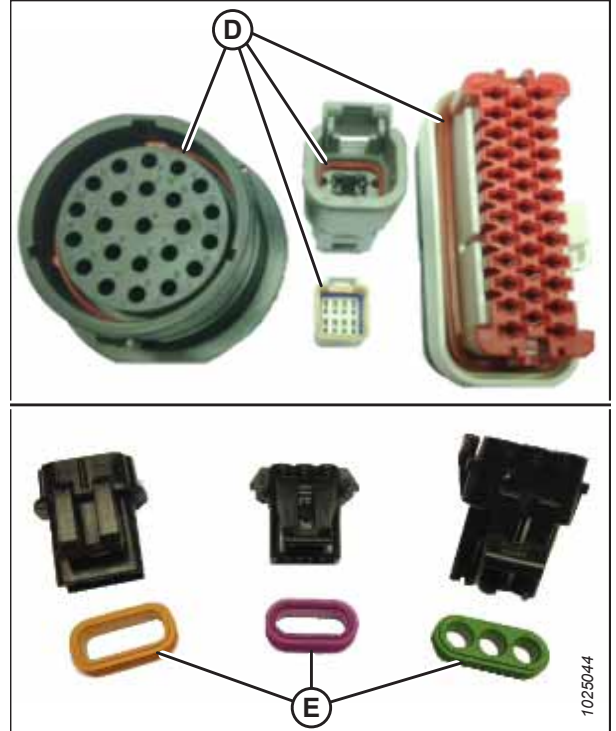


Figure 1.4: Seals

There are several locks that help prevent connectors from separating:

Main locks

- (A) Locking rings
- (B) Lock bosses
- (C) Latch
- (D) Catch

NOTE:

Many connectors have more than one lock. Some locks can be difficult to engage properly.

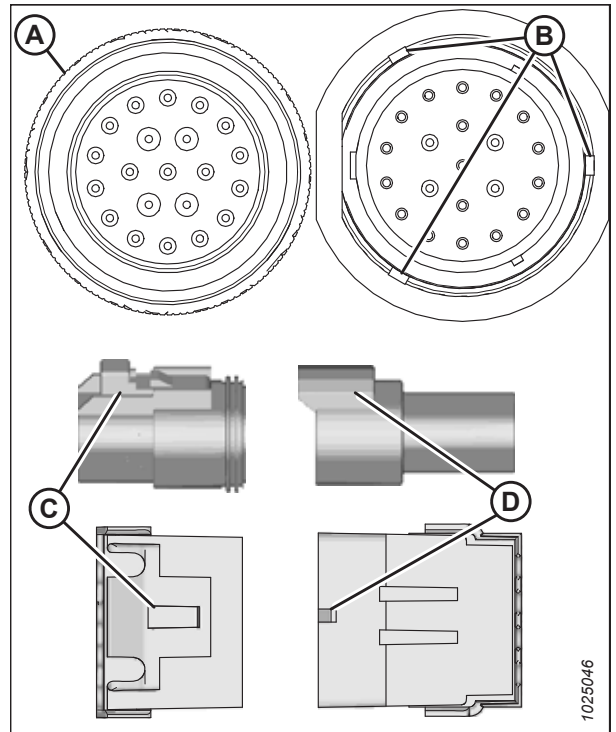


Figure 1.5: Main Locks

GENERAL CONNECTOR INFORMATION

- Secondary wedge locks (A)

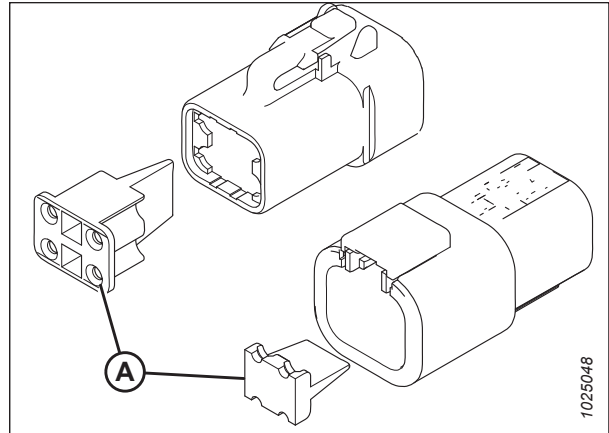


Figure 1.6: Secondary Wedge Locks

- Integrated rear secondary lock (A)

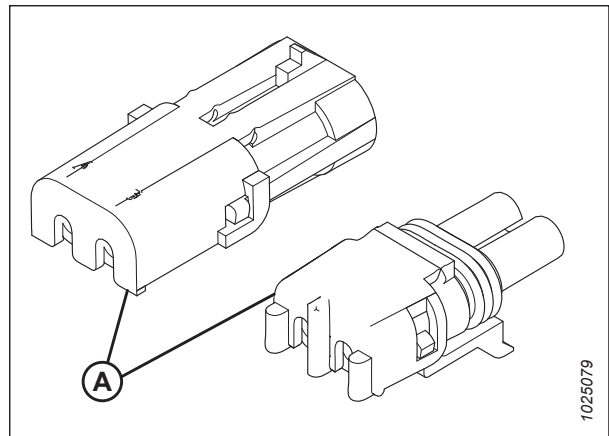


Figure 1.7: Integrated Rear Secondary Lock

Internal terminal locks

- (A) Pin housing
- (B) Socket housing
- (C) Tang
- (D) Button

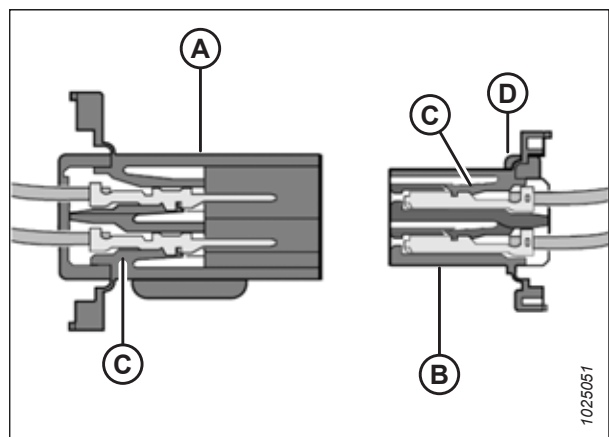


Figure 1.8: Internal Terminal Locks

GENERAL CONNECTOR INFORMATION

- Comb style lock (A) – rear

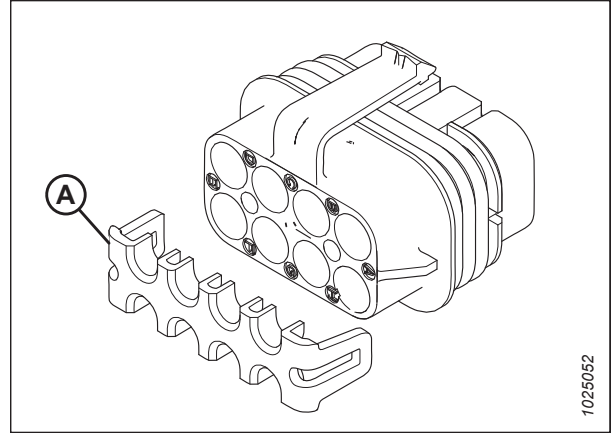


Figure 1.9: Comb Style Lock – Rear

- Comb style lock (A) – front

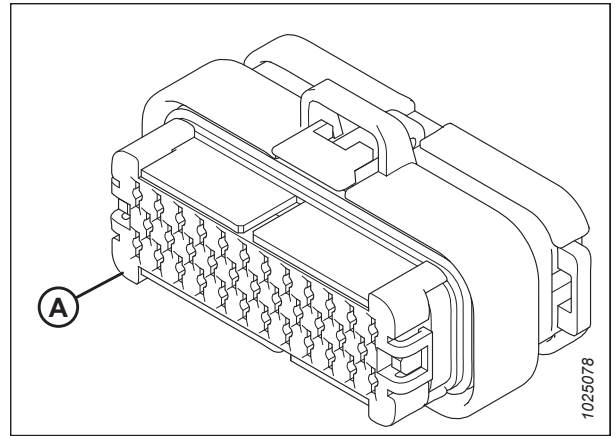


Figure 1.10: Comb Style Lock – Front

IMPORTANT:

Dielectric grease is used to protect unsealed electrical connectors (A) from moisture and contaminants. Do **NOT** apply grease to sealed connections.

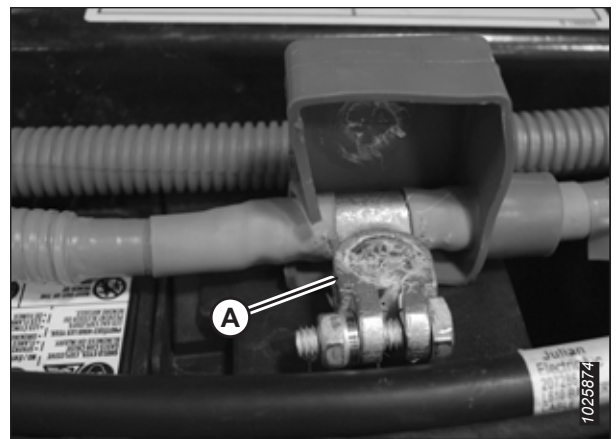


Figure 1.11: Unsealed Electrical Connection

GENERAL CONNECTOR INFORMATION

1.2 Connector Types

This is a list of connector types used on MacDon products.

Connector	Terminals	Seals	Locks
Deutsch - Circular Bulkhead	pin and socket	-ring seal front, gang seal rear -sealing plugs required for unused positions	-internal terminal -no secondary lock -twist collar main lock
Deutsch - Rectangular (DT/DTM/DTP)	pin and socket	-band seal front, gang seal rear -sealing plugs required for unused positions	-internal terminal -secondary lock inserted from front face -tab style main lock
Delphi - Weatherpack/ Metri-Mate	pin and socket	-band seal front, individual seals rear -cavity plugs required for unused positions	-internal terminal -secondary lock, integrated rear comb -tab style main lock
Delphi - Metri-Pak	pin and socket	-band seal front, gang seal rear -cavity plugs required for unused positions	-internal terminal -no secondary lock -tab style main lock
Tyco - Econoseal	tab and receptacle	-band seal front, individual seals rear -sealing plugs required for unused positions	-internal terminal -secondary lock, front face comb -tab style main lock
Tyco - MCP	tab and receptacle	-band seal front, individual seals rear -sealing plugs required for unused positions	-internal terminal -secondary lock, front face -side slide main lock
Molex - MX150 (HPT Display)	pin and socket	-band seal front, gang seal rear -sealing plugs required for unused positions	-internal terminal -secondary lock, front face comb -tab style main lock with secondary red tab lock
Cooper Bussmann (Relay Module)	tab and receptacle	-band seal front, individual seals rear -sealing plugs required for unused positions	-internal terminal -secondary lock, rear comb -tab style main lock
Hirschmann (Trimble GPS Module)	pin and socket	-gang seal front and rear -sealing plugs required for unused positions	-internal terminal -no secondary lock -bolt fastener main lock
Bosch (Relay Base)	tab and receptacle	-unsealed, dielectric grease may be required	-internal terminal -secondary lock, side insertion
JST - JWPF (Console printed circuit board JBUND, ect.)	pin and socket	-gang seal rear, band seal in receptacle connector	-internal terminal -no secondary lock
JST - WPJ (Console printed circuit board JCAN, JPWR, JBATT, ect.)	pin and socket	-band seal front, gang seal rear	-internal terminal -no secondary lock

1.3 Disconnecting Connectors

There are many types of connectors used on electrical harnesses. Below are examples of some connectors and how to disconnect them.

NOTE:

When disconnecting electrical connectors, pull on the connector and **NOT** on the wires. Pulling on the wires may damage the wires, pins, or the connector.

Lift tab (A) until it clears the retaining lock. Slide the connector rearward to remove it.

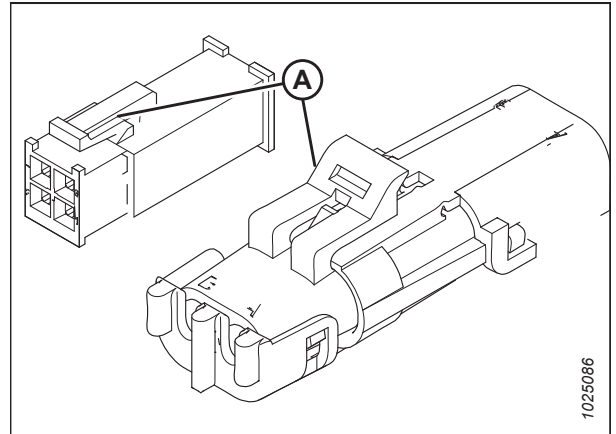


Figure 1.12: Connector

Press down on tab (A) until it clears the retention groove. Slide the connector rearward to remove it.

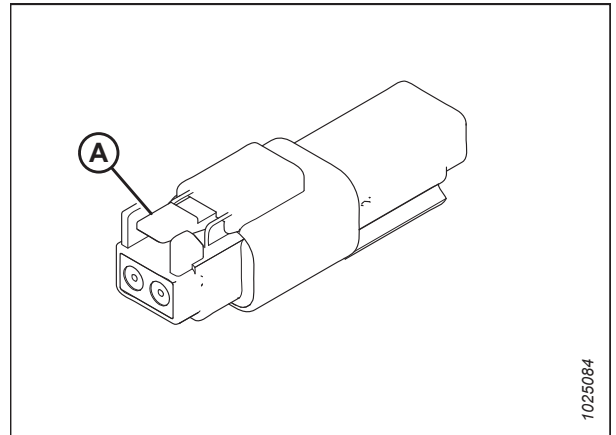


Figure 1.13: Connector

GENERAL CONNECTOR INFORMATION

Press both side tabs (A). Slide the connector rearward to remove it.

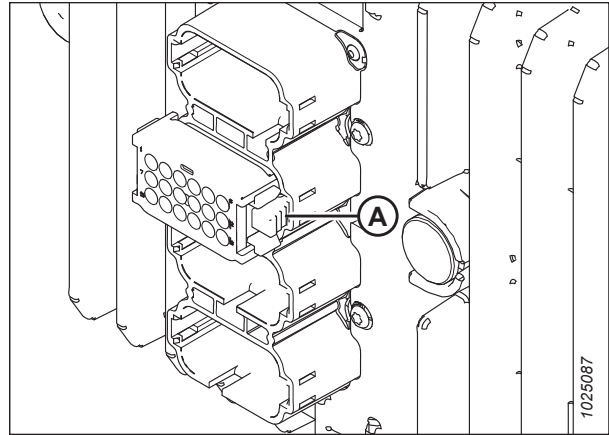


Figure 1.14: Master Controller Connector

Rotate locking collar (A) counterclockwise. Slide the connector rearward to remove it.

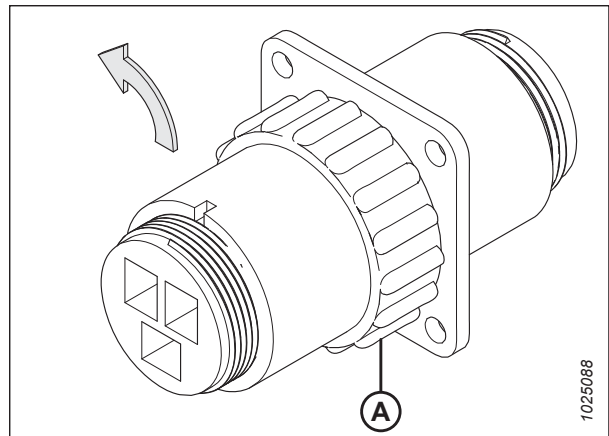


Figure 1.15: Connector

Pry side lock (A) out until it completely disengages. Slide the connector rearward to remove it.



Figure 1.16: Connector

GENERAL CONNECTOR INFORMATION

Slide red lock (A) rearward. Press down on tab (B) until it clears the retaining lock. Slide the connector rearward to remove it.

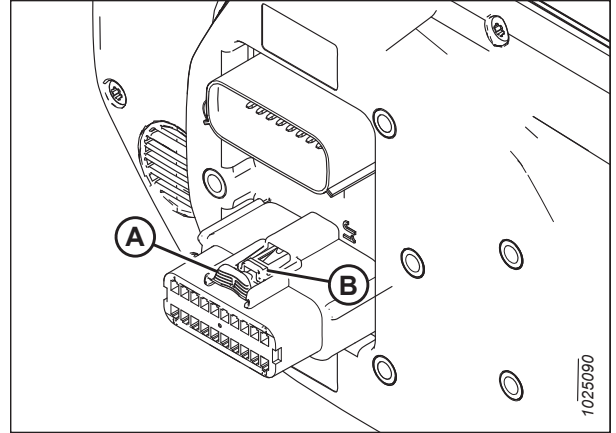


Figure 1.17: Display Connector

Lift tab (A) until it clears the retaining lock. Slide the connector rearward to remove it.

NOTE:

The connector will break if too much pressure is used to lift the tab on the connector.

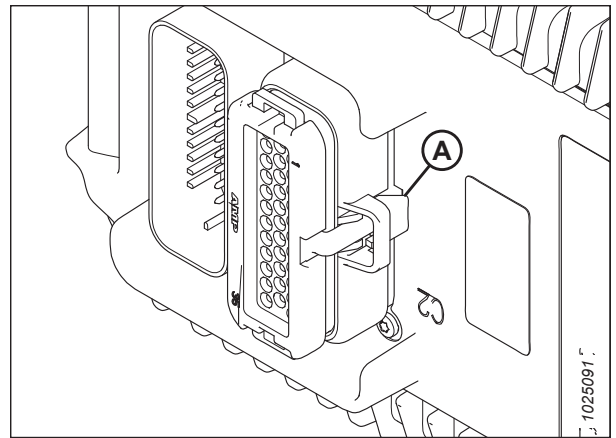


Figure 1.18: Extension Module Connector

Push in tab (A) until it clears the retaining lock. Slide the connector rearward to remove it.

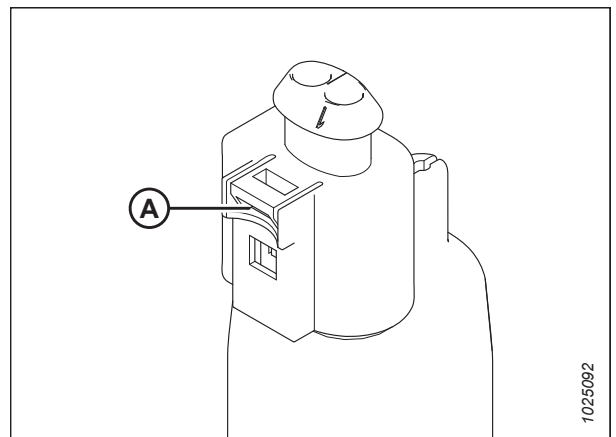


Figure 1.19: Windshield Washer Pump Connector

GENERAL CONNECTOR INFORMATION

Push in tab (A) until it clears the retaining lock. Slide the connector rearward to remove it.

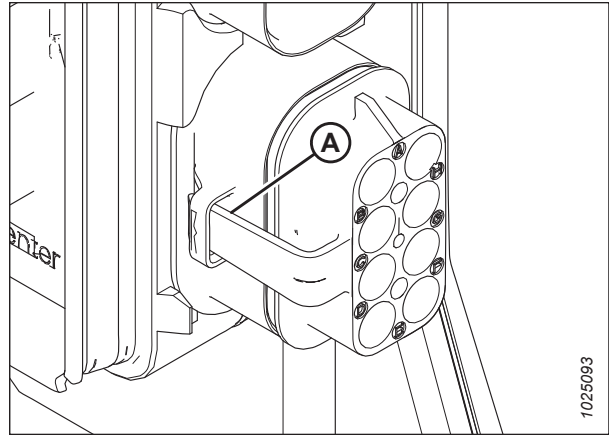


Figure 1.20: Relay Module Connector

Press tab (A) until it clears the retaining lock. Slide the connector rearward to remove it.

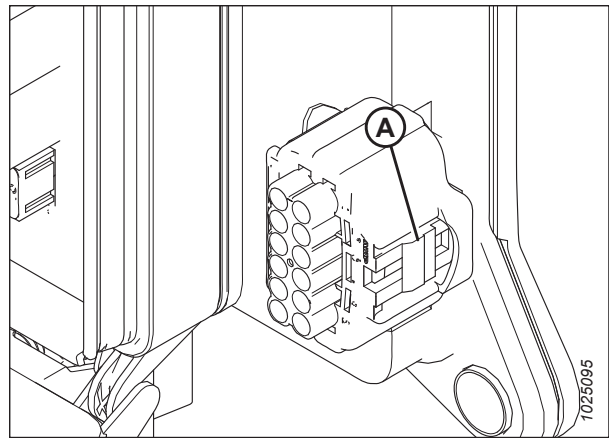


Figure 1.21: Relay Module Connector

Press down on lock (B). Lift tab (A), and completely rotate it. Slide the connector rearward to remove it.

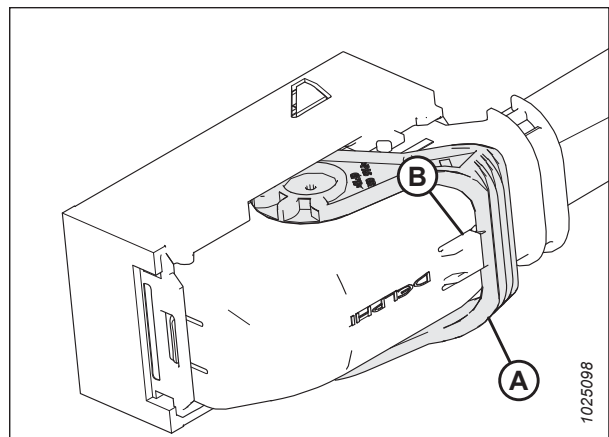


Figure 1.22: Engine Control Module (ECM) Connector

1.4 Repairing Deutsch Connectors: Removing Contacts

Required Tools:

- Contact extraction tool – Wire gauge determines which contact extraction tool to use.
- Deutsch removal tool (DT-RT1) – Removes wedge locks.

Table 1.1 Contact Extraction Tool Options

Extraction Tool		Wire		Contact Size
Part Number	Color	Size Range	Maximum Insulation Diameter	
0411-240-2005	Red	0.35-1.00 mm ² and 22-16 AWG	2.41 mm [.095 in.] AWG	20
0411-291-1405	Green	1.00-2.00 mm ² and 16-14 AWG	3.81 mm [.150 in.] AWG	16
0411-310-1605	Light Blue	0.75-1.00 mm ² and 18-16 AWG	3.40 mm [.134 in.] AWG	16
0411-336-1605	Dark Blue	0.50-1.00 mm ² and 20-16 AWG	3.05 mm [.120 in.] AWG	16

Removing Contact from Rear Release Connector

1. Slide extraction tool (A) along the wire into the rear of the connector until the tines can be felt to unlock. Place your thumb on the wire, gripping the wire and extraction tool. Gently pull the wire until the contact is removed.

NOTE:

Do **NOT** twist or insert the extraction tool at an angle, as damage to the locking tines will occur.

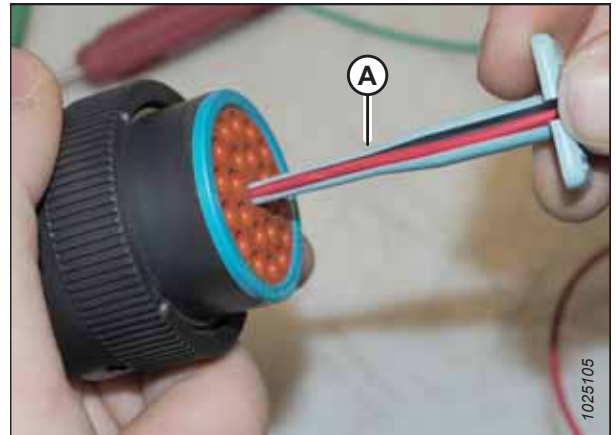


Figure 1.23: Rear Release Connector

GENERAL CONNECTOR INFORMATION

Removing Contact from Front Release Connector

2. Insert the hook end of the Deutsch removal tool (DT-RT1) into the connector. Grasp wedge lock (A) and pull straight out.

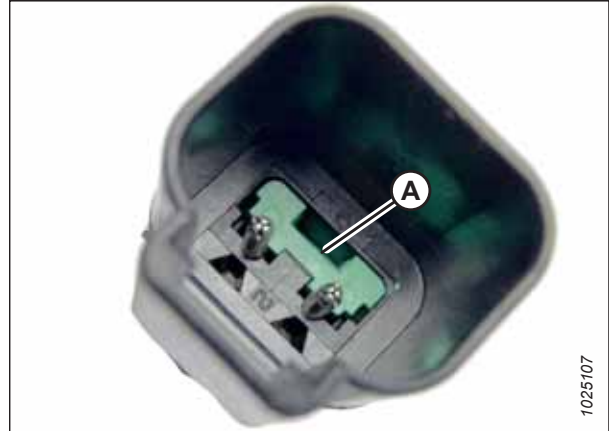


Figure 1.24: Front Release Connector – Pin



Figure 1.25: Front Release Connector – Socket

3. Insert the flat end of the Deutsch removal tool (DT-RT1) and disengage contact lock (A). Hold the rear seal of the connector and pull the wire until the contact and wire are removed.

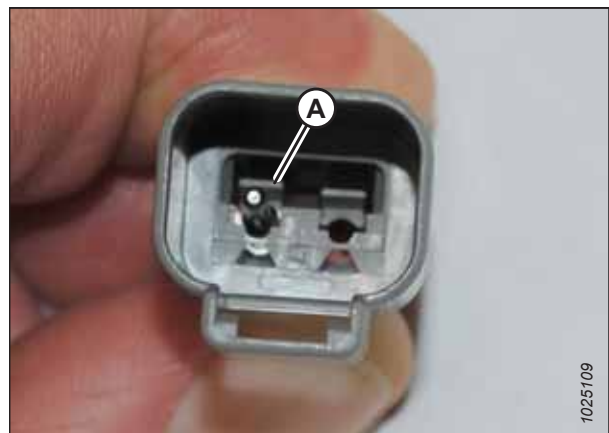


Figure 1.26: Front Release Connector – Pin or Socket

1.5 Repairing Deutsch Connectors: Replacing Contacts

Required Tools:

- Crimper
- Wire stripper
- Side cutter

1. Cut the damaged contact off of the wire.
2. Strip approximately 5–7 mm (0.20–0.28 in.) of insulation off the end of the wire.

NOTE:

The length of the wire strip depends on the contact being used.

NOTE:

Inspect the wire after stripping it. If any wire strands were cut, strip the wire again.

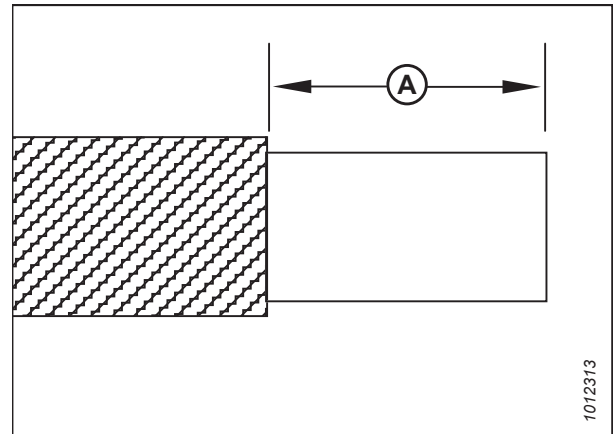


Figure 1.27: Wire Insulation

A - 5–7 mm (0.20–0.28 in.)

3. Insert contact (A) into the crimper. Adjust screw (D) until the end of the contact is flush with the opening in crimper (B). Tighten jam nut (C) to lock setting.

IMPORTANT:

The maximum gap from the wire insulation to the end of the contact is 2.5 mm (0.10 in.).

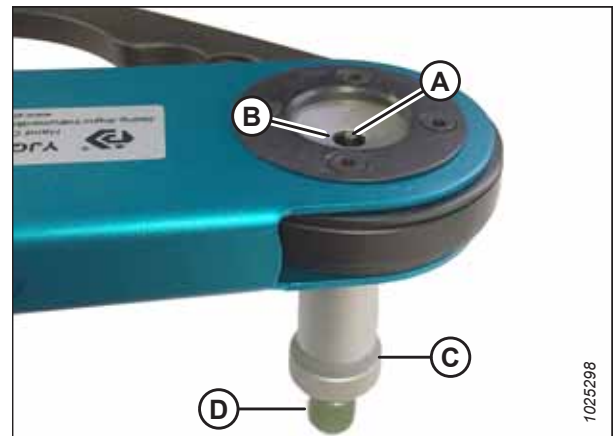


Figure 1.28: Solid Contact

GENERAL CONNECTOR INFORMATION

4. Slightly close the crimper to hold contact (A) securely. Insert wire (B) into end of the contact. Hold the wire in place and squeeze handles completely together.

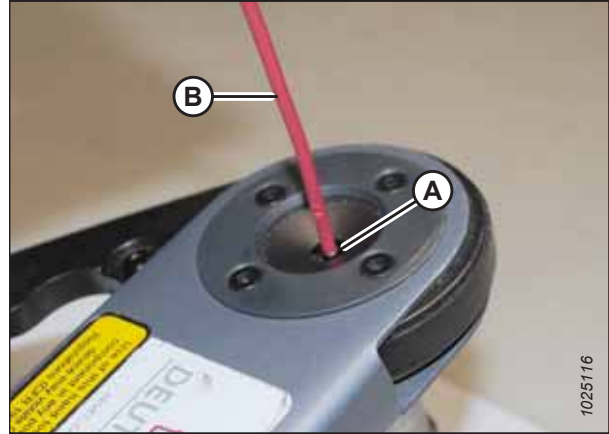


Figure 1.29: Solid Contact

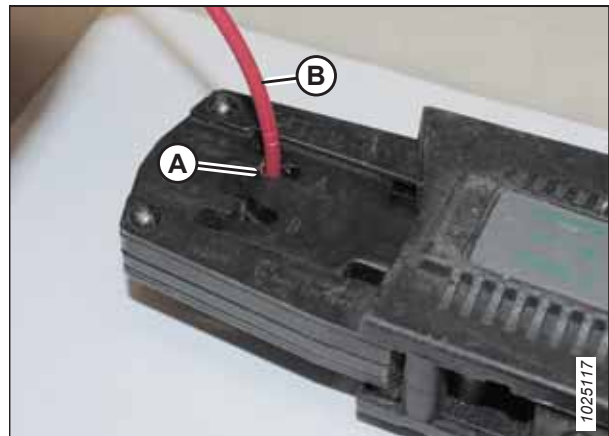


Figure 1.30: Stamped Contact

1.6 Repairing Deutsch Connectors: Inserting Pins or Contacts

For a rear release connector: Locate the correct wire position on the connector and insert contact (A) through the rear rubber seal of the connector. There will be an audible click sound as the shoulder of the contact passes through the tines and as it locks into position. Slightly pull on the wire to ensure that the contact is installed correctly.

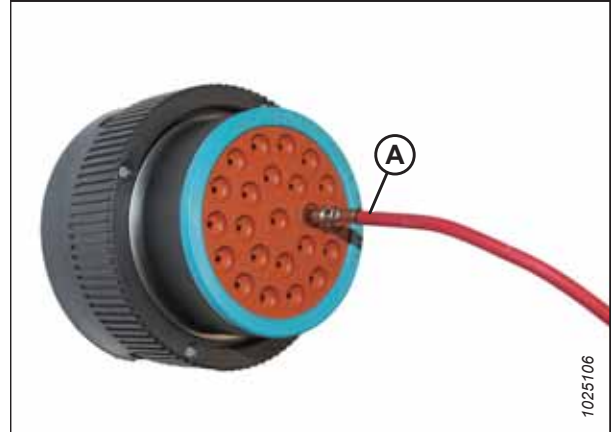


Figure 1.31: Rear Release Connector

For a front release connector: Insert the contact from the rear of the connector. There will be an audible click sound as the shoulder of the contact passes through tines (A) and as it locks into position. Slightly pull on the wire to ensure that the contact is installed correctly.

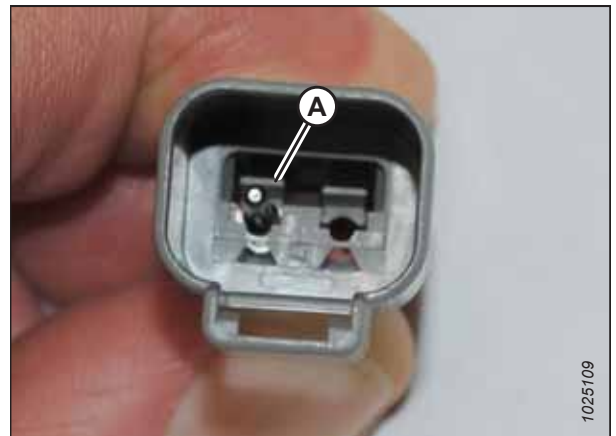


Figure 1.32: Front Release Connector

Install wedge lock (A) to secure the contacts.

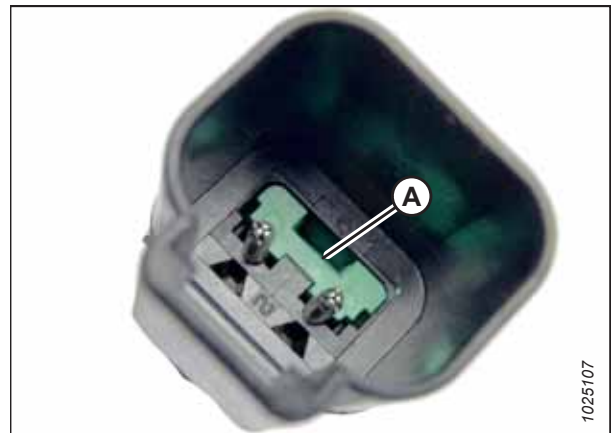
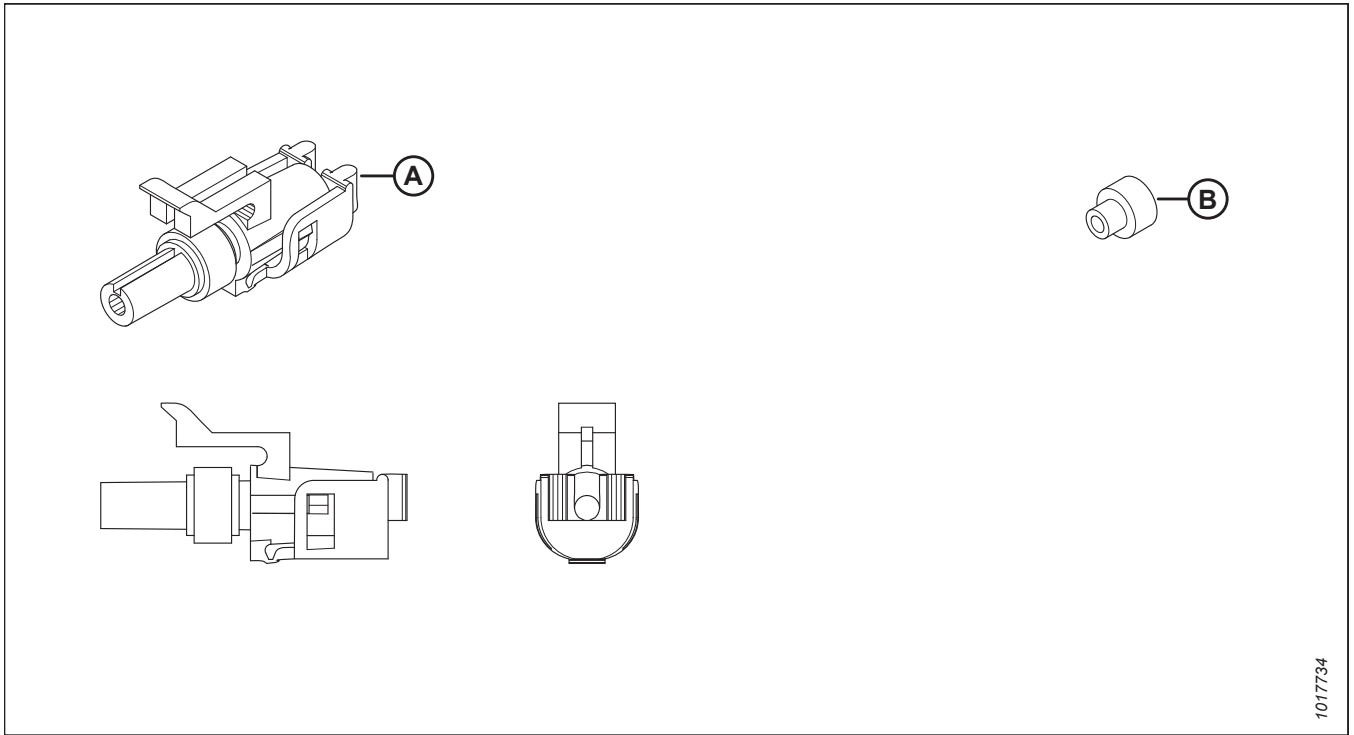


Figure 1.33: Front Release Connector

Chapter 2: One-Position Connectors

2.1

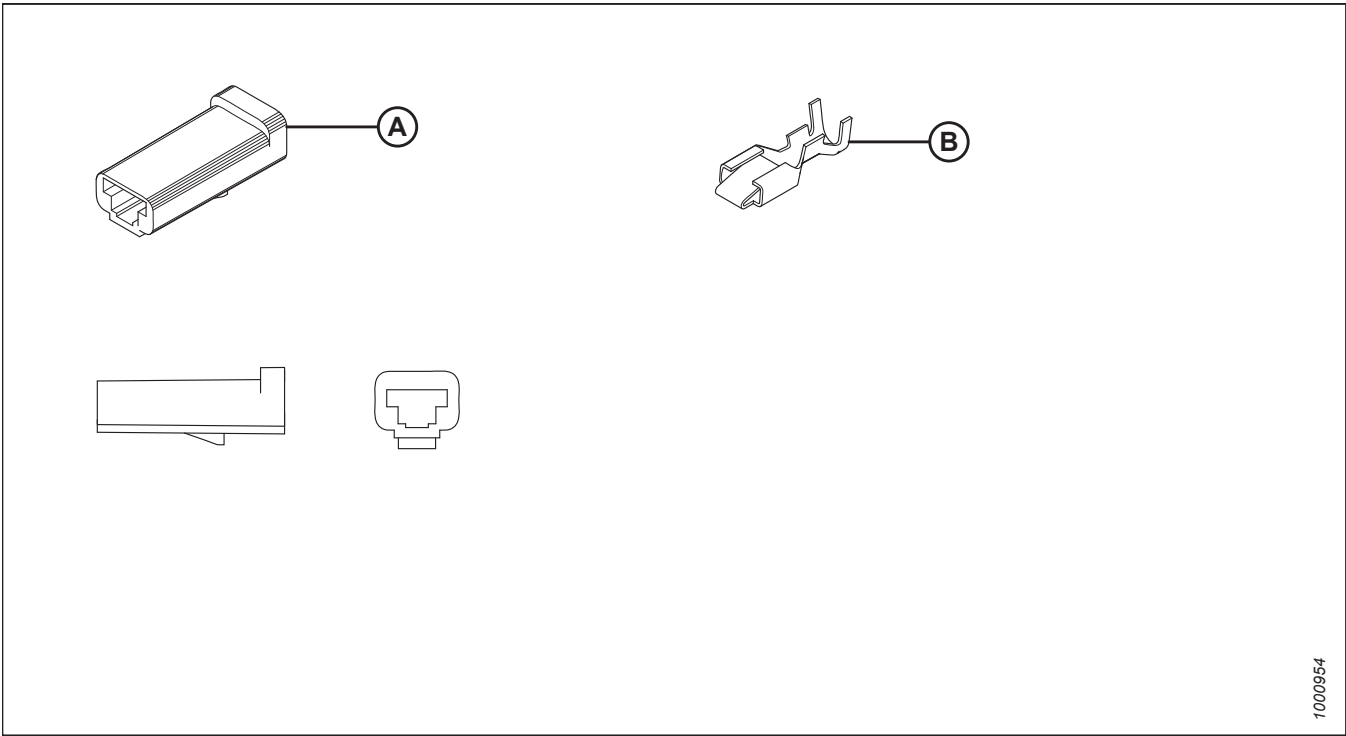


1017734

	MacDon Part #	Description	Manufacturer	Series	Manufacturer Part #
A		Connector – Plug (14–20 ga)	Delphi	W/P	12015791
	30471	Terminal – Socket (14–16 ga)	Packard Electric Div.	W/P	12124580
	134133	Terminal – Socket (18–20 ga)	Delphi	W/P	12089188
B		Seal – Wire (Green)	Delphi	W/P	15324982
		Plug – Cavity	Packard		12010300
		Mating Connector	Delphi	W/P	12010996
	134160	Extraction Tool		12014012	
		Crimp Tool		12155975	

ONE-POSITION CONNECTORS

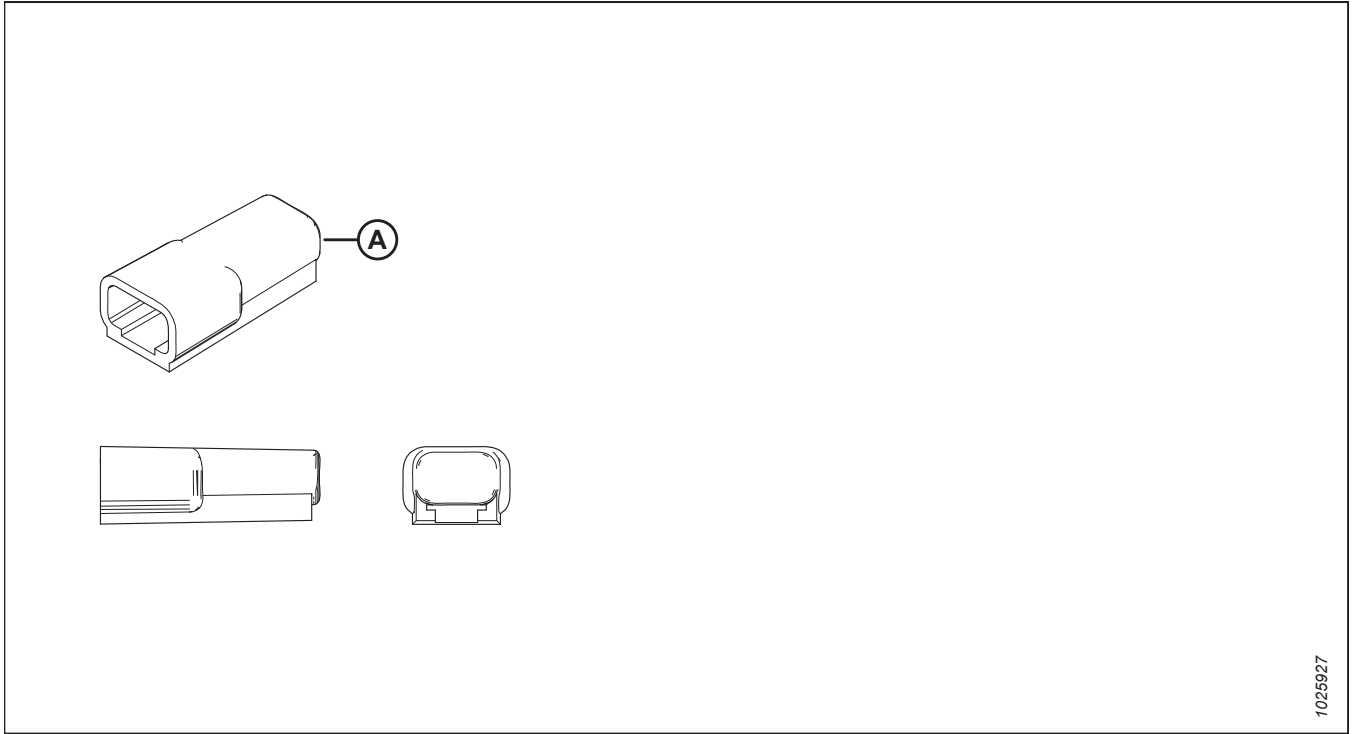
2.2



	MacDon Part #	Description	Manufacturer	Series	Manufacturer Part #
A		Connector – Plug	Delphi	56	2962793
B	134112	Terminal – Receptacle	Delphi	56	12124517
		Mating Connector		2973392	
	134159	Extraction Tool		12094430	
		Crimp Tool			

ONE-POSITION CONNECTORS

2.3

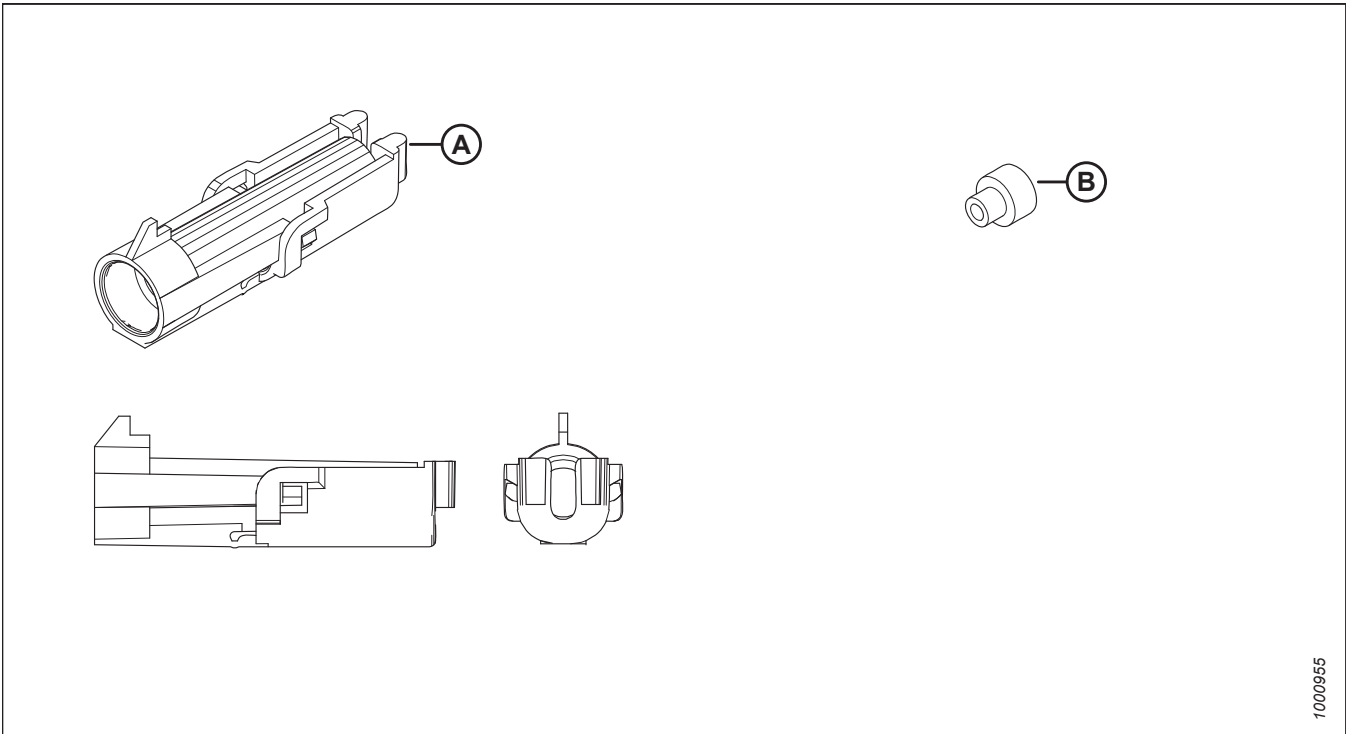


1025927

	MacDon Part #	Description	Manufacturer	Series	Manufacturer Part #
A		Connector – Receptacle	Delphi	56	29733922
		Mating Connector		2962793	
		Extraction Tool			
		Crimp Tool			

ONE-POSITION CONNECTORS

2.4



	MacDon Part #	Description	Manufacturer	Series	Manufacturer Part #
A		Connector – Receptacle (12–22 ga)	Delphi	W/P	12010996
	134126	Terminal – Pin (18–20 ga)	Delphi	W/P	12089040
B		Seal – Wire (Green)	Delphi	W/P	15324982
		Mating Connector	Delphi	W/P	12015791
	134160	Extraction Tool	12014012		
		Crimp Tool			

ONE-POSITION CONNECTORS

2.5

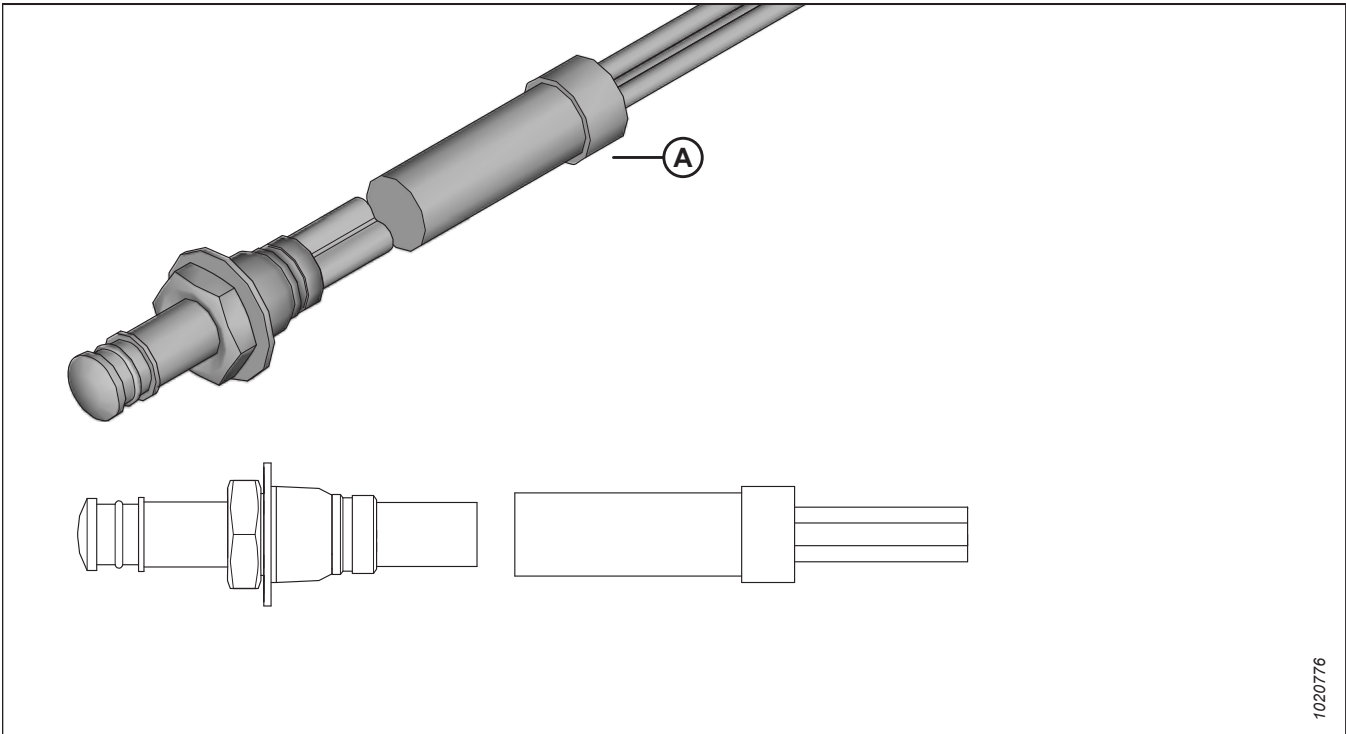


1020775

	MacDon Part #	Description	Manufacturer	Series	Manufacturer Part #
A		Connector – Receptacle, Positive Lock	Tyco		154719-1
		Terminal			
		Lock			
		Secondary Lock			
		Seal			
		Mating Connector			
		Extraction Tool			
		Crimp Tool			
		Cavity Plug			
		Boots/Caps			

ONE-POSITION CONNECTORS

2.6

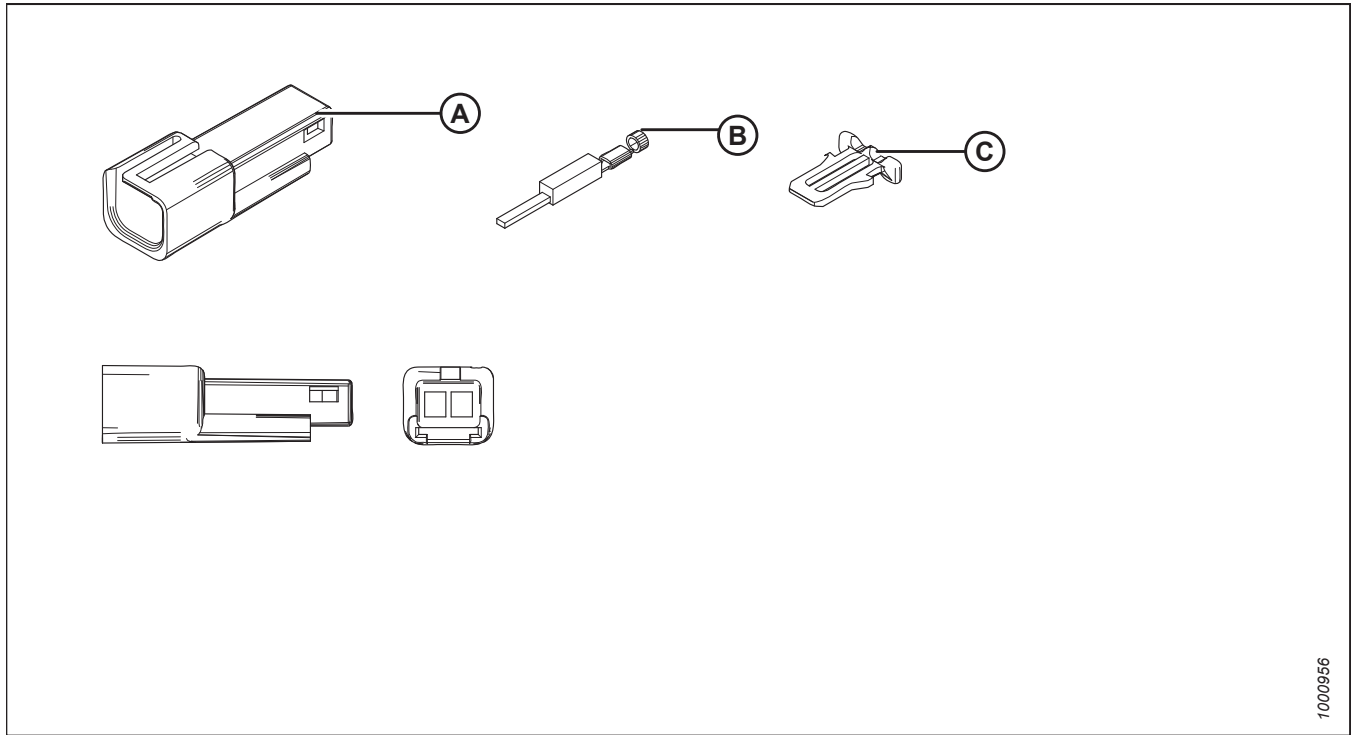


1020776

	MacDon Part #	Description	Manufacturer	Series	Manufacturer Part #
A		Connector – Set, Doorswitch	Waytek		52-622
		Terminal			
		Lock			
		Secondary Lock			
		Seal			
		Mating Connector			
		Extraction Tool			
		Crimp Tool			
		Cavity Plug			
		Boots/Caps			

Chapter 3: Two-Position Connectors

3.1

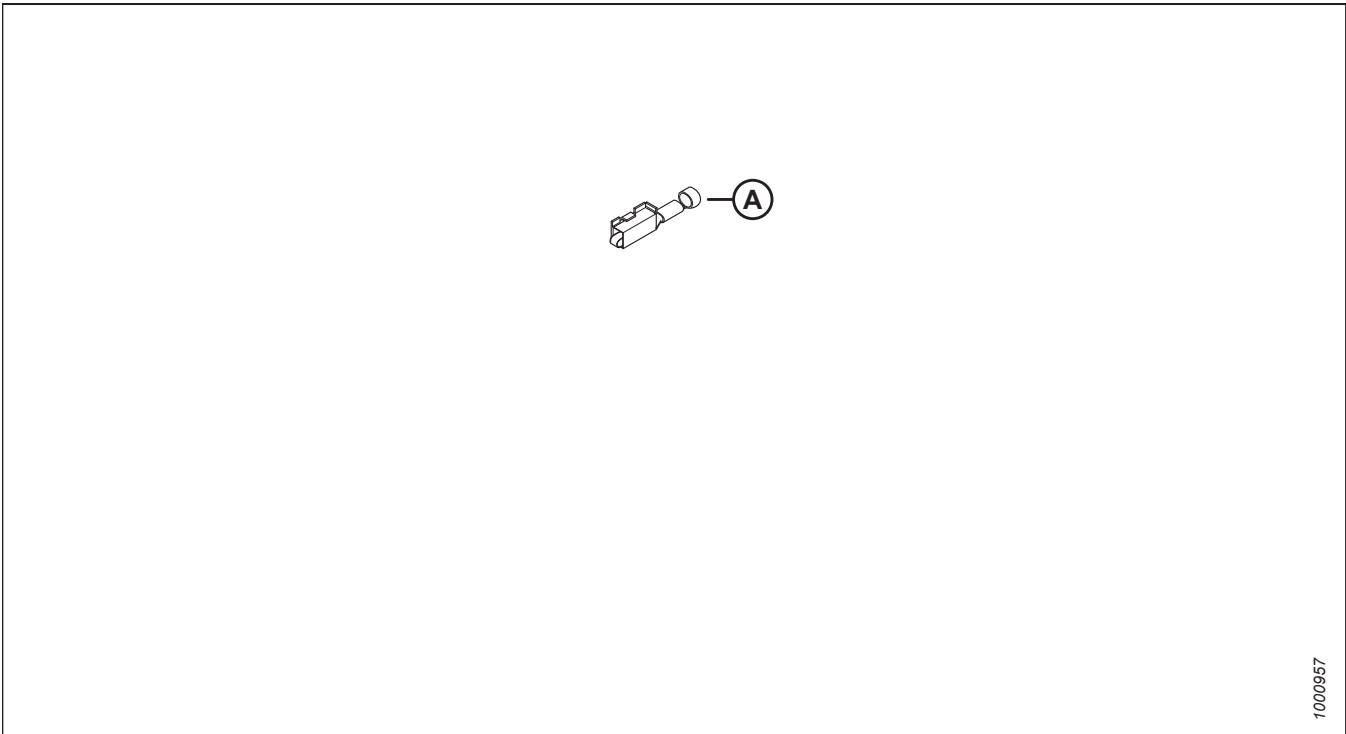


1000956

	MacDon Part #	Description	Manufacturer	Series	Manufacturer Part #
A		Connector – Receptacle (16–24 ga)	Delphi	M/P 150	12047663
B	134123	Terminal – Pin (16–18 ga)	Delphi	M/P 150	12047581
C	134124	Lock	Delphi	M/P 150	12047665
		Mating Connector		12047662	
	134158	Extraction Tool		12094429	
		Crimp Tool		Rennsteig HT21501459-1	

TWO-POSITION CONNECTORS

3.2

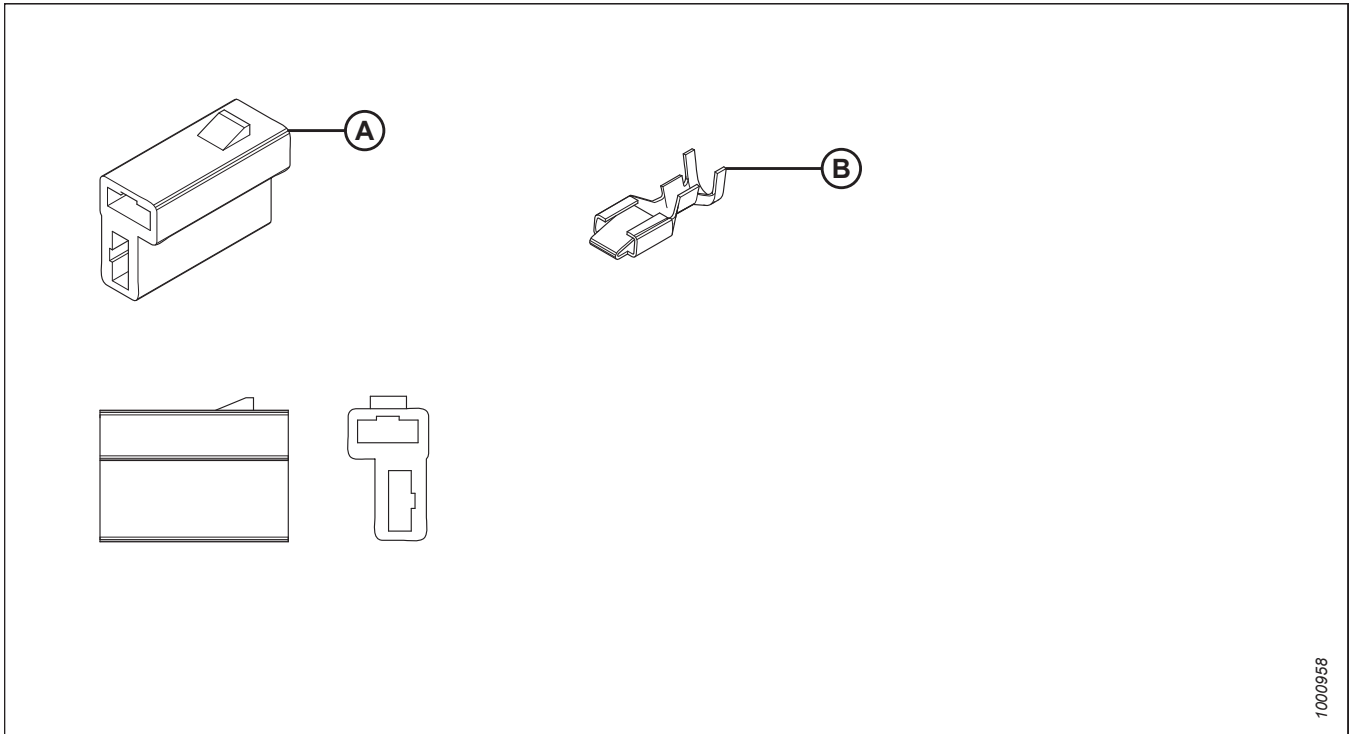


1000957

	MacDon Part #	Description	Manufacturer	Series	Manufacturer Part #
		Connector – Plug (16–24 ga)	Delphi	M/P 150	12047662
A	134139	Terminal – Socket (16–24 ga)	Delphi	M/P 150	12047767
		Mating Connector	12047663		
		Extraction Tool			
		Crimp Tool			

TWO-POSITION CONNECTORS

3.3

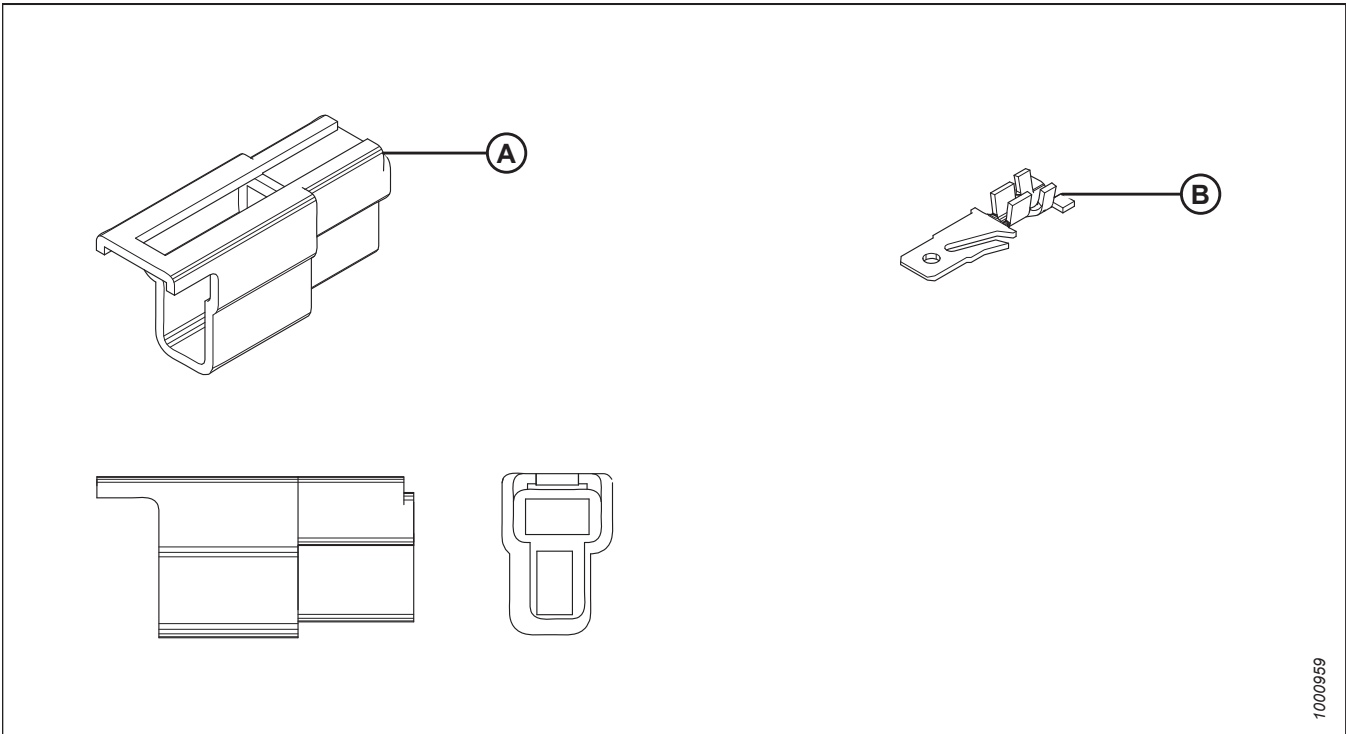


1000958

	MacDon Part #	Description	Manufacturer	Series	Manufacturer Part #
A		Connector – Plug (12–18 ga)	Delphi	56	2973781
B	134112	Terminal – Receptacle (12–18 ga)	Delphi	56	12124517
		Mating Connector		2984883	
	134159	Extraction Tool		12094430	
		Crimp Tool			

TWO-POSITION CONNECTORS

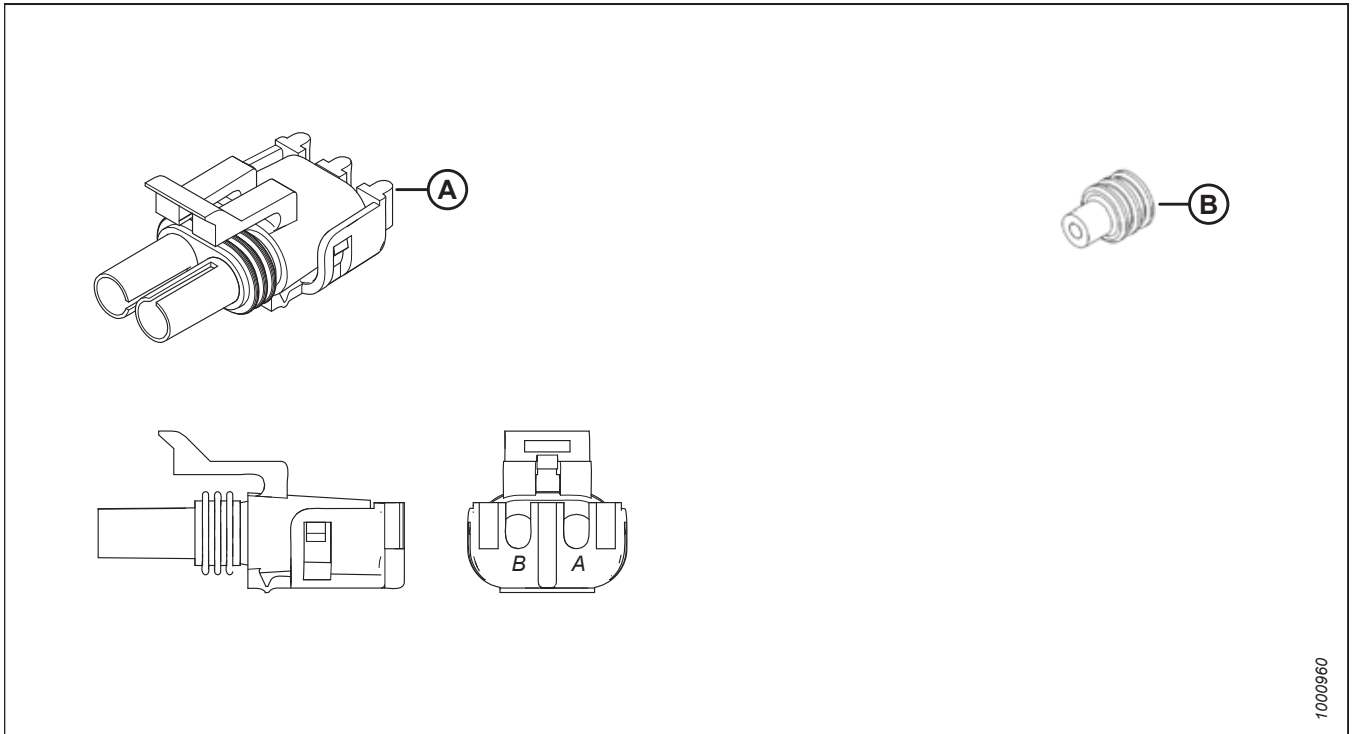
3.4



	MacDon Part #	Description	Manufacturer	Series	Manufacturer Part #
A		Connector – Receptacle (12–18 ga)	Delphi	56	2984883
B		Terminal – Tab	Delphi	56	2977994
		Terminal – Tab (14–20 ga)	Delphi	56	2971962
		Mating Connector	2973781		
		Extraction Tool			
		Crimp Tool	12085271, 06285847, 8913440, PA-1306, OBT-1028CT		

TWO-POSITION CONNECTORS

3.5

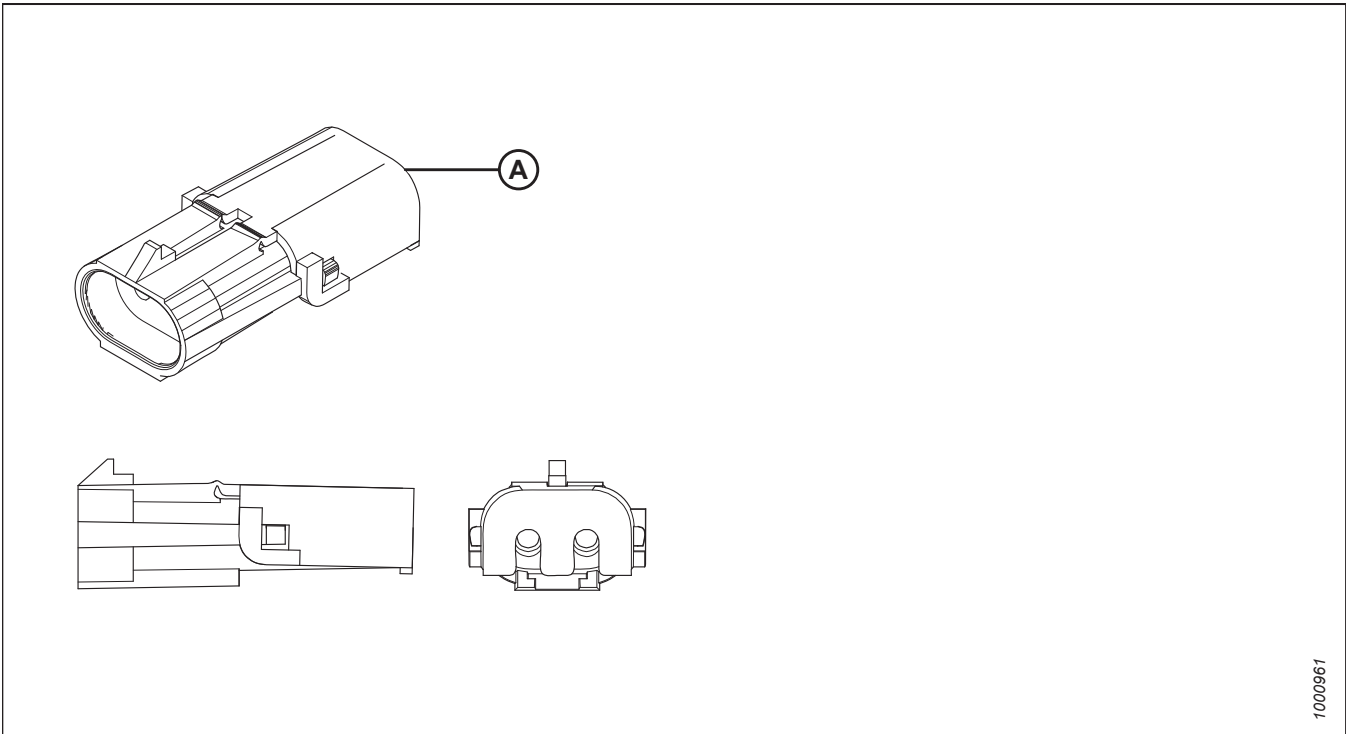


1000960

	MacDon Part #	Description	Manufacturer	Series	Manufacturer Part #
A		Connector – Plug (14–20 ga)	Delphi	W/P	12015792
	30473	Terminal – Socket (14–16 ga)	Delphi	W/P	12124582
B		Seal – Wire (Green)	Delphi	W/P	15324982
	134190	Mating Connector		12010973	
	134160	Extraction Tool		12014012	
		Crimp Tool		HT31012451-1 (Rennsteig)	

TWO-POSITION CONNECTORS

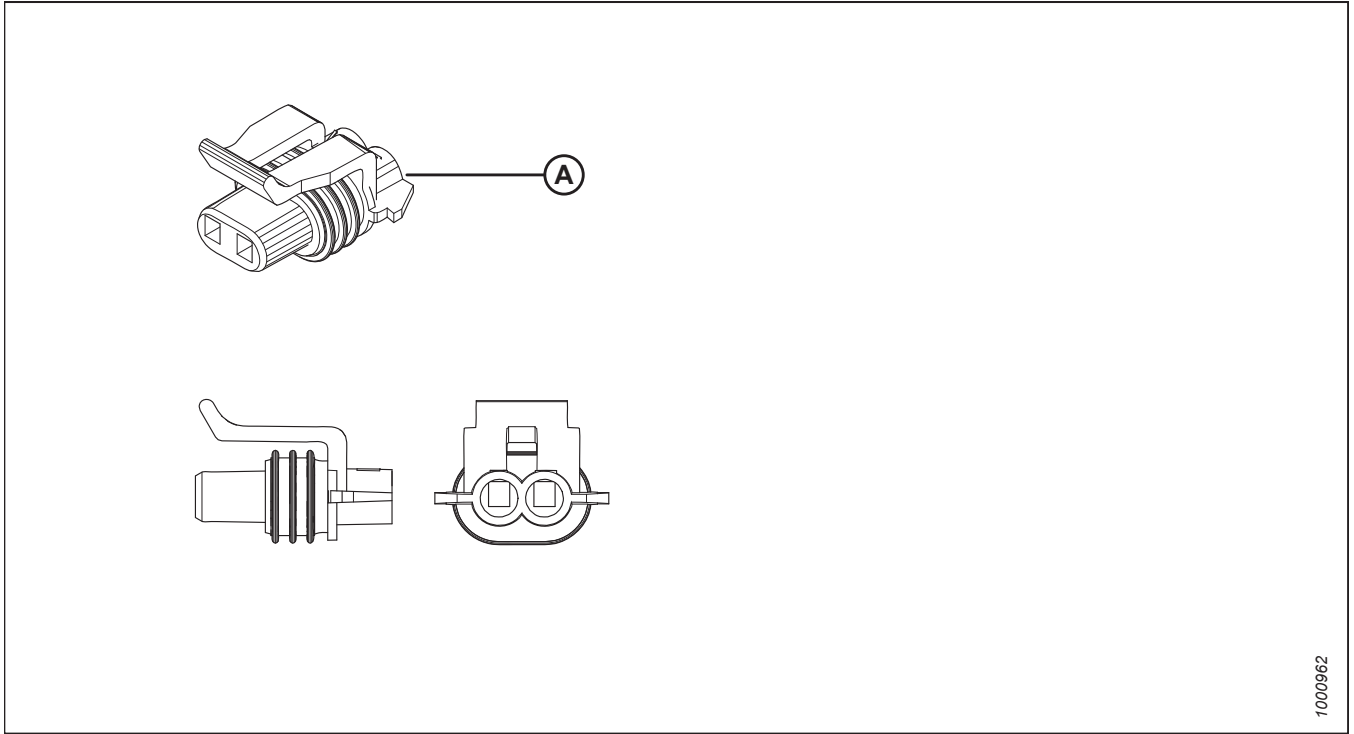
3.6



	MacDon Part #	Description	Manufacturer	Series	Manufacturer Part #
A	134190	Connector – Plug (14–20 ga)	Delphi	W/P	12010973
	30471	Terminal – Socket (14–16 ga)	Delphi	W/P	12124580
		Seal – Wire (Green)	Delphi	W/P	15324982
		Mating Connector		12015792	
	134160	Extraction Tool		12014012	
		Crimp Tool			

TWO-POSITION CONNECTORS

3.7

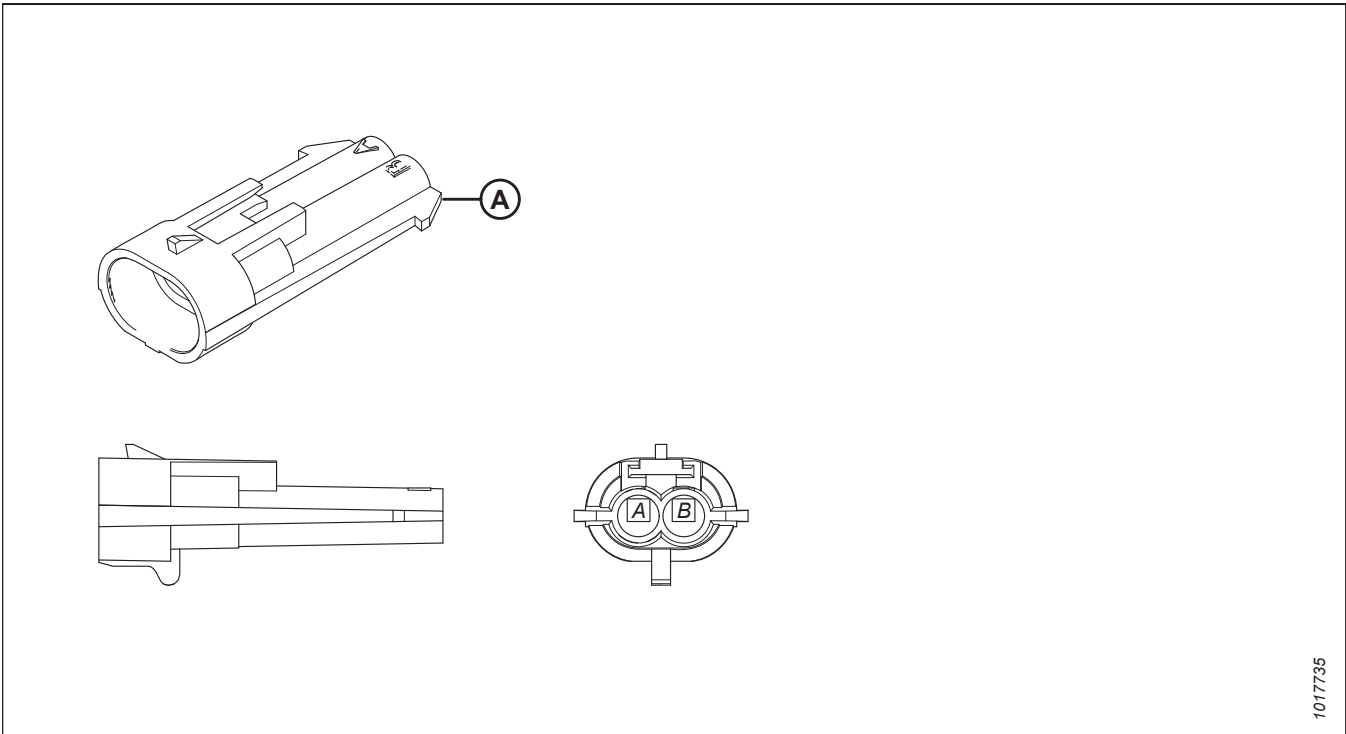


1000962

	MacDon Part #	Description	Manufacturer	Series	Manufacturer Part #
A		Connector – Plug (16–24 ga)	Delphi	M/P 150	12052641
	134120	Terminal – Socket (16–18 ga)	Delphi	M/P 150	12160223
	134121	Seal – Wire (Red)	Delphi	M/P 150	15324973
		Mating Connector		12162000	
	134158	Extraction Tool		12094429	
		Crimp Tool			

TWO-POSITION CONNECTORS

3.8

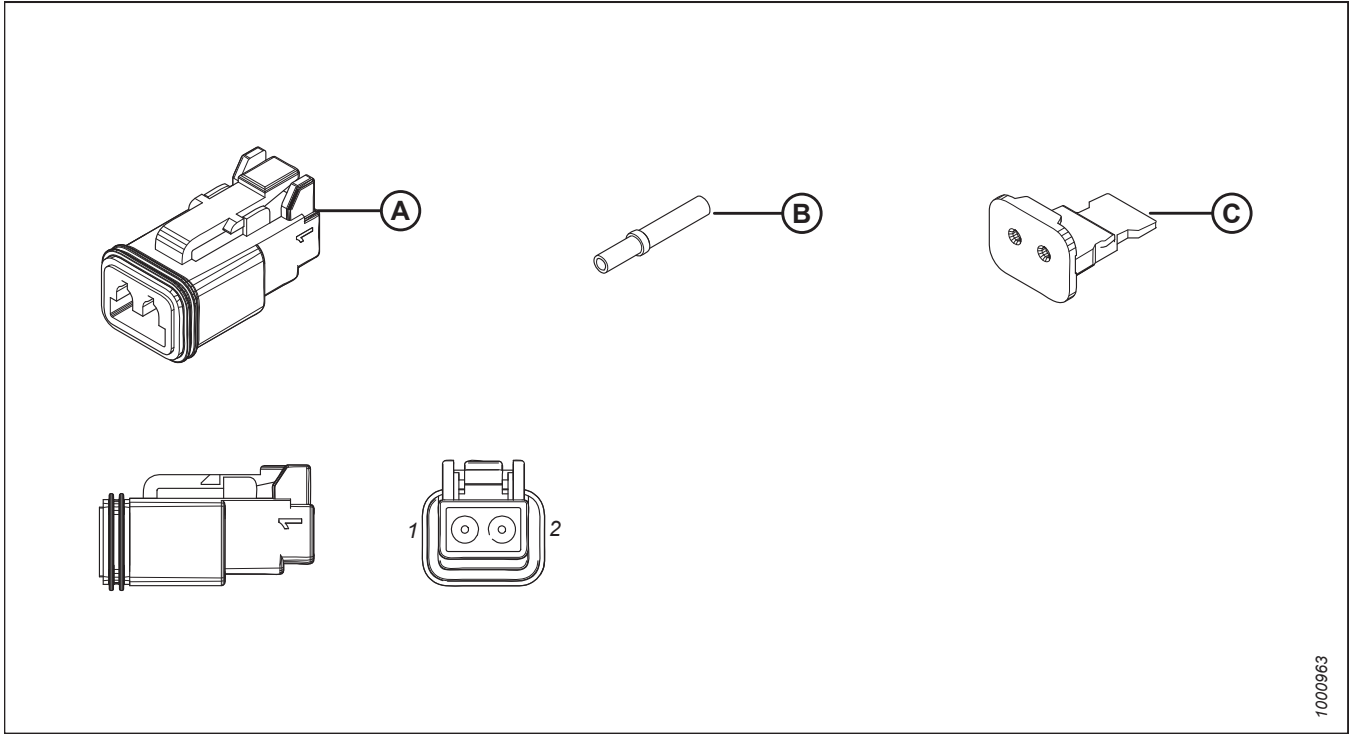


1017735

	MacDon Part #	Description	Manufacturer	Series	Manufacturer Part #
A		Connector – Receptacle (14–20 ga)	Delphi	M/P 150	12162000
		Terminal – Pin (16–20 ga)	Delphi	M/P 150	15344866
		Terminal – Pin	Delphi		12077628 12177150
		Lock			12052634
		Seal			15324973, 15324976, 15324974, 12048087
		Plug – Cavity			12059168
		Mating Connector		12052641	
		Extraction Tool		12094429	
		Crimp Tool			

TWO-POSITION CONNECTORS

3.9

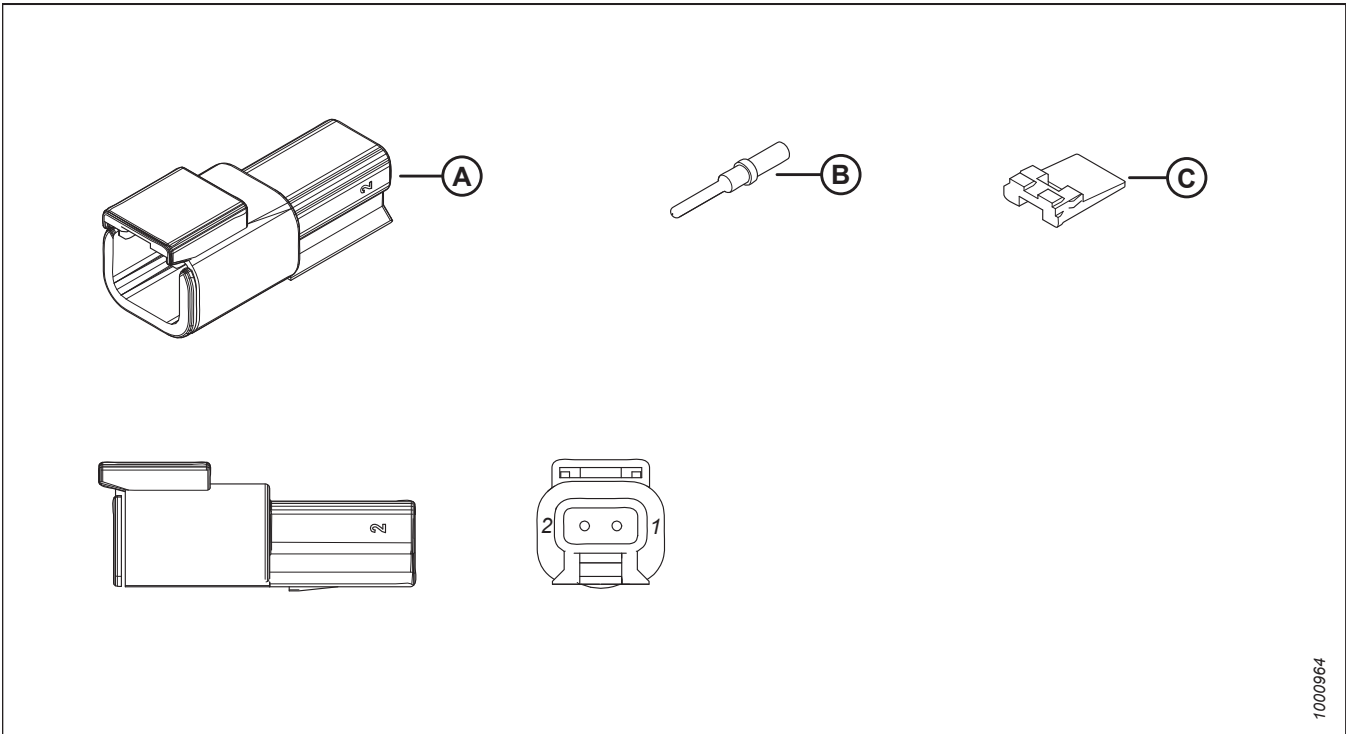


1000963

	MacDon Part #	Description	Manufacturer	Series	Manufacturer Part #
A	134029	Connector – Plug (16–24 ga)	Deutsch	DT	DT06-2S-P012
B	134026	Terminal – Socket (16–18 ga)	Deutsch	Size 16	0462-201-16141
C	134031	Lock	Deutsch	DT	W2S-P012
	134028	Mating Connector		DT04-2P	
		Extraction Tool			
	134015	Crimp Tool		HDT-48-00	

TWO-POSITION CONNECTORS

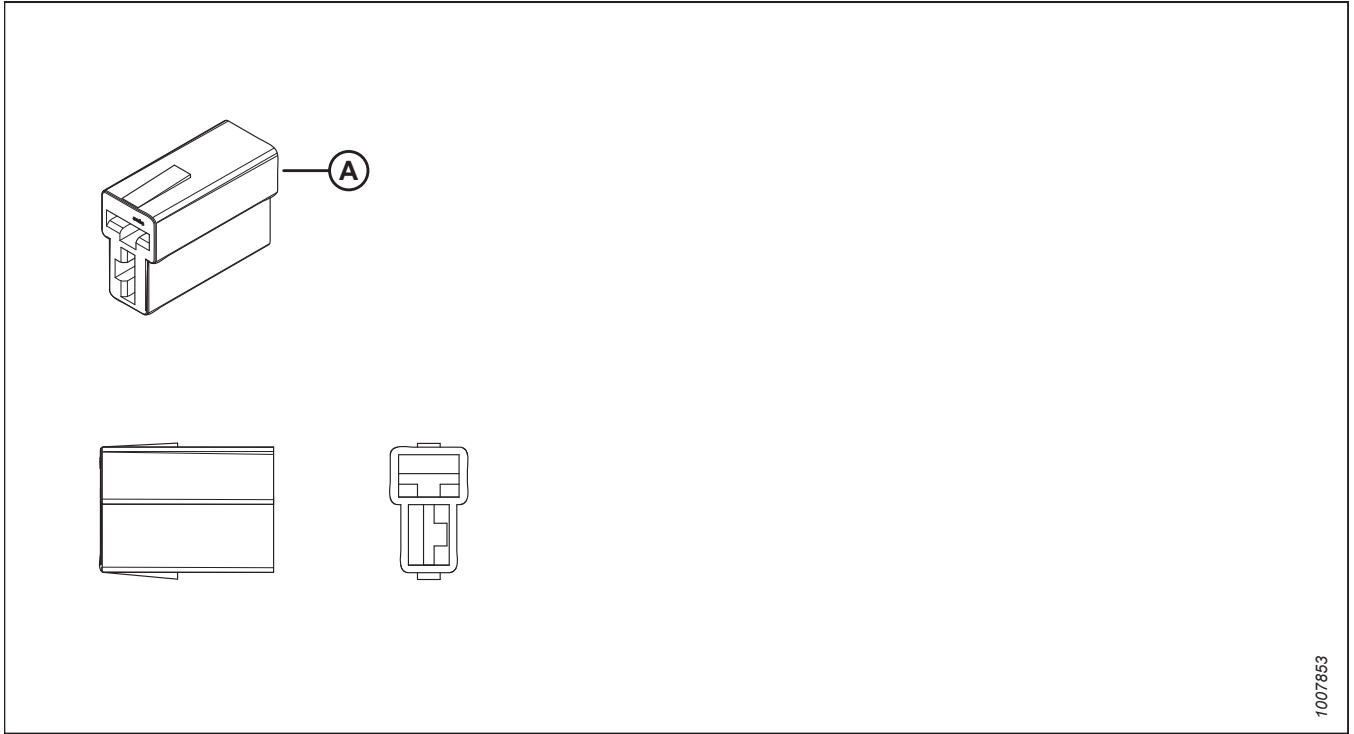
3.10



	MacDon Part #	Description	Manufacturer	Series	Manufacturer Part #
A	134028	Connector – Receptacle (16–24 ga)	Deutsch	DT	DT04-2P
B	134023	Terminal – Pin (16–18 ga)	Deutsch	Size 16	0460-202-16141
C	134030	Lock	Deutsch	DT	W2P
	134029	Mating Connector		DT06-2S-P012	
		Extraction Tool			
	134015	Crimp Tool		HDT-48-00	

TWO-POSITION CONNECTORS

3.11

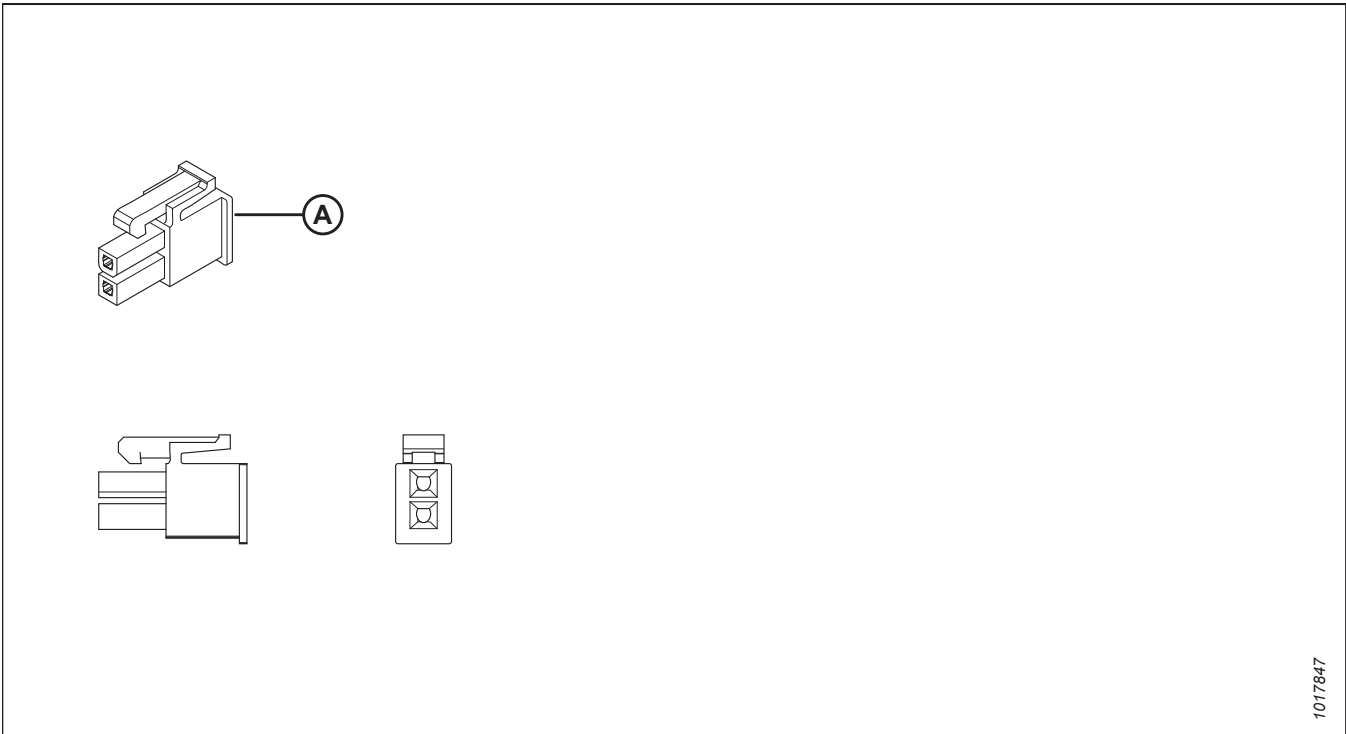


1007853

	MacDon Part #	Description	Manufacturer	Series	Manufacturer Part #
A		Connector – Plug	Tyco		180907-5
		Terminal – Pin	Tyco		42100-2 42281-1
		Mating Connector			
		Extraction Tool			
		Crimp Tool			

TWO-POSITION CONNECTORS

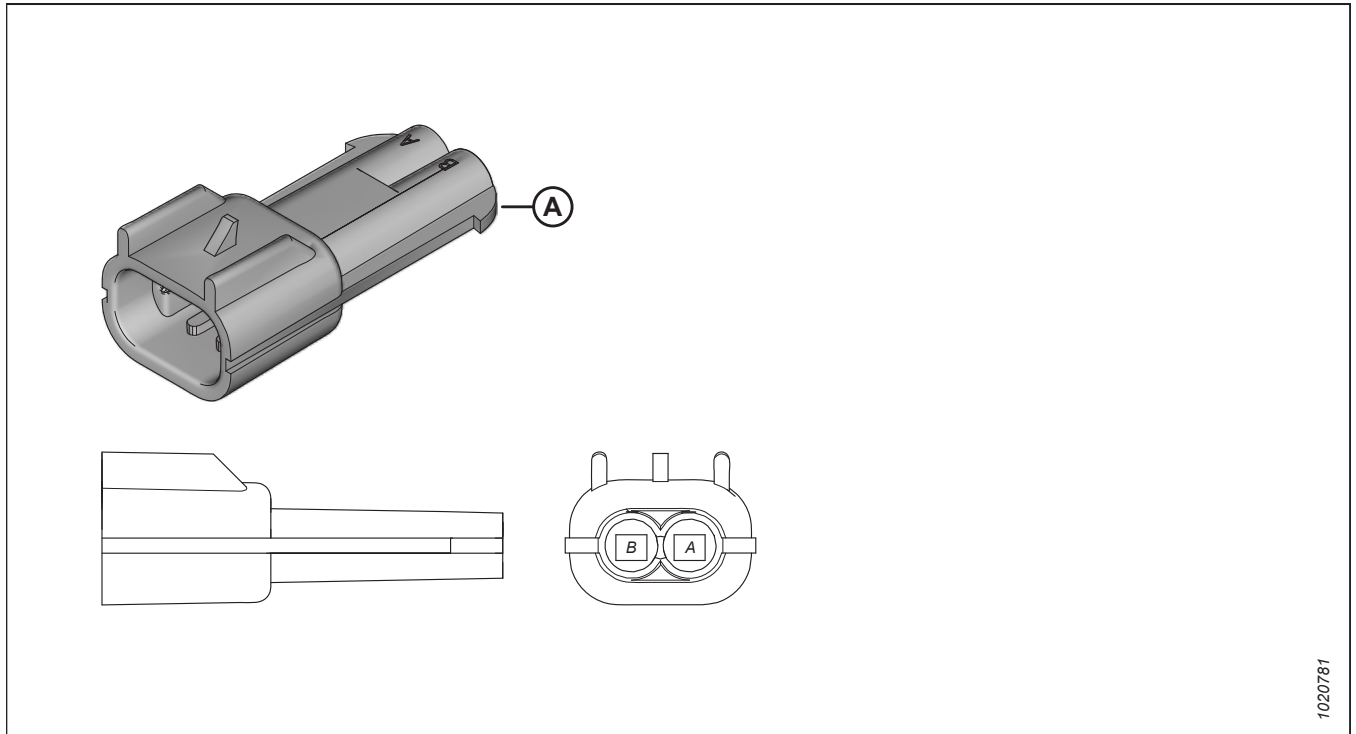
3.12



	MacDon Part #	Description	Manufacturer	Series	Manufacturer Part #
A	135675	Connector – Plug	Molex	5557	39-01-3022
		Terminal – Socket (18–24 ga)	Molex	5556	39-00-0038
		Terminal – Socket (16 ga)	Molex	5556	39-00-0077
		Mating Connector	Molex 39-01-2021, 39-01-3023		
		Extraction Tool			
		Crimp Tool			

TWO-POSITION CONNECTORS

3.13

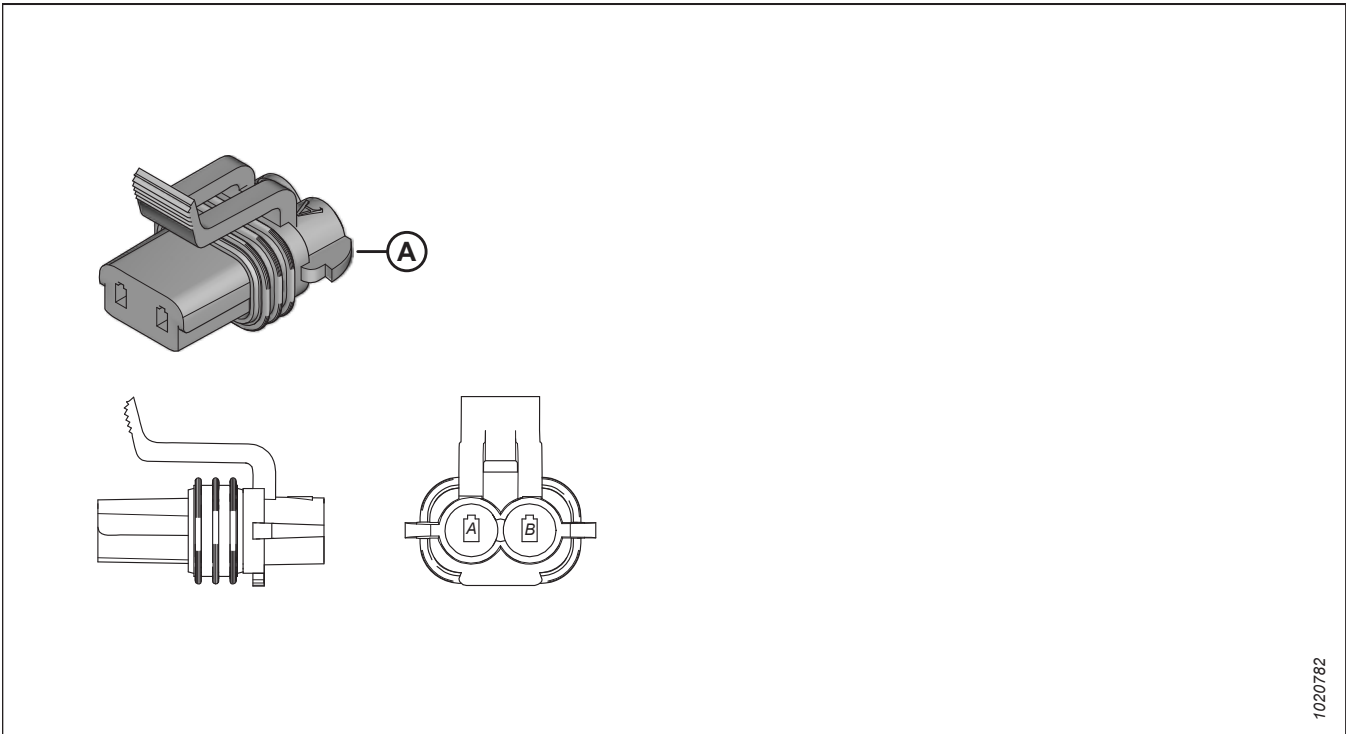


1020781

	MacDon Part #	Description	Manufacturer	Series	Manufacturer Part #
A		Connector – Receptacle	Delphi	Metri-Pack 280	15300002
		Terminal			12124977, 12048254, 12048159, 12129497
		Lock			
		Secondary Lock			15344855, 15300014
		Seal			
		Mating Connector	12162693, 12162694, 15300008, 15300027, 15332187, 15396053		
		Extraction Tool			
		Crimp Tool			
		Cavity Plug			
		Boots/Caps			

TWO-POSITION CONNECTORS

3.14

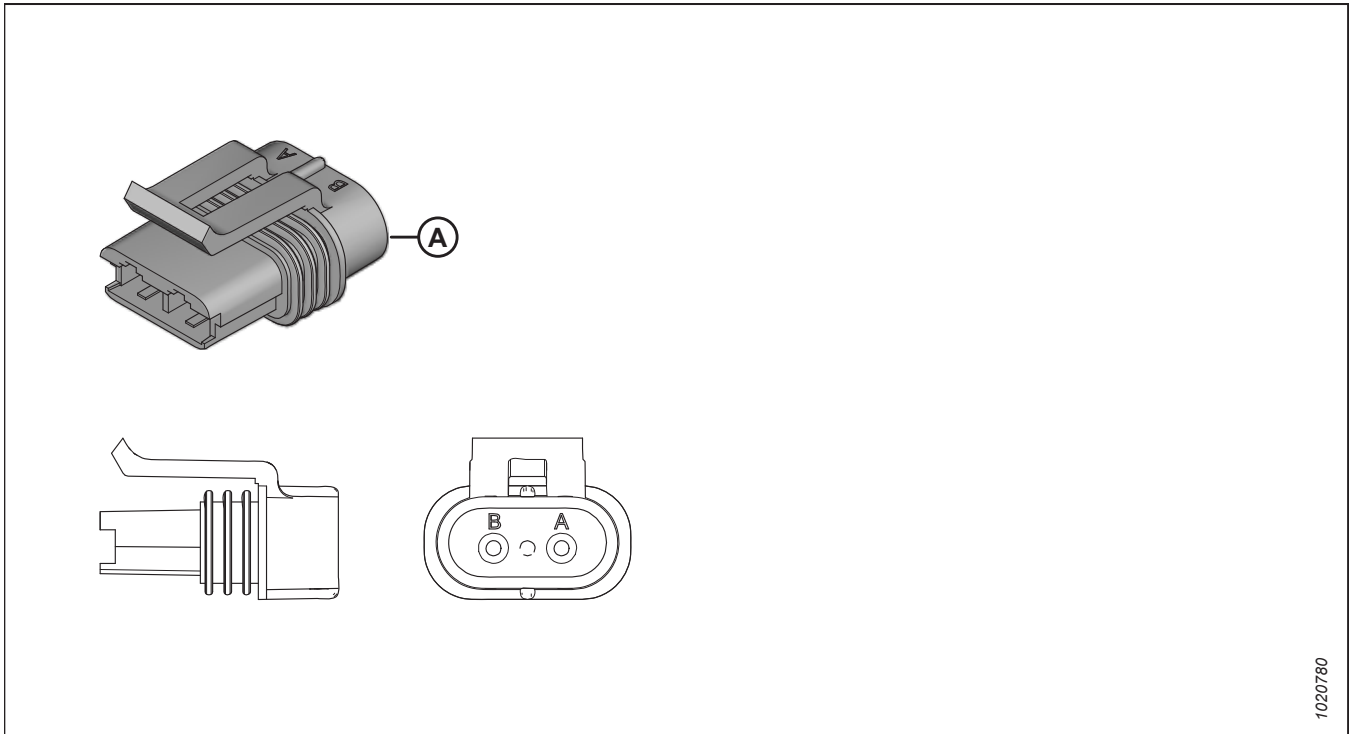


1020782

	MacDon Part #	Description	Manufacturer	Series	Manufacturer Part #
A		Connector – Plug	Delphi		15300027
		Terminal			12077411, 12077412, 12077413, 12066214, 12084201, 12176387, 12176388, 12176389, 12176390, 12129493
		Lock			
		Secondary Lock			15300014
		Seal			15300020
		Mating Connector	15300032, 15300002, 15417946		
		Extraction Tool			
		Crimp Tool			
		Cavity Plug			
		Boots/Caps			

TWO-POSITION CONNECTORS

3.15

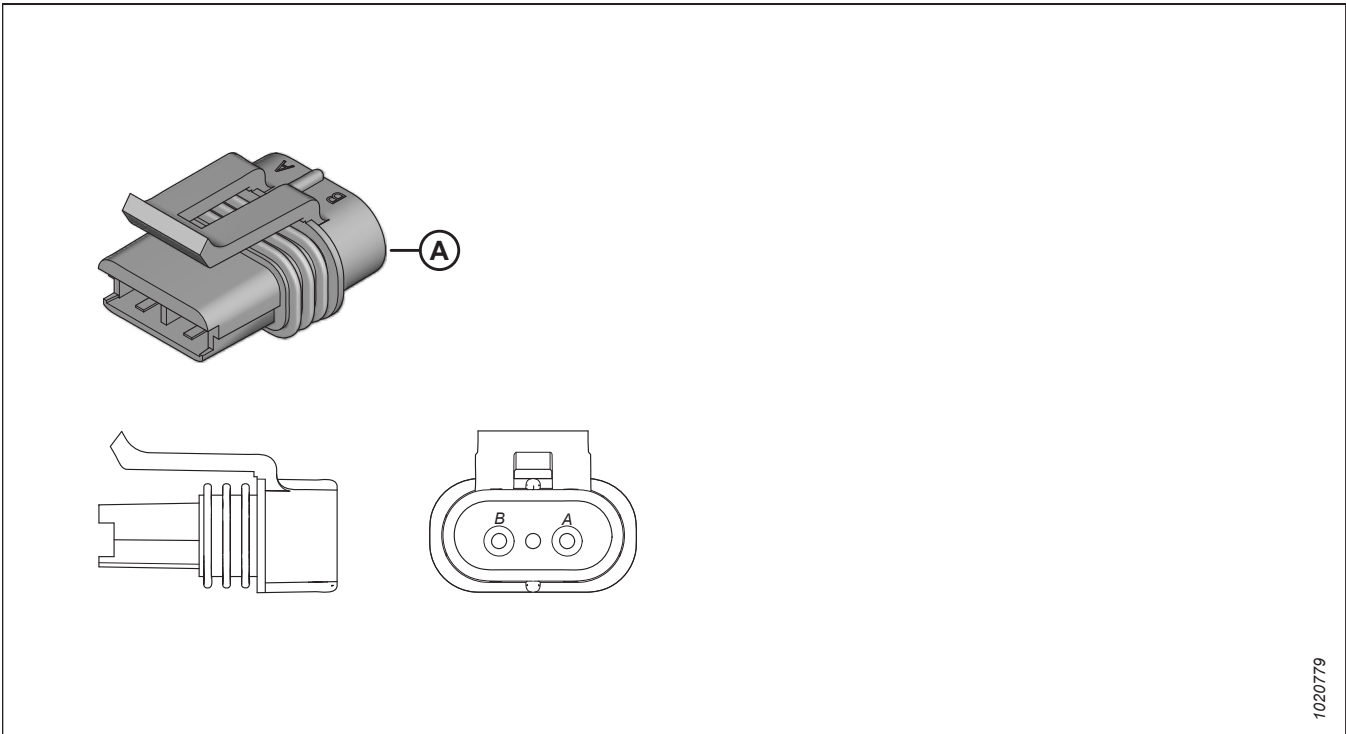


1020780

	MacDon Part #	Description	Manufacturer	Series	Manufacturer Part #
A		Connector – Plug	Delphi		12085030
		Terminal			12033997, 12066614, 12020156
		Lock			
		Secondary Lock			
		Cable Seal – Light Green			12085024
		Mating Connector		12110539	
		Extraction Tool		12094429	
		Crimp Tool			
		Cavity Plug			
		Boots/Caps		12146104, 12033731	

TWO-POSITION CONNECTORS

3.16

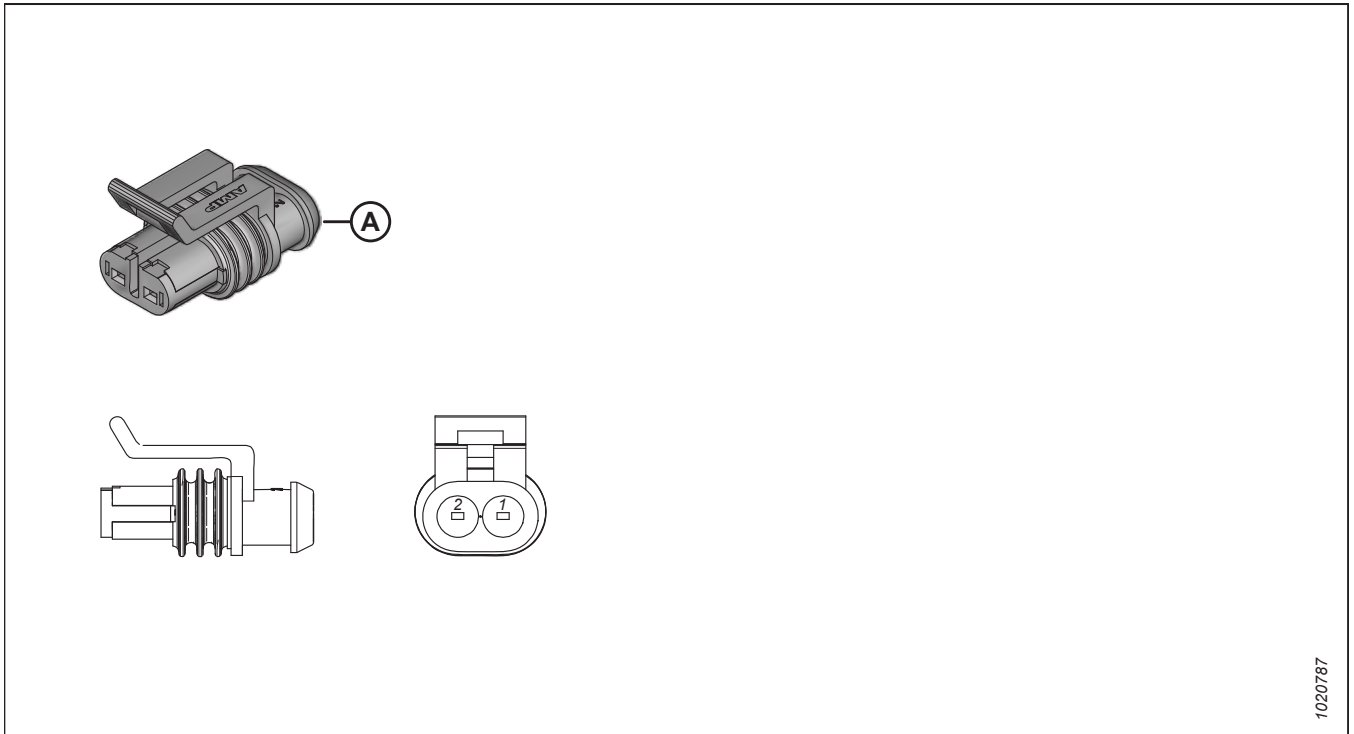


1020779

	MacDon Part #	Description	Manufacturer	Series	Manufacturer Part #
A		Connector – Plug	Delphi		12066681
		Terminal			12033997, 12066614, 12020156
		Lock			
		Secondary Lock			
		Cable Seal – Light Gray			12066680
		Mating Connector		12110539	
		Extraction Tool		12094429	
		Crimp Tool			
		Cavity Plug			
		Boots/Caps		12146104, 12033731	

TWO-POSITION CONNECTORS

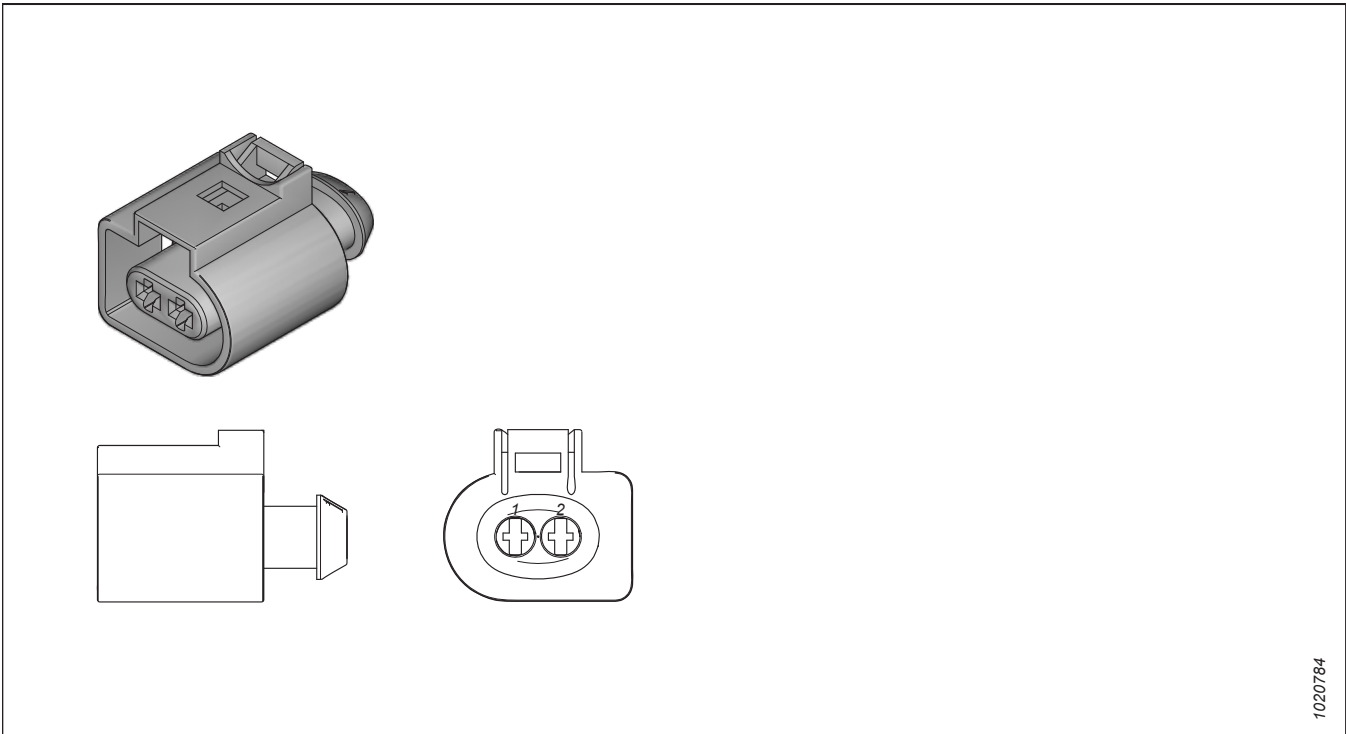
3.17



	MacDon Part #	Description	Manufacturer	Series	Manufacturer Part #
A		Connector – Plug	Tyco		282080-1
		Terminal			282110-1, 282403-1, 282466-1
		Lock			
		Secondary Lock			
		Seal			281934
		Mating Connector		282104	
		Extraction Tool			
		Crimp Tool			
		Cavity Plug		282081-1	
		Boots/Caps			

TWO-POSITION CONNECTORS

3.18

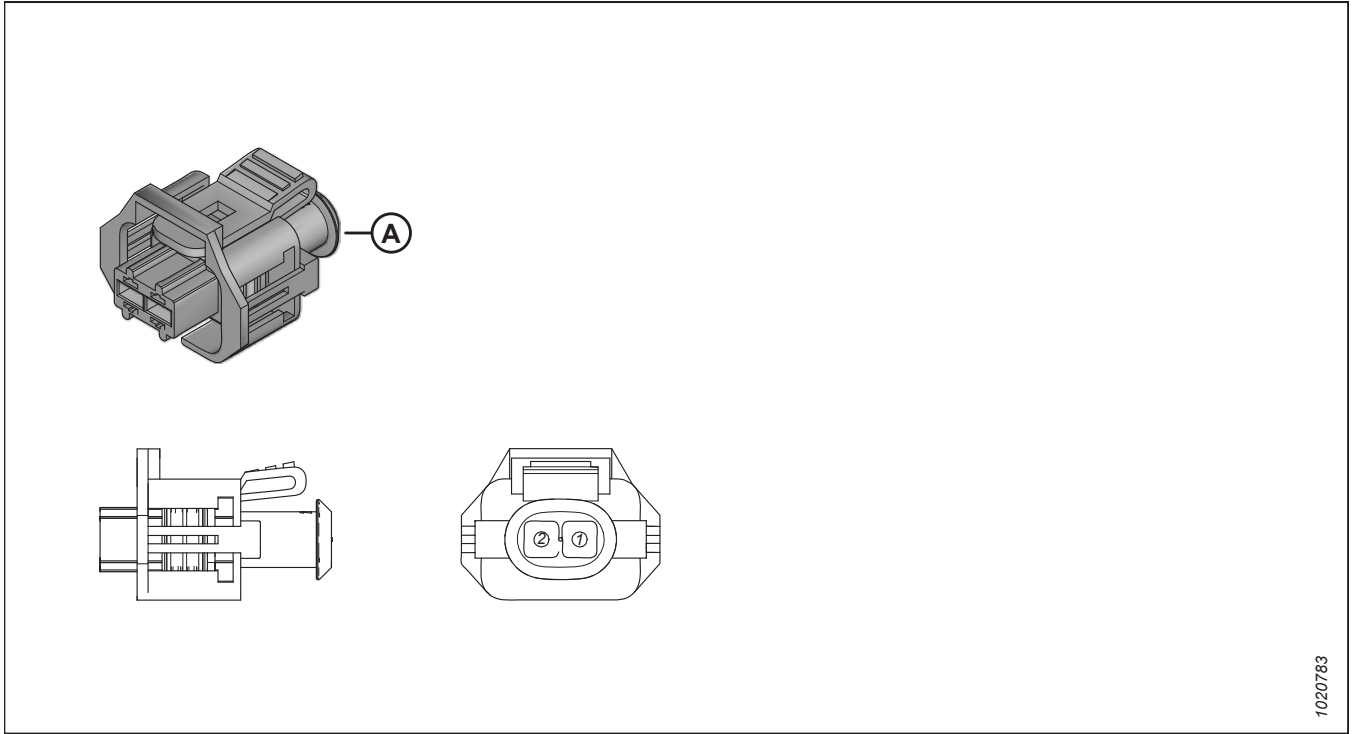


1020784

	MacDon Part #	Description	Manufacturer	Series	Manufacturer Part #
A		Connector – Plug	Tyco		1-1355200-1
		Terminal			
		Lock			
		Secondary Lock			
		Seal			
		Mating Connector			
		Extraction Tool			
		Crimp Tool			
		Cavity Plug			
		Boots/Caps			

TWO-POSITION CONNECTORS

3.19

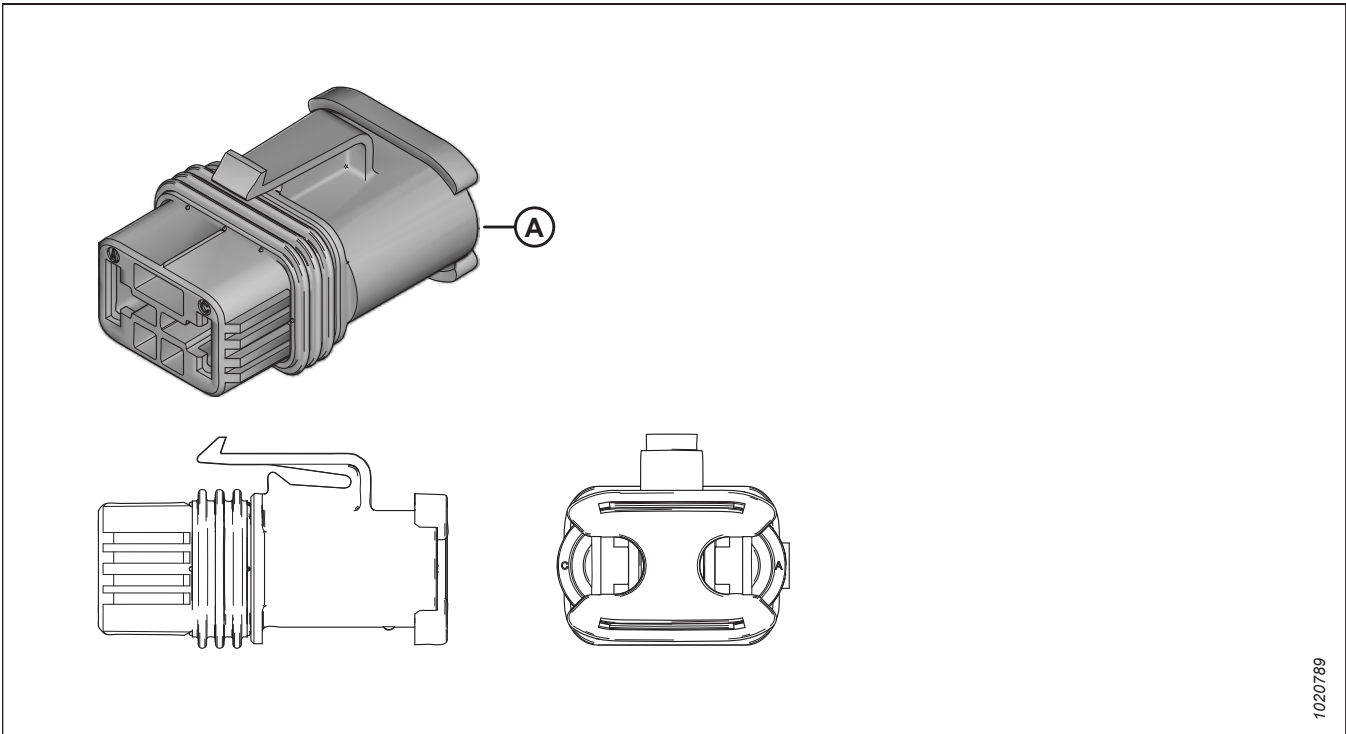


1020783

	MacDon Part #	Description	Manufacturer	Series	Manufacturer Part #
A		Connector – Plug	Bosch		92840387
		Terminal			
		Lock			
		Secondary Lock			
		Seal			
		Mating Connector			
		Extraction Tool			
		Crimp Tool			
		Cavity Plug			
		Boots/Caps			

TWO-POSITION CONNECTORS

3.20

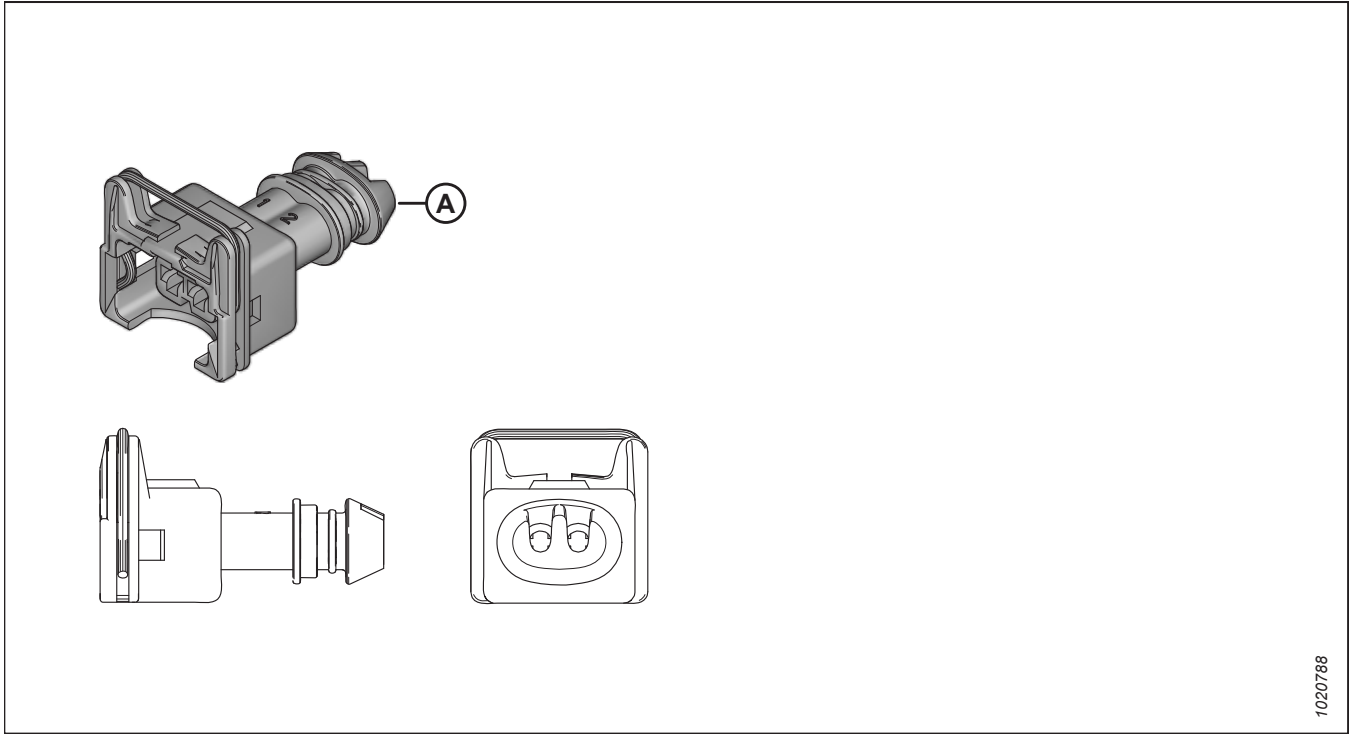


1020789

	MacDon Part #	Description	Manufacturer	Series	Manufacturer Part #
A		Connector – Plug (BLACK)	Cooper Bussmann	32000	32004-A2
		Terminal		Female Terminal Delphi Packard 800 Metri-Pack®	
		Lock			32004-TP2
		Secondary Lock			
		Seal			12129381
		Mating Connector			
		Extraction Tool			
		Crimp Tool			
		Cavity Plug			
		Boots/Caps			

TWO-POSITION CONNECTORS

3.21

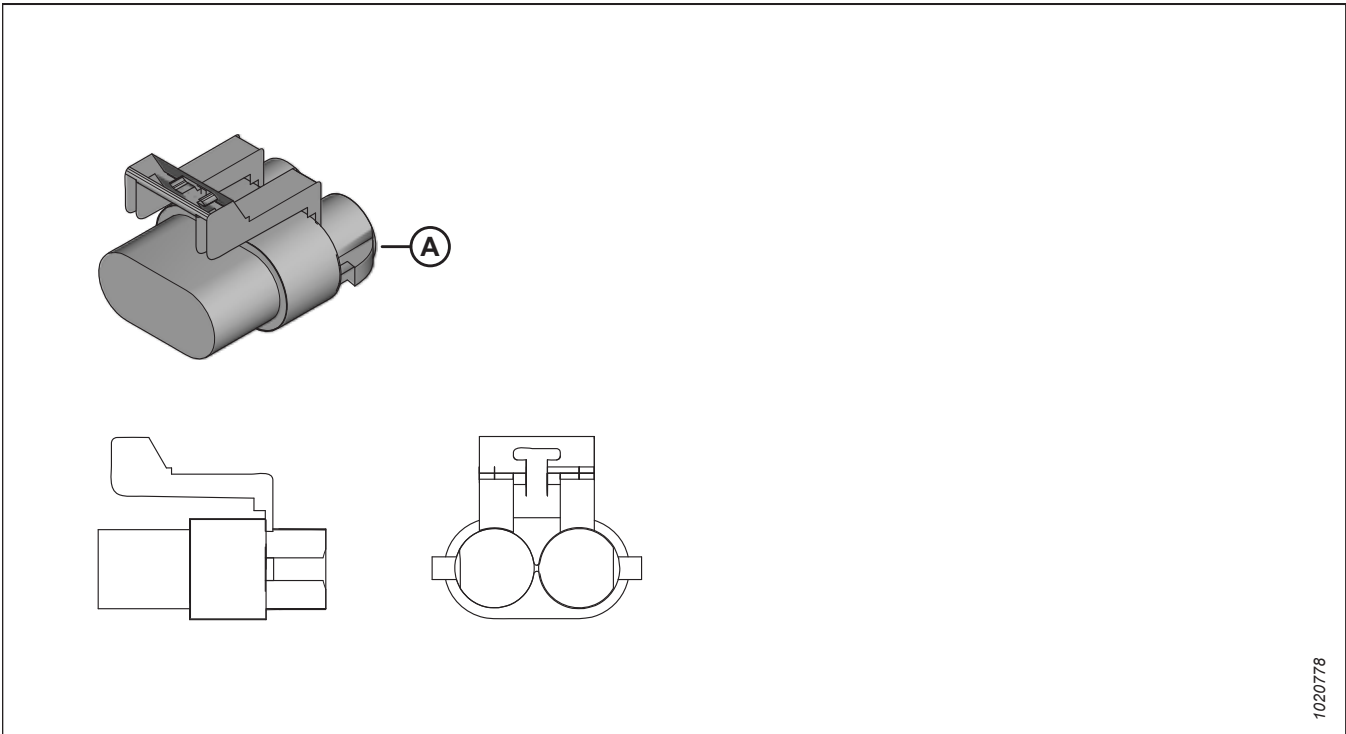


1020788

	MacDon Part #	Description	Manufacturer	Series	Manufacturer Part #
A		Connector – Receptacle	Tyco		282189-1
		Terminal			
		Lock			
		Secondary Lock			
		Seal			
		Mating Connector			
		Extraction Tool			
		Crimp Tool			
		Cavity Plug			
		Boots/Caps			

TWO-POSITION CONNECTORS

3.22

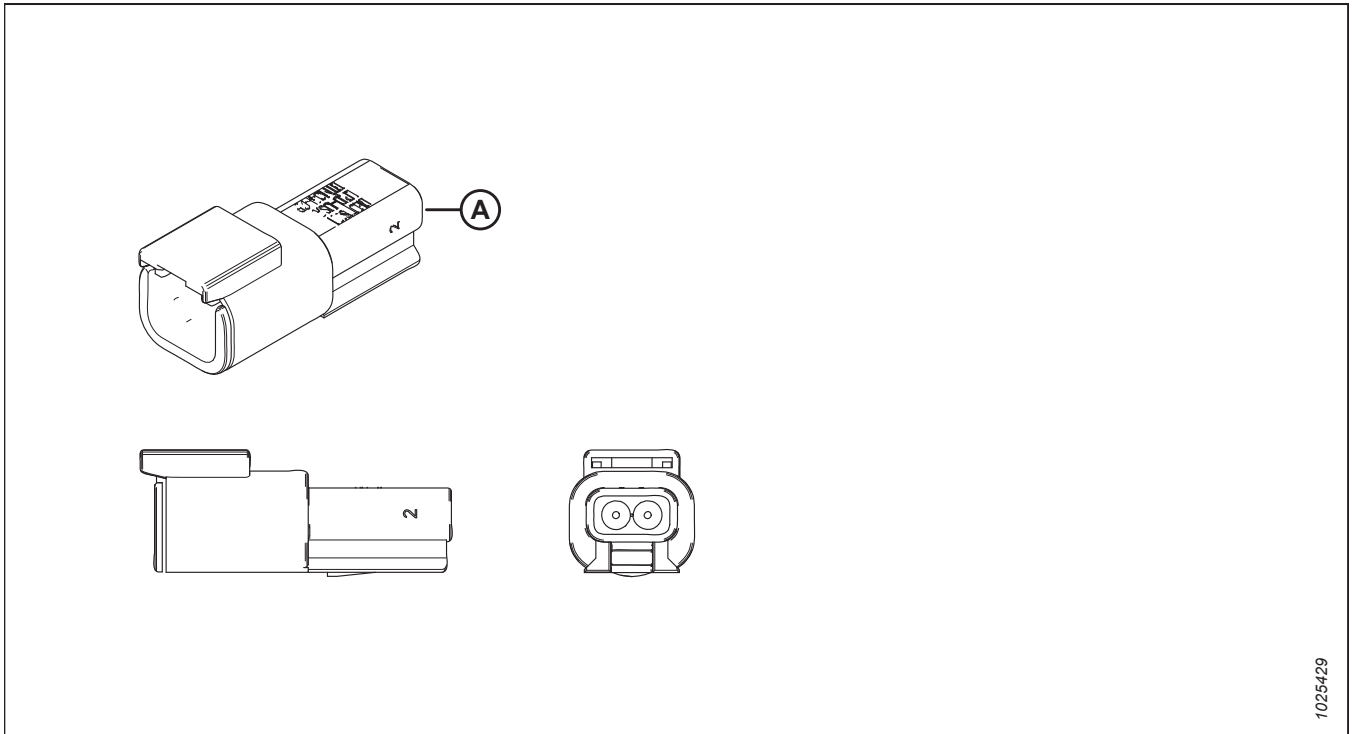


1020778

	MacDon Part #	Description	Manufacturer	Series	Manufacturer Part #
A		Connector – Plug	Delphi		12052613
		Terminal			
		Lock			
		Secondary Lock			
		Seal			
		Mating Connector			
		Extraction Tool			
		Crimp Tool			
		Cavity Plug			
		Boots/Caps			

TWO-POSITION CONNECTORS

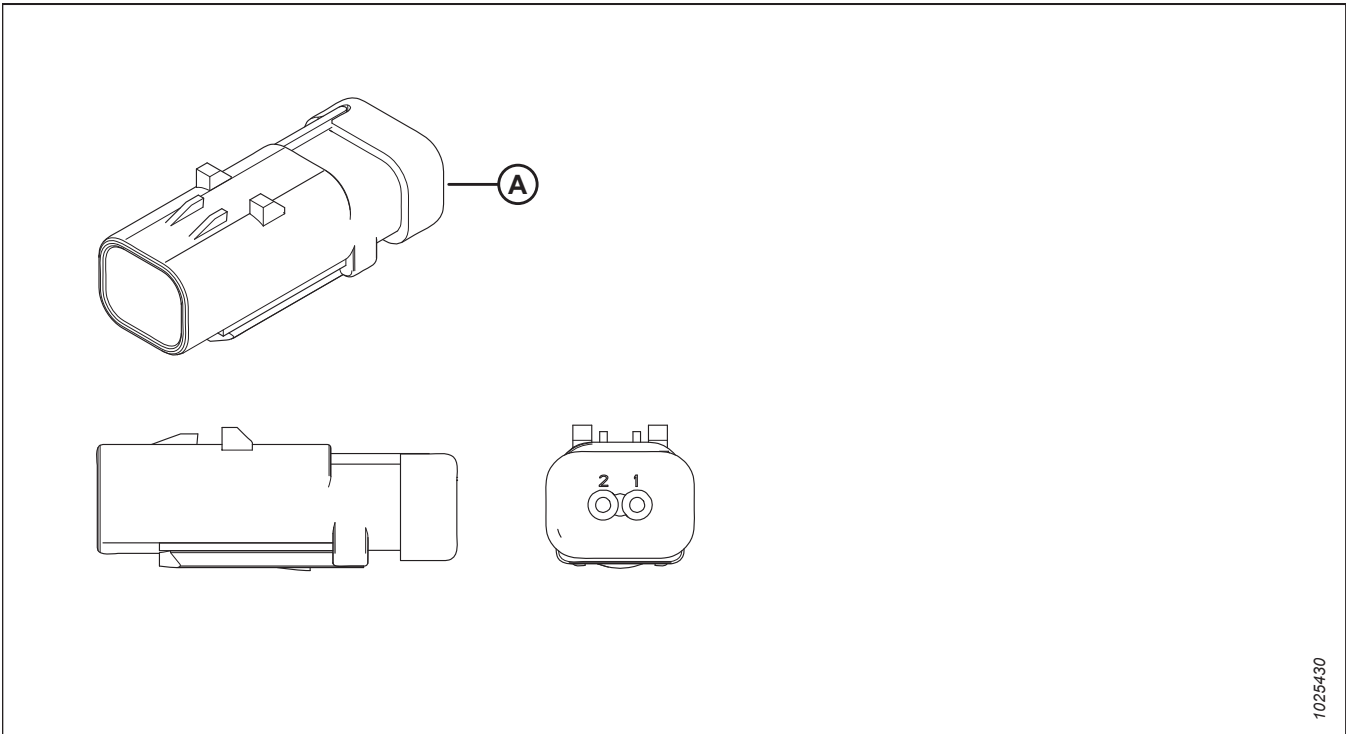
3.23



	MacDon Part #	Description	Manufacturer	Series	Manufacturer Part #
A		Connector – Receptacle	Deutsch	DT	DTM04-2P
		Terminal			0460-202-20141, 0460-202-2031
		Lock			WM-2P
		Secondary Lock			
		Seal			
		Mating Connector		DTM06-2S	
		Extraction Tool		DT-RT1	
		Crimp Tool			
		Cavity Plug			
		Boots/Caps		DTM2P-BT	

TWO-POSITION CONNECTORS

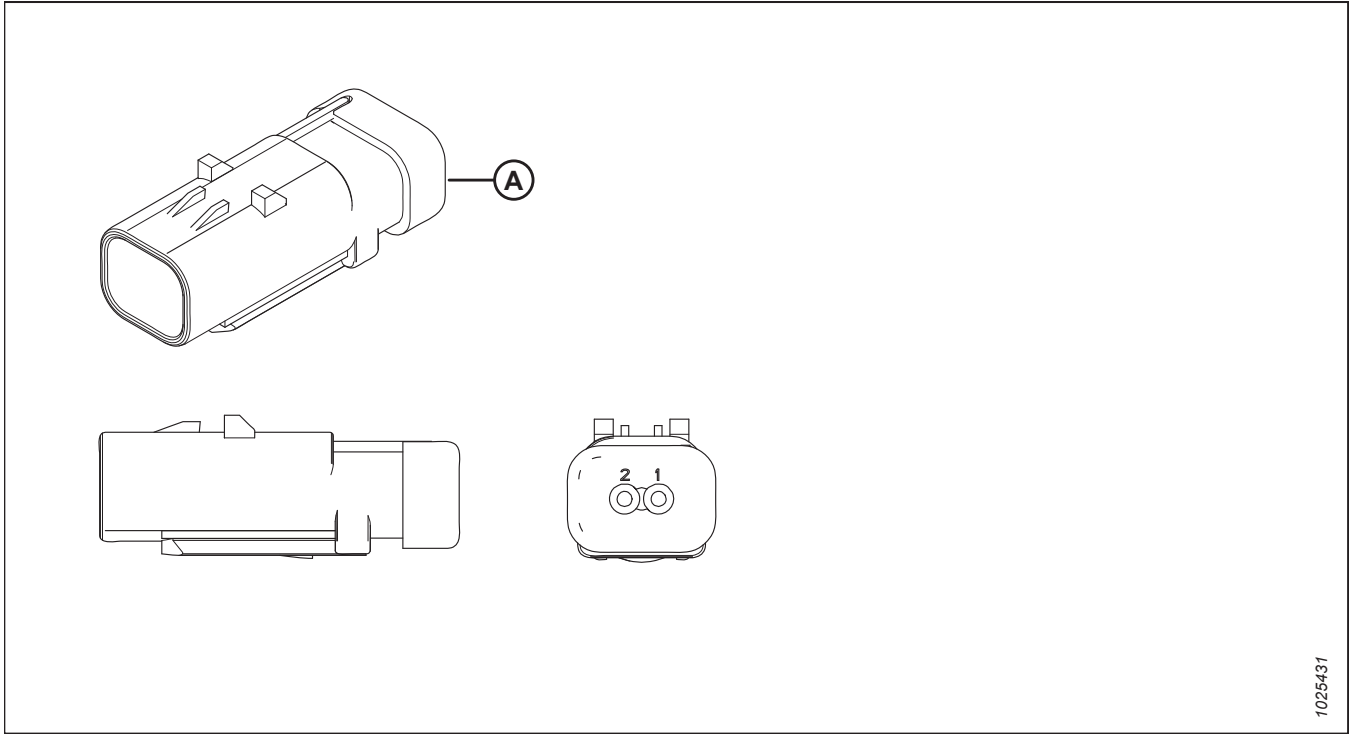
3.24



	MacDon Part #	Description	Manufacturer	Series	Manufacturer Part #
A		Connector – Receptacle (RED Insert)	Tyco	Ampseal 16	776428-1
		Terminal			638078, 638112, 2098252,
		Lock			
		Secondary Lock			
		Seal			
		Mating Connector			
		Extraction Tool		776441-1	
		Crimp Tool			
		Cavity Plug		776363-1	
		Boots/Caps		1326978, 2035047, 2035366, 2292860, 2302481	

TWO-POSITION CONNECTORS

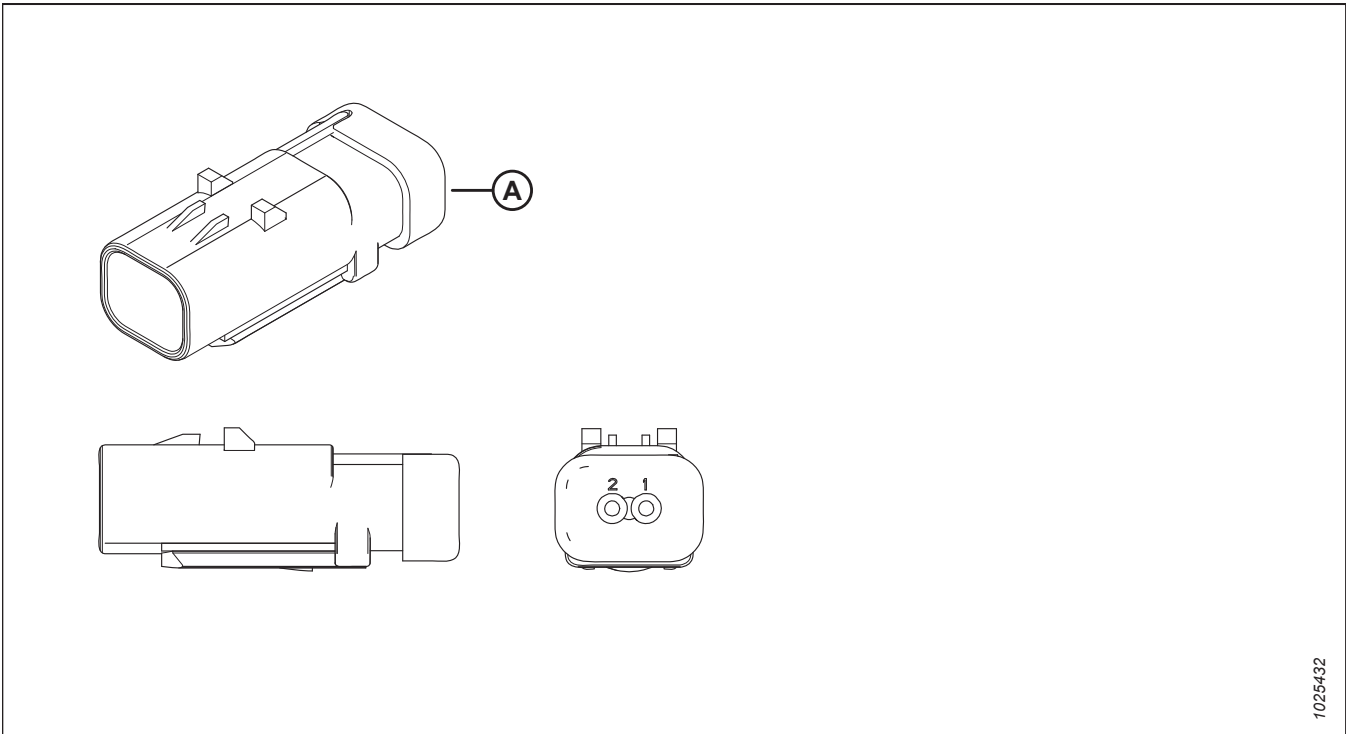
3.25



	MacDon Part #	Description	Manufacturer	Series	Manufacturer Part #
A		Connector – Receptacle (GRAY Insert)	Tyco	Ampseal 16	776428-2
		Terminal			638078, 638112, 2098252
		Lock			
		Secondary Lock			
		Seal			
		Mating Connector			
		Extraction Tool		776441-1	
		Crimp Tool			
		Cavity Plug		776363-1	
		Boots/Caps		1326978, 2035047, 2035366, 2292860, 2302481	

TWO-POSITION CONNECTORS

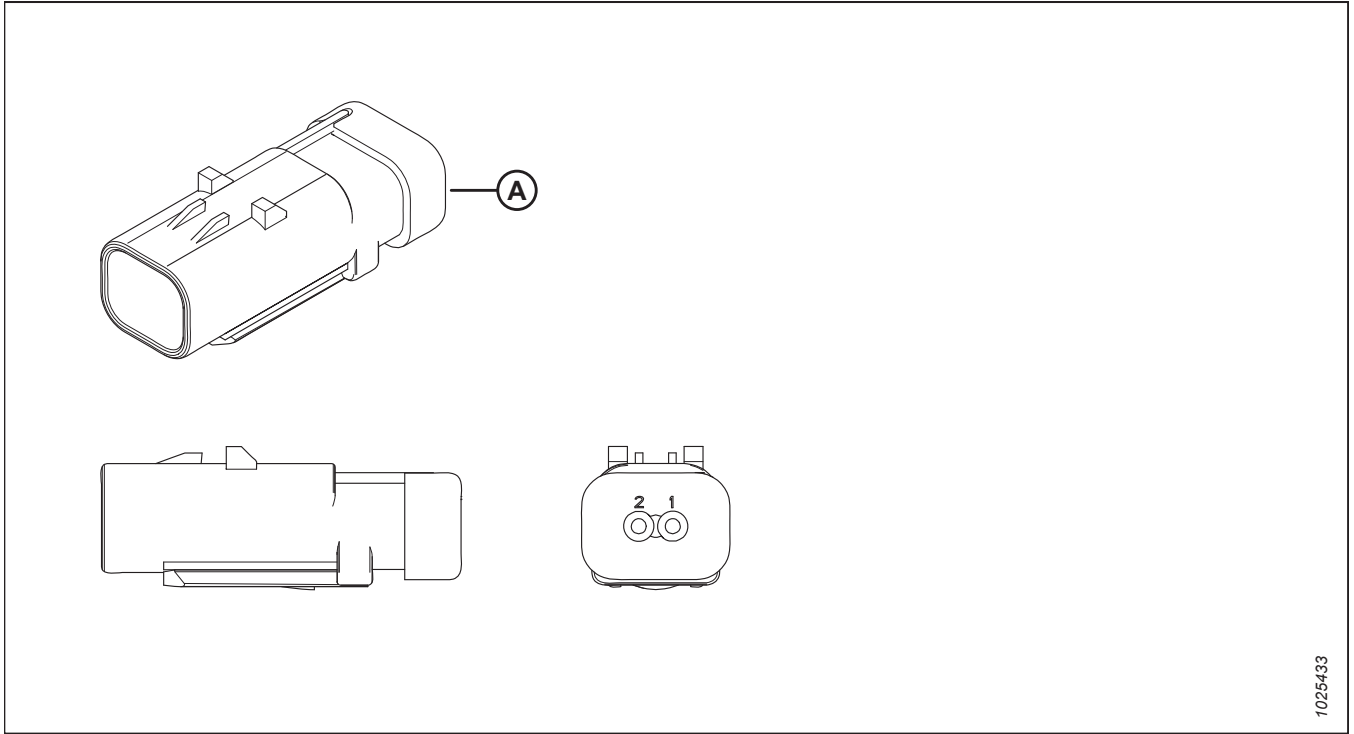
3.26



	MacDon Part #	Description	Manufacturer	Series	Manufacturer Part #
A		Connector – Receptacle (YELLOW Insert)	Tyco	Ampseal 16	776428-3
		Terminal			638078, 638112, 2098252
		Lock			
		Secondary Lock			
		Seal			
		Mating Connector			
		Extraction Tool		776441-1	
		Crimp Tool			
		Cavity Plug		776363-1	
		Boots/Caps		1326978, 2035047, 2035366, 2292860, 2302481	

TWO-POSITION CONNECTORS

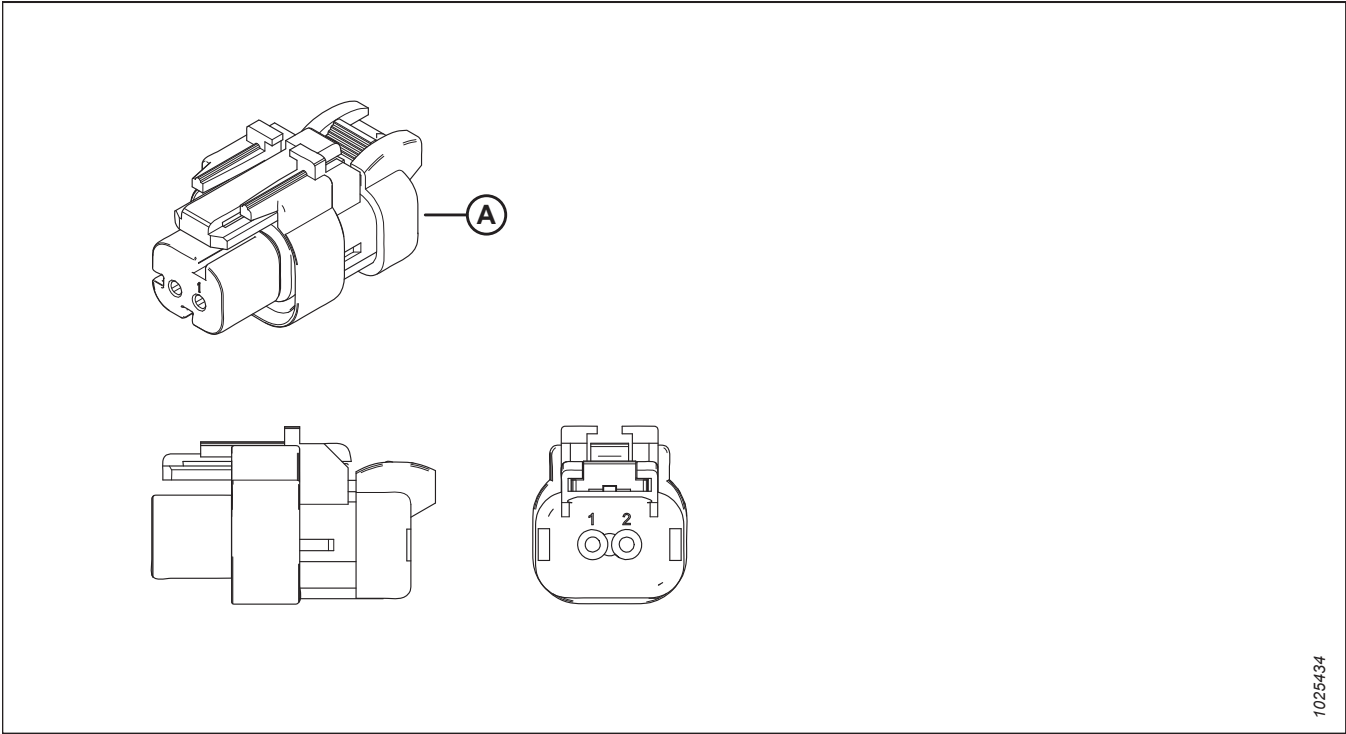
3.27



	MacDon Part #	Description	Manufacturer	Series	Manufacturer Part #
A		Connector – Receptacle (GREEN Insert)	Tyco	Ampseal 16	776428-4
		Terminal			638078, 638112, 2098252
		Lock			
		Secondary Lock			
		Seal			
		Mating Connector			
		Extraction Tool		776441-1	
		Crimp Tool			
		Cavity Plug		776363-1	
		Boots/Caps		1326978, 2035047, 2035366, 2292860, 2302481	

TWO-POSITION CONNECTORS

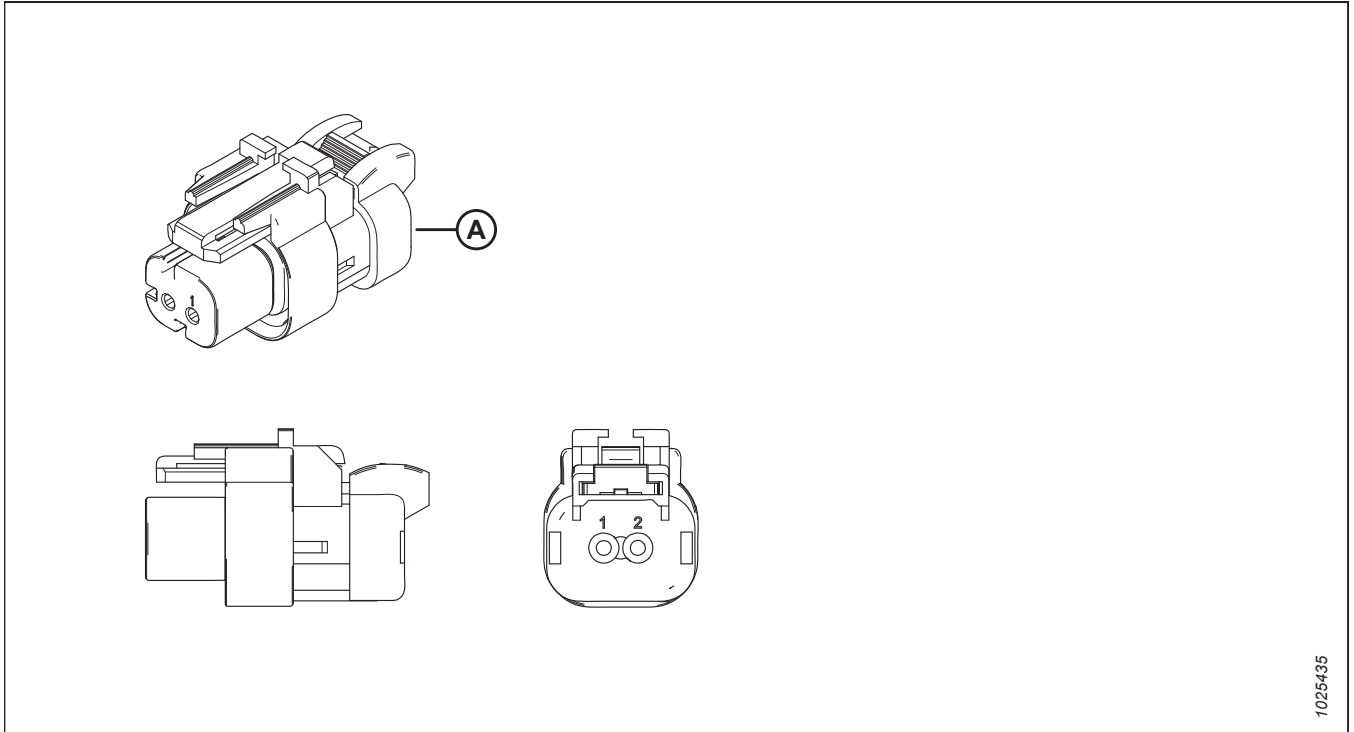
3.28



	MacDon Part #	Description	Manufacturer	Series	Manufacturer Part #
A		Connector – Plug (RED Insert)	Tyco	Ampseal 16	776522-1
		Terminal			1924464, 2098251
		Lock			
		Secondary Lock			
		Seal			2040594-1
		Mating Connector			
		Extraction Tool		776441-1	
		Crimp Tool			
		Cavity Plug		776364-1	
		Boots/Caps	1326978, 2035047, 2035366, 2040594, 2292797, 2302488		

TWO-POSITION CONNECTORS

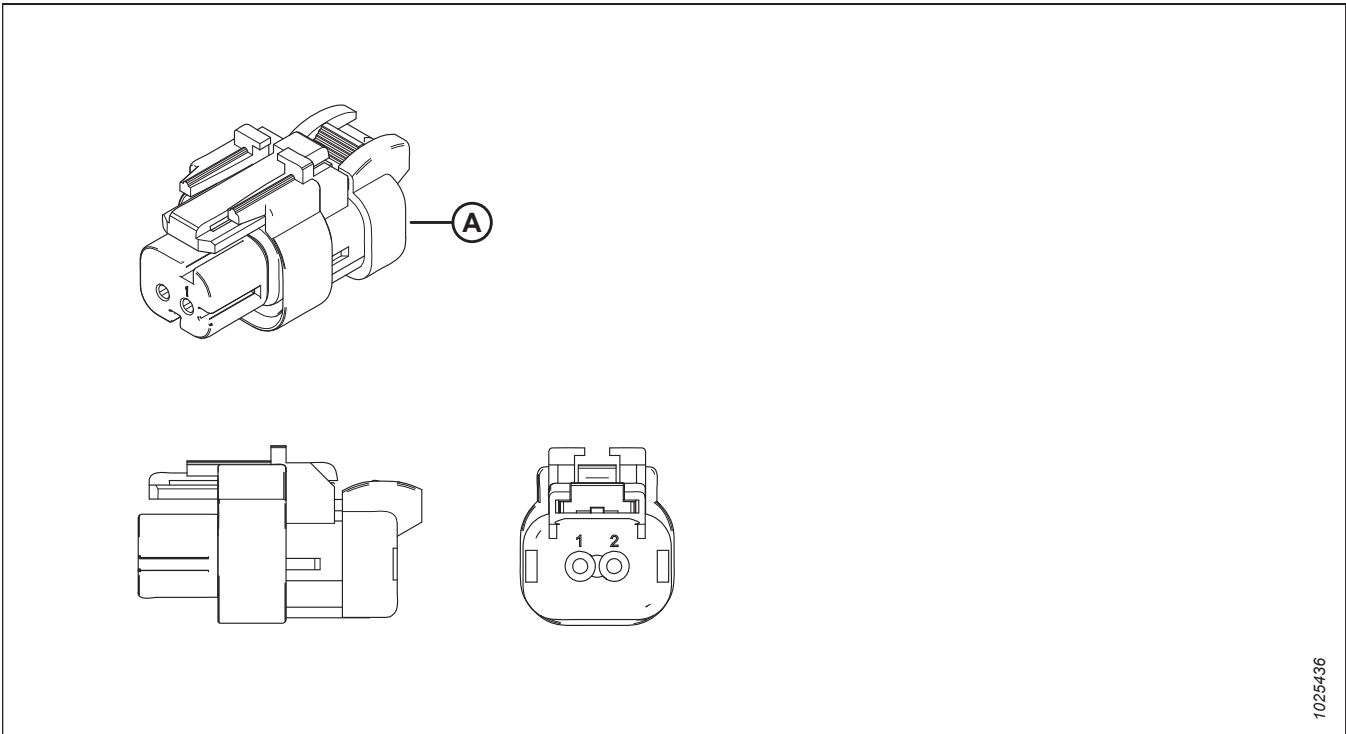
3.29



	MacDon Part #	Description	Manufacturer	Series	Manufacturer Part #
A		Connector – Plug (GRAY Insert)	Tyco	Ampseal 16	776522-2
		Terminal			1924464, 2098251
		Lock			
		Secondary Lock			
		Seal			2040594-1
		Mating Connector			
		Extraction Tool		776441-1	
		Crimp Tool			
		Cavity Plug		776364-1	
		Boots/Caps		1326978, 2035047, 2035366, 2040594, 2292797, 2302488	

TWO-POSITION CONNECTORS

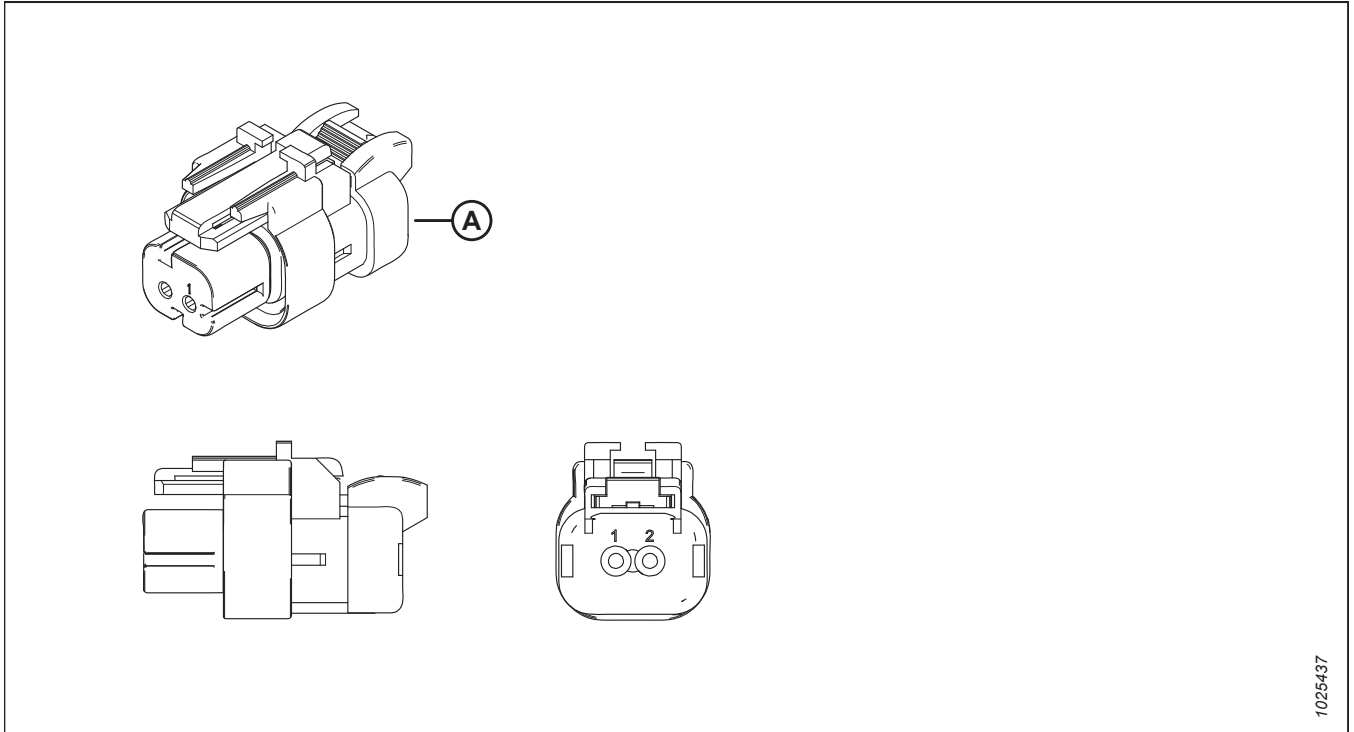
3.30



	MacDon Part #	Description	Manufacturer	Series	Manufacturer Part #
A		Connector – Plug (YELLOW Insert)	Tyco	Ampseal 16	776522-3
		Terminal			1924464, 2098251
		Lock			
		Secondary Lock			
		Seal			2040594-1
		Mating Connector			
		Extraction Tool		776441-1	
		Crimp Tool			
		Cavity Plug		776364-1	
		Boots/Caps	1326978, 2035047, 2035366, 2040594, 2292797, 2302488		

TWO-POSITION CONNECTORS

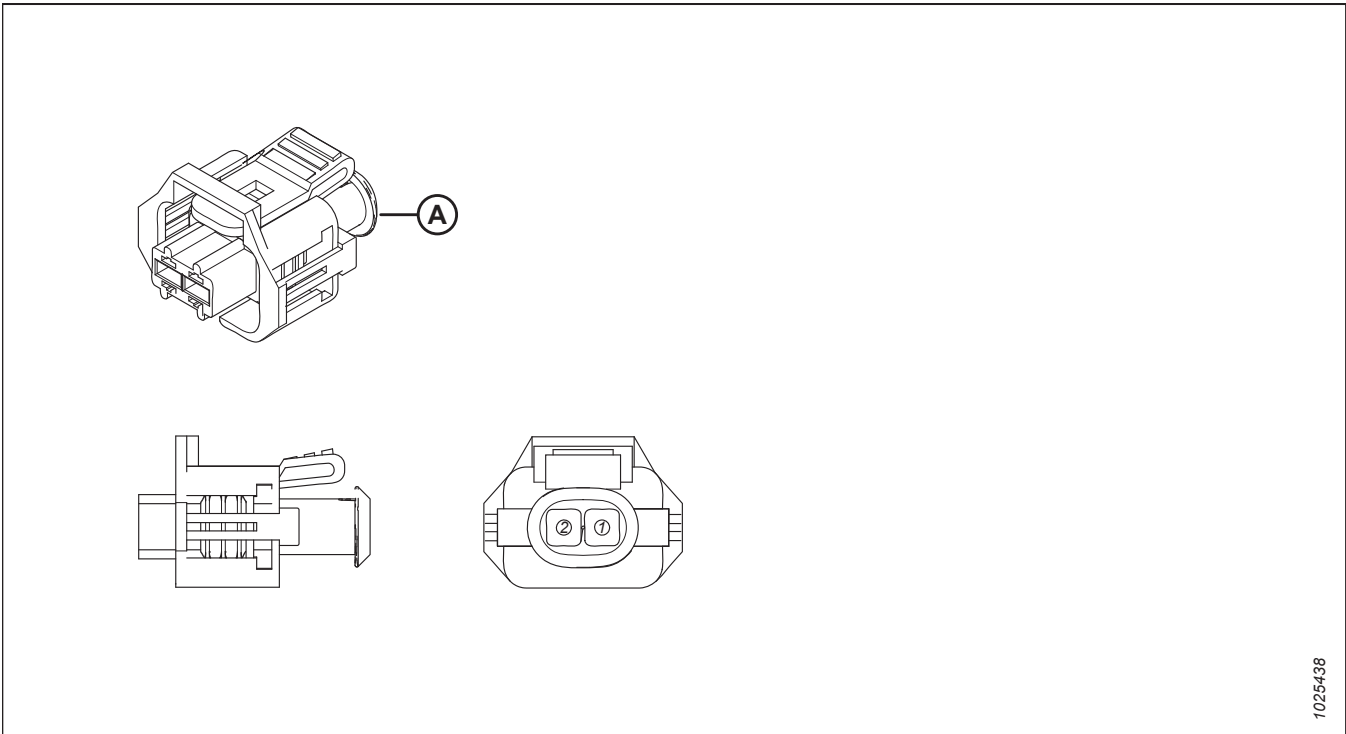
3.31



	MacDon Part #	Description	Manufacturer	Series	Manufacturer Part #
A		Connector – Plug (GREEN Insert)	Tyco	Ampseal 16	776522-4
		Terminal			1924464, 2098251
		Lock			
		Secondary Lock			
		Seal			2040594-1
		Mating Connector			
		Extraction Tool		776441-1	
		Crimp Tool			
		Cavity Plug		776364-1	
		Boots/Caps		1326978, 2035047, 2035366, 2040594, 2292797, 2302488	

TWO-POSITION CONNECTORS

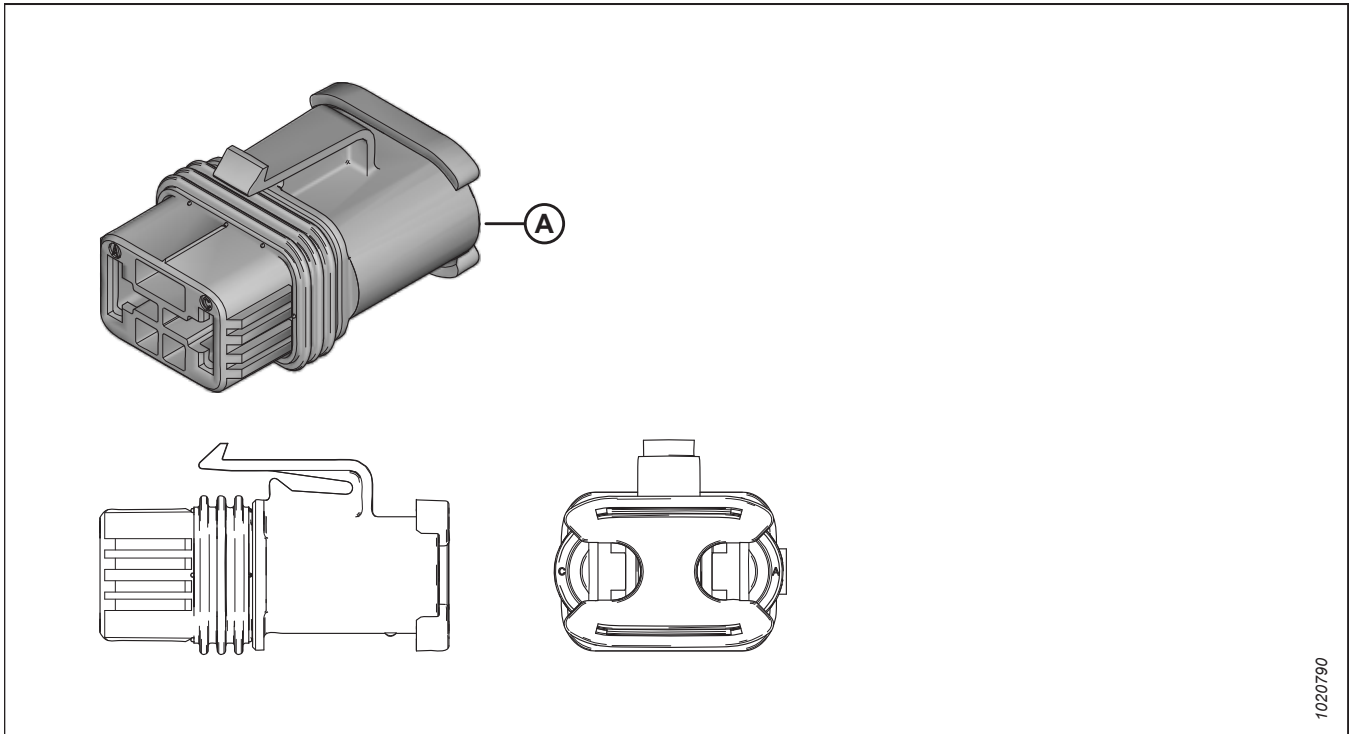
3.32



	MacDon Part #	Description	Manufacturer	Series	Manufacturer Part #
A		Connector – Plug	Bosch		928404-655
		Terminal			1928498054, 1928498056, 1928498057
		Lock			
		Secondary Lock			
		Seal			1928300599, 1928300600, 1928300601
		Mating Connector	1928404226		
		Extraction Tool	Bosch BDK / BSK 2.8		
		Crimp Tool			
		Cavity Plug			
		Boots/Caps			

TWO-POSITION CONNECTORS

3.33

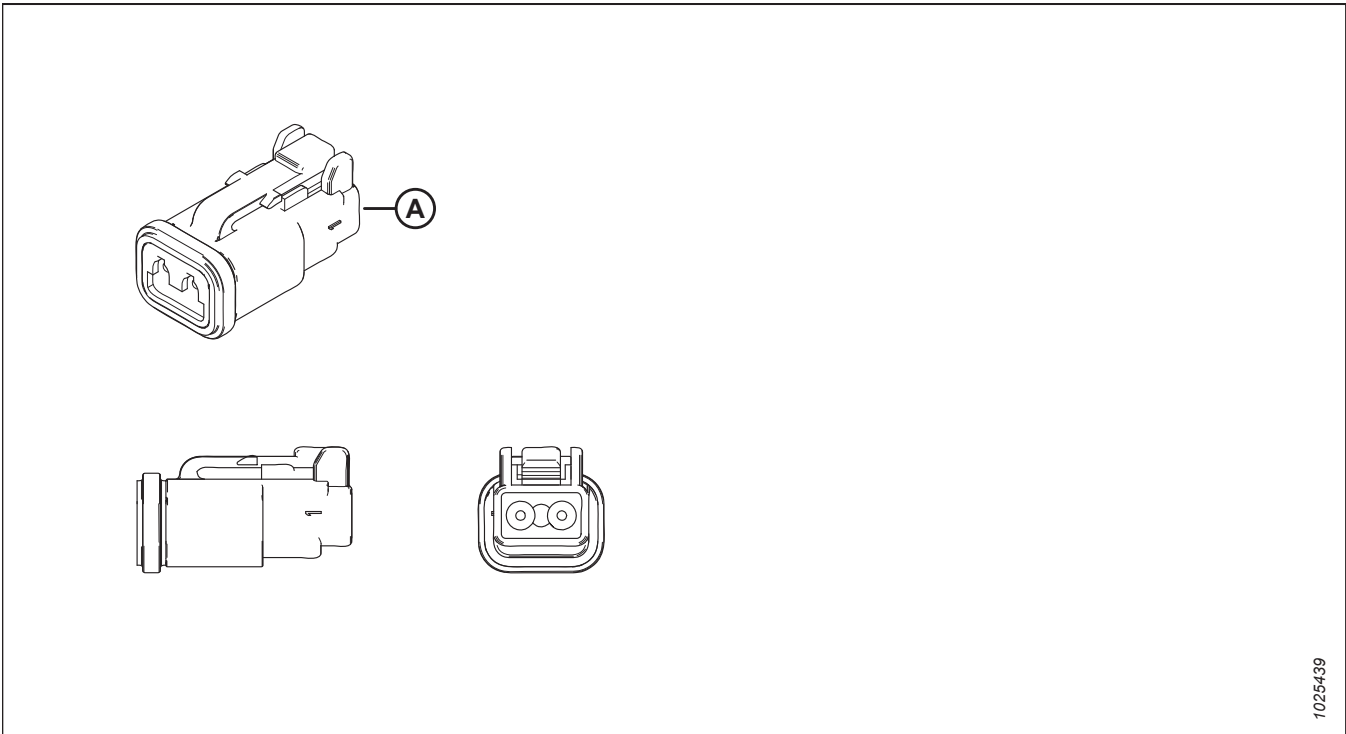


1020790

	MacDon Part #	Description	Manufacturer	Series	Manufacturer Part #
A		Connector – Plug (GRAY)	Cooper Bussmann	32000	32004-B2
		Terminal		Female Terminal Delphi Packard 800 Metri-Pack®	
		Lock			32004-TP2
		Secondary Lock			
		Seal			12129381
		Mating Connector			
		Extraction Tool			
		Crimp Tool			
		Cavity Plug			
		Boots/Caps			

TWO-POSITION CONNECTORS

3.34



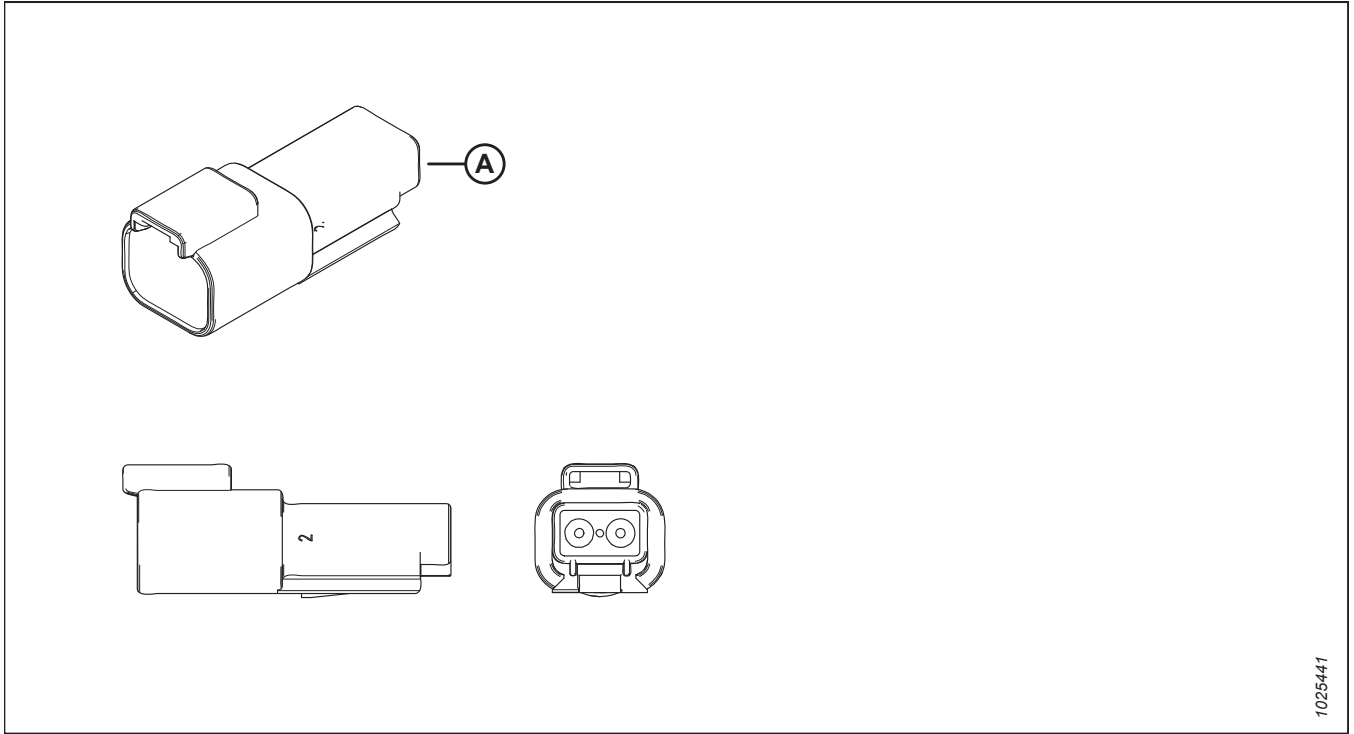
1025439

	MacDon Part #	Description	Manufacturer	Series	Manufacturer Part #
A		Connector – Plug	Deutsch	DT	DT06-2S ²
		Terminal			
		Lock			
		Secondary Lock			
		Seal			
		Mating Connector		DT04-2P	
		Extraction Tool			
		Crimp Tool			
		Cavity Plug			
		Boots/Caps			

2. DT06-2S-CE06 is the same as DT06-2S, but with reduced diameter seals (E seals).

TWO-POSITION CONNECTORS

3.35



1025441

	MacDon Part #	Description	Manufacturer	Series	Manufacturer Part #
A		Connector	Deutsch	DT	DT04-2P
		Terminal			
		Lock			
		Secondary Lock			
		Seal			
		Mating Connector		DT06-2S	
		Extraction Tool			
		Crimp Tool			
		Cavity Plug			
		Boots/Caps			

TWO-POSITION CONNECTORS

3.36

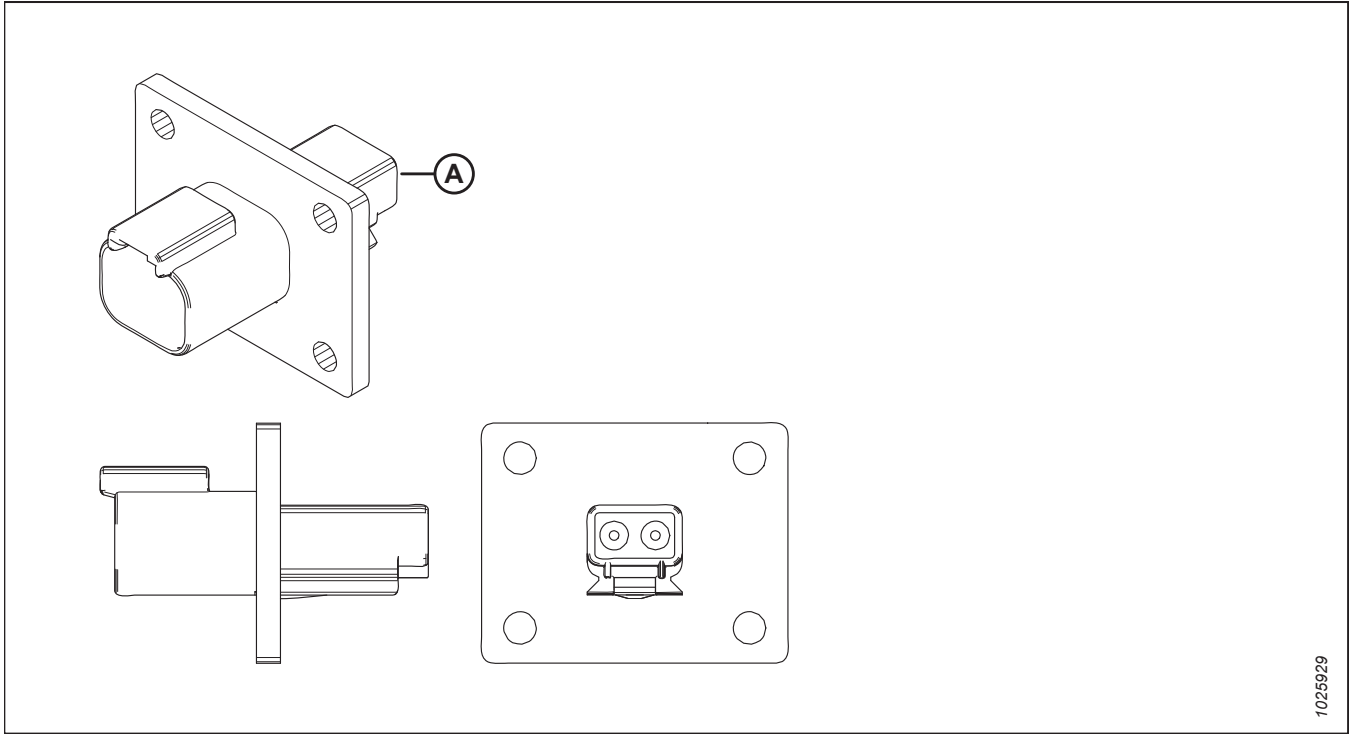


1025928

	MacDon Part #	Description	Manufacturer	Series	Manufacturer Part #
A		Connector – Receptacle	Molex		39-01-3023
		Terminal			
		Lock			
		Secondary Lock			
		Seal			
		Mating Connector			
		Extraction Tool			
		Crimp Tool			
		Cavity Plug			
		Boots/Caps			

TWO-POSITION CONNECTORS

3.37

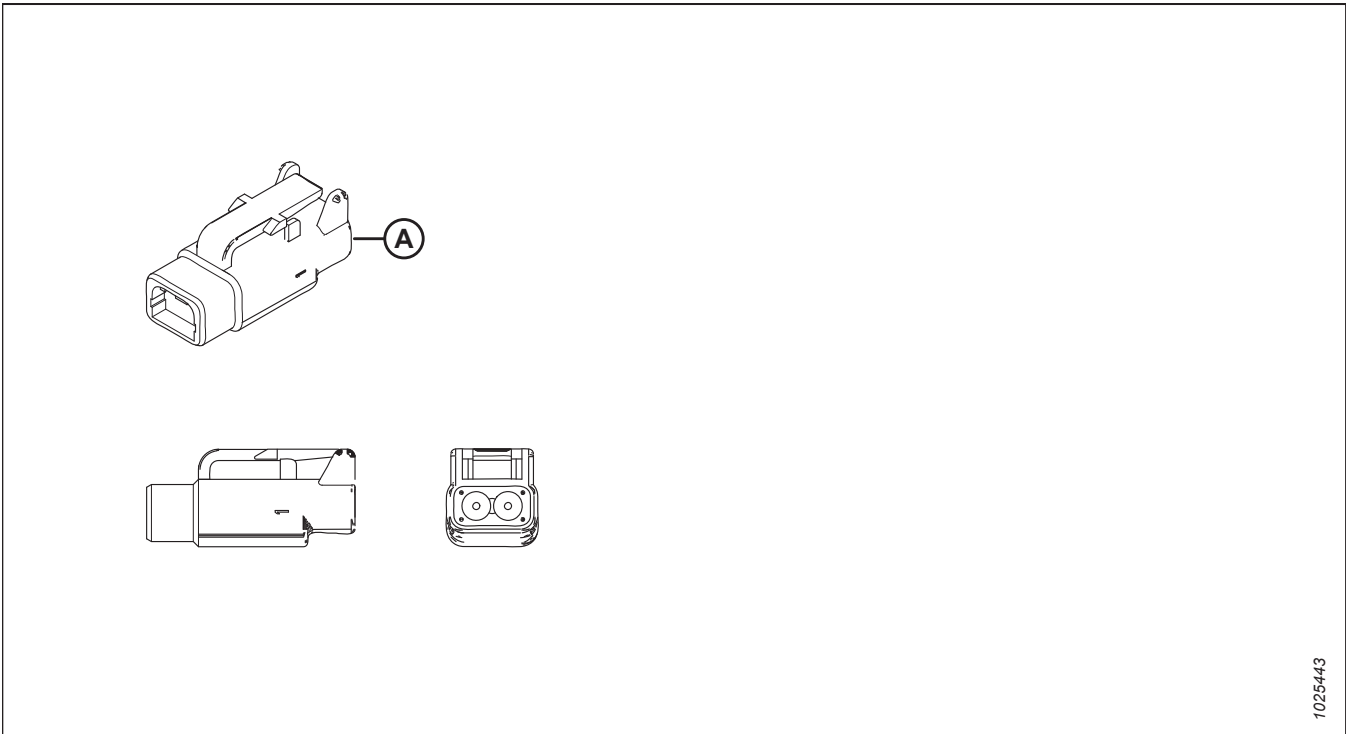


1025929

	MacDon Part #	Description	Manufacturer	Series	Manufacturer Part #
A		Connector	Deutsch	DT	DT04-2P-L012
		Terminal			
		Lock			
		Secondary Lock			
		Seal			
		Mating Connector			
		Extraction Tool			
		Crimp Tool			
		Cavity Plug			
		Boots/Caps			

TWO-POSITION CONNECTORS

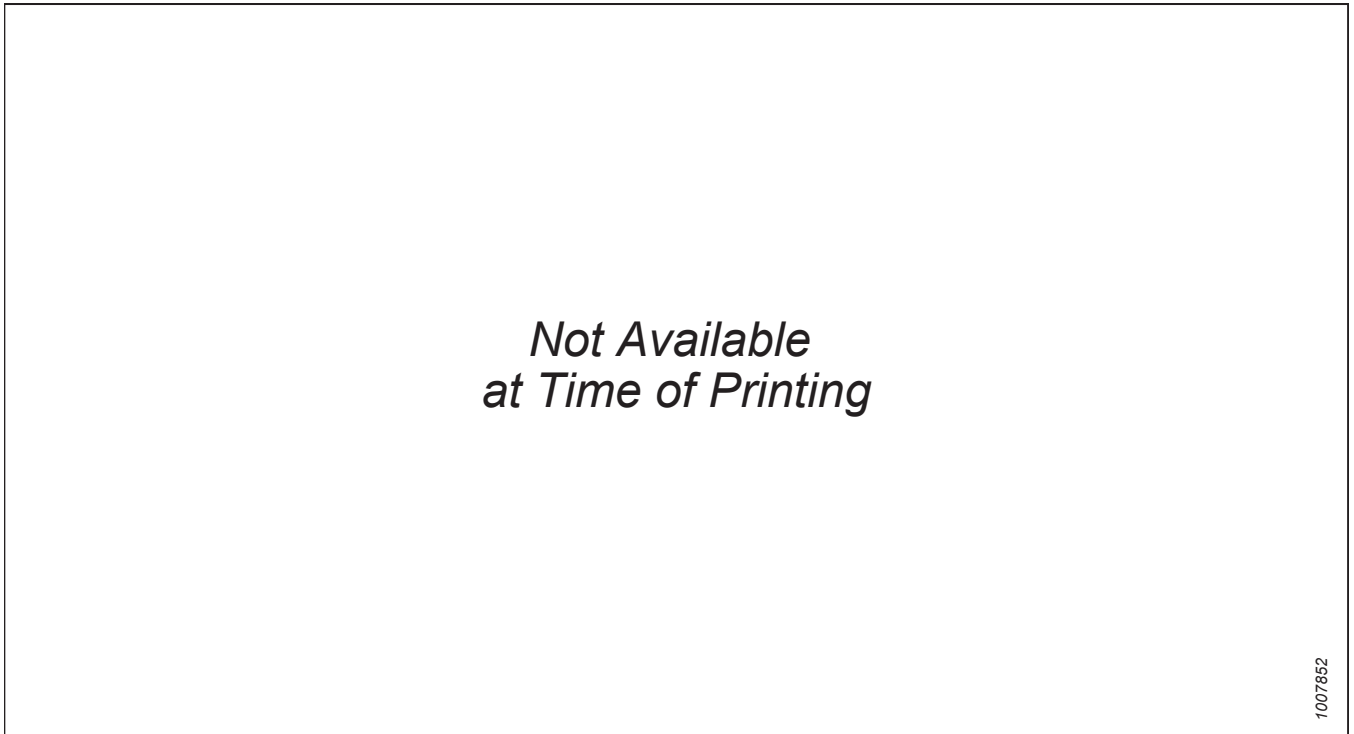
3.38



1025443

	MacDon Part #	Description	Manufacturer	Series	Manufacturer Part #
A		Connector – Plug	Deutsch	DT	DTM06-2S
		Terminal			0462-201-20141, 0462-201-2031
		Lock			WM-2S
		Secondary Lock			
		Seal			
		Mating Connector		DTM04-2P	
		Extraction Tool		DT-RT1	
		Crimp Tool			
		Cavity Plug			
		Boots/Caps		DTM2S-BT	

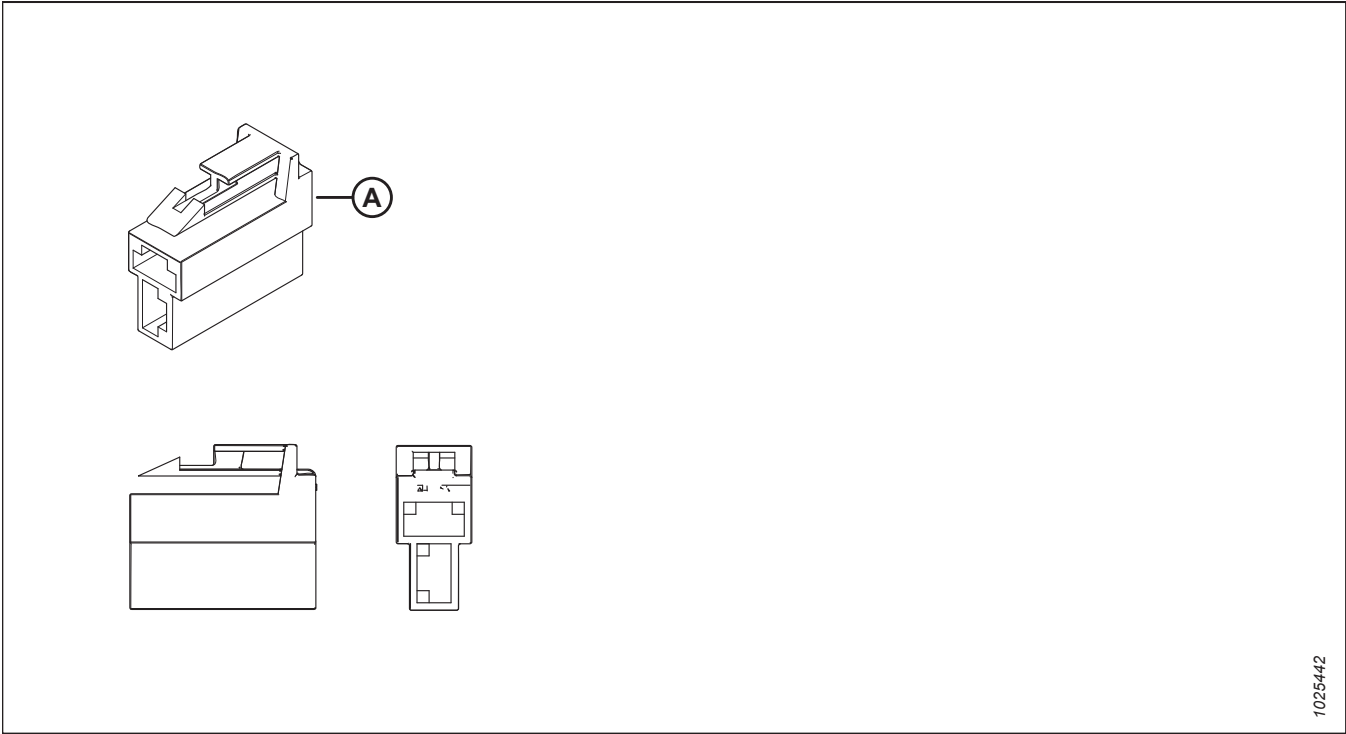
3.39



	MacDon Part #	Description	Manufacturer	Series	Manufacturer Part #
		Connector – Receptacle	Fargo Assy.		MG620042
		Terminal			
		Lock			
		Secondary Lock			
		Seal			
		Mating Connector			
		Extraction Tool			
		Crimp Tool			
		Cavity Plug			
		Boots/Caps			

TWO-POSITION CONNECTORS

3.40

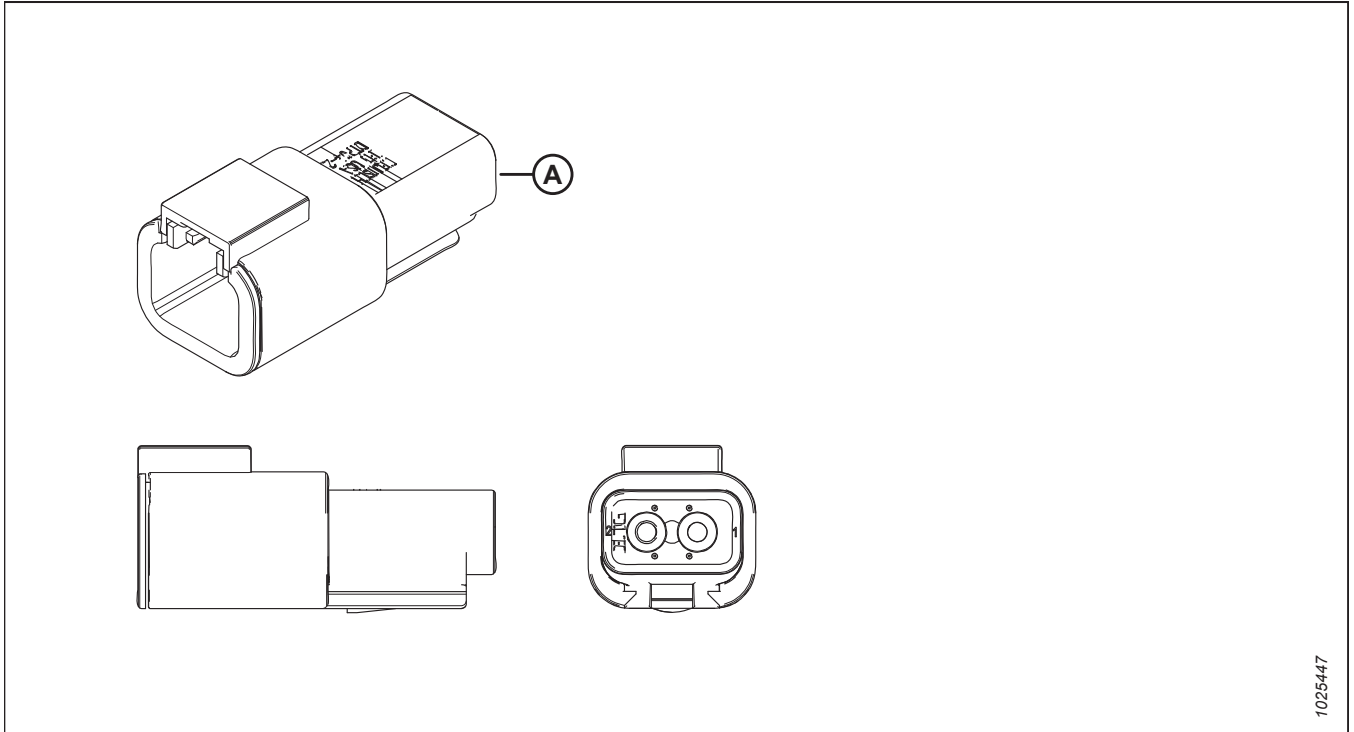


1025442

	MacDon Part #	Description	Manufacturer	Series	Manufacturer Part #
A		Connector – Plug	Fargo Assy.		MG610043
		Terminal			
		Lock			
		Secondary Lock			
		Seal			
		Mating Connector			
		Extraction Tool			
		Crimp Tool			
		Cavity Plug			
		Boots/Caps			

TWO-POSITION CONNECTORS

3.41

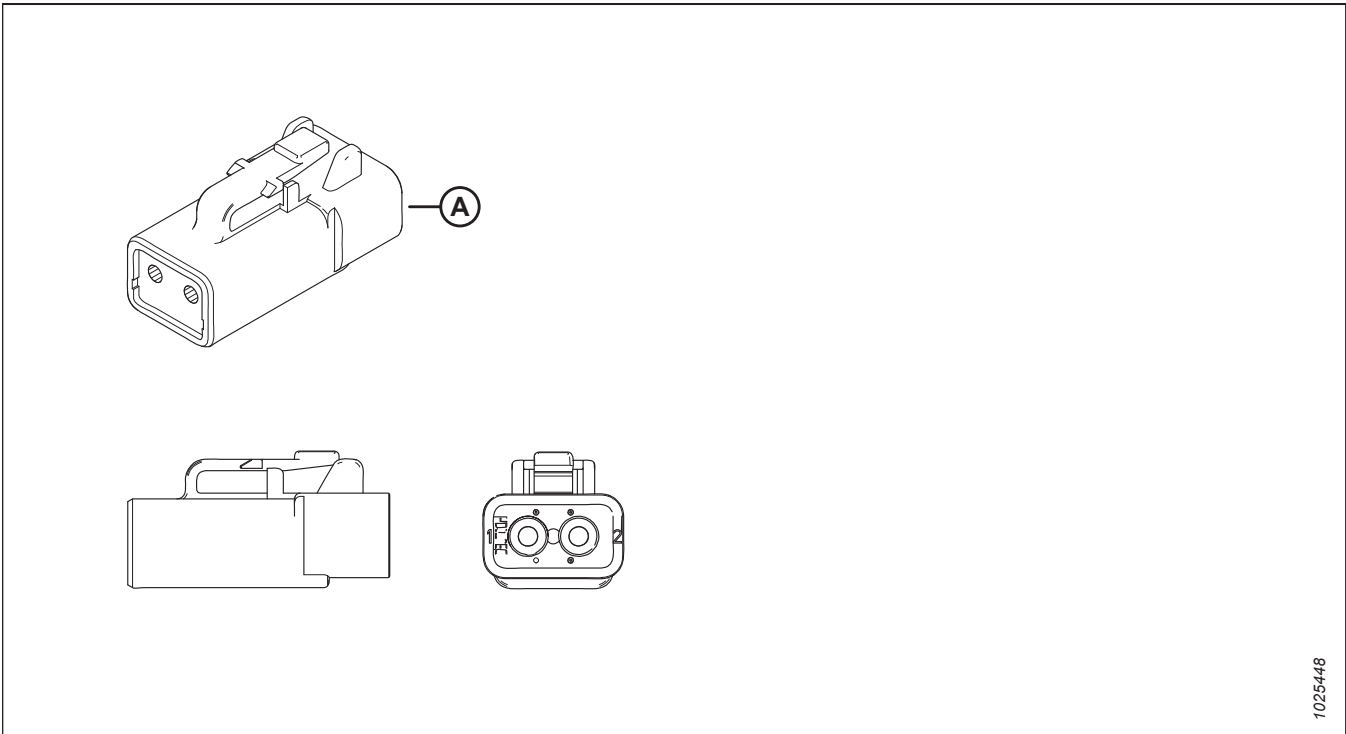


1025447

	MacDon Part #	Description	Manufacturer	Series	Manufacturer Part #
A		Connector – Receptacle	Deutsch	DT	DTP04-2P
		Terminal			0460-204-12141, 0460-220-1231
		Lock			WP-2P
		Secondary Lock			
		Seal			
		Mating Connector		DTP06-2S	
		Extraction Tool		DT-RT1	
		Crimp Tool			
		Cavity Plug			
		Boots/Caps		DTP2P-BT	

TWO-POSITION CONNECTORS

3.42

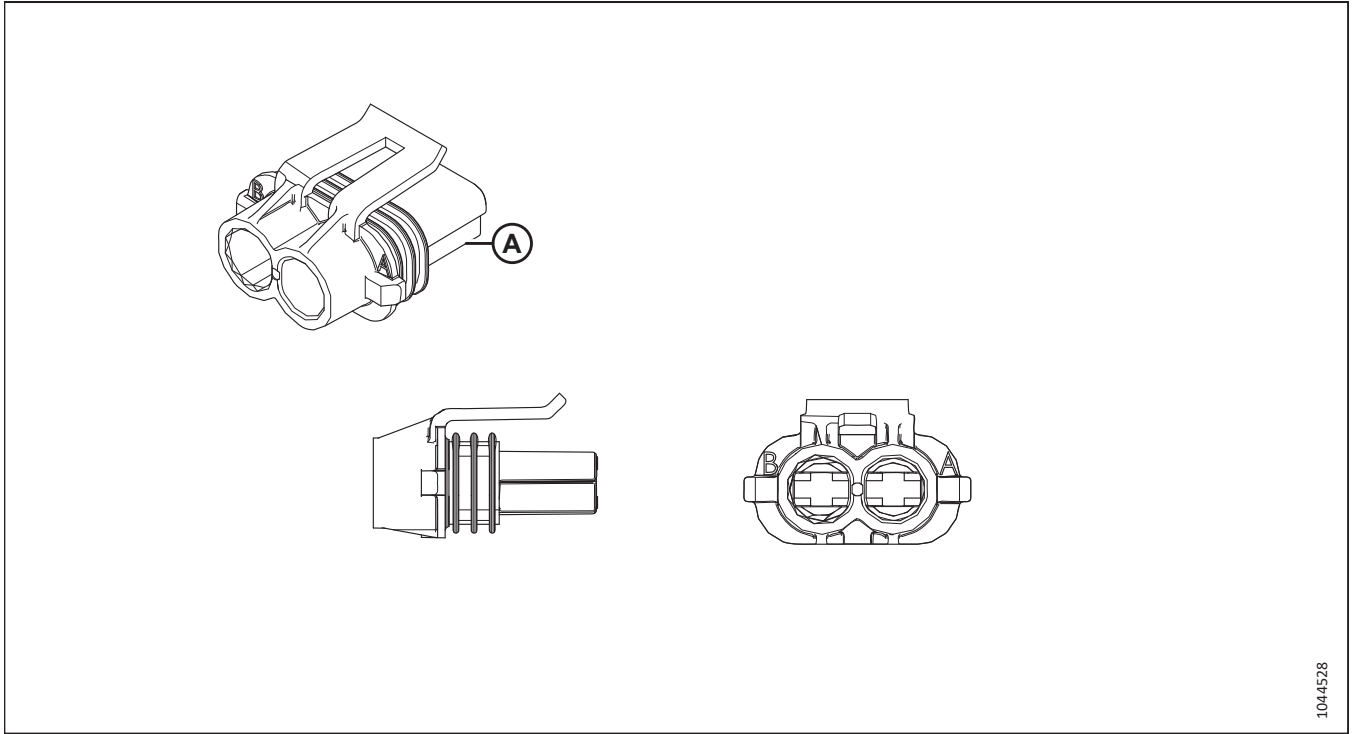


1025448

	MacDon Part #	Description	Manufacturer	Series	Manufacturer Part #
A		Connector – Plug	Deutsch	DT	DTP06-2S
		Terminal			0462-203-12141, 0462-210-1231
		Lock			WP-2S
		Secondary Lock			
		Seal			
		Mating Connector		DTP04-2P	
		Extraction Tool		DT-RT1	
		Crimp Tool			
		Cavity Plug			
		Boots/Caps		DTP2S-BT	

TWO-POSITION CONNECTORS

3.43

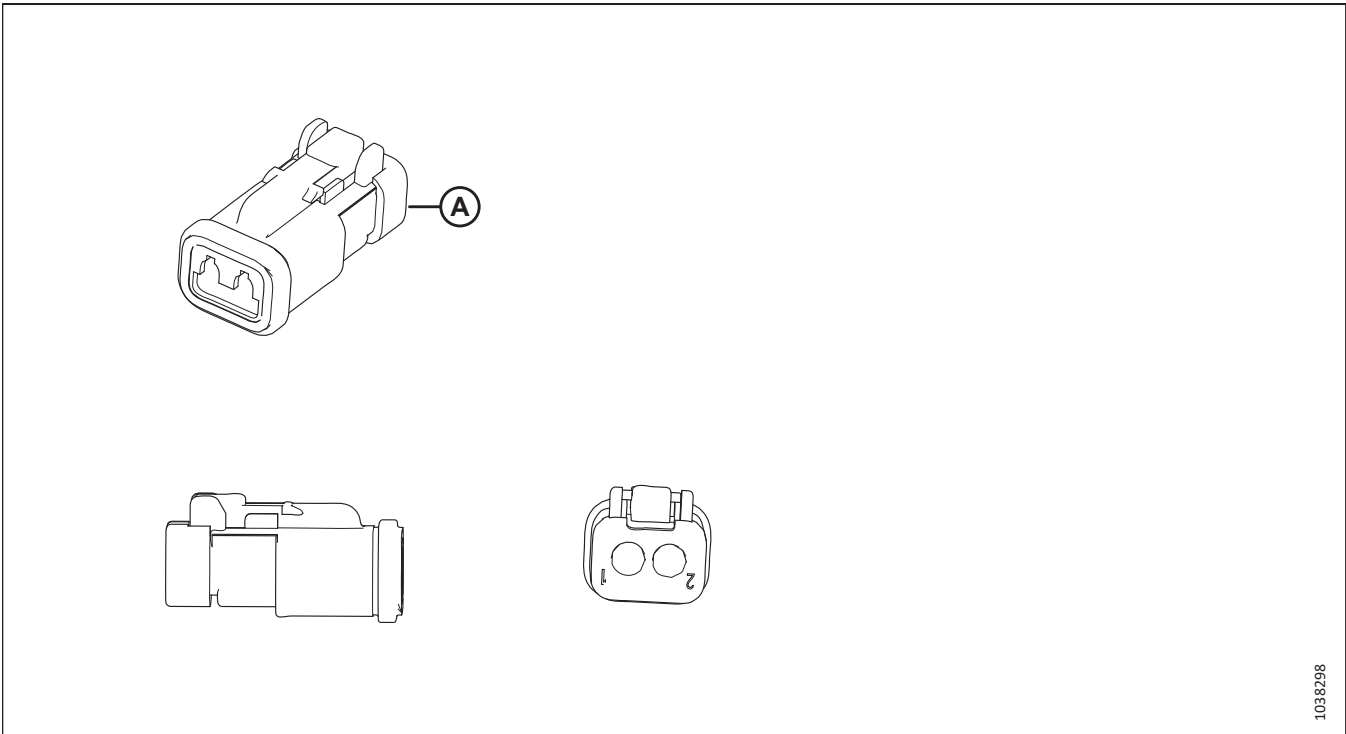


1044528

	MacDon Part #	Description	Manufacturer	Series	Manufacturer Part #
A		Connector – Plug	Chief Enterprises		C1258
		Terminal			
		Lock			
		Secondary Lock			
		Seal			
		Mating Connector			
		Extraction Tool			
		Crimp Tool			
		Cavity Plug			
		Boots/Caps			

TWO-POSITION CONNECTORS

3.44

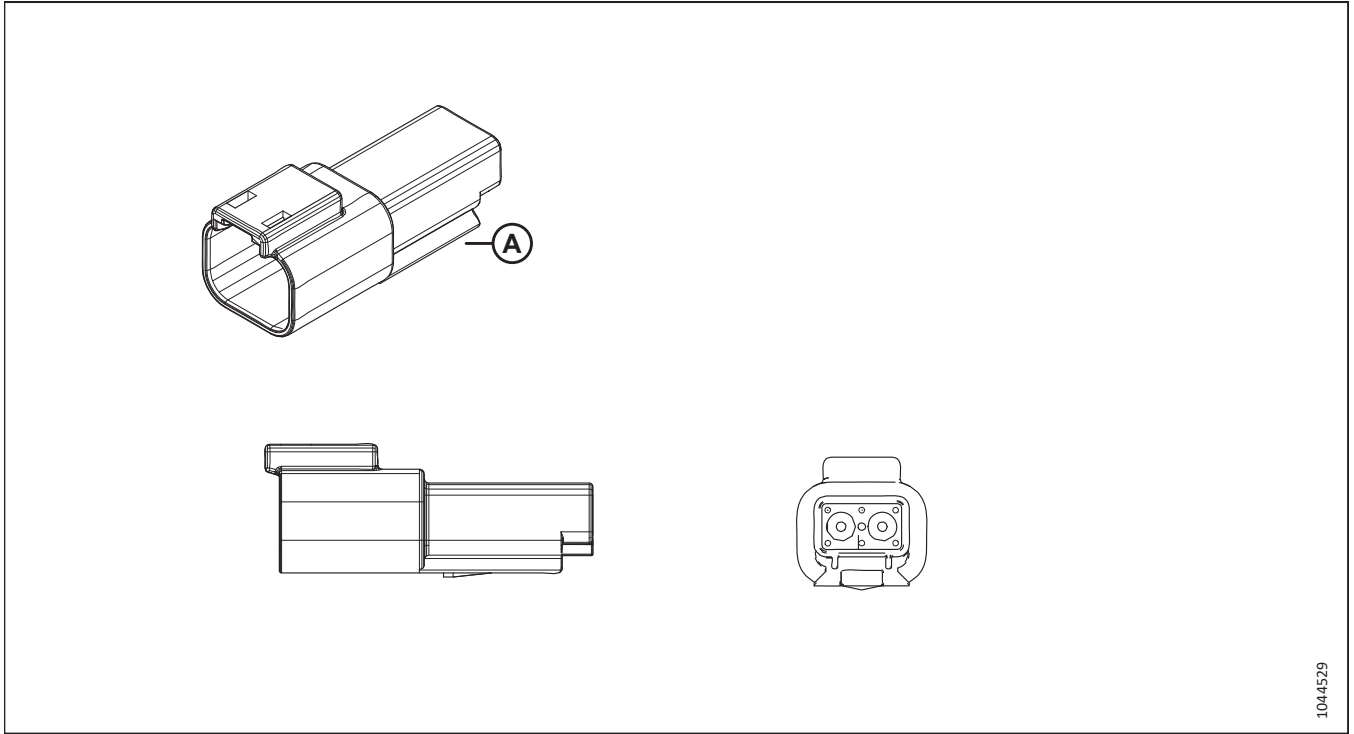


1038298

	MacDon Part #	Description	Manufacturer	Series	Manufacturer Part #
A	252941	Connector – Plug	Deutsch	DT	DT06-2S-CE01
		Terminal			
		Lock			W2S (orange) or W2S-P012 (green)
		Secondary Lock			
		Seal			
		Mating Connector		DT04-2P	
		Extraction Tool		DT-RT1	
		Crimp Tool		HDT-48-00	
		Cavity Plug		0413-215-1605 (white)	
		Boots/Caps		DTS-BT / 1011-344-0205	

TWO-POSITION CONNECTORS

3.45

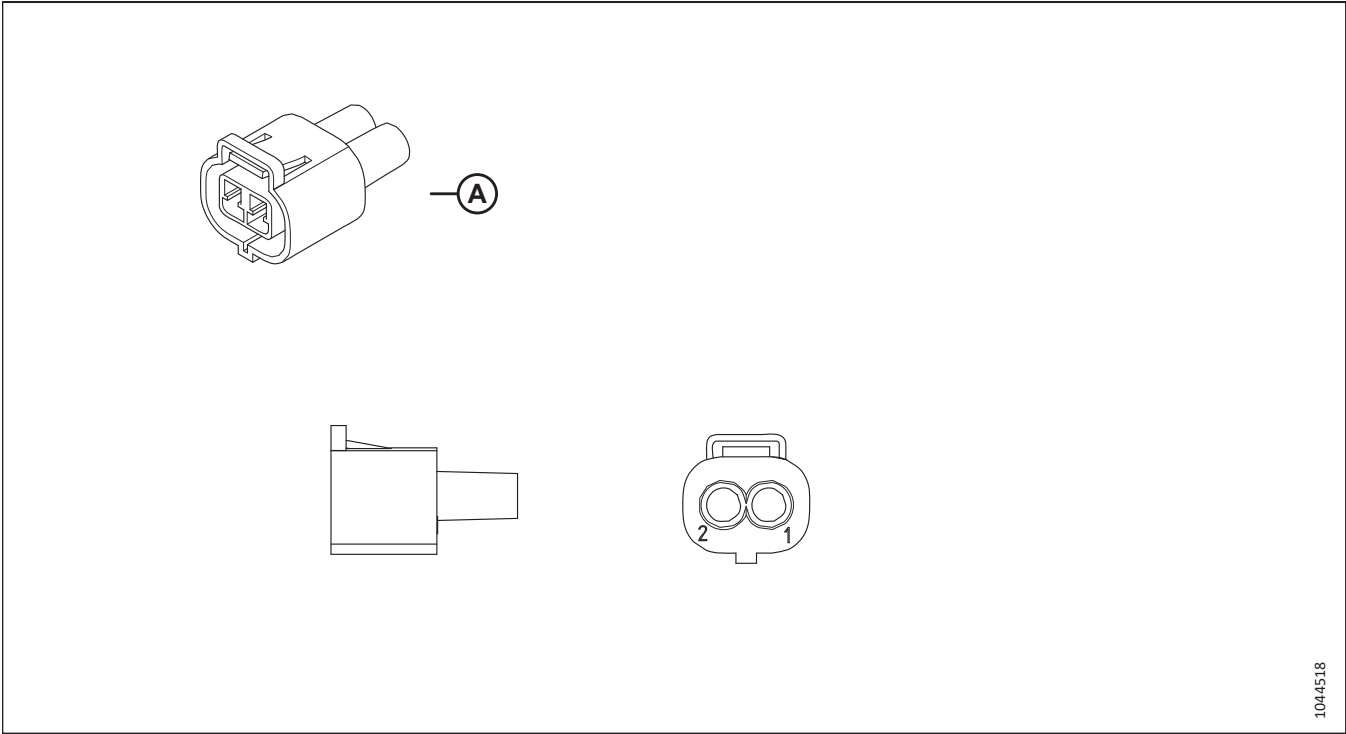


1044529

	MacDon Part #	Description	Manufacturer	Series	Manufacturer Part #
A		Connector – Receptacle	Deutsch	DT	DT04-2P-E004
		Terminal			
		Lock			
		Secondary Lock			
		Seal			
		Mating Connector			
		Extraction Tool			
		Crimp Tool			
		Cavity Plug			
		Boots/Caps			

TWO-POSITION CONNECTORS

3.46

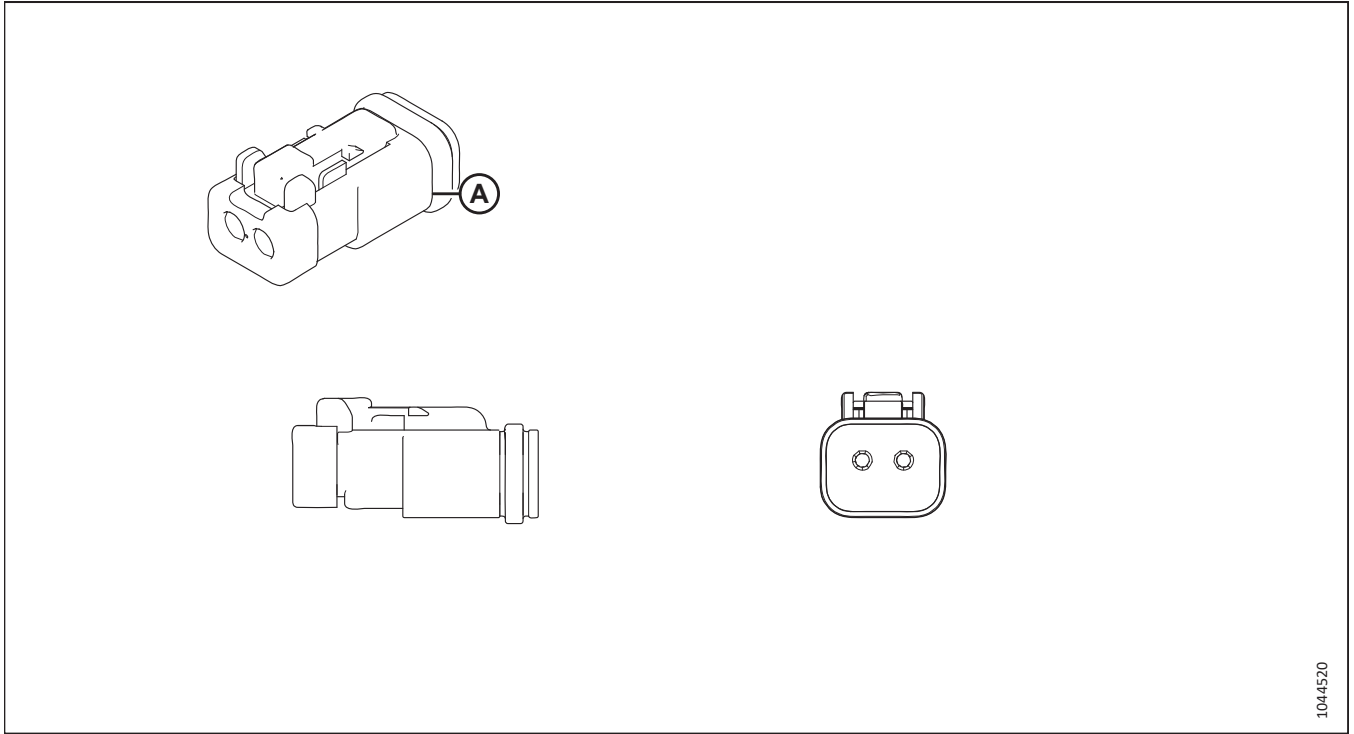


1044518

	MacDon Part #	Description	Manufacturer	Series	Manufacturer Part #
A		Connector – Plug	Cobo	Custom	25.0073.0002
		Terminal			
		Lock			
		Secondary Lock			
		Seal			
		Mating Connector			
		Extraction Tool			
		Crimp Tool			
		Cavity Plug			
		Boots/Caps			

TWO-POSITION CONNECTORS

3.47

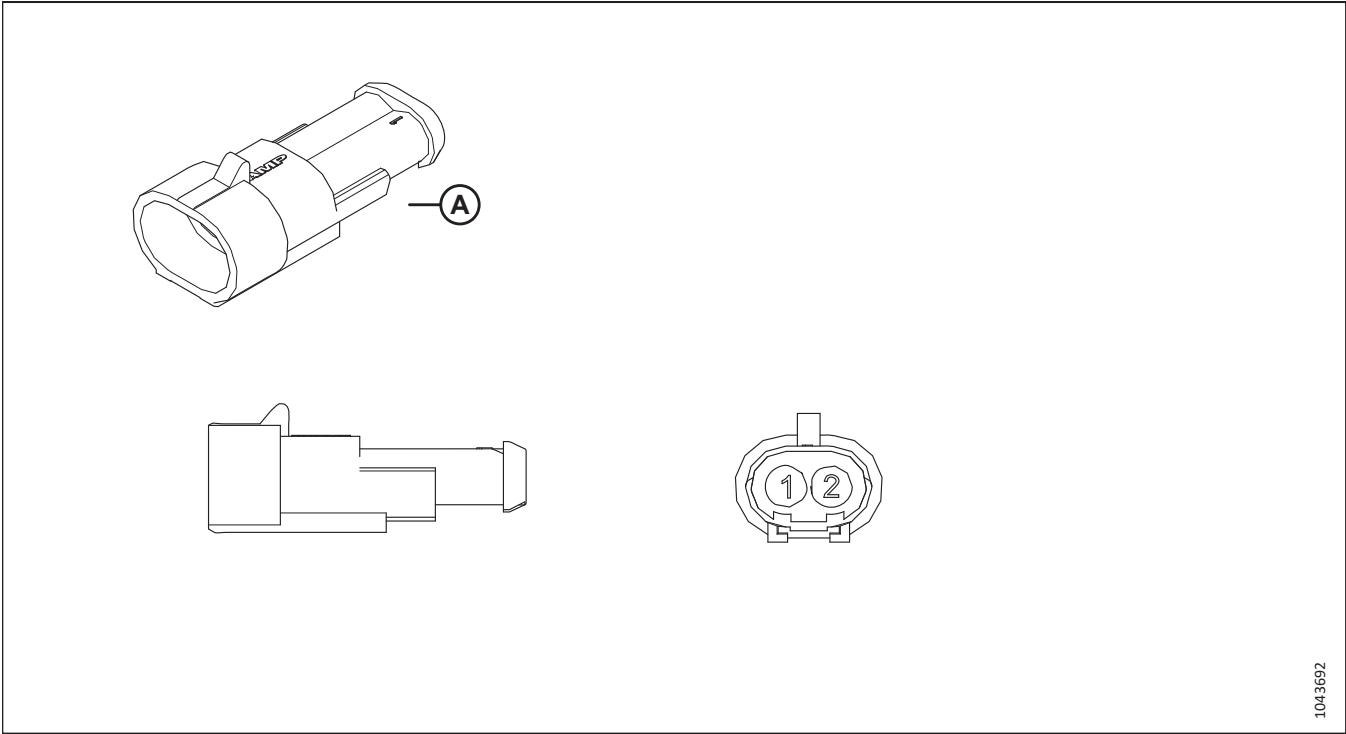


1044520

	MacDon Part #	Description	Manufacturer	Series	Manufacturer Part #
A		Connector – Plug	Deutsch	DT	DT06-2S-E005
		Terminal			
		Lock			
		Secondary Lock			
		Seal			
		Mating Connector			
		Extraction Tool			
		Crimp Tool			
		Cavity Plug			
		Boots/Caps			

TWO-POSITION CONNECTORS

3.48

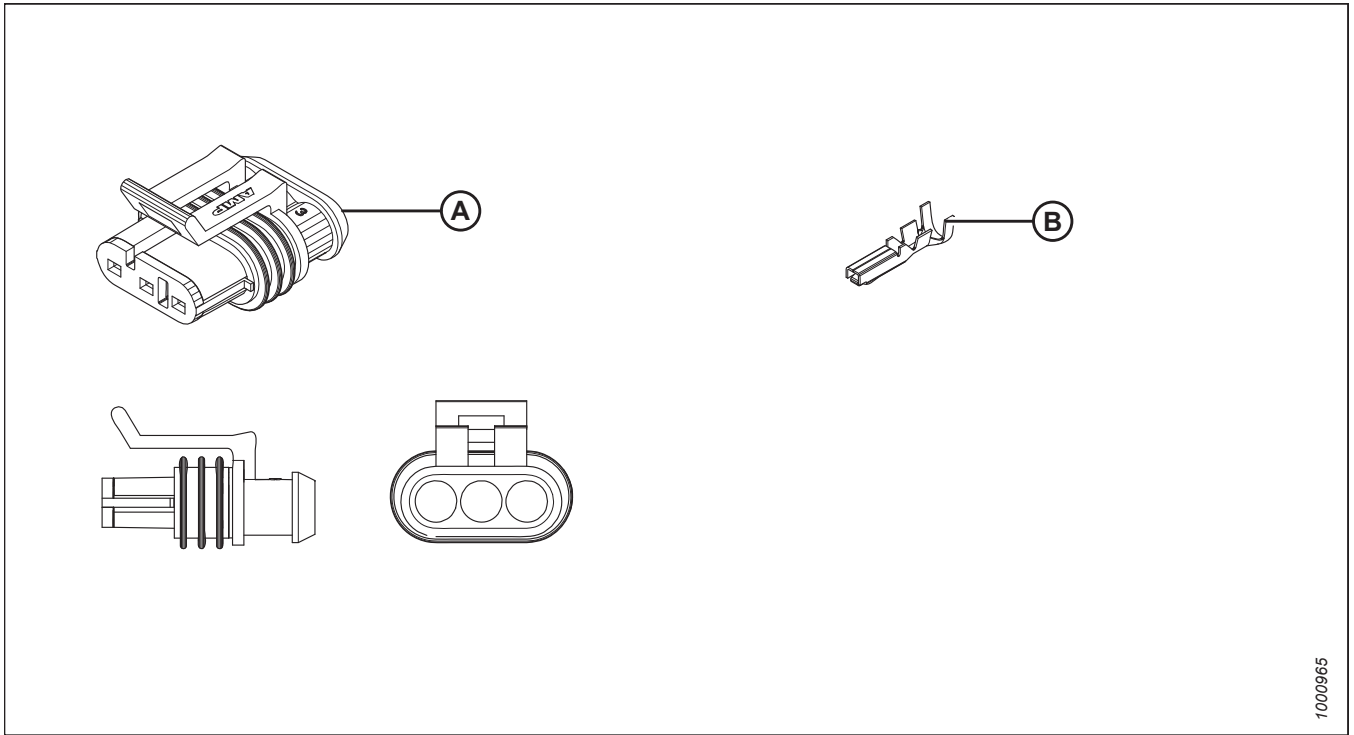


1043692

	MacDon Part #	Description	Manufacturer	Series	Manufacturer Part #
A		Connector – Receptacle	TE Connectivity	SS	282104-1
		Terminal			
		Lock			
		Secondary Lock			
		Seal			
		Mating Connector			
		Extraction Tool			
		Crimp Tool			
		Cavity Plug			
		Boots/Caps			

Chapter 4: Three-Position Connectors

4.1

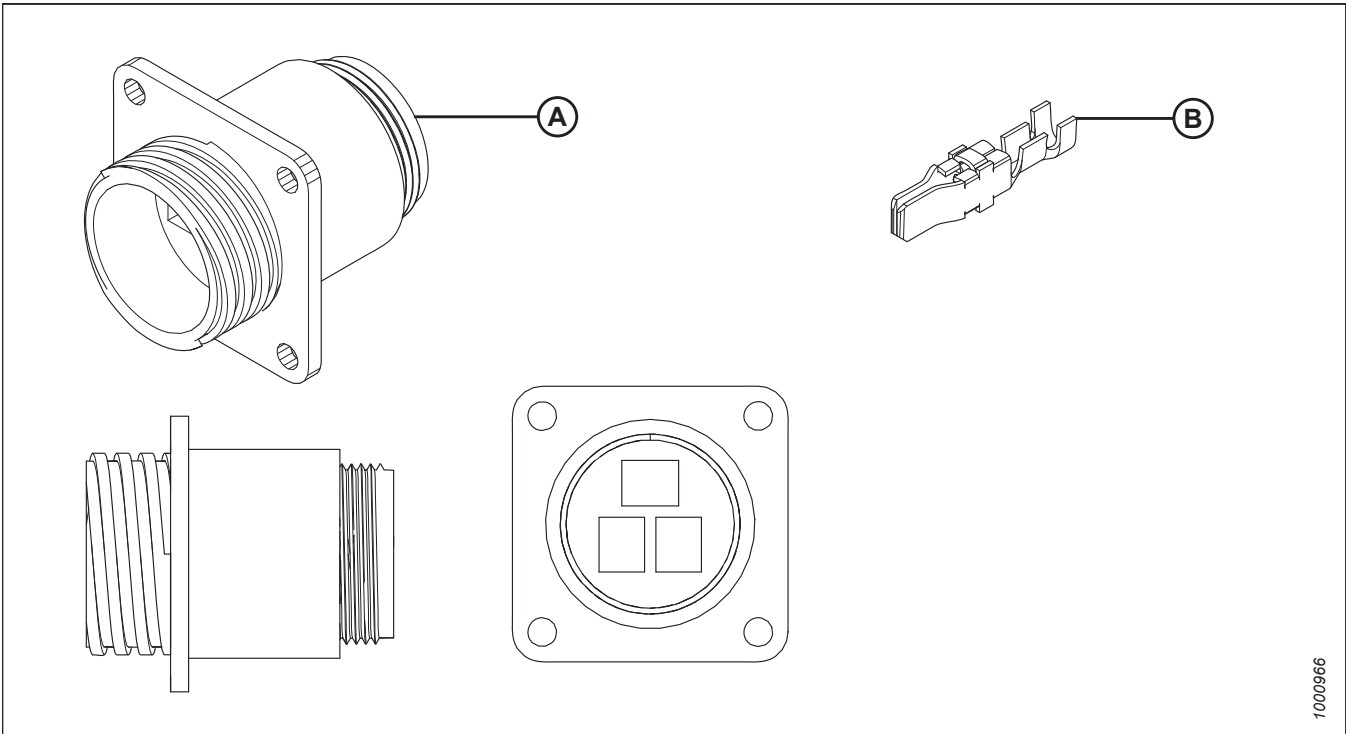


1000965

	MacDon Part #	Description	Manufacturer	Series	Manufacturer Part #
A		Connector – Plug	TE Connectivity	SS	282087-1
B	134092	Terminal – Socket			183025-1 282110-1 282403-1 282466-1
		Seal – Wire			
		Mating Connector	Tyco 282105-1, 282105-2		
		Extraction Tool	Tyco 9-1579007-1		
		Crimp Tool	Tyco 58583-1		

THREE-POSITION CONNECTORS

4.2

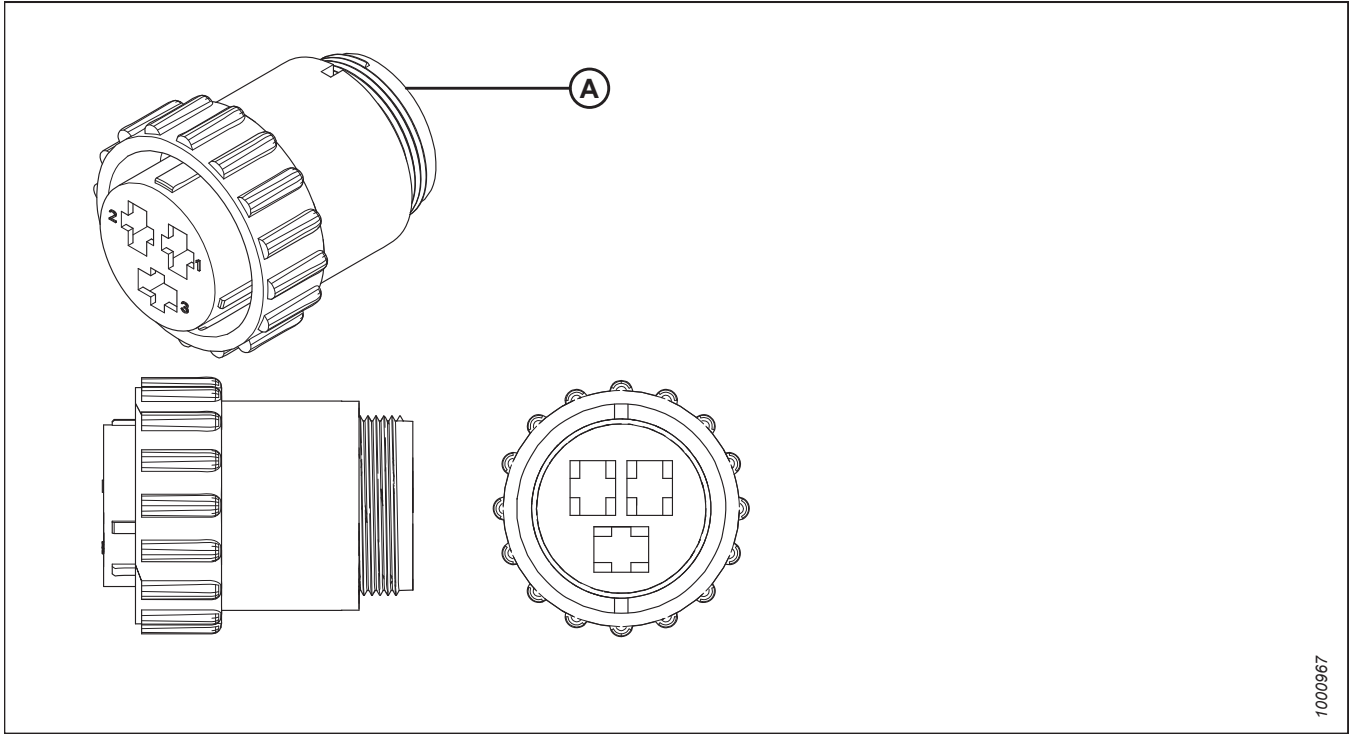


1000966

	MacDon Part #	Description	Manufacturer	Series	Manufacturer Part #
A		Connector – Receptacle (12–18 ga)	Amp	CPC	206036-2
B	134087	Terminal – Pin (12–18 ga)	Amp		66261-2
		Terminals			66255-2 66253-4 66255-6 66253-2
		Backshell			206070-8
		Grip			207387-1
		Boot Seal			207241-1
	134045	Mating Connector		206037-2	
		Extraction Tool			
		Crimp Tool			

THREE-POSITION CONNECTORS

4.3

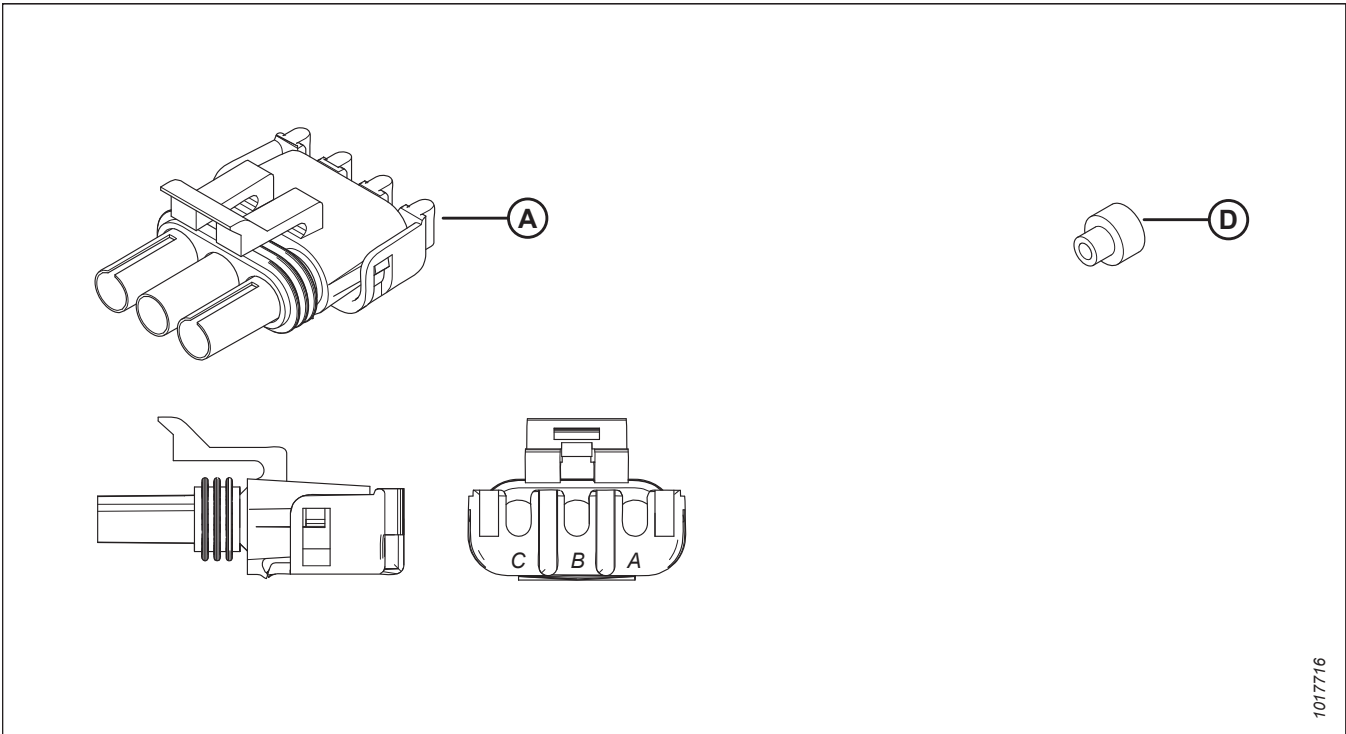


1000967

	MacDon Part #	Description	Manufacturer	Series	Manufacturer Part #
A	134045	Connector – Plug (12–18 ga)	Amp	CPC	206037-2
	134161	Terminal – Socket (12–18 ga)	Tyco		66740-6 66741-1 66740-1
		Backshell			206070-8
		Boot Seal			207241-1
		Cable Grip			207387-1
		Mating Connector	206036–2, 206207-1, 213581-1		
		Extraction Tool			
		Crimp Tool			

THREE-POSITION CONNECTORS

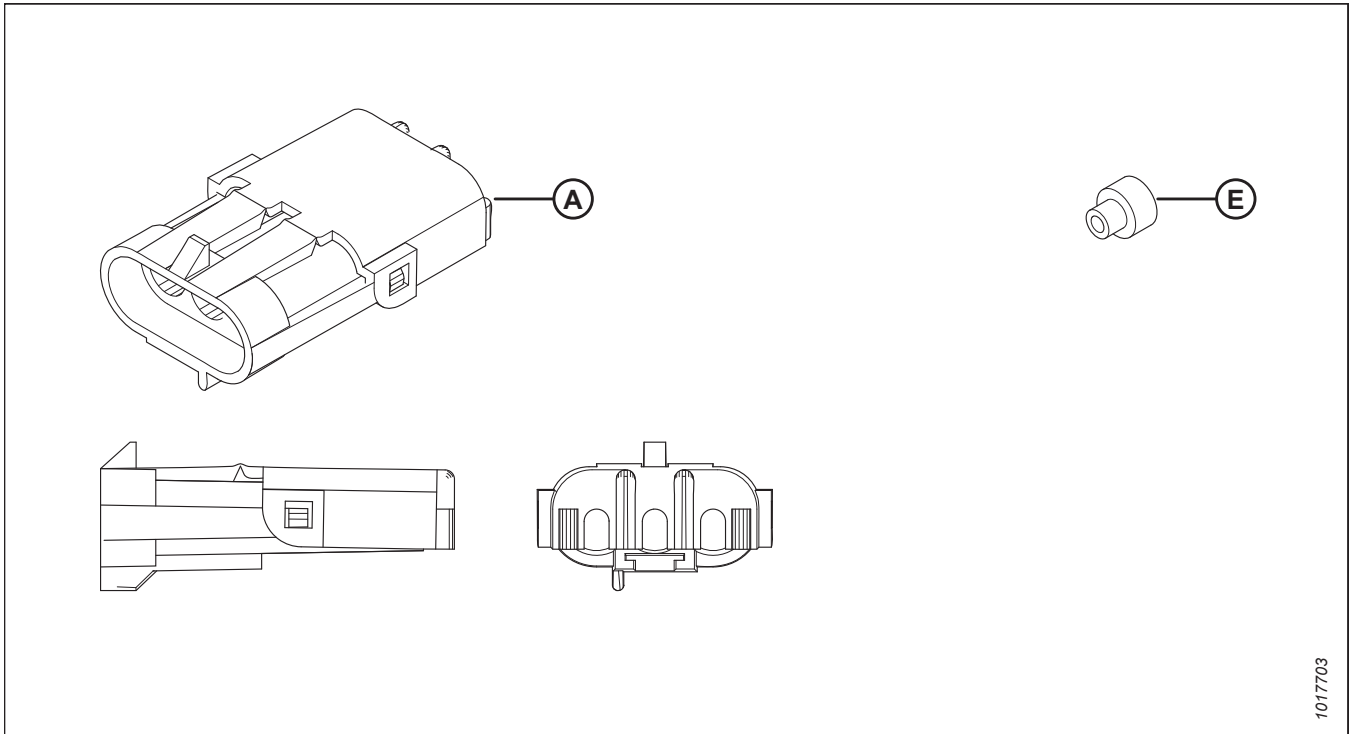
4.4



	MacDon Part #	Description	Manufacturer	Series	Manufacturer Part #
A	134132	Connector – Plug (14–20 ga)	Delphi	W/P	12015793
	134133	Terminal – Socket (18–20 ga)	Delphi	W/P	12089188
	30473	Terminal – Pin (14–16 ga)	Delphi	W/P	12124582
D		Seal – Wire (Green)	Delphi	W/P	15324982
		Seal – Wire (Orange)	Delphi	W/P	12129930
		Seal – Wire (Blue)			15324981
		Terminals			12124581 12124580 12020801
		Mating Connector		12010717	
	134160	Extraction Tool		12014012	
		Crimp Tool			

THREE-POSITION CONNECTORS

4.5

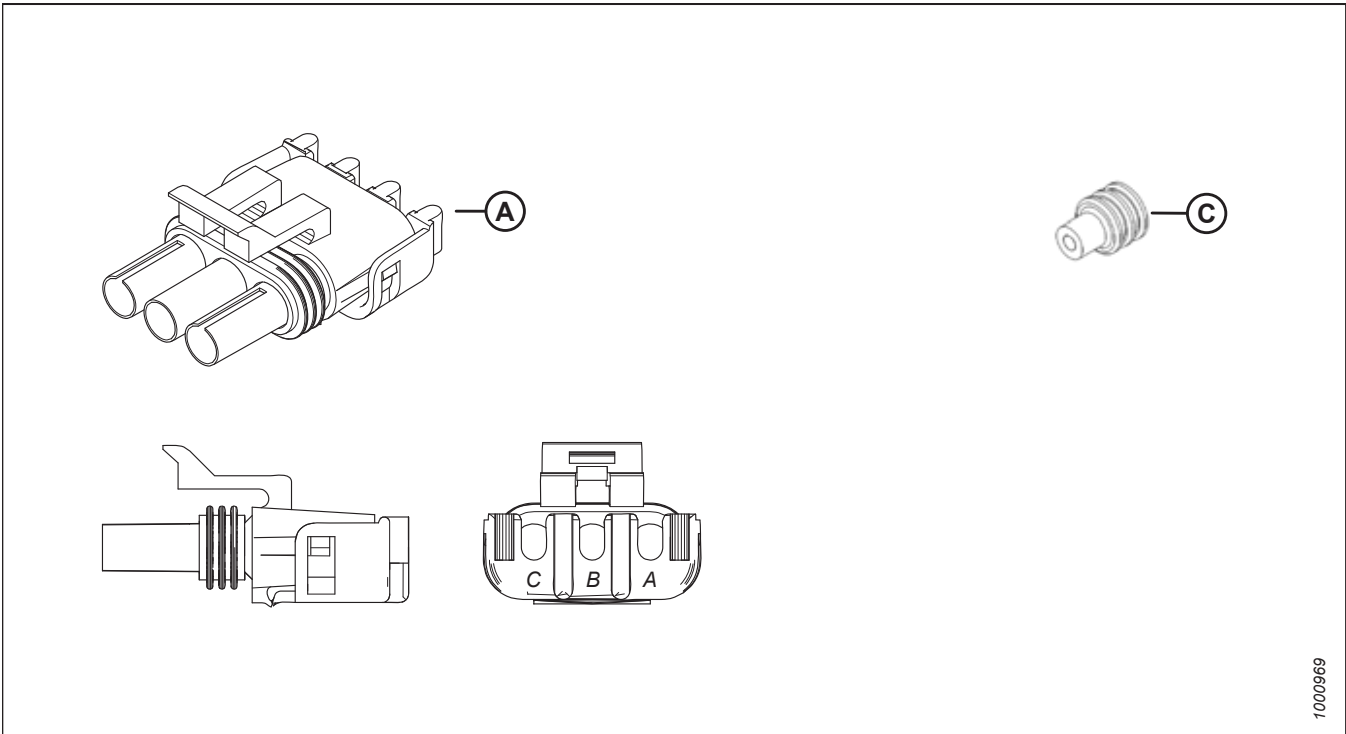


1017703

	MacDon Part #	Description	Manufacturer	Series	Manufacturer Part #
A	30440	Connector – Receptacle (14–20 ga)	Delphi	W/P	12010717
	30473	Terminal – Pin (14–16 ga)	Delphi	W/P	12124582
	30471	Terminal – Socket (14–16 ga)	Delphi	W/P	12124580
		Seal – Cavity (Green)	Delphi	W/P	12010300
E		Seal – Wire (Orange)	Delphi	W/P	12129930
		Seal – Wire (Blue)			15324981
	134132	Mating Connector		12015793	
		Extraction Tool		12014012	
		Crimp Tool			

THREE-POSITION CONNECTORS

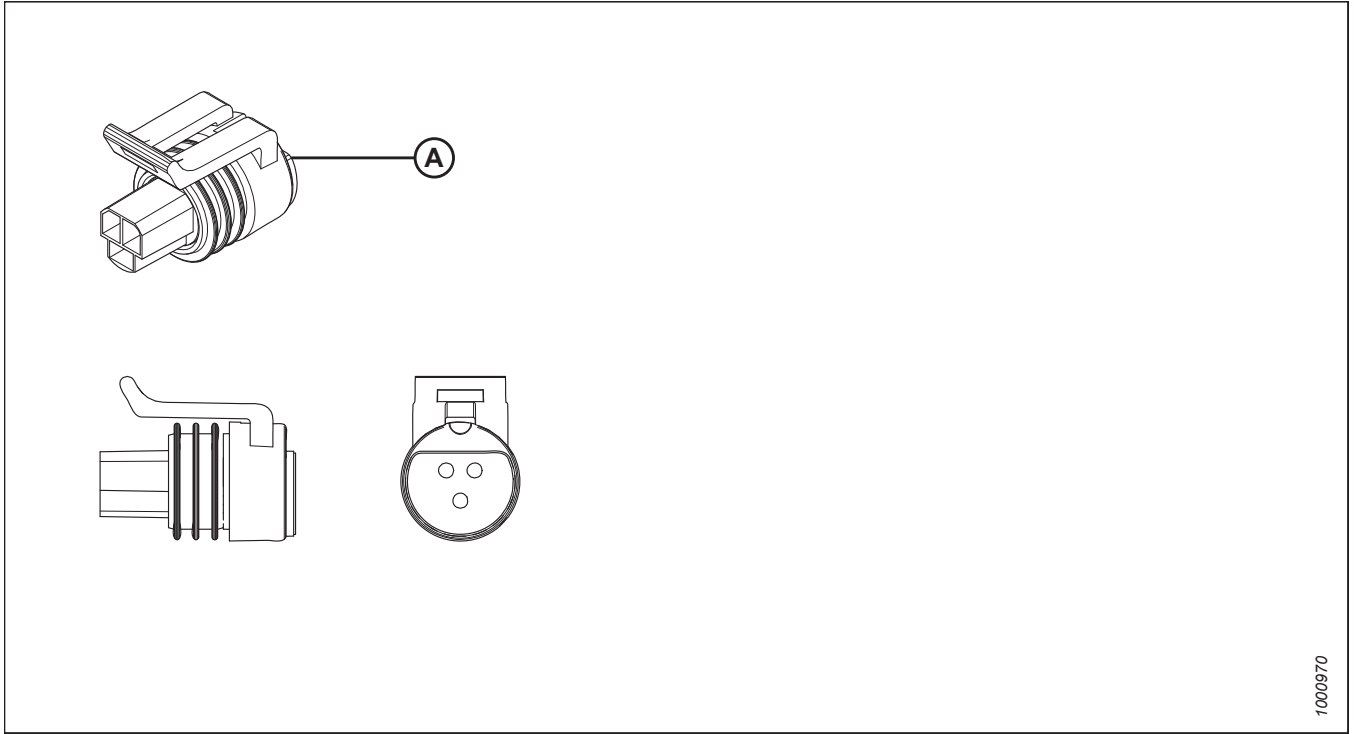
4.6



	MacDon Part #	Description	Manufacturer	Series	Manufacturer Part #
A		Connector – Plug	Delphi	W/P	12020737
	134126	Terminal – Pin (18–20 ga)	Delphi	W/P	12089040 12124582
C		Seal – Wire (Green)	Delphi	W/P	15324982
		Mating Connector			
	134160	Extraction Tool		12014012	
		Crimp Tool			

THREE-POSITION CONNECTORS

4.7

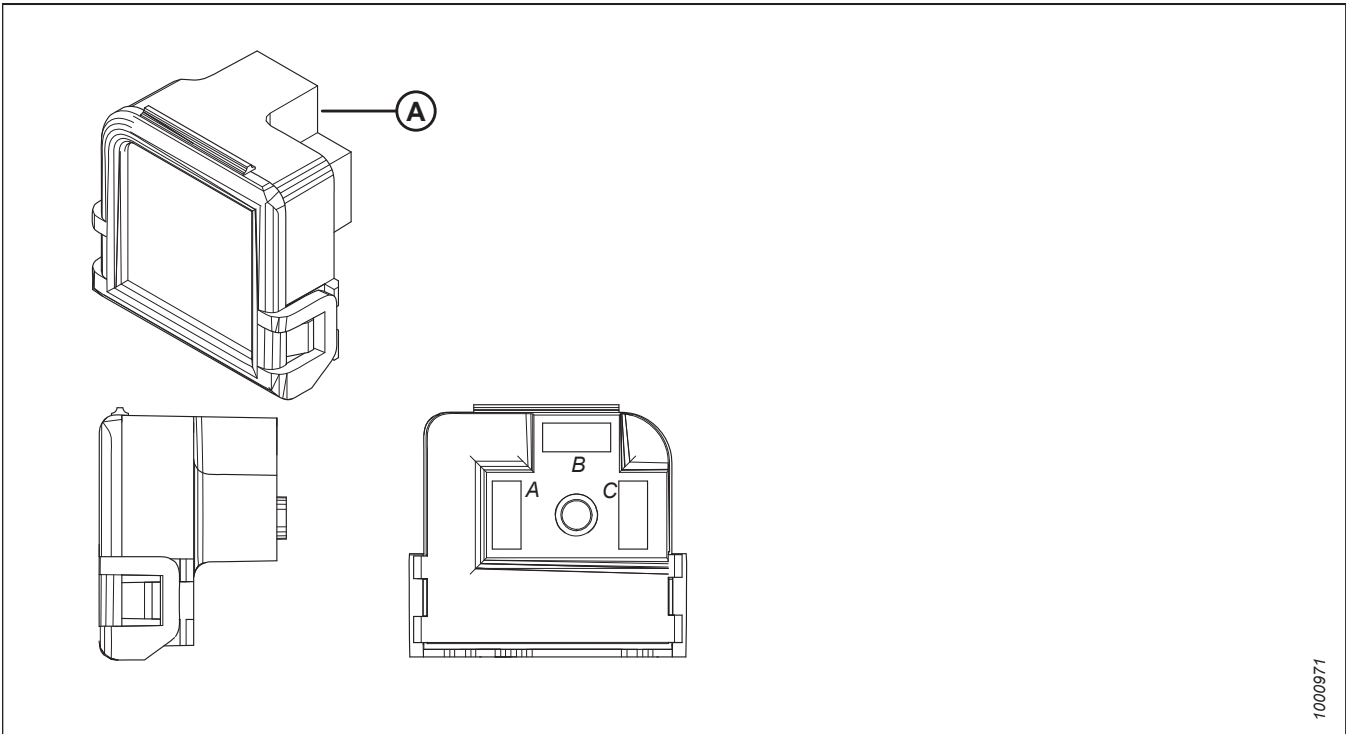


1000970

	MacDon Part #	Description	Manufacturer	Series	Manufacturer Part #
A		Connector – Plug	Delphi	M/P 150	12110192
	134130	Terminal – Socket	Delphi	M/P 150	12089290 12110236 12103881
		Mating Connector			
	134158	Extraction Tool		12094429	
		Crimp Tool			

THREE-POSITION CONNECTORS

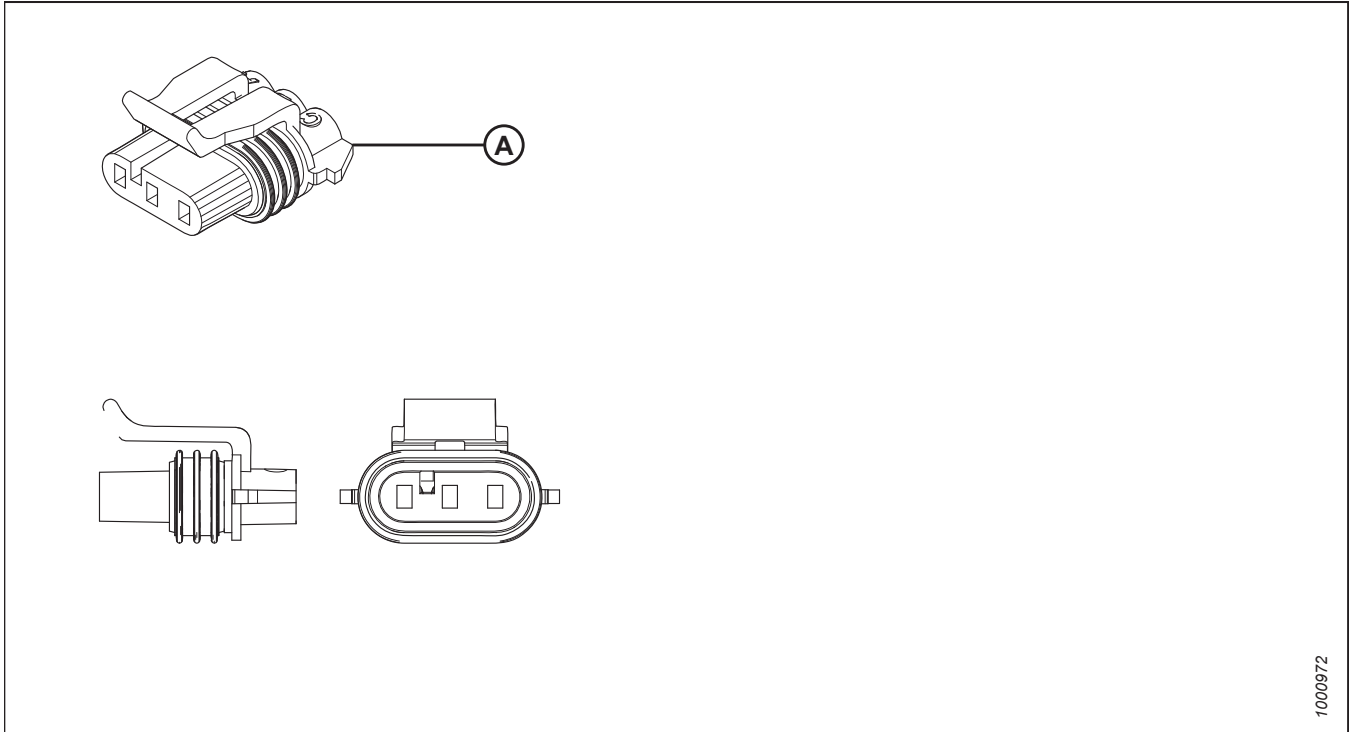
4.8



	MacDon Part #	Description	Manufacturer	Series	Manufacturer Part #
A		Connector – Receptacle	Delphi	M/P 800	12034372
		Terminal			12020633 12020634
		Mating Connector			
	134159	Extraction Tool		12094430	
		Crimp Tool			

THREE-POSITION CONNECTORS

4.9

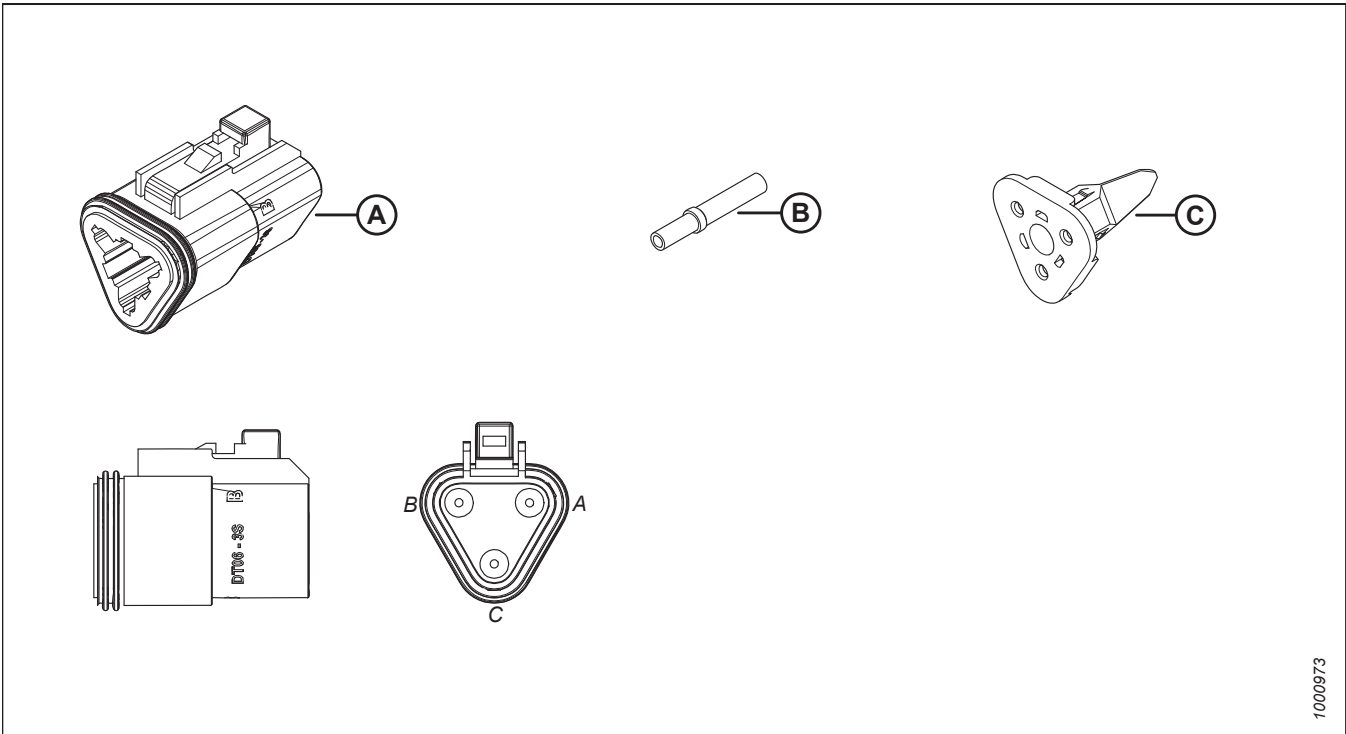


1000972

	MacDon Part #	Description	Manufacturer	Series	Manufacturer Part #
A		Connector – Plug	Delphi	M/P 150	12059595
		Terminal	Delphi	M/P 150	12048074 12084200 12160222
		Seal – Cable	Delphi	M/P 150	12048086 12052842
		Lock – Secondary			12052845
		Mating Connector			
	134158	Extraction Tool		12094429	
		Crimp Tool			

THREE-POSITION CONNECTORS

4.10

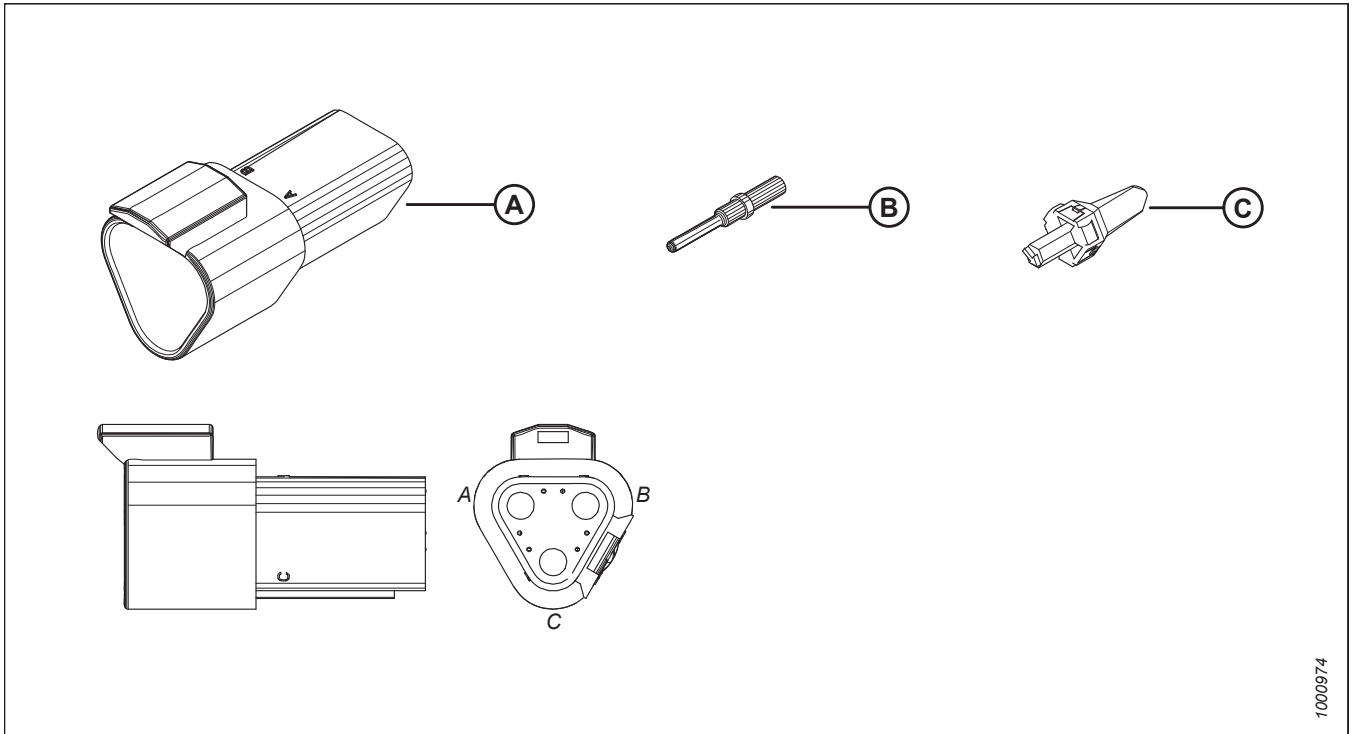


1000973

	MacDon Part #	Description	Manufacturer	Series	Manufacturer Part #
A		Connector – Plug (16–18 ga)	Deutsch	DT	DT06-3S-P012
B	134026	Terminal – Socket (16–18 ga)	Deutsch	Size 16	0462-201-16141 (nickel), 0462-201-1631 (gold)
C		Lock	Deutsch	DT	W3S-P012
		Mating Connector		DT04-3P	
		Extraction Tool			
	134015	Crimp Tool		HDT-48-00	

THREE-POSITION CONNECTORS

4.11

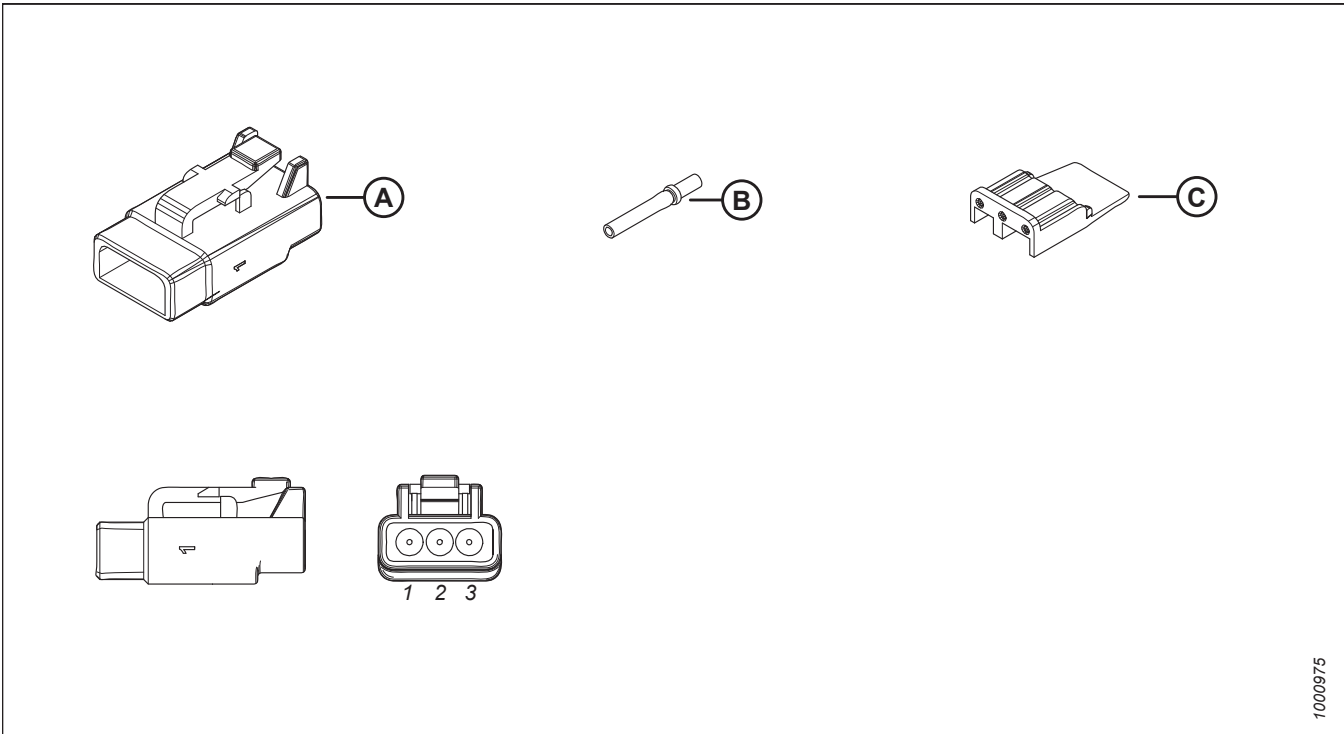


1000974

	MacDon Part #	Description	Manufacturer	Series	Manufacturer Part #
A		Connector – Receptacle (16–22 ga)	Deutsch	DT	DT04-3P
B	134023	Terminal – Pin (16–18 ga)	Deutsch	Size 16	0460-202-16141 (nickel), 0460-202-1631 (gold)
C	134041	Lock	Deutsch	DT	W3P
		Mating Connector		DT06-3S-P012	
		Extraction Tool			
	134015	Crimp Tool		HDT-48-00	

THREE-POSITION CONNECTORS

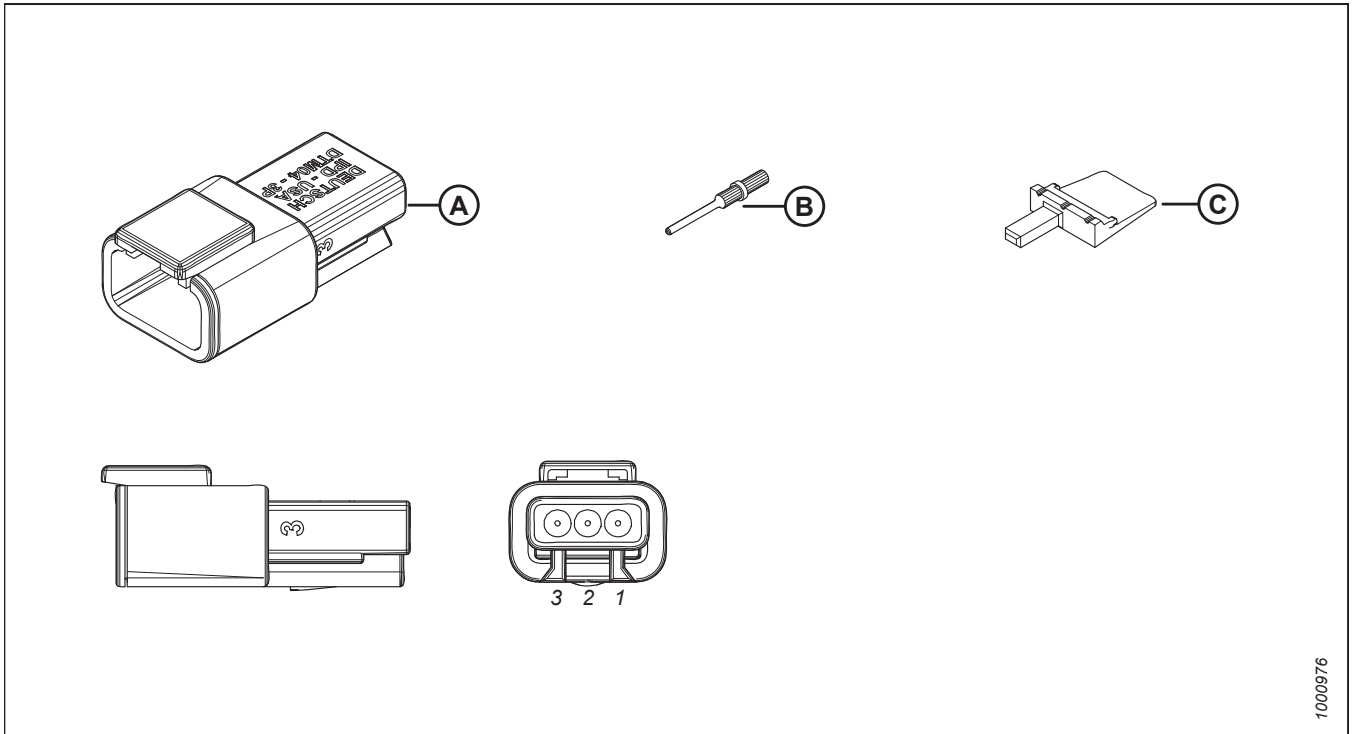
4.12



	MacDon Part #	Description	Manufacturer	Series	Manufacturer Part #
A	134019	Connector – Plug (20–24 ga)	Deutsch	DTM	DTM06-3S
B	134017	Terminal – Socket (20–24 ga)	Deutsch	Size 20	0462-201-20141 (nickel), 0462-201-2031 (gold)
C	134021	Lock	Deutsch	DTM	WM-3S
	134018	Mating Connector	DTM04-3P		
		Extraction Tool			
		Crimp Tool			

THREE-POSITION CONNECTORS

4.13

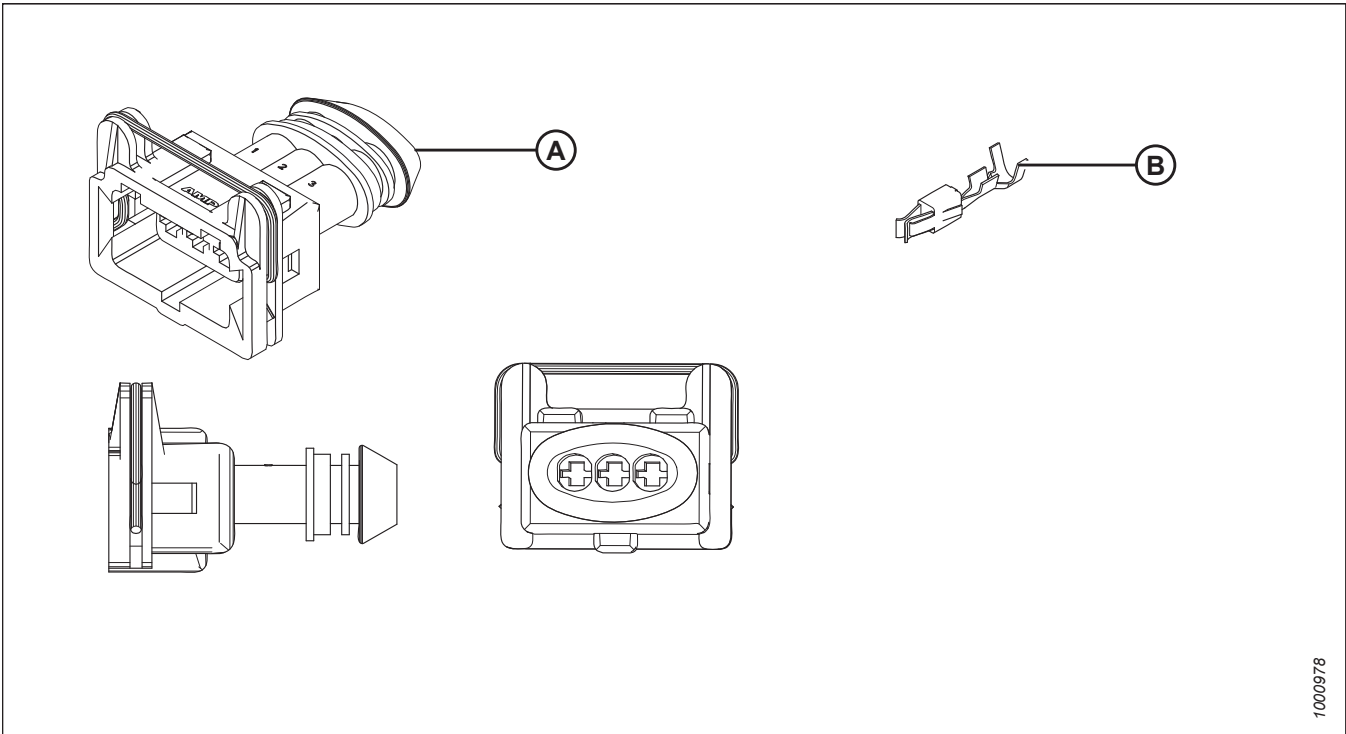


1000976

	MacDon Part #	Description	Manufacturer	Series	Manufacturer Part #
A	134018	Connector – Receptacle (16–22 ga)	Deutsch	DTM	DTM04-3P
B	134016	Terminal – Pin (20–24 ga)	Deutsch	Size 20	0460-202-20141 (nickel), 0460-202-2031 (gold)
C	134020	Lock	Deutsch	DTM	WM-3P
	134019	Mating Connector	DTM06-3S		
		Extraction Tool			
		Crimp Tool			

THREE-POSITION CONNECTORS

4.14

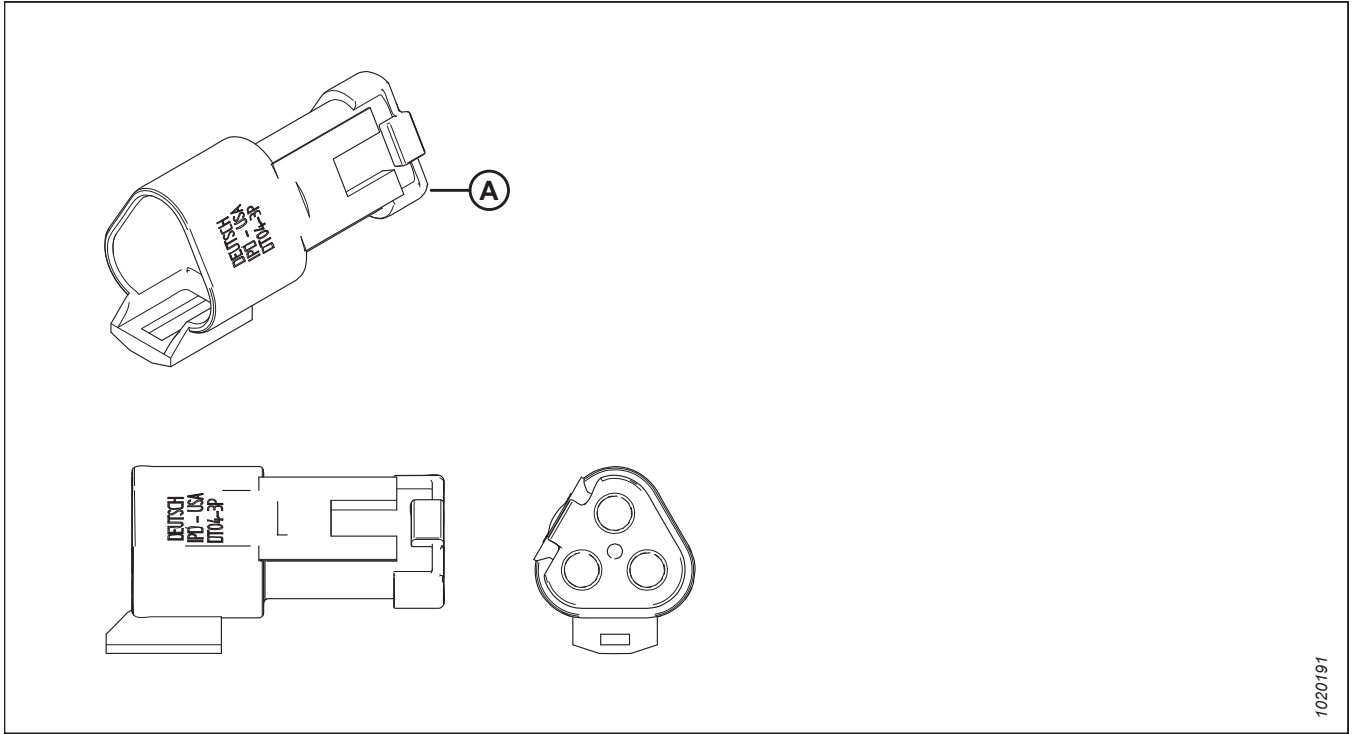


1000978

	MacDon Part #	Description	Manufacturer	Series	Manufacturer Part #
A		Connector – Plug	Tyco		282191-1
B	134094	Terminal – Socket	Tyco		929939-1
	134385	Seal – Wire (White)	Tyco		828905-1
		Mating Connector			
		Extraction Tool			
		Crimp Tool			

THREE-POSITION CONNECTORS

4.15

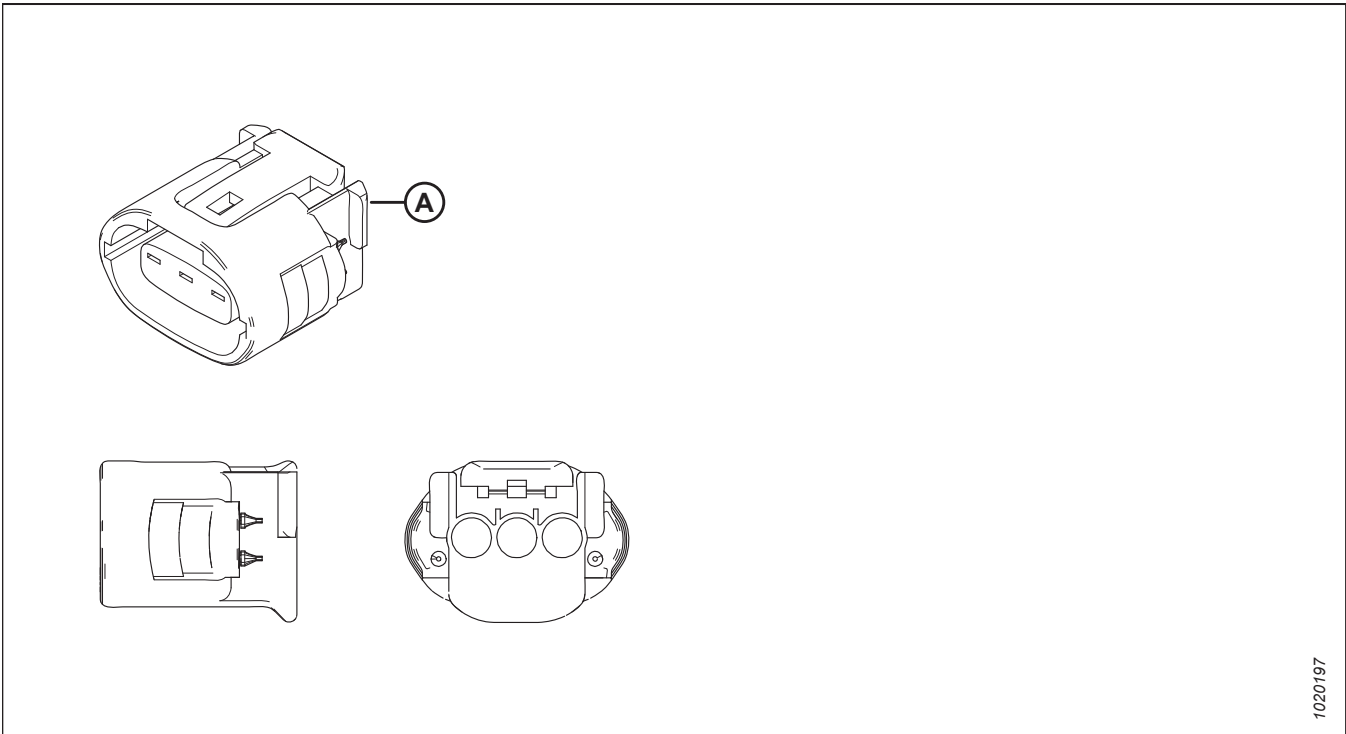


1020191

	MacDon Part #	Description	Manufacturer	Series	Manufacturer Part #
A	134043	Connector – Receptacle	Deutsch		DT04-3P-P006
		Mating Connector			
		Extraction Tool			
		Crimp Tool			

THREE-POSITION CONNECTORS

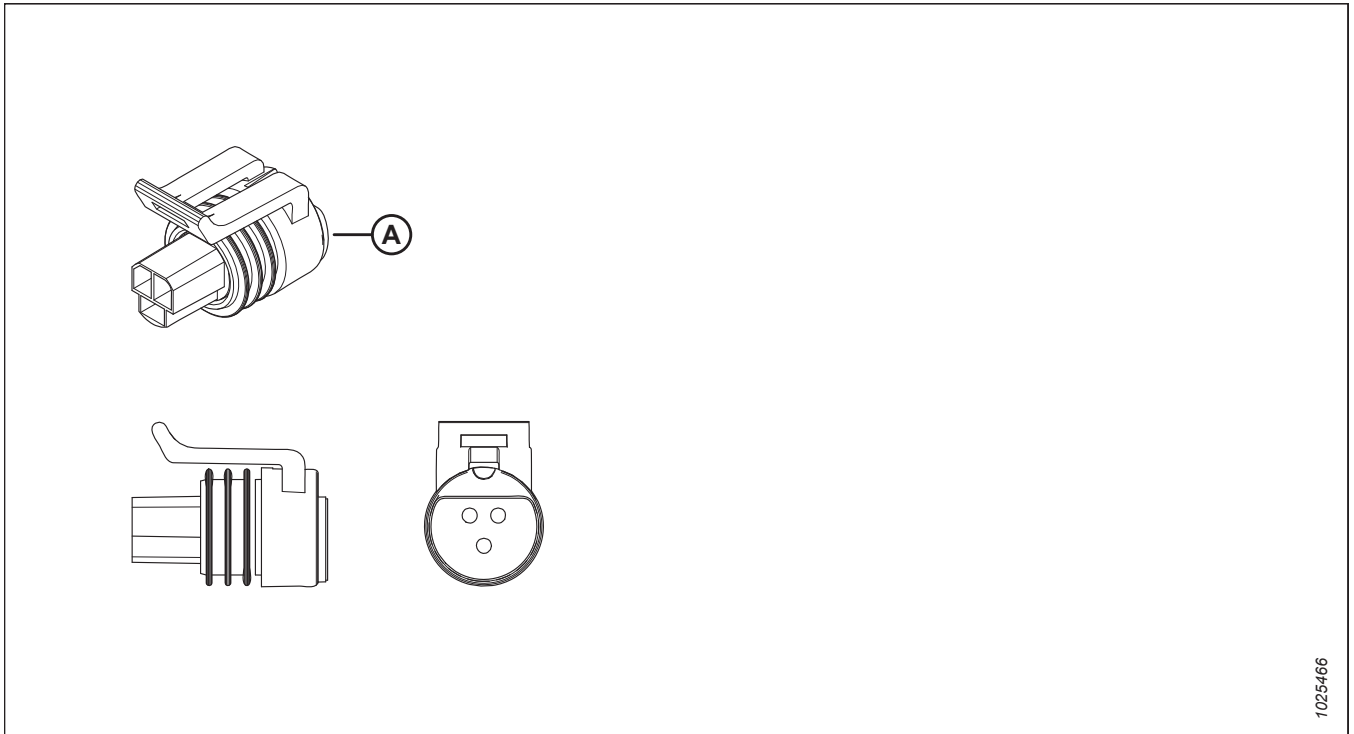
4.16



	MacDon Part #	Description	Manufacturer	Series	Manufacturer Part #
A		Connector – Plug	Sumitomo		6189-0442
		Mating Connector			
		Extraction Tool			
		Crimp Tool			

THREE-POSITION CONNECTORS

4.17

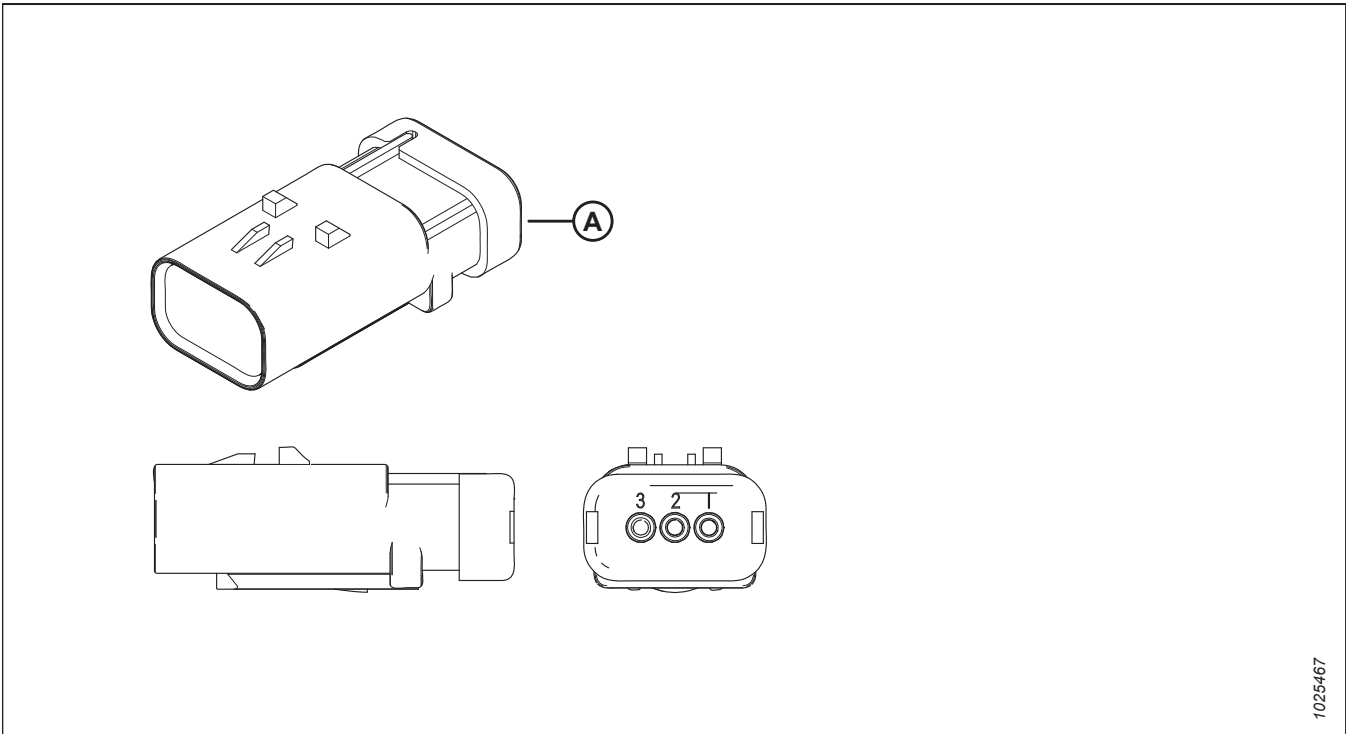


1025466

	MacDon Part #	Description	Manufacturer	Series	Manufacturer Part #
A		Connector – Plug	Delphi		12065287
		Terminal			12103881, 12089290, 12110236, 12191055, 12191056, 12162248
		Lock			
		Secondary Lock			
		Seal			12065266, 12034413
		Mating Connector			
		Extraction Tool			
		Crimp Tool			
		Cavity Plug			
		Boots/Caps			

THREE-POSITION CONNECTORS

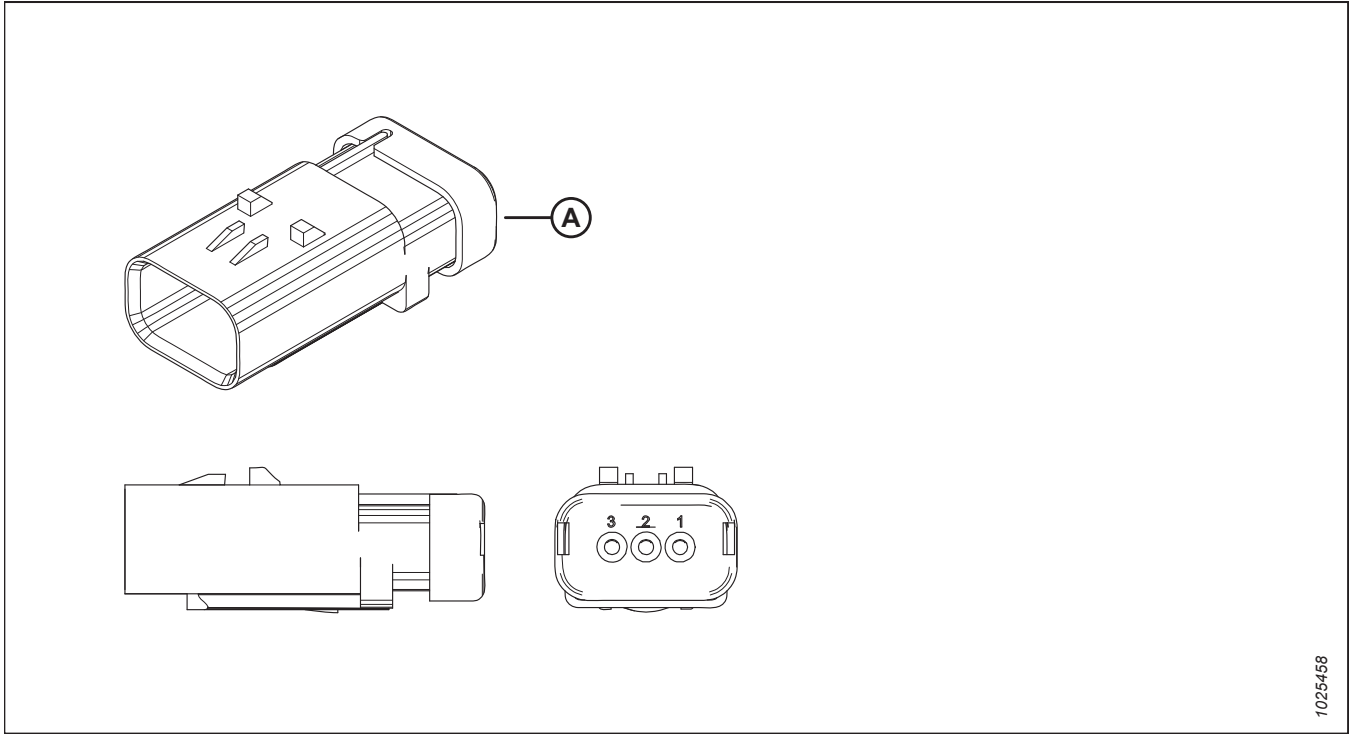
4.18



	MacDon Part #	Description	Manufacturer	Series	Manufacturer Part #
A		Connector – Receptacle (RED Insert)	Tyco	Ampseal 16	776430-1
		Terminal			1924463, 638078
		Lock			
		Secondary Lock			
		Seal			
		Mating Connector		776429-1	
		Extraction Tool			
		Crimp Tool			
		Cavity Plug		776363	
		Boots/Caps		1924487-1	

THREE-POSITION CONNECTORS

4.19

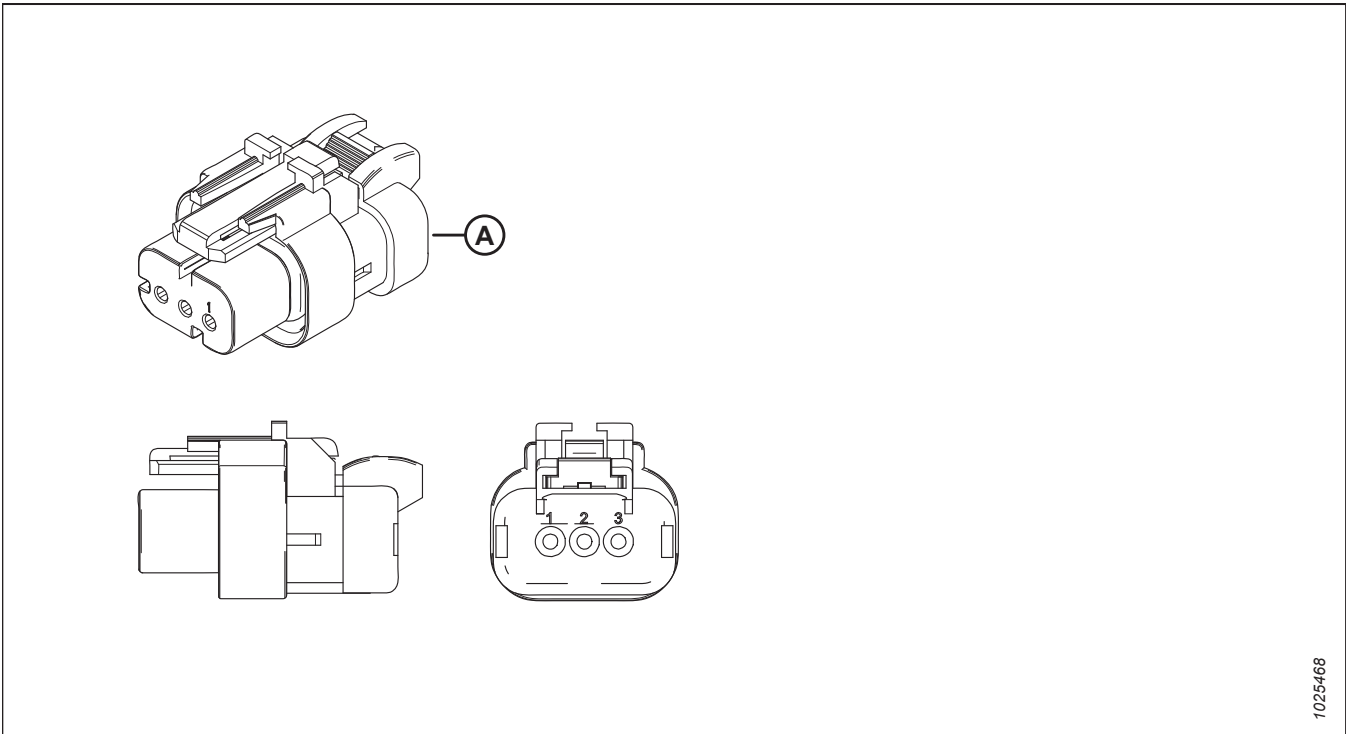


1025458

	MacDon Part #	Description	Manufacturer	Series	Manufacturer Part #
A		Connector – Receptacle (GREEN Insert)	Tyco	Ampseal 16	776535-4
		Terminal			1924463
		Lock			
		Secondary Lock			
		Seal			
		Mating Connector			
		Extraction Tool		776441-1	
		Crimp Tool			
		Cavity Plug		776364-1	
		Boots/Caps		2035047, 2035048, 2035366, 2292861	

THREE-POSITION CONNECTORS

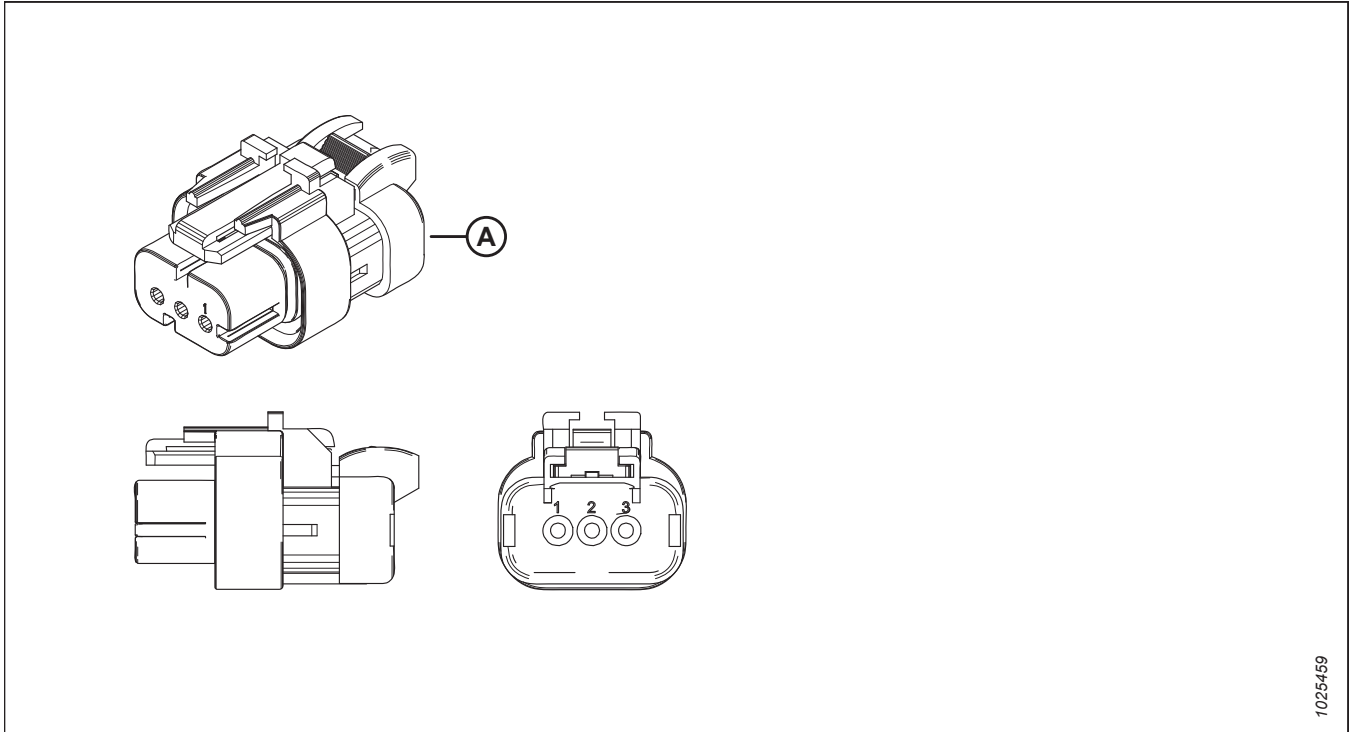
4.20



	MacDon Part #	Description	Manufacturer	Series	Manufacturer Part #
A		Connector – Plug (RED Insert)	Tyco	Ampseal 16	776523-1
		Terminal			1924464-1, 924464-2, 776492-1, 776492-2
		Lock			
		Secondary Lock			
		Seal			
		Mating Connector		776535-1	
		Extraction Tool		776441-1	
		Crimp Tool			
		Cavity Plug			
		Boots/Caps			

THREE-POSITION CONNECTORS

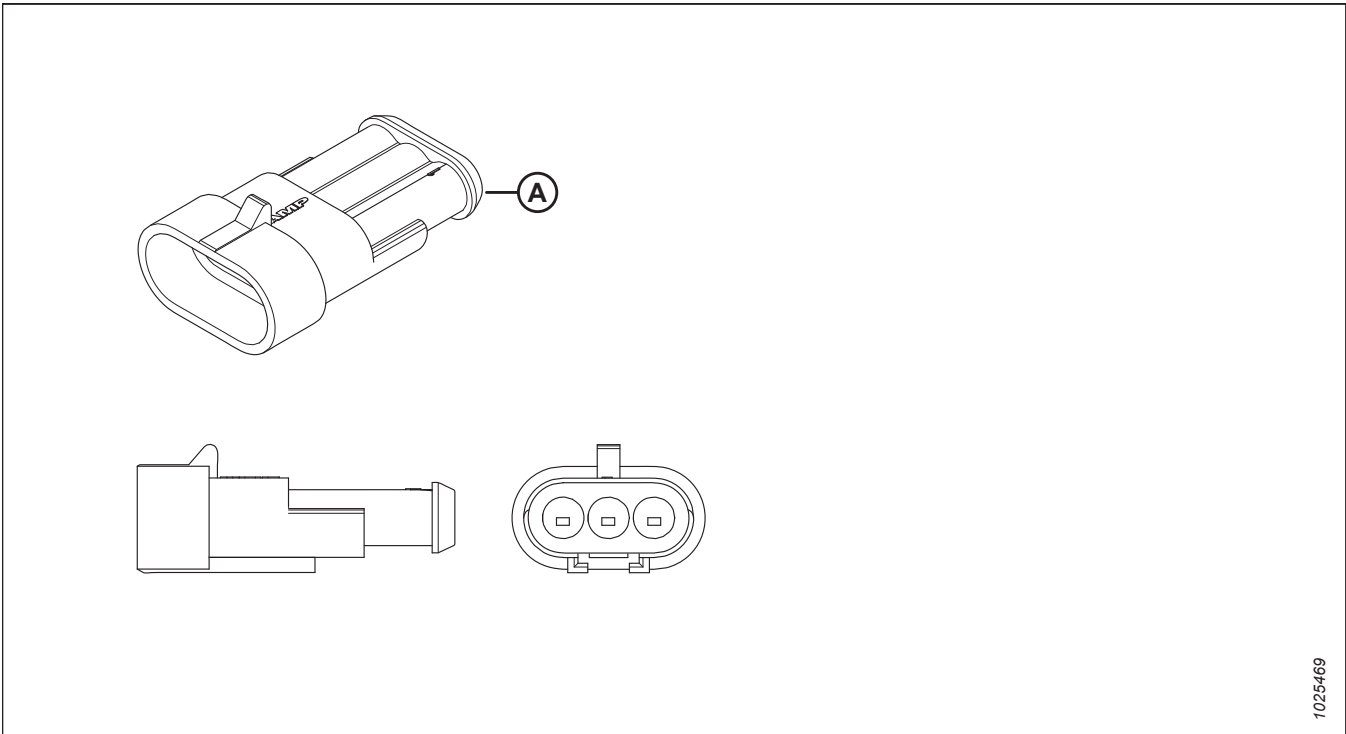
4.21



	MacDon Part #	Description	Manufacturer	Series	Manufacturer Part #
A		Connector – Plug (GREEN Insert)	Tyco		776523-4
		Terminal			1924464, 2098251
		Lock			
		Secondary Lock			
		Seal			
		Mating Connector			
		Extraction Tool		776441-1	
		Crimp Tool			
		Cavity Plug		776364-1	
		Boots/Caps		2035047, 2035048, 2035366, 2292861	

THREE-POSITION CONNECTORS

4.22

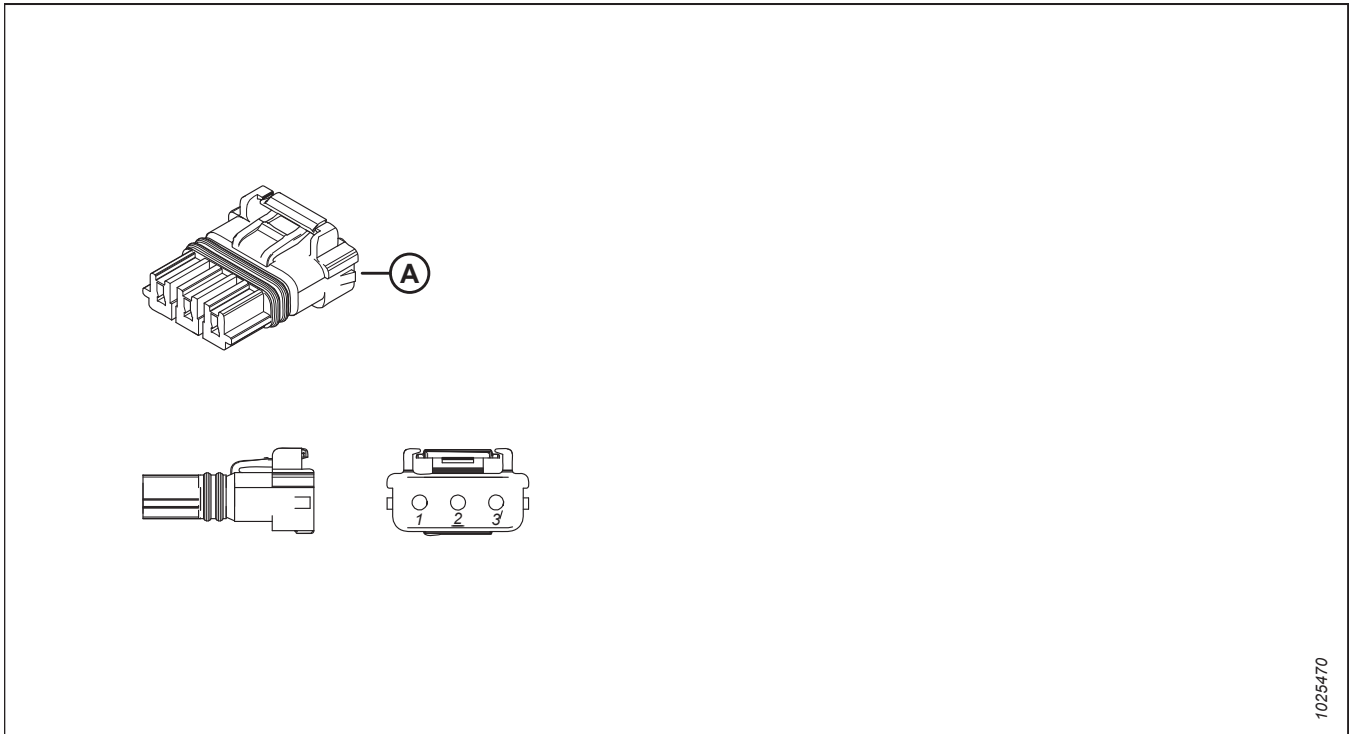


1025469

	MacDon Part #	Description	Manufacturer	Series	Manufacturer Part #
A		Connector – Receptacle	Tyco		282105-1
		Terminal			
		Lock			
		Secondary Lock			
		Seal			
		Mating Connector			
		Extraction Tool			
		Crimp Tool			
		Cavity Plug			
		Boots/Caps			

THREE-POSITION CONNECTORS

4.23

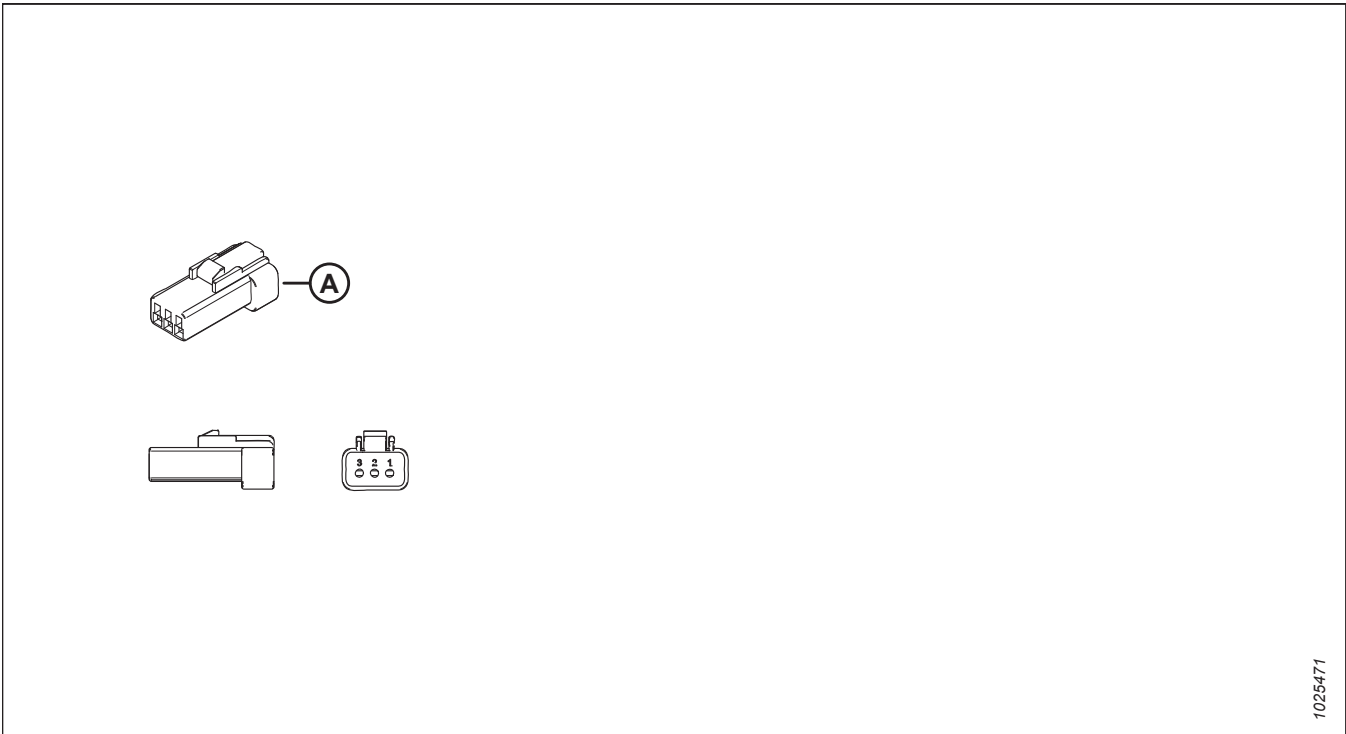


1025470

	MacDon Part #	Description	Manufacturer	Series	Manufacturer Part #
A		Connector – Plug	JST		03R-WPJV-1-SMM
		Terminal			
		Lock			
		Secondary Lock			
		Seal			
		Mating Connector			
		Extraction Tool			
		Crimp Tool			
		Cavity Plug			
		Boots/Caps			

THREE-POSITION CONNECTORS

4.24

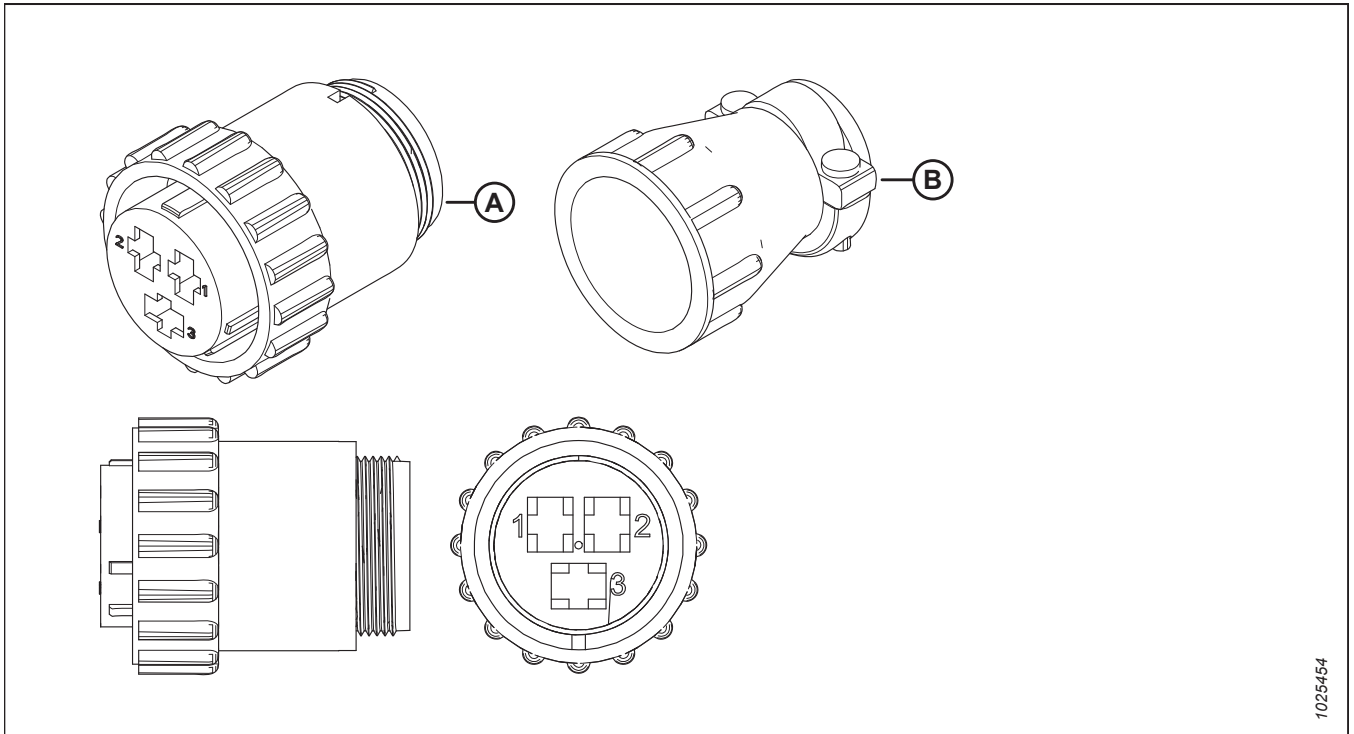


1025471

	MacDon Part #	Description	Manufacturer	Series	Manufacturer Part #
A		Connector – Plug	JST		03R-JWPF-VSLE-S
		Terminal			
		Lock			
		Secondary Lock			
		Seal			
		Mating Connector			
		Extraction Tool			
		Crimp Tool			
		Cavity Plug			
		Boots/Caps			

THREE-POSITION CONNECTORS

4.25

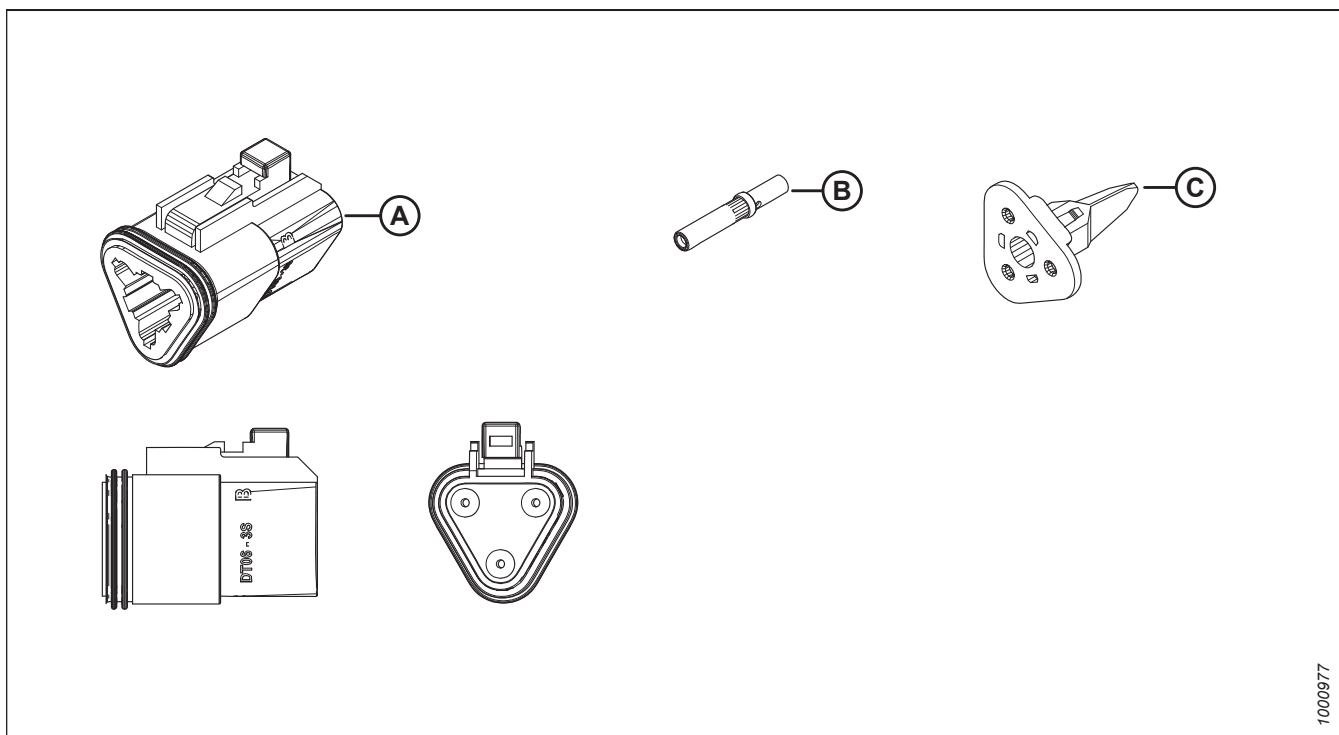


1025454

	MacDon Part #	Description	Manufacturer	Series	Manufacturer Part #
A		Connector – Plug	Tyco		206037-2
B		Clamp Kit	Tyco		206070-1
		Terminal			
		Lock			
		Secondary Lock			
		Seal			
		Mating Connector			
		Extraction Tool			
		Crimp Tool			
		Cavity Plug			
		Boots/Caps			

THREE-POSITION CONNECTORS

4.26

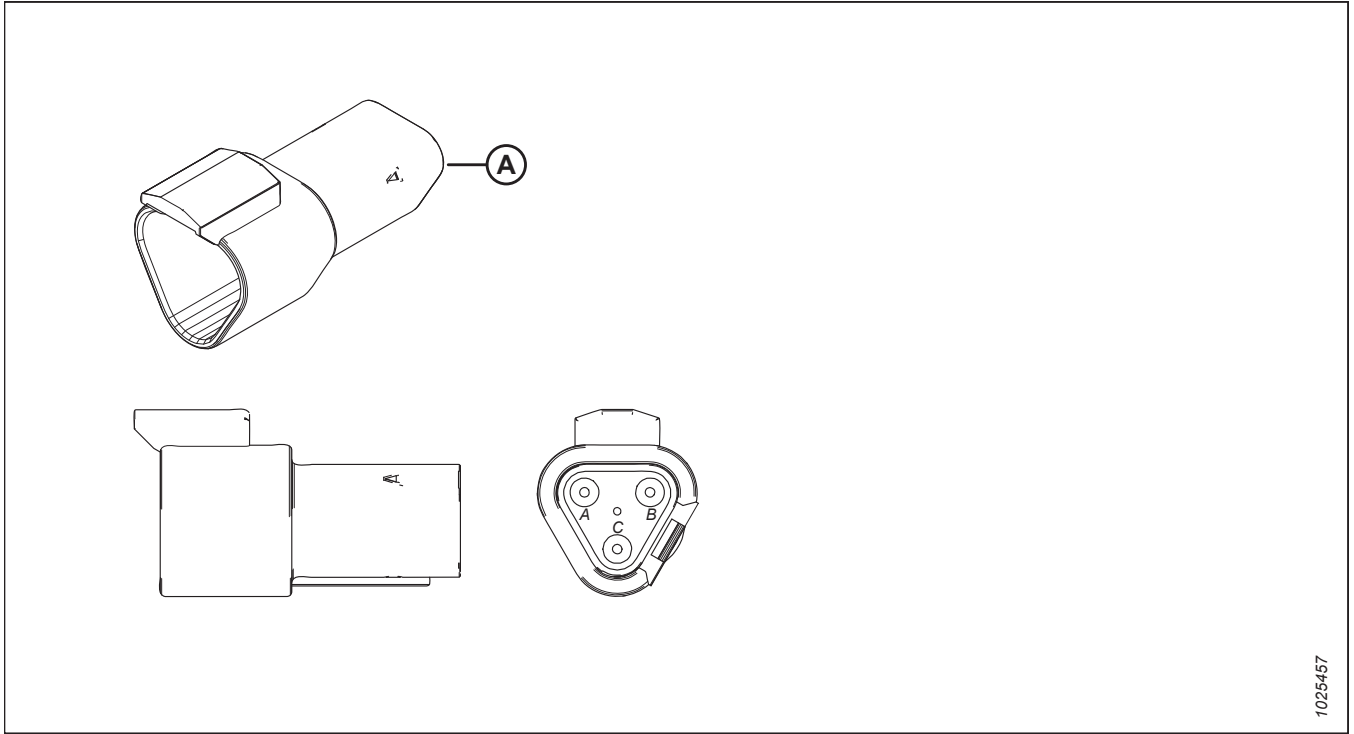


1000977

	MacDon Part #	Description	Manufacturer	Series	Manufacturer Part #
A	134344	Connector – Plug (16–18 ga)	Deutsch	DT	DT06-3S-P032
B	134026	Terminal – Socket		Size 16	0462-201-16141 (nickel), 0462-201-1631 (gold)
C		Lock	Deutsch	DT	W3S-P012
		Mating Connector	DT04-3P-E004, DT04-3P-E005, DT04-3P-EE01, DT04-3P-LE12		
		Extraction Tool			
		Crimp Tool			
		Boots/Caps	1011-345-0305		

THREE-POSITION CONNECTORS

4.27



	MacDon Part #	Description	Manufacturer	Series	Manufacturer Part #
A		Connector – Receptacle	Deutsch	DT	DT04-3P-E004
		Terminal			
		Lock			
		Secondary Lock			
		Seal			
		Mating Connector			
		Extraction Tool			
		Crimp Tool			
		Cavity Plug			
		Boots/Caps			

THREE-POSITION CONNECTORS

4.28

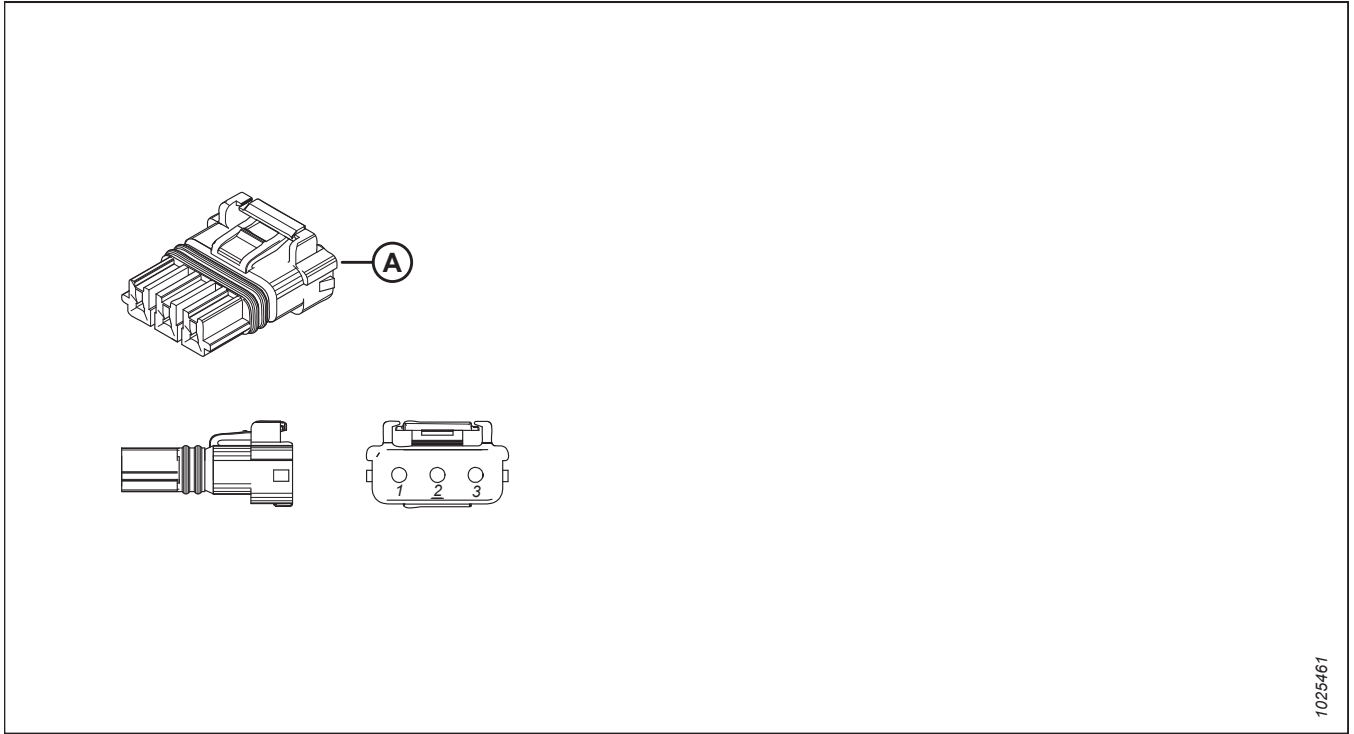


1025460

	MacDon Part #	Description	Manufacturer	Series	Manufacturer Part #
A		Connector – Plug	JST		WPJR-03V-2-R
		Terminal			
		Lock			
		Secondary Lock			
		Seal			
		Mating Connector	B03B-WPJRS-2 (LF) (SN)		
		Extraction Tool			
		Crimp Tool			
		Cavity Plug			
		Boots/Caps			

THREE-POSITION CONNECTORS

4.29

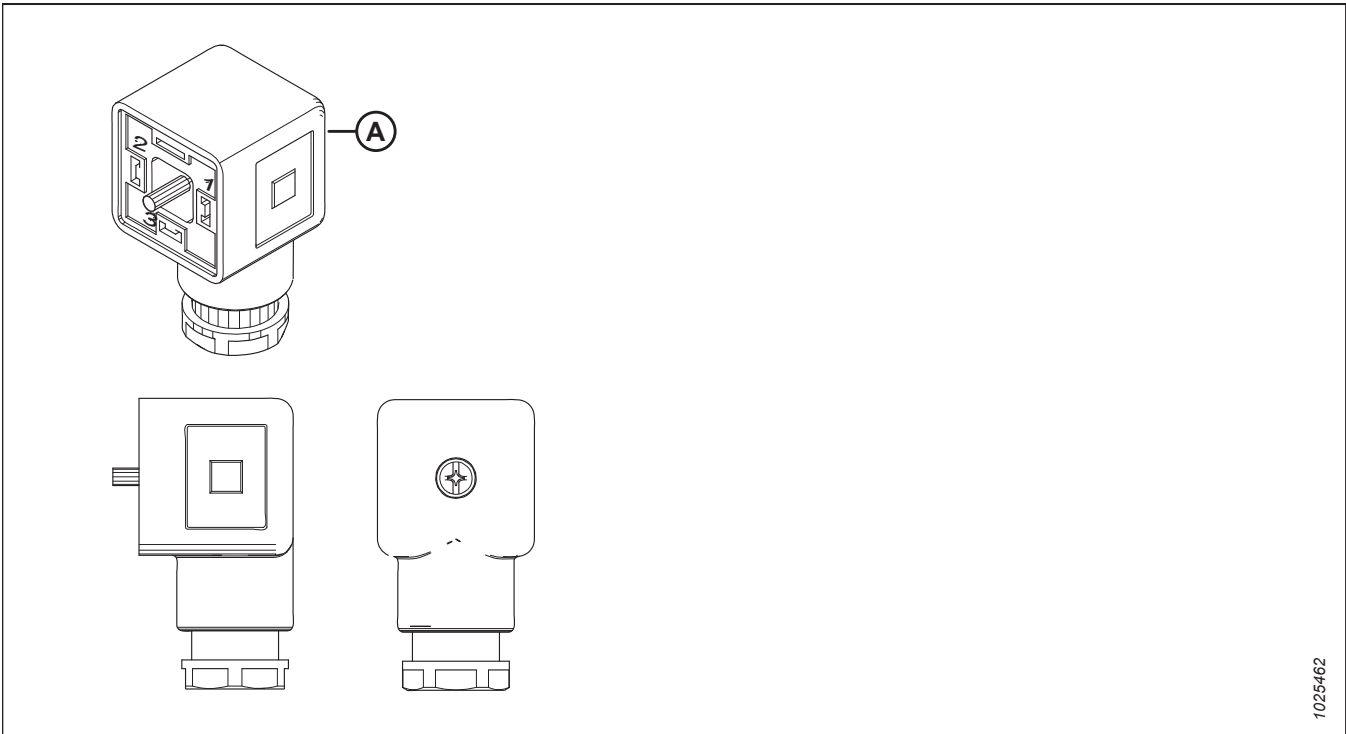


1025461

	MacDon Part #	Description	Manufacturer	Series	Manufacturer Part #
A		Connector – Plug	JST		WPJR-03V-3-E
		Terminal			
		Lock			
		Secondary Lock			
		Seal			
		Mating Connector	B03B-WPJES-3 (LF) (SN)		
		Extraction Tool			
		Crimp Tool			
		Cavity Plug			
		Boots/Caps			

THREE-POSITION CONNECTORS

4.30

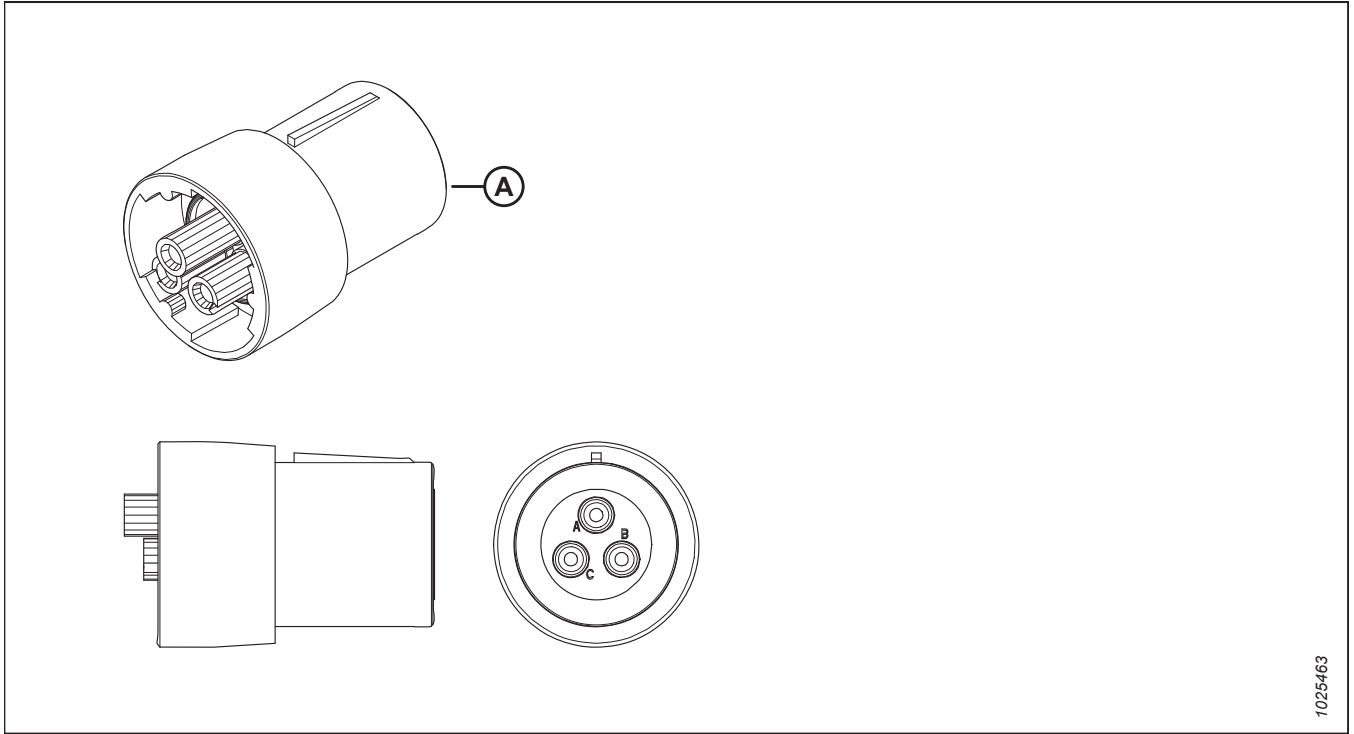


1025462

	MacDon Part #	Description	Manufacturer	Series	Manufacturer Part #
A		Connector – Housing	Hirschmann		932109-100, 932109-106
		Terminal			
		Lock			
		Secondary Lock			
		Seal			GDM3-17MPQ, GDM3-19VMQ, GDM3-16NBR
		Mating Connector			
		Extraction Tool			
		Crimp Tool			
		Cavity Plug			
		Boots/Caps		GDM3011-7	

THREE-POSITION CONNECTORS

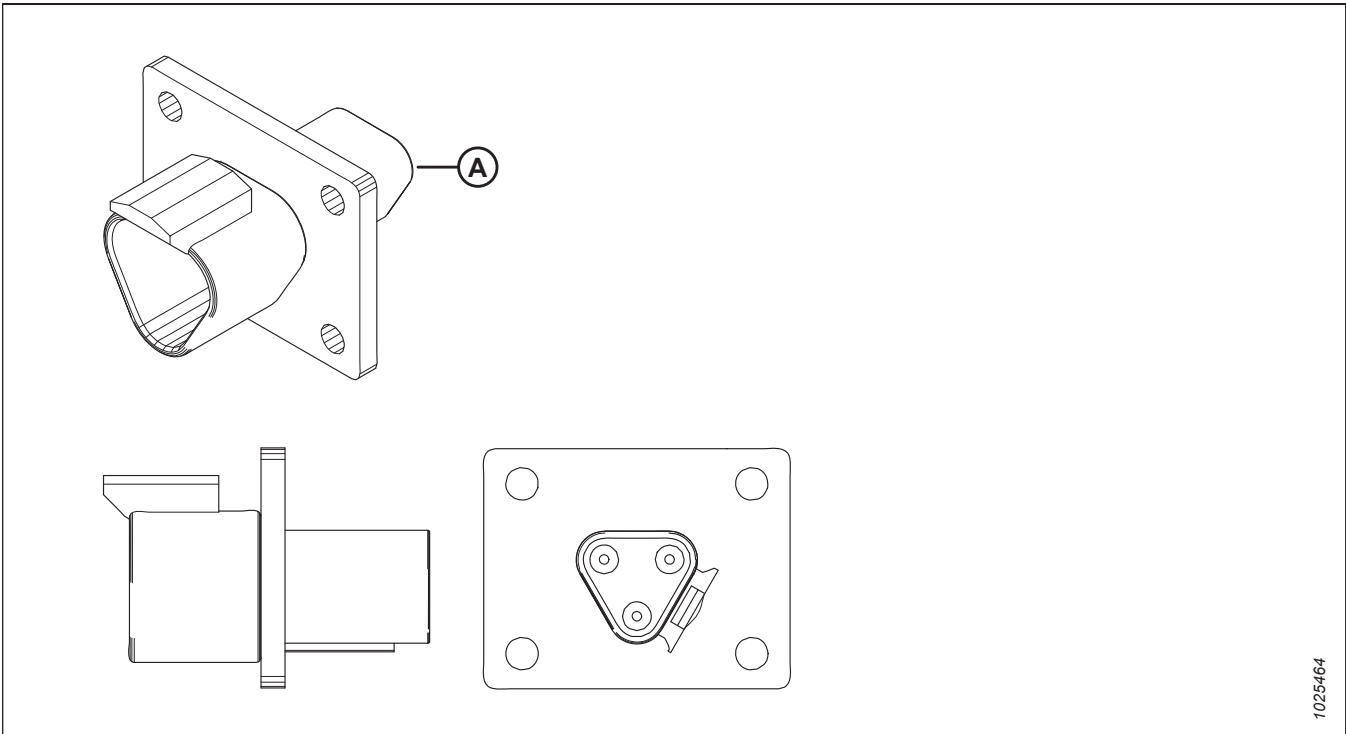
4.31



	MacDon Part #	Description	Manufacturer	Series	Manufacturer Part #
A		Connector	Deutsch		HD16-3-16S
		Terminal			
		Lock			
		Secondary Lock			
		Seal			
		Mating Connector			
		Extraction Tool			
		Crimp Tool			
		Cavity Plug			
		Boots/Caps			

THREE-POSITION CONNECTORS

4.32

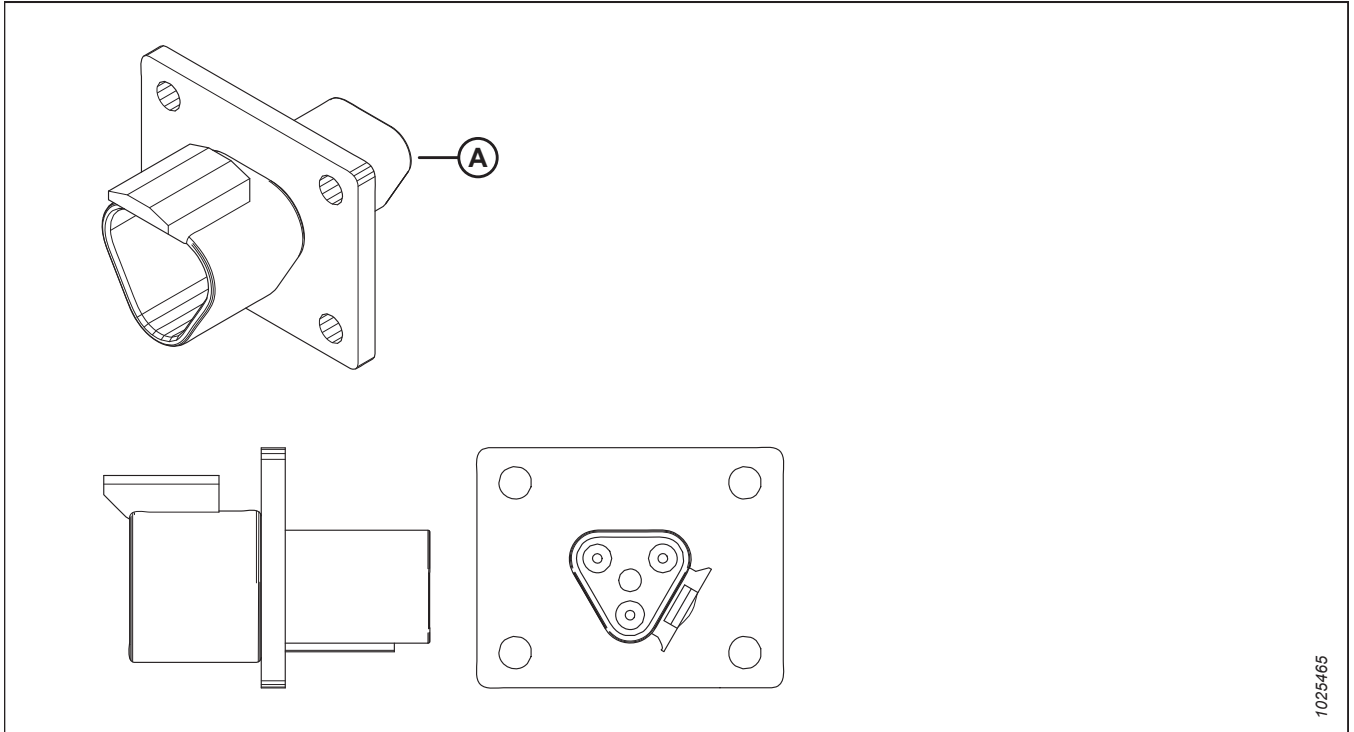


1025464

	MacDon Part #	Description	Manufacturer	Series	Manufacturer Part #
A		Connector – Receptacle	Deutsch	DT	DT04-3P-CL03
		Terminal			
		Lock			
		Secondary Lock			
		Seal			
		Mating Connector			
		Extraction Tool			
		Crimp Tool			
		Cavity Plug			
		Boots/Caps			

THREE-POSITION CONNECTORS

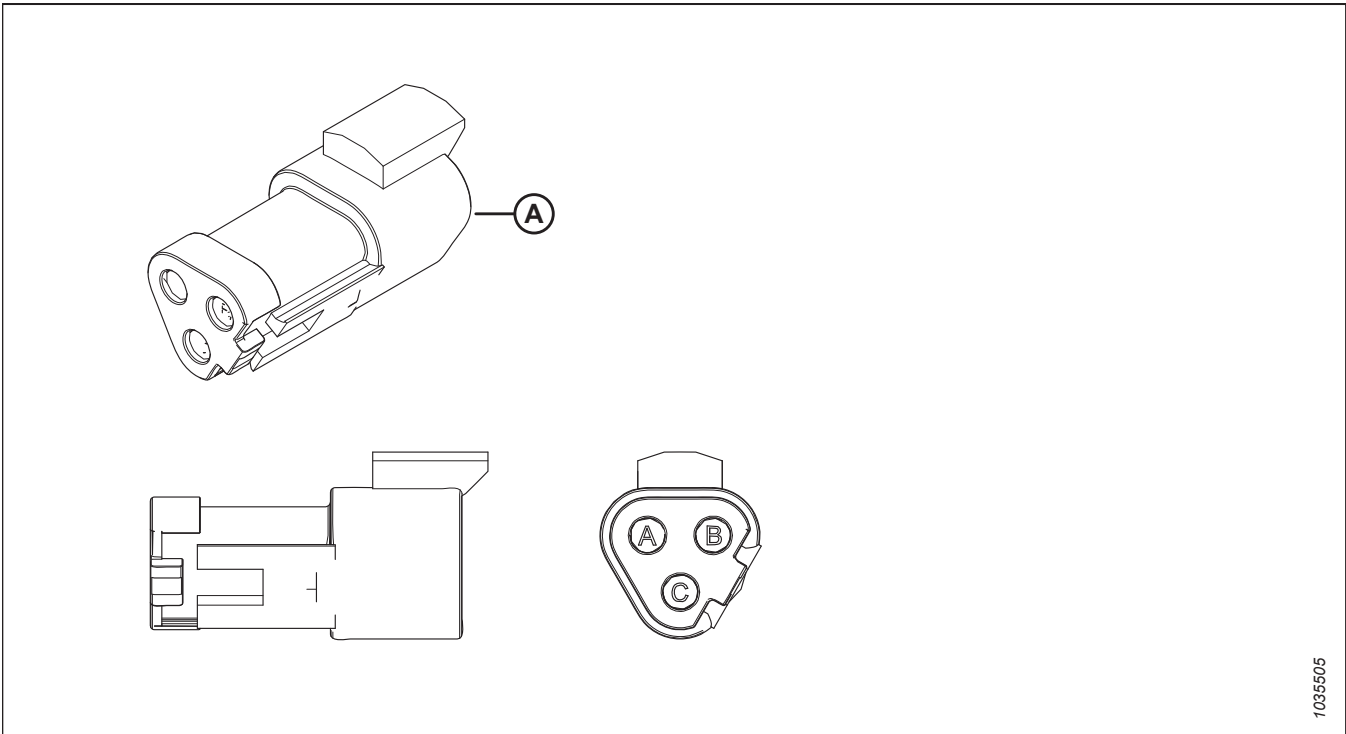
4.33



	MacDon Part #	Description	Manufacturer	Series	Manufacturer Part #
A		Connector – Receptacle	Deutsch	DT	DT04-3P-L012
		Terminal			
		Lock			
		Secondary Lock			
		Seal			
		Mating Connector			
		Extraction Tool			
		Crimp Tool			
		Cavity Plug			
		Boots/Caps			

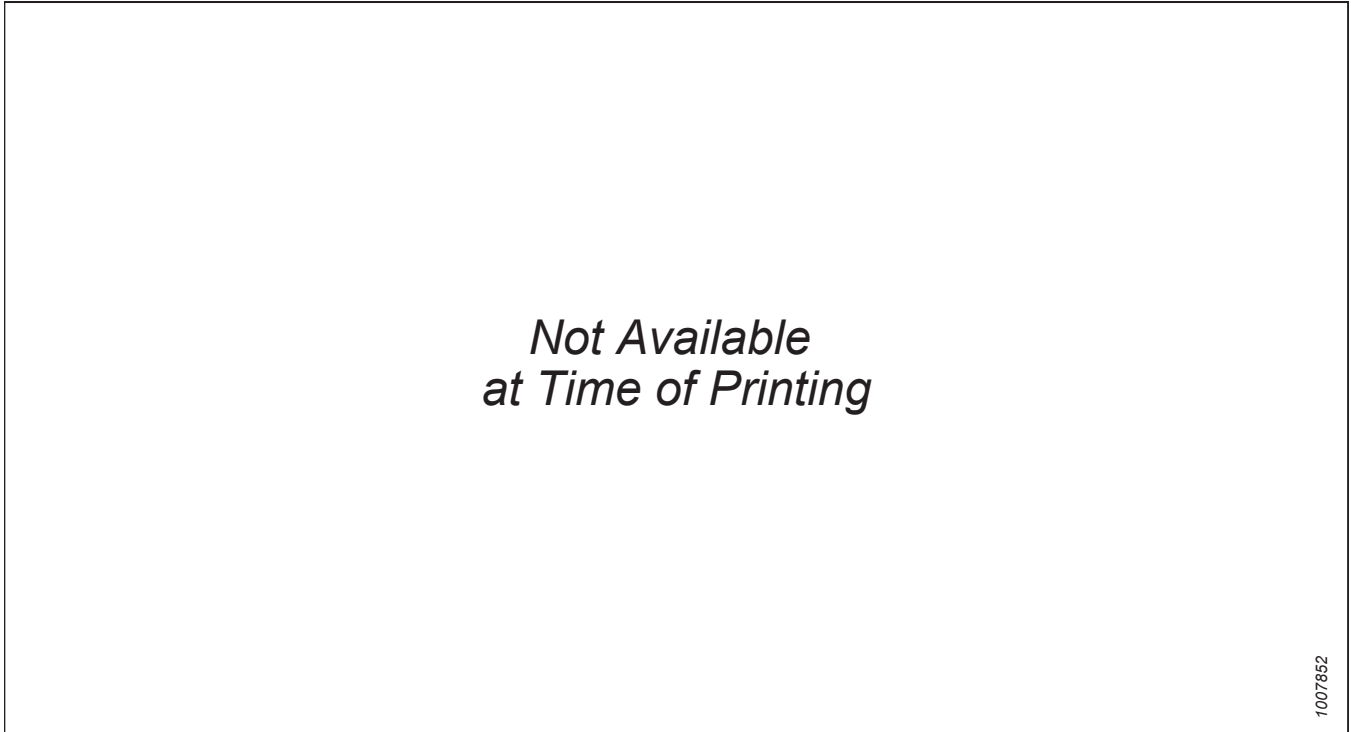
THREE-POSITION CONNECTORS

4.34



	MacDon Part #	Description	Manufacturer	Series	Manufacturer Part #
A	500470	Connector – Receptacle	Deutsch	DT	DT04-3P-EP10
B		Terminal			
		Lock			
		Secondary Lock			
		Seal			
		Mating Connector			
		Extraction Tool			
		Crimp Tool			
		Cavity Plug			
		Boots/Caps			

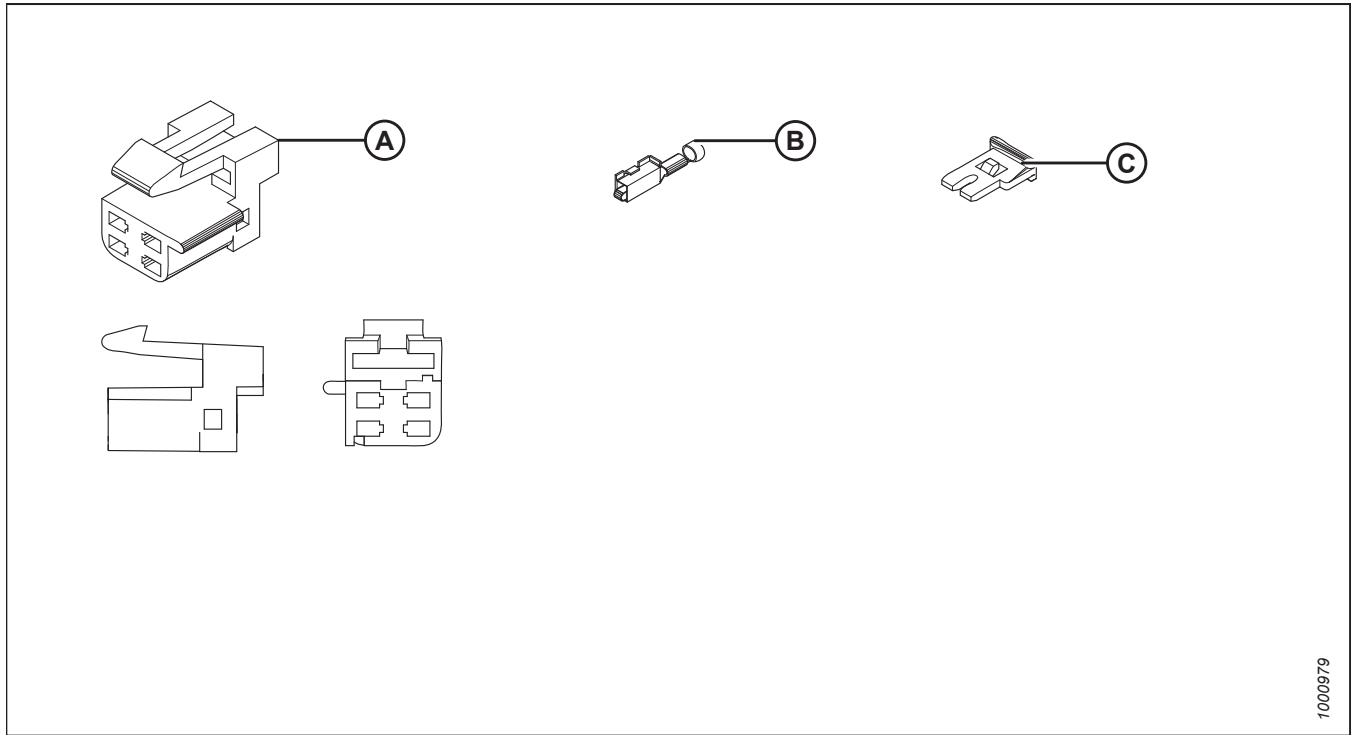
4.35



	MacDon Part #	Description	Manufacturer	Series	Manufacturer Part #
A		Connector – Receptacle	Yazaki		7128-1030
		Terminal			
		Lock			
		Secondary Lock			
		Seal			
		Mating Connector			
		Extraction Tool			
		Crimp Tool			
		Cavity Plug			
		Boots/Caps			

Chapter 5: Four-Position Connectors

5.1

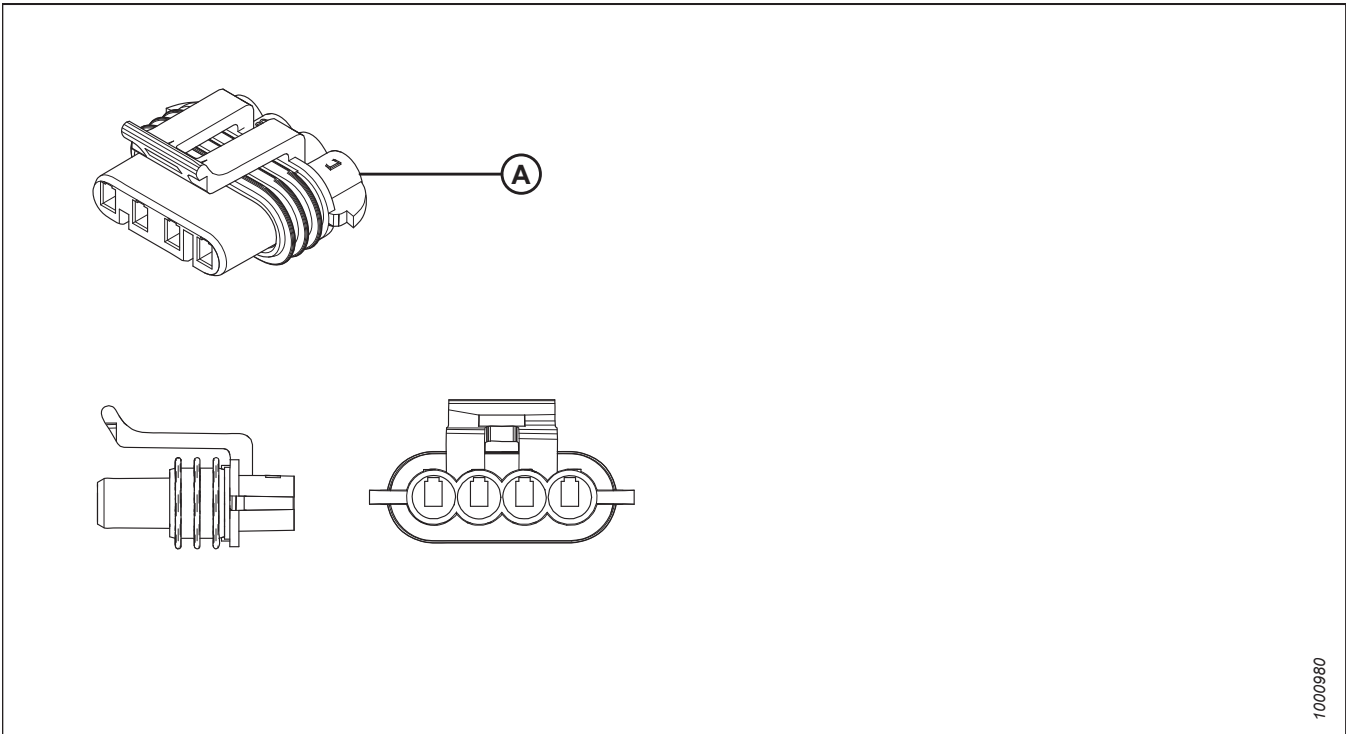


1000979

	MacDon Part #	Description	Manufacturer	Series	Manufacturer Part #
A		Connector – Plug	Delphi	M/P 150	12064760
B	134139	Terminal – Socket (16–20 ga)	Delphi	M/P 150	12047767 15317877 15326030 12064971
C	134140	Lock	Delphi	M/P 150	12047664
		Lock – Secondary			15324070
		Mating Connector	12065657, 12065658, 12064761, 12162624		
	134158	Extraction Tool	12094429		
		Crimp Tool			

FOUR-POSITION CONNECTORS

5.2

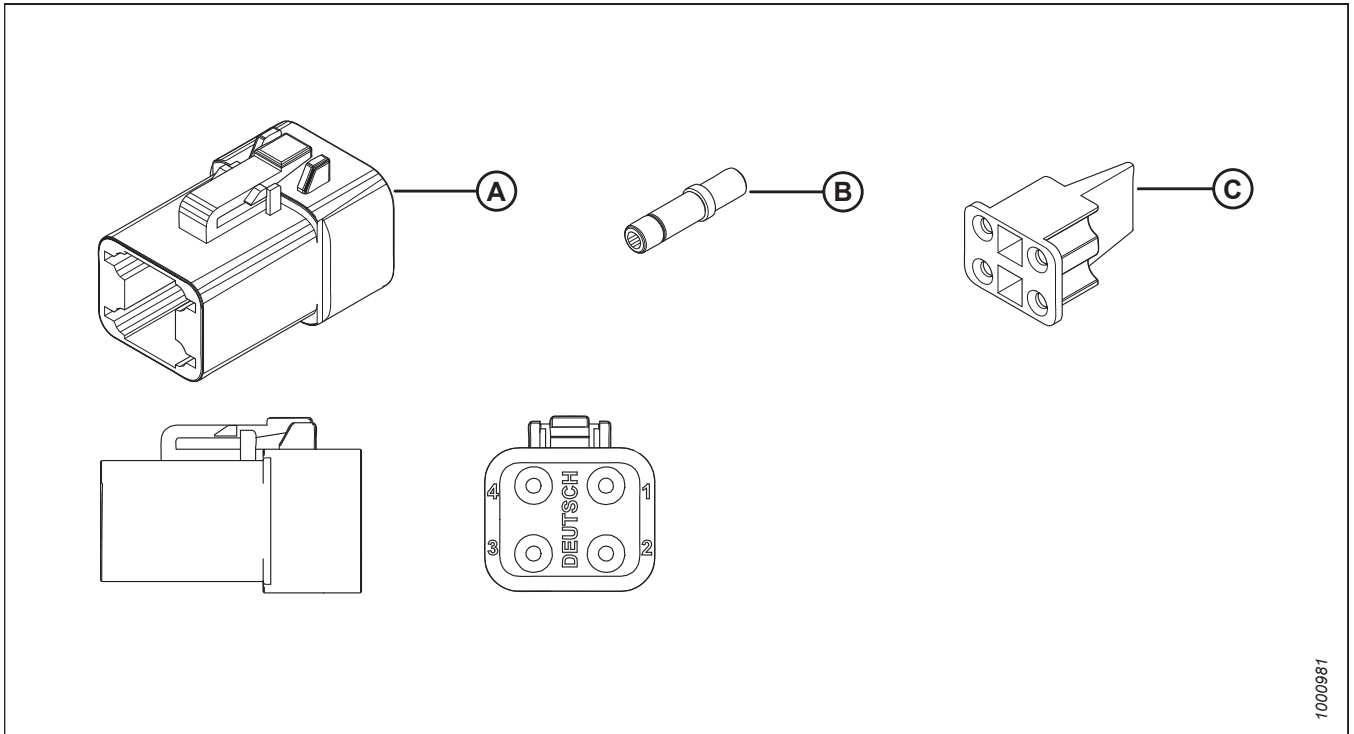


1000980

	MacDon Part #	Description	Manufacturer	Series	Manufacturer Part #
A		Connector – Plug	Delphi	M/P 150	12186568
		Terminal			15326225 12084200 12160222 15366078 15326396
		Lock – Secondary			12047948
		Mating Connector	12089282, 12124626, 12186271, 15357029		
	134158	Extraction Tool	12094429		
		Crimp Tool			

FOUR-POSITION CONNECTORS

5.3

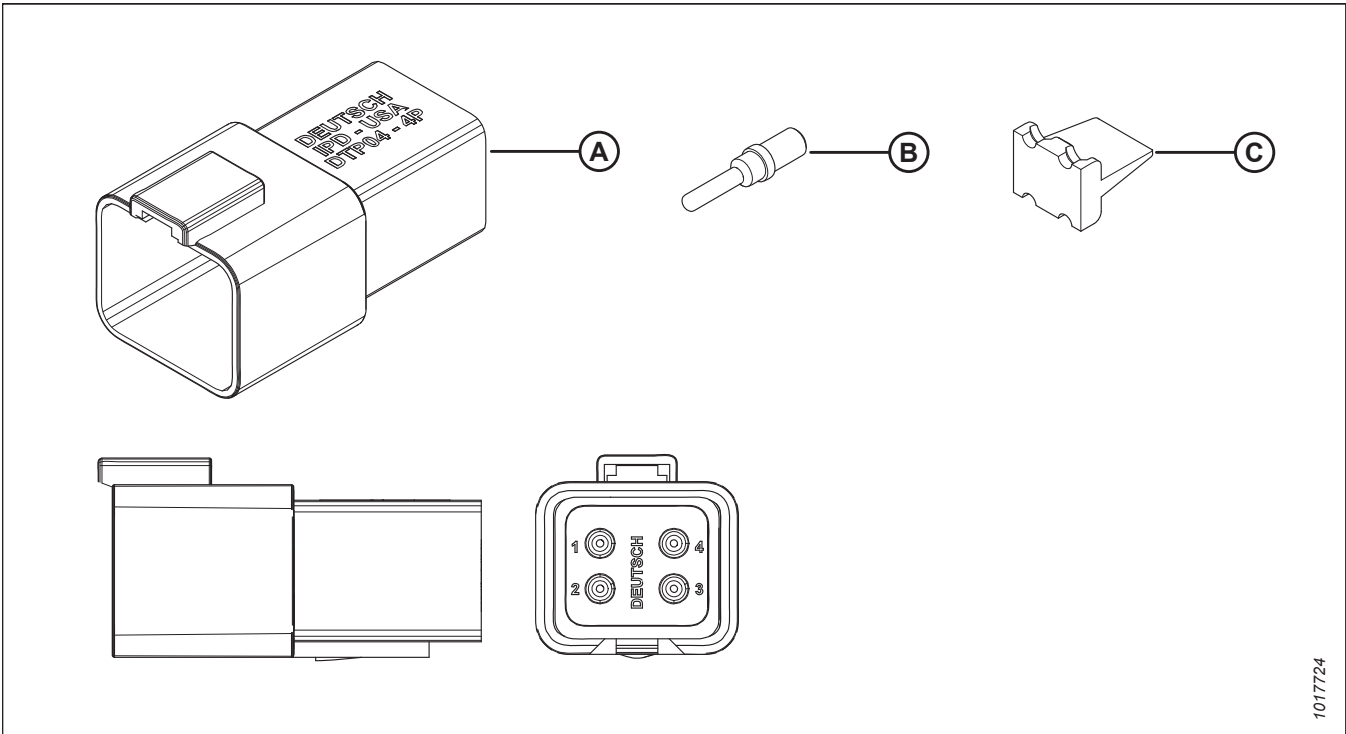


1000981

	MacDon Part #	Description	Manufacturer	Series	Manufacturer Part #
A	134022	Connector – Plug (10–14 ga)	Deutsch	DTP	DTP06-4S
B	134027	Terminal – Socket (12–14 ga)	Deutsch	Size 12	0462-203-12141 (nickel), 0462-210-1231 (gold)
C	134025	Lock	Deutsch	DTP	WP-4S
		Mating Connector	DTP04-4P		
		Extraction Tool			
		Crimp Tool			

FOUR-POSITION CONNECTORS

5.4

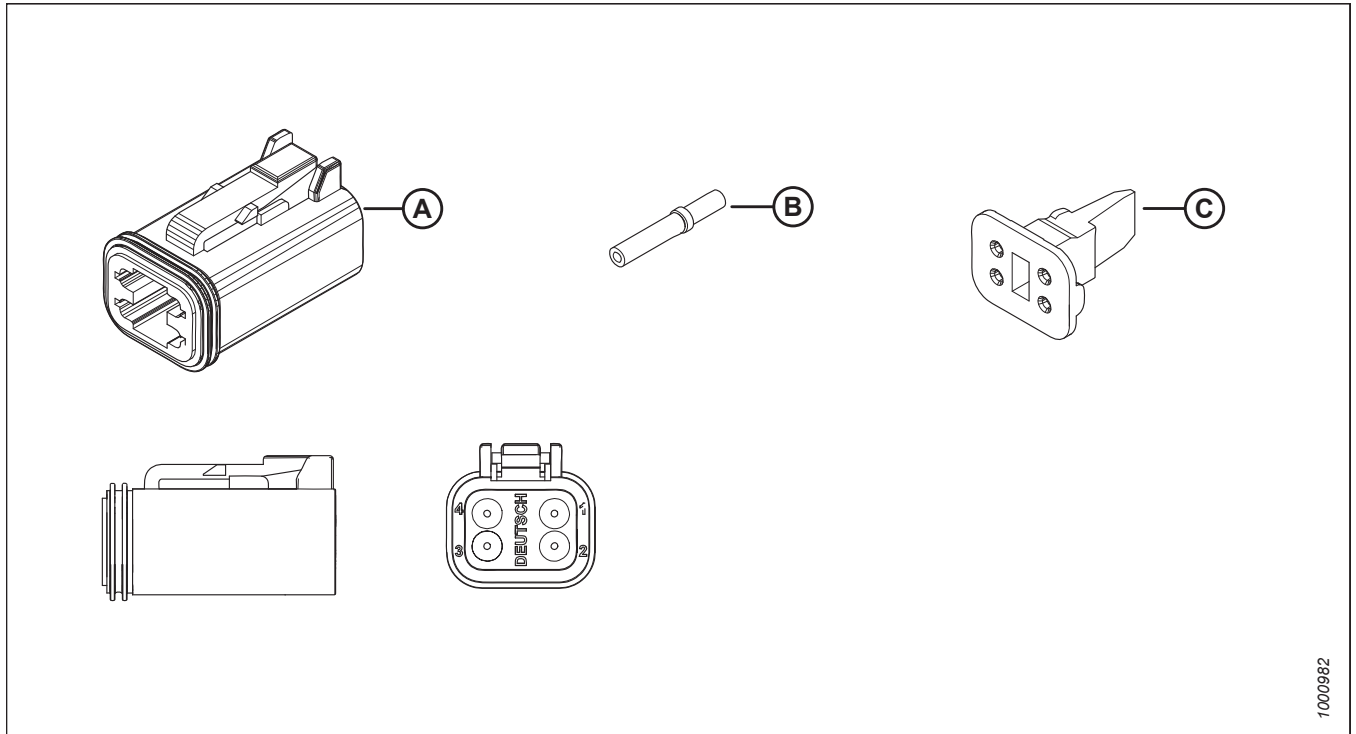


1017724

	MacDon Part #	Description	Manufacturer	Series	Manufacturer Part #
A		Connector – Receptacle	Deutsch	DTP	DTP04-4P
B	134024	Terminal – Pin	Deutsch	Size 12	0460-204-12141 (nickel), 0460-220-1231 (gold)
C	134393	Lock	Deutsch	DTP	WP-4P
	134022	Mating Connector		DTP06-4S	
		Extraction Tool			
		Crimp Tool			

FOUR-POSITION CONNECTORS

5.5

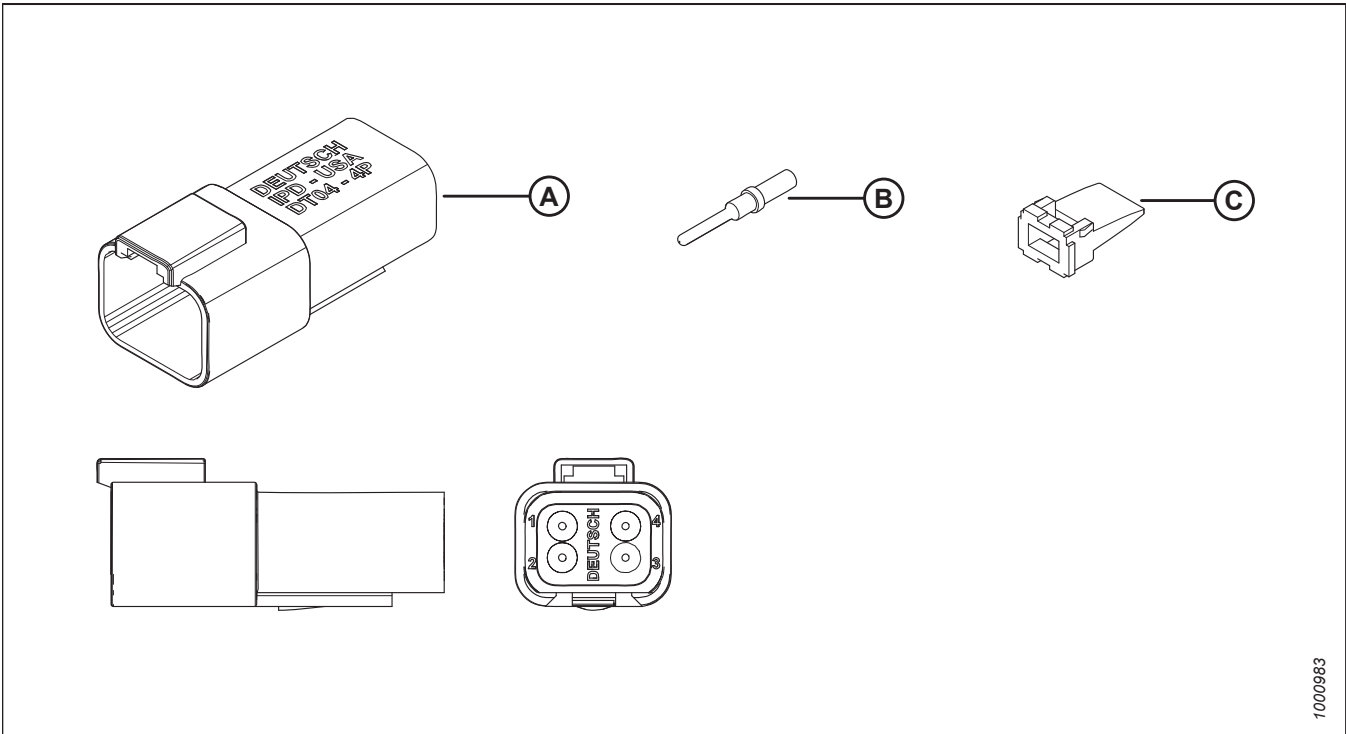


1000982

	MacDon Part #	Description	Manufacturer	Series	Manufacturer Part #
A	134033	Connector – Plug (16–24 ga)	Deutsch	DT	DT06-4S-P012
B	134026	Terminal – Socket (16–18 ga)	Deutsch	Size 16	0462-201-16141 (nickel), 0462-201-1631 (gold)
C	134035	Lock	Deutsch	DT	W4S-P012
	134032 134033	Mating Connector	DT04-4P or DT04-4P-L012		
		Extraction Tool			
	134015	Crimp Tool	HDT-48-00		

FOUR-POSITION CONNECTORS

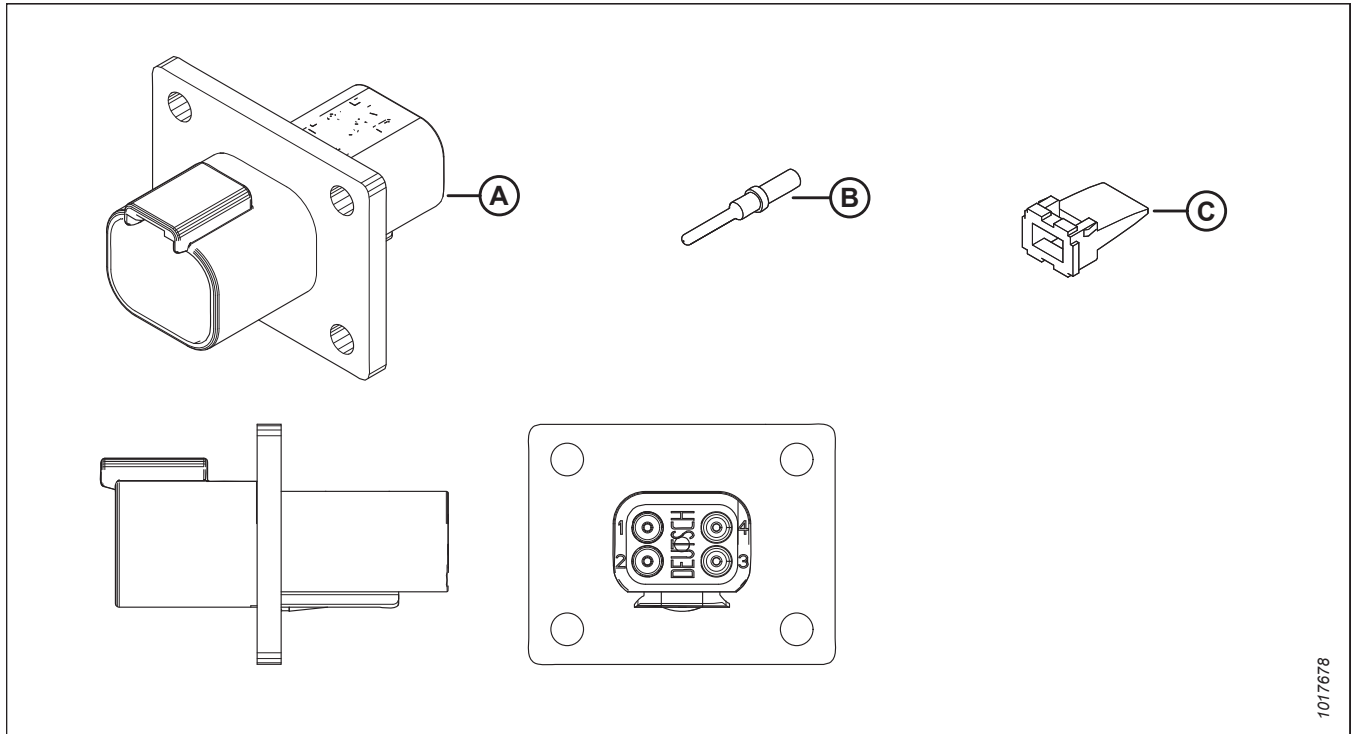
5.6



	MacDon Part #	Description	Manufacturer	Series	Manufacturer Part #
A	134032	Connector – Receptacle (16–24 ga)	Deutsch	DT	DT04-4P
B	134023	Terminal – Pin (16–18 ga)	Deutsch	Size 16	0460-202-16141 (nickel), 0460-202-1631 (gold)
C	134034	Lock	Deutsch	DT	W4P
	134033	Mating Connector		DT06-4S-P012	
		Extraction Tool			
	134015	Crimp Tool		HDT-48-00	

FOUR-POSITION CONNECTORS

5.7

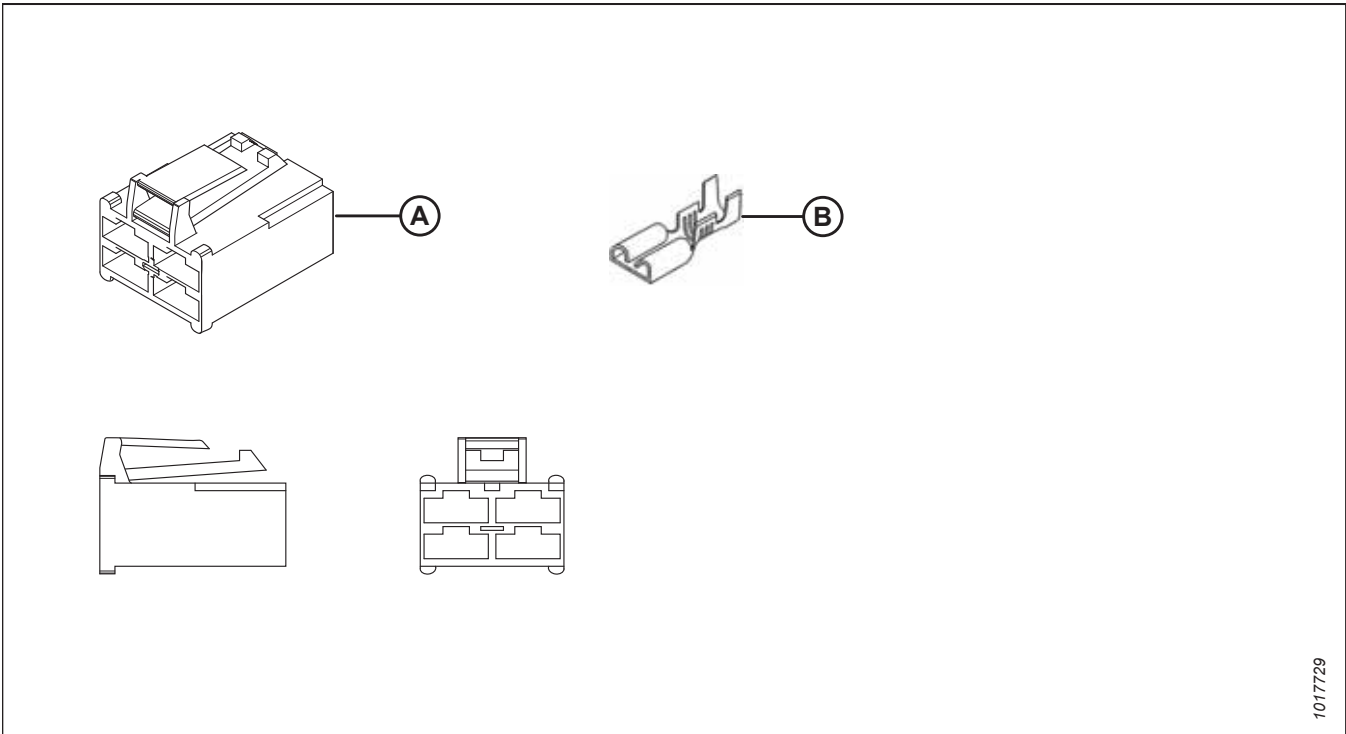


1017678

	MacDon Part #	Description	Manufacturer	Series	Manufacturer Part #
A		Connector – Receptacle (16–24 ga)	Deutsch	DT	DT04-4P-L012
B	134023	Terminal – Pin (16–18 ga)	Deutsch	Size 16	0460-202-16141 (nickel), 0460-202-1631 (gold)
C	134034	Lock	Deutsch	DT	W4P
	134033	Mating Connector		DT06-4S-P012	
		Extraction Tool			
		Crimp Tool		HDT-48-00	

FOUR-POSITION CONNECTORS

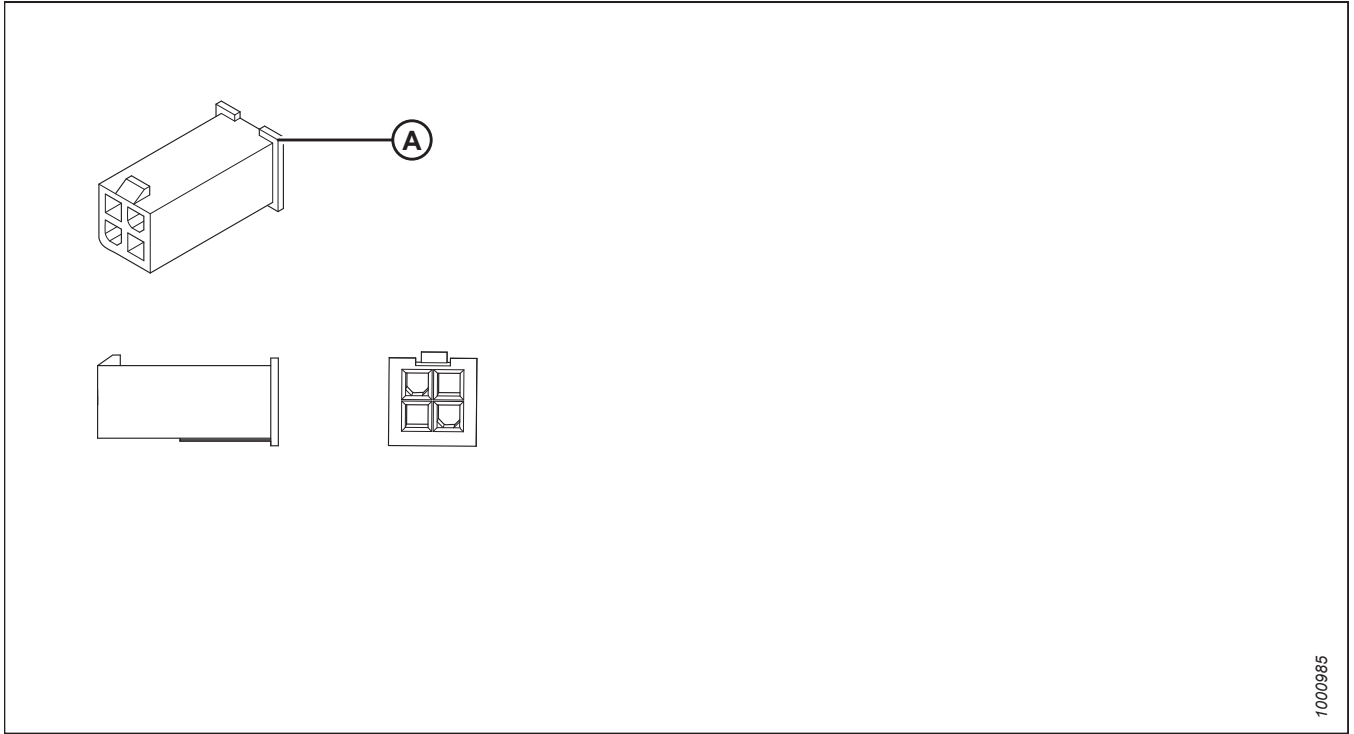
5.8



	MacDon Part #	Description	Manufacturer	Series	Manufacturer Part #
A		Connector – Plug	Fargo Assembly		MEI123-2845
B	134097	Terminal – Socket	Fargo Assembly		ST730268-1
		Mating Connector			
		Extraction Tool			
		Crimp Tool			

FOUR-POSITION CONNECTORS

5.9

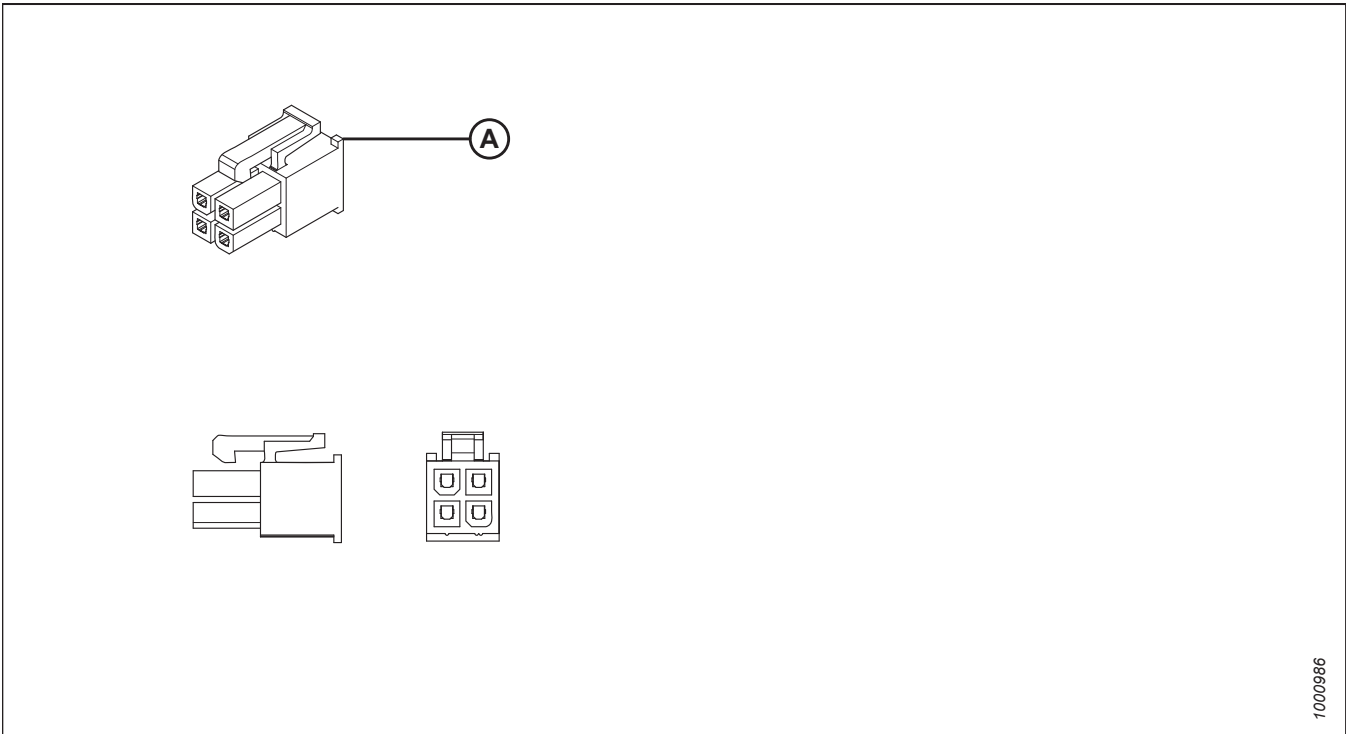


1000985

	MacDon Part #	Description	Manufacturer	Series	Manufacturer Part #
A		Connector – Receptacle	Molex	MFJ	39-01-3043
	134151	Terminal – Pin	Molex	MFJ	39-00-0040 39-00-0041 39-00-0075
		Mating Connector	39-01-2040, 39-01-2045, 39-01-3042		
		Extraction Tool			
		Crimp Tool			

FOUR-POSITION CONNECTORS

5.10

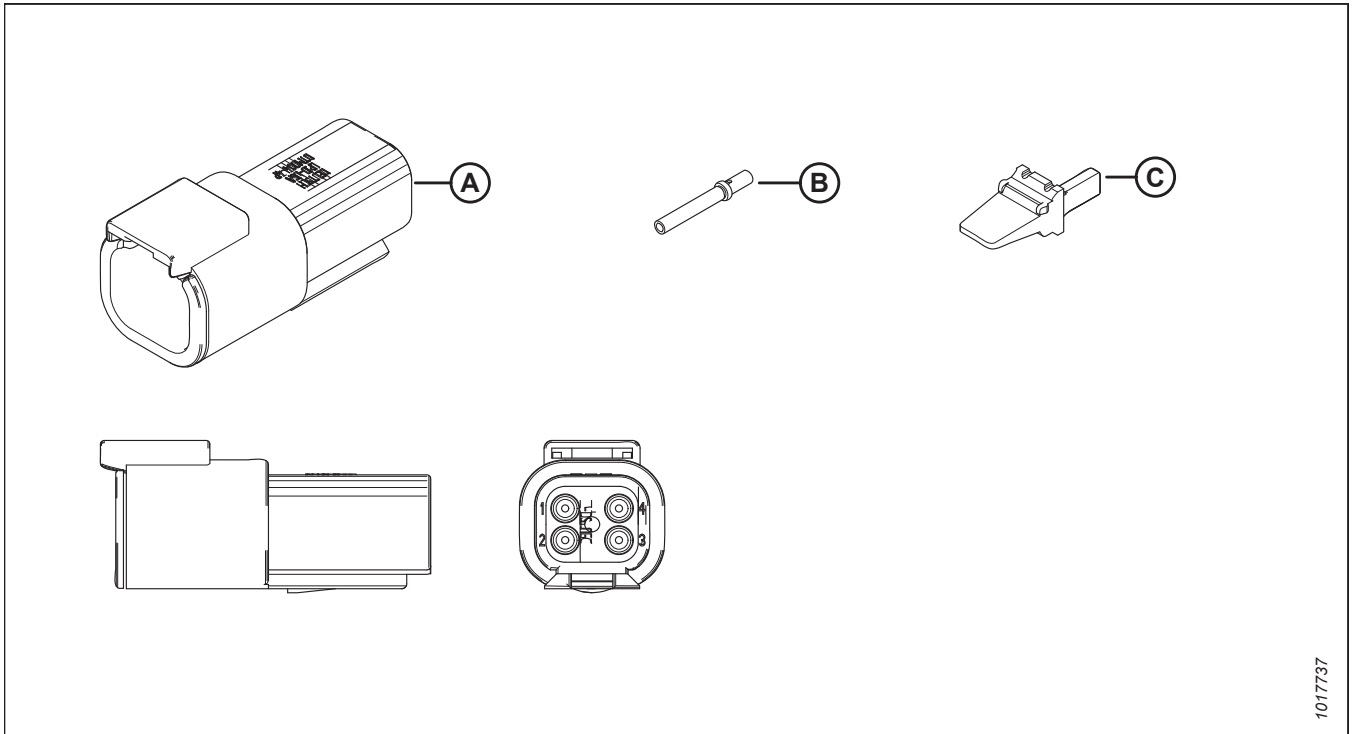


1000986

	MacDon Part #	Description	Manufacturer	Series	Manufacturer Part #
A		Connector – Plug	Molex	MFJ	39-01-2040
	134149	Terminal – Socket (18–24 ga)	Molex	MFJ	39-00-0428 39-00-0046 39-00-0038
		Mating Connector	39-01-3043, 39-01-2041, 39-30-1040		
		Extraction Tool			
		Crimp Tool			

FOUR-POSITION CONNECTORS

5.11

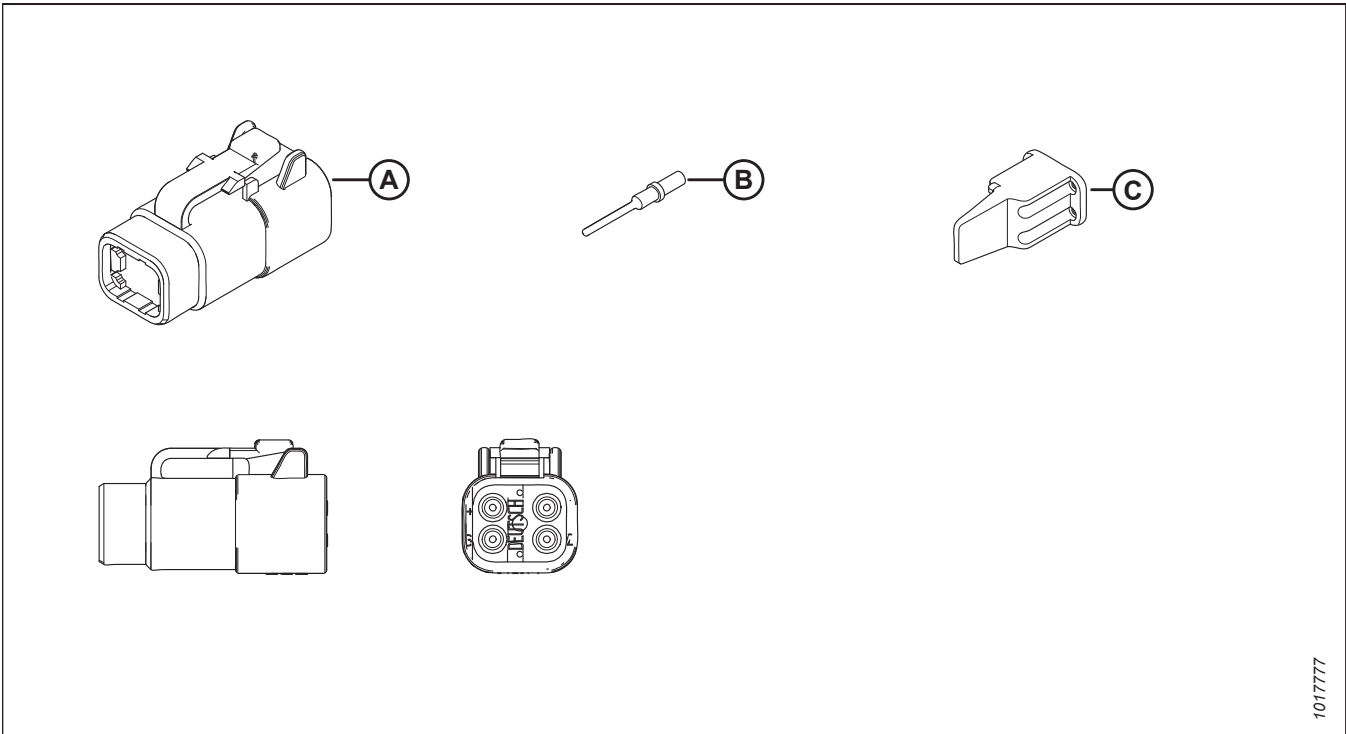


1017737

	MacDon Part #	Description	Manufacturer	Series	Manufacturer Part #
A		Connector – Plug (20–24 ga)	Deutsch	DTM	DTM04-4P
B	134017	Terminal – Socket (20–24 ga)	Deutsch	Size 20	0462-201-20141 (nickel), 0462-201-2031 (gold)
C		Lock	Deutsch	DTM	WM-4P
		Mating Connector		DTM06-4S	
	134012 134013	Extraction Tool		0411-240-2005, 0411-310-605	
		Crimp Tool			

FOUR-POSITION CONNECTORS

5.12

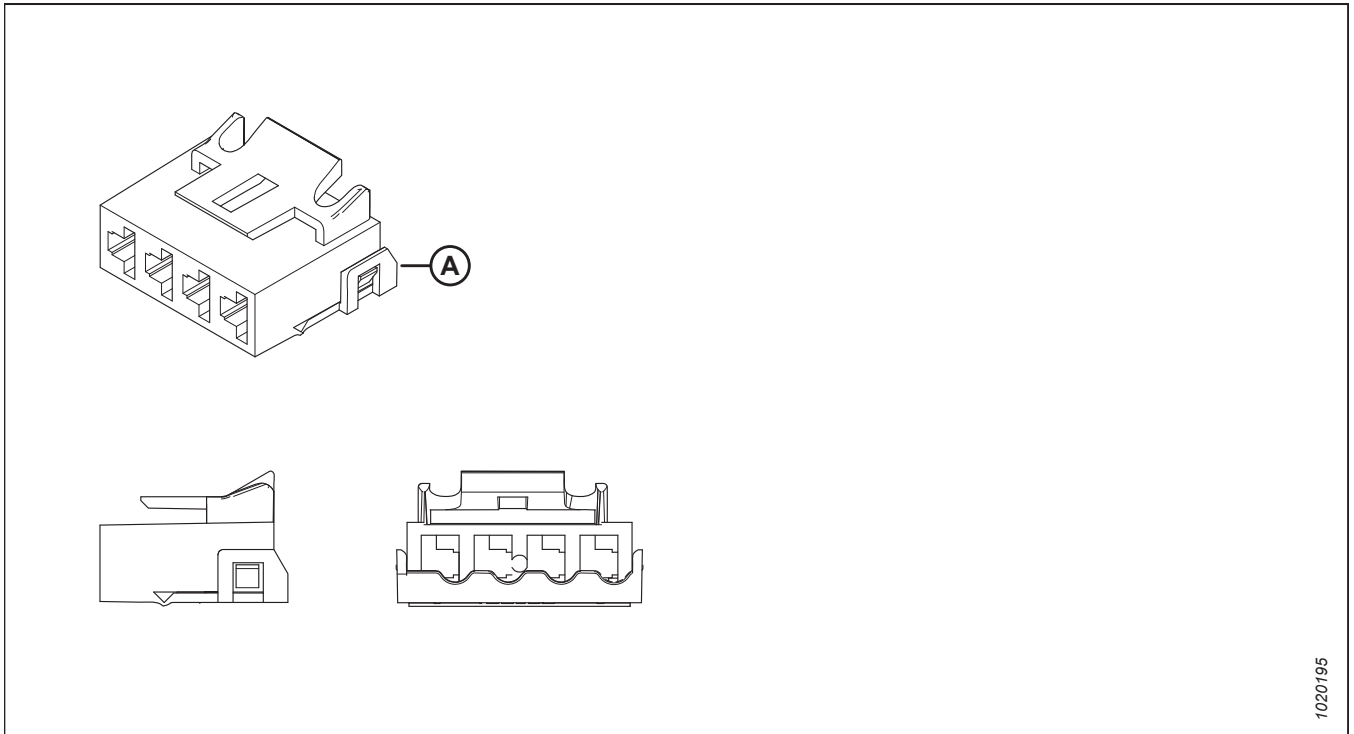


1017777

	MacDon Part #	Description	Manufacturer	Series	Manufacturer Part #
A		Connector – Receptacle (20–24 ga)	Deutsch	DTM	DTM06-4S
B	134016	Terminal – Pin (20–24 ga)	Deutsch	Size 20	0460-202-20141 (nickel), 0460-202-2031 (gold)
C		Lock	Deutsch	DTM	WM-4S
		Mating Connector	DTM04-4P		
		Extract Tool			
		Crimp Tool			

FOUR-POSITION CONNECTORS

5.13

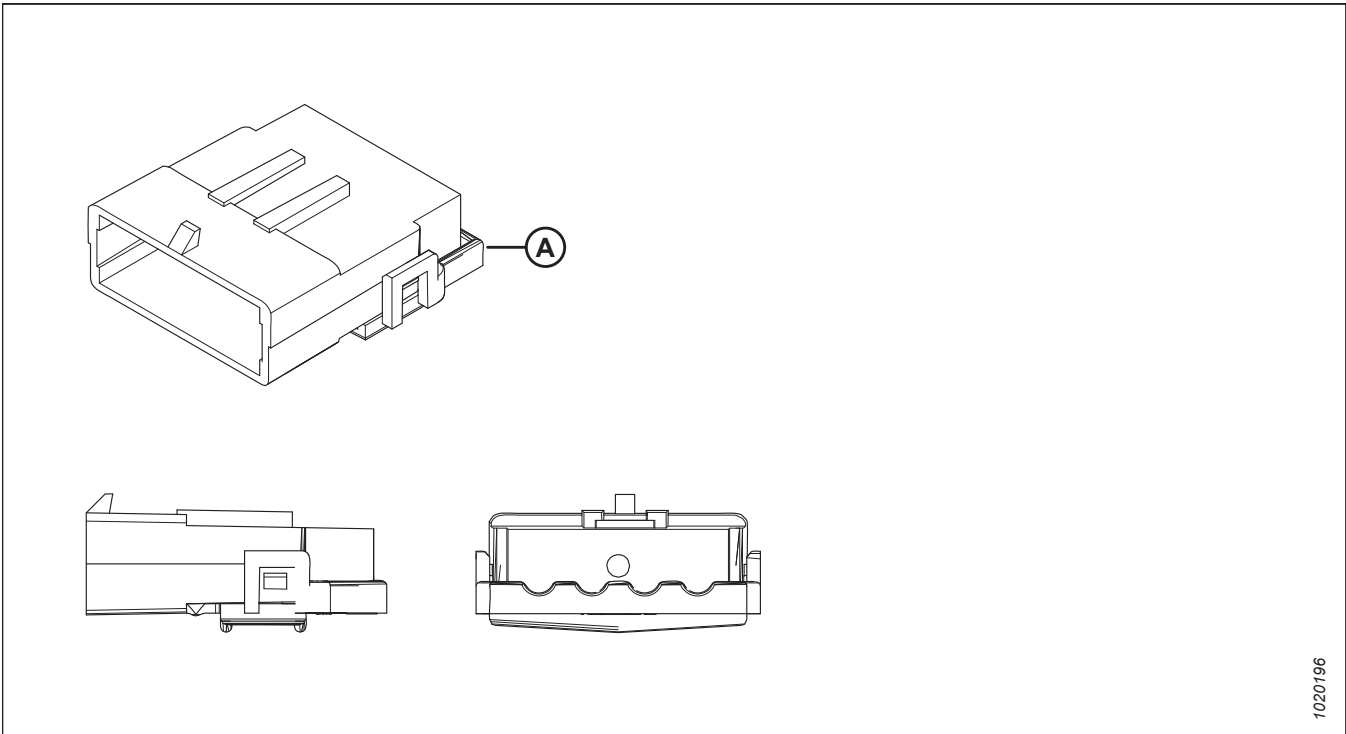


1020195

	MacDon Part #	Description	Manufacturer	Series	Manufacturer Part #
A		Connector – Plug	Delphi		12015664
		Terminal	Delphi		12015869
		Mating Connector		12052623	
		Extraction Tool			
		Crimp Tool			

FOUR-POSITION CONNECTORS

5.14

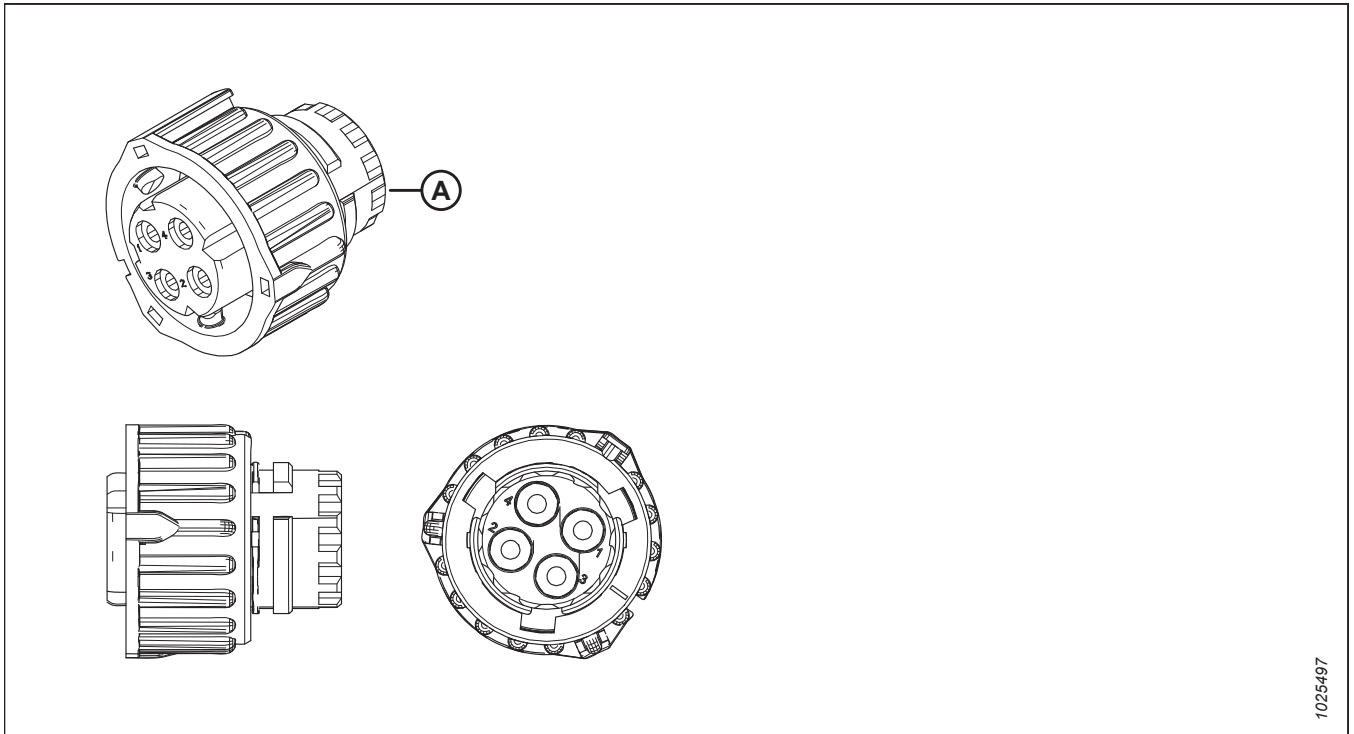


1020196

	MacDon Part #	Description	Manufacturer	Series	Manufacturer Part #
A		Connector – Receptacle	Delphi		12052623
		Terminal	Delphi		12020125
		Mating Connector		12015664	
		Extraction Tool			
		Crimp Tool			

FOUR-POSITION CONNECTORS

5.15

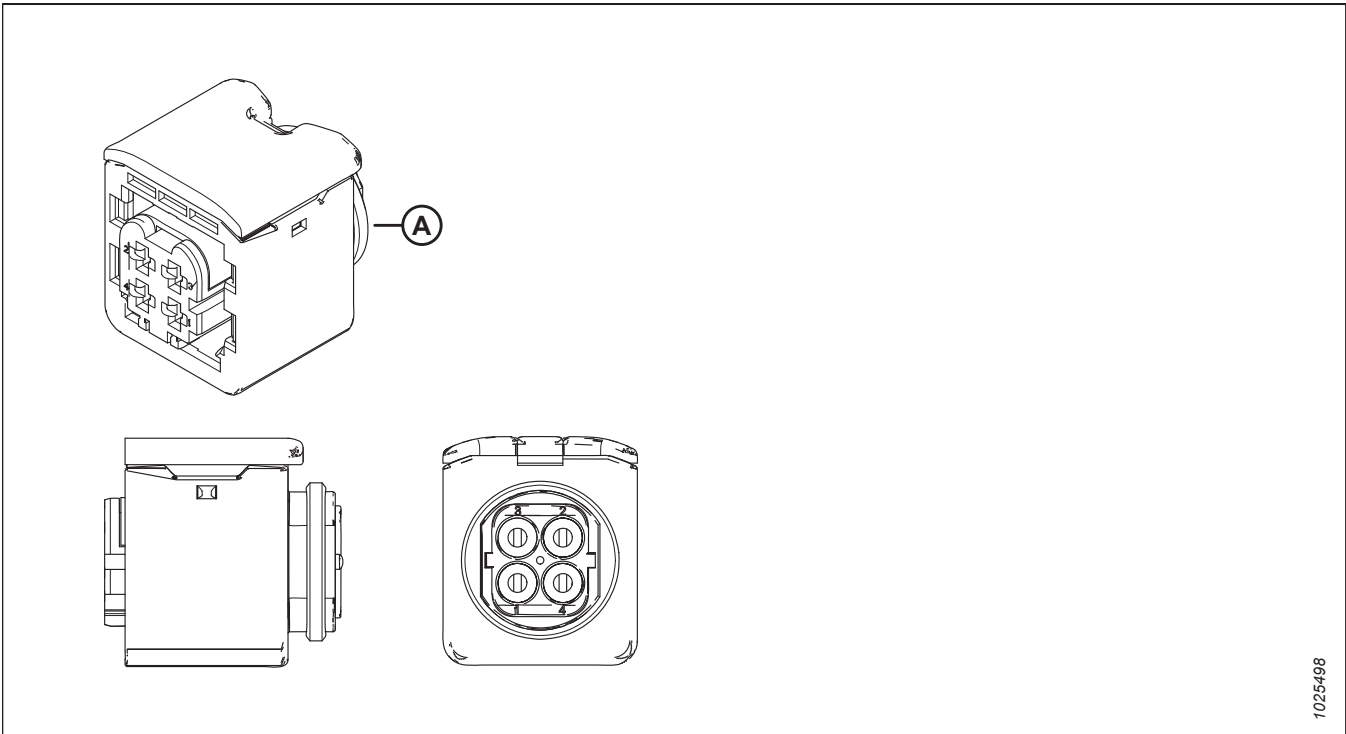


1025497

	MacDon Part #	Description	Manufacturer	Series	Manufacturer Part #
A		Connector – Plug	Tyco		1-967325-1
		Terminal			929974, 929975, 962981
		Lock			
		Secondary Lock			
		Seal			
		Mating Connector		1-967402-1, 1703780-1	
		Extraction Tool			
		Crimp Tool			
		Cavity Plug			
		Boots/Caps			

FOUR-POSITION CONNECTORS

5.16

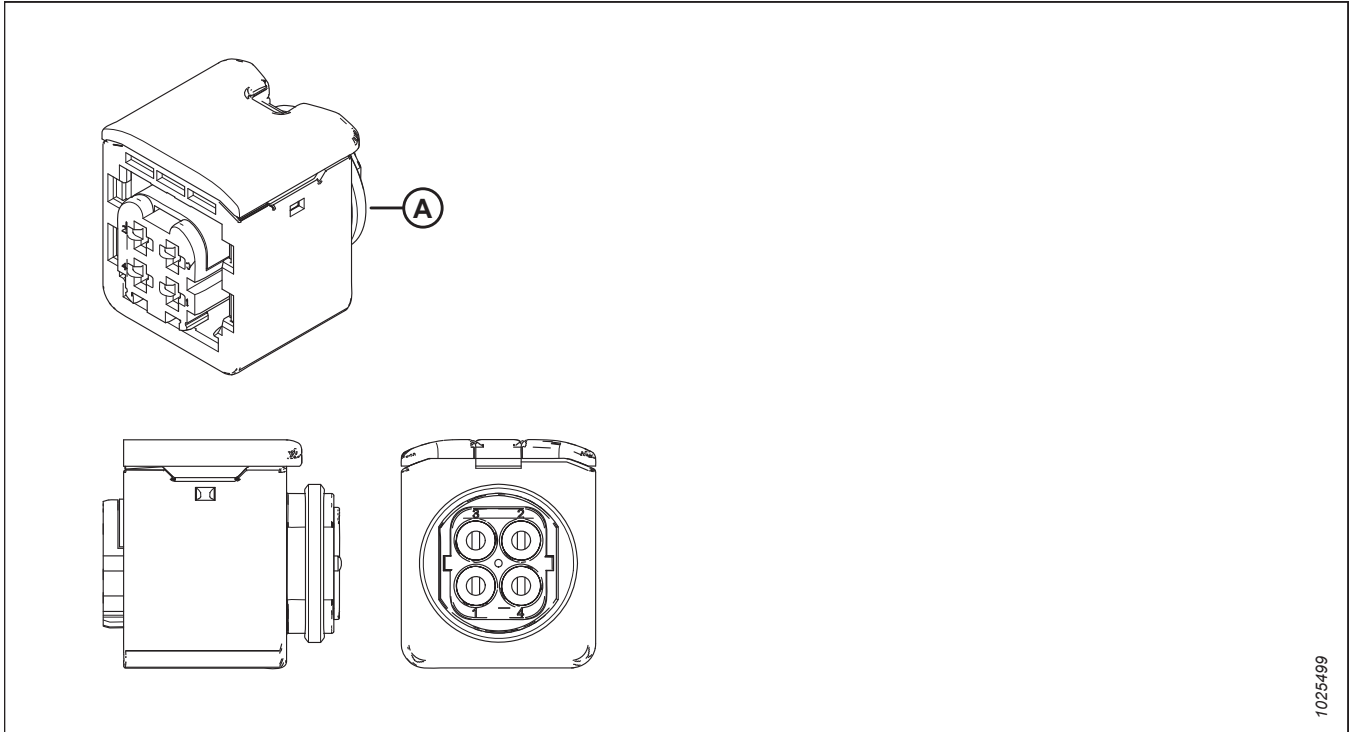


1025498

	MacDon Part #	Description	Manufacturer	Series	Manufacturer Part #
A		Connector – Plug	Tyco	HDSCS	1-1418390-1
		Terminal			
		Lock			
		Secondary Lock			
		Seal			
		Mating Connector	1-1703818-1, 1-1703808-1		
		Extraction Tool			
		Crimp Tool			
		Cavity Plug			
		Boots/Caps			

FOUR-POSITION CONNECTORS

5.17

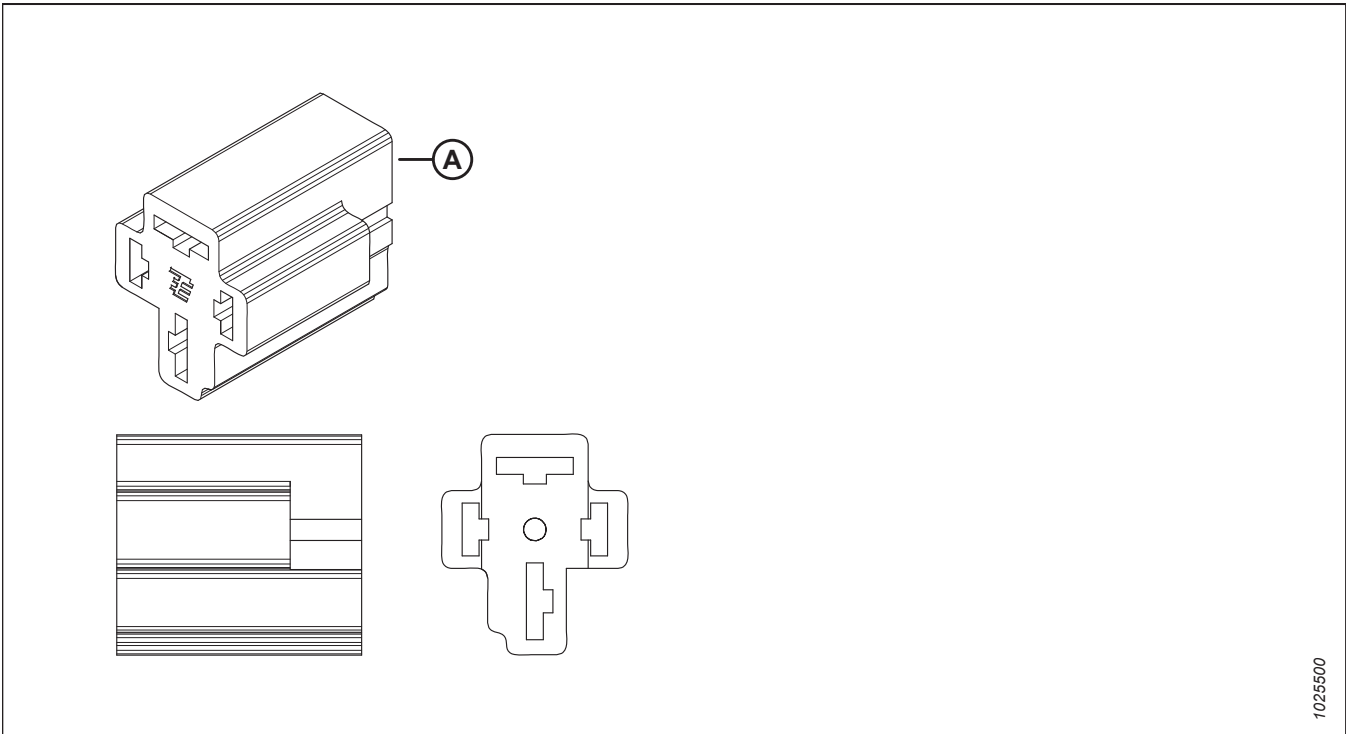


1025499

	MacDon Part #	Description	Manufacturer	Series	Manufacturer Part #
A		Connector – Plug	Tyco	HDSCS	2-1418390-1
		Terminal			
		Lock			
		Secondary Lock			
		Seal			
		Mating Connector			
		Extraction Tool			
		Crimp Tool			
		Cavity Plug			
		Boots/Caps			

FOUR-POSITION CONNECTORS

5.18

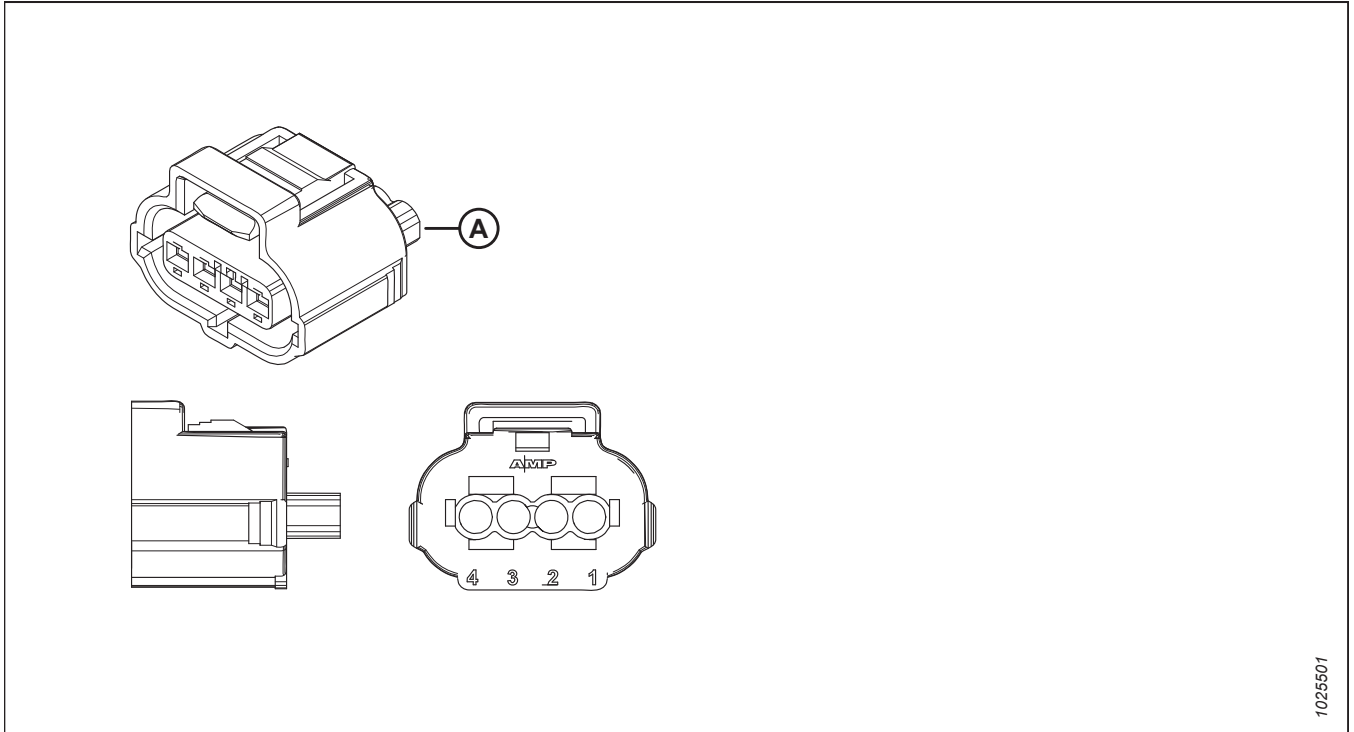


1025500

	MacDon Part #	Description	Manufacturer	Series	Manufacturer Part #
A		Connector – Relay Socket	Tyco		1393310-4
		Terminal			42281-1, 280756-4
		Lock			
		Secondary Lock			
		Seal			
		Mating Connector			
		Extraction Tool			
		Crimp Tool			
		Cavity Plug			
		Boots/Caps			

FOUR-POSITION CONNECTORS

5.19

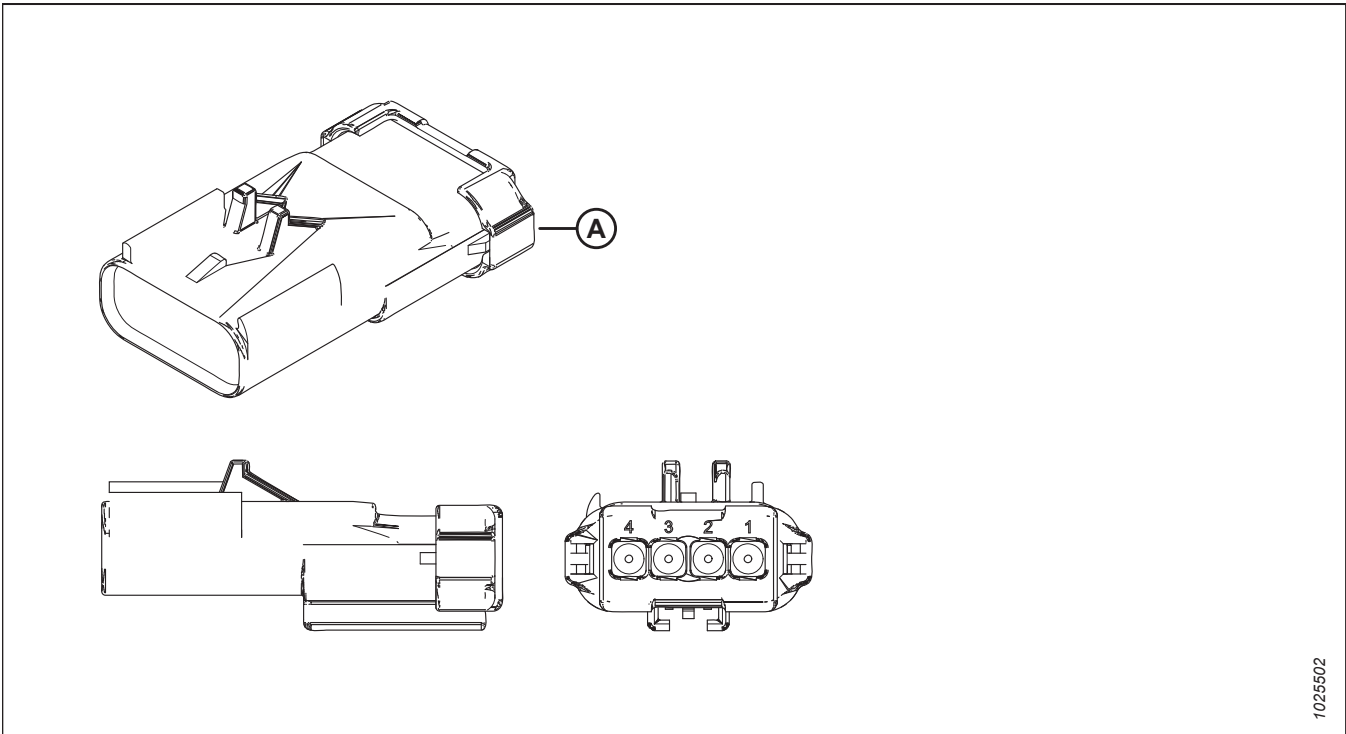


1025501

	MacDon Part #	Description	Manufacturer	Series	Manufacturer Part #
A		Connector – Plug	Tyco		184046-1
		Terminal			
		Lock			
		Secondary Lock			
		Seal			
		Mating Connector			
		Extraction Tool			
		Crimp Tool			
		Cavity Plug			
		Boots/Caps			

FOUR-POSITION CONNECTORS

5.20

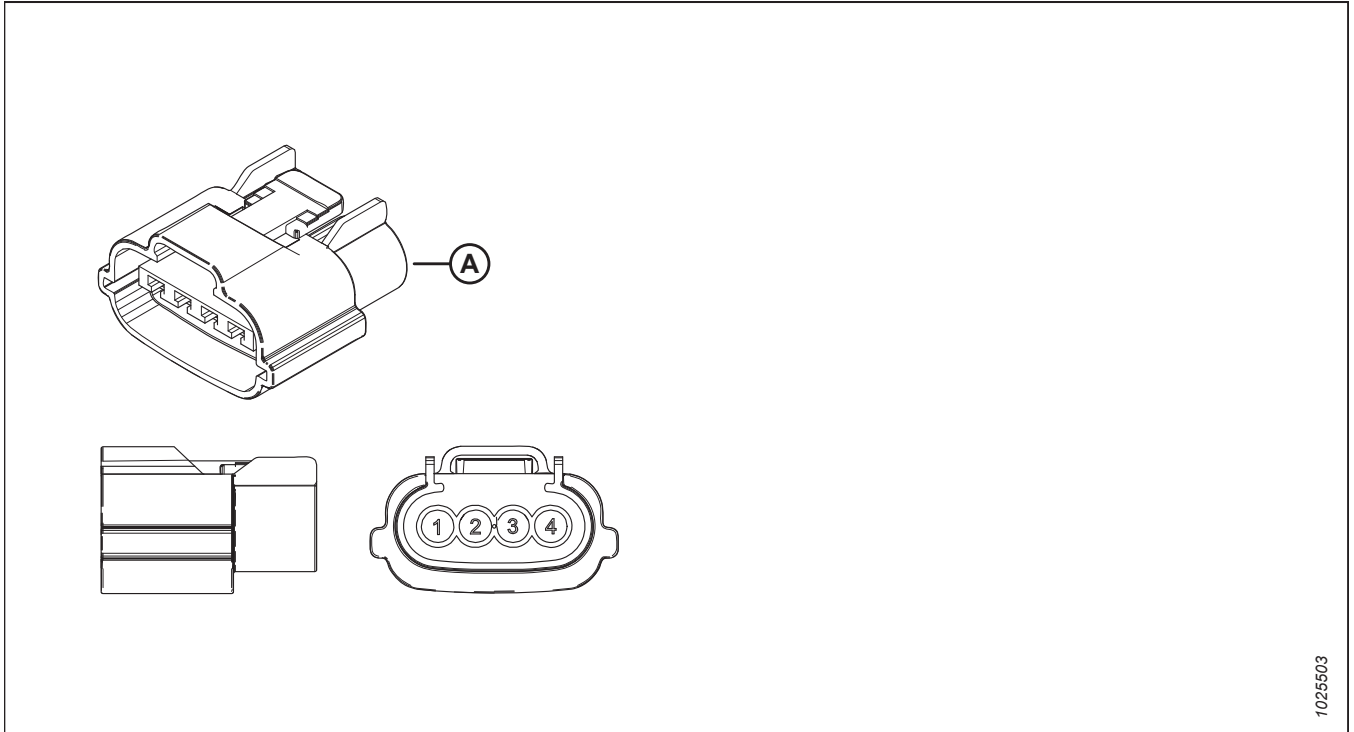


1025502

	MacDon Part #	Description	Manufacturer	Series	Manufacturer Part #
A		Connector – Receptacle	Delphi		54200415
		Terminal			54001001, 54001027, 54001301, 54001401, 54001441, 54001801, 54001818, 54001819, 54002201, 54002228, 54002229, 54002230
		Lock			
		Secondary Lock			
		Seal			
		Mating Connector			
		Extraction Tool			
		Crimp Tool			
		Cavity Plug			
		Boots/Caps			

FOUR-POSITION CONNECTORS

5.21

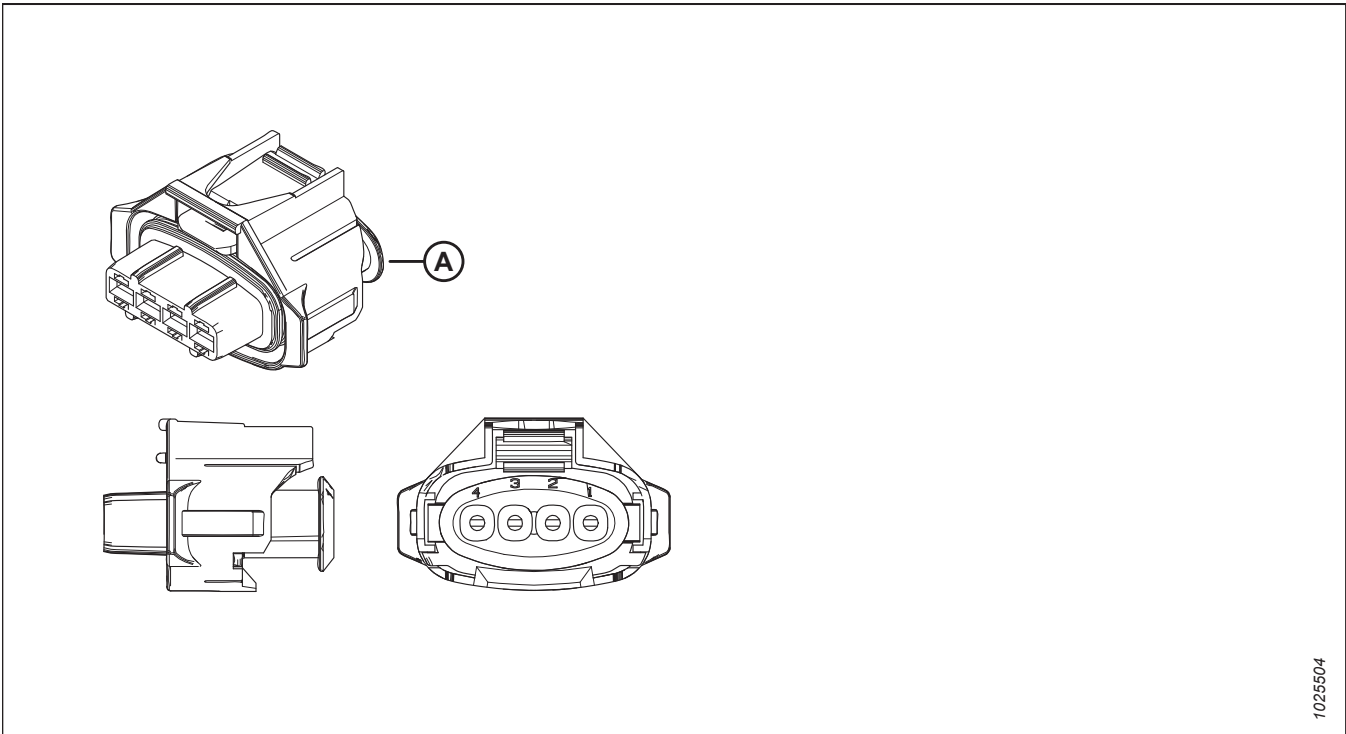


1025503

	MacDon Part #	Description	Manufacturer	Series	Manufacturer Part #
A		Connector – Plug	Sumitomo		6098-0144
		Terminal			
		Lock			
		Secondary Lock			
		Seal			
		Mating Connector			
		Extraction Tool			
		Crimp Tool			
		Cavity Plug			
		Boots/Caps			

FOUR-POSITION CONNECTORS

5.22

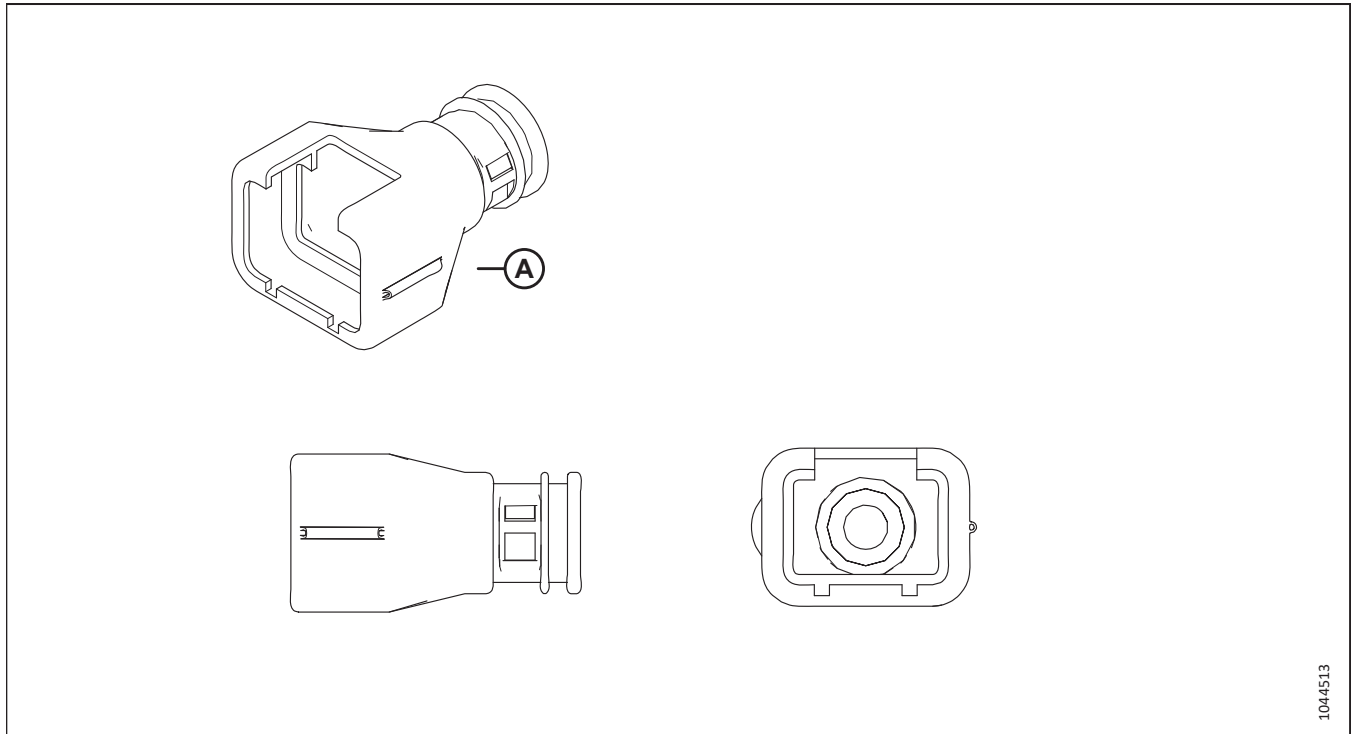


1025504

	MacDon Part #	Description	Manufacturer	Series	Manufacturer Part #
A		Connector – Plug	Bosch		192840373
		Terminal			1928498054, 1928498056, 1928498057, 1928498062
		Lock			
		Secondary Lock			
		Seal			1928300599, 1928300600, 1928300601
		Mating Connector			
		Extraction Tool	134312 Extraction Tool for Bosch BDK / BSK 2.8		
		Crimp Tool			
		Cavity Plug			
		Boots/Caps			

FOUR-POSITION CONNECTORS

5.23

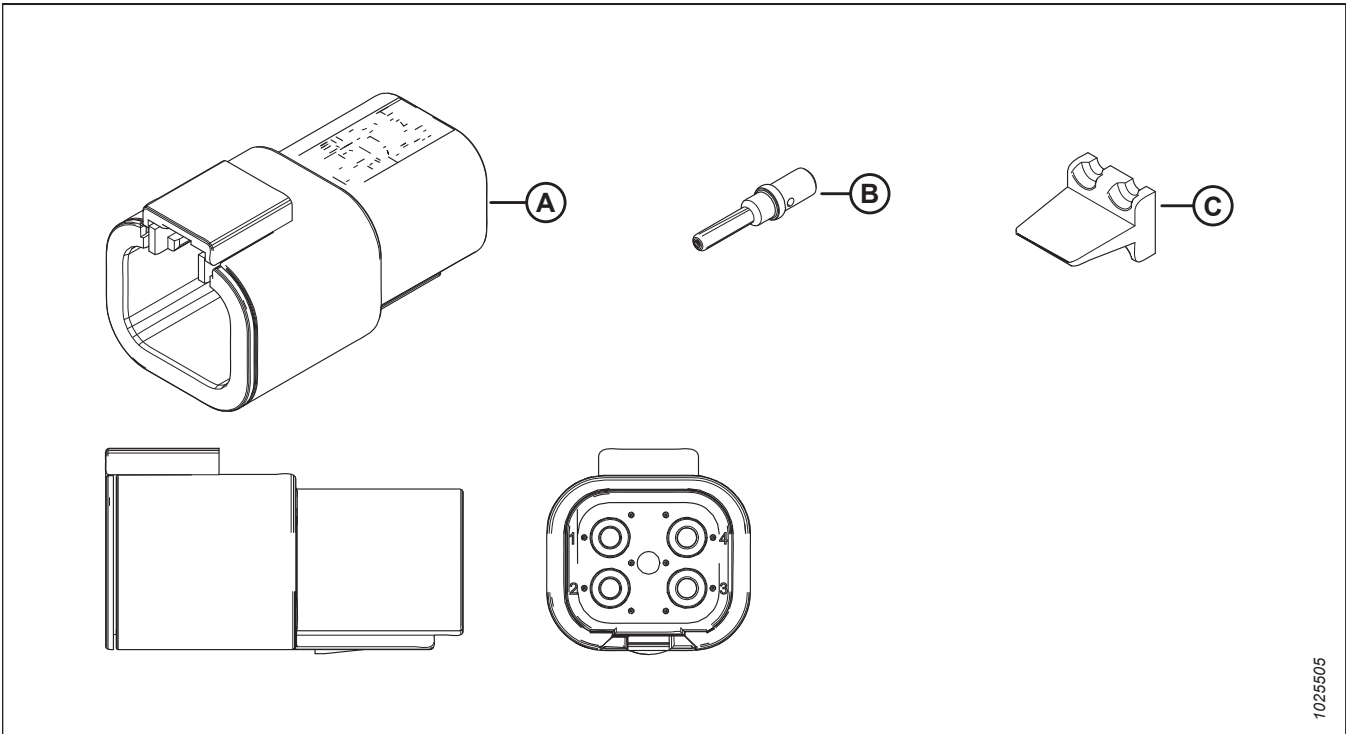


1044513

	MacDon Part #	Description	Manufacturer	Series	Manufacturer Part #
A	134593	Connector – Receptacle	Tyco		2035047-3
		Terminal			
		Lock			
		Secondary Lock			
		Seal			
		Mating Connector			
		Extraction Tool			
		Crimp Tool			
		Cavity Plug			
		Boots/Caps			

FOUR-POSITION CONNECTORS

5.24

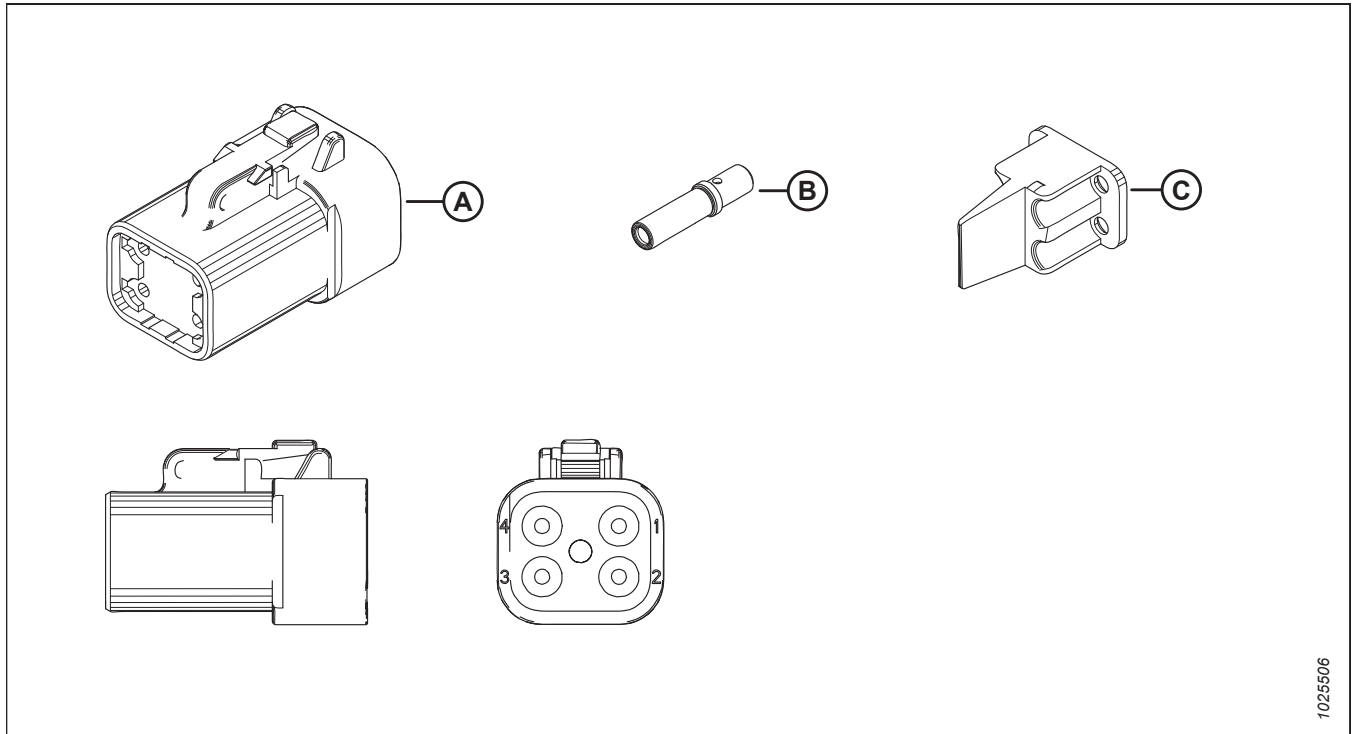


1025505

	MacDon Part #	Description	Manufacturer	Series	Manufacturer Part #
A		Connector – Receptacle	Deutsch	DTP	DTP04-4P-E004
B	134027	Terminal – Pin		Size 12	0460-204-12141 (nickel), 0460-220-1231 (gold)
C		Lock			WP-4P
		Secondary Lock			
		Seal			
		Mating Connector	DTP06-4S-E004, DTP06-4S-EE01		
		Extraction Tool			
		Crimp Tool			
		Cavity Plug			
		Boots/Caps	DTP4P-BT		

FOUR-POSITION CONNECTORS

5.25

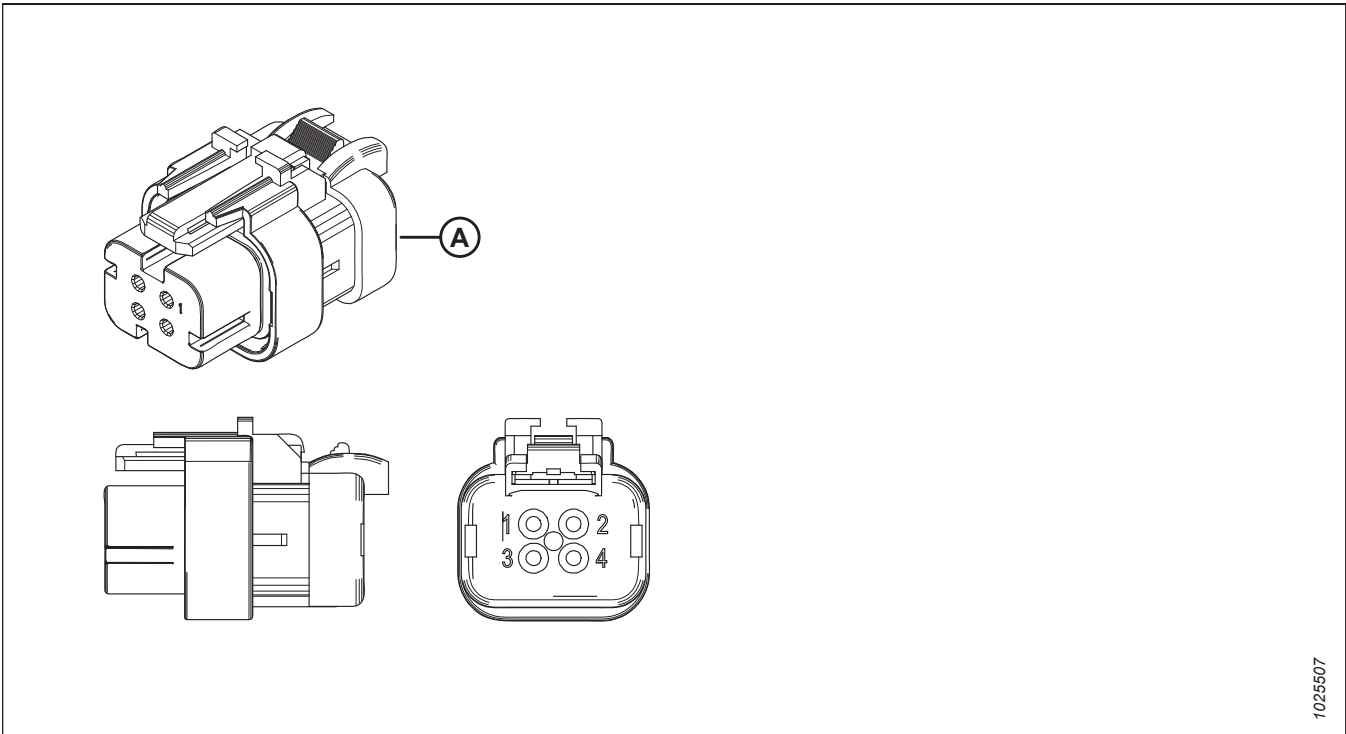


1025506

	MacDon Part #	Description	Manufacturer	Series	Manufacturer Part #
A		Connector – Plug	Deutsch	DTP	DTP06-4S-E004
B		Terminal			0462-203-12141 (nickel), 0462-210-1231 (gold)
C		Lock			WP-4S
		Secondary Lock			
		Seal			
		Mating Connector	DTP04-4P-E004, DTP13-4P, DTP15-4P		
		Extraction Tool			
		Crimp Tool			
		Cavity Plug			
		Boots/Caps	DTP4S-BT		

FOUR-POSITION CONNECTORS

5.26

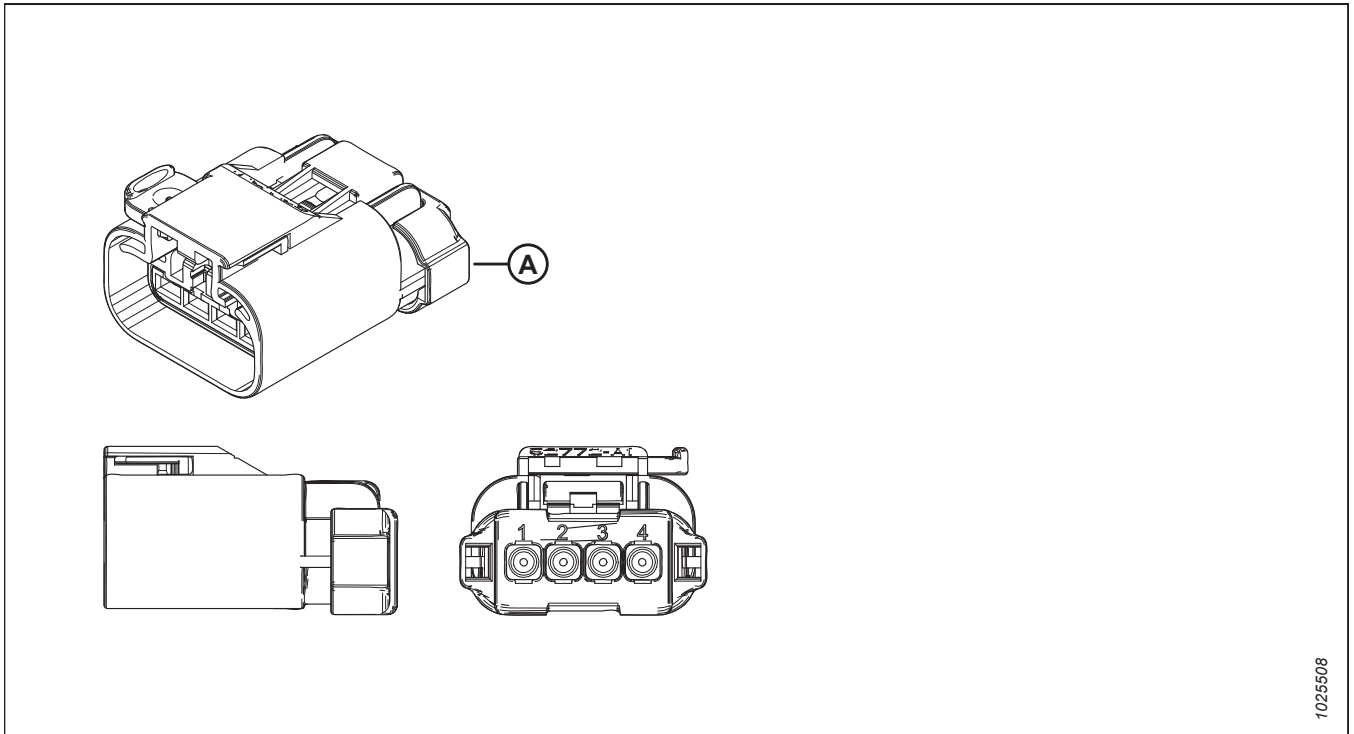


1025507

	MacDon Part #	Description	Manufacturer	Series	Manufacturer Part #
A		Connector – Plug (RED Insert)	Tyco	Ampseal 16	776524-1
		Terminal			1924464-1, 924464-2, 776492-1, 776492-2
		Lock			
		Secondary Lock			
		Seal			
		Mating Connector		776536-1	
		Extraction Tool		776441-1	
		Crimp Tool			
		Cavity Plug			
		Boots/Caps			

FOUR-POSITION CONNECTORS

5.27

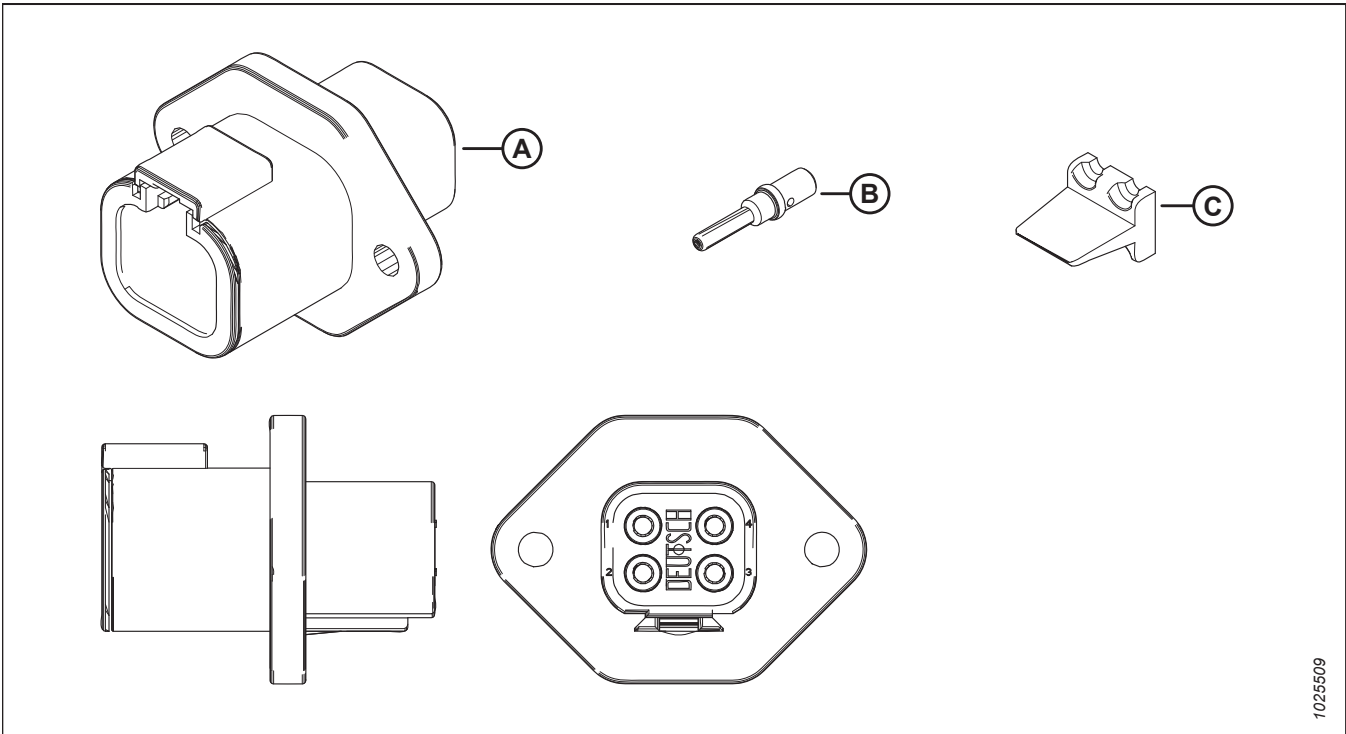


1025508

	MacDon Part #	Description	Manufacturer	Series	Manufacturer Part #
A		Connector – Plug	Delphi		54200411
		Terminal			
		Lock			
		Secondary Lock			
		Seal			
		Mating Connector			
		Extraction Tool			
		Crimp Tool			
		Cavity Plug			
		Boots/Caps			

FOUR-POSITION CONNECTORS

5.28

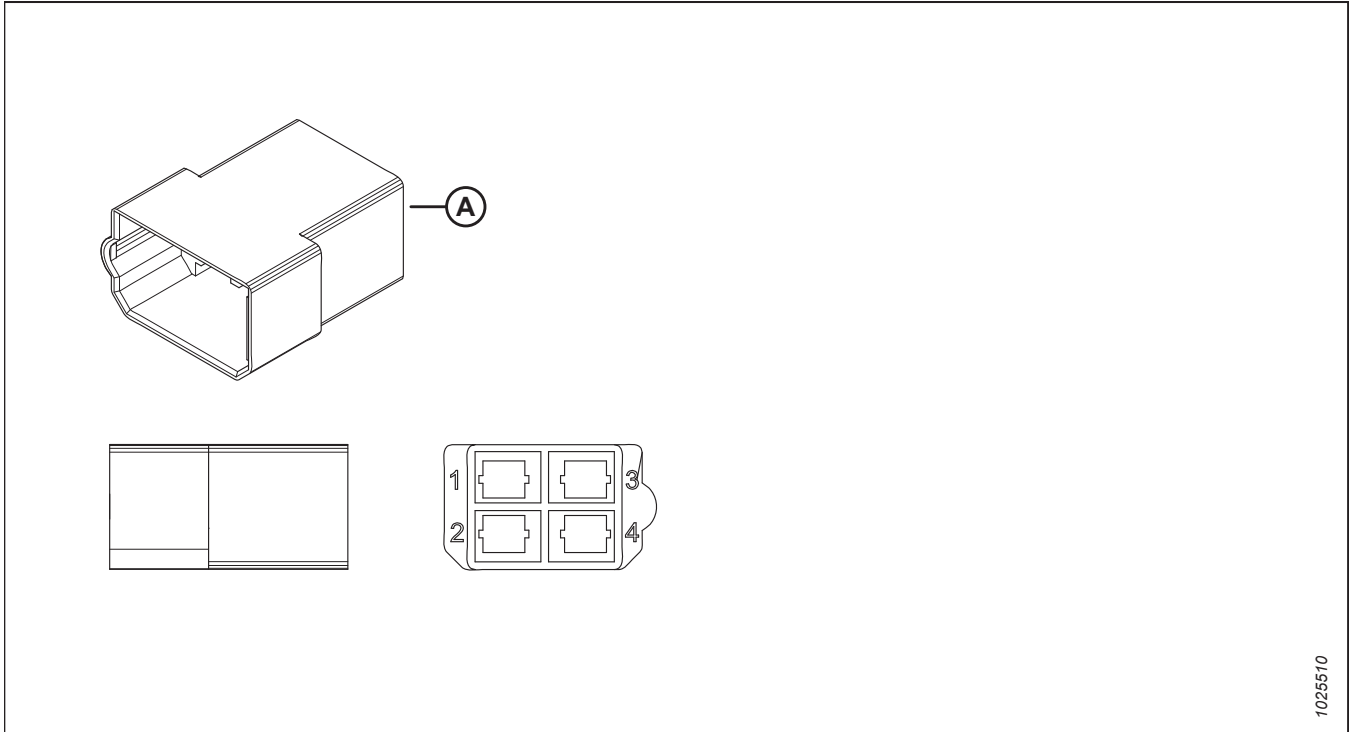


1025509

	MacDon Part #	Description	Manufacturer	Series	Manufacturer Part #
A		Connector – Receptacle	Deutsch	DTP	DTP04-4P-L012
B	134024	Terminal – Pin		Size 12	0460-204-12141 (nickel), 0460-220-1231 (gold)
C		Lock			WP-4P
		Secondary Lock			
		Seal			
		Mating Connector			
		Extraction Tool			
		Crimp Tool			
		Cavity Plug			
		Boots/Caps			

FOUR-POSITION CONNECTORS

5.29

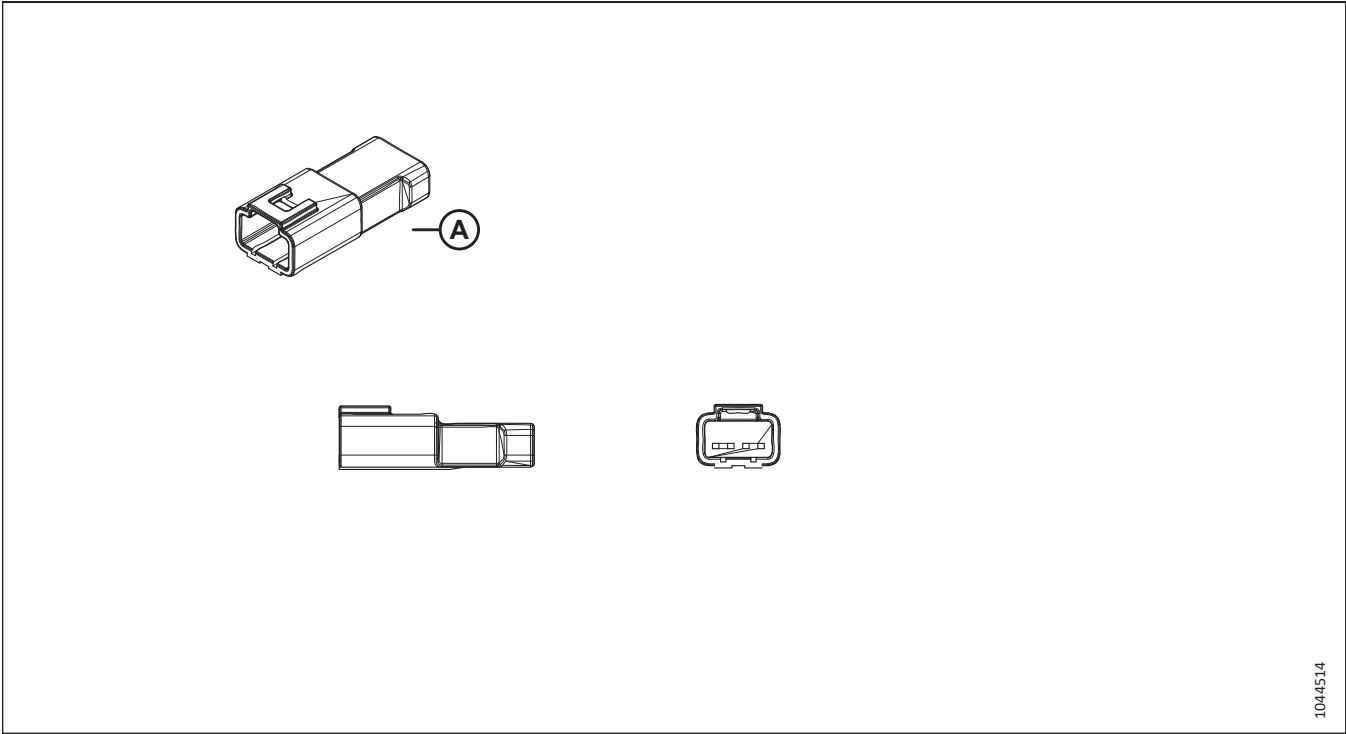


1025510

	MacDon Part #	Description	Manufacturer	Series	Manufacturer Part #
A		Connector – Receptacle	Tyco		180901-0
		Terminal			
		Lock			
		Secondary Lock			
		Seal			
		Mating Connector			
		Extraction Tool			
		Crimp Tool			
		Cavity Plug			
		Boots/Caps			

FOUR-POSITION CONNECTORS

5.30

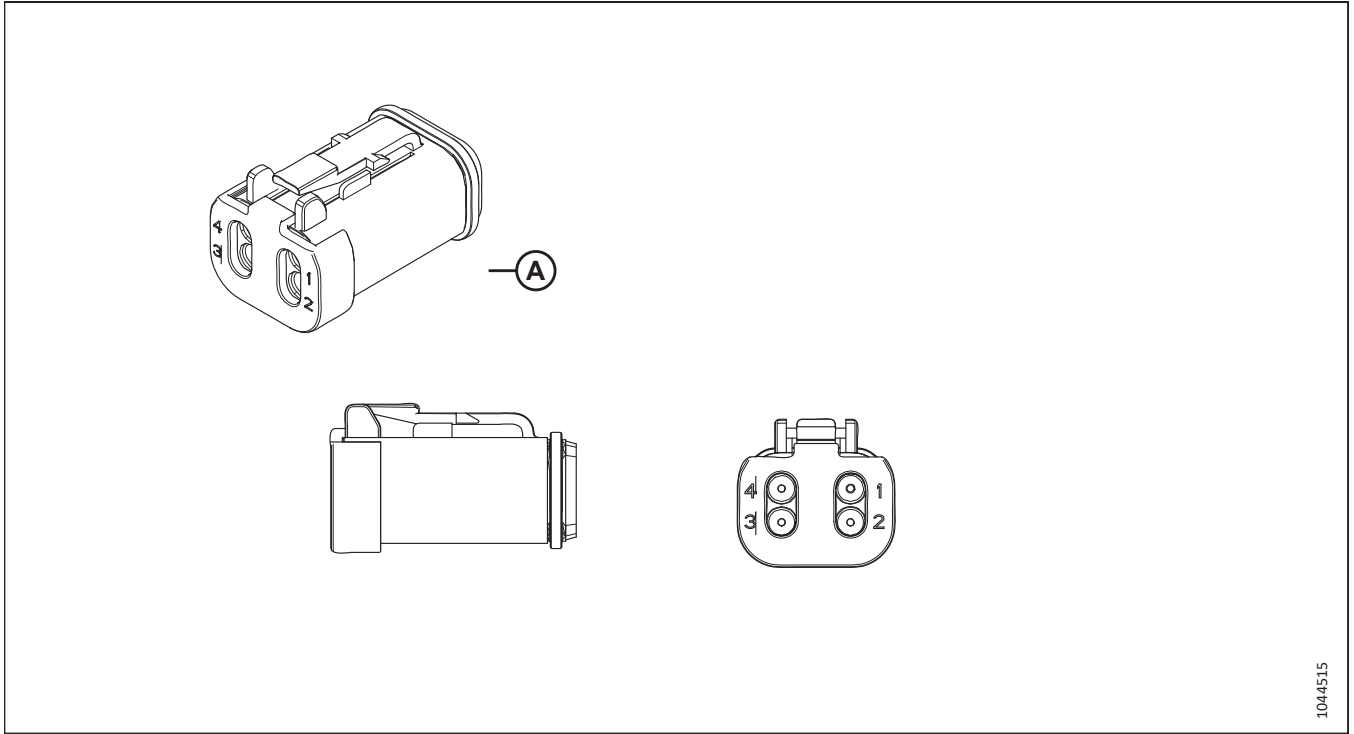


1044514

	MacDon Part #	Description	Manufacturer	Series	Manufacturer Part #
A		Connector – Receptacle	JST		04T-JWPF-VSLE-S
		Terminal			
		Lock			
		Secondary Lock			
		Seal			
		Mating Connector			
		Extraction Tool			
		Crimp Tool			
		Cavity Plug			
		Boots/Caps			

FOUR-POSITION CONNECTORS

5.31

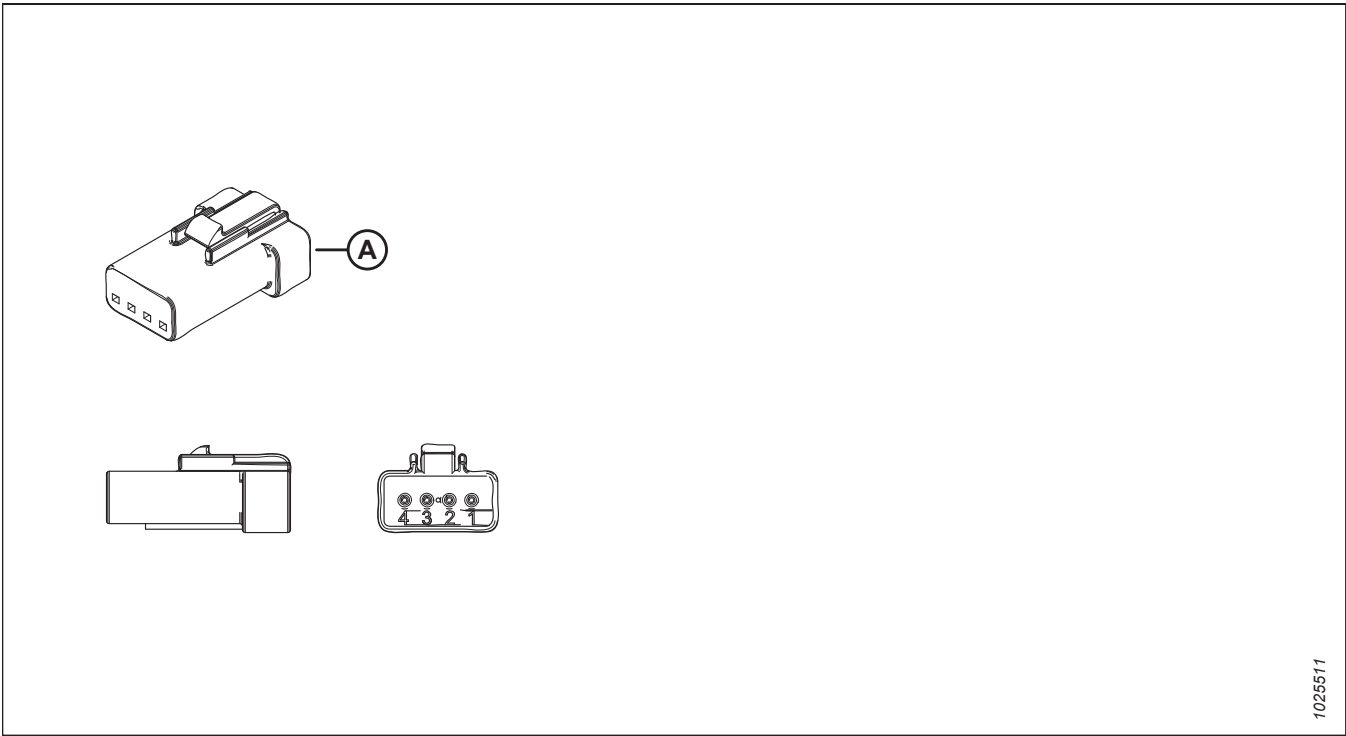


1044515

	MacDon Part #	Description	Manufacturer	Series	Manufacturer Part #
A	134947	Connector – Receptacle	Deutsch	DT	DT06-4S-CE05
		Terminal			
		Lock			
		Mating Connector			
		Extraction Tool			
		Crimp Tool			

FOUR-POSITION CONNECTORS

5.32

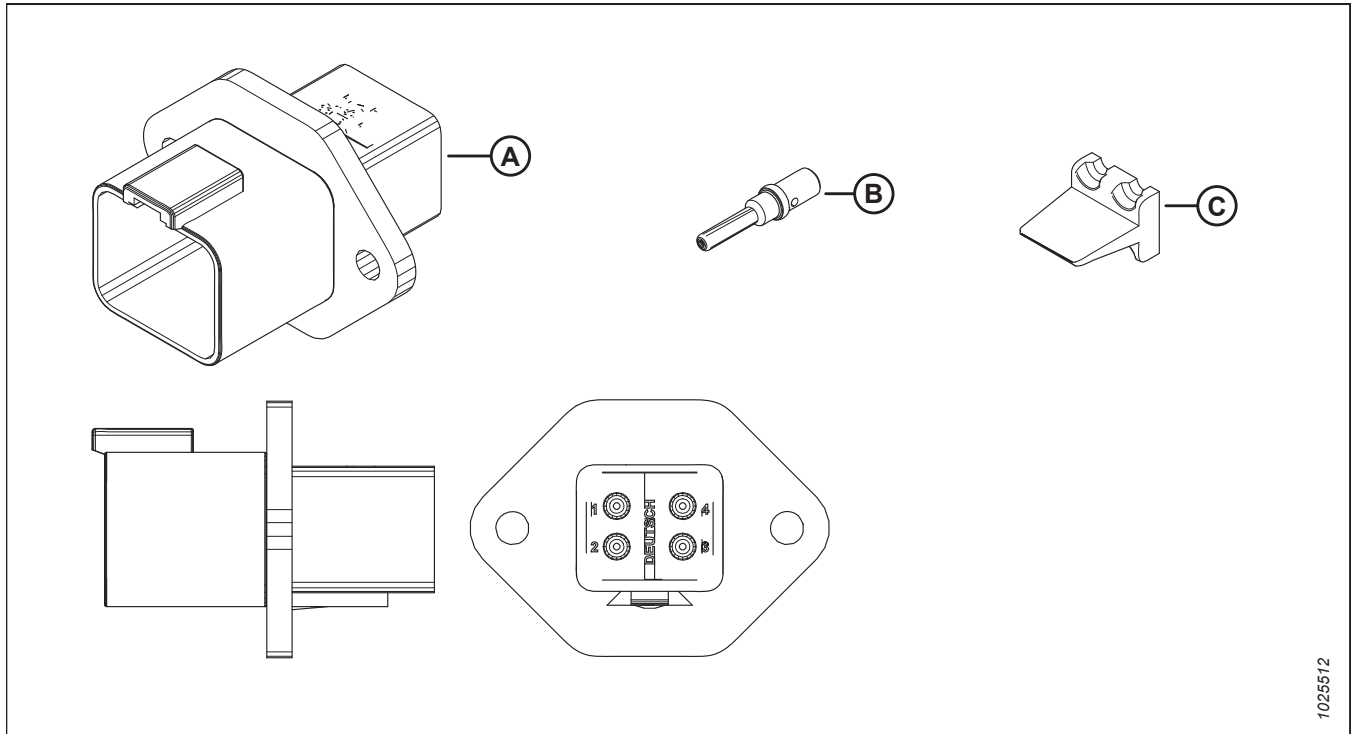


1025511

	MacDon Part #	Description	Manufacturer	Series	Manufacturer Part #
A		Connector – Plug	JST		04R-JWPF-VSLE-S
		Terminal			
		Lock			
		Secondary Lock			
		Seal			
		Mating Connector			
		Extraction Tool			
		Crimp Tool			
		Cavity Plug			
		Boots/Caps			

FOUR-POSITION CONNECTORS

5.33

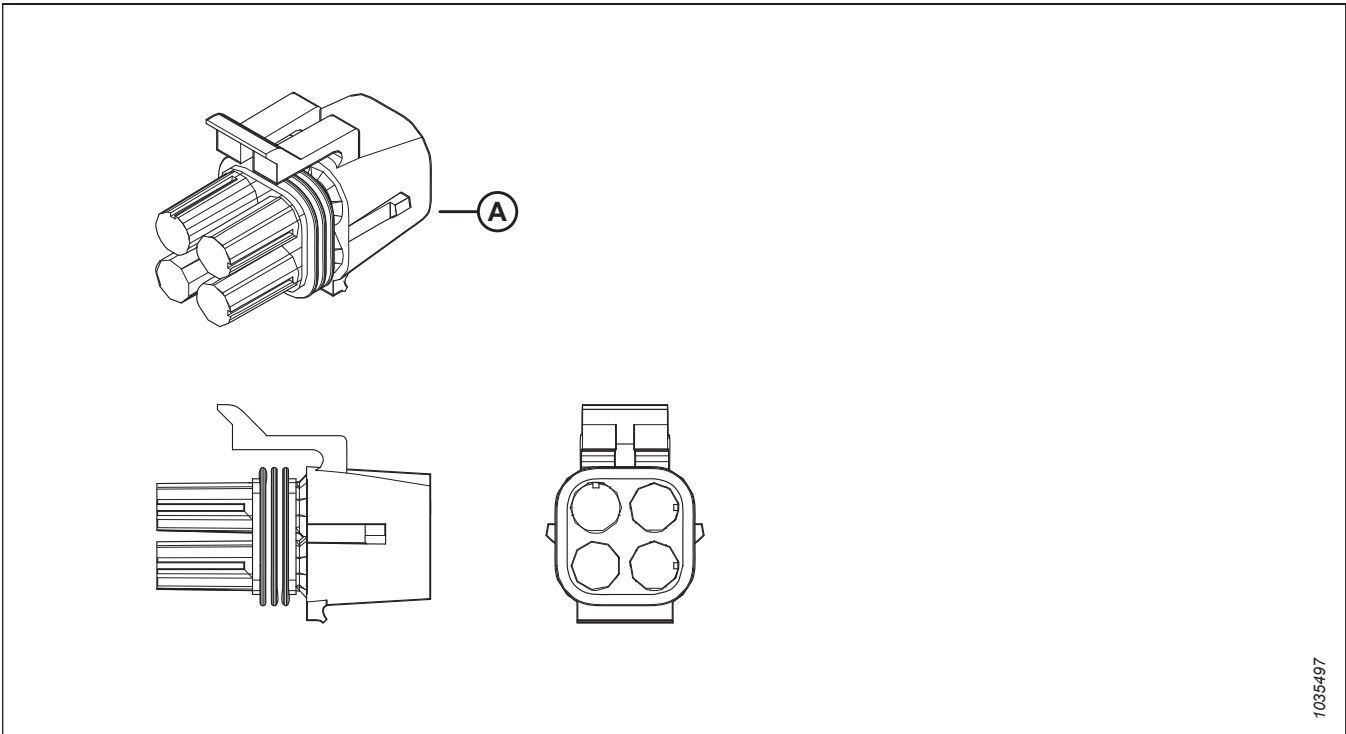


1025512

	MacDon Part #	Description	Manufacturer	Series	Manufacturer Part #
A		Connector – Bulkhead	Deutsch	DTP	DTP04-4P
B	134024	Terminal – Pin		Size 12	0460-204-12141 (nickel), 0460-220-1231 (gold)
C		Lock			WP-4P
		Secondary Lock			
		Seal			
		Mating Connector			
		Extraction Tool			
		Crimp Tool			
		Cavity Plug			
		Boots/Caps			

FOUR-POSITION CONNECTORS

5.34

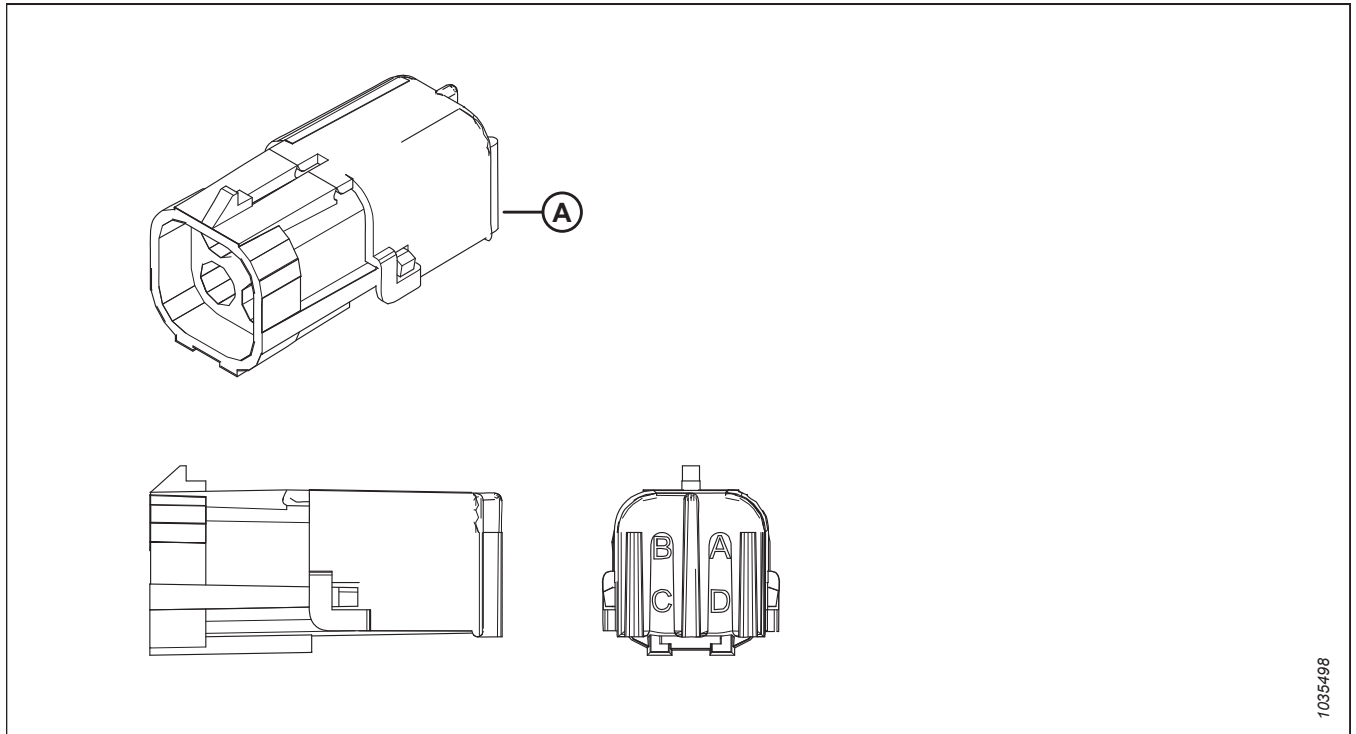


1035497

	MacDon Part #	Description	Manufacturer	Series	Manufacturer Part #
A		Connector – Plug	Delphi	Weather Pack	12015798
B		Terminal			
		Lock			
		Secondary Lock			
		Seal			
		Mating Connector			
		Extraction Tool			
		Crimp Tool			
		Cavity Plug			
		Boots/Caps			

FOUR-POSITION CONNECTORS

5.35

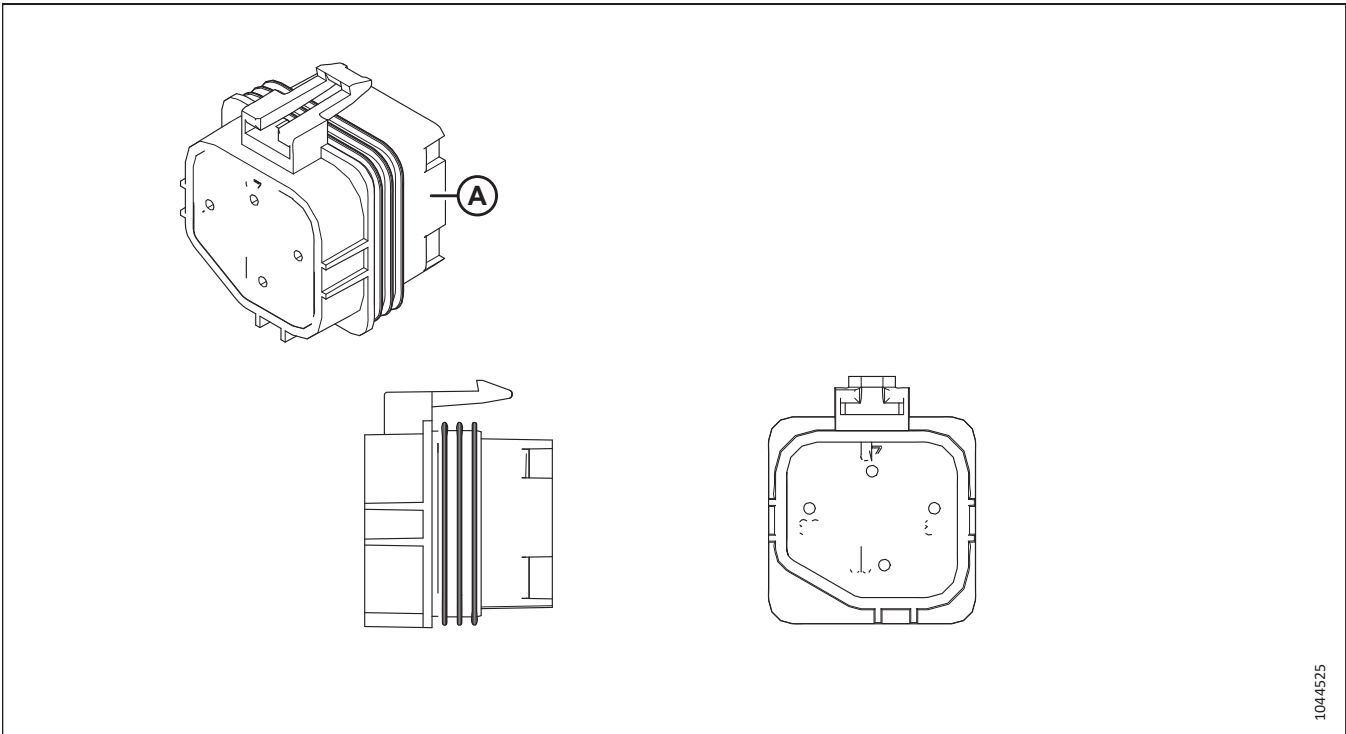


1035498

	MacDon Part #	Description	Manufacturer	Series	Manufacturer Part #
A		Connector – Receptacle	Delphi	Weather Pack	12015024
B		Terminal			
		Lock			
		Secondary Lock			
		Seal			
		Mating Connector			
		Extraction Tool			
		Crimp Tool			
		Cavity Plug			
		Boots/Caps			

FOUR-POSITION CONNECTORS

5.36

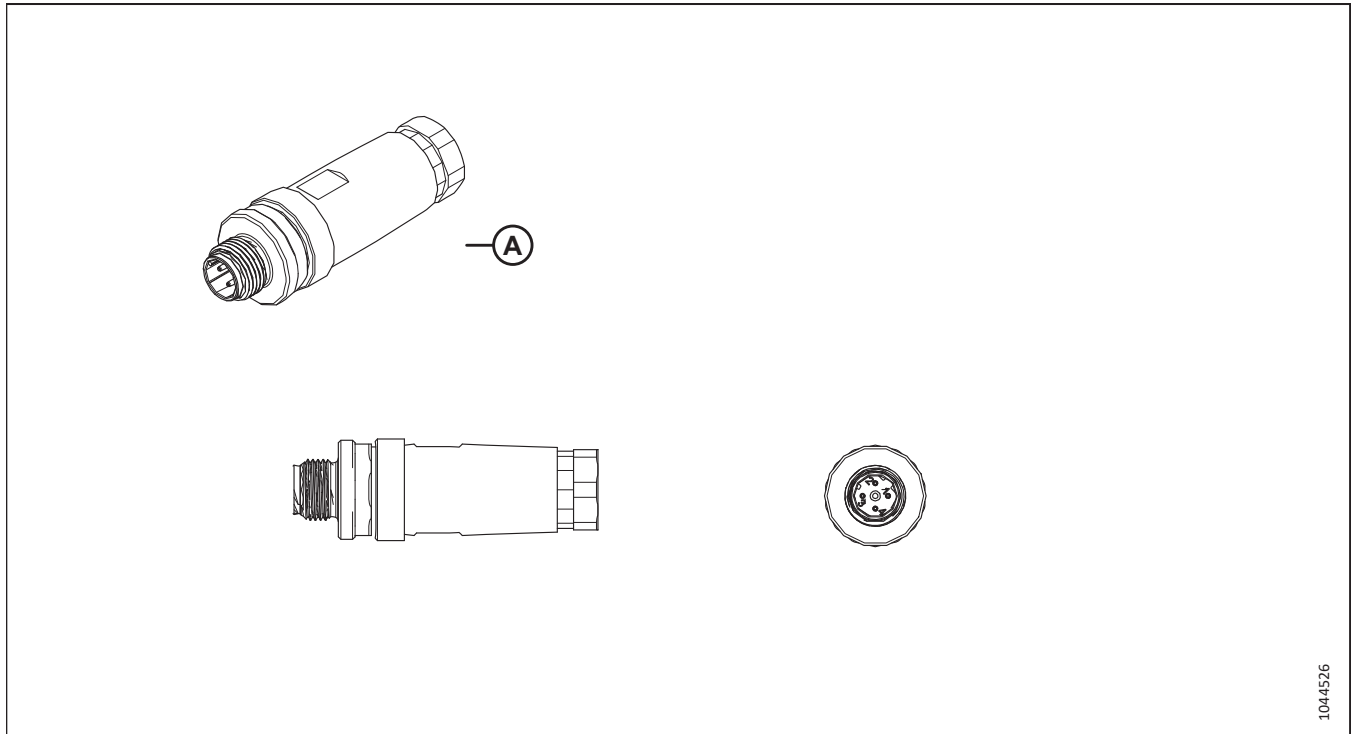


1044525

	MacDon Part #	Description	Manufacturer	Series	Manufacturer Part #
A		Connector – Plug	Delphi	Metri-Pack 630	12077951
		Terminal			
		Lock			
		Secondary Lock			
		Seal			
		Mating Connector			
		Extraction Tool			
		Crimp Tool			
		Cavity Plug			
		Boots/Caps			

FOUR-POSITION CONNECTORS

5.37

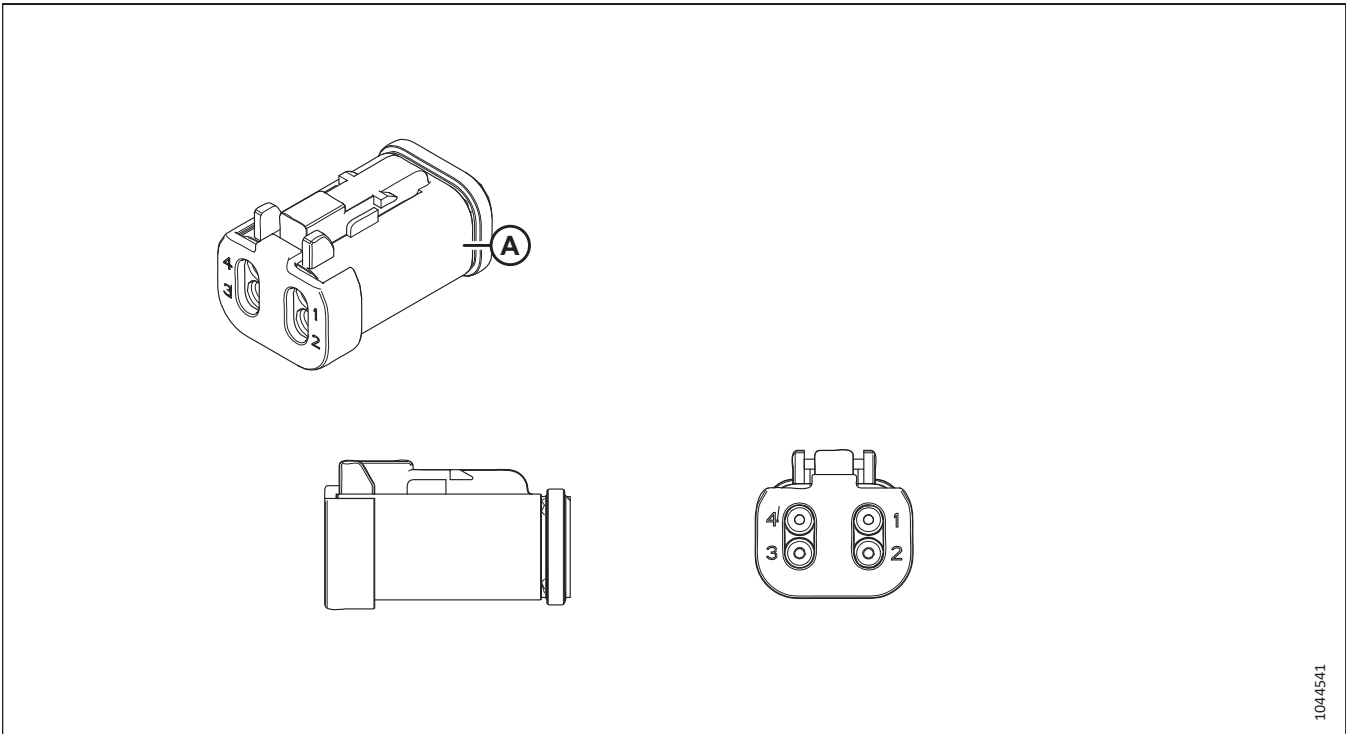


1044526

	MacDon Part #	Description	Manufacturer	Series	Manufacturer Part #
A		Connector – Plug	TE Connectivity	M12	T4111502041-000
		Terminal			
		Lock			
		Secondary Lock			
		Seal			
		Mating Connector			
		Extraction Tool			
		Crimp Tool			
		Cavity Plug			
		Boots/Caps			

FOUR-POSITION CONNECTORS

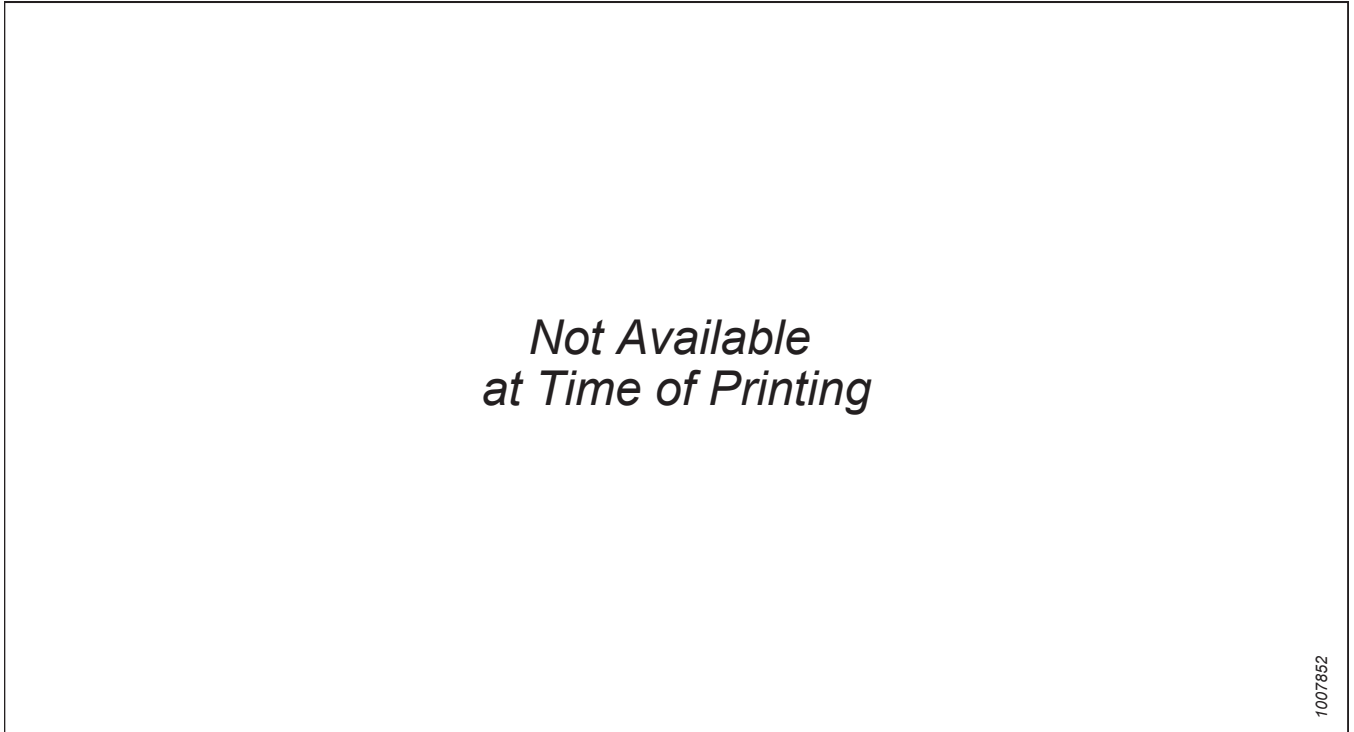
5.38



1044541

	MacDon Part #	Description	Manufacturer	Series	Manufacturer Part #
A		Connector – Plug	TE Connectivity	DT	DT06-4S-E005
		Terminal			
		Lock			
		Secondary Lock			
		Seal			
		Mating Connector			
		Extraction Tool			
		Crimp Tool			
		Cavity Plug			
		Boots/Caps			

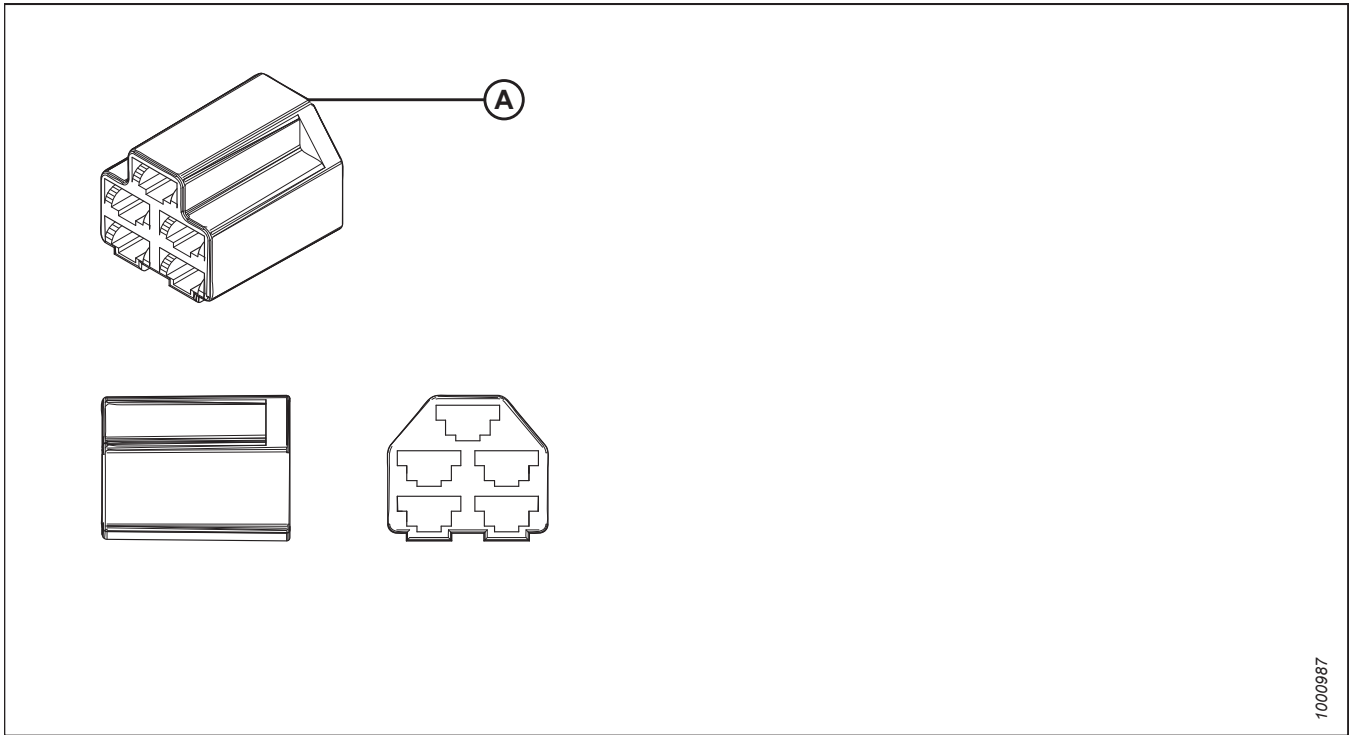
5.39



	MacDon Part #	Description	Manufacturer	Series	Manufacturer Part #
A		Connector – Plug	Ethernet		M12
		Terminal			
		Lock			
		Secondary Lock			
		Seal			
		Mating Connector			
		Extraction Tool			
		Crimp Tool			
		Cavity Plug			
		Boots/Caps			

Chapter 6: Five-Position Connectors

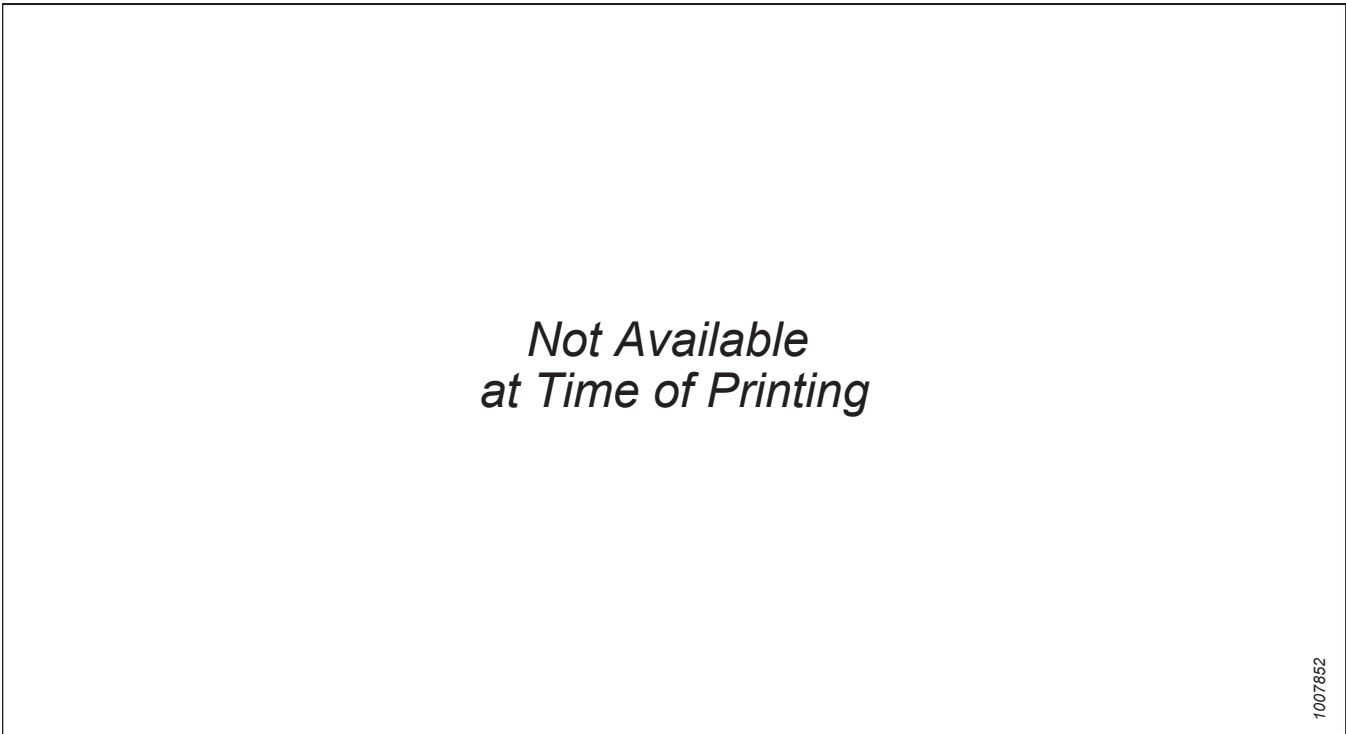
6.1



1000987

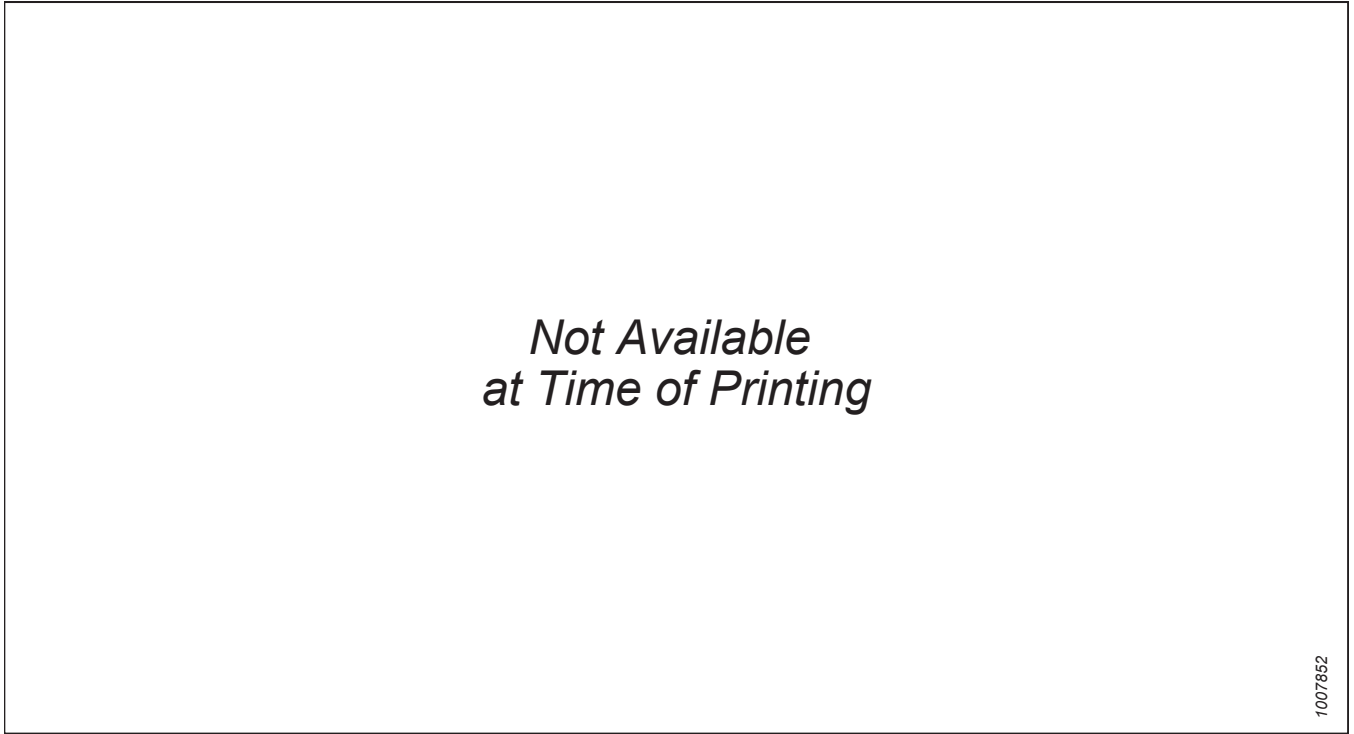
	MacDon Part #	Description	Manufacturer	Series	Manufacturer Part #
A		Connector – Receptacle	Delphi	56	2973422
		Terminal – Receptacle	Delphi	56	12124512 12124513 12124515 12124517 12124518
		Mating Connector			
	134159	Extraction Tool		12094430	
		Crimp Tool			

6.2



	MacDon Part #	Description	Manufacturer	Series	Manufacturer Part #
	134152	Connector – Plug	Fargo Assembly		C7SB14489-E
	134135	Terminal – Receptacle	Delphi	M/P 630	12015870
		Mating Connector			
	134159	Extraction Tool		12094430	
		Crimp Tool			

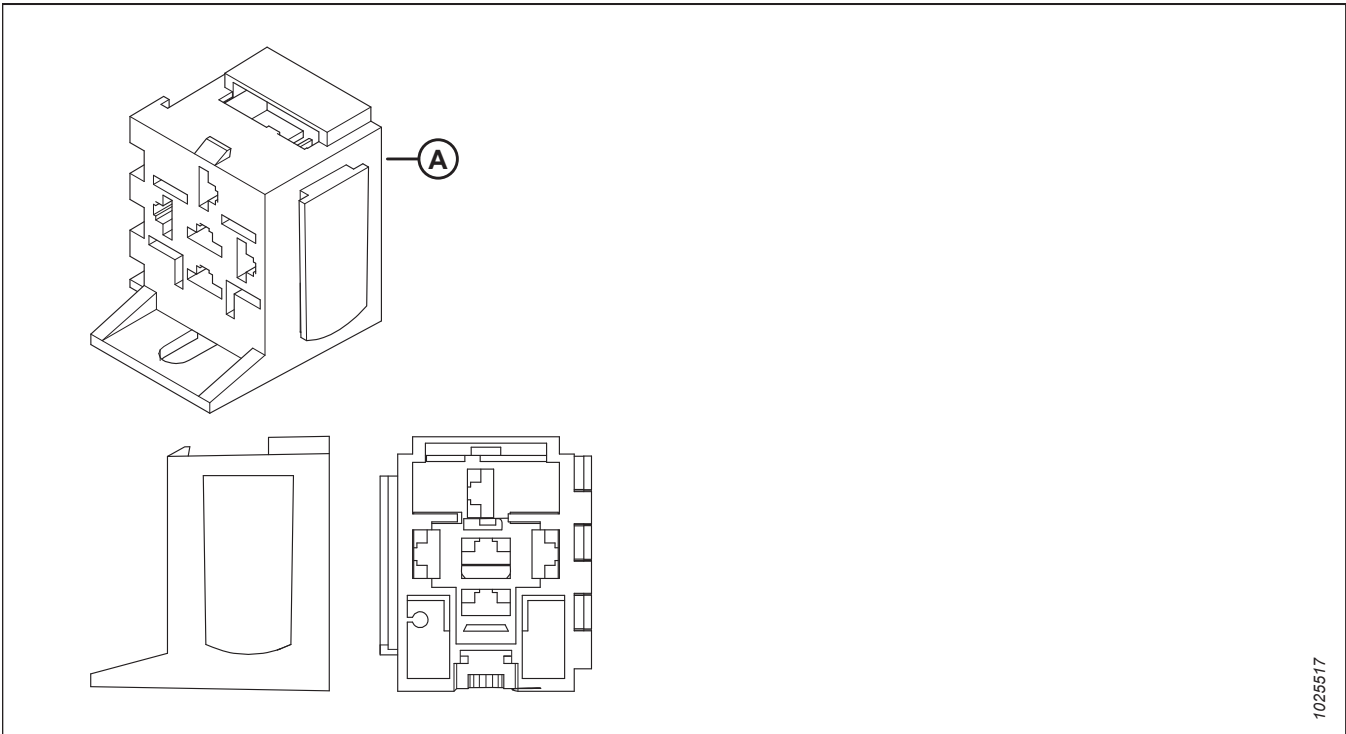
6.3



	MacDon Part #	Description	Manufacturer	Series	Manufacturer Part #
	134147	Connector – Plug	Fargo Assembly		CVS #C-2007
	134135	Terminal – Receptacle	Delphi	M/P 630	12015870
		Mating Connector			
	134159	Extraction Tool		12094430	
		Crimp Tool			

FIVE-POSITION CONNECTORS

6.4

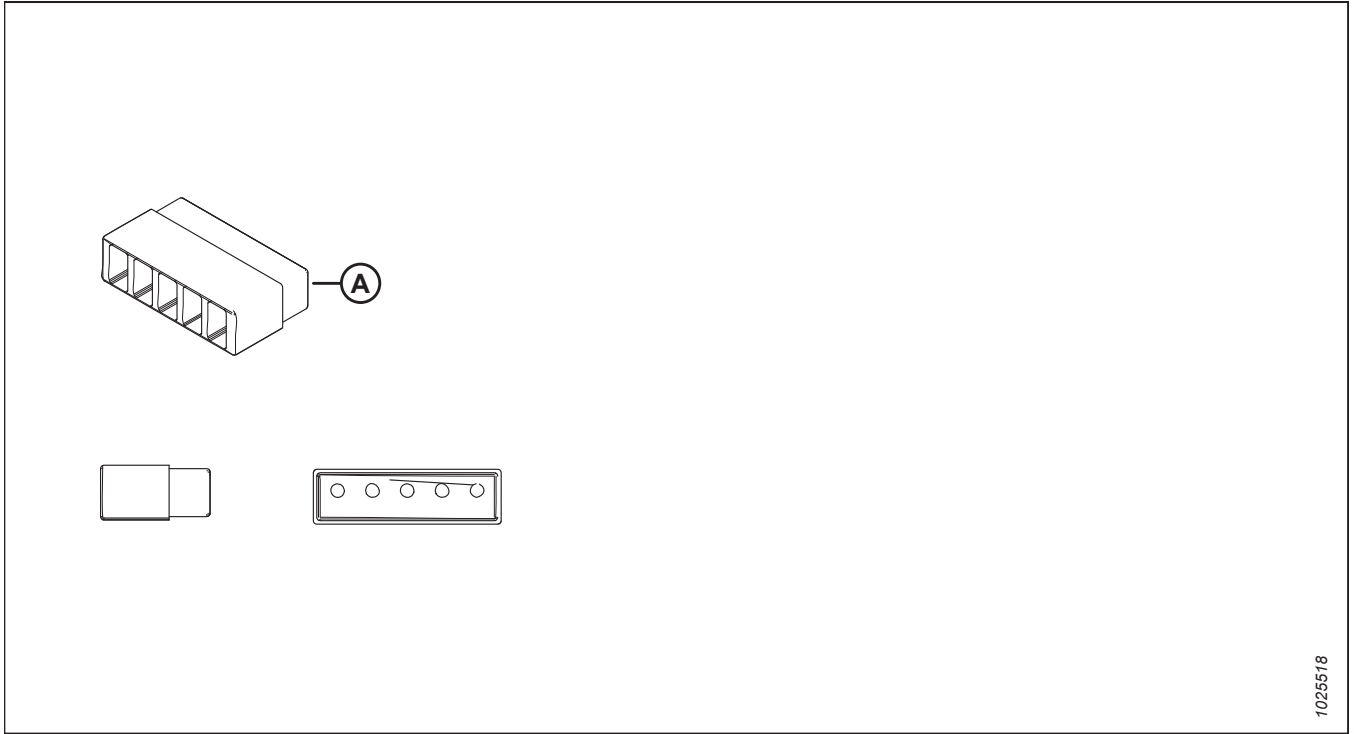


1025517

	MacDon Part #	Description	Manufacturer	Series	Manufacturer Part #
A		Connector – Relay Socket	Delphi	Metri-Pack 630	12033871
		Terminal			12015869, 12015870, 12033971, 12015864, 12015865, 12034001, 12124559, 12052225, 12052227, 12084588
		Lock			
		Secondary Lock			
		Seal			
		Mating Connector			
		Extraction Tool			
		Crimp Tool			
		Cavity Plug			
		Boots/Caps			

FIVE-POSITION CONNECTORS

6.5

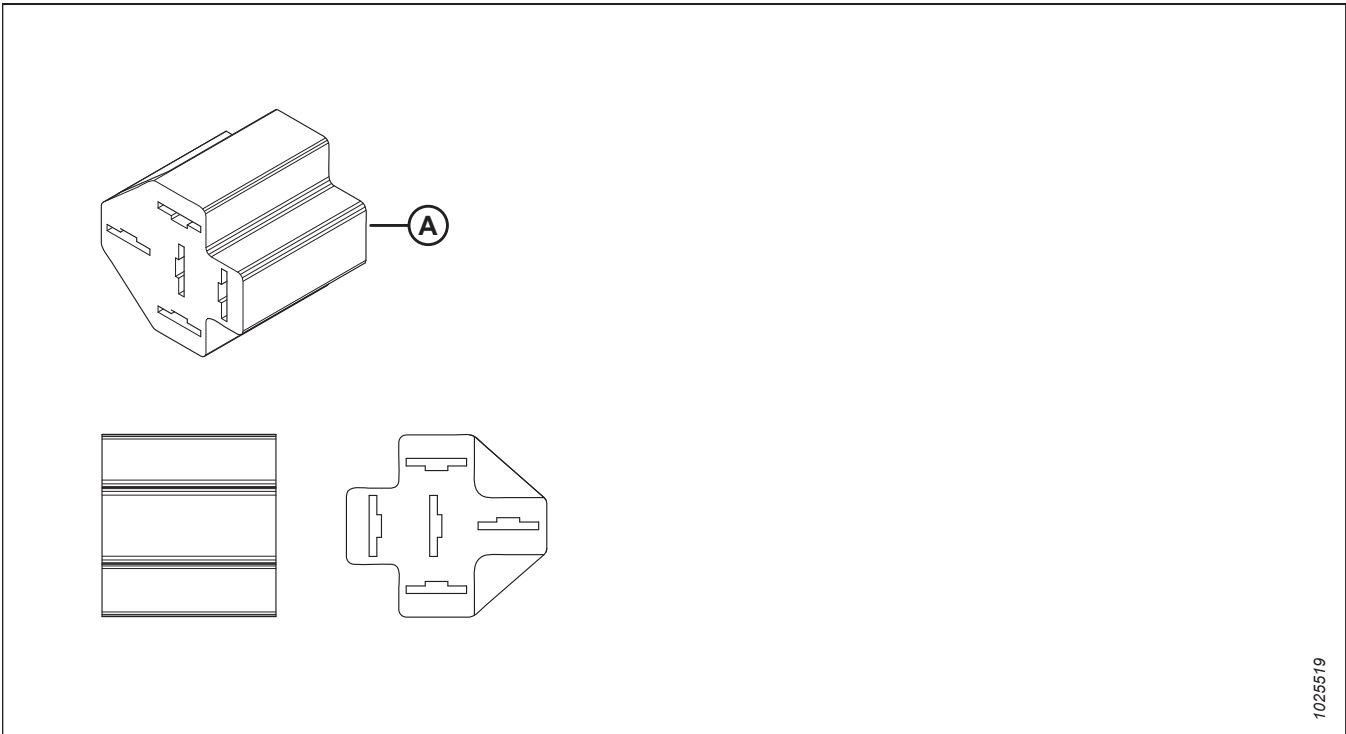


1025518

	MacDon Part #	Description	Manufacturer	Series	Manufacturer Part #
A		Connector – Plug	Bulgin		PX0446
		Terminal			
		Lock			
		Secondary Lock			
		Seal			
		Mating Connector			
		Extraction Tool			
		Crimp Tool			
		Cavity Plug			
		Boots/Caps			

FIVE-POSITION CONNECTORS

6.6

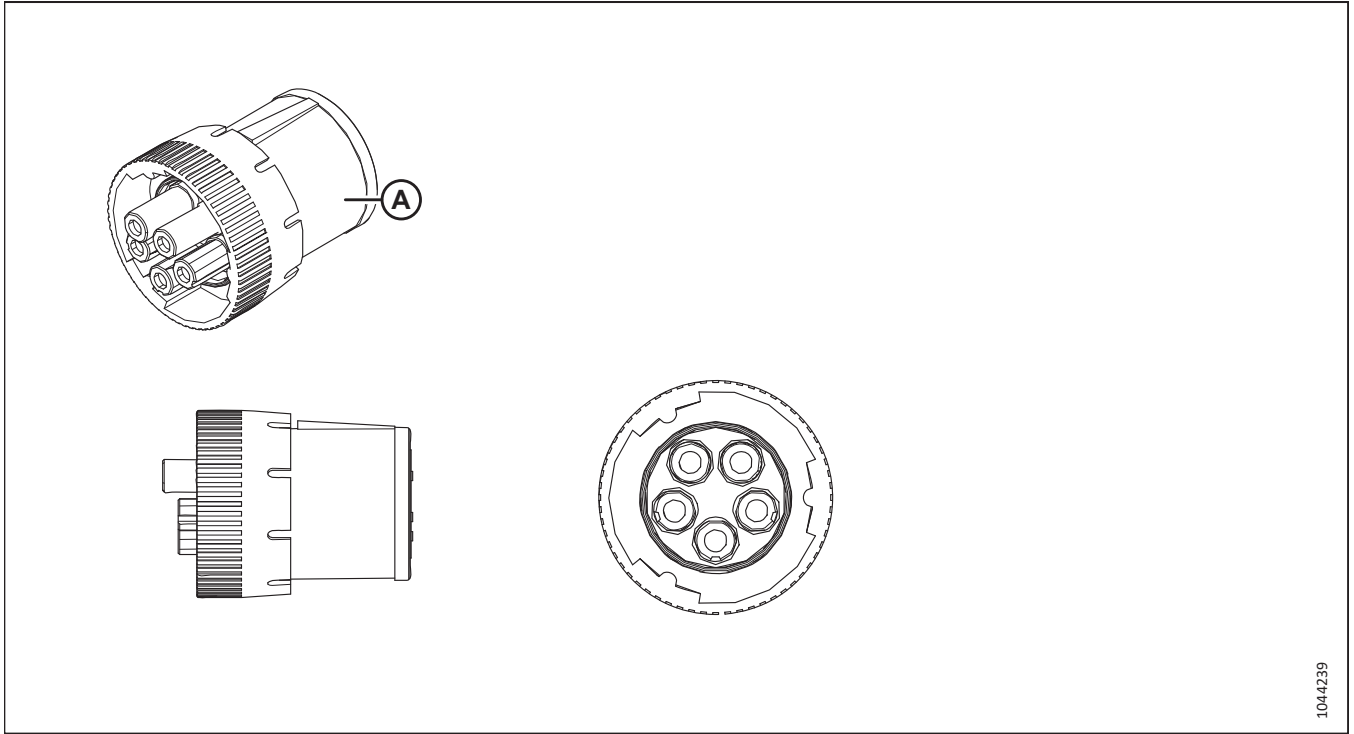


1025519

	MacDon Part #	Description	Manufacturer	Series	Manufacturer Part #
A		Connector – Relay Socket	Tyco		3-334-485-007
		Terminal			
		Lock			
		Secondary Lock			
		Seal			
		Mating Connector			
		Extraction Tool			
		Crimp Tool			
		Cavity Plug			
		Boots/Caps			

FIVE-POSITION CONNECTORS

6.7

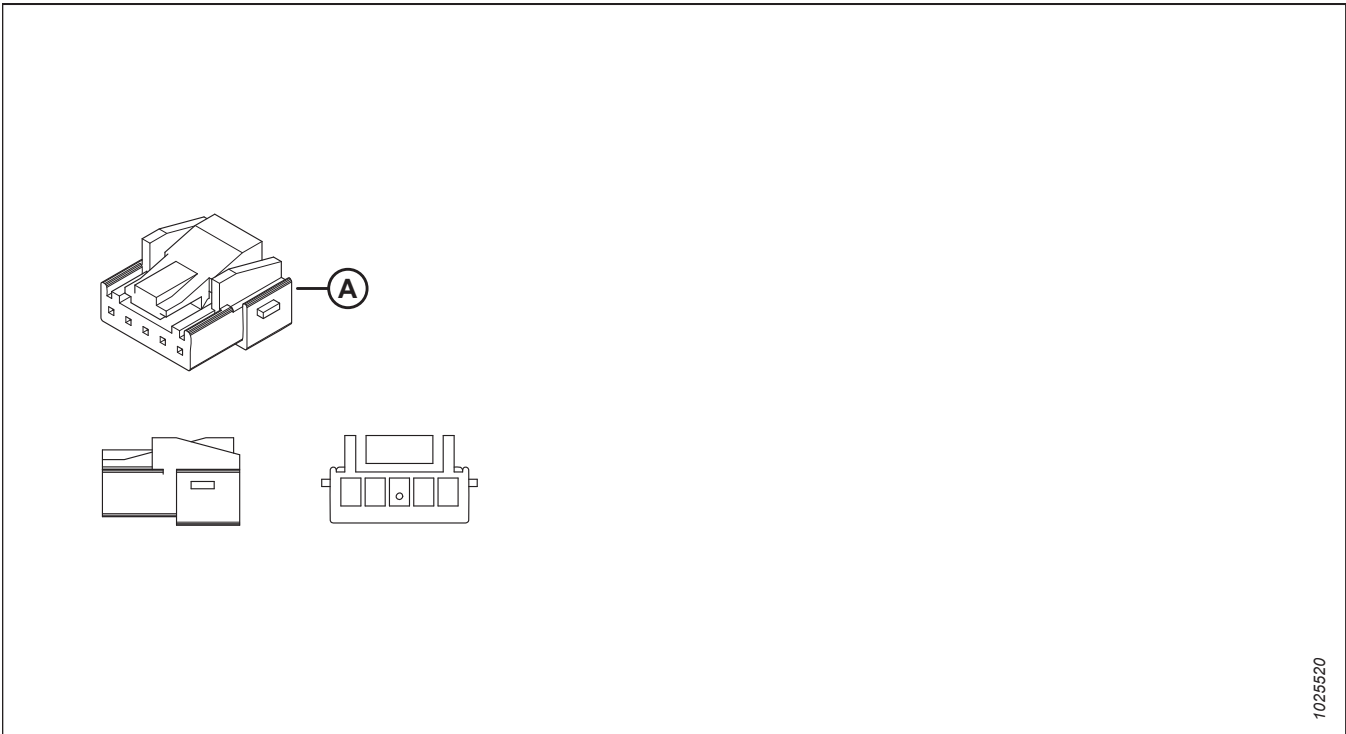


1044239

	MacDon Part #	Description	Manufacturer	Series	Manufacturer Part #
A		Connector – Plug	Deutsch	HD10	HD16-5-16S
		Terminal			
		Lock			
		Secondary Lock			
		Seal			
		Mating Connector			
		Extraction Tool			
		Crimp Tool			
		Cavity Plug			
		Boots/Caps			

FIVE-POSITION CONNECTORS

6.8

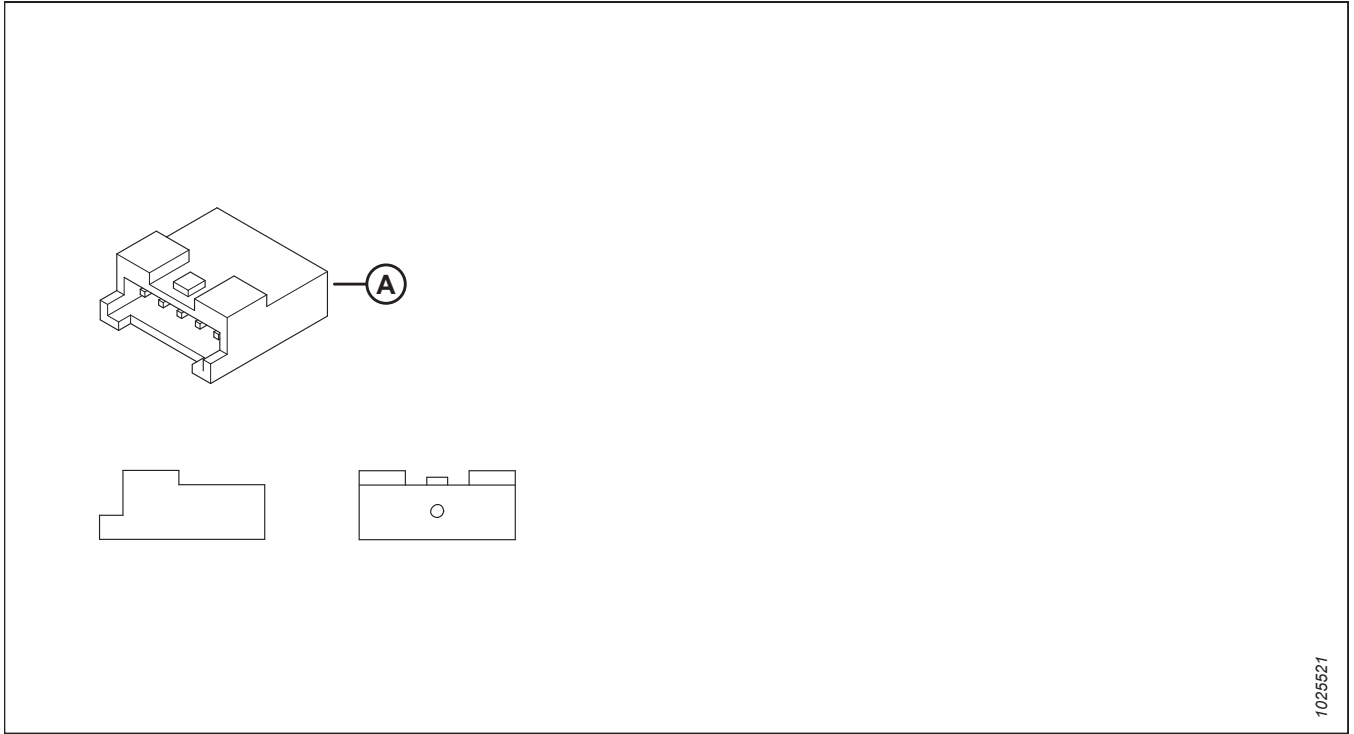


1025520

	MacDon Part #	Description	Manufacturer	Series	Manufacturer Part #
A		Connector – Plug	JST	PA Family	PARP-05V
		Terminal			
		Lock			
		Secondary Lock			
		Seal			
		Mating Connector			
		Extraction Tool			
		Crimp Tool			
		Cavity Plug			
		Boots/Caps			

FIVE-POSITION CONNECTORS

6.9

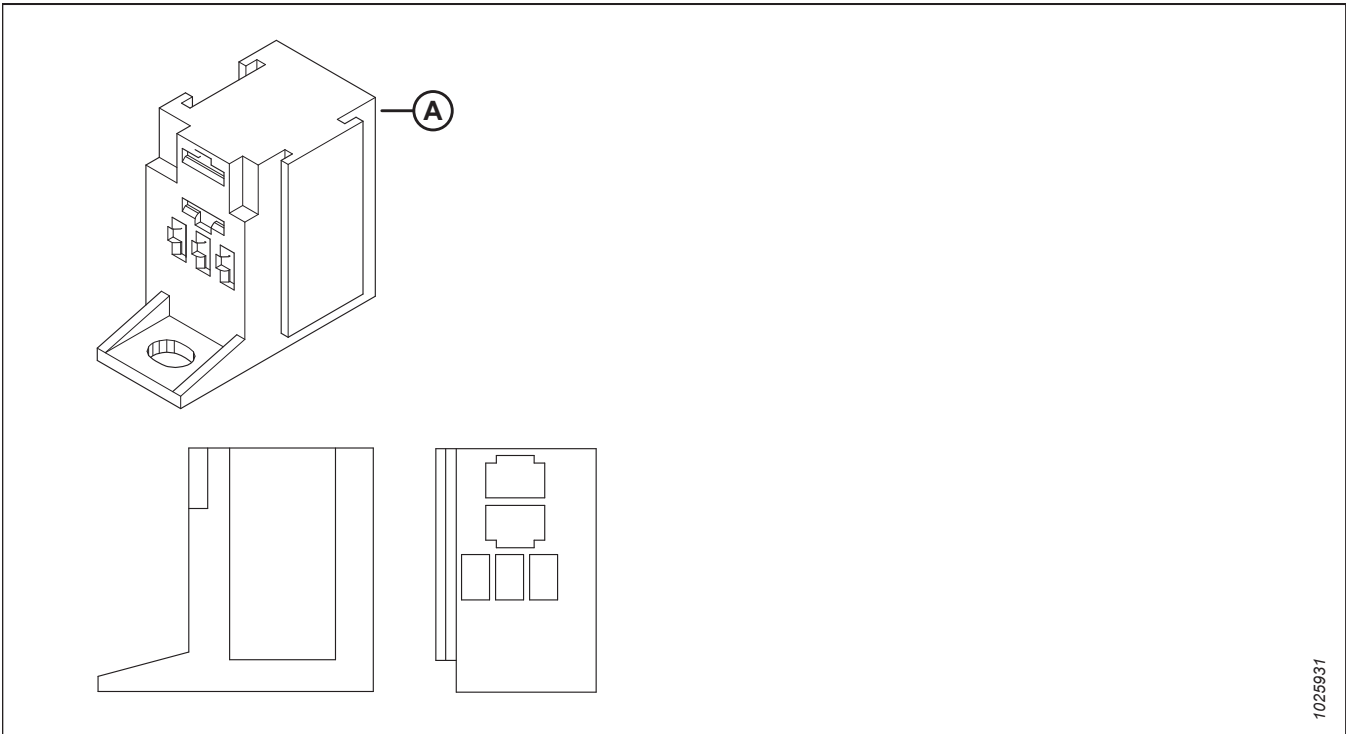


1025521

	MacDon Part #	Description	Manufacturer	Series	Manufacturer Part #
A		Connector – Socket	JST	PA Family	PALR-05VF
		Terminal			
		Lock			
		Secondary Lock			
		Seal			
		Mating Connector			
		Extraction Tool			
		Crimp Tool			
		Cavity Plug			
		Boots/Caps			

FIVE-POSITION CONNECTORS

6.10

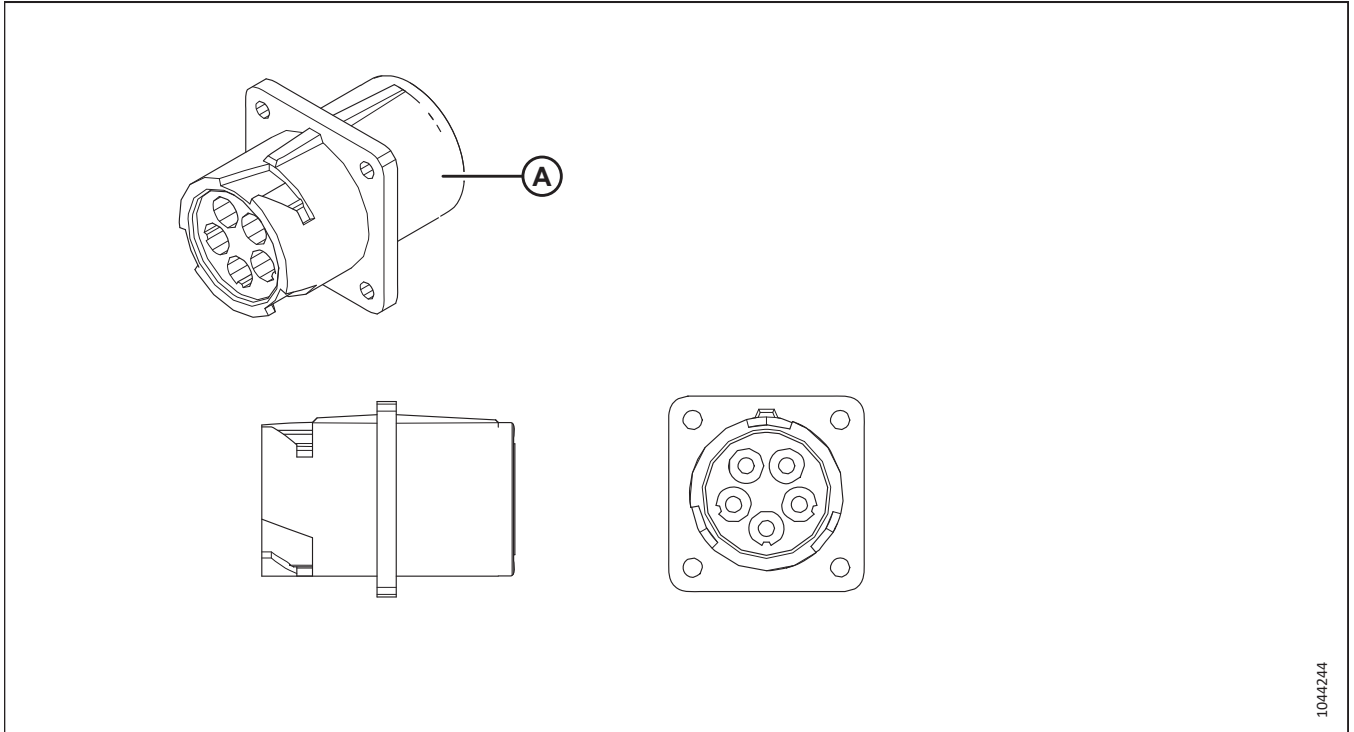


1025931

	MacDon Part #	Description	Manufacturer	Series	Manufacturer Part #
A		Connector – Relay Socket	Bosch		3-334-485-045
		Terminal			
		Extraction Tool			
		Crimp Tool			

FIVE-POSITION CONNECTORS

6.11

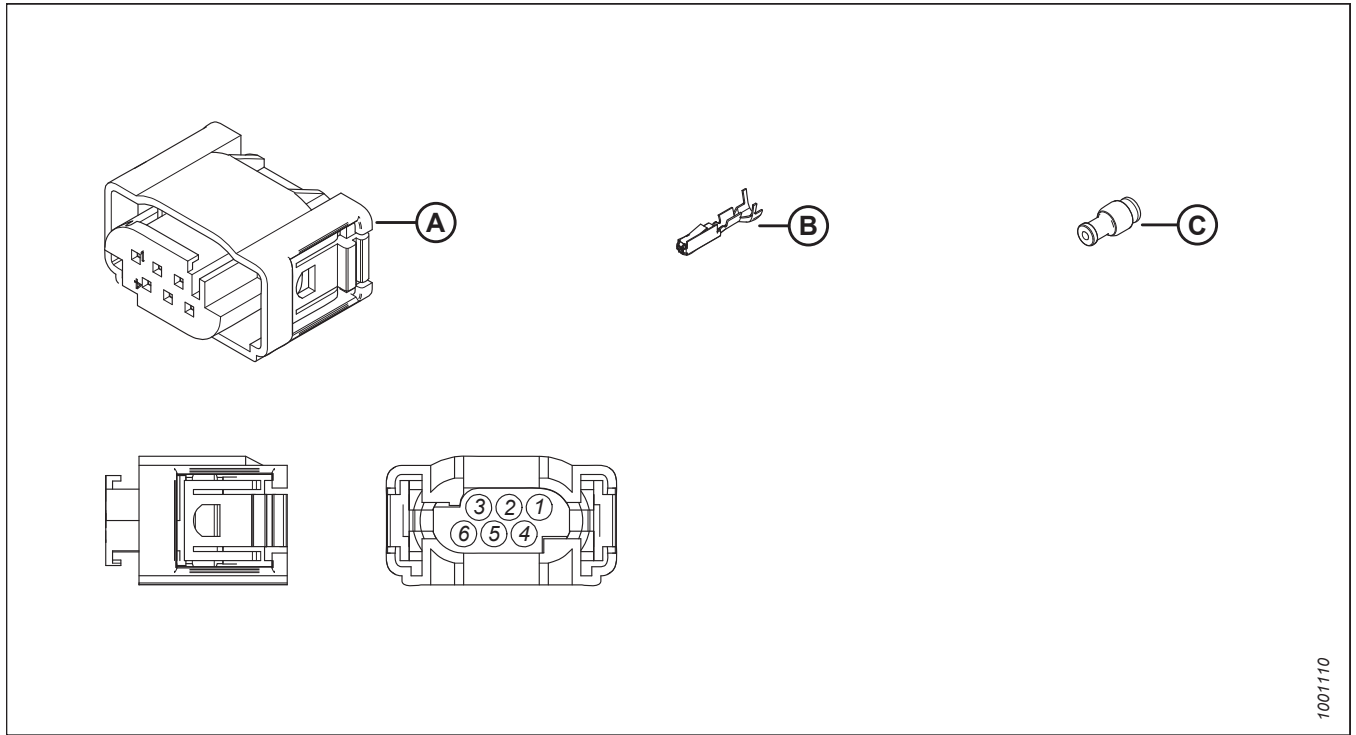


1044244

	MacDon Part #	Description	Manufacturer	Series	Manufacturer Part #
A		Connector – Receptacle	Deutsch	HD10	HD10-5-16P
		Terminal			
		Lock			
		Secondary Lock			
		Seal			
		Mating Connector			
		Extraction Tool			
		Crimp Tool			
		Cavity Plug			
		Boots/Caps			

Chapter 7: Six-Position Connectors

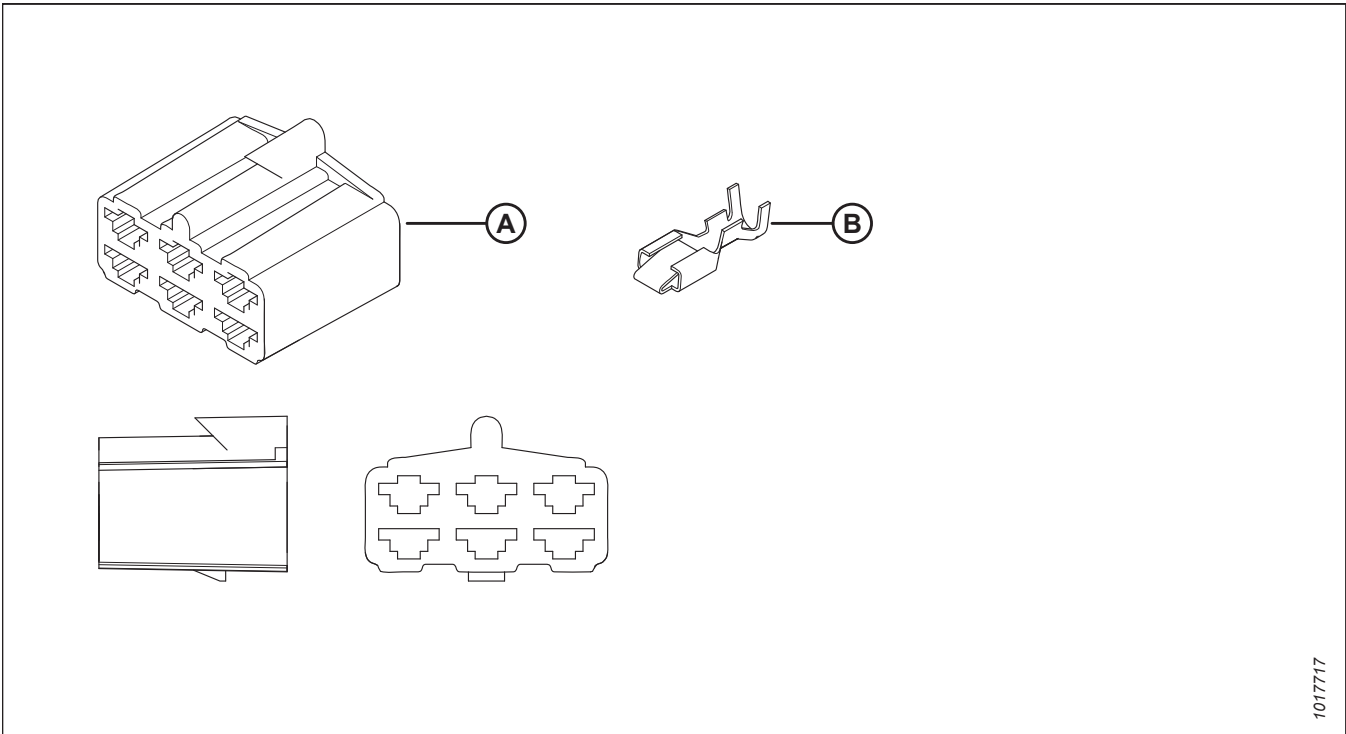
7.1



	MacDon Part #	Description	Manufacturer	Series	Manufacturer Part #
A		Connector – Plug	Tyco	AMP Micro Quadlock	1-967616-1
B	134154	Terminal – Socket (20 ga)	Tyco	AMP Micro Quadlock	962885-1 965906-1
C	134155	Seal – Wire (Yellow)	Tyco	AMP Micro Quadlock	967067-1
		Mating Connector			
		Extraction Tool			
		Crimp Tool			

SIX-POSITION CONNECTORS

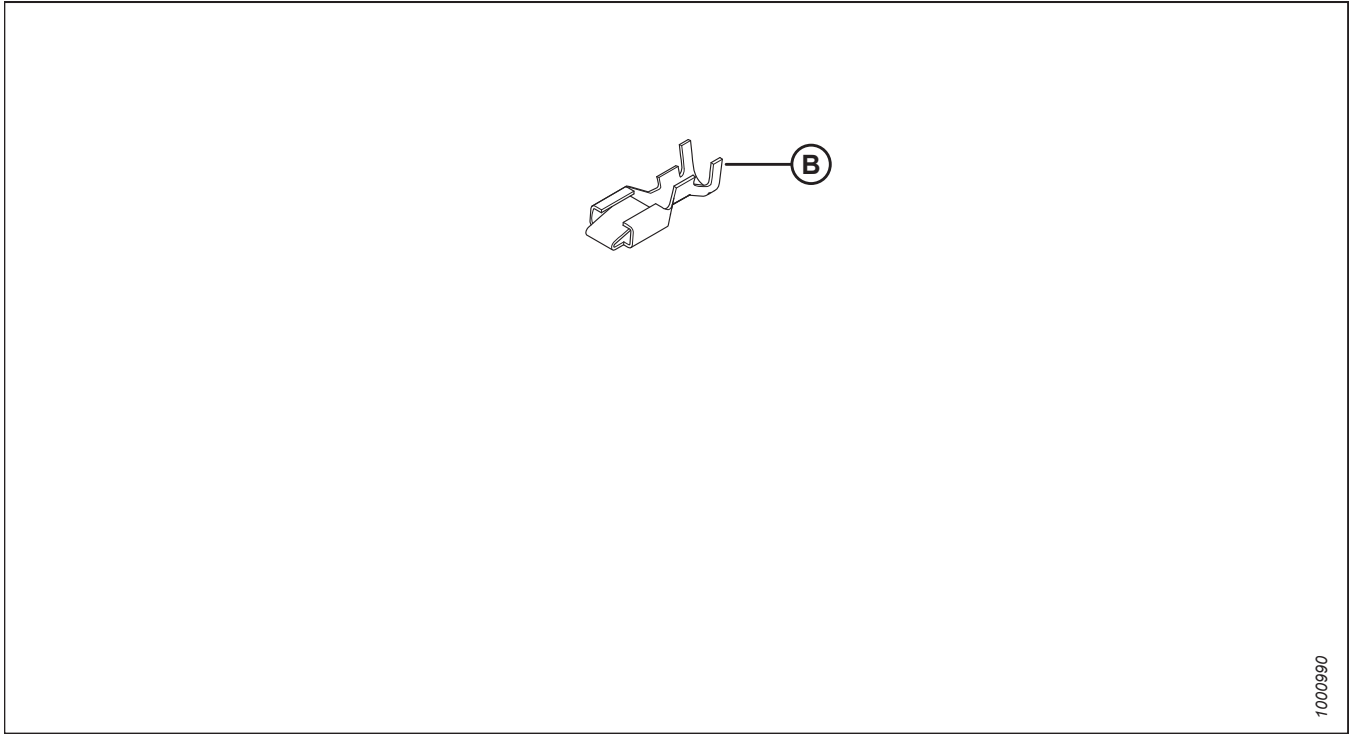
7.2



	MacDon Part #	Description	Manufacturer	Series	Manufacturer Part #
A		Connector – Receptacle (12–18 ga)	Delphi	56	2977044
B	134112	Terminal – Receptacle (12–18 ga)	Delphi	56	12124517 12124512 12124513 12124515 12124518
		Mating Connector		2977042	
	134159	Extraction Tool		12094430	
		Crimp Tool			

SIX-POSITION CONNECTORS

7.3

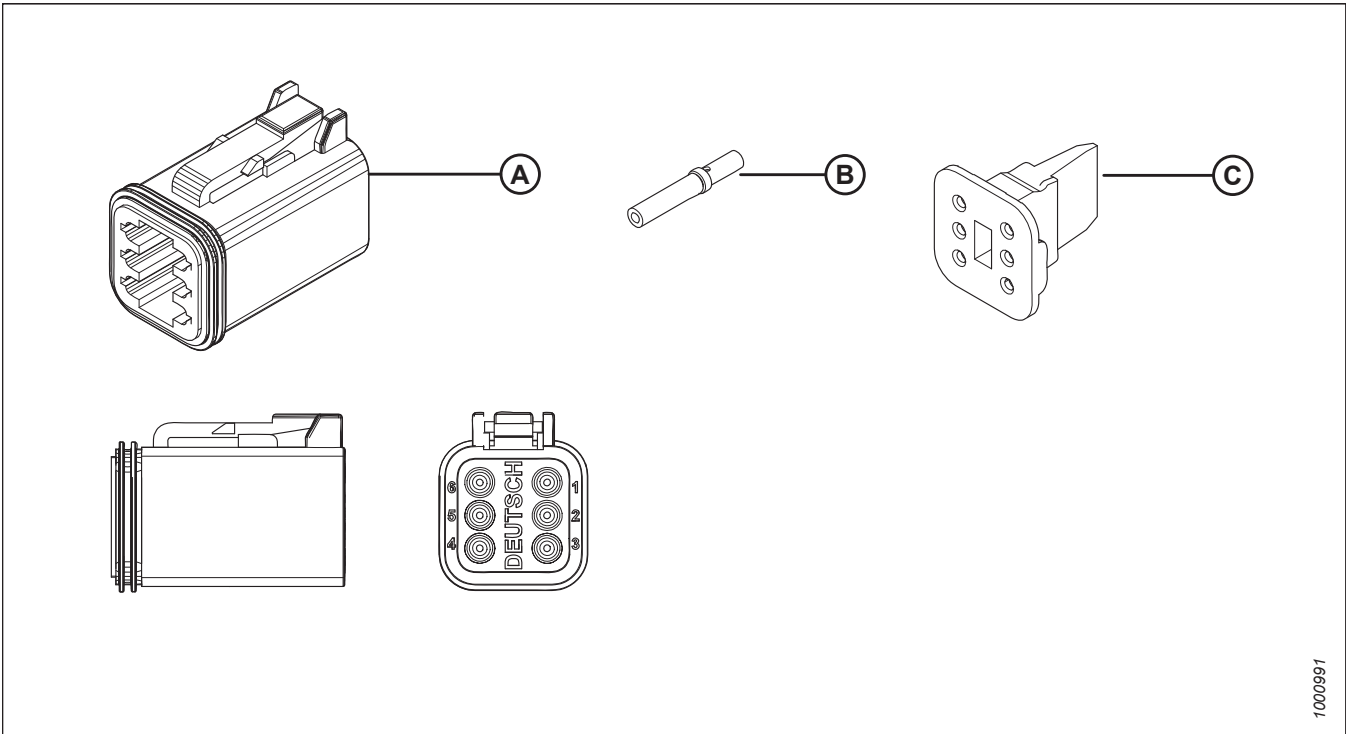


1000990

	MacDon Part #	Description	Manufacturer	Series	Manufacturer Part #
		Connector – Plug (12–18 ga)	Delphi	56	2977042
B	134112	Terminal – Receptacle (12–18 ga)	Delphi	56	12124517
		Mating Connector		2977044	
		Extraction Tool			
		Crimp Tool			

SIX-POSITION CONNECTORS

7.4

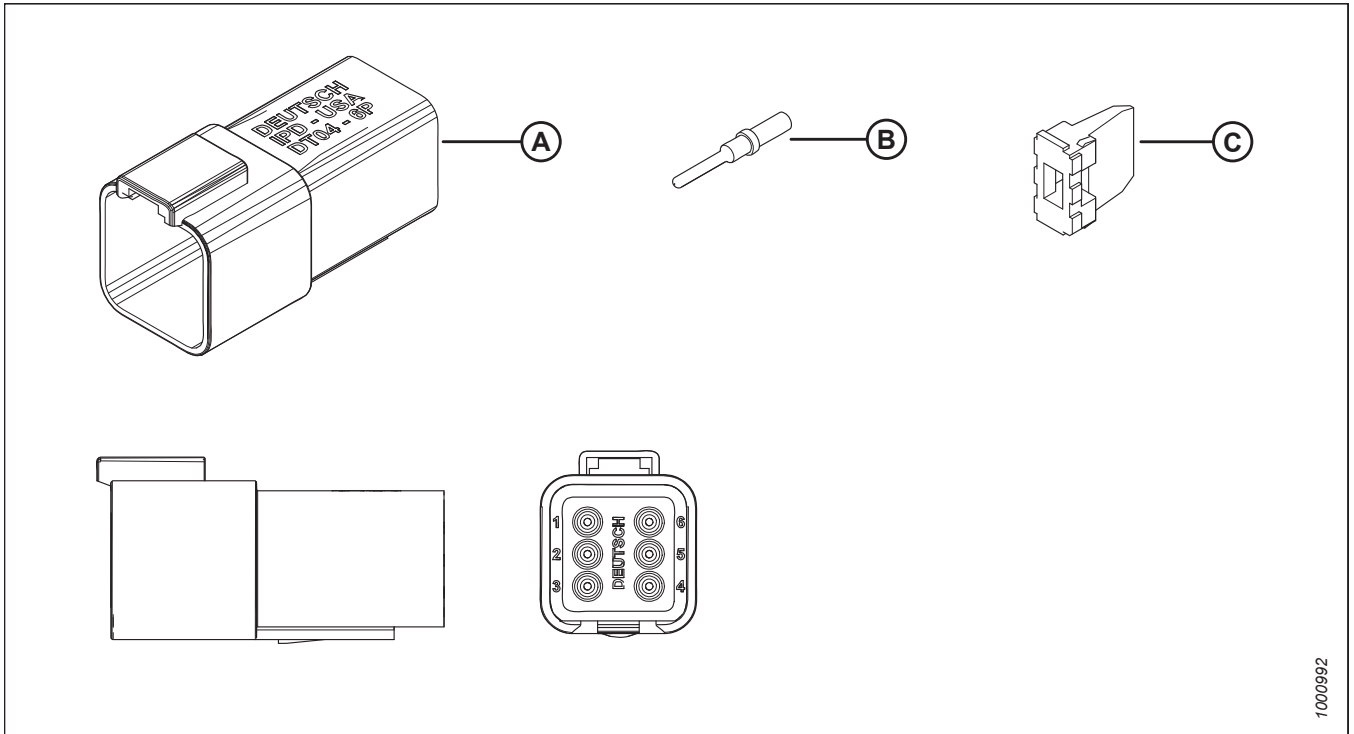


1000991

	MacDon Part #	Description	Manufacturer	Series	Manufacturer Part #
A	134036	Connector – Plug (14–20 ga)	Deutsch	DT	DT06-6S-P012
B	134026	Terminal – Socket	Deutsch	Size 16	0462-201-16141 (nickel), 0462-201-1631 (gold)
C	134037	Lock	Deutsch	DT	W6S-P012
		Mating Connector		DT04-6P	
		Extraction Tool			
		Crimp Tool			

SIX-POSITION CONNECTORS

7.5



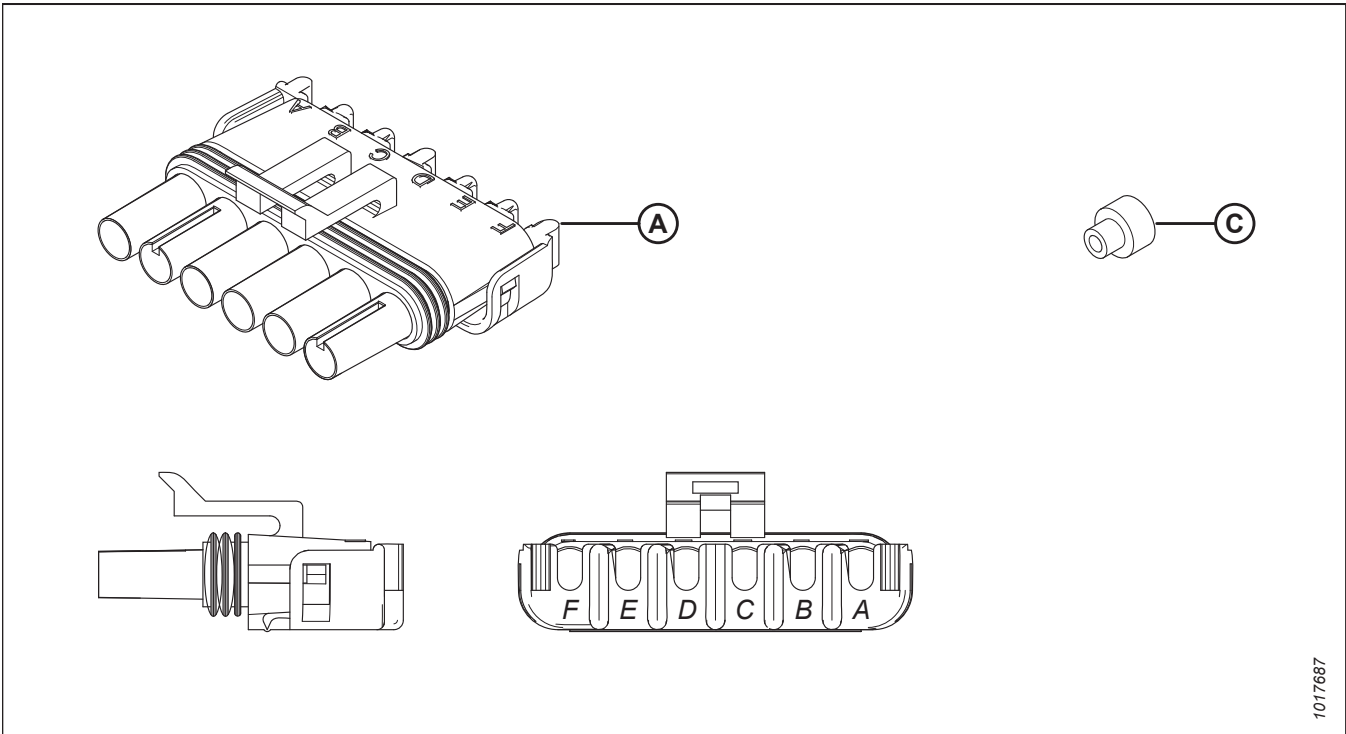
1000992

	MacDon Part #	Description	Manufacturer	Series	Manufacturer Part #
A		Connector – Receptacle (14–20 ga)	Deutsch	DT	DT04-6P ³
B	134023	Terminal – Pin (16–18 ga)	Deutsch	Size 16	0460-202-16141 (nickel), 0460-202-1631 (gold)
C	134072	Lock	Deutsch	DT	W6P
	134036	Mating Connector		DT06-6S-P012	
		Extraction Tool			
	134015	Crimp Tool		HDT-48-00	

3. DT04-6P-E004 is the same as DT04-6P, but in black.

SIX-POSITION CONNECTORS

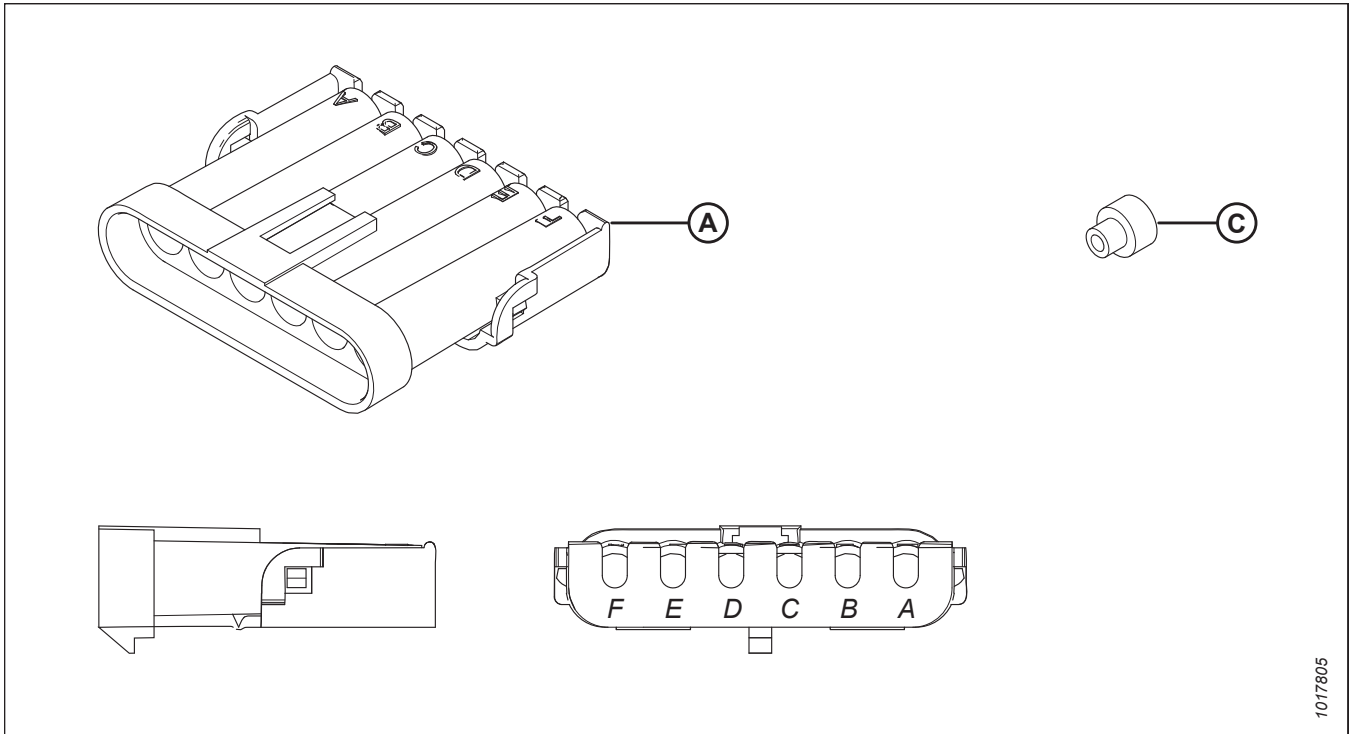
7.6



	MacDon Part #	Description	Manufacturer	Series	Manufacturer Part #
A		Connector – Plug	Delphi	W/P	12015799
	30471	Terminal – Socket (14–16 ga)	Delphi	W/P	12124580 12124581 12089188 12020801
C		Seal – Wire (Orange)	Delphi	W/P	12129930
		Mating Connector	12010975		
		Extraction Tool			
		Crimp Tool			

SIX-POSITION CONNECTORS

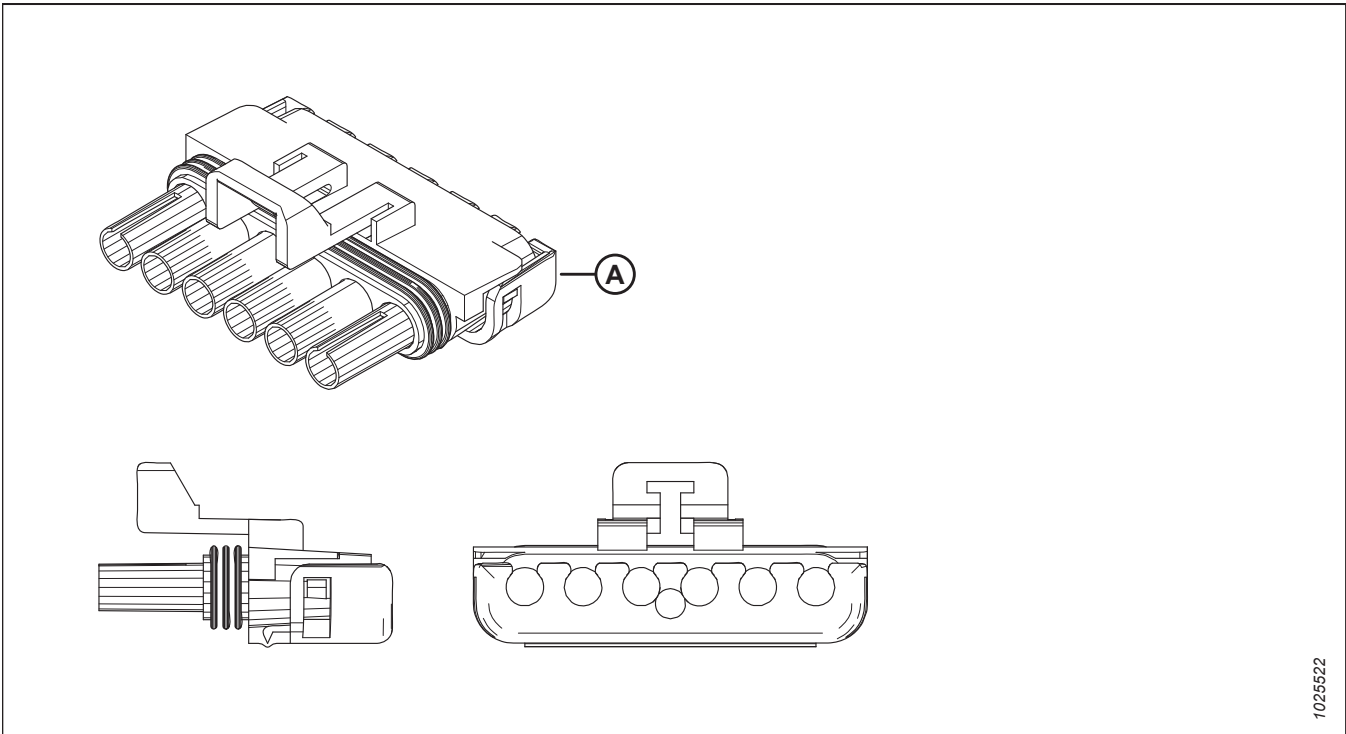
7.7



	MacDon Part #	Description	Manufacturer	Series	Manufacturer Part #
A		Connector – Receptacle	Delphi	W/P	12010975
	30473	Terminal – Socket (14–16 ga)	Delphi	W/P	12124582
C		Seal – Wire (Green)	Delphi	W/P	15324982
		Mating Connector	12015799		
		Extraction Tool			
		Crimp Tool			

SIX-POSITION CONNECTORS

7.8

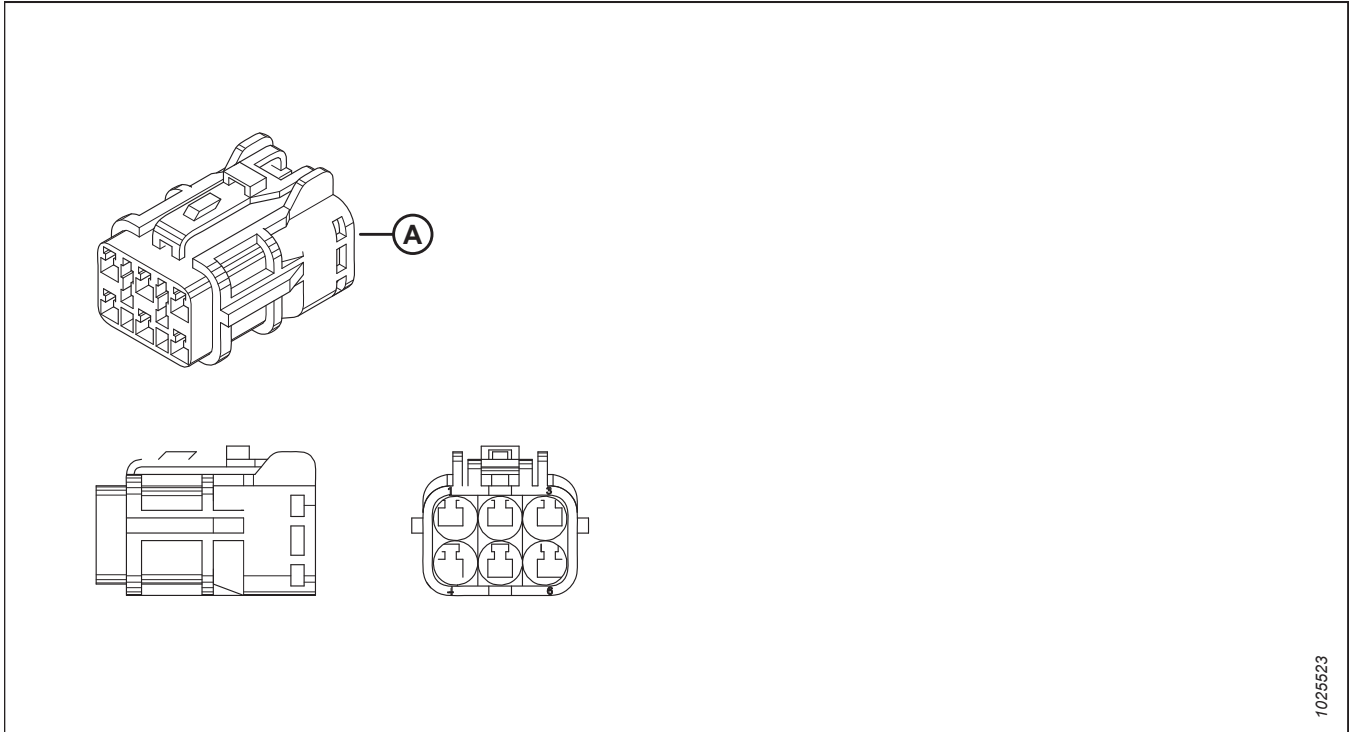


1025522

	MacDon Part #	Description	Manufacturer	Series	Manufacturer Part #
A		Connector – Plug	Delphi	Weather Pack	12020926
		Terminal			12020801, 12124580, 12124581, 12124582, 12089307, 12089188, 12089040, 12124587, 12146501, 15344718
		Lock			12020833
		Secondary Lock			
		Seal			12129930, 15324980, 15324981, 15324983, 15324984, 15324985, 12010300, 15324982
		Mating Connector	12020786, 12066460, 12059734		
		Extraction Tool			
		Crimp Tool			
		Cavity Plug			

SIX-POSITION CONNECTORS

7.9

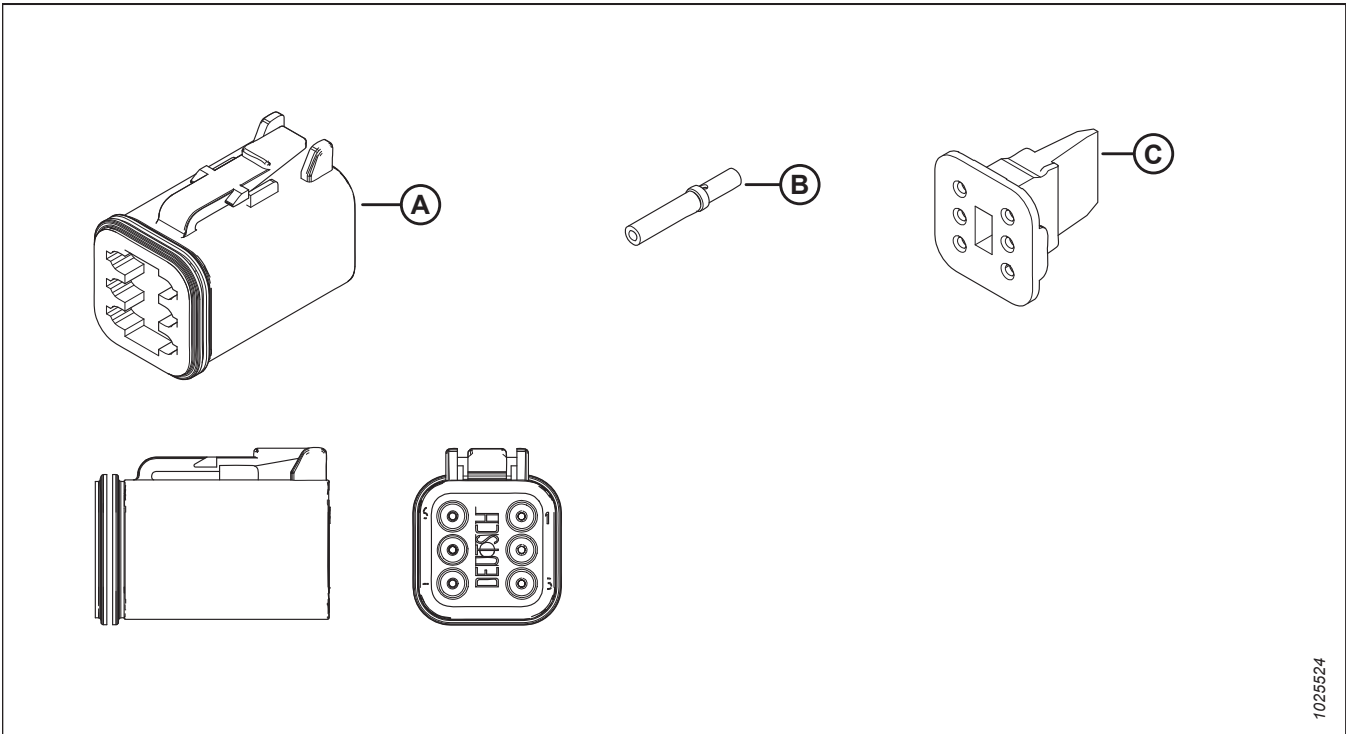


1025523

	MacDon Part #	Description	Manufacturer	Series	Manufacturer Part #
A		Connector – Plug	Yazaki		71237464-40
		Terminal			7116-1471, 7116-1471-08, 7116-1472, 7116-1472-08
		Lock			
		Secondary Lock			
		Seal			7157-7811-80, 7157-7812, 7157-7897-60, 7157-7899-90
		Mating Connector		7222-7464-40	
		Extraction Tool			
		Crimp Tool			
		Cavity Plug			
		Boots/Caps		7157-7816-80	

SIX-POSITION CONNECTORS

7.10

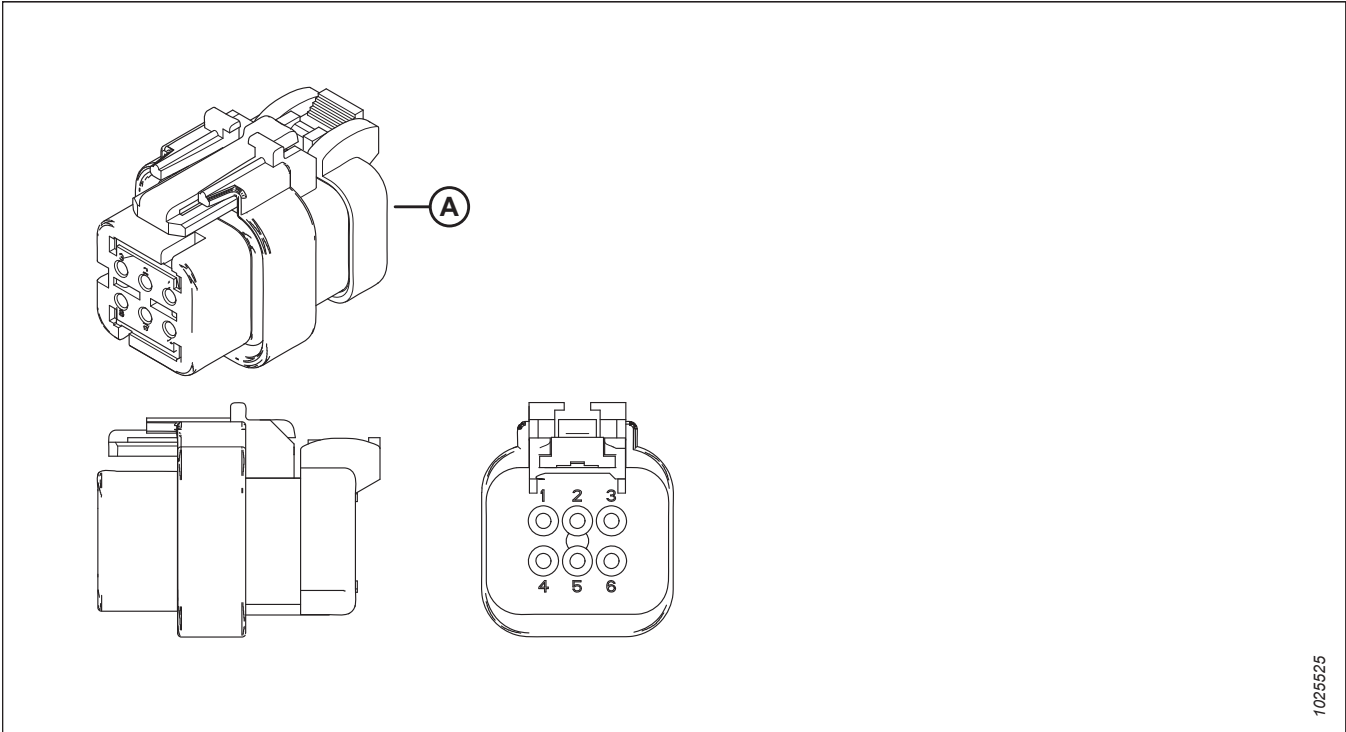


1025524

	MacDon Part #	Description	Manufacturer	Series	Manufacturer Part #
A		Connector – Plug	Deutsch	DT	DT06-6S
B	134026	Terminal – Socket	Deutsch	Size 16	0462-201-16141 (nickel), 0462-201-1631 (gold)
C	134037	Lock	Deutsch	DT	W6S-P012
		Secondary Lock			
		Seal			
		Mating Connector			
		Extraction Tool			
		Crimp Tool			
		Cavity Plug			
		Boots/Caps			

SIX-POSITION CONNECTORS

7.11

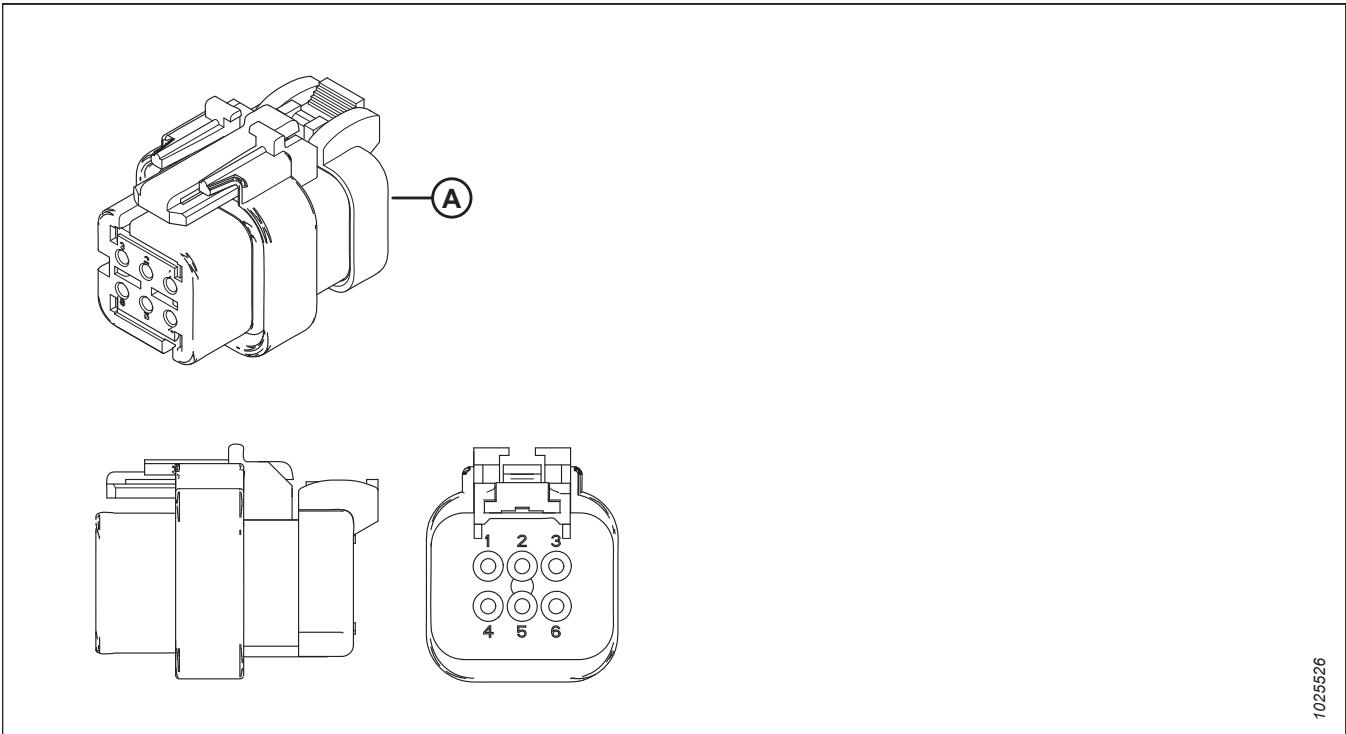


1025525

	MacDon Part #	Description	Manufacturer	Series	Manufacturer Part #
A		Connector – Plug (RED Insert)	Tyco	Ampseal 16	776433-1
		Terminal			776491, 776492, 2098253, 776491
		Lock			
		Secondary Lock			
		Seal			2040594-4
		Mating Connector		1717675-1	
		Extraction Tool		776441-1	
		Crimp Tool			
		Cavity Plug		776363-1	
		Boots/Caps		1-2035366, 2035047-6, 2040594, 2292800-1, 2302493	

SIX-POSITION CONNECTORS

7.12

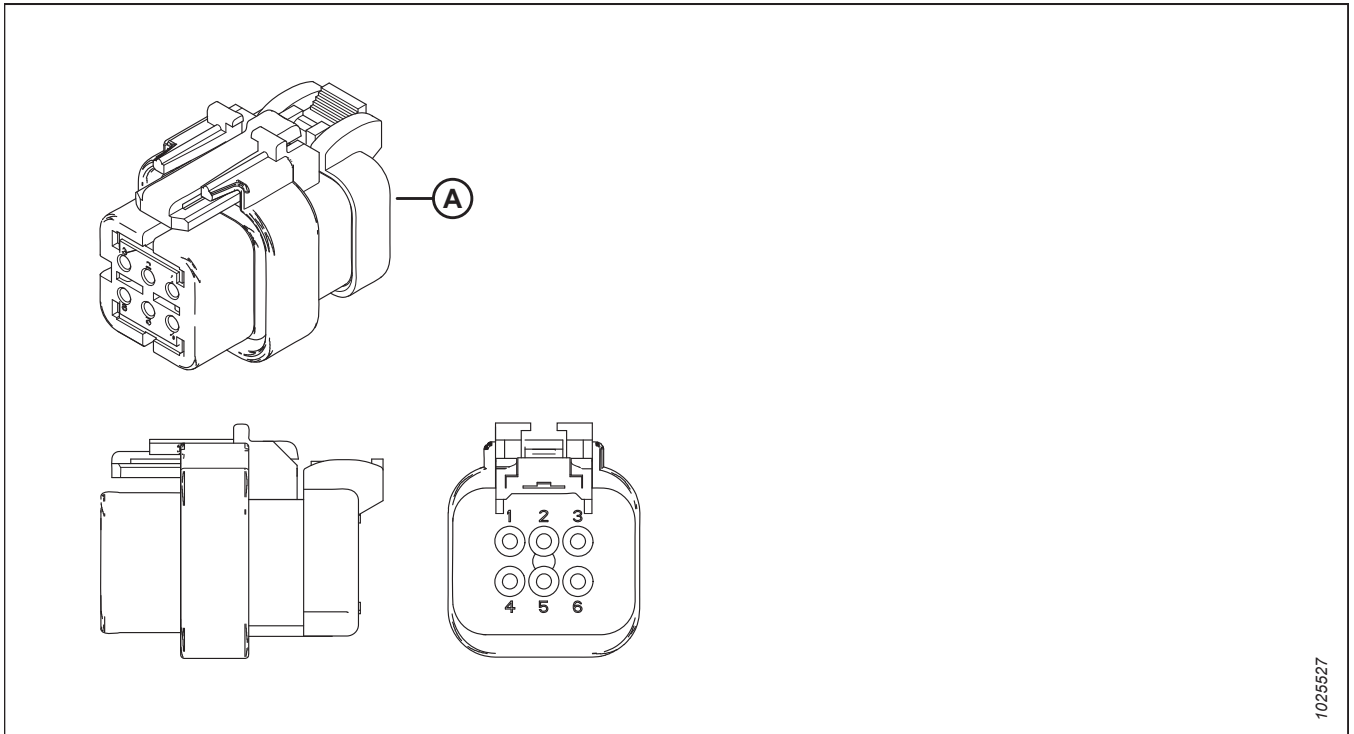


1025526

	MacDon Part #	Description	Manufacturer	Series	Manufacturer Part #
A		Connector – Plug (GREEN Insert)	Tyco	Ampseal 16	776433-2
		Terminal			776491, 776492, 2098253, 776491
		Lock			
		Secondary Lock			
		Seal			2040594-4
		Mating Connector			
		Extraction Tool		776441-1	
		Crimp Tool			
		Cavity Plug		776363-1	
		Boots/Caps		1-2035366, 2035047-6, 2040594, 2292800-1, 2302493	

SIX-POSITION CONNECTORS

7.13

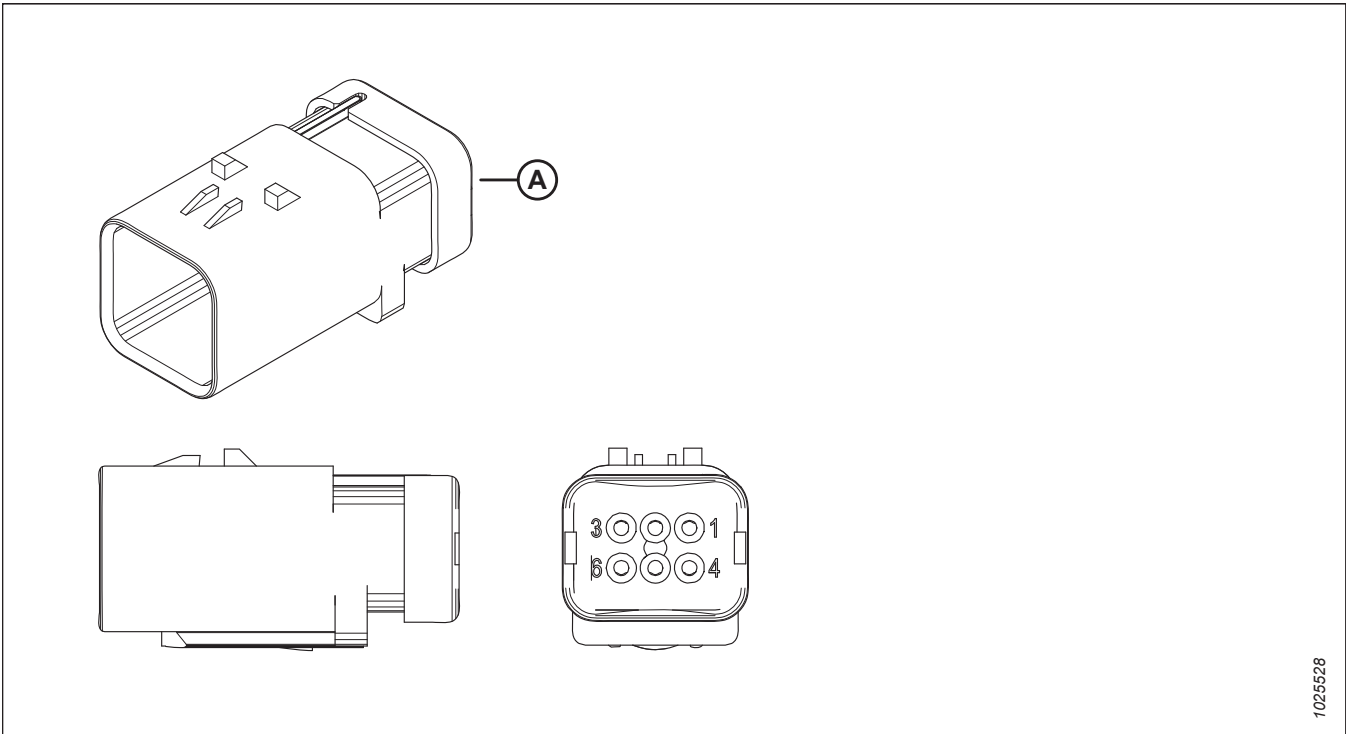


1025527

	MacDon Part #	Description	Manufacturer	Series	Manufacturer Part #
A		Connector – Plug (YELLOW Insert)	Tyco	Ampseal 16	776433-3
		Terminal			776491, 776492, 2098253, 776491
		Lock			
		Secondary Lock			
		Seal			2040594-4
		Mating Connector			
		Extraction Tool		776441-1	
		Crimp Tool			
		Cavity Plug		776363-1	
		Boots/Caps		1-2035366, 2035047-6, 2040594, 2292800-1, 2302493	

SIX-POSITION CONNECTORS

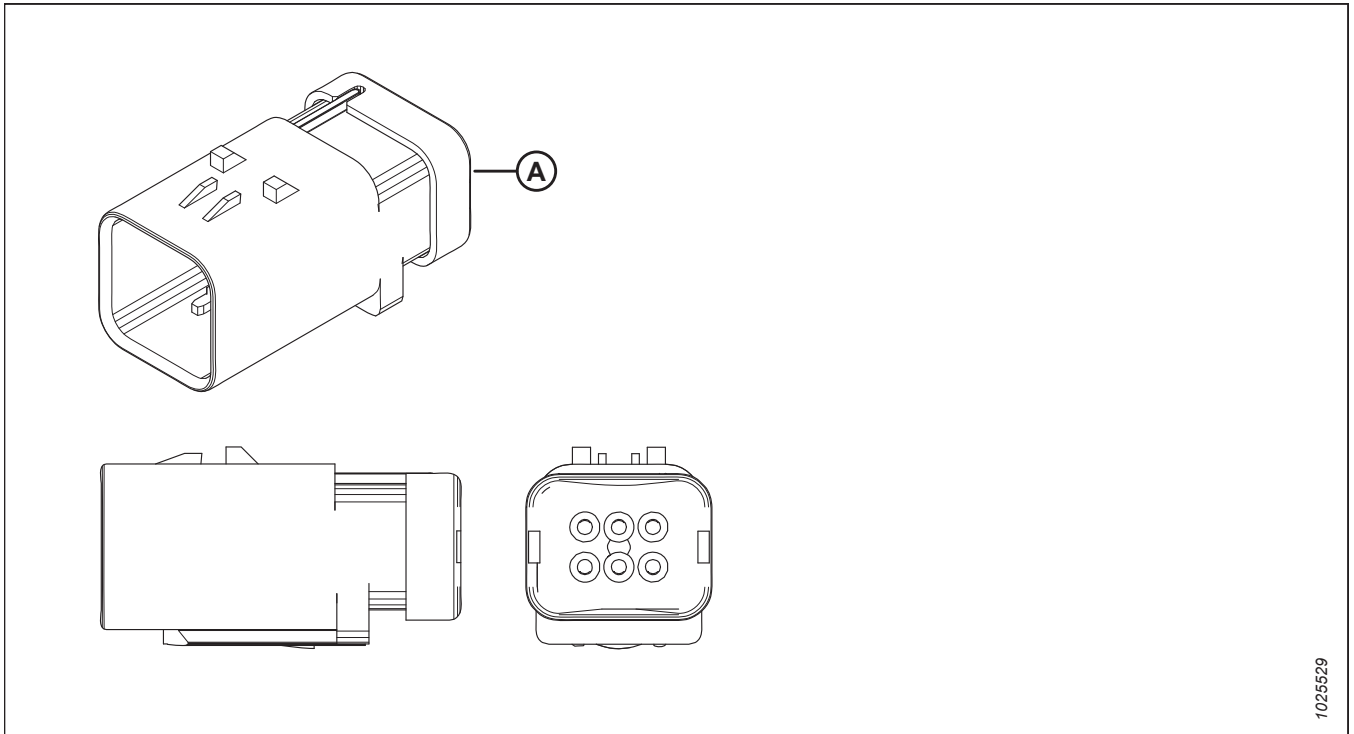
7.14



	MacDon Part #	Description	Manufacturer	Series	Manufacturer Part #
A		Connector – Receptacle (RED Insert)	Tyco	Ampseal 16	776434-1
		Terminal			638078, 638112, 2098252
		Lock			
		Secondary Lock			
		Seal			
		Mating Connector			
		Extraction Tool		776441-1	
		Crimp Tool			
		Cavity Plug		776363	
		Boots/Caps		1-2035366, 2035047-6, 2040594, 2292800-1, 2302493	

SIX-POSITION CONNECTORS

7.15

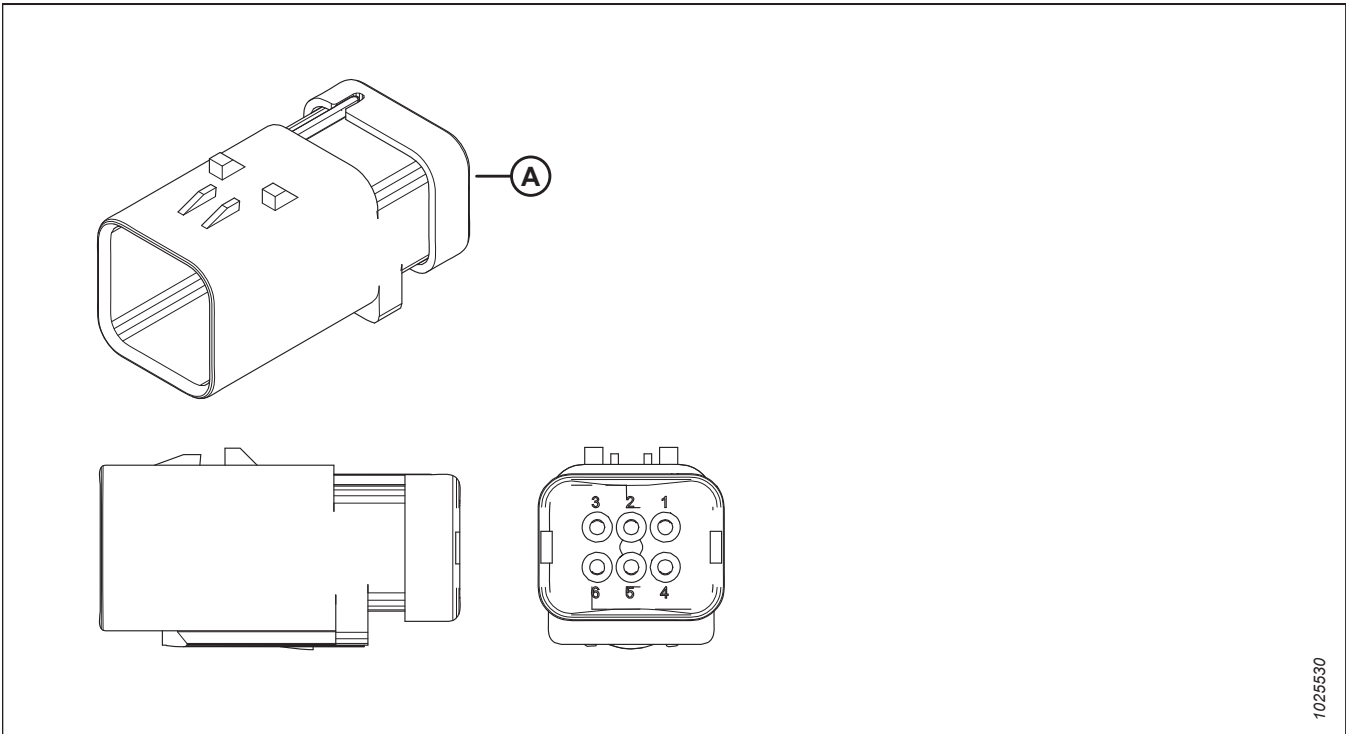


1025529

	MacDon Part #	Description	Manufacturer	Series	Manufacturer Part #
A		Connector – Receptacle (GRAY Insert)	Tyco	Ampseal 16	776434-2
		Terminal			638078, 638112, 2098252
		Lock			
		Secondary Lock			
		Seal			
		Mating Connector			
		Extraction Tool		776441-1	
		Crimp Tool			
		Cavity Plug		776363	
		Boots/Caps		1-2035366, 2035047-6, 2040594, 2292800-1, 2302493	

SIX-POSITION CONNECTORS

7.16

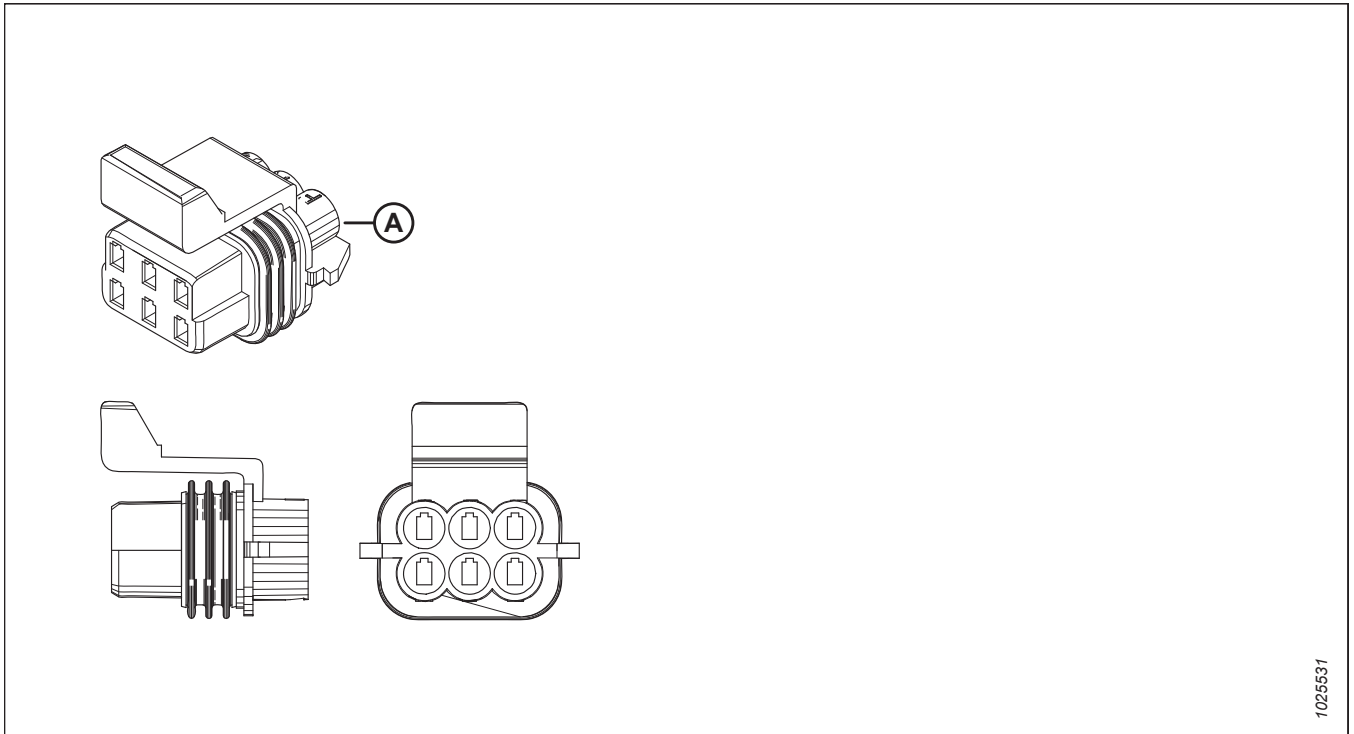


1025530

	MacDon Part #	Description	Manufacturer	Series	Manufacturer Part #
A		Connector – Receptacle (YELLOW Insert)	Tyco	Ampseal 16	776434-3
		Terminal			638078, 638112, 2098252
		Lock			
		Secondary Lock			
		Seal			
		Mating Connector			
		Extraction Tool		776441-1	
		Crimp Tool			
		Cavity Plug		776363	
		Boots/Caps		1-2035366, 2035047-6, 2040594, 2292800-1, 2302493	

SIX-POSITION CONNECTORS

7.17

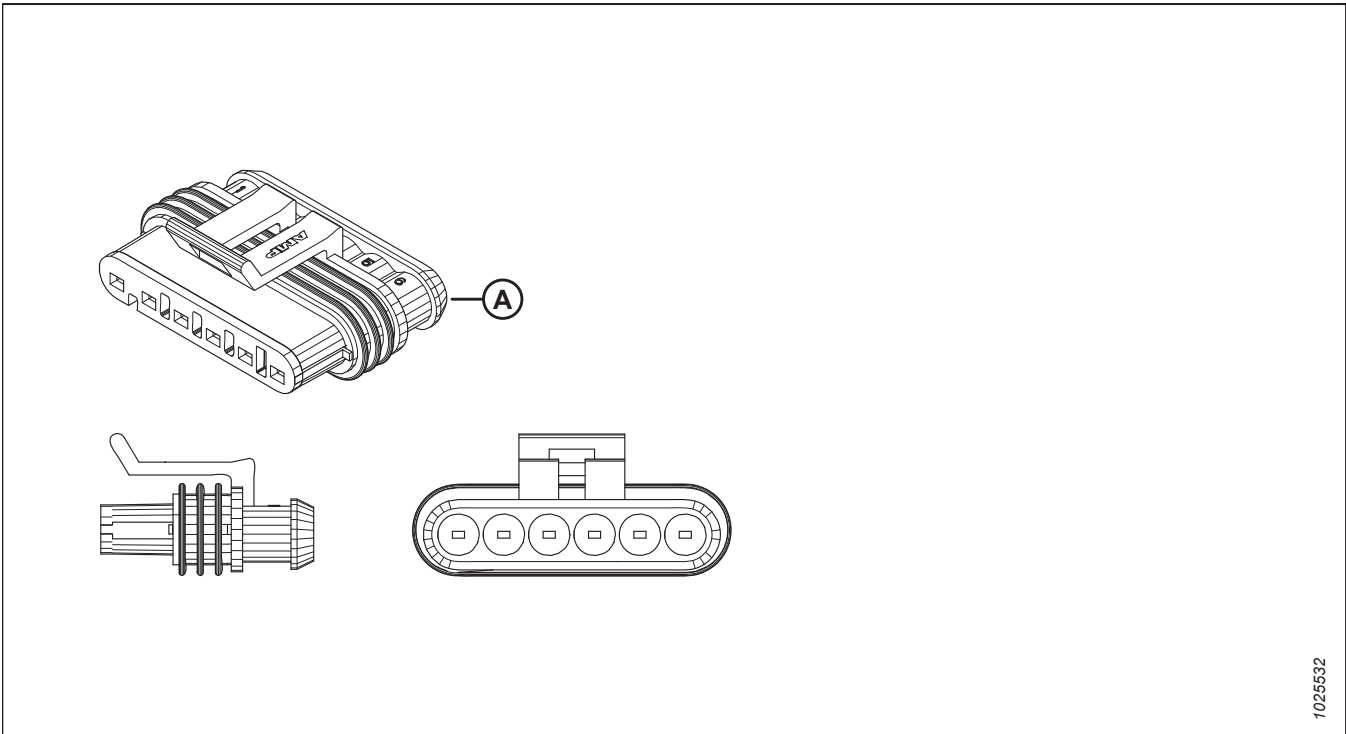


1025531

	MacDon Part #	Description	Manufacturer	Series	Manufacturer Part #
A		Connector – Plug	Delphi	150	12052848
		Terminal			10724453, 12048074, 12084200, 12160222, 12160223, 15326396, 15337281, 15326225, 15366078, 15363934
		Lock			
		Secondary Lock			12052850
		Seal			12124669, 12084193, 12059168, 12129926, 15344953, 15324981, 15324818, 15393249, 15324973, 15324974
		Mating Connector		12052849, 12124107	
		Extraction Tool			
		Crimp Tool			
		Boots/Caps		12092601, 12052846	

SIX-POSITION CONNECTORS

7.18

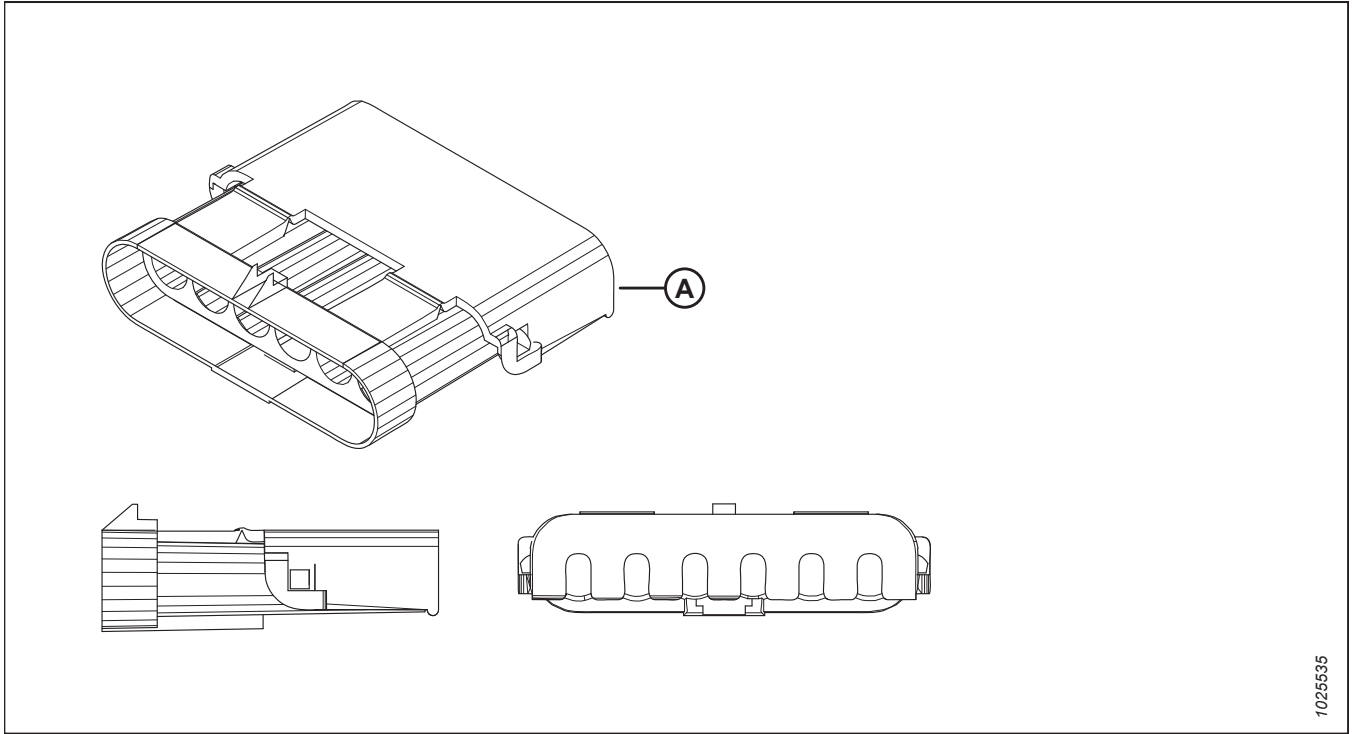


1025532

	MacDon Part #	Description	Manufacturer	Series	Manufacturer Part #
A		Connector – Plug	Tyco		282090-1
		Terminal			
		Lock			
		Secondary Lock			
		Seal			
		Mating Connector	GSA-U3000NLO		
		Extraction Tool			
		Crimp Tool			
		Cavity Plug			
		Boots/Caps			

SIX-POSITION CONNECTORS

7.19

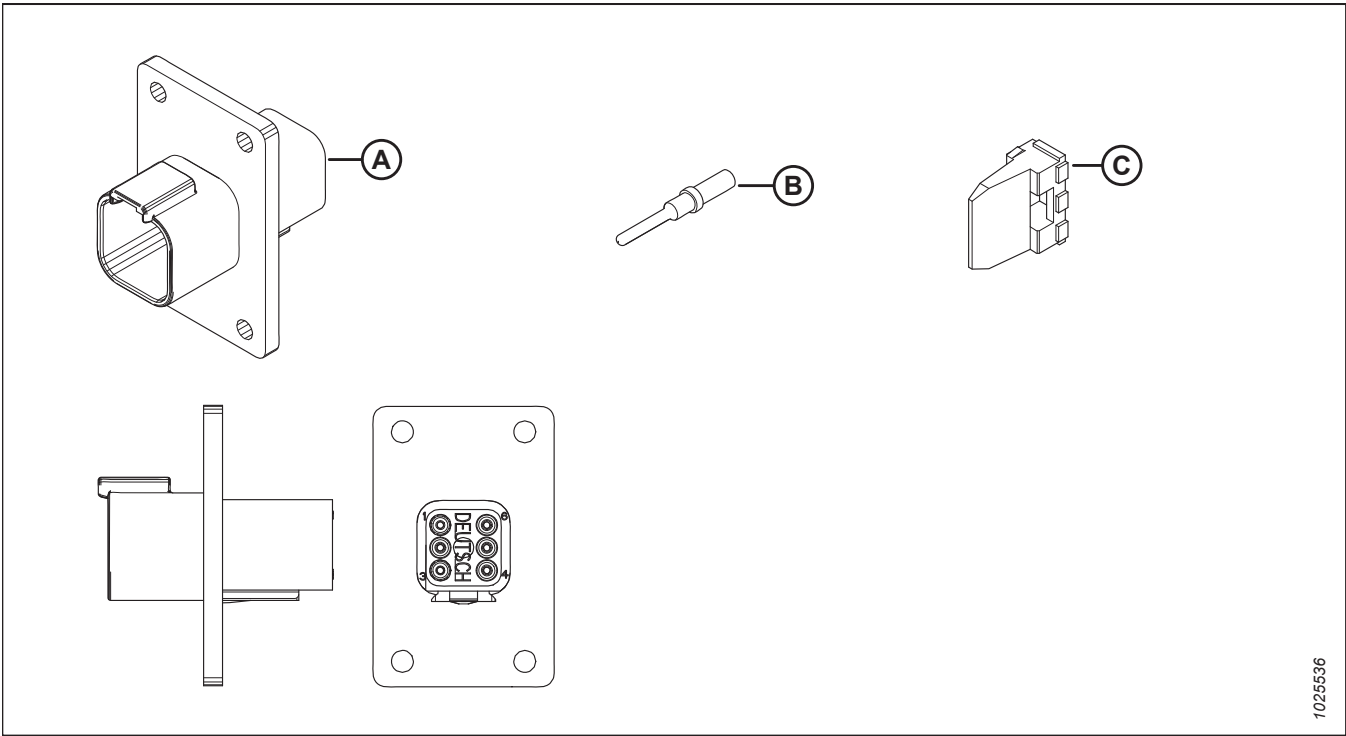


1025535

	MacDon Part #	Description	Manufacturer	Series	Manufacturer Part #
A		Connector – Receptacle	Delphi		12010975
		Terminal			
		Lock			
		Secondary Lock			
		Seal			
		Mating Connector			
		Extraction Tool			
		Crimp Tool			
		Cavity Plug			
		Boots/Caps			

SIX-POSITION CONNECTORS

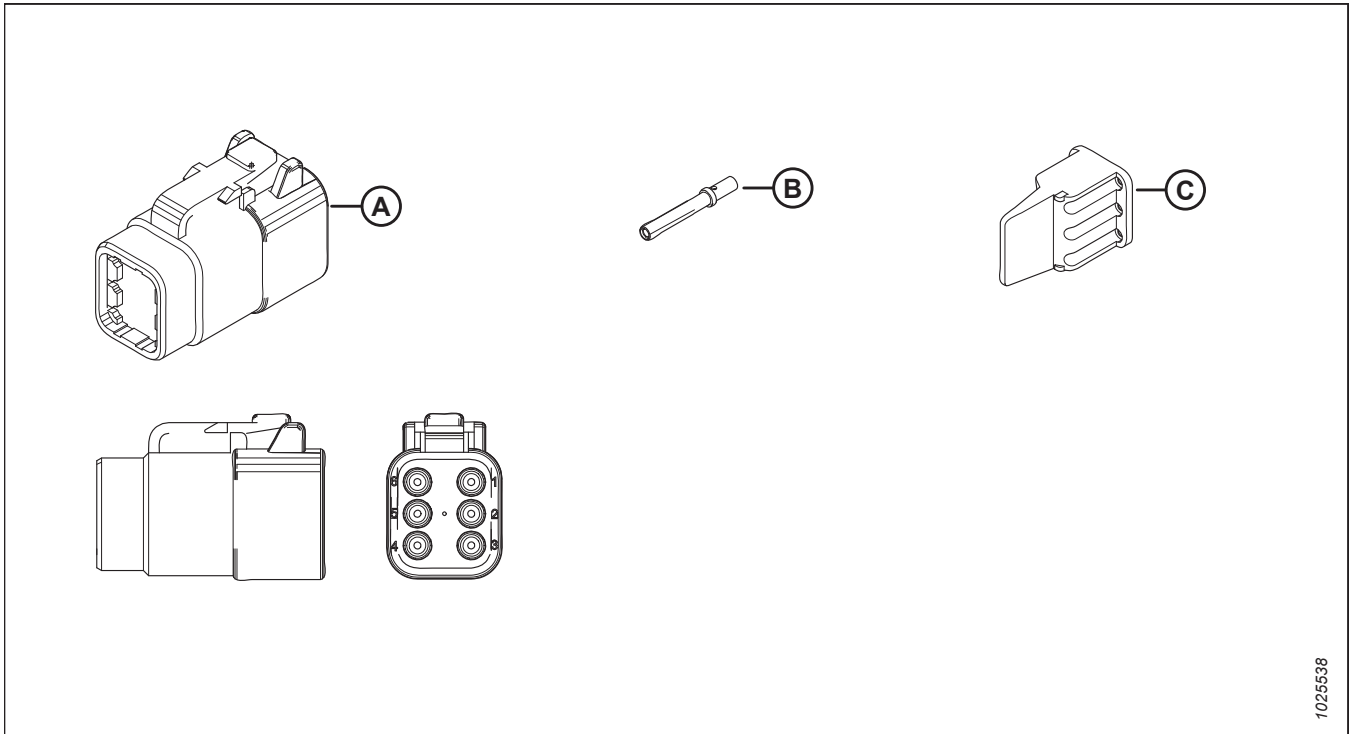
7.20



	MacDon Part #	Description	Manufacturer	Series	Manufacturer Part #
A		Connector – Receptacle	Deutsch	DT	DT04-6P-L012
B	134023	Terminal – Pin (16–18 ga)	Deutsch	Size 16	0460-202-16141 (nickel), 0460-202-1631 (gold)
C		Lock			W6P
		Secondary Lock			
		Seal			
		Mating Connector			
		Extraction Tool			
		Crimp Tool			
		Cavity Plug			
		Boots/Caps			

SIX-POSITION CONNECTORS

7.21

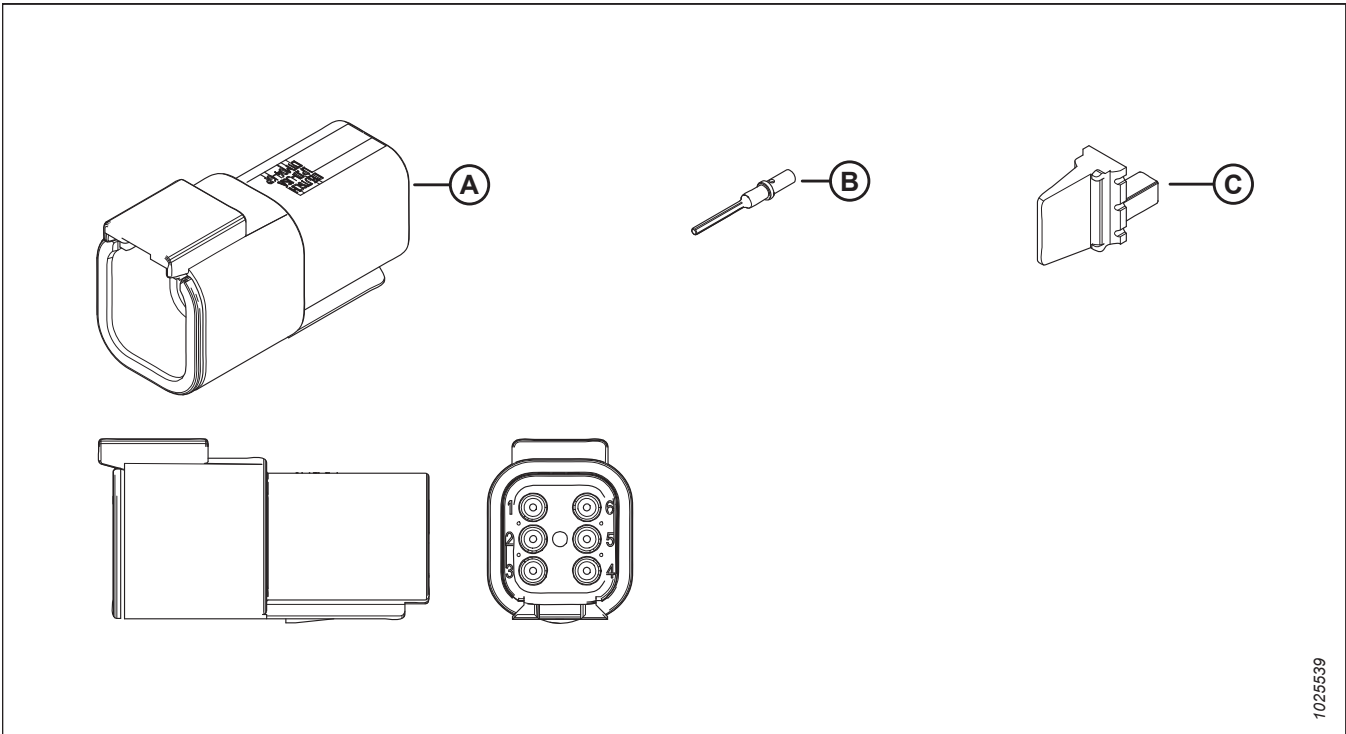


1025538

	MacDon Part #	Description	Manufacturer	Series	Manufacturer Part #
A		Connector – Plug	Deutsch	DT	DTM06-6S-E004
B	134017	Terminal – Socket		Size 20	0462-201-20141 (nickel), 0462-201-2031 (gold)
C		Lock			WM-6S
		Secondary Lock			
		Seal			
		Mating Connector	DTM04-6P-E004, DTM04-6P-E005		
		Extraction Tool			
		Crimp Tool			
		Cavity Plug			
		Boots/Caps	DTM6S-BT		

SIX-POSITION CONNECTORS

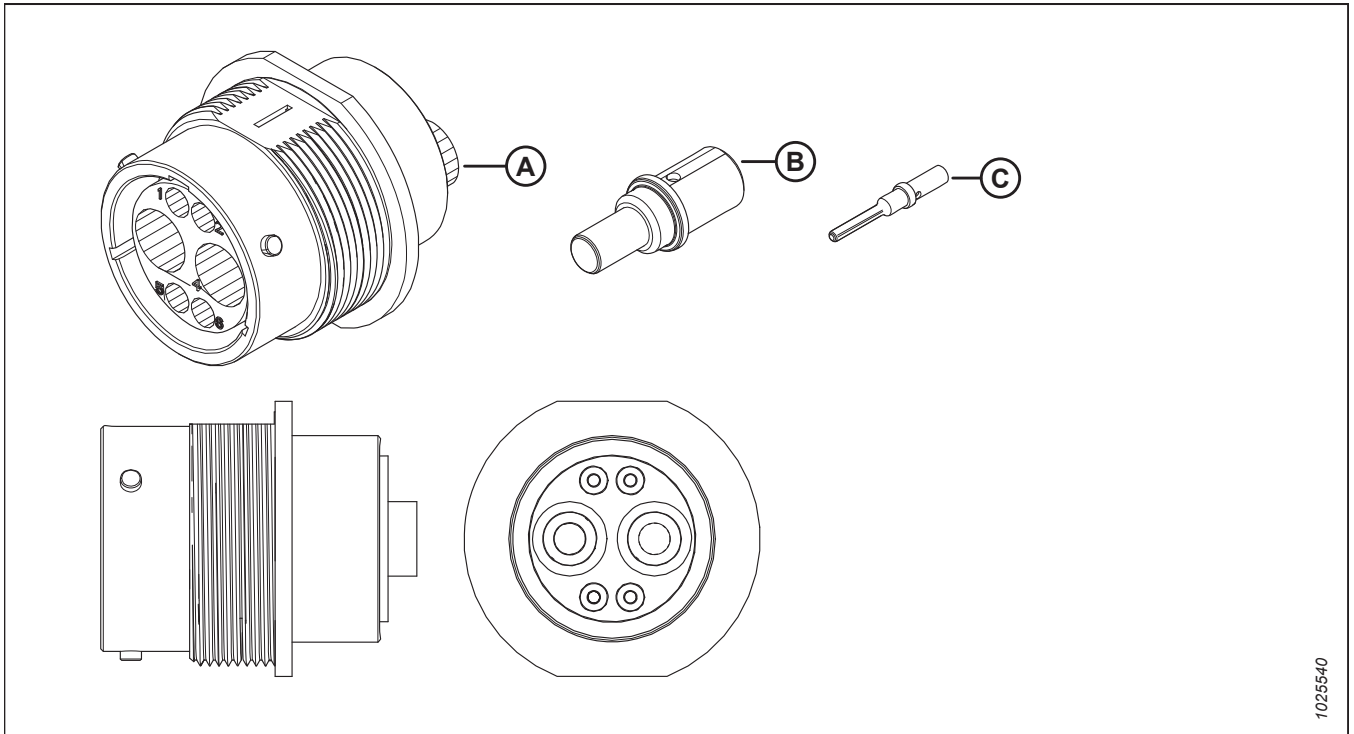
7.22



	MacDon Part #	Description	Manufacturer	Series	Manufacturer Part #
A		Connector – Receptacle	Deutsch	DT	DTM04-6P-E004
B	134016	Terminal – Pin		Size 20	0460-202-20141 (nickel), 0460-202-2031 (gold)
C		Lock			WM-6P
		Secondary Lock			
		Seal			
		Mating Connector	DTM06-6S-E004, DTM06-6S-E005, DTM06-6S-EE03		
		Extraction Tool			
		Crimp Tool			
		Cavity Plug			
		Boots/Caps	DTM6P-BT, 1011-026-0205, 1027-003-1200		

SIX-POSITION CONNECTORS

7.23

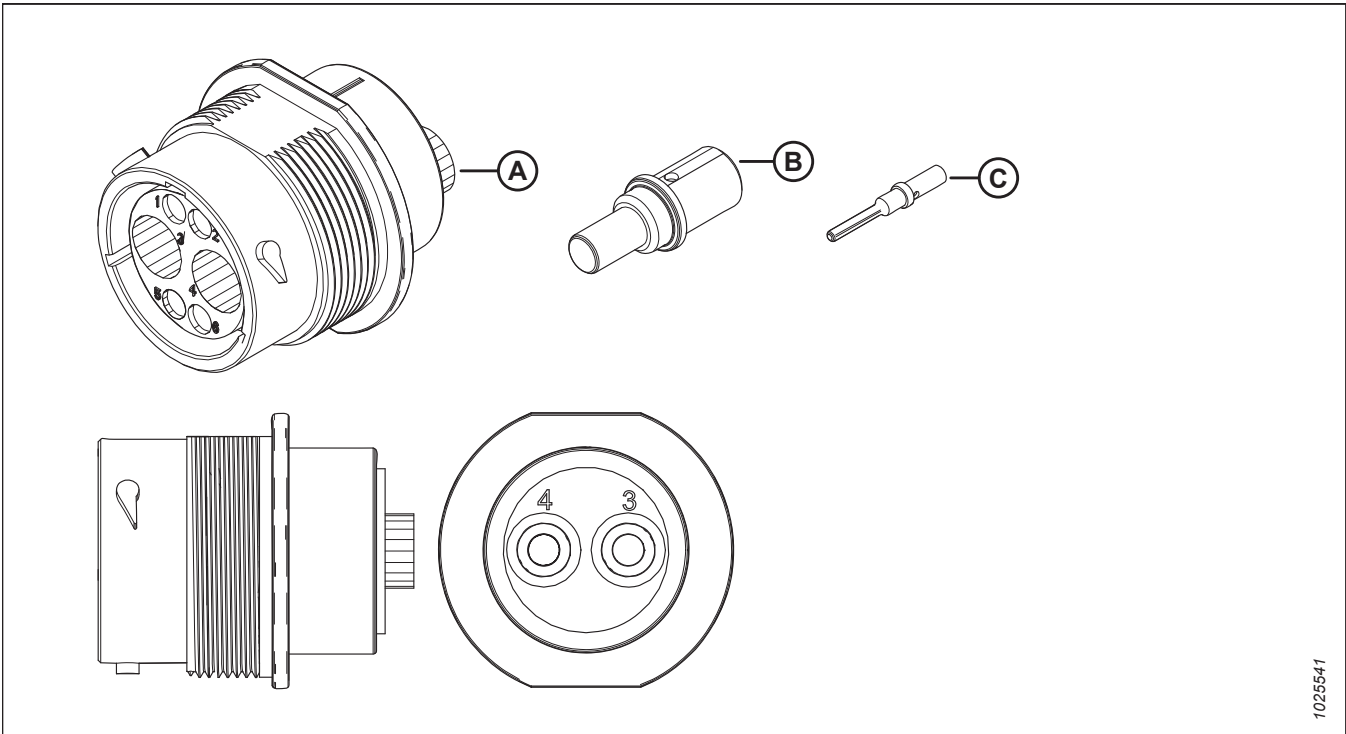


1025540

	MacDon Part #	Description	Manufacturer	Series	Manufacturer Part #
A		Connector – Receptacle	Deutsch	HD30	HD34-18-6PN
B		Terminal – Pin		Size 4	0460-204-0490 (nickel)
C	134023	Terminal – Pin		Size 16	0460-202-16141 (nickel), 0460-202-1631 (gold)
		Lock			
		Secondary Lock			
		Seal			
		Mating Connector			
		Extraction Tool			
		Crimp Tool			
		Cavity Plug			
		Boots/Caps			

SIX-POSITION CONNECTORS

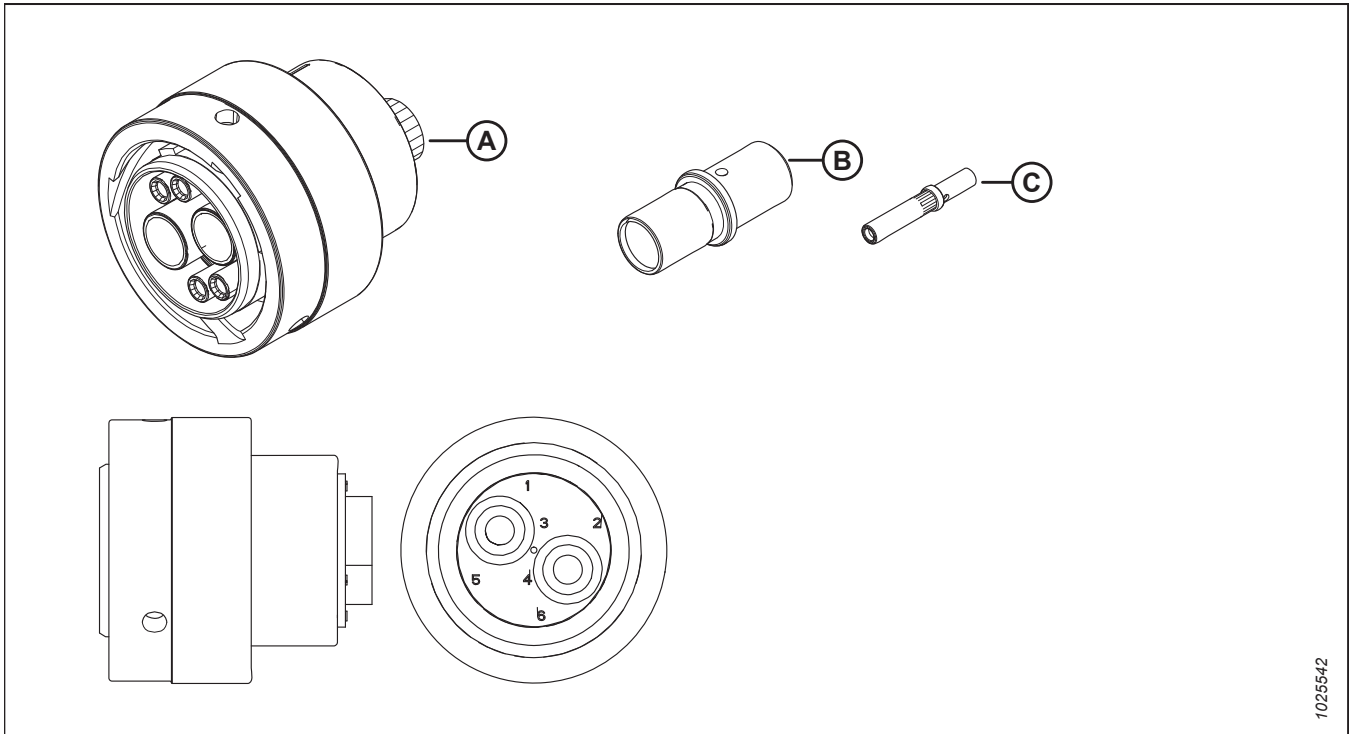
7.24



	MacDon Part #	Description	Manufacturer	Series	Manufacturer Part #
A		Connector – Receptacle	Deutsch	HDP20	HDP24-18-6PN-C030
B		Terminal – Pin		Size 4	0460-204-0490 (nickel)
C	134023	Terminal – Pin		Size 16	0460-202-16141 (nickel), 0460-202-1631 (gold)
		Lock			
		Secondary Lock			
		Seal			
		Mating Connector			
		Extraction Tool			
		Crimp Tool			
		Cavity Plug			
		Boots/Caps			

SIX-POSITION CONNECTORS

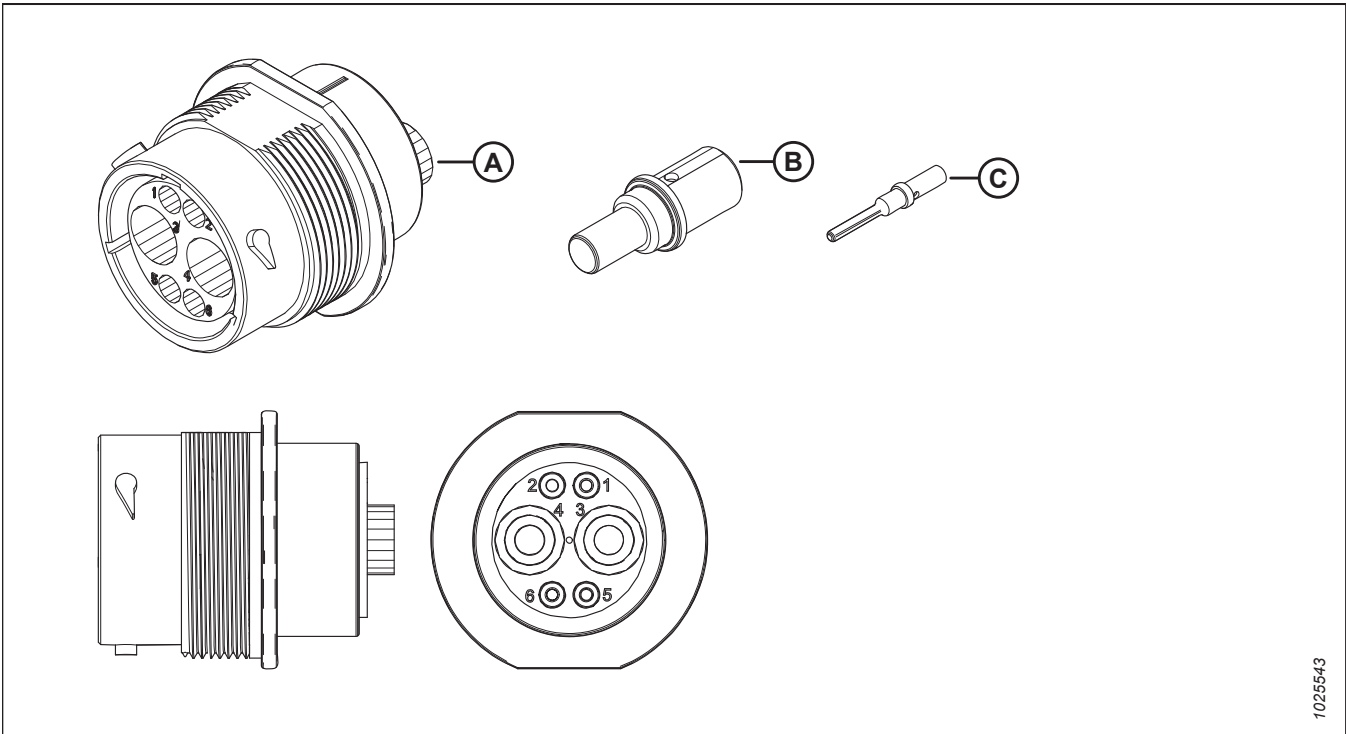
7.25



	MacDon Part #	Description	Manufacturer	Series	Manufacturer Part #
A		Connector – Plug	Deutsch	HDP20	HDP26-18-6SN-C030
B		Terminal – Socket		Size 4	0462-203-04141 (nickel)
C	134026	Terminal – Socket		Size 16	0462-201-16141 (nickel), 0462-201-1631 (gold)
		Lock			
		Secondary Lock			
		Seal			
		Mating Connector			
		Extraction Tool			
		Crimp Tool			
		Cavity Plug			
		Boots/Caps			

SIX-POSITION CONNECTORS

7.26

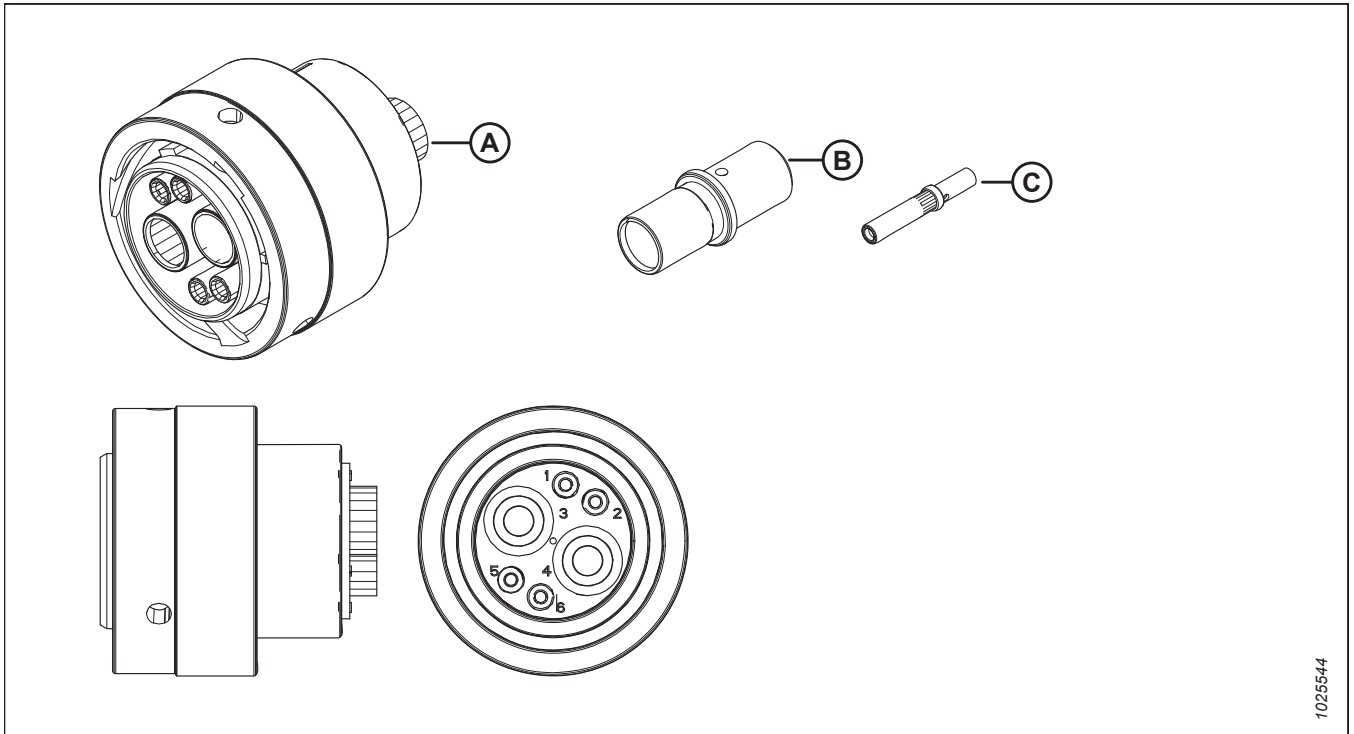


1025543

	MacDon Part #	Description	Manufacturer	Series	Manufacturer Part #
A		Connector – Receptacle	Deutsch	HDP20	HDP24-18-6PN
B		Terminal – Pin		Size 4	0460-204-0490 (nickel)
C	134023	Terminal – Pin		Size 16	0460-202-16141 (nickel), 0460-202-1631 (gold)
		Lock			
		Secondary Lock			
		Seal			
		Mating Connector			
		Extraction Tool			
		Crimp Tool			
		Cavity Plug			
		Boots/Caps			

SIX-POSITION CONNECTORS

7.27

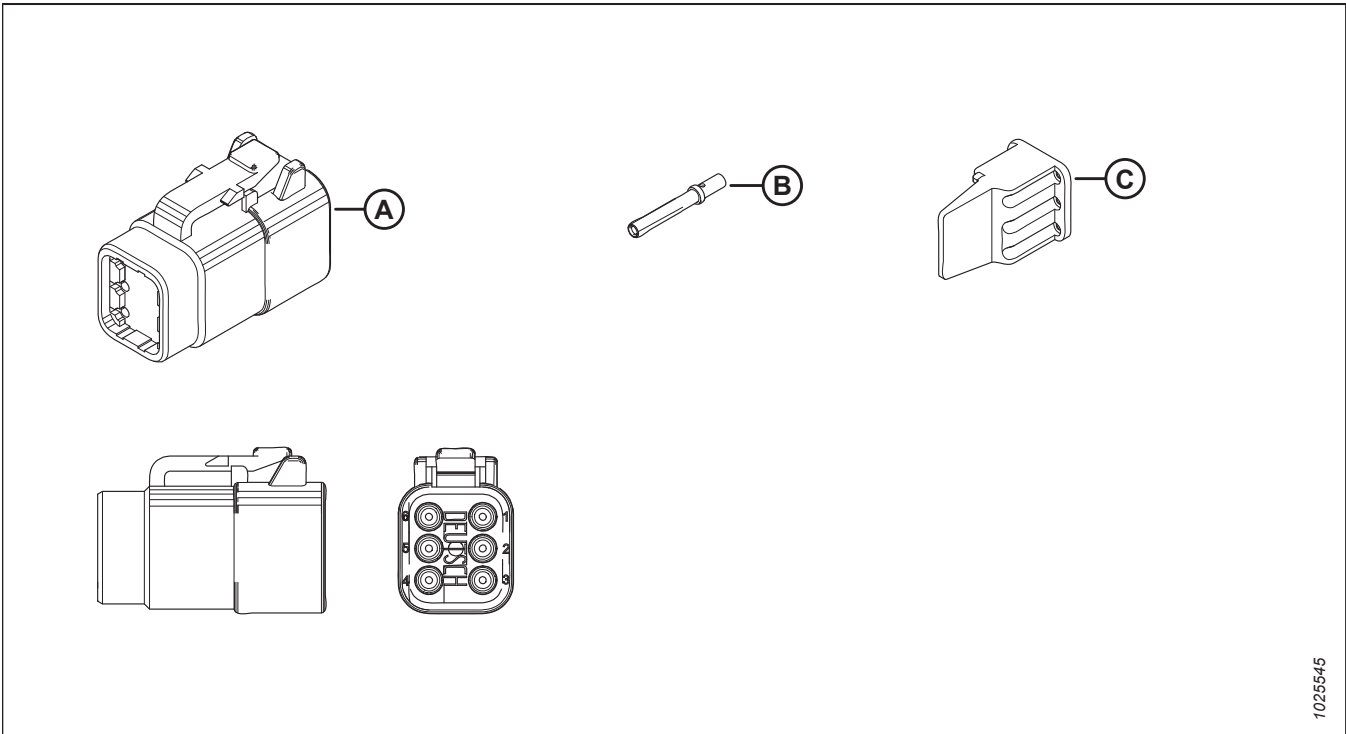


1025544

	MacDon Part #	Description	Manufacturer	Series	Manufacturer Part #
A		Connector – Plug	Deutsch	HDP20	HDP26-18-6SN
B		Terminal – Socket		Size 4	0462-203-04141 (nickel)
C	134026	Terminal – Socket		Size 16	0462-201-16141 (nickel), 0462-201-1631 (gold)
		Lock			
		Secondary Lock			
		Seal			
		Mating Connector			
		Extraction Tool			
		Crimp Tool			
		Cavity Plug			
		Boots/Caps			

SIX-POSITION CONNECTORS

7.28

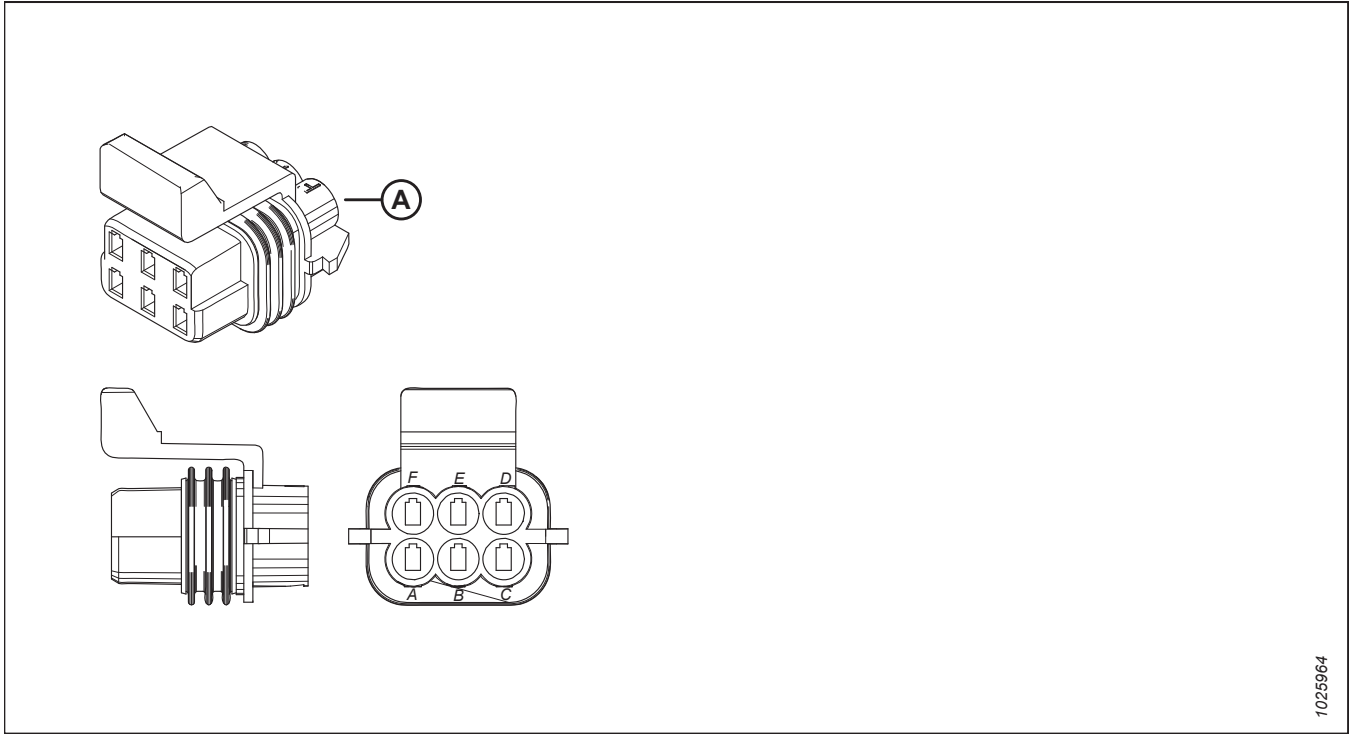


1025545

	MacDon Part #	Description	Manufacturer	Series	Manufacturer Part #
A		Connector – Socket	Deutsch	DT	DTM06-6S
B	134017	Terminal – Socket		Size 20	0462-201-20141 (nickel), 0462-201-2031 (gold)
C		Lock		WM	WM-65
		Secondary Lock			
		Seal			
		Mating Connector			
		Extraction Tool			
		Crimp Tool			
		Cavity Plug			
		Boots/Caps			

SIX-POSITION CONNECTORS

7.29

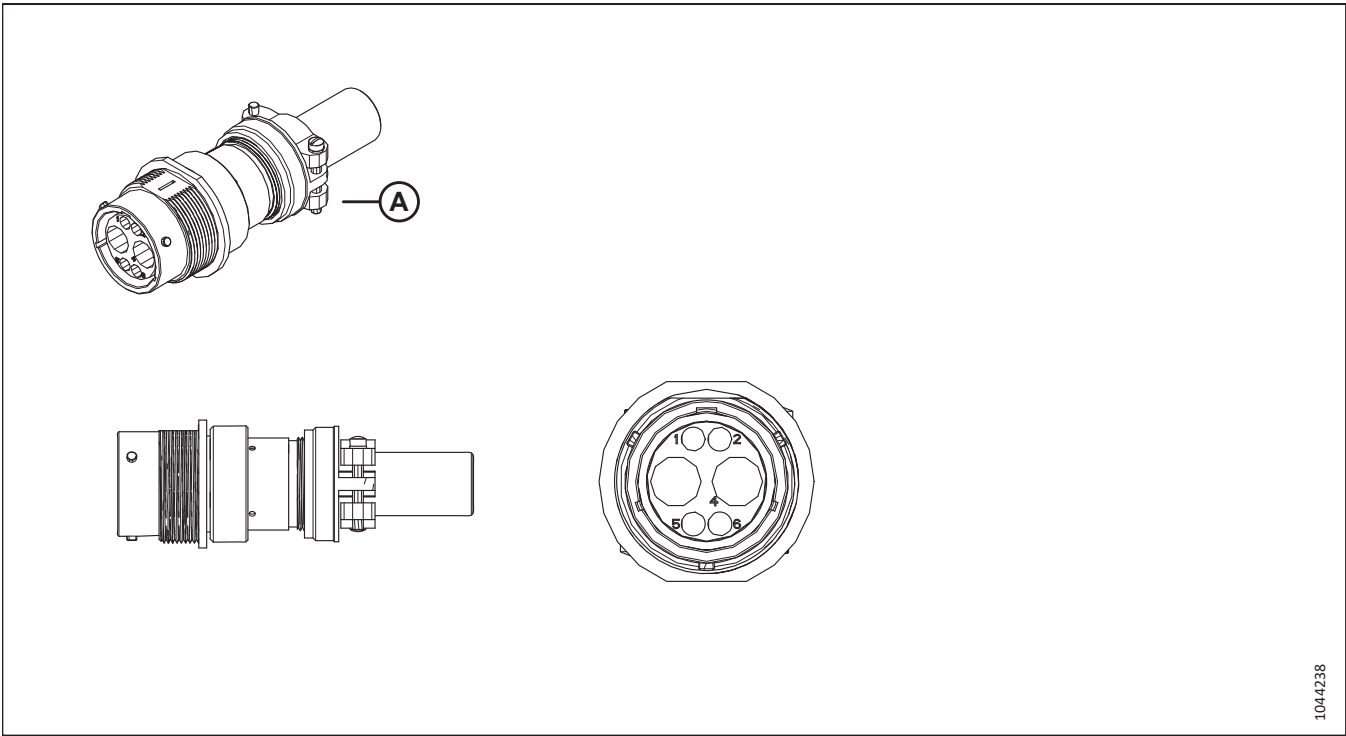


1025964

	MacDon Part #	Description	Manufacturer	Series	Manufacturer Part #
A		Connector – Plug	Delphi	Metri-Pack 150	12052848
		Terminal			
		Lock			
		Secondary Lock			
		Seal			
		Mating Connector			
		Extraction Tool			
		Crimp Tool			
		Cavity Plug			
		Boots/Caps			

SIX-POSITION CONNECTORS

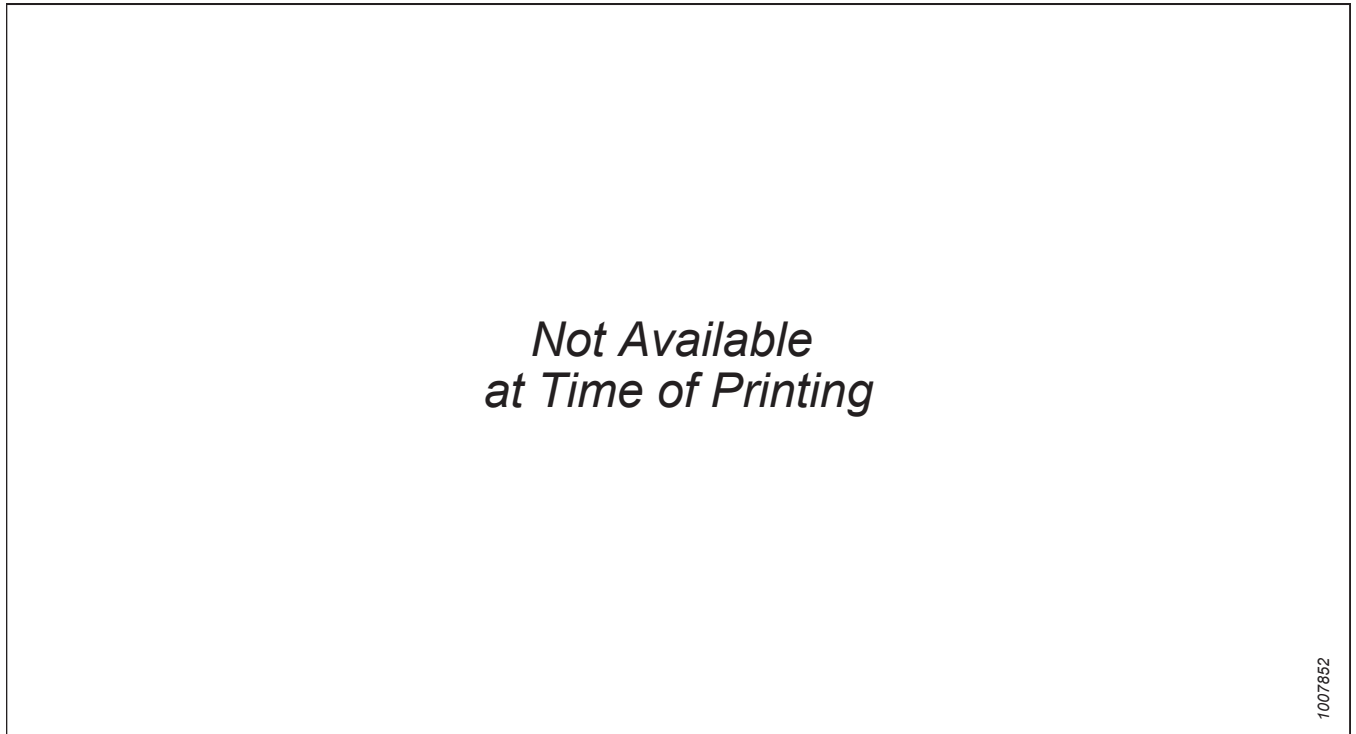
7.30



1044238

	MacDon Part #	Description	Manufacturer	Series	Manufacturer Part #
A		Connector – Receptacle	Deutsch	HD30	HD34-18-6PN-059
		Terminal			
		Lock			
		Secondary Lock			
		Seal			
		Mating Connector			
		Extraction Tool			
		Crimp Tool			
		Cavity Plug			
		Boots/Caps			

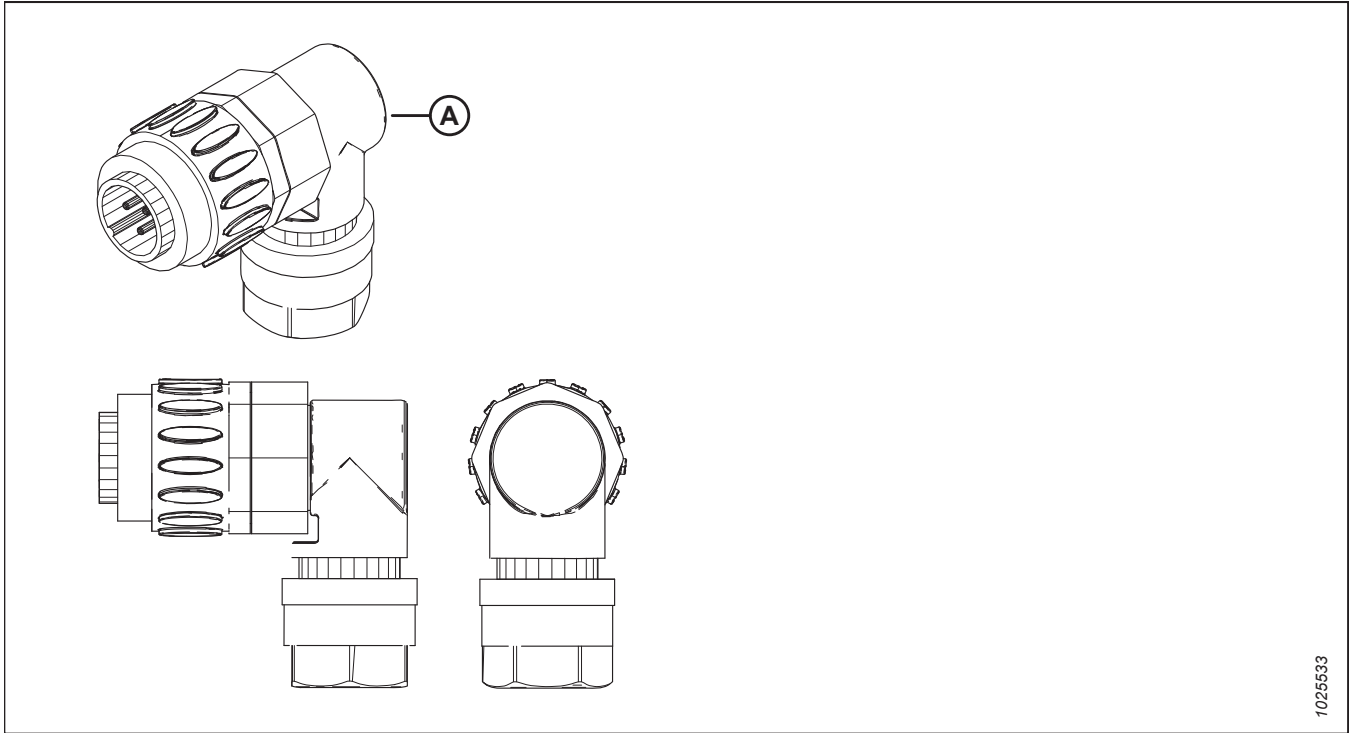
7.31



	MacDon Part #	Description	Manufacturer	Series	Manufacturer Part #
A		Connector – Plug (GRAY Insert)	Tyco	Ampseal 16	776531-2
		Terminal			
		Lock			
		Secondary Lock			
		Seal			
		Mating Connector			
		Extraction Tool			
		Crimp Tool			
		Cavity Plug			
		Boots/Caps			

Chapter 8: Seven-Position Connectors

8.1

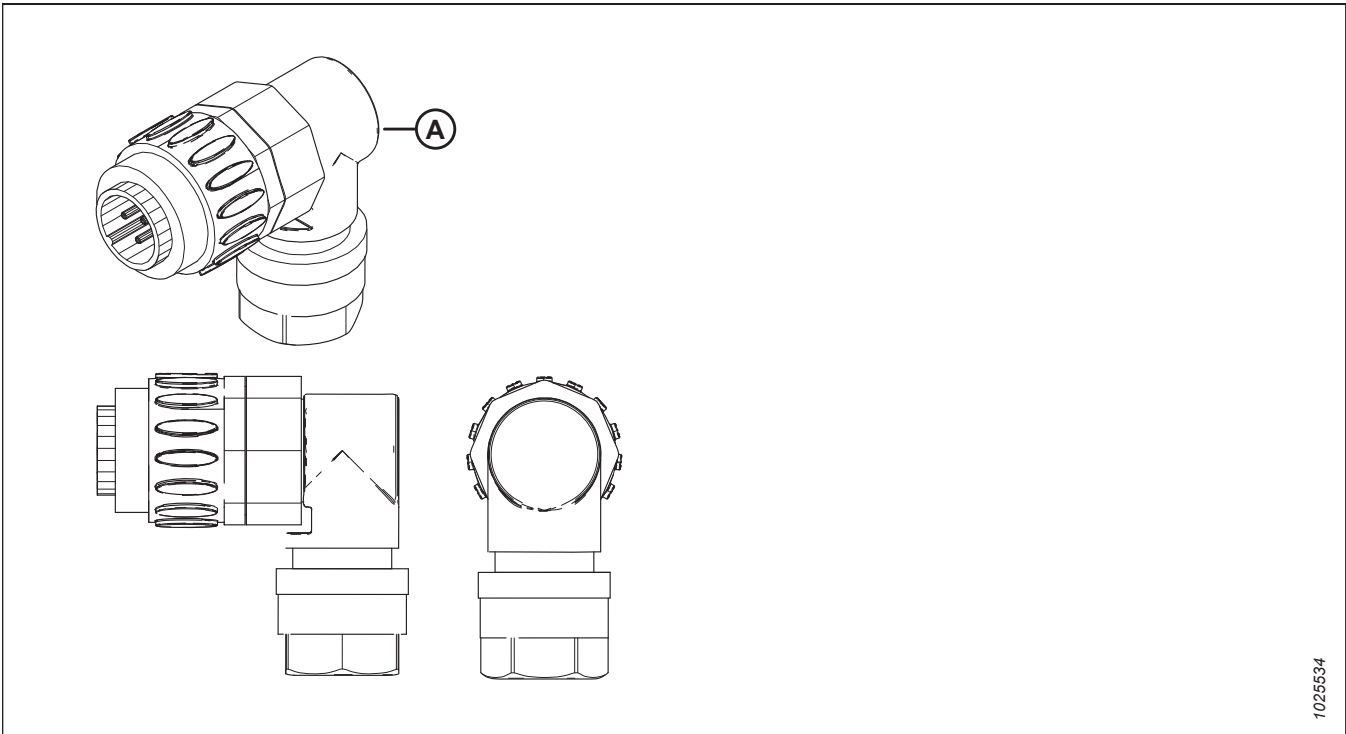


1025533

	MacDon Part #	Description	Manufacturer	Series	Manufacturer Part #
A		Connector – Plug	Amphenol	Eco Mate	C01610K00600010
		Terminal			
		Lock			
		Secondary Lock			
		Seal			
		Mating Connector			
		Extraction Tool			
		Crimp Tool			
		Cavity Plug			
		Boots/Caps			

SEVEN-POSITION CONNECTORS

8.2

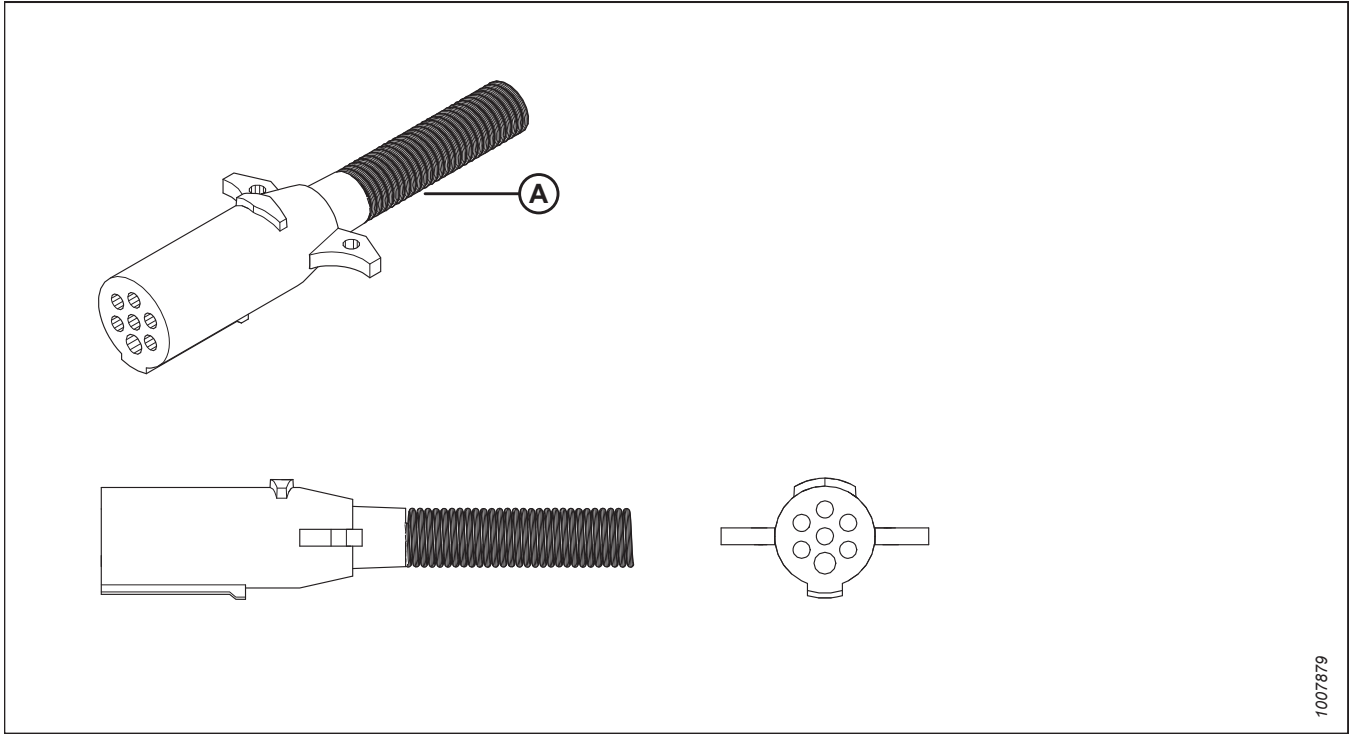


1025534

	MacDon Part #	Description	Manufacturer	Series	Manufacturer Part #
A		Connector – Plug	Amphenol	Eco Mate	C01610K00600012
		Terminal			
		Lock			
		Secondary Lock			
		Seal			
		Mating Connector			
		Extraction Tool			
		Crimp Tool			
		Cavity Plug			
		Boots/Caps			

SEVEN-POSITION CONNECTORS

8.3

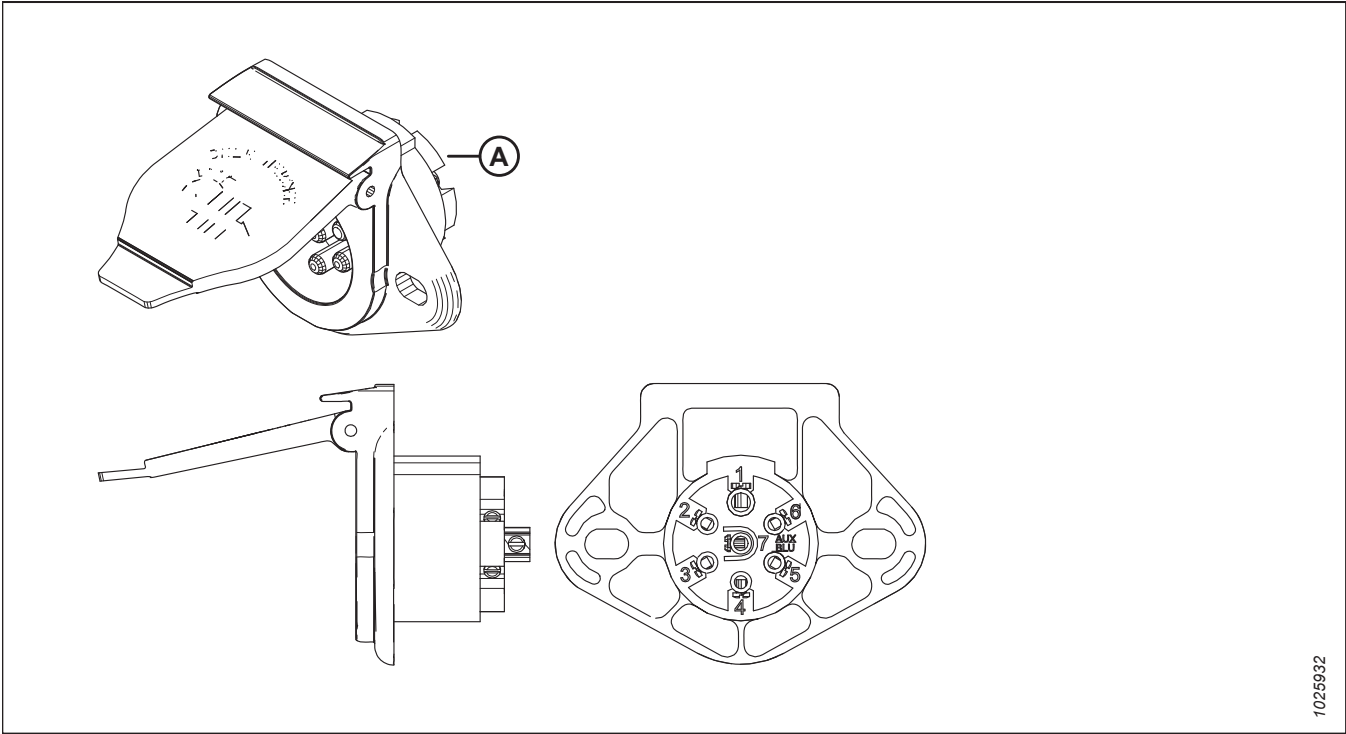


1007879

	MacDon Part #	Description	Manufacturer	Series	Manufacturer Part #
A	30710	Connector – Trailer Plug	Cole-Hersee Pollak		12082 11-710
		Mating Connector	Cole-Hersee 12080, Pollak 11-723		
		Extraction Tool			
		Crimp Tool			

SEVEN-POSITION CONNECTORS

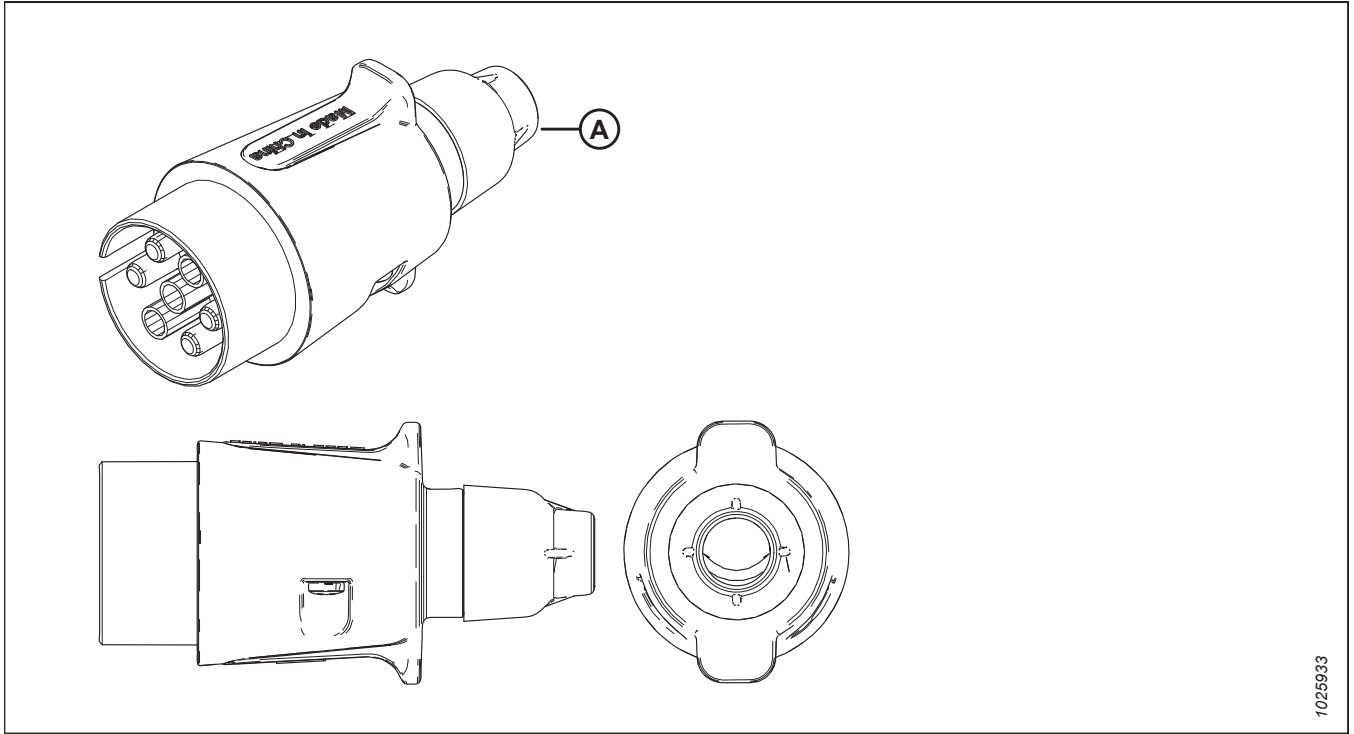
8.4



	MacDon Part #	Description	Manufacturer	Series	Manufacturer Part #
A	30461	Connector – Trailer Socket	Cole-Hersee Pollak		12080 11-723
		Mating Connector	Cole-Hersee 12082, Pollak 11-710		
		Extraction Tool			
		Crimp Tool			

SEVEN-POSITION CONNECTORS

8.5

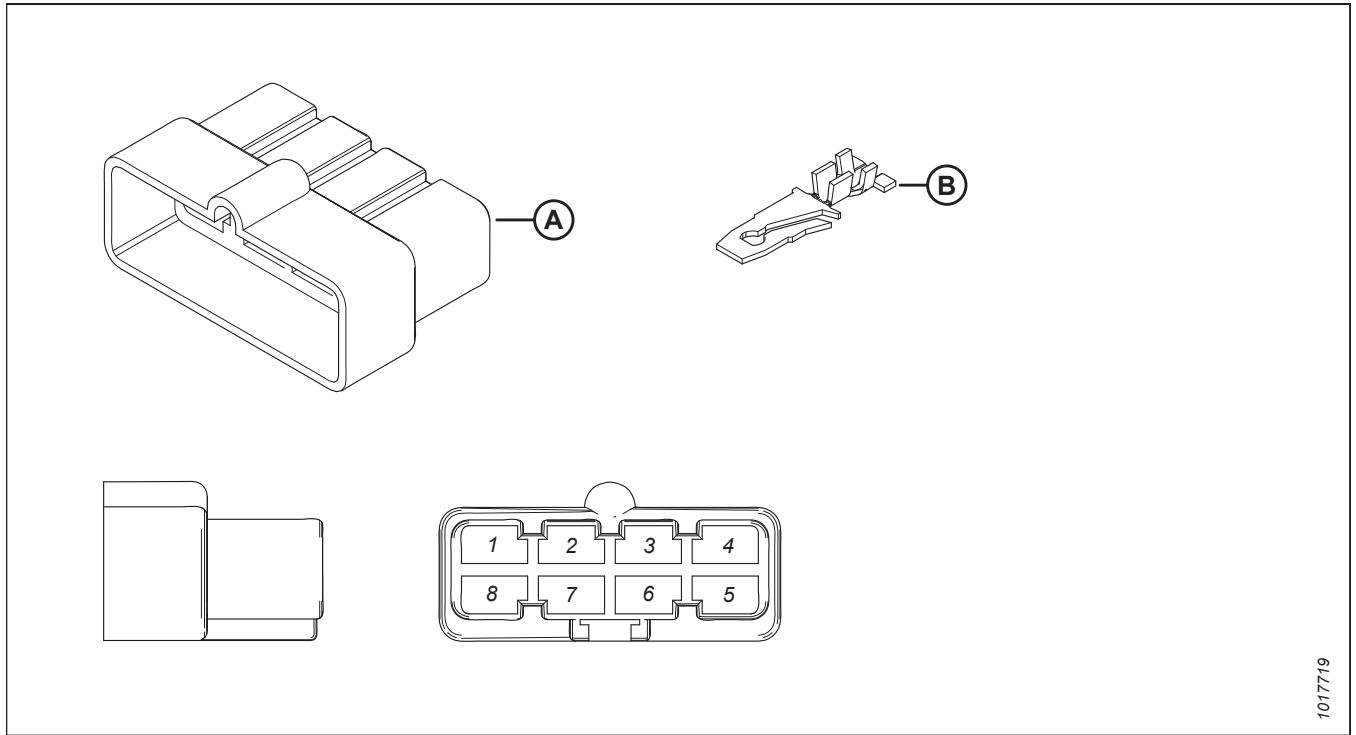


1025933

	MacDon Part #	Description	Manufacturer	Series	Manufacturer Part #
A		Connector – Electrical	Bosch		0-352-170-003
		Terminal			
		Lock			
		Secondary Lock			
		Seal			
		Mating Connector			
		Extraction Tool			
		Crimp Tool			
		Cavity Plug			
		Boots/Caps			

Chapter 9: Eight-Position Connectors

9.1

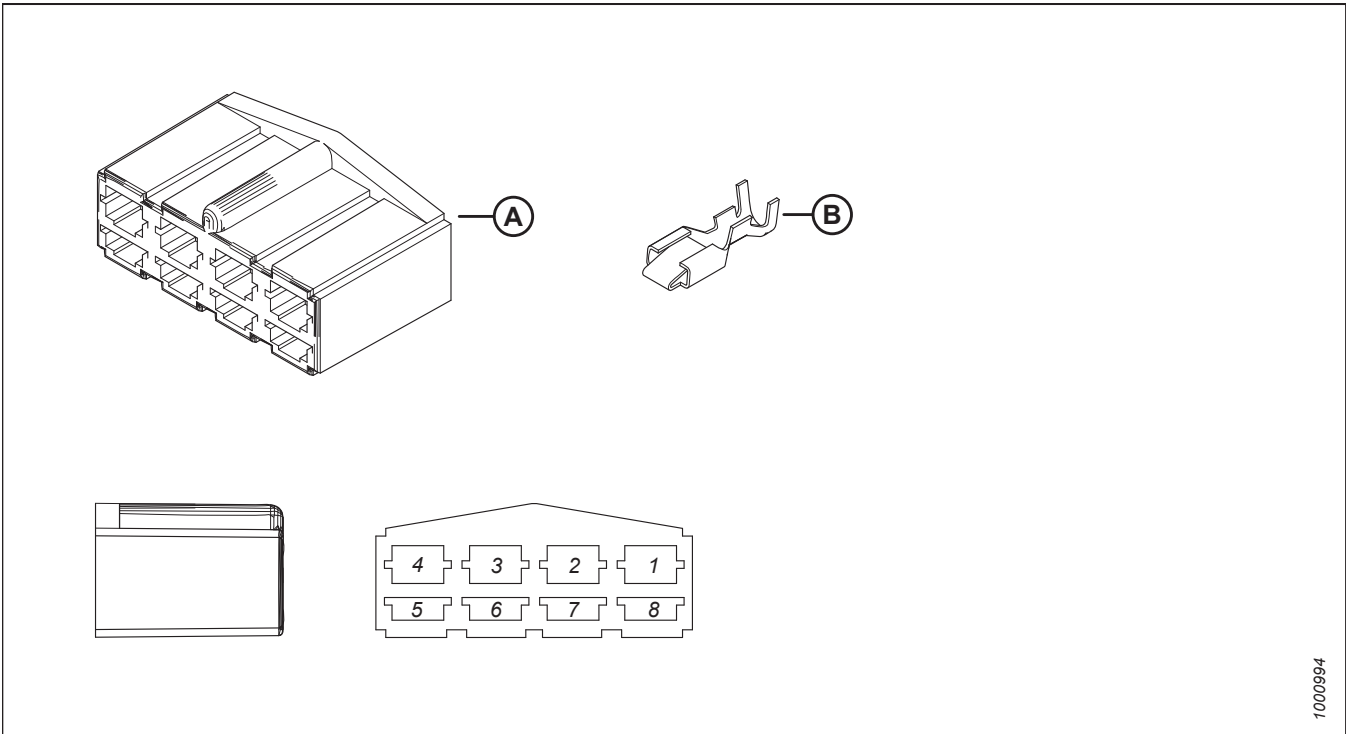


1017719

	MacDon Part #	Description	Manufacturer	Series	Manufacturer Part #
A		Connector – Plug	Delphi	56	2965972
B	134112	Terminal – Tab	Delphi	56	12010106 8917283 2965481
		Mating Connector		2965446	
	134159	Extraction Tool		12094430	
		Crimp Tool			

EIGHT-POSITION CONNECTORS

9.2

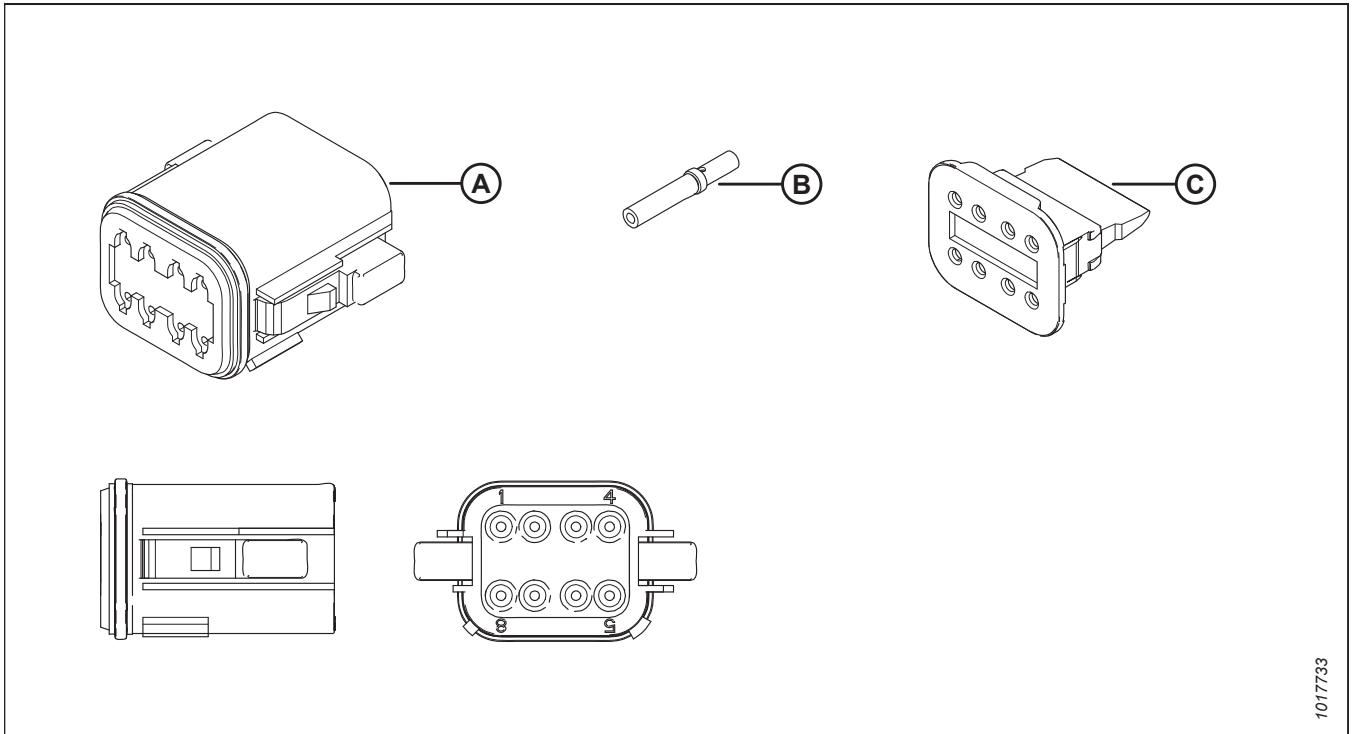


1000994

	MacDon Part #	Description	Manufacturer	Series	Manufacturer Part #
A		Connector – Receptacle	Delphi	56	2965446
B		Terminal – Receptacle	Delphi	56	12124517
		Mating Connector		2965972	
		Extraction Tool			
		Crimp Tool			

EIGHT-POSITION CONNECTORS

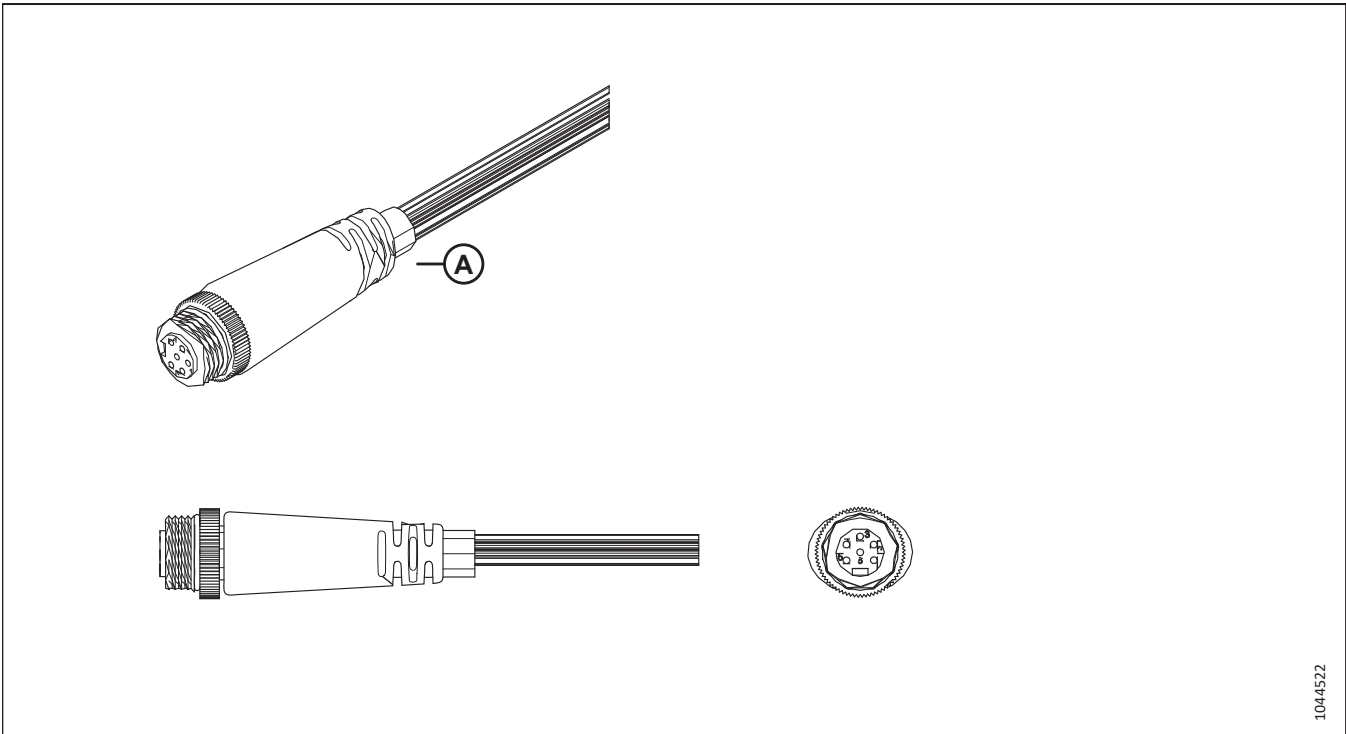
9.3



	MacDon Part #	Description	Manufacturer	Series	Manufacturer Part #
A		Connector – Plug (14–20 ga)	Deutsch	DT	DT06-08SA-P012
B	134026	Terminal – Socket	Deutsch	Size 16	0462-201-16141 (nickel), 0462-201-1631 (gold)
C		Lock	Deutsch	DT	W8S-P012
		Mating Connector	DT04-08PA-E004		
		Extraction Tool			
		Crimp Tool			

EIGHT-POSITION CONNECTORS

9.4

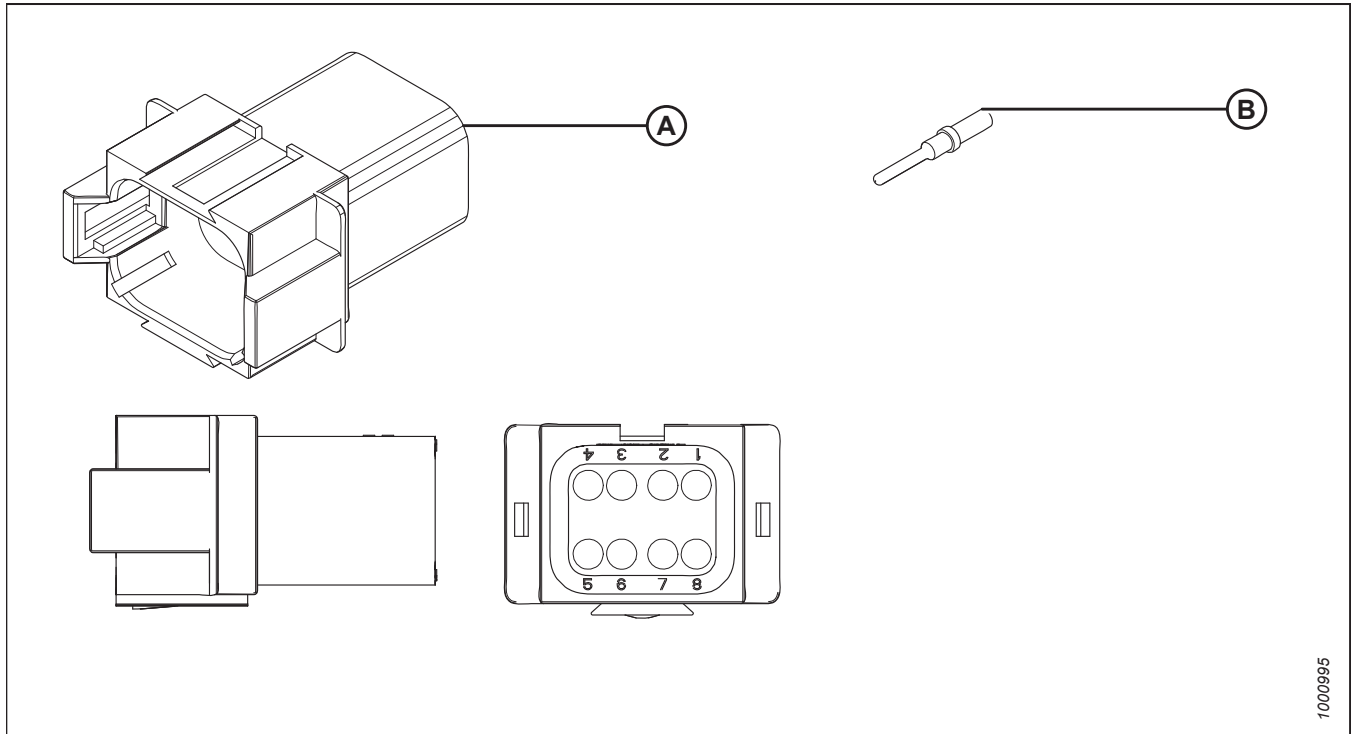


1044522

	MacDon Part #	Description	Manufacturer	Series	Manufacturer Part #
A		Connector – Plug	Sinbon		A9149427
		Terminal			
		Lock			
		Secondary Lock			
		Seal			
		Mating Connector			
		Extraction Tool			
		Crimp Tool			
		Cavity Plug			
		Boots/Caps			

EIGHT-POSITION CONNECTORS

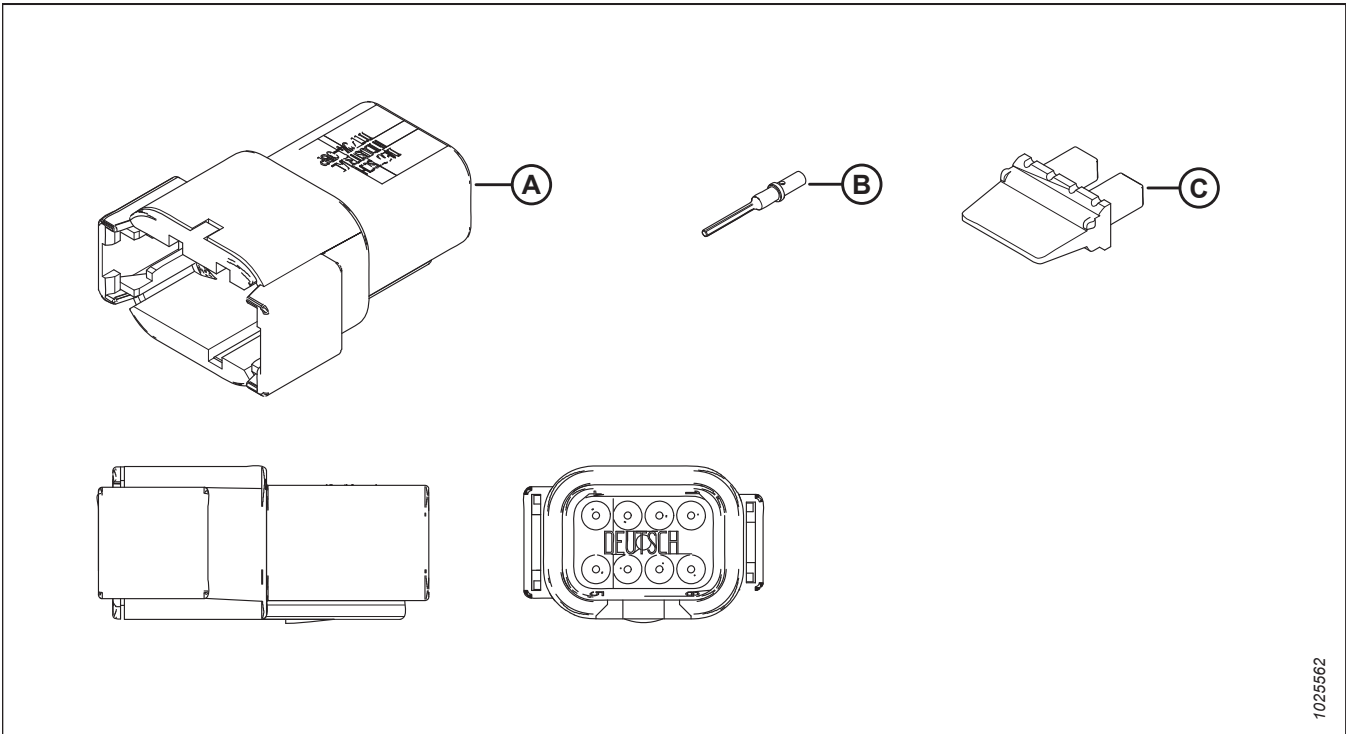
9.5



	MacDon Part #	Description	Manufacturer	Series	Manufacturer Part #
A		Connector – Receptacle (14–20 ga)	Deutsch	DT	DT04-08PA-E004
B	134023	Terminal – Pin	Deutsch	Size 16	0460-202-16141 (nickel), 0460-202-1631 (gold)
		Lock			
		Mating Connector	DT06-08SA-P012		
		Extraction Tool			
	134015	Crimp Tool	HDT-48-00		

EIGHT-POSITION CONNECTORS

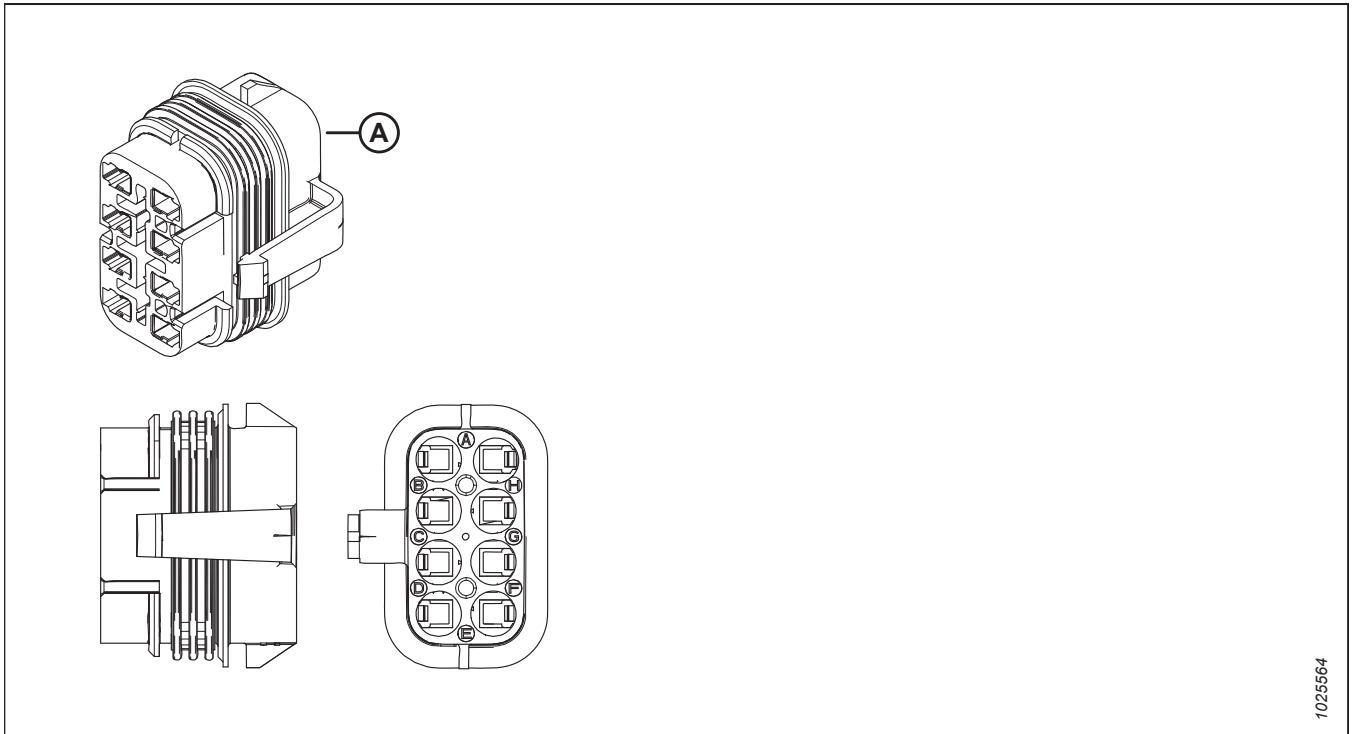
9.6



	MacDon Part #	Description	Manufacturer	Series	Manufacturer Part #
A		Connector – Receptacle	Deutsch	DTM	DTM04-08PA-EE04
B	134016	Terminal – Pin		Size 20	0460-202-20141 (nickel), 0460-202-2031 (gold)
C		Lock			WM-8P
		Secondary Lock			
		Seal			
		Mating Connector			
		Extraction Tool			
		Crimp Tool			
		Cavity Plug			
		Boots/Caps			

EIGHT-POSITION CONNECTORS

9.7

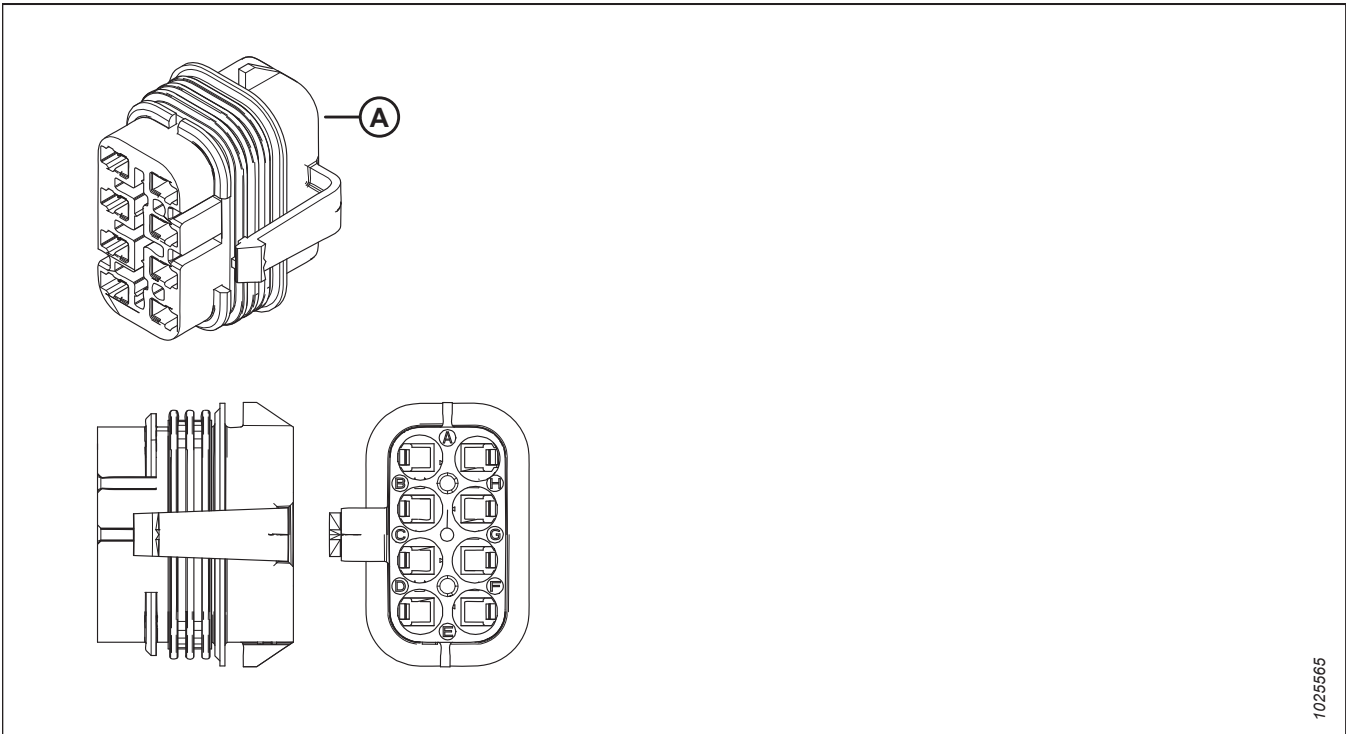


1025564

	MacDon Part #	Description	Manufacturer	Series	Manufacturer Part #
A		Connector – Plug (BLACK Body)	Cooper Bussmann	32000	32006-A22
		Terminal			12084201, 12077411, 12077412, 12129493, 12077413
		Lock			32006-TP2
		Secondary Lock			
		Seal			12010293, 12015323, 15324981, 12089679, 12015899
		Mating Connector			
		Extraction Tool			
		Crimp Tool			
		Cavity Plug			
		Boots/Caps			

EIGHT-POSITION CONNECTORS

9.8

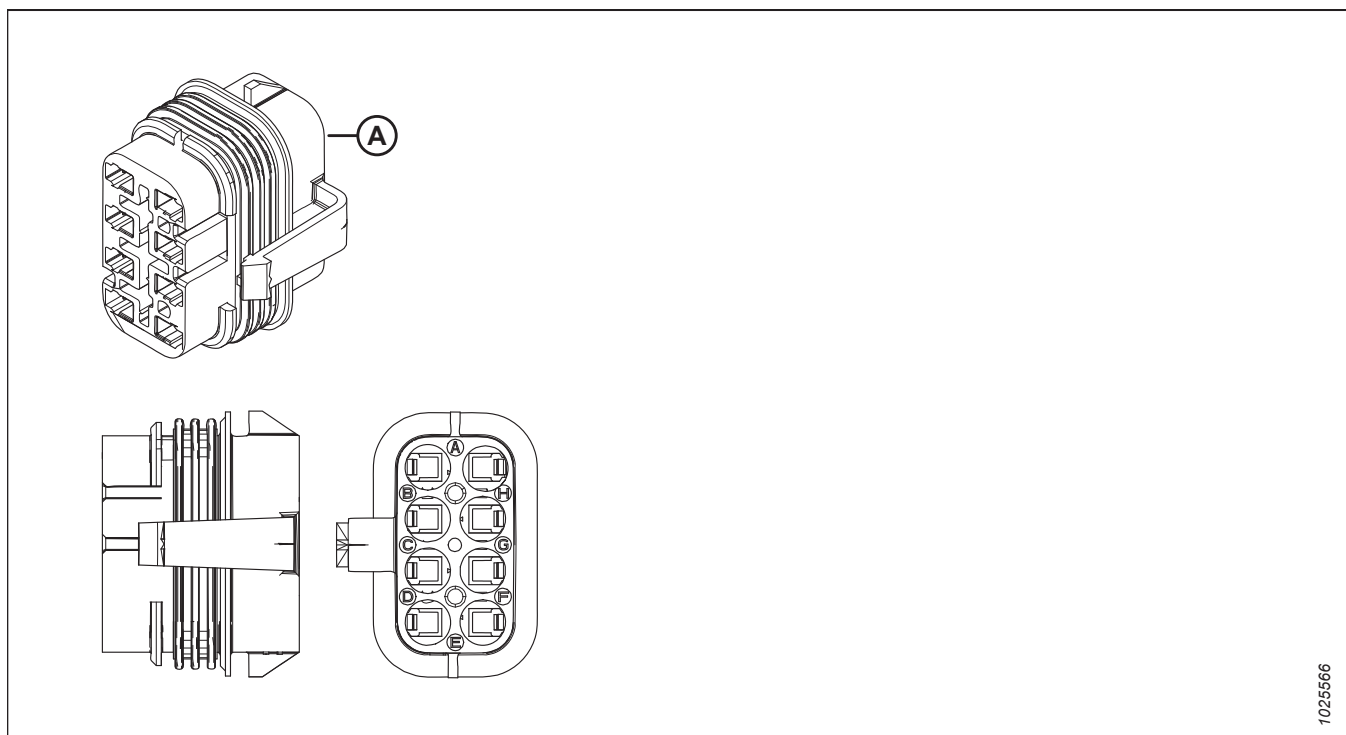


1025565

	MacDon Part #	Description	Manufacturer	Series	Manufacturer Part #
A		Connector – Plug (GRAY Body)	Cooper Bussmann	32000	32006-B22
		Terminal			12084201, 12077411, 12077412, 12129493, 12077413
		Lock			32006-TP2
		Secondary Lock			
		Seal			12010293, 12015323, 15324981, 12089679, 12015899
		Mating Connector			
		Extraction Tool			
		Crimp Tool			
		Cavity Plug			
		Boots/Caps			

EIGHT-POSITION CONNECTORS

9.9

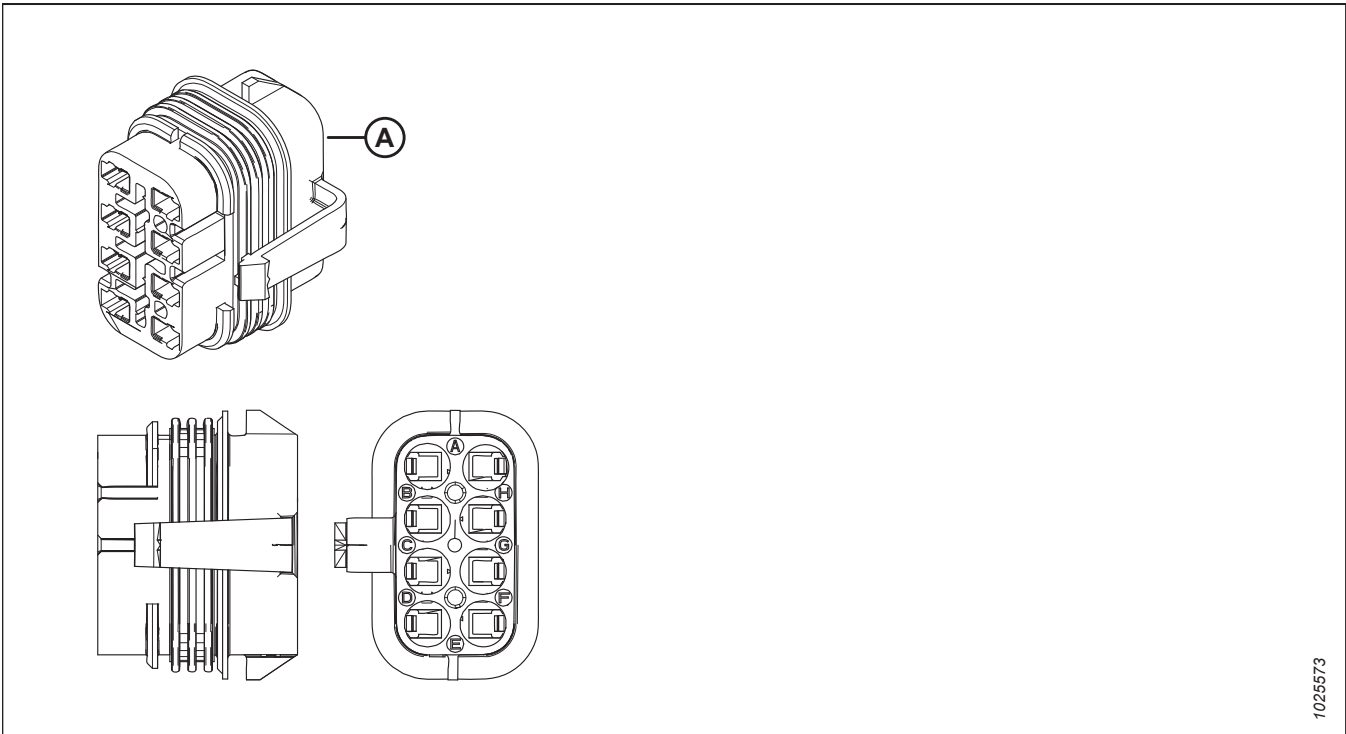


1025566

	MacDon Part #	Description	Manufacturer	Series	Manufacturer Part #
A		Connector – Plug (GREEN Body)	Cooper Bussmann	32000	32006-C22
		Terminal			12084201, 12077411, 12077412, 12129493, 12077413
		Lock			32006-TP2
		Secondary Lock			
		Seal			12010293, 12015323, 15324981, 12089679, 12015899
		Mating Connector			
		Extraction Tool			
		Crimp Tool			
		Cavity Plug			
		Boots/Caps			

EIGHT-POSITION CONNECTORS

9.10

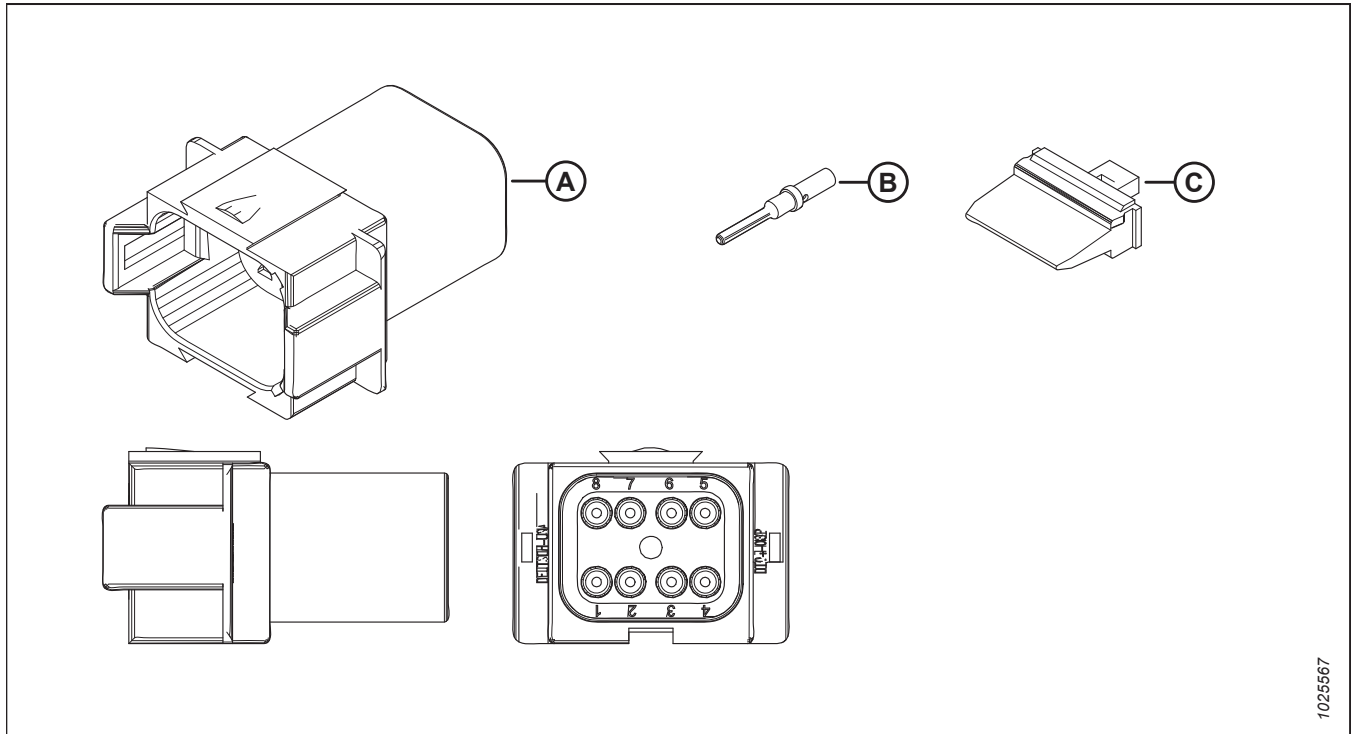


1025573

	MacDon Part #	Description	Manufacturer	Series	Manufacturer Part #
A		Connector – Plug (BLUE Body)	Cooper Bussmann	32000	32006-D22
		Terminal			12084201, 12077411, 12077412, 12129493, 12077413
		Lock			32006-TP2
		Secondary Lock			
		Seal			12010293, 12015323, 15324981, 12089679, 12015899
		Mating Connector			
		Extraction Tool			
		Crimp Tool			
		Cavity Plug			
		Boots/Caps			

EIGHT-POSITION CONNECTORS

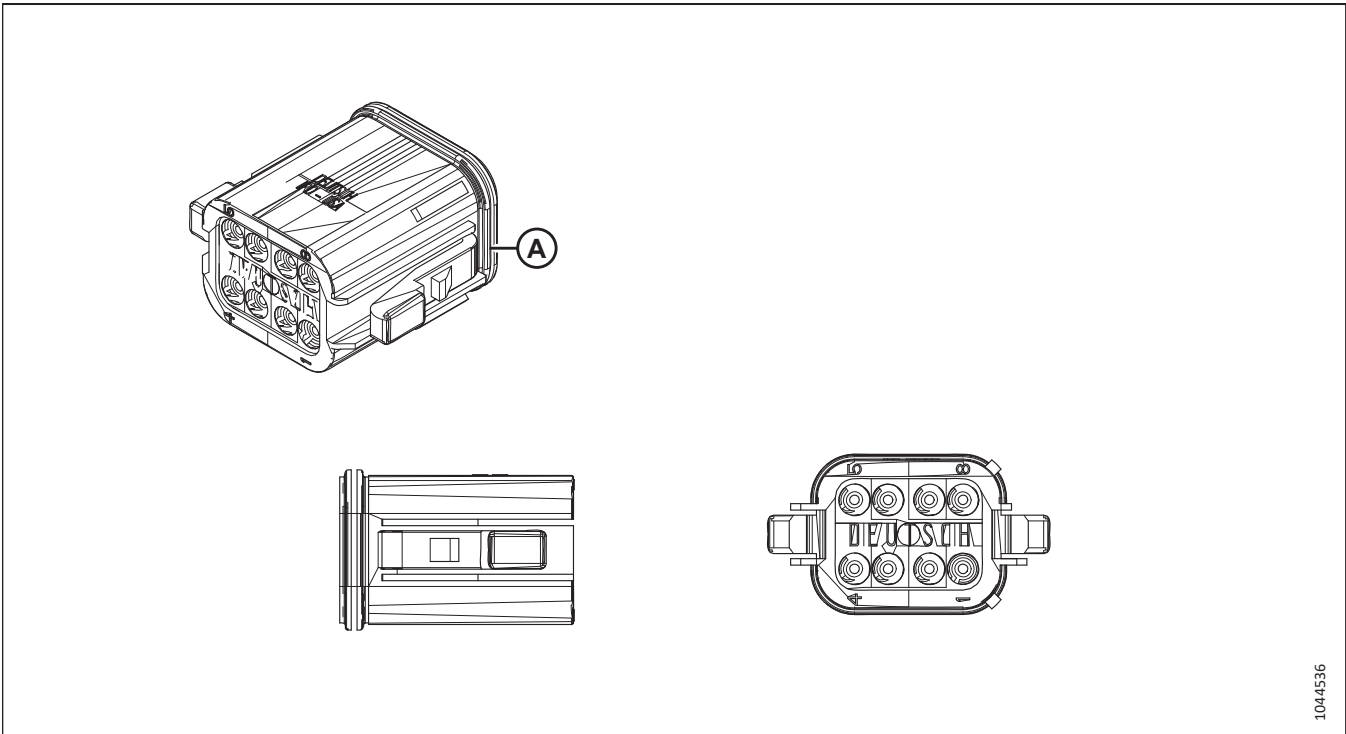
9.11



	MacDon Part #	Description	Manufacturer	Series	Manufacturer Part #
A		Connector – Receptacle	Deutsch	DT	DT04-08PB
B	134023	Terminal – Pin		Size 16	0460-202-16141 (nickel), 0460-202-1631 (gold)
C		Lock			W8P
		Secondary Lock			
		Seal			
		Mating Connector		DT06-08SB	
		Extraction Tool			
		Crimp Tool			
		Cavity Plug			
		Boots/Caps			DT8P-BT, 1011-027-0805, 1011-245-0805, 1027-001-0800

EIGHT-POSITION CONNECTORS

9.12

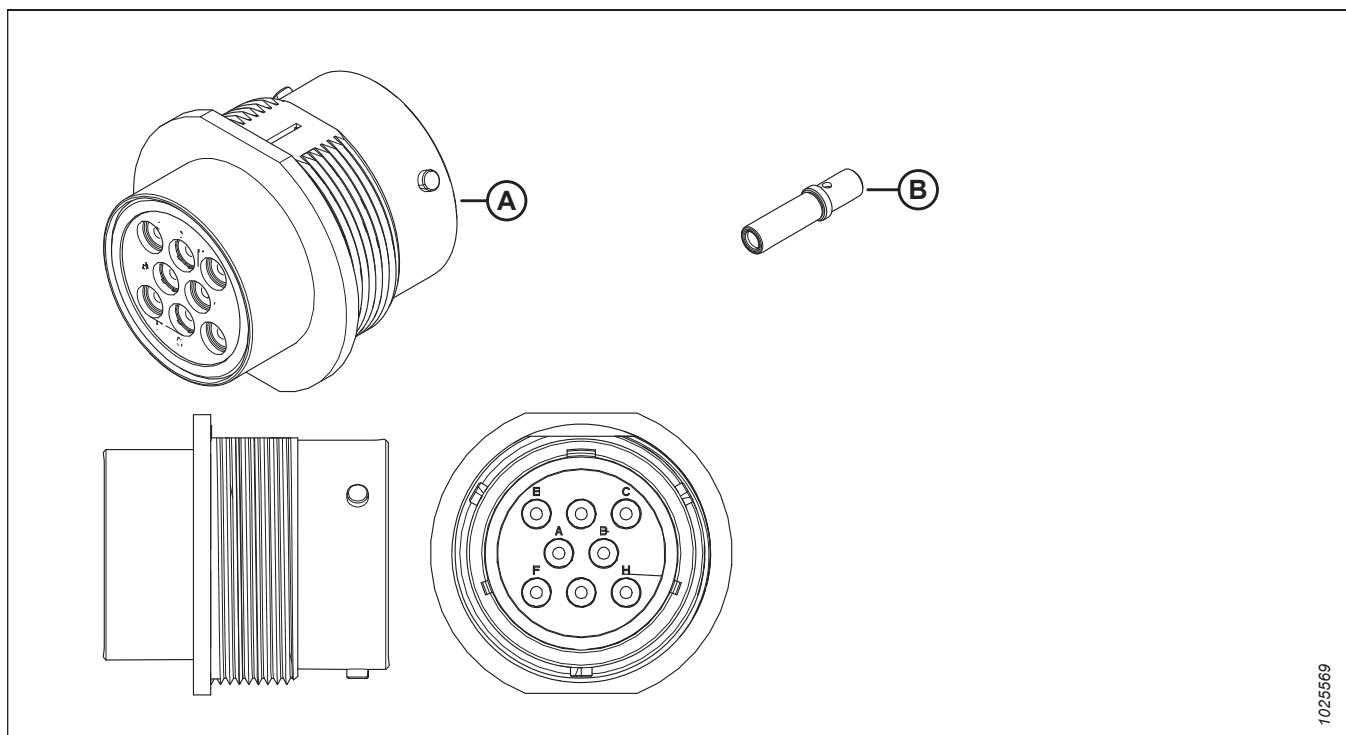


1044536

	MacDon Part #	Description	Manufacturer	Series	Manufacturer Part #
A		Connector – Plug	Deutsch	DT	DT06-08SB-P012
		Terminal – Socket			
		Lock			
		Secondary Lock			
		Seal			
		Mating Connector			
		Extraction Tool			
		Crimp Tool			
		Cavity Plug			
		Boots/Caps			

EIGHT-POSITION CONNECTORS

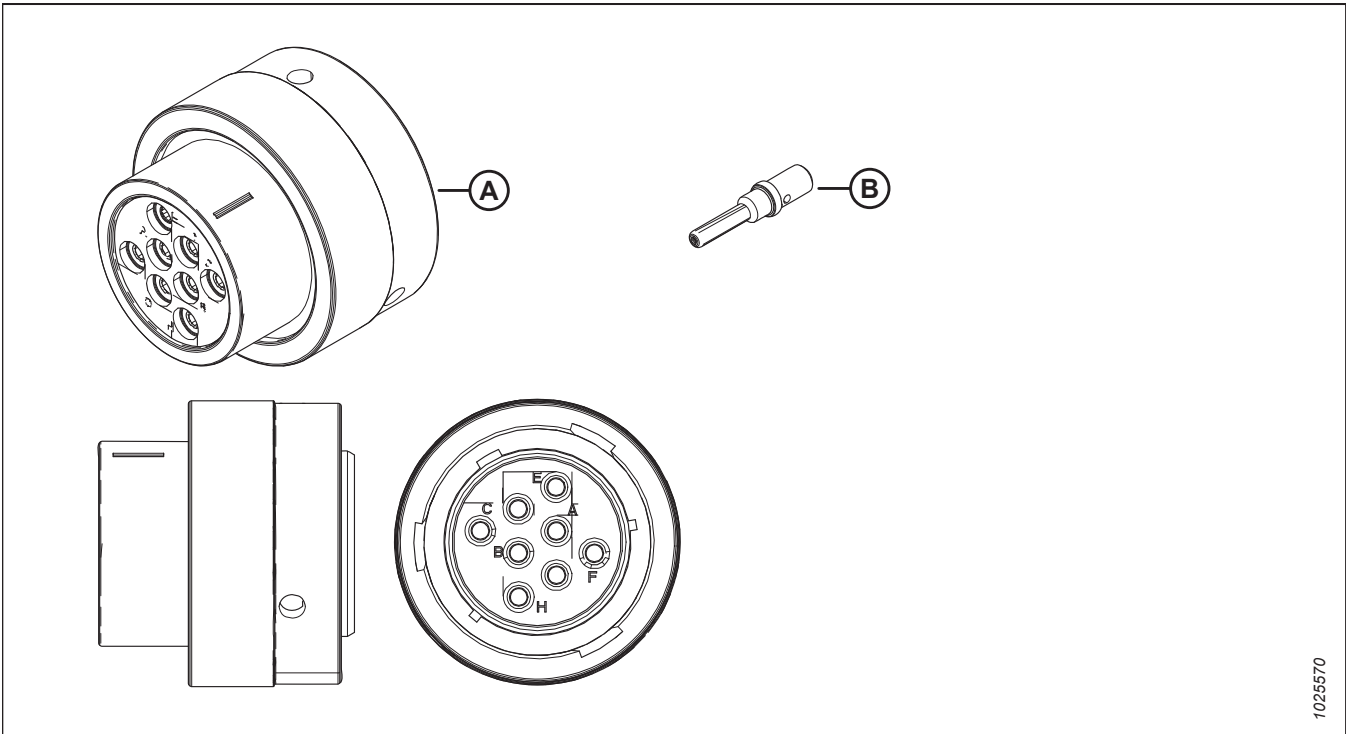
9.13



	MacDon Part #	Description	Manufacturer	Series	Manufacturer Part #
A		Connector – Receptacle	Deutsch	HD30	HD34-18-8SE
B	134027	Terminal – Socket		Size 12	0462-203-12141 (nickel), 0462-210-1231 (gold)
		Lock			
		Secondary Lock			
		Seal			
		Mating Connector		HD36-18-8PE	
		Extraction Tool			
		Crimp Tool			
		Cavity Plug			
		Boots/Caps		HD30-18BT, 114020-90, 114021	

EIGHT-POSITION CONNECTORS

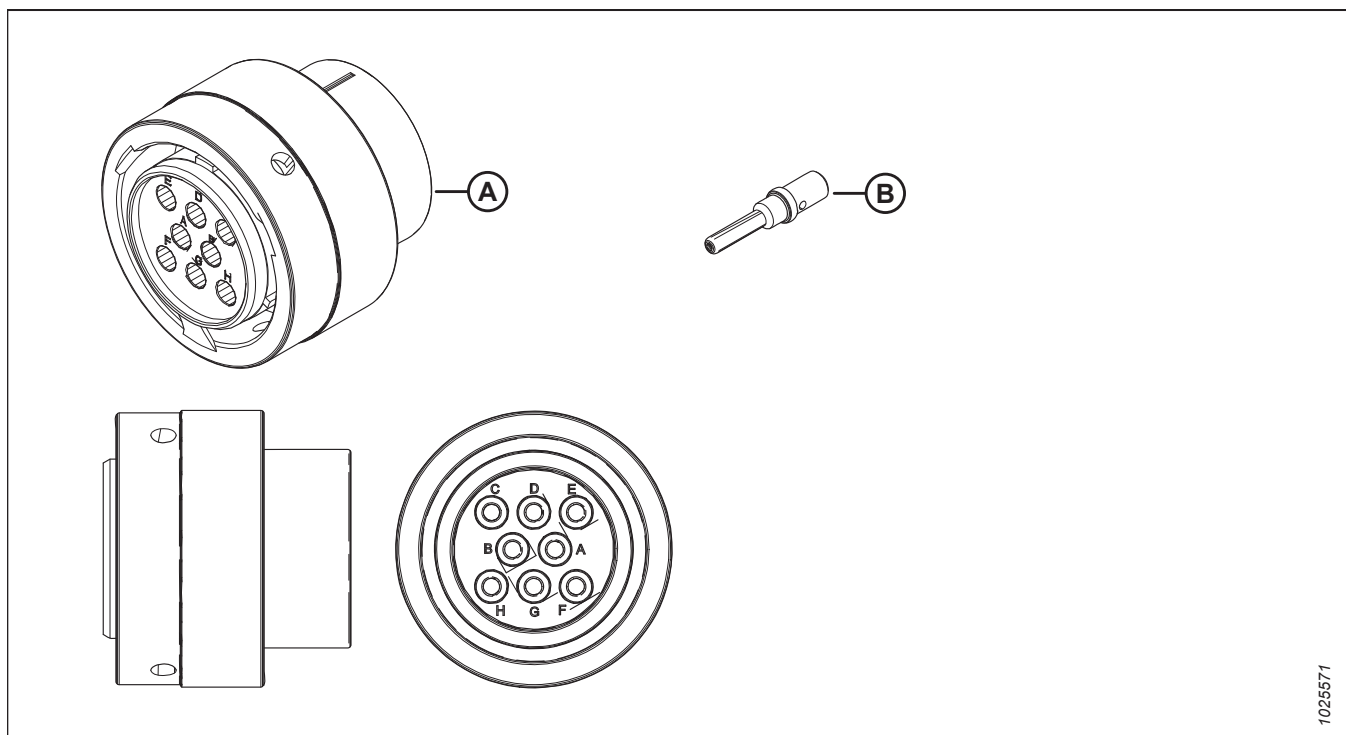
9.14



	MacDon Part #	Description	Manufacturer	Series	Manufacturer Part #
A		Connector – Plug	Deutsch	HDP20	HDP26-18-8PN
B	134024	Terminal – Pin		Size 12	0460-204-12141 (nickel), 0460-220-1231 (gold)
		Lock			
		Secondary Lock			
		Seal			
		Mating Connector		HDP24-18-8SN	
		Extraction Tool		114010	
		Crimp Tool			
		Cavity Plug			
		Boots/Caps		HD30-18BT-90-BK, HD30-18BT-BK	

EIGHT-POSITION CONNECTORS

9.15

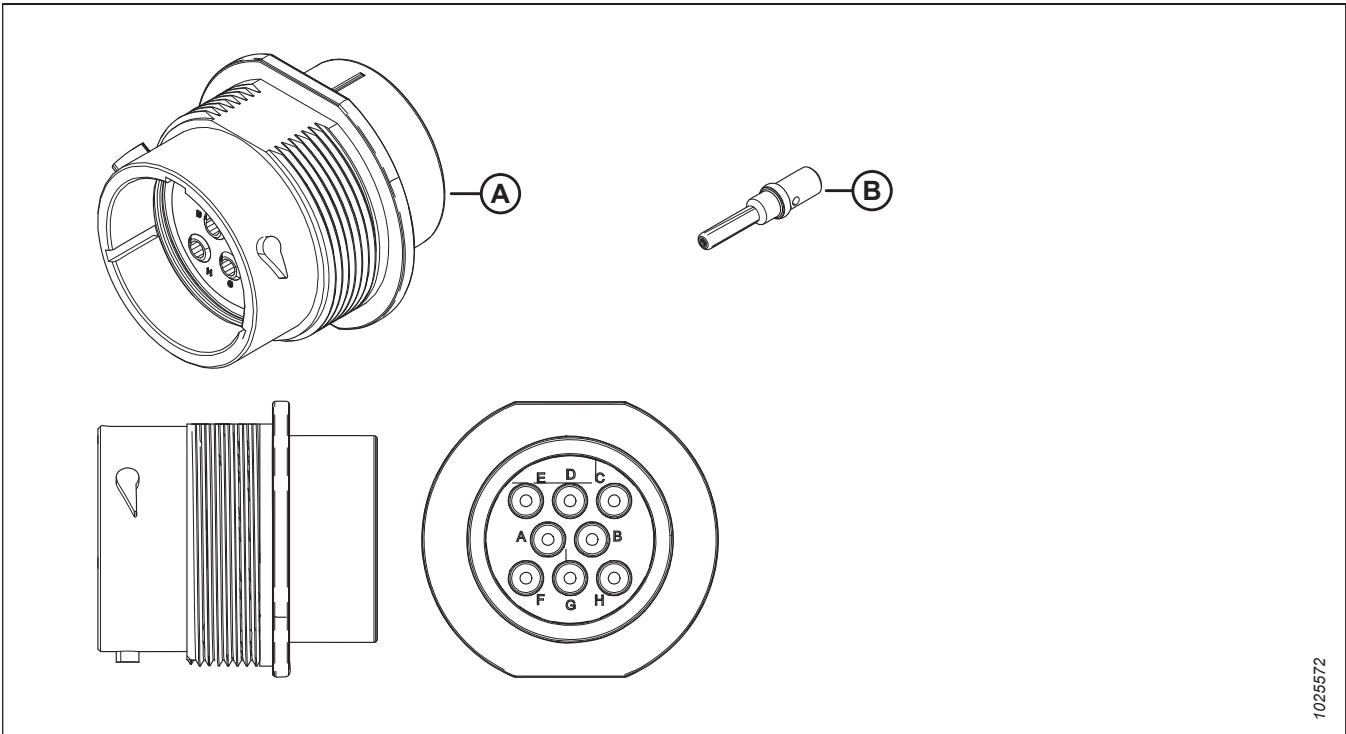


1025571

	MacDon Part #	Description	Manufacturer	Series	Manufacturer Part #
A		Connector – Plug	Deutsch	HDP20	HDP26-18-8SN
B	134024	Terminal – Pin		Size 12	0460-204-12141 (nickel), 0460-220-1231 (gold)
		Lock			
		Secondary Lock			
		Seal			
		Mating Connector		HDP24-18-8PN	
		Extraction Tool		114010	
		Crimp Tool			
		Cavity Plug		114017	
		Boots/Caps		HD30-18BT-90-BK, HD30-18BT-BK	

EIGHT-POSITION CONNECTORS

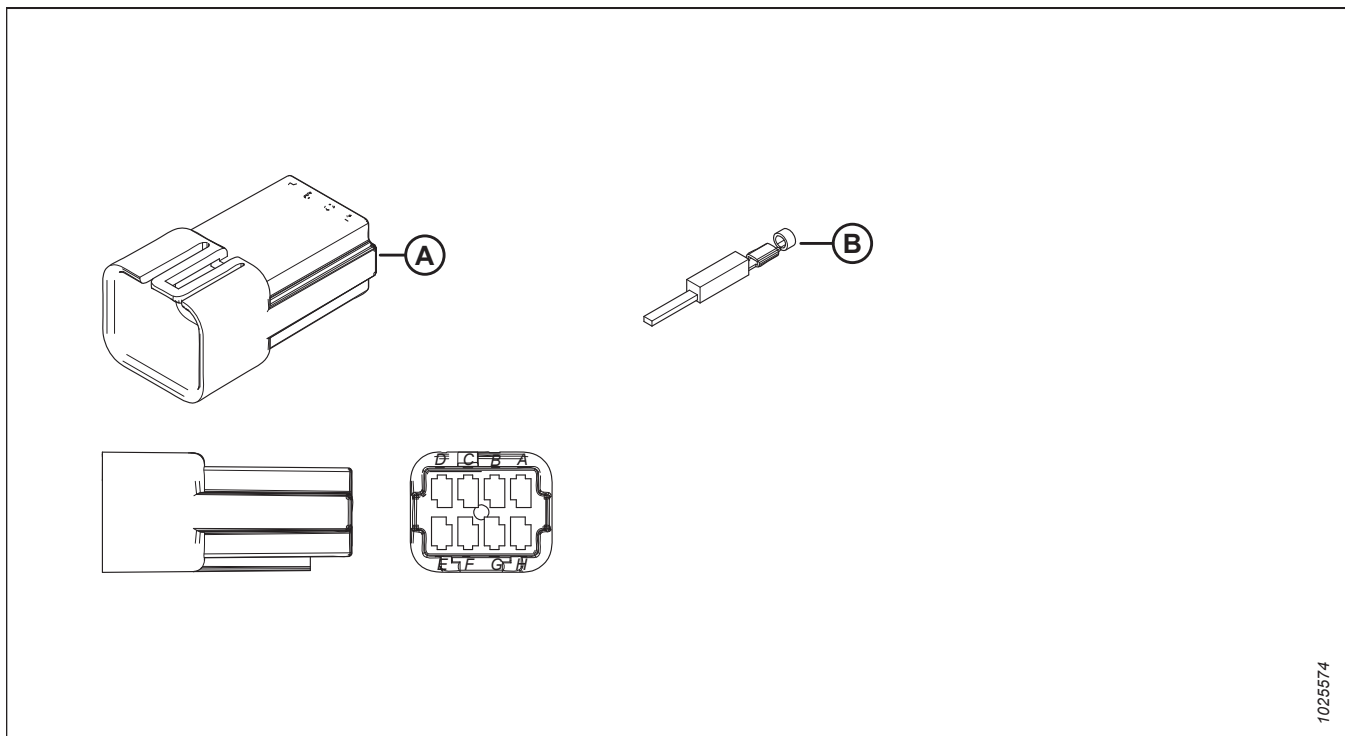
9.16



	MacDon Part #	Description	Manufacturer	Series	Manufacturer Part #
A		Connector – Receptacle	Deutsch	HDP20	HDP24-18-8PN
B	134024	Terminal – Pin		Size 12	0460-204-12141 (nickel), 0460-220-1231 (gold)
		Lock			
		Secondary Lock			
		Seal			
		Mating Connector		HDP26-18-8SN	
		Extraction Tool		114010	
		Crimp Tool			
		Cavity Plug		114017	
		Boots/Caps	HD30-18BT-BK, 2411-002-1805, 2414-002-1886, HDC26-18		

EIGHT-POSITION CONNECTORS

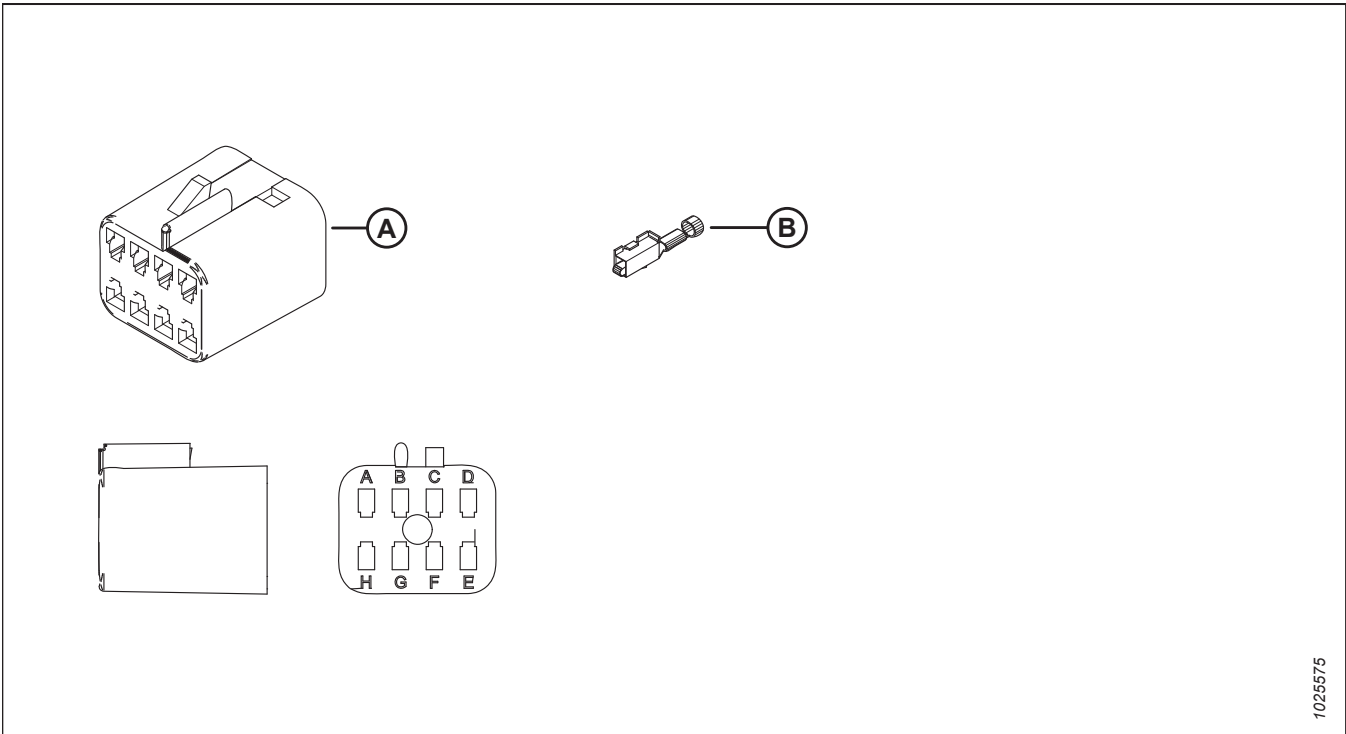
9.17



	MacDon Part #	Description	Manufacturer	Series	Manufacturer Part #
A		Connector – Receptacle	Delphi		12045688
B		Terminal			12047581, 12059894, 12160811, 12110502, 15383048
		Lock			12045690
		Secondary Lock			
		Seal			
		Mating Connector	12065398, 12047886, 12186098		
		Extraction Tool			
		Crimp Tool			
		Cavity Plug			
		Boots/Caps			

EIGHT-POSITION CONNECTORS

9.18

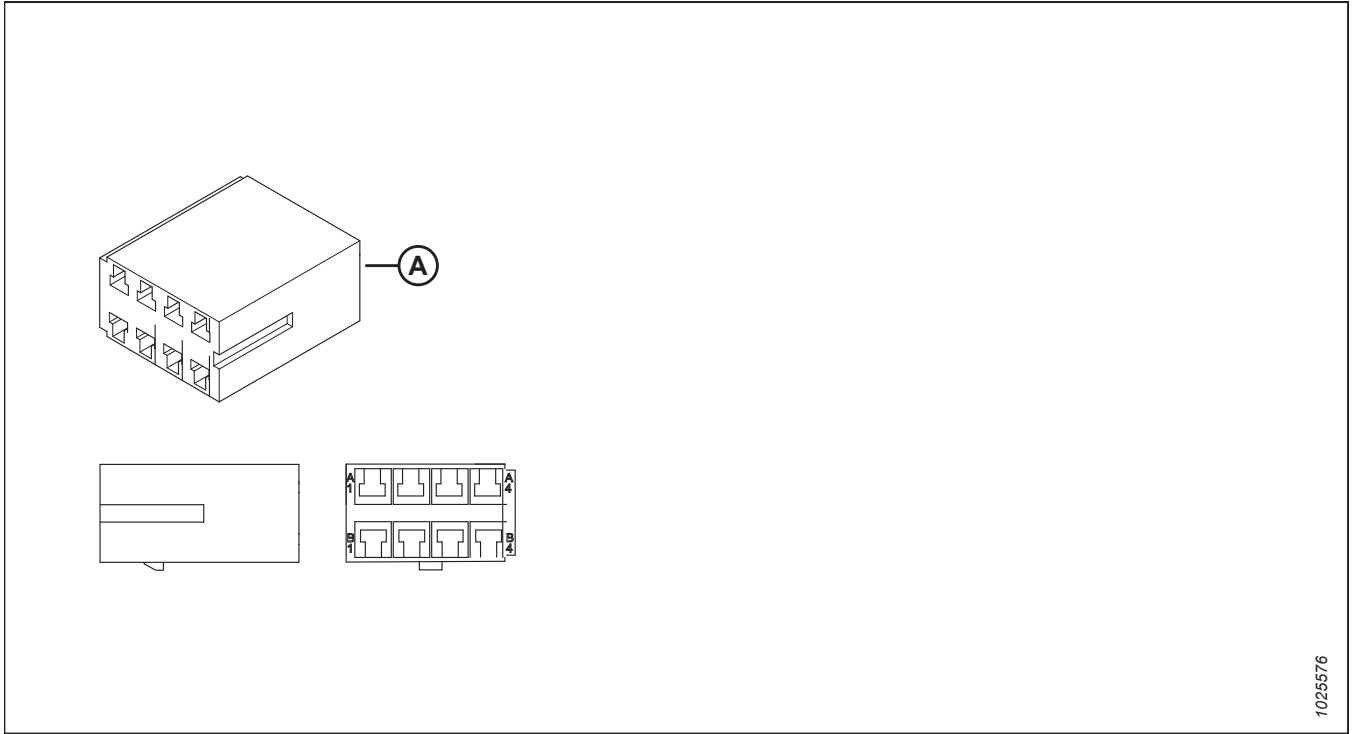


1025575

	MacDon Part #	Description	Manufacturer	Series	Manufacturer Part #
A		Connector – Plug	Delphi		12047886
B		Terminal			12064971, 12047765, 12047767, 12052466, 12160812, 15345048, 15305306, 15317878, 15326030, 15317766, 15317877
		Lock			12045689
		Secondary Lock			
		Seal			
		Mating Connector	12065396, 12045688 , 12084256 , 12089526, 12084537, 12162427		
		Extraction Tool			
		Crimp Tool			
		Cavity Plug			
		Boots/Caps			

EIGHT-POSITION CONNECTORS

9.19

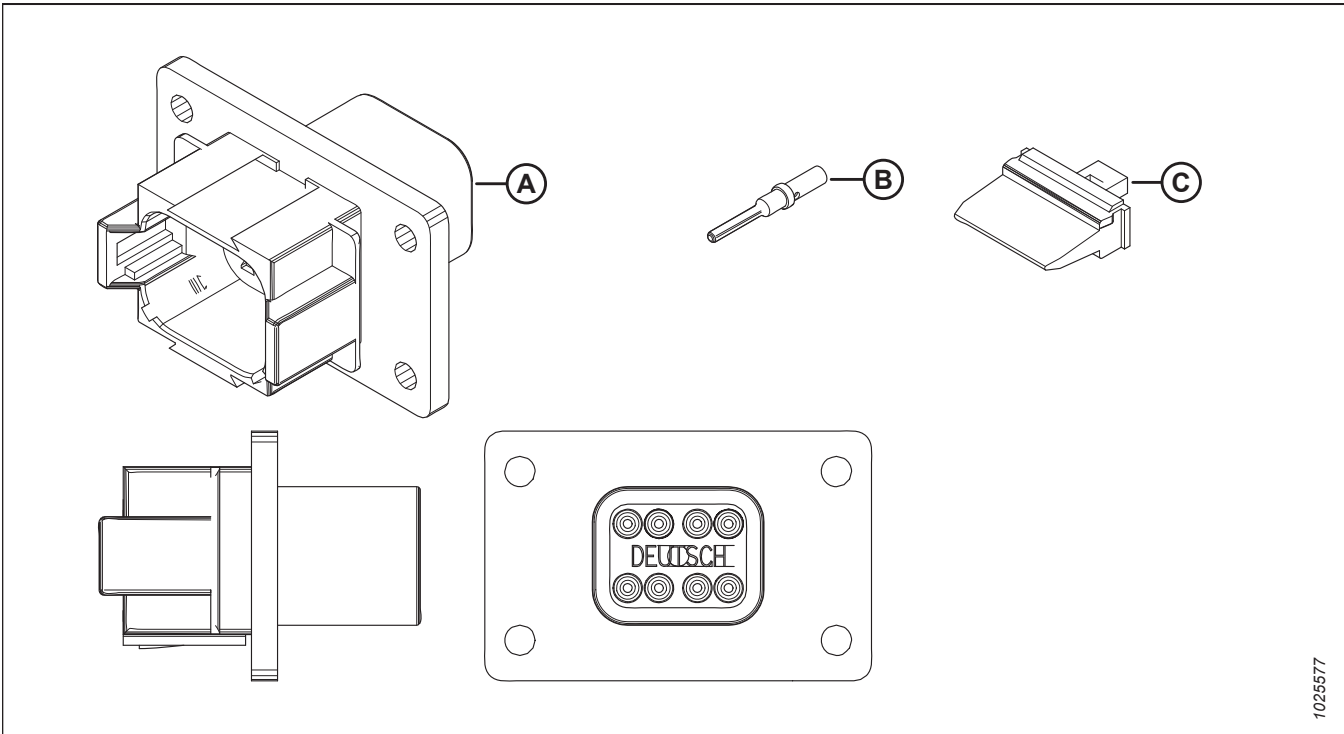


1025576

	MacDon Part #	Description	Manufacturer	Series	Manufacturer Part #
A		Connector – Plug	Rosco		W-RT8-200
		Terminal			
		Lock			
		Secondary Lock			
		Seal			
		Mating Connector			
		Extraction Tool			
		Crimp Tool			
		Cavity Plug			
		Boots/Caps			

EIGHT-POSITION CONNECTORS

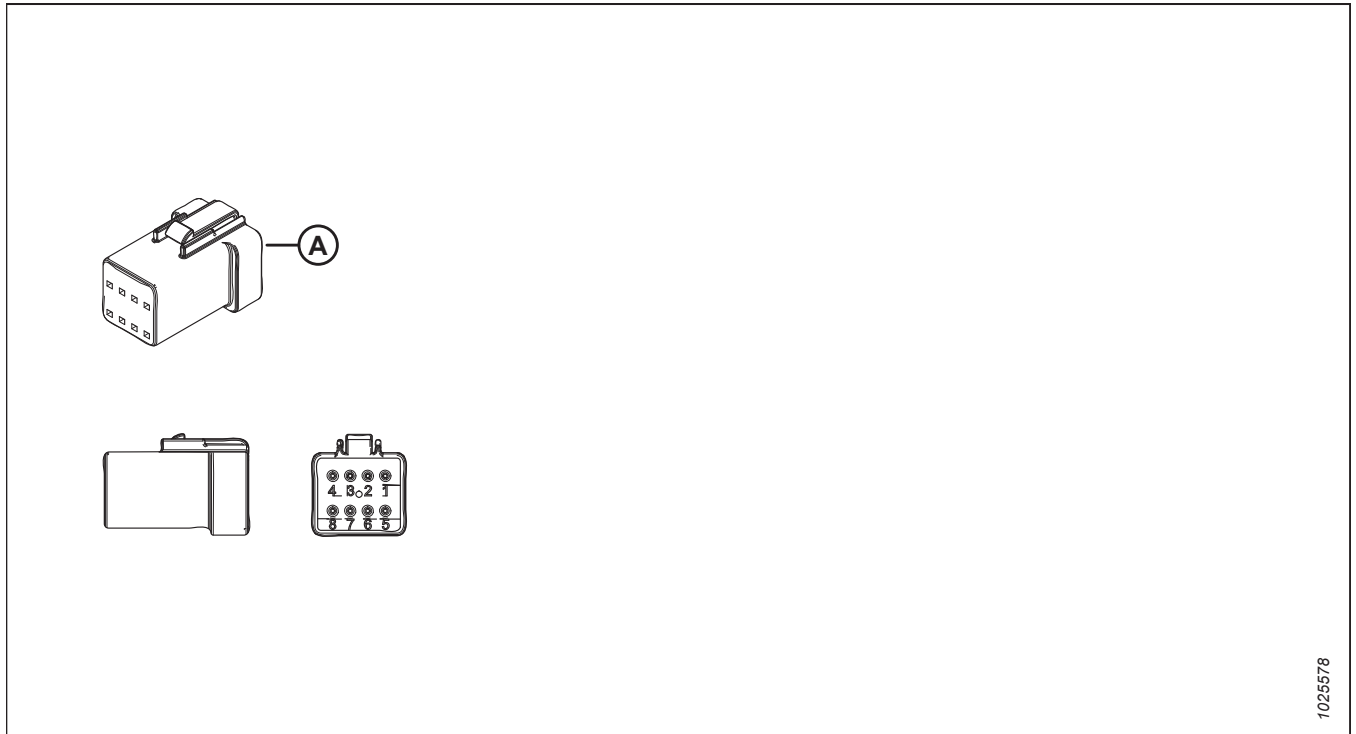
9.20



	MacDon Part #	Description	Manufacturer	Series	Manufacturer Part #
A		Connector – Receptacle	Deutsch	DT	DT04-08PA-L012
B	134023	Terminal – Pin		Size 16	0460-202-16141 (nickel), 0460-202-1631 (gold)
C		Lock			W8P
		Secondary Lock			
		Seal			
		Mating Connector		DT06-08SA	
		Extraction Tool		DT-RT1	
		Crimp Tool			
		Cavity Plug			
		Boots/Caps		DT8P-BT, DT8P-L012-GKT	

EIGHT-POSITION CONNECTORS

9.21

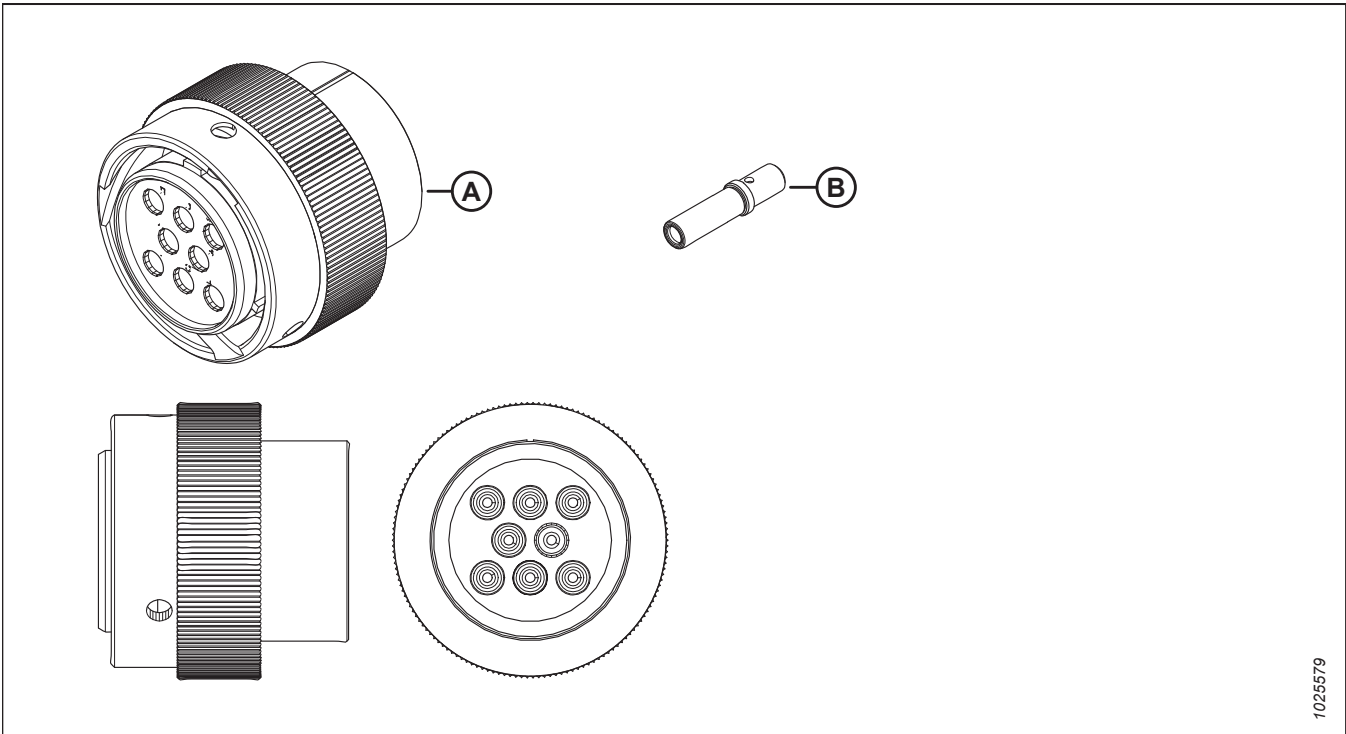


1025578

	MacDon Part #	Description	Manufacturer	Series	Manufacturer Part #
A		Connector – Plug	JST	JWPF	08R-JWPF-VSLE-D
		Terminal			
		Lock			
		Secondary Lock			
		Seal			
		Mating Connector			
		Extraction Tool			
		Crimp Tool			
		Cavity Plug			
		Boots/Caps			

EIGHT-POSITION CONNECTORS

9.22

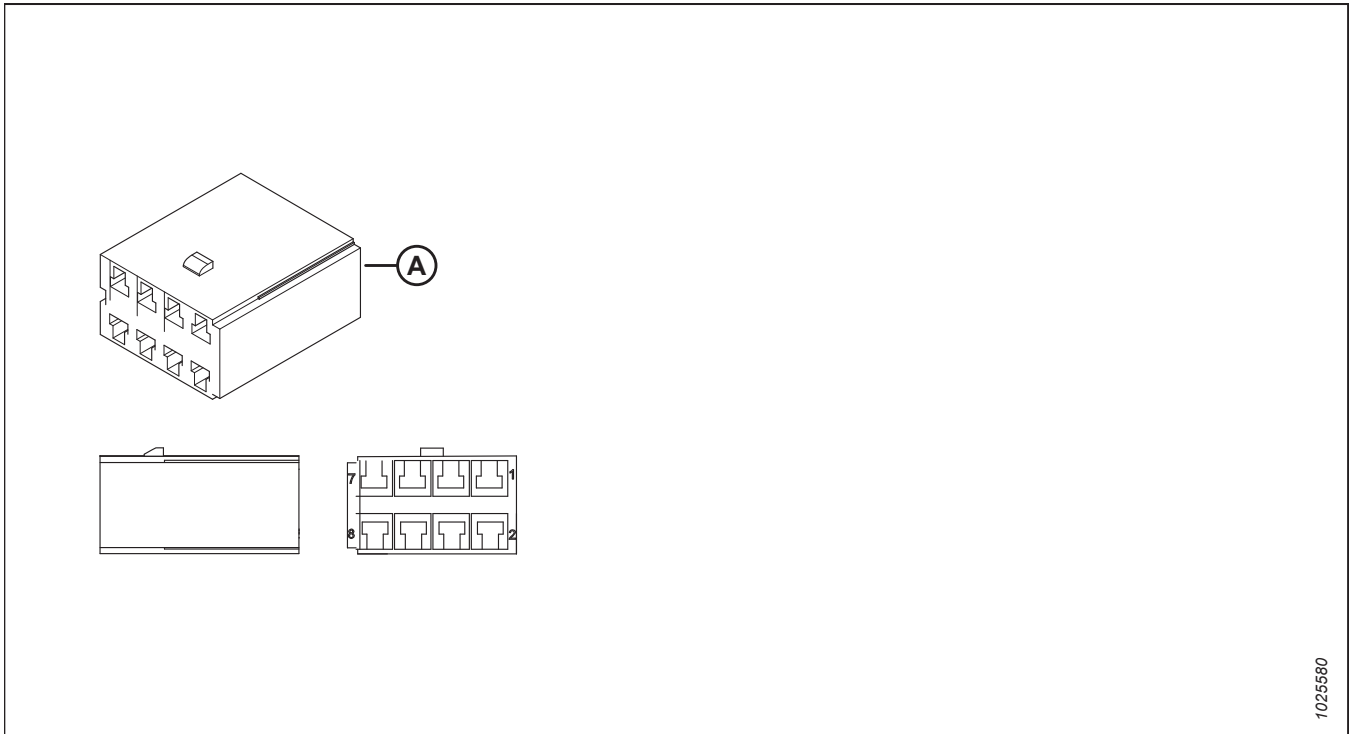


1025579

	MacDon Part #	Description	Manufacturer	Series	Manufacturer Part #
A		Connector – Plug	Deutsch	HD30	HD36-18-8SE
B	134027	Terminal – Socket		Size 12	0462-203-12141 (nickel), 0462-210-1231 (gold)
		Lock			
		Secondary Lock			
		Seal			
		Mating Connector			
		Extraction Tool			
		Crimp Tool			
		Cavity Plug			
		Boots/Caps			

EIGHT-POSITION CONNECTORS

9.23

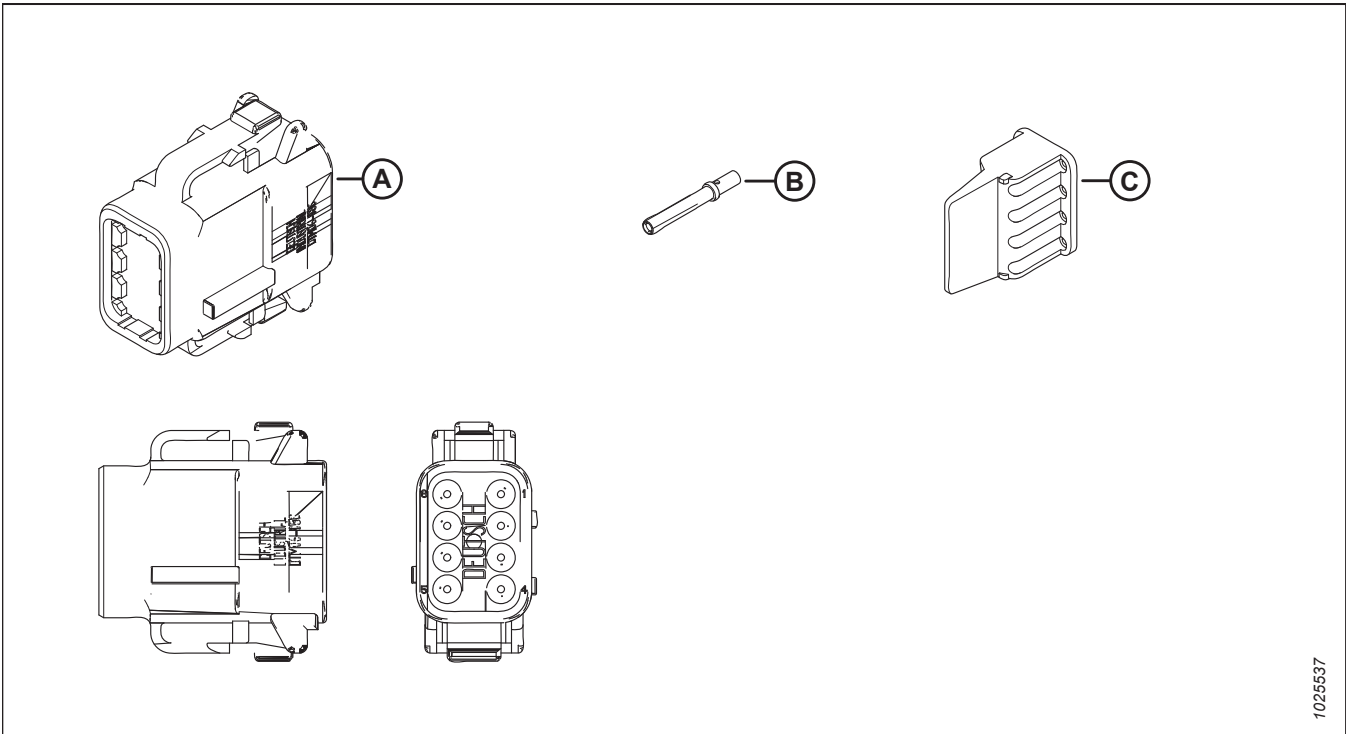


1025580

	MacDon Part #	Description	Manufacturer	Series	Manufacturer Part #
A		Connector	Rosco		CON4001
		Terminal			
		Lock			
		Secondary Lock			
		Seal			
		Mating Connector			
		Extraction Tool			
		Crimp Tool			
		Cavity Plug			
		Boots/Caps			

EIGHT-POSITION CONNECTORS

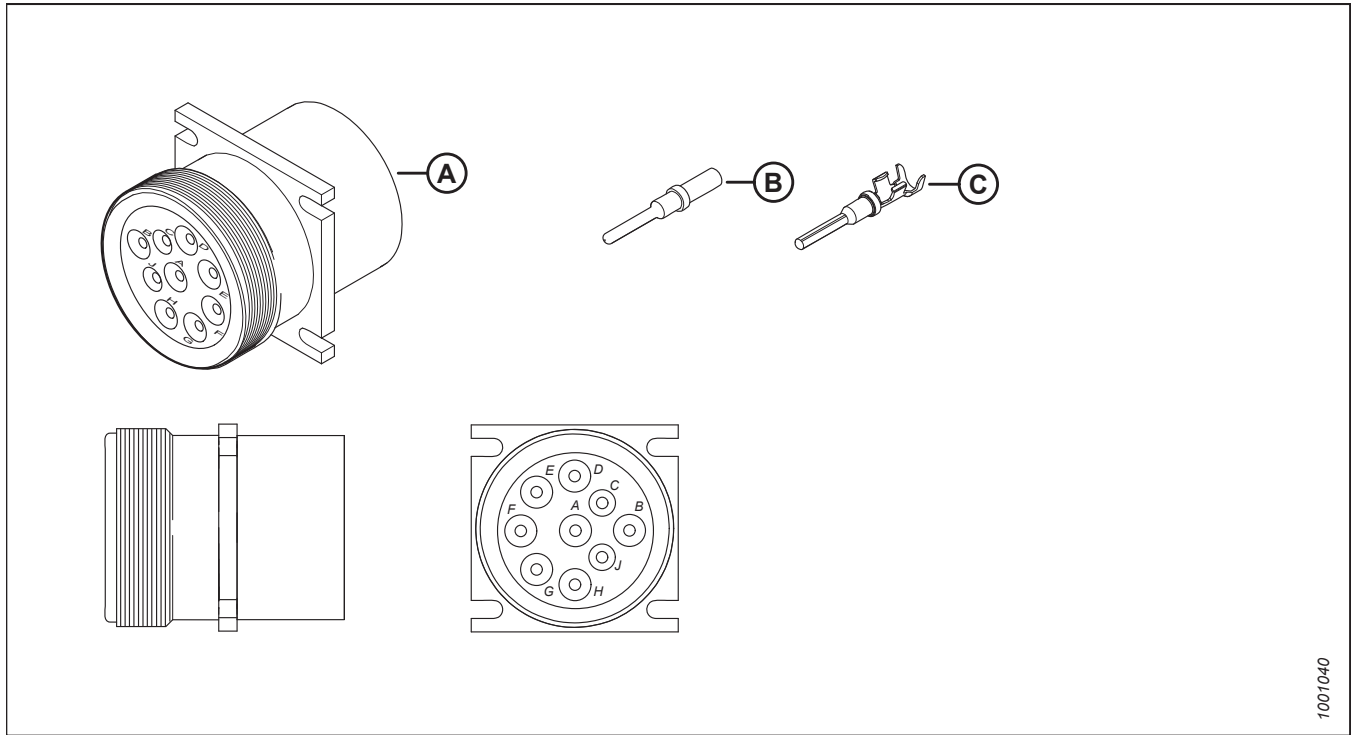
9.24



	MacDon Part #	Description	Manufacturer	Series	Manufacturer Part #
A		Connector – Plug	Deutsch	DTM	DTM06-08SA-EE04
B	134017	Terminal – Socket		Size 20	0462-201-20141 (nickel), 0462-201-2031 (gold)
C		Lock		WM	WM-8S
		Secondary Lock			
		Seal			
		Mating Connector	DTM04-08PA-EE04		
		Extraction Tool			
		Crimp Tool			
		Cavity Plug			
		Boots/Caps			

Chapter 10: Nine-Position Connectors

10.1

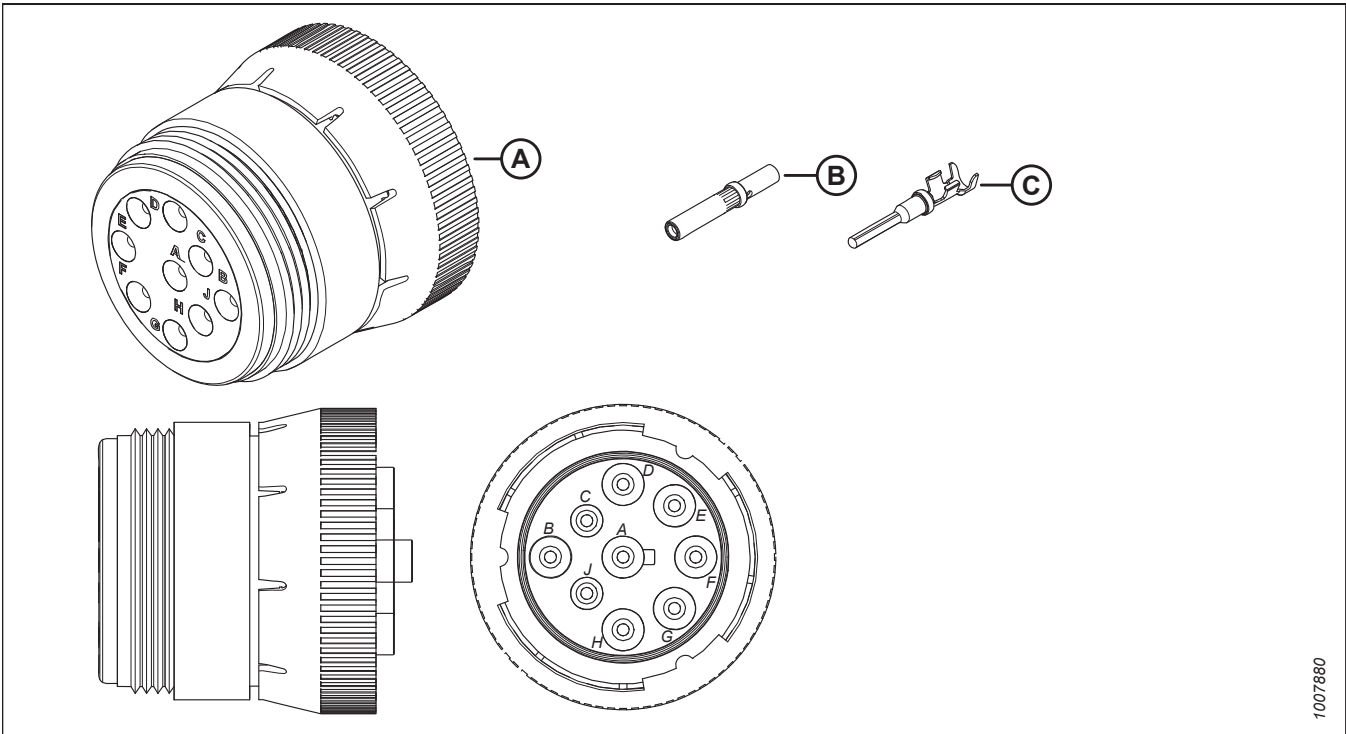


1001040

	MacDon Part #	Description	Manufacturer	Series	Manufacturer Part #
A		Connector – Receptacle (14–20 ga)	Deutsch	HD10	HD10-9-1939P
B	134023	Terminal – Pin	Deutsch	Size 16	0460-202-16141 (nickel), 0460-202-1631 (gold)
C	134105	Terminal – Pin (Stamped)	Deutsch	Size 16	1060-16-0122
	134044	Mating Connector		HD16-9-1939S	
		Extraction Tool		DT-RT1, 411-336-1605, 112271	
		Crimp Tool		HDT-48-00	

NINE-POSITION CONNECTORS

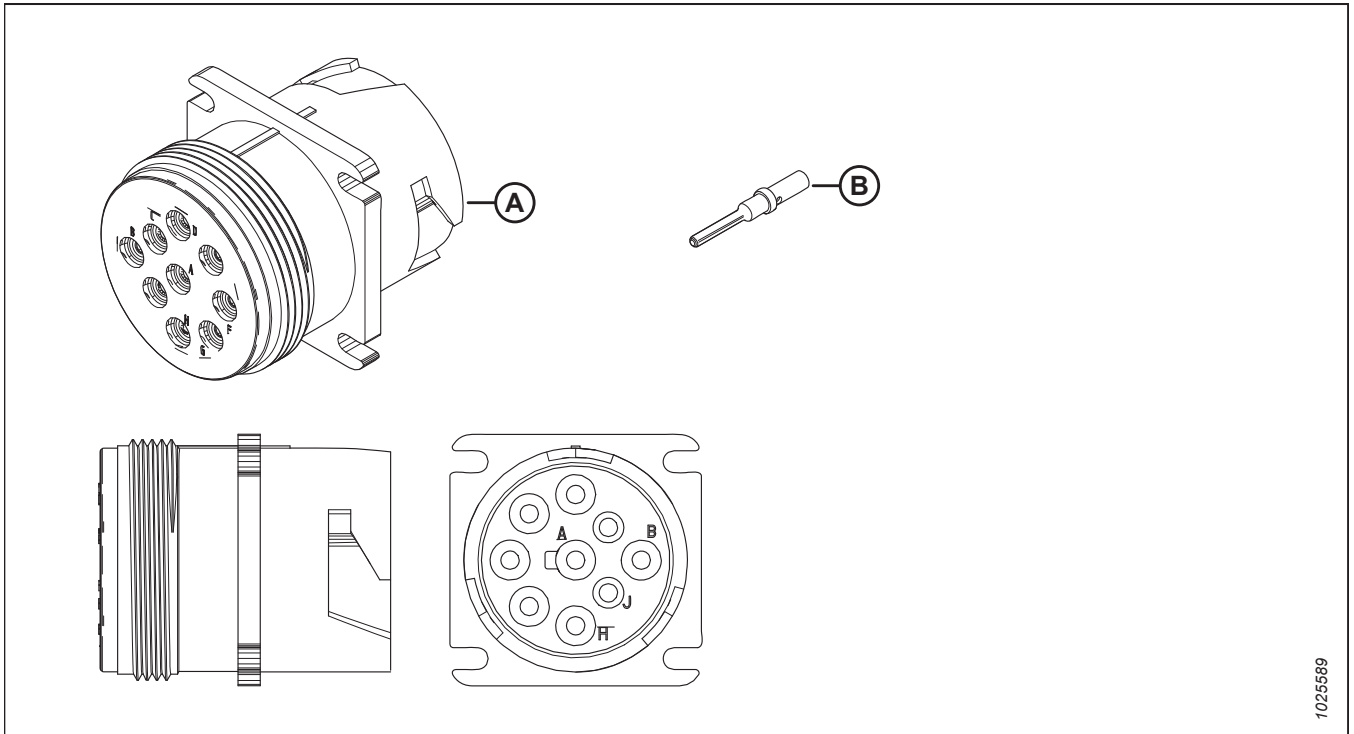
10.2



	MacDon Part #	Description	Manufacturer	Series	Manufacturer Part #
A	134044	Connector – Plug	Deutsch	HD16	HD16-9-1939S
B	134026	Terminal – Socket		Size 16	0462-201-16141 (nickel), 0462-201-1631 (gold)
C	134105	Terminal – Socket (Stamped)			1062-16-0122
		Mating Connector		HD10-9-1939P	
		Extraction Tool		DT-RT1, 411-336-1605, 112271	
		Crimp Tool		HDT-48-00	

NINE-POSITION CONNECTORS

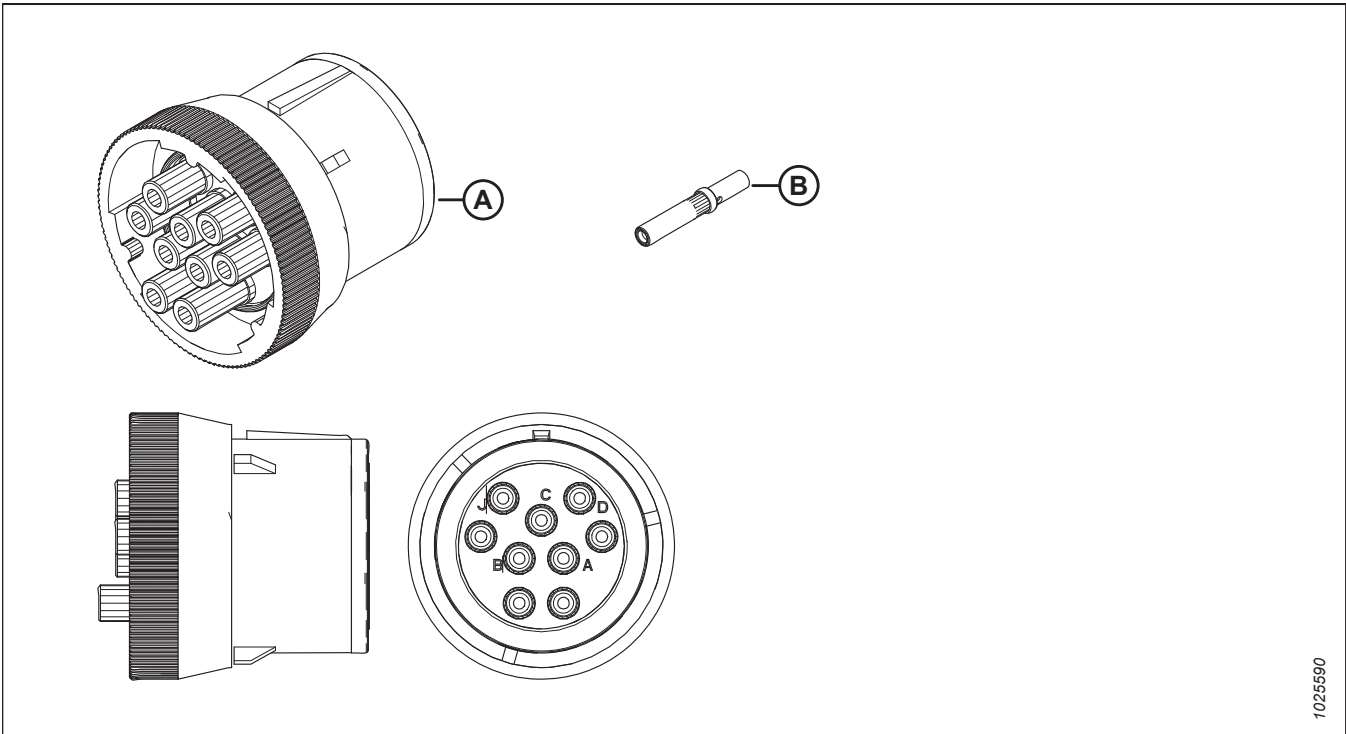
10.3



	MacDon Part #	Description	Manufacturer	Series	Manufacturer Part #
A		Connector – Receptacle	Deutsch	HD10	HD10-9-1939P
B	134023	Terminal – Pin		Size 16	0460-202-16141 (nickel), 0460-202-1631 (gold)
		Lock			
		Secondary Lock			
		Seal			
		Mating Connector			
		Extraction Tool			
		Crimp Tool			
		Cavity Plug			
		Boots/Caps			

NINE-POSITION CONNECTORS

10.4

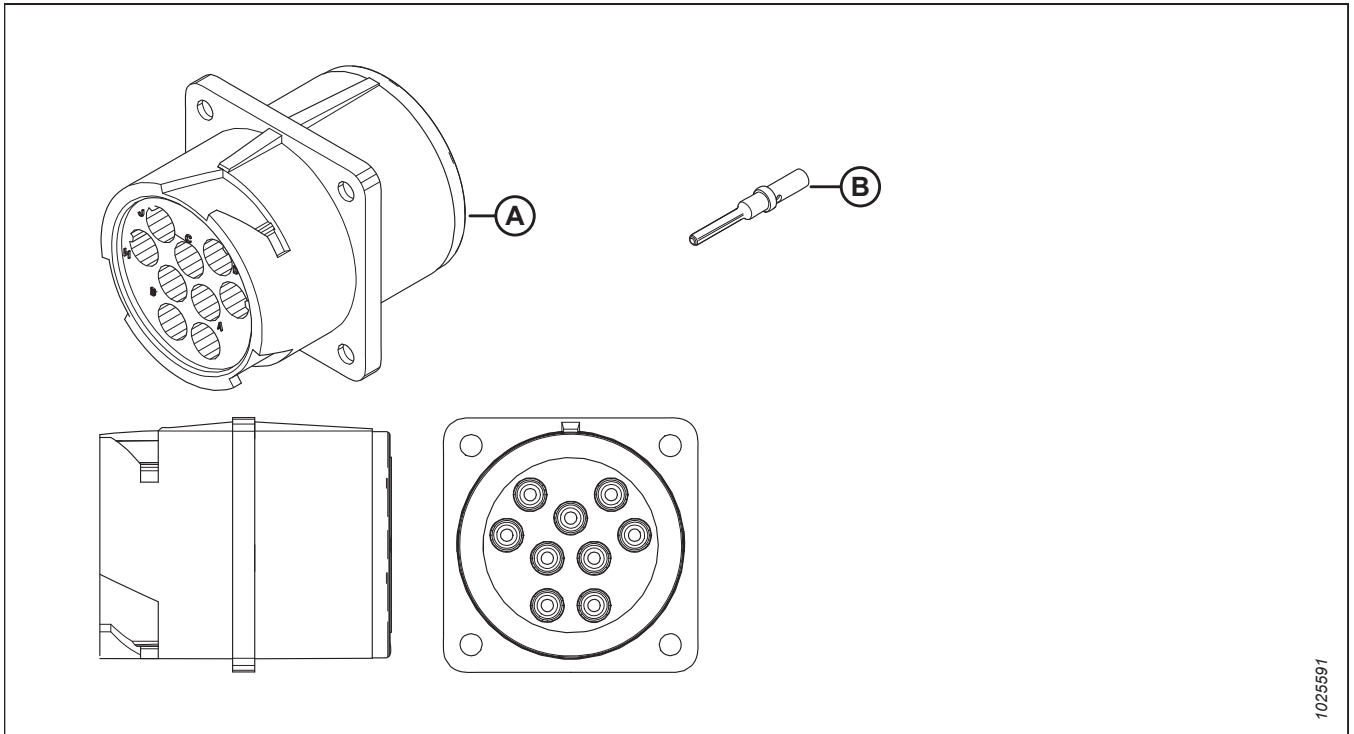


1025590

	MacDon Part #	Description	Manufacturer	Series	Manufacturer Part #
A		Connector – Plug	Deutsch	HD10	HD16-9-16S
B	134026	Terminal – Socket		Size 16	0462-201-16141 (nickel), 0462-201-1631 (gold)
		Lock			
		Secondary Lock			
		Seal			
		Mating Connector	HD10-9-16P, HD14-9-16P		
		Extraction Tool			
		Crimp Tool			
		Cavity Plug			
		Boots/Caps			

NINE-POSITION CONNECTORS

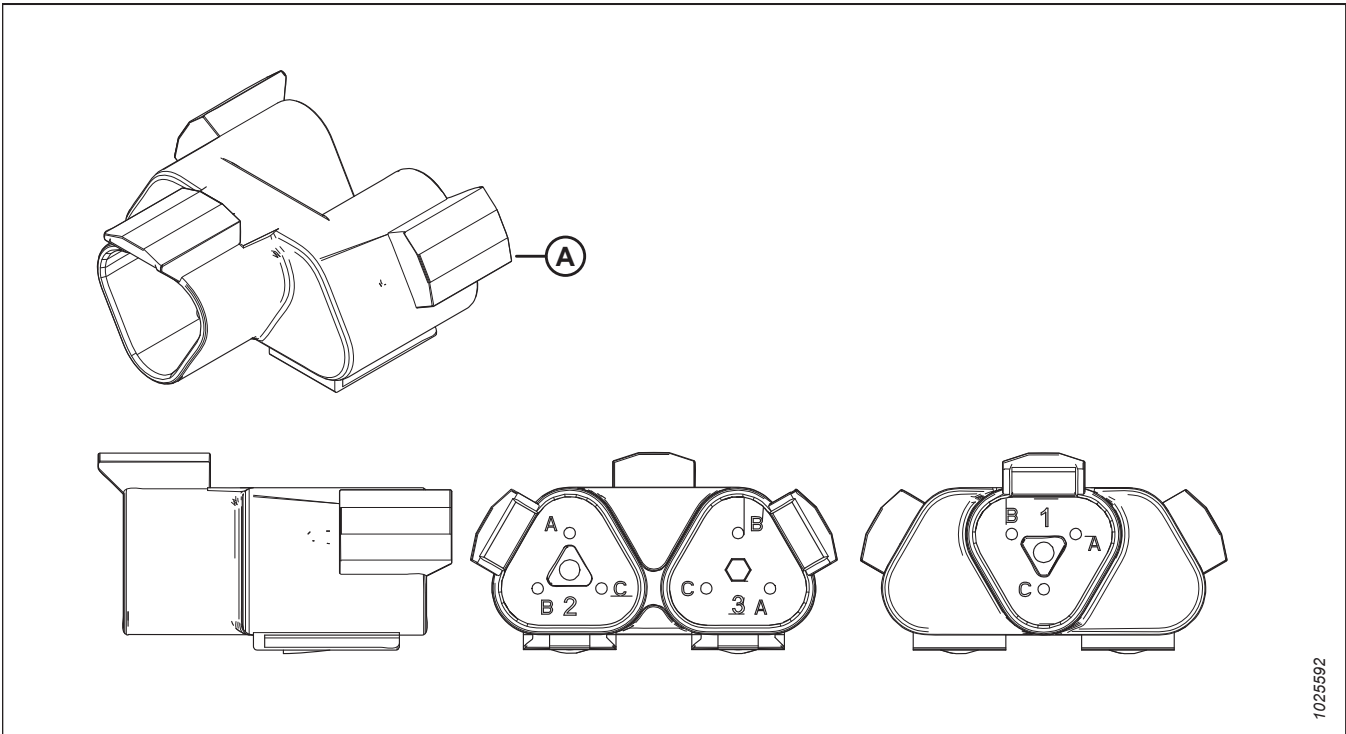
10.5



	MacDon Part #	Description	Manufacturer	Series	Manufacturer Part #
A		Connector – Receptacle	Deutsch	HD10	HD10-9-16P
B	134023	Terminal – Pin		Size 16	0460-202-16141 (nickel), 0460-202-1631 (gold)
		Lock			
		Secondary Lock			
		Seal			
		Mating Connector		HD16-9-16S	
		Extraction Tool			
		Crimp Tool			
		Cavity Plug			
		Boots/Caps			

NINE-POSITION CONNECTORS

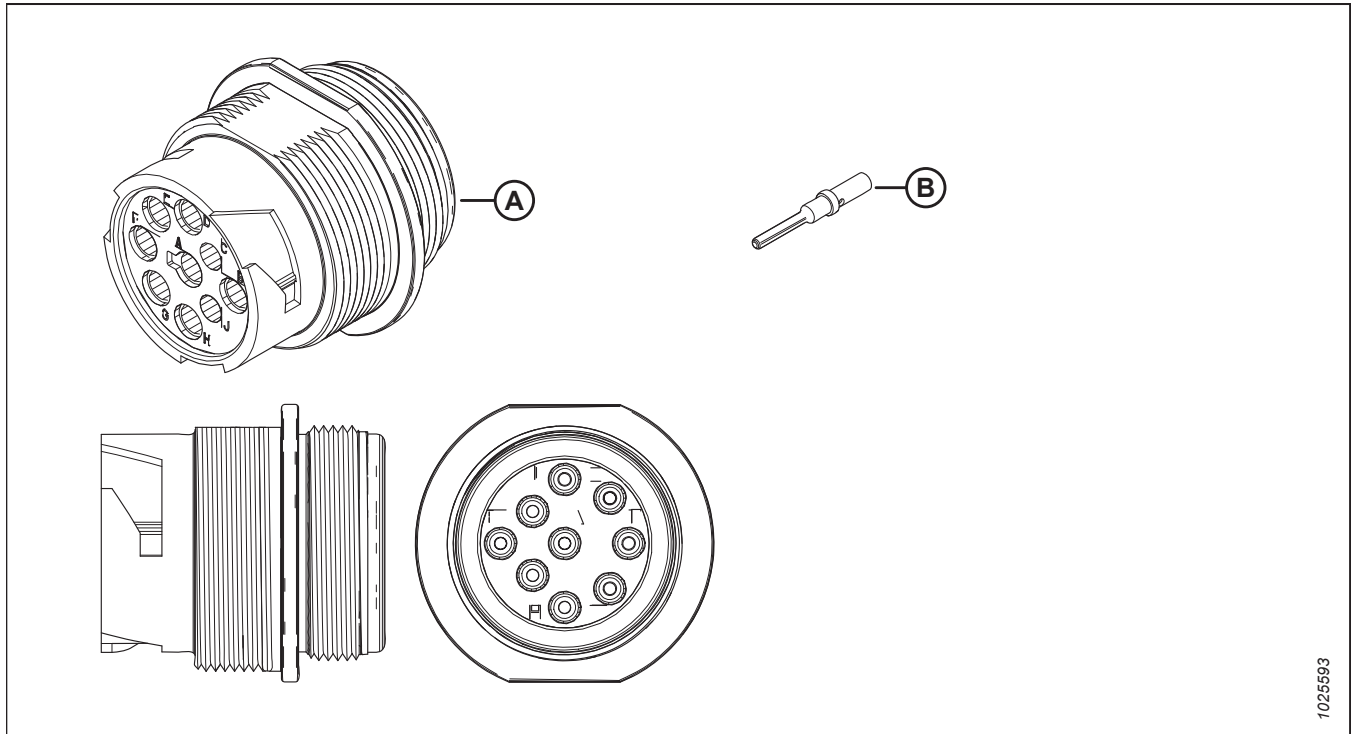
10.6



	MacDon Part #	Description	Manufacturer	Series	Manufacturer Part #
A		Connector – Receptacle	Deutsch		DT04-3P-P007
		Terminal			
		Lock			
		Secondary Lock			
		Seal			
		Mating Connector		DT06-3S	
		Extraction Tool			
		Crimp Tool			
		Cavity Plug			
		Boots/Caps		1011-026-0205, 1027-003-1200, DT3P-DC	

NINE-POSITION CONNECTORS

10.7

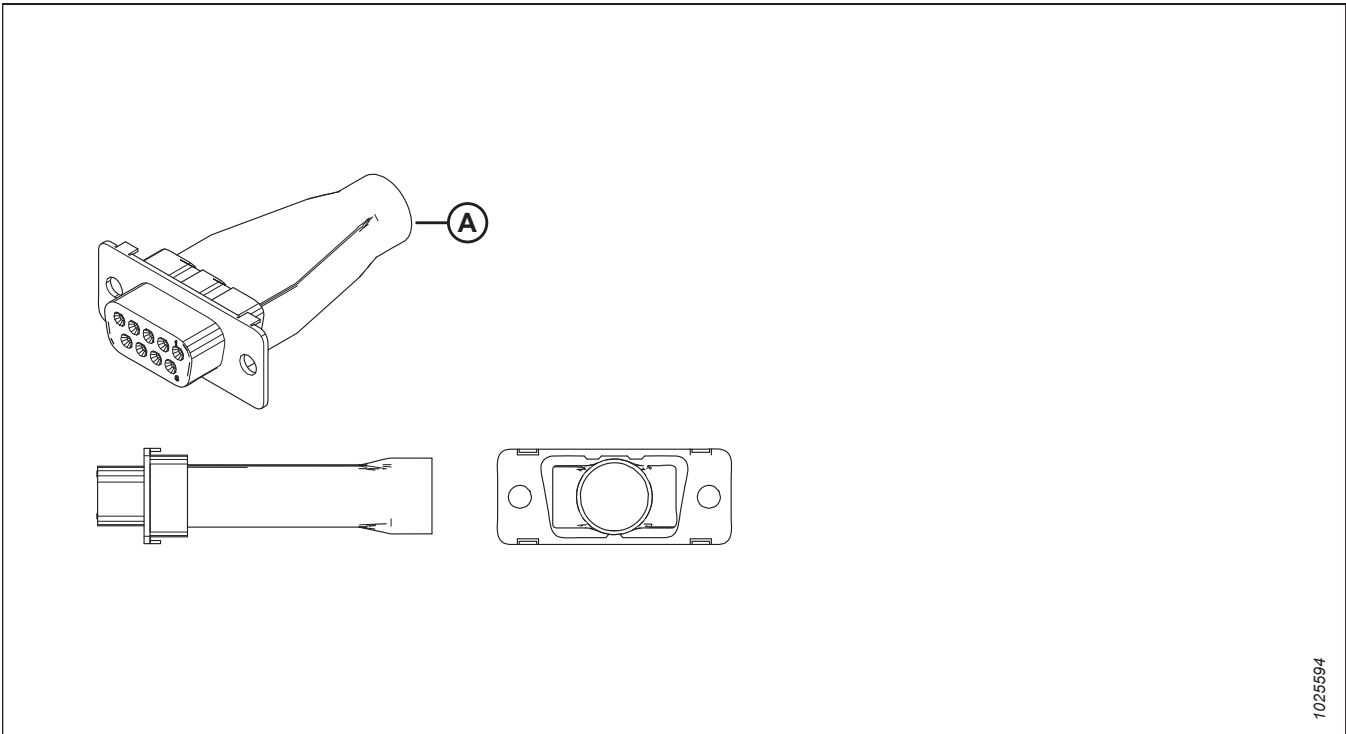


1025593

	MacDon Part #	Description	Manufacturer	Series	Manufacturer Part #
A		Connector – Receptacle	Deutsch	HD10	HD10-9-1939P-B022
B	134023	Terminal – Pin		Size 16	0460-202-16141 (nickel), 0460-202-1631 (gold)
		Lock			
		Secondary Lock			
		Seal			
		Mating Connector			
		Extraction Tool			
		Crimp Tool			
		Cavity Plug			
		Boots/Caps			

NINE-POSITION CONNECTORS

10.8

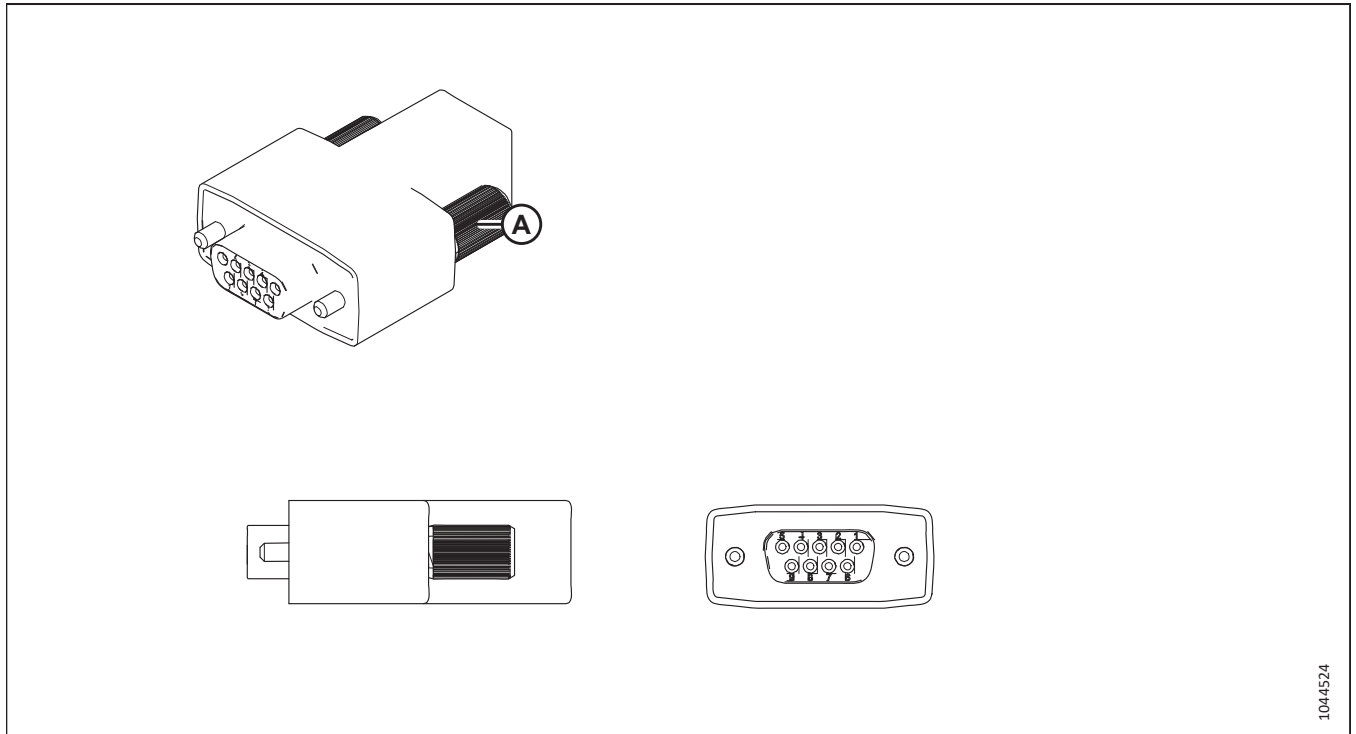


1025594

	MacDon Part #	Description	Manufacturer	Series	Manufacturer Part #
A		Connector – Receptacle	Tyco	Amplimite	1658646-1
		Terminal			
		Lock			
		Secondary Lock			
		Seal			
		Mating Connector			
		Extraction Tool			
		Crimp Tool			
		Cavity Plug			
		Boots/Caps			

NINE-POSITION CONNECTORS

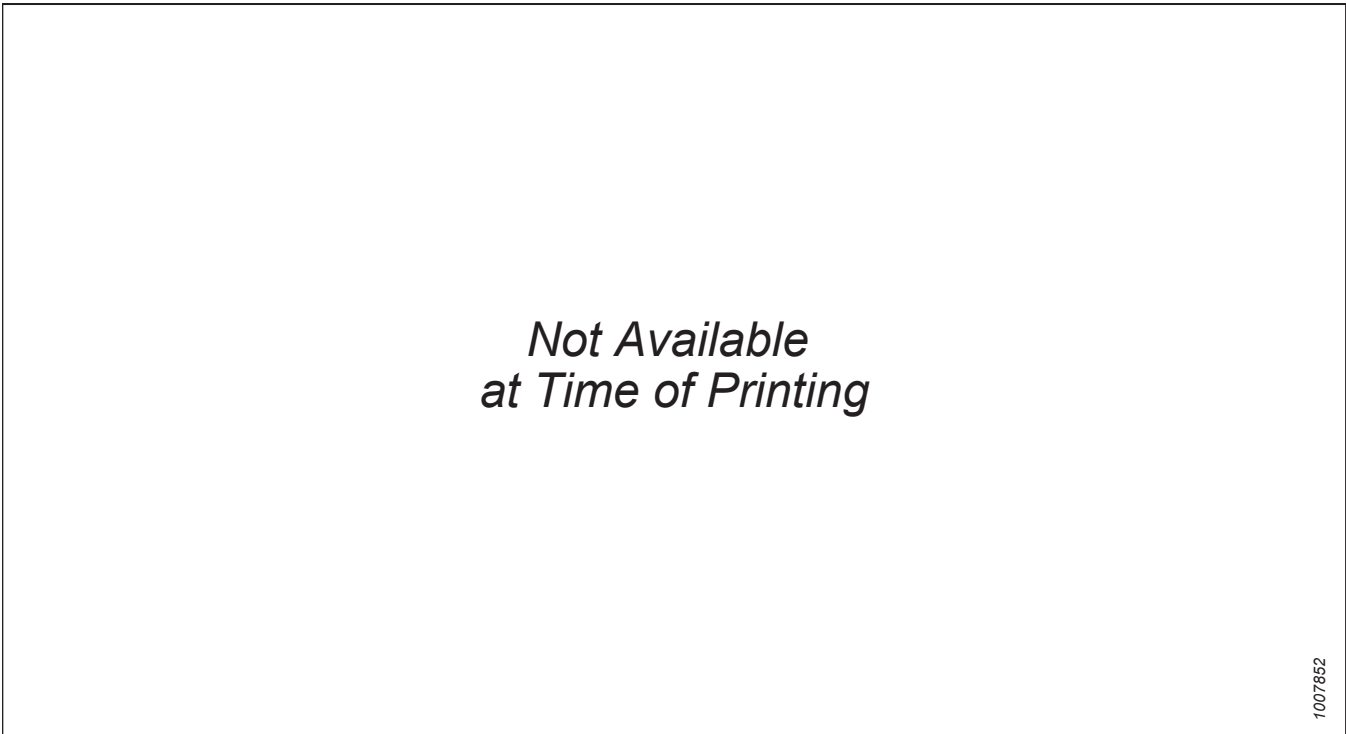
10.9



1044524

	MacDon Part #	Description	Manufacturer	Series	Manufacturer Part #
A	134921	Connector – Receptacle	TE Connectivity	Subminiature D	168654-1
		Terminal			
		Lock			
		Secondary Lock			
		Seal			
		Mating Connector			
		Extraction Tool			
		Crimp Tool			
		Cavity Plug			
		Boots/Caps			

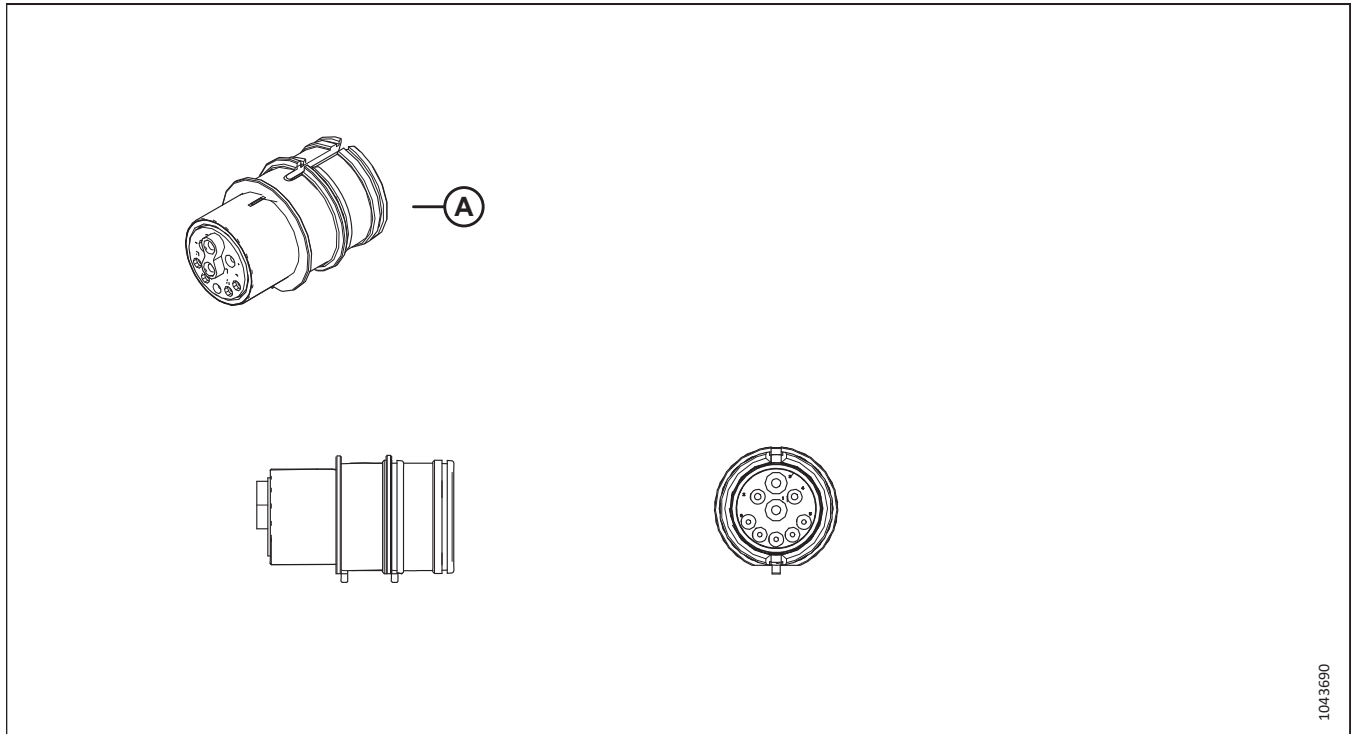
10.10



	MacDon Part #	Description	Manufacturer	Series	Manufacturer Part #
A		Connector – Plug	Tyco	CPC	206708-1
		Terminal			
		Lock			
		Secondary Lock			
		Seal			
		Mating Connector			
		Extraction Tool			
		Crimp Tool			
		Cavity Plug			
		Boots/Caps			

NINE-POSITION CONNECTORS

10.11

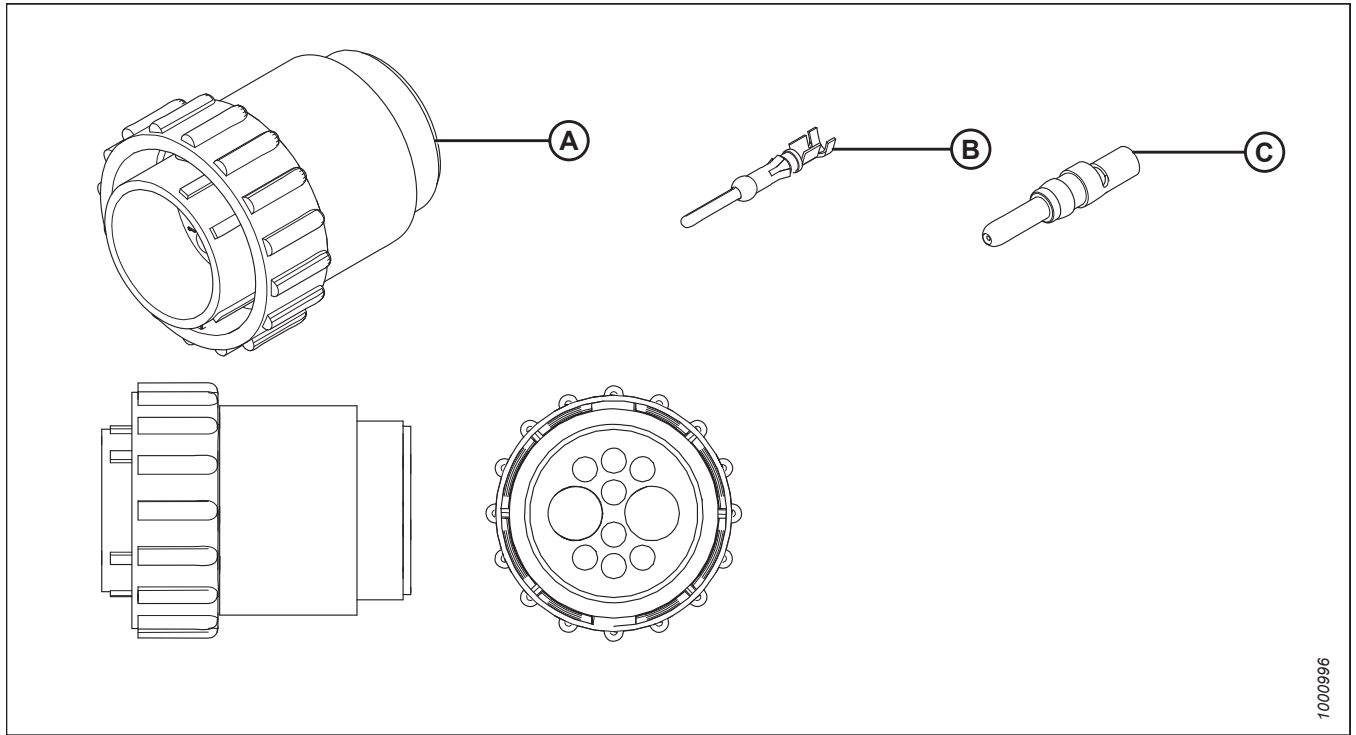


1043690

	MacDon Part #	Description	Manufacturer	Series	Manufacturer Part #
A		Connector – Receptacle	John Deere	HD30	57M15225
		Terminal			
		Lock			
		Secondary Lock			
		Seal			
		Mating Connector			
		Extraction Tool			
		Crimp Tool			
		Cavity Plug			
		Boots/Caps			

Chapter 11: Ten-Position Connectors

11.1

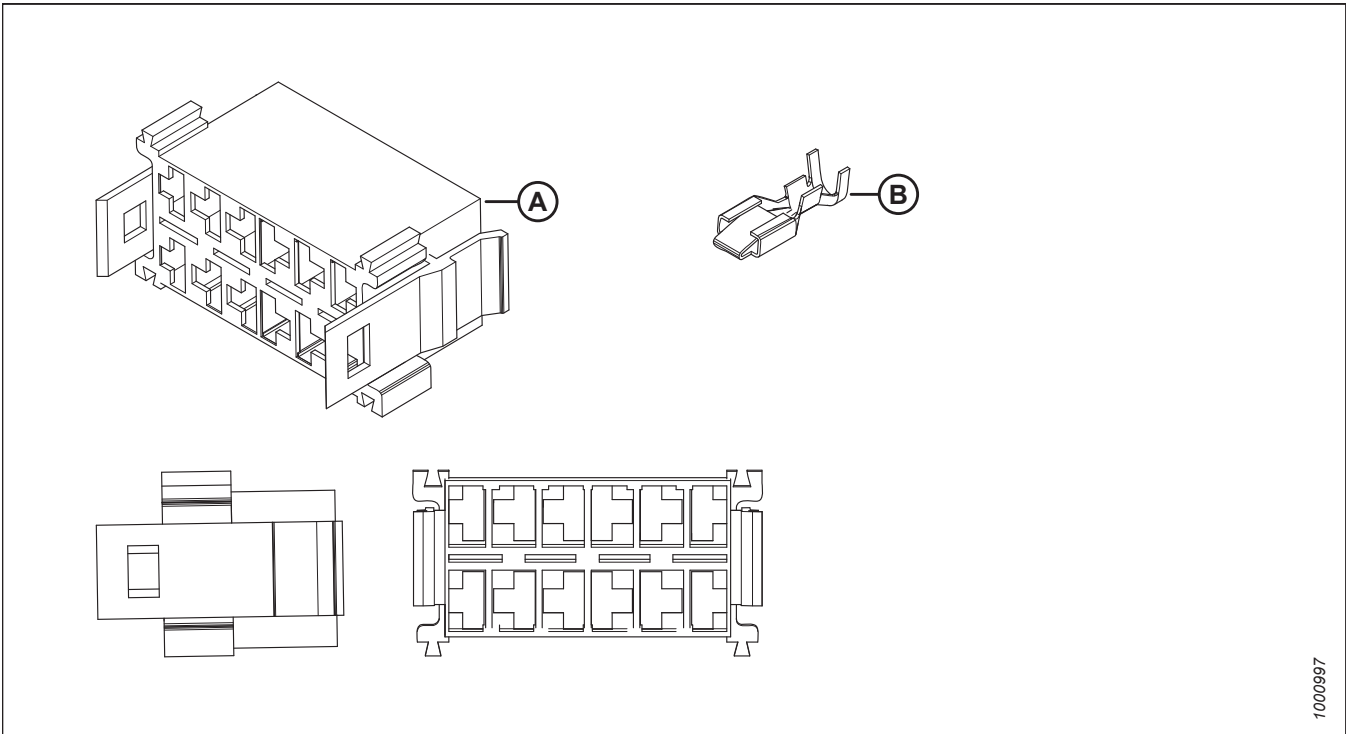


1000996

	MacDon Part #	Description	Manufacturer	Series	Manufacturer Part #
A		Connector – Plug	Amp	CPC	213906-1
B	134084	Terminal – Pin (16 ga)	Amp	CPC	1-66099-5
C	134085	Terminal – Pin	Amp	CPC	213841-3
		Mating Connector			
	134013	Extraction Tool		0411-310-605	
		Crimp Tool			

TEN-POSITION CONNECTORS

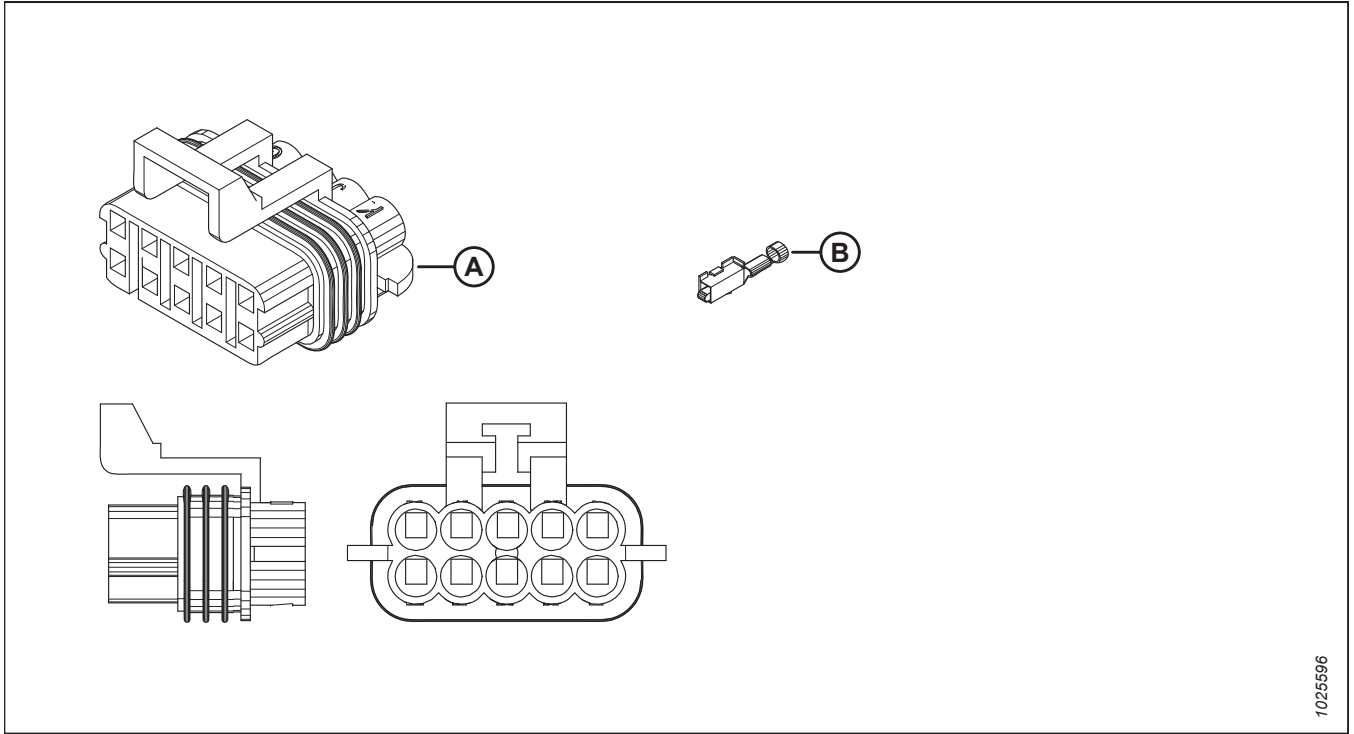
11.2



	MacDon Part #	Description	Manufacturer	Series	Manufacturer Part #
A	134156	Connector – Plug	Eaton Corp		28-5637-2
B	134135	Terminal – Receptacle	Delphi	M/P 630	12015870
		Mating Connector		NGR Switch	
	134159	Extraction Tool		12094430	
		Crimp Tool			

TEN-POSITION CONNECTORS

11.3

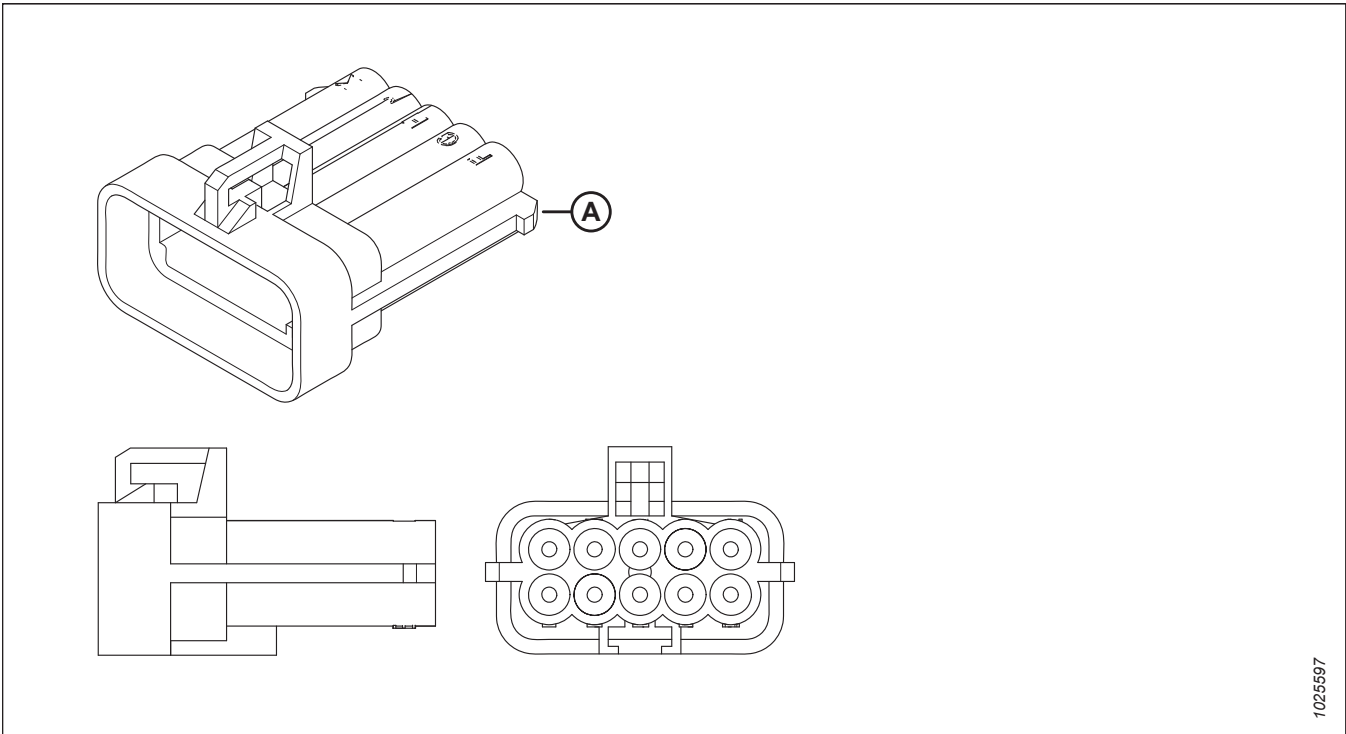


1025596

	MacDon Part #	Description	Manufacturer	Series	Manufacturer Part #
A		Connector – Plug	Delphi		12065425
B		Terminal		MP150	12048074
		Lock			
		Secondary Lock			
		Seal			12048086
		Mating Connector		12045808	
		Extraction Tool			
		Crimp Tool			
		Cavity Plug			
		Boots/Caps			

TEN-POSITION CONNECTORS

11.4

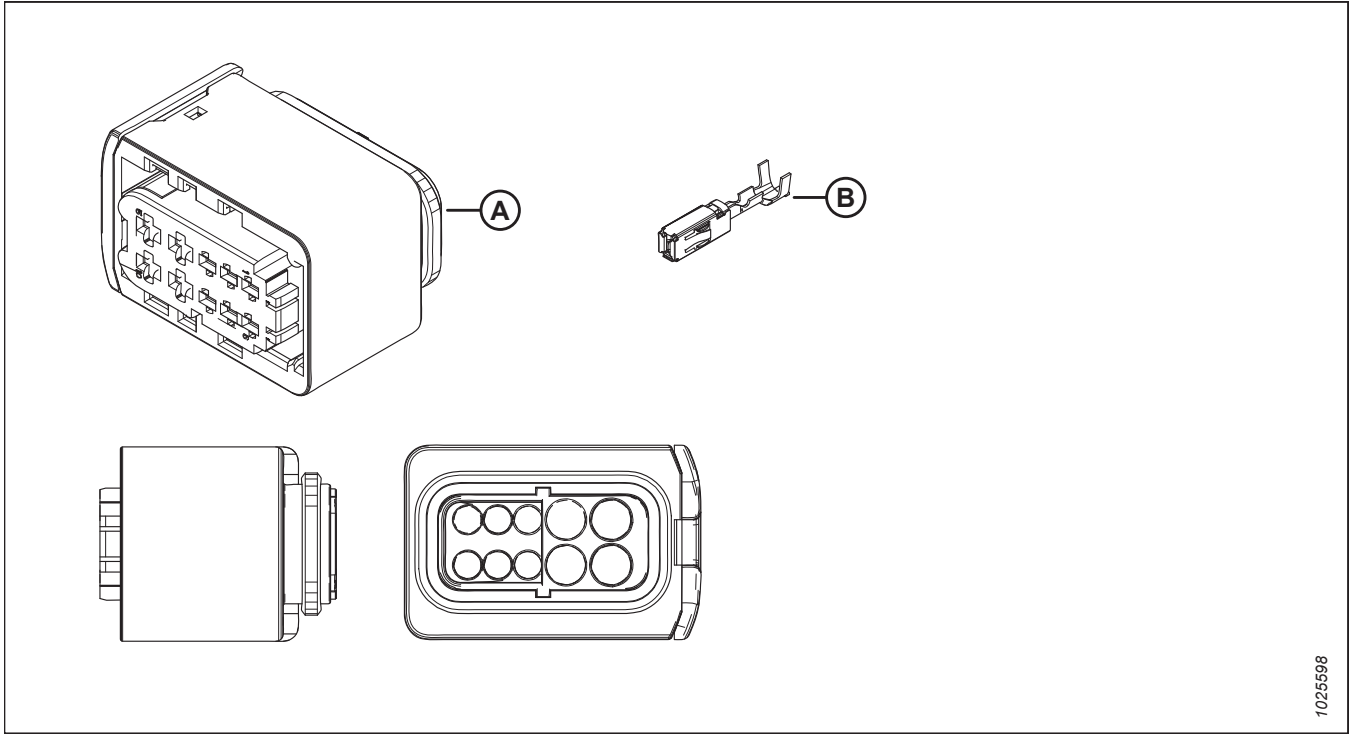


1025597

	MacDon Part #	Description	Manufacturer	Series	Manufacturer Part #
A		Connector – Receptacle	Delphi		12045808
		Terminal			12045773
		Lock			12124264
		Secondary Lock			
		Seal			12048086
		Mating Connector		12065425	
		Extraction Tool			
		Crimp Tool			
		Cavity Plug			
		Boots/Caps			

TEN-POSITION CONNECTORS

11.5

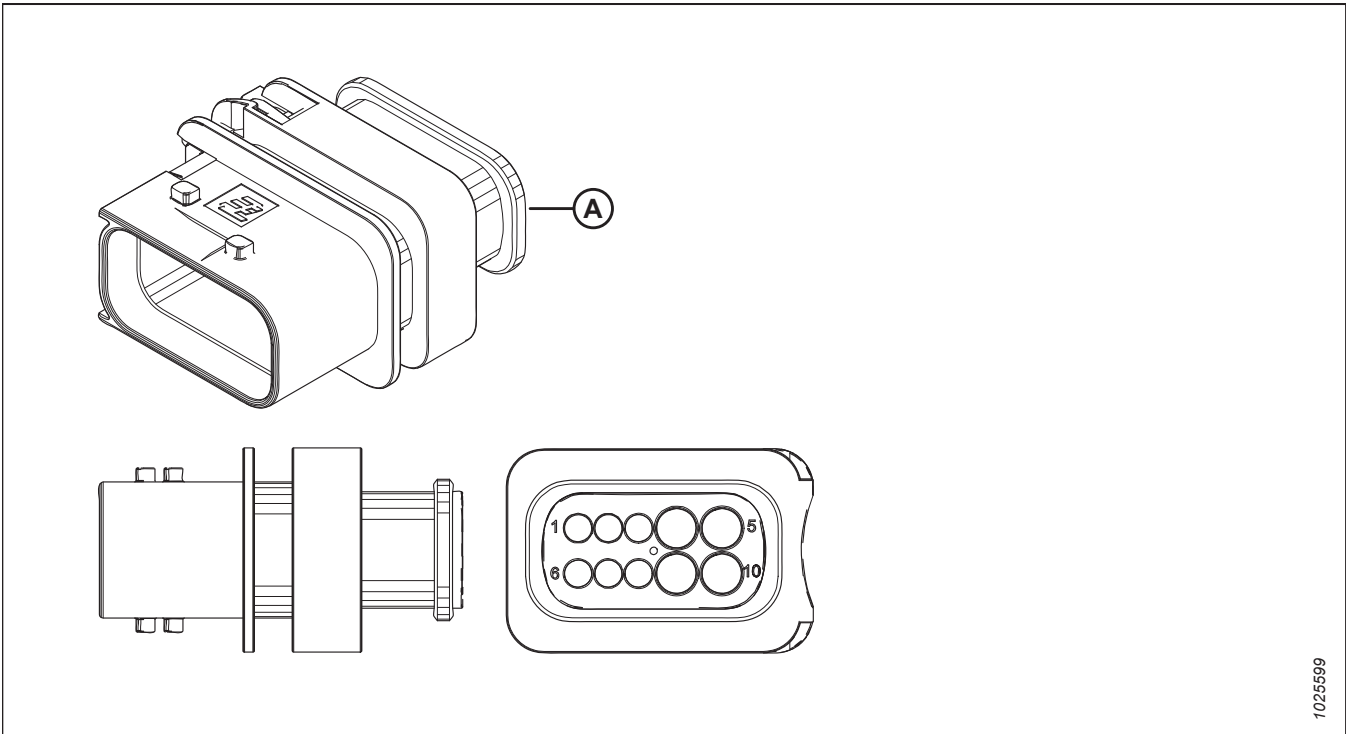


1025598

	MacDon Part #	Description	Manufacturer	Series	Manufacturer Part #
A		Connector – Plug	Tyco	HDSCS	1-1564514-1
B		Terminal			1-968855-1, 1-968882-1
		Lock			
		Secondary Lock			
		Seal			
		Mating Connector	1-1564516-1, 1-1564518-1		
		Extraction Tool			
		Crimp Tool			
		Cavity Plug			
		Boots/Caps			

TEN-POSITION CONNECTORS

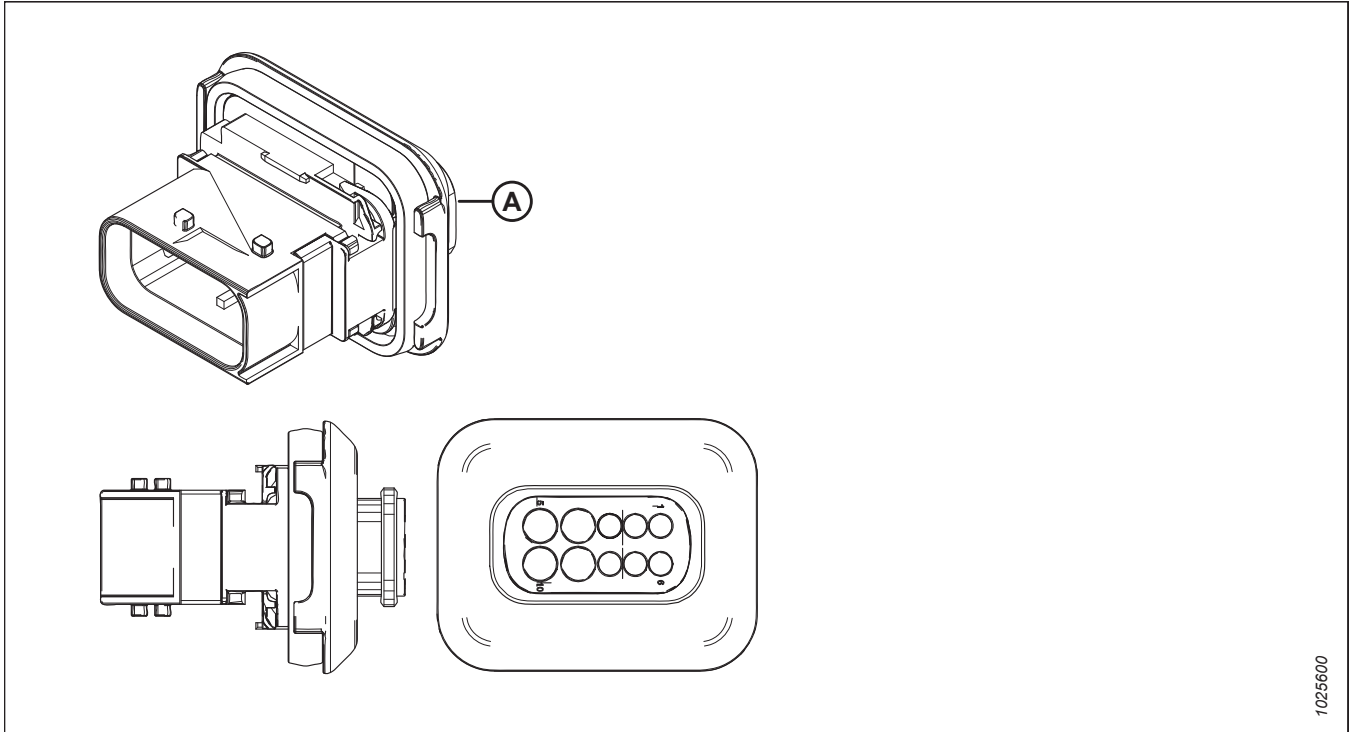
11.6



1025599

	MacDon Part #	Description	Manufacturer	Series	Manufacturer Part #
A		Connector – Receptacle	Tyco		1-1564516-1
		Terminal			
		Lock			
		Secondary Lock			
		Seal			
		Mating Connector		1-1564514-1	
		Extraction Tool			
		Crimp Tool			
		Cavity Plug			
		Boots/Caps			

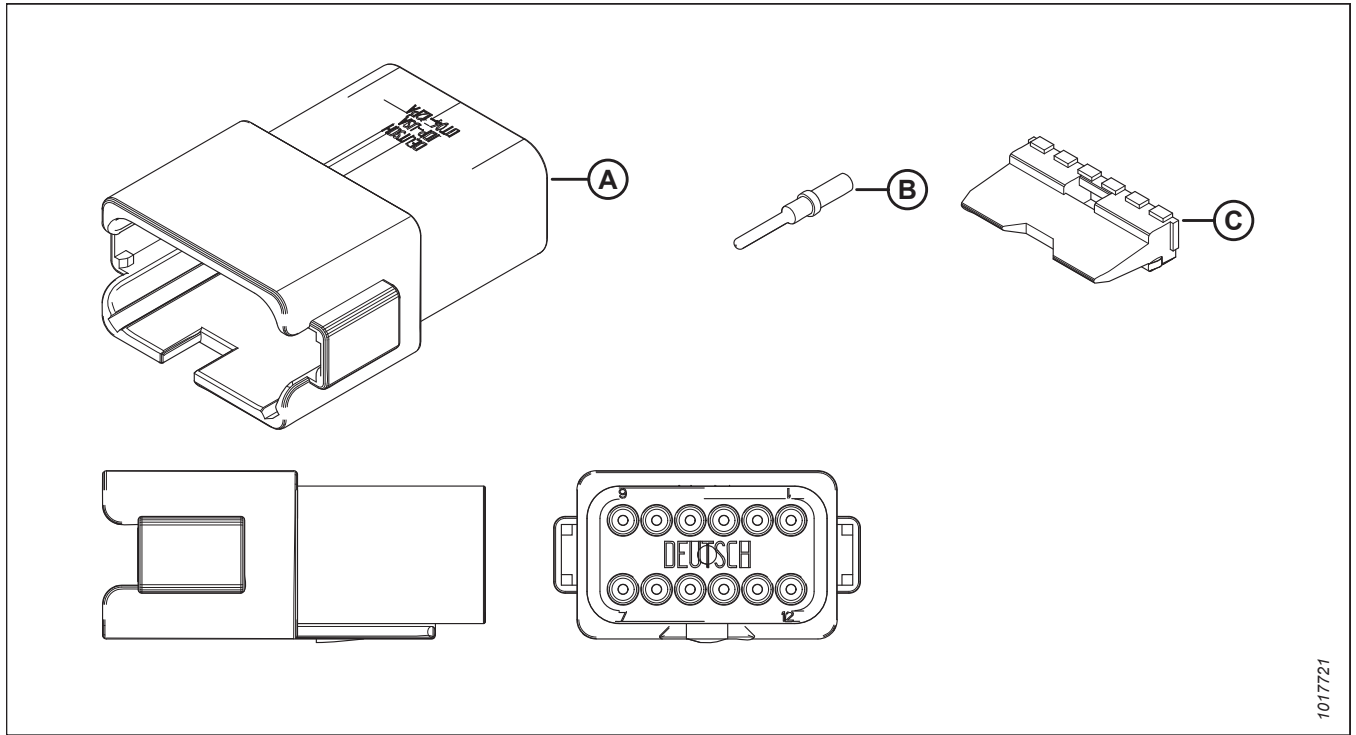
11.7



	MacDon Part #	Description	Manufacturer	Series	Manufacturer Part #
A		Connector – Receptacle	Tyco		1-1564518-1
		Terminal			
		Lock			
		Secondary Lock			
		Seal			
		Mating Connector		1-1564514-1	
		Extraction Tool			
		Crimp Tool			
		Cavity Plug			
		Boots/Caps			

Chapter 12: 12-Position Connectors

12.1

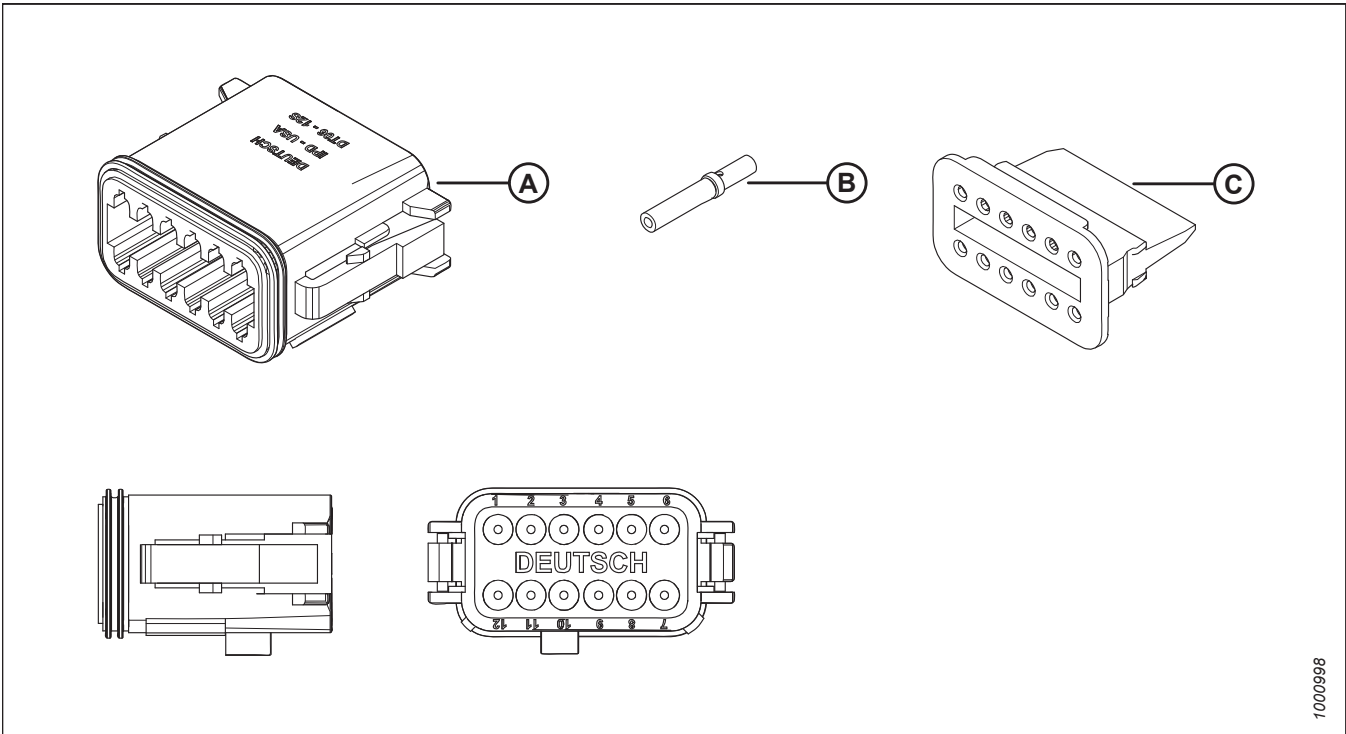


1017721

	MacDon Part #	Description	Manufacturer	Series	Manufacturer Part #
A		Connector – Receptacle (14–20 ga)	Deutsch	DT	DT04-12PA-B016
B	134023	Terminal – Pin	Deutsch	Size 16	0460-202-16141 (nickel), 0460-202-1631 (gold)
C	134109	Lock	Deutsch	DT	W12P
	134038	Mating Connector		DT06-12SA-B016	
		Extraction Tool			
	134015	Crimp Tool		HDT-48-00	

12-POSITION CONNECTORS

12.2

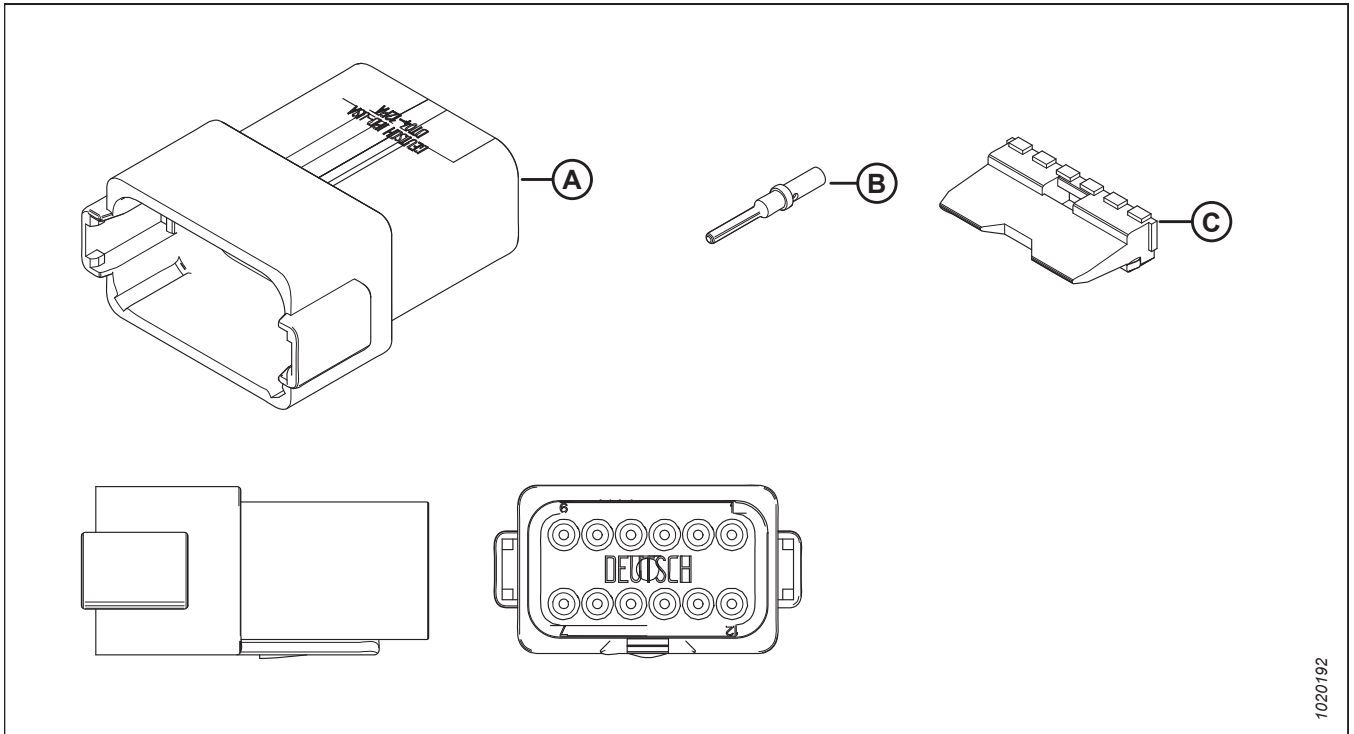


1000998

	MacDon Part #	Description	Manufacturer	Series	Manufacturer Part #
A	134038	Connector – Plug	Deutsch	DT	DT06-12SA-B016
B	134026	Terminal – Socket	Deutsch	Size 16	0462-201-16141 (nickel), 0462-201-1631 (gold)
C	134039	Lock	Deutsch	DT	W12S-P012
		Mating Connector		DT04-12PA-B016	
		Extraction Tool			
		Crimp Tool			

12-POSITION CONNECTORS

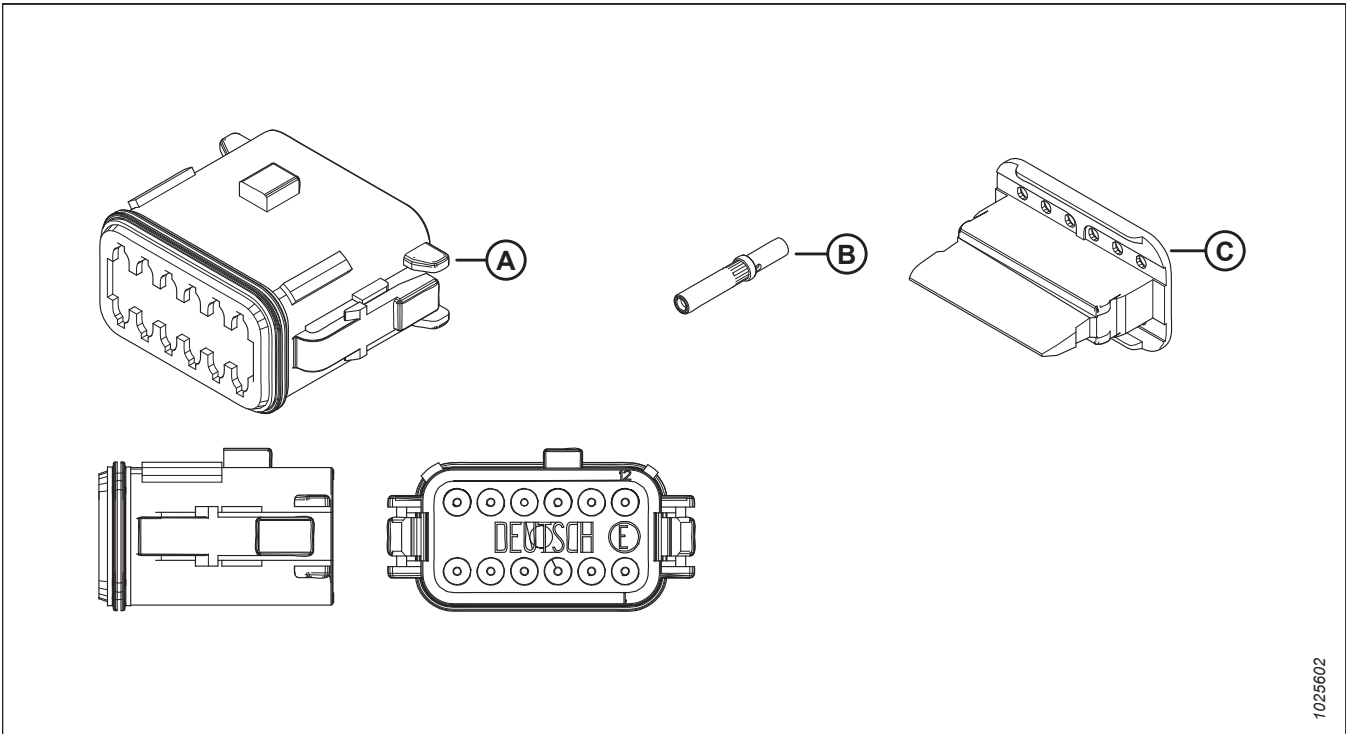
12.3



	MacDon Part #	Description	Manufacturer	Series	Manufacturer Part #
A		Connector – Receptacle	Deutsch	DT	DT04-12PA
B	134023	Terminal – Pin		Size 16	0460-202-16141 (nickel), 0460-202-1631 (gold)
C		Lock			W12P
		Mating Connector		DT06-12SA	
		Extraction Tool			
		Crimp Tool			

12-POSITION CONNECTORS

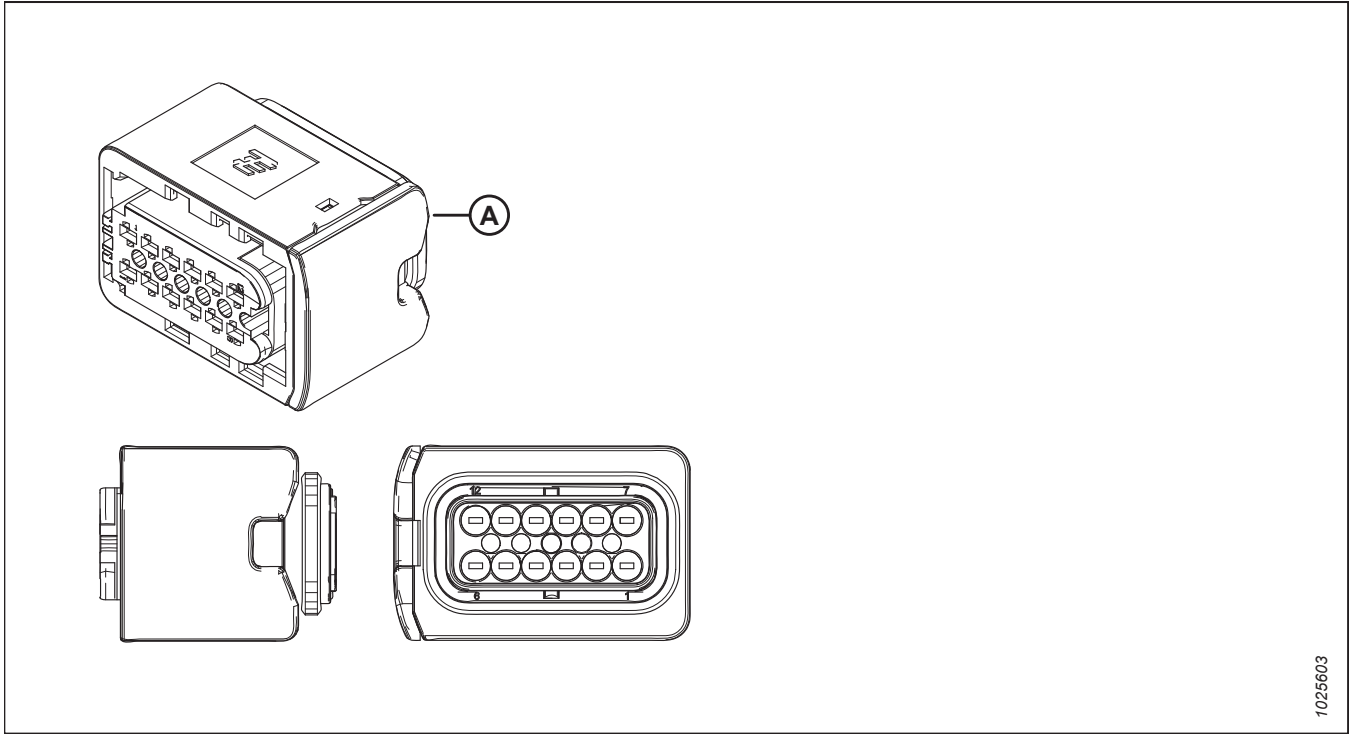
12.4



	MacDon Part #	Description	Manufacturer	Series	Manufacturer Part #
A		Connector – Plug	Deutsch	DT	DT06-12SA-CE10
B	134026	Terminal – Socket		Size 16	0462-201-16141 (nickel), 0462-201-1631 (gold)
C		Lock			W12S-P012
		Secondary Lock			
		Seal			
		Mating Connector			
		Extraction Tool			
		Crimp Tool			
		Cavity Plug			
		Boots/Caps			

12-POSITION CONNECTORS

12.5

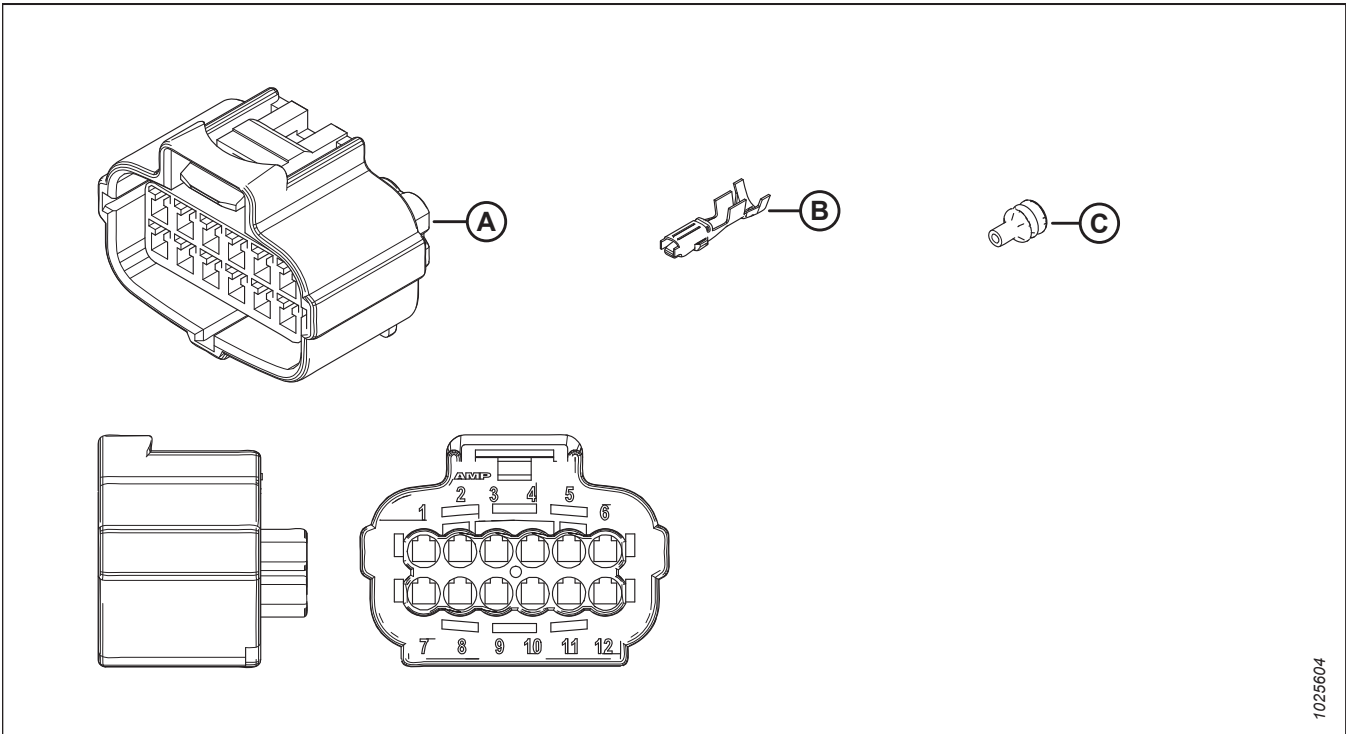


1025603

	MacDon Part #	Description	Manufacturer	Series	Manufacturer Part #
A		Connector – Plug	Tyco		1-1703639-1
		Terminal			
		Lock			
		Secondary Lock			
		Seal			
		Mating Connector	1-1564520-1, 1-1564414-1		
		Extraction Tool			
		Crimp Tool			
		Cavity Plug			
		Boots/Caps			

12-POSITION CONNECTORS

12.6

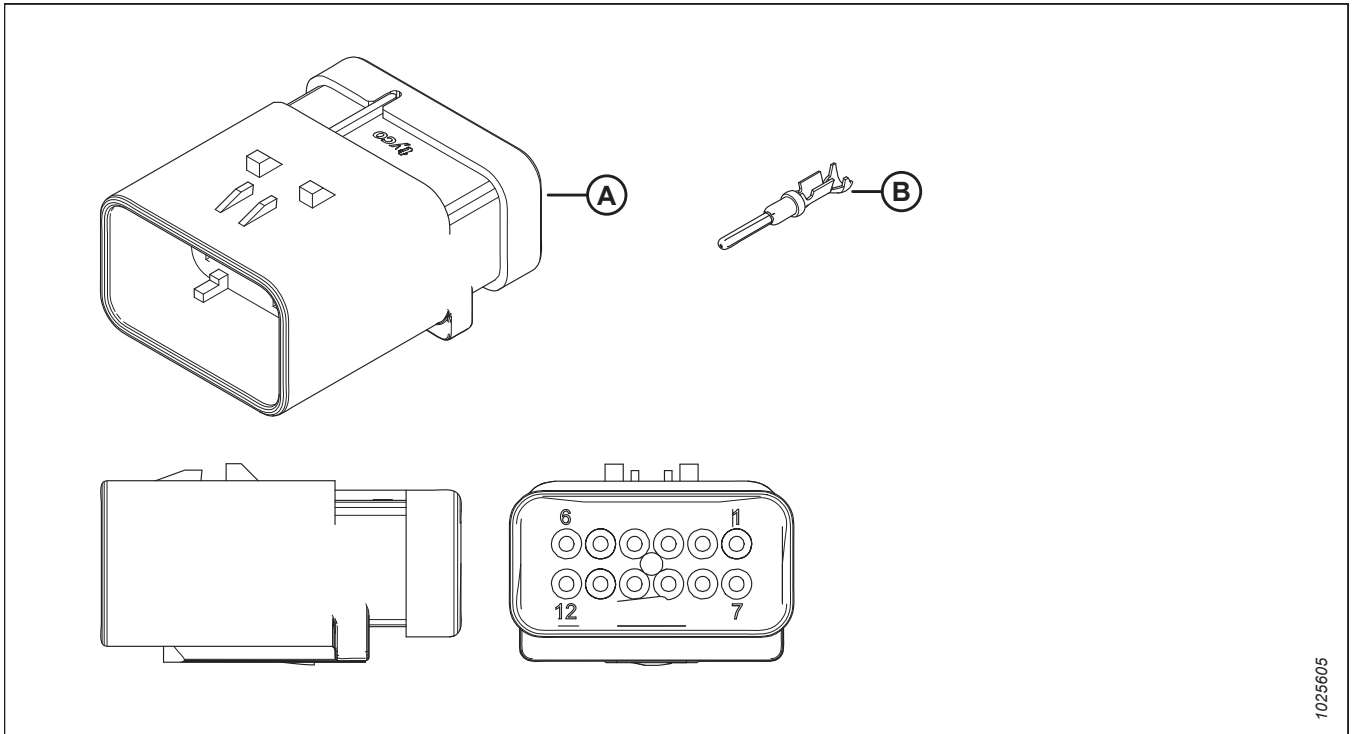


1025604

	MacDon Part #	Description	Manufacturer	Series	Manufacturer Part #
A		Connector – Plug	Tyco		184115-1
B		Terminal			184030, 184095, 184373
		Lock			184058
		Secondary Lock			
C		Seal			184139, 184140, 184141
		Mating Connector			
		Extraction Tool			
		Crimp Tool			
		Cavity Plug			
		Boots/Caps			

12-POSITION CONNECTORS

12.7

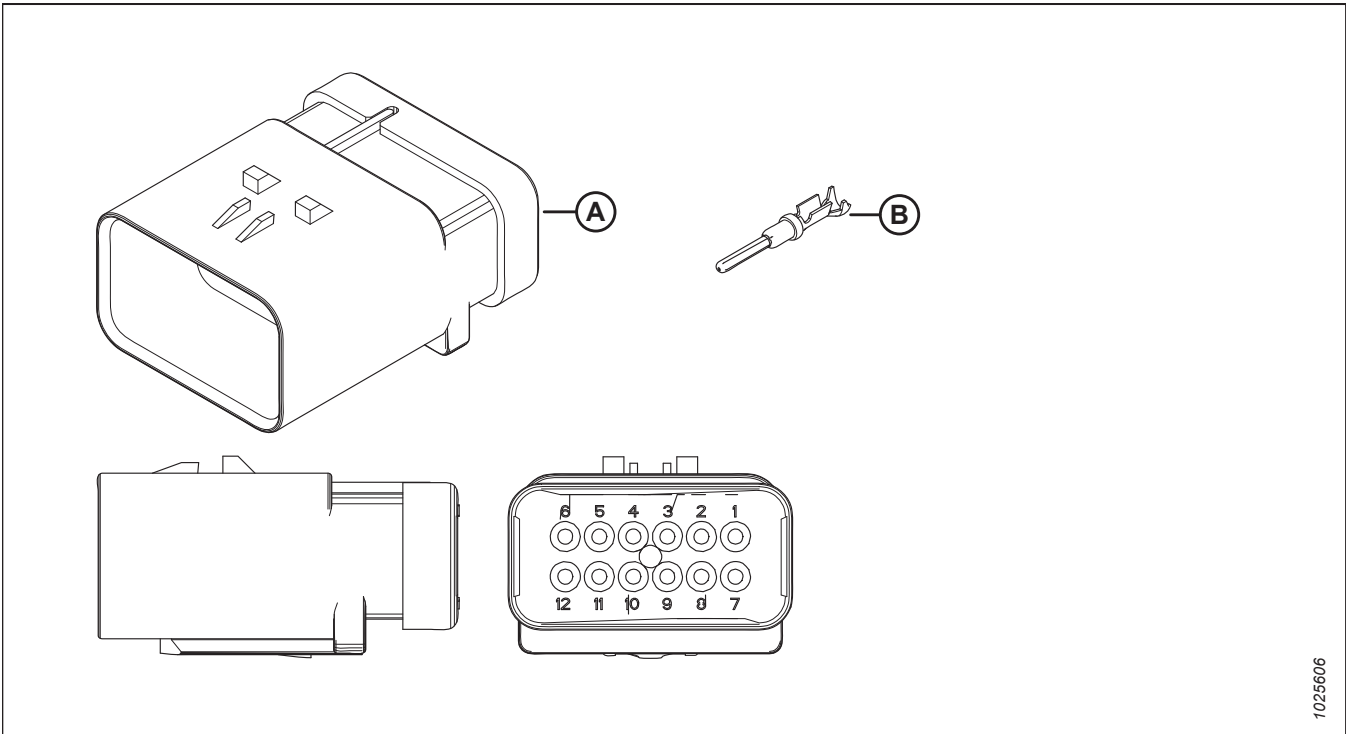


1025605

	MacDon Part #	Description	Manufacturer	Series	Manufacturer Part #
A		Connector – Receptacle (RED Insert)	Tyco	Ampseal 16	776438-1
B		Terminal			1924463, 2098250
		Lock			
		Secondary Lock			
		Seal			
		Mating Connector			
		Extraction Tool		776441-1	
		Crimp Tool			
		Cavity Plug		776364-1	
		Boots/Caps		2035047, 2292865, 2302486	

12-POSITION CONNECTORS

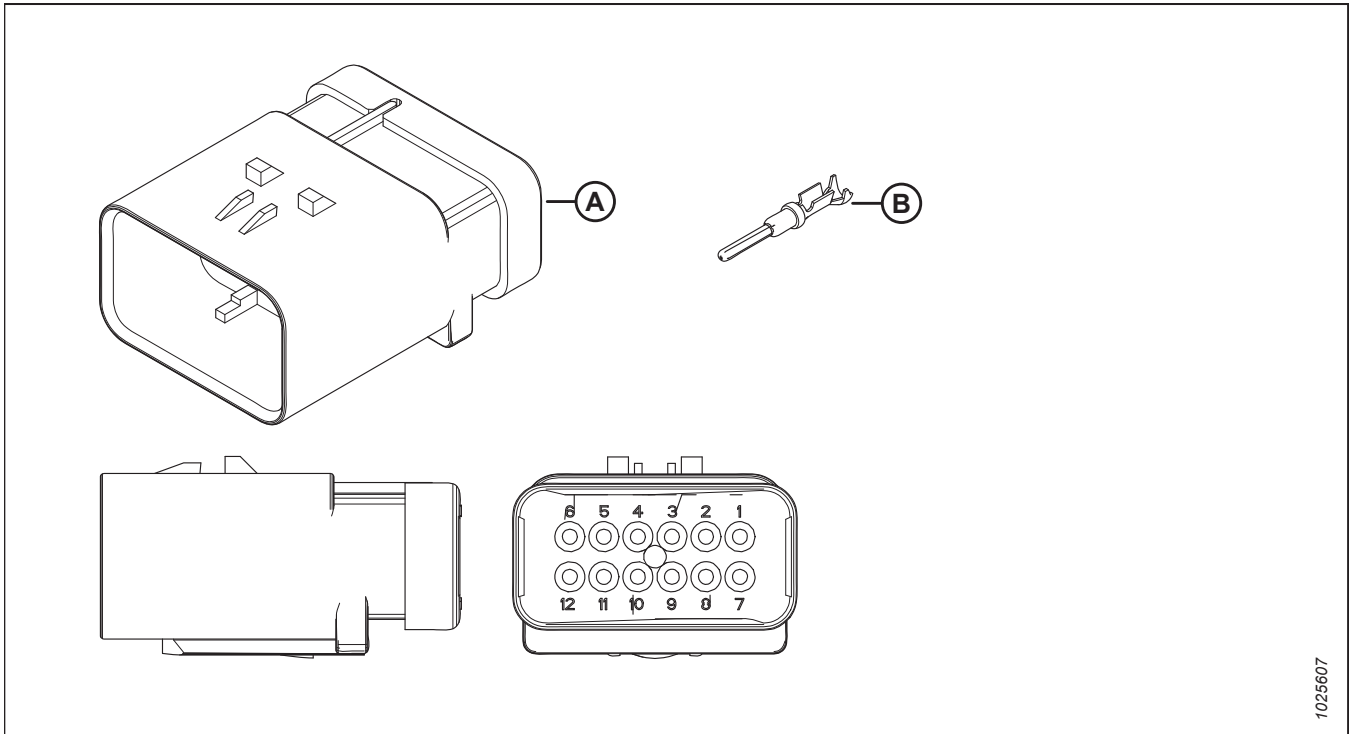
12.8



	MacDon Part #	Description	Manufacturer	Series	Manufacturer Part #
A		Connector – Receptacle (GRAY Insert)	Tyco	Ampseal 16	776438-2
B		Terminal			1924463, 2098250
		Lock			
		Secondary Lock			
		Seal			
		Mating Connector			
		Extraction Tool		776441-1	
		Crimp Tool			
		Cavity Plug		776364-1	
		Boots/Caps		2035047, 2292865, 2302486	

12-POSITION CONNECTORS

12.9

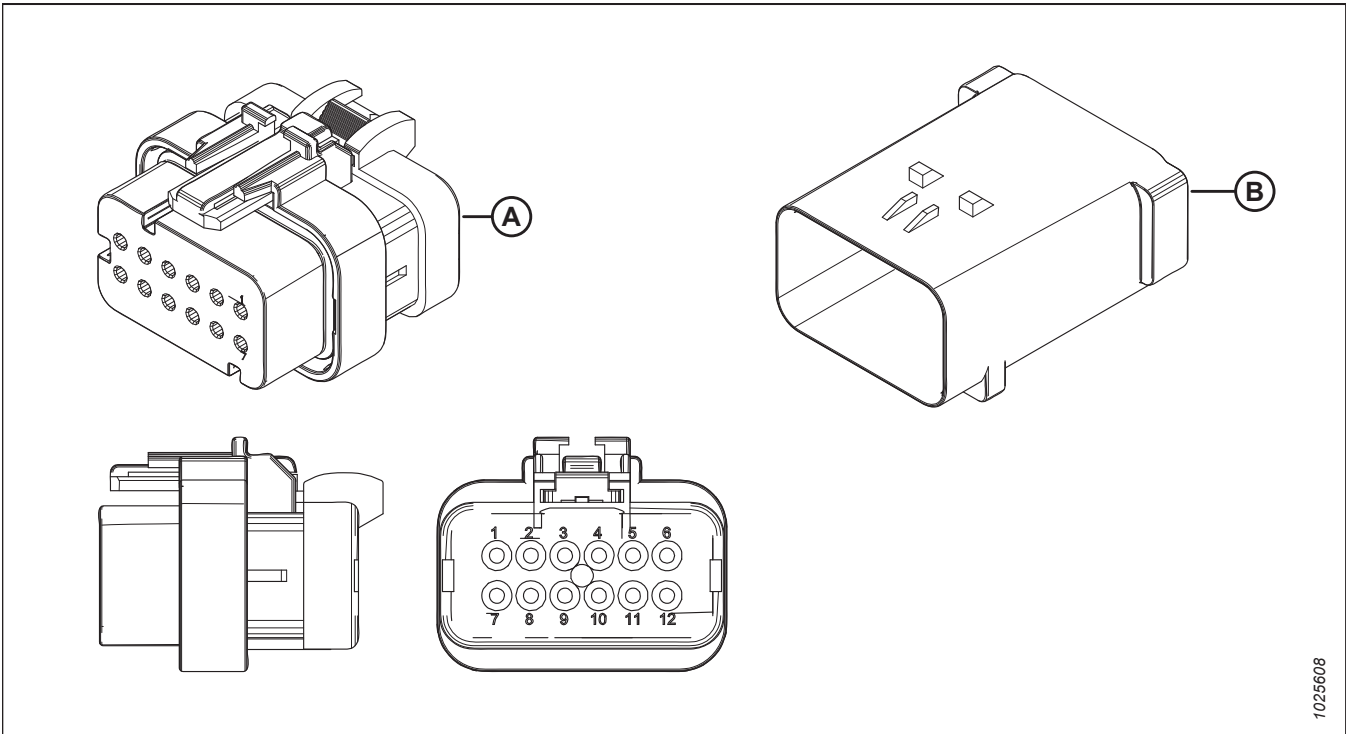


1025607

	MacDon Part #	Description	Manufacturer	Series	Manufacturer Part #
A		Connector – Receptacle (YELLOW Insert)	Tyco	Ampseal 16	776438-3
B		Terminal			1924463, 2098250
		Lock			
		Secondary Lock			
		Seal			
		Mating Connector			
		Extraction Tool		776441-1	
		Crimp Tool			
		Cavity Plug		776364-1	
		Boots/Caps		2035047, 2292865, 2302486	

12-POSITION CONNECTORS

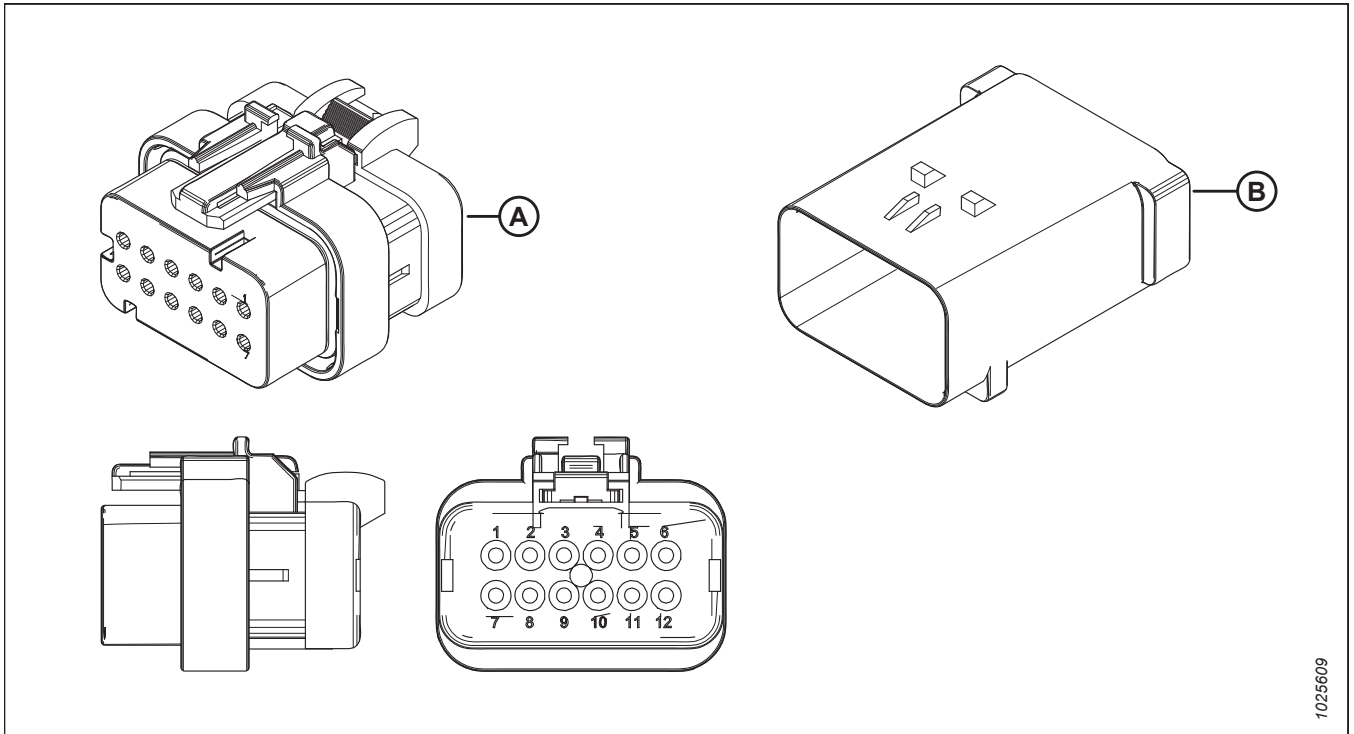
12.10



	MacDon Part #	Description	Manufacturer	Series	Manufacturer Part #
A		Connector – Plug (RED Insert)	Tyco	Ampseal 16	776437-1
		Terminal			776491, 776492, 776491, 2098253 (gold)
		Lock			
		Secondary Lock			
B		Seal Cap			2040594-6
		Mating Connector			
		Extraction Tool		776441-1	
		Crimp Tool			
		Cavity Plug		776363	
		Boots/Caps		2035047, 2040594, 2292802, 2302495	

12-POSITION CONNECTORS

12.11

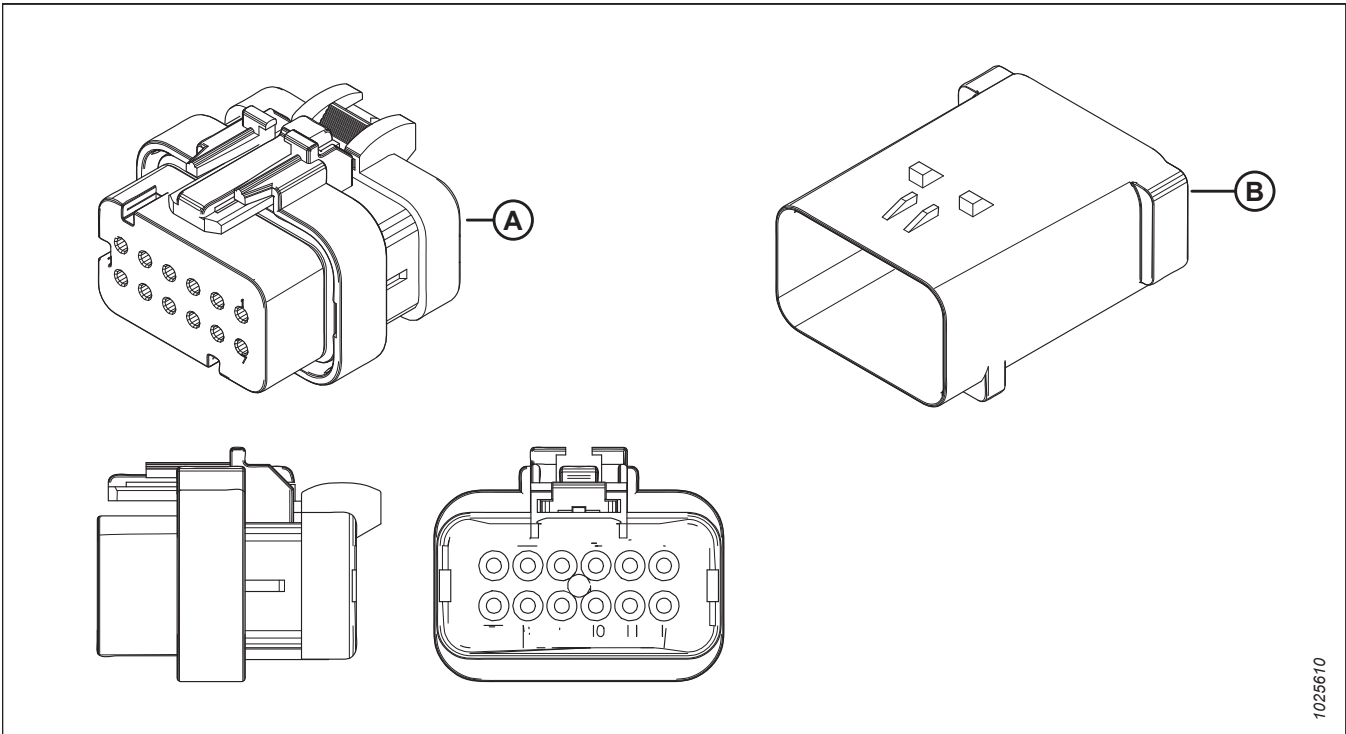


1025609

	MacDon Part #	Description	Manufacturer	Series	Manufacturer Part #
A		Connector – Plug (GRAY Insert)	Tyco	Ampseal 16	776437-2
		Terminal			776491, 776492, 2098253, 776491
		Lock			
		Secondary Lock			
B		Seal Cap			2040594-6
		Mating Connector			
		Extraction Tool		776441-1	
		Crimp Tool			
		Cavity Plug		776363	
		Boots/Caps		2035047, 2040594, 2292802, 2302495	

12-POSITION CONNECTORS

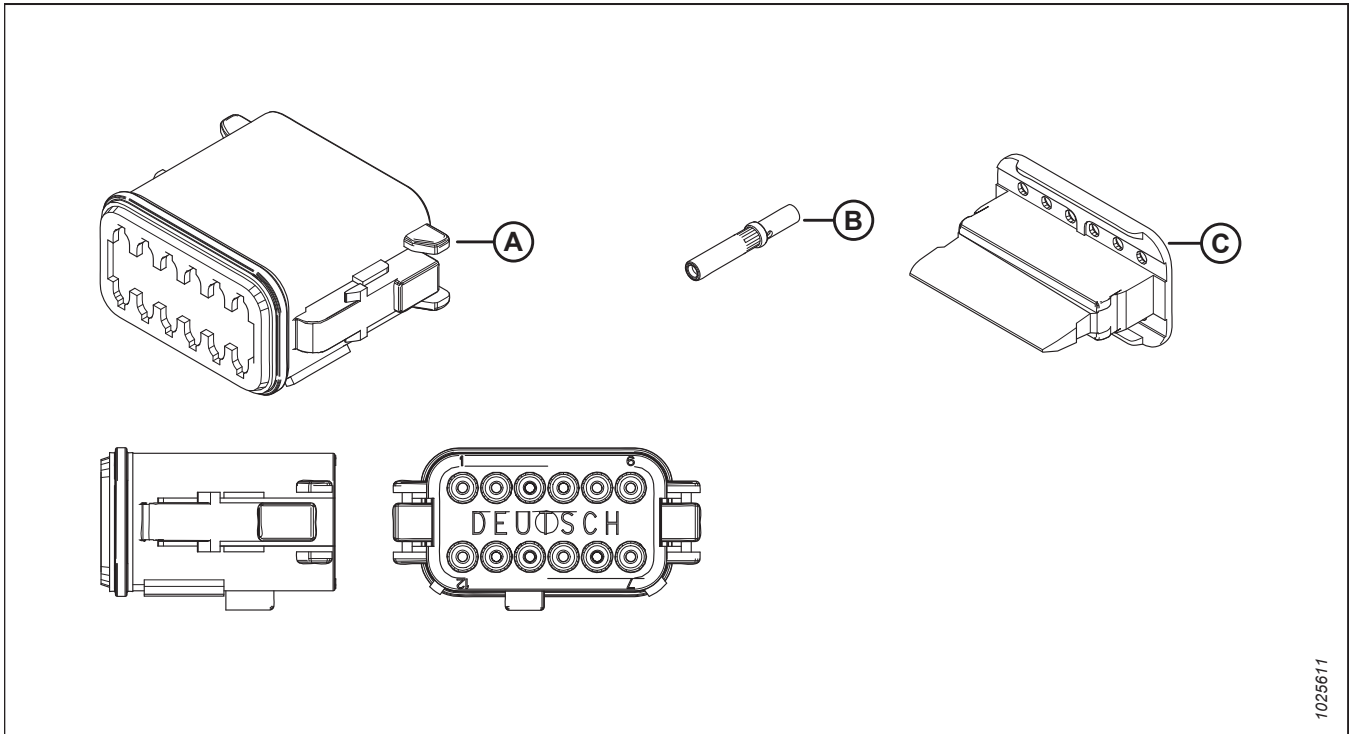
12.12



	MacDon Part #	Description	Manufacturer	Series	Manufacturer Part #
A		Connector – Plug (YELLOW Insert)	Tyco	Ampseal 16	776437-3
		Terminal			776491, 776492, 2098253, 776491
		Lock			
		Secondary Lock			
B		Seal Cap			2040594-6
		Mating Connector			
		Extraction Tool		776441-1	
		Crimp Tool			
		Cavity Plug		776363	
		Boots/Caps		2035047, 2040594, 2292802, 2302495	

12-POSITION CONNECTORS

12.13

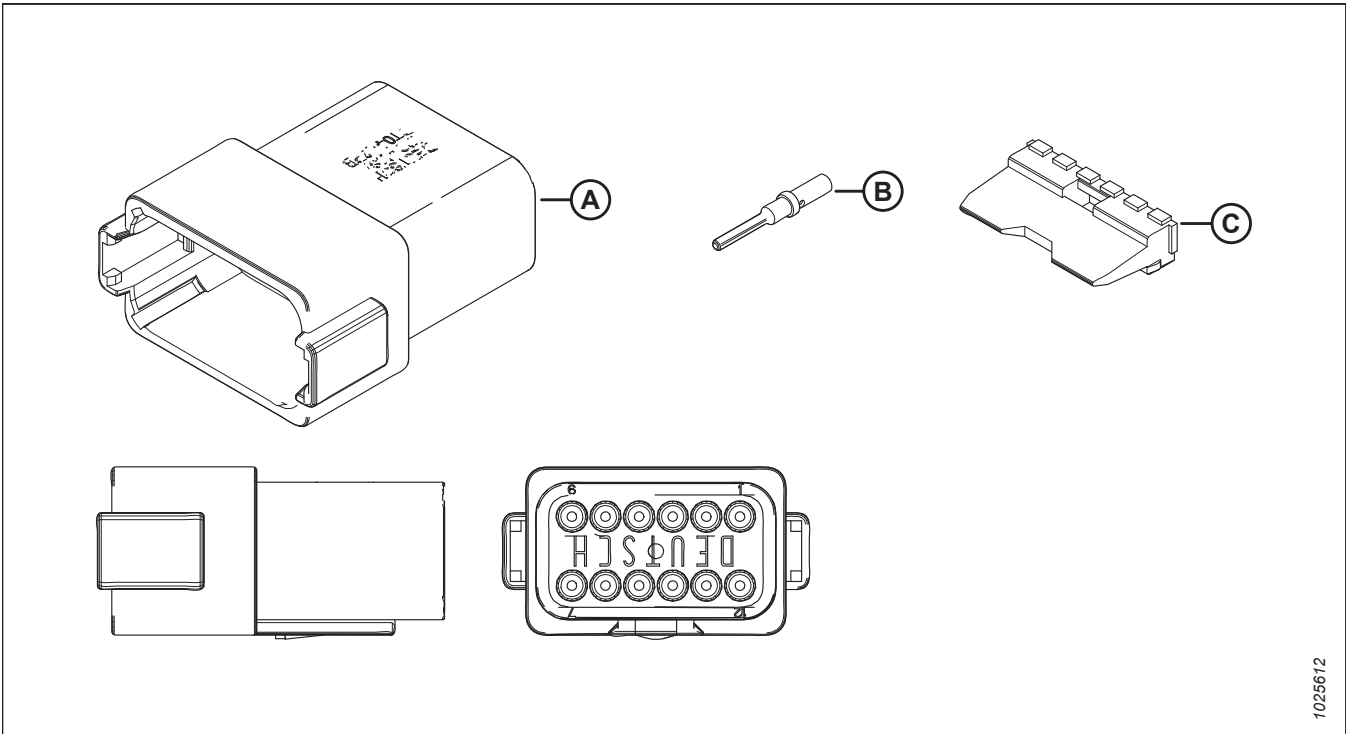


1025611

	MacDon Part #	Description	Manufacturer	Series	Manufacturer Part #
A		Connector – Plug	Deutsch	DT	DT06-12SA-P012
B	134026	Terminal – Socket		Size 16	0462-201-16141 (nickel), 0462-201-1631 (gold)
C		Lock			W12S-P012
		Secondary Lock			
		Seal			
		Mating Connector	DT04-12PA-B016, DT04-12PA-BE02, DT04-12PA-BL04		
		Extraction Tool			
		Crimp Tool			
		Cavity Plug			
		Boots/Caps	DT12S-BT, 1028-043-1205, 1011-349-1205		

12-POSITION CONNECTORS

12.14

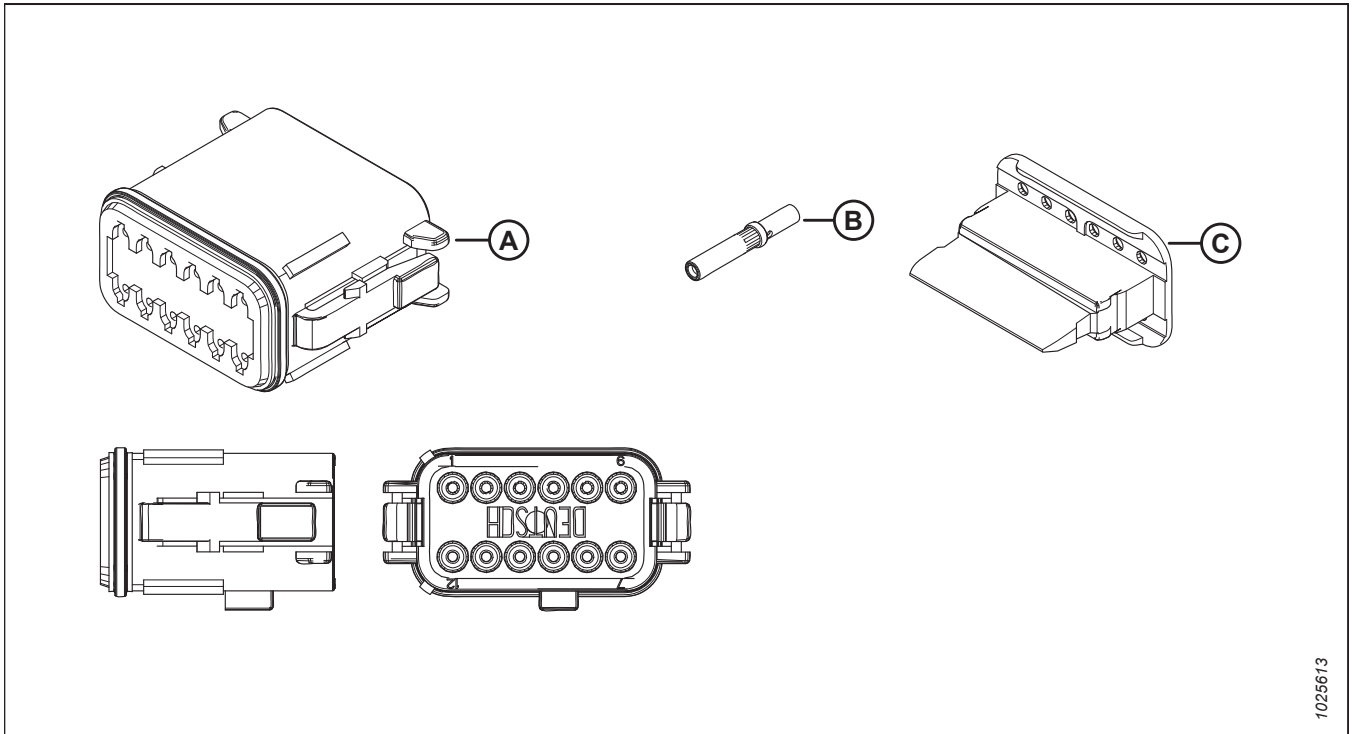


1025612

	MacDon Part #	Description	Manufacturer	Series	Manufacturer Part #
A		Connector – Receptacle	Deutsch	DT	DT04-12PB
B	134023	Terminal – Pin		Size 16	0460-202-16141 (nickel), 0460-202-1631 (gold)
C		Lock			W12P
		Secondary Lock			
		Seal			
		Mating Connector		DT06-12SB	
		Extraction Tool			
		Crimp Tool			
		Cavity Plug			
		Boots/Caps		DT12P-BT, 1011-026-0205, 1011-249-1205, 1027-003-1200	

12-POSITION CONNECTORS

12.15

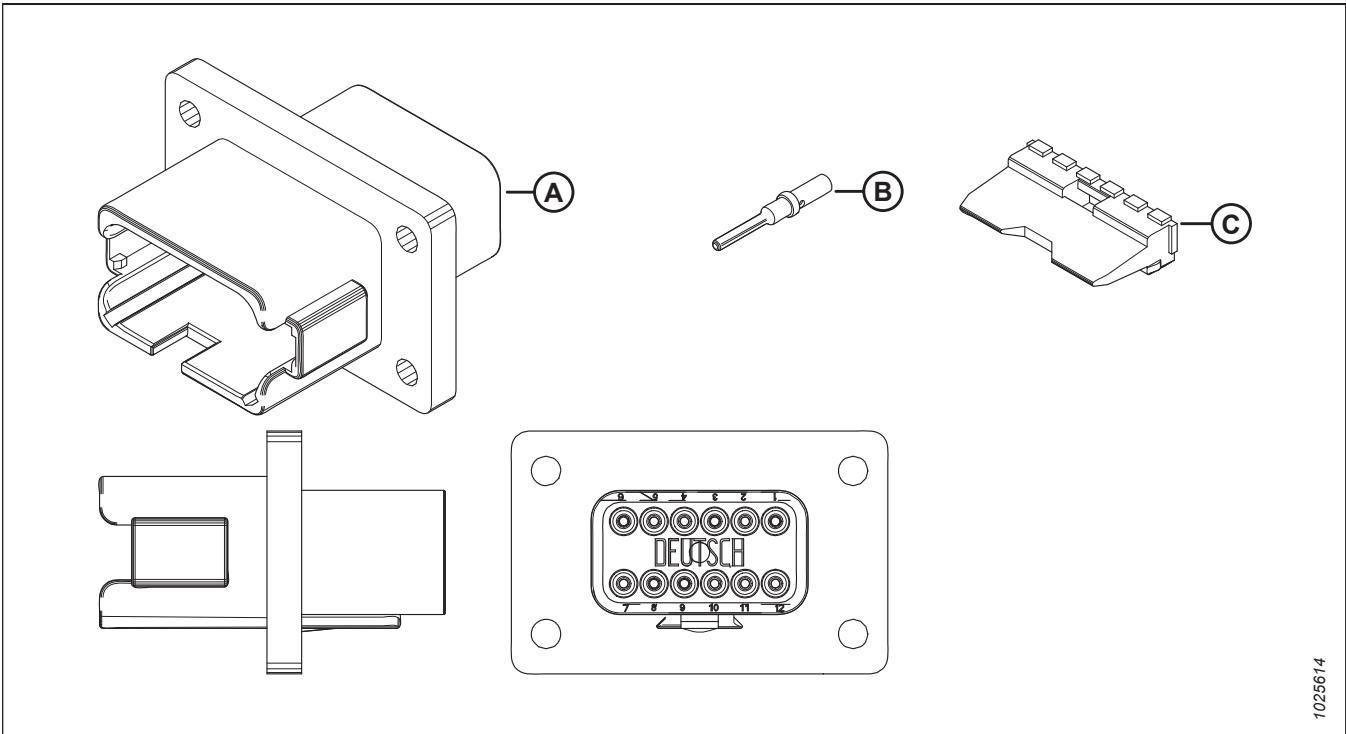


1025613

	MacDon Part #	Description	Manufacturer	Series	Manufacturer Part #
A		Connector – Plug	Deutsch	DT	DT06-12SB-P012
B	134026	Terminal – Socket		Size 16	0462-201-16141 (nickel), 0462-201-1631 (gold)
C		Lock			W12S-P012
		Secondary Lock			
		Seal			
		Mating Connector	DT04-12PB-B016, DT04-12PB-BE02, DT04-12PB-BL04		
		Extraction Tool			
		Crimp Tool			
		Cavity Plug			
		Boots/Caps	DT12S-BT, 1028-043-1205, 1011-349-1205		

12-POSITION CONNECTORS

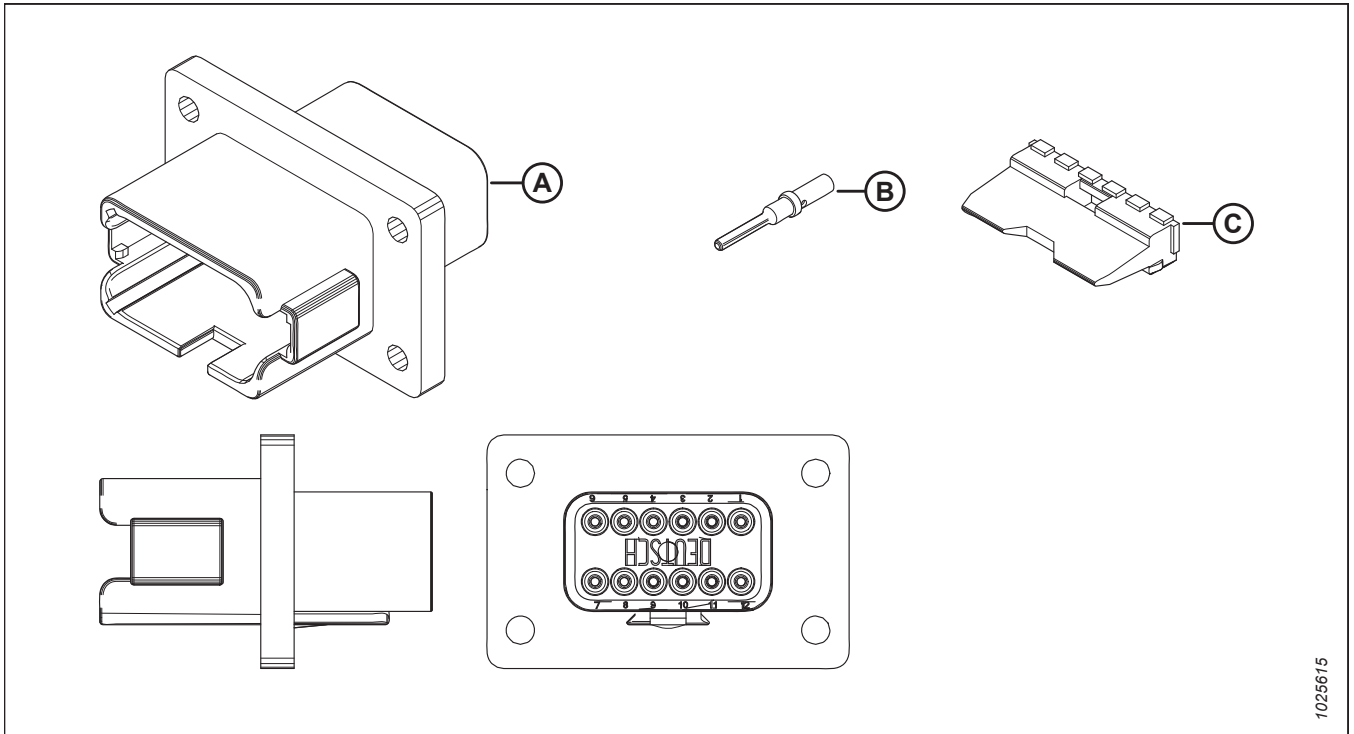
12.16



	MacDon Part #	Description	Manufacturer	Series	Manufacturer Part #
A		Connector – Receptacle	Deutsch	DT	DT04-12PA-BL04
B	134023	Terminal – Pin		Size 16	0460-202-16141 (nickel), 0460-202-1631 (gold)
C		Lock			W12P
		Secondary Lock			
		Seal			
		Mating Connector			
		Extraction Tool			
		Crimp Tool			
		Cavity Plug			
		Boots/Caps			

12-POSITION CONNECTORS

12.17

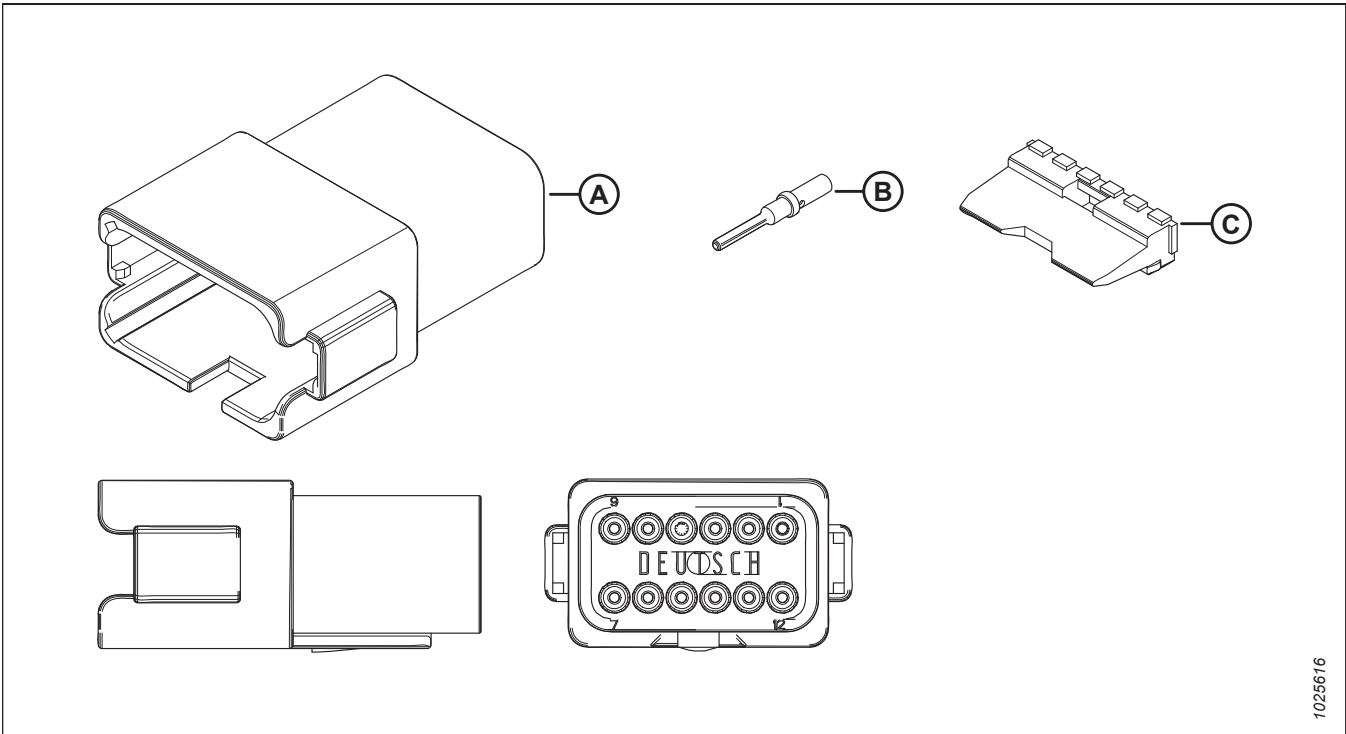


1025615

	MacDon Part #	Description	Manufacturer	Series	Manufacturer Part #
A		Connector – Receptacle	Deutsch	DT	DT04-12PB-BL04
B	134023	Terminal – Pin		Size 16	0460-202-16141 (nickel), 0460-202-1631 (gold)
C		Lock			W12P
		Secondary Lock			
		Seal			
		Mating Connector			
		Extraction Tool			
		Crimp Tool			
		Cavity Plug			
		Boots/Caps			

12-POSITION CONNECTORS

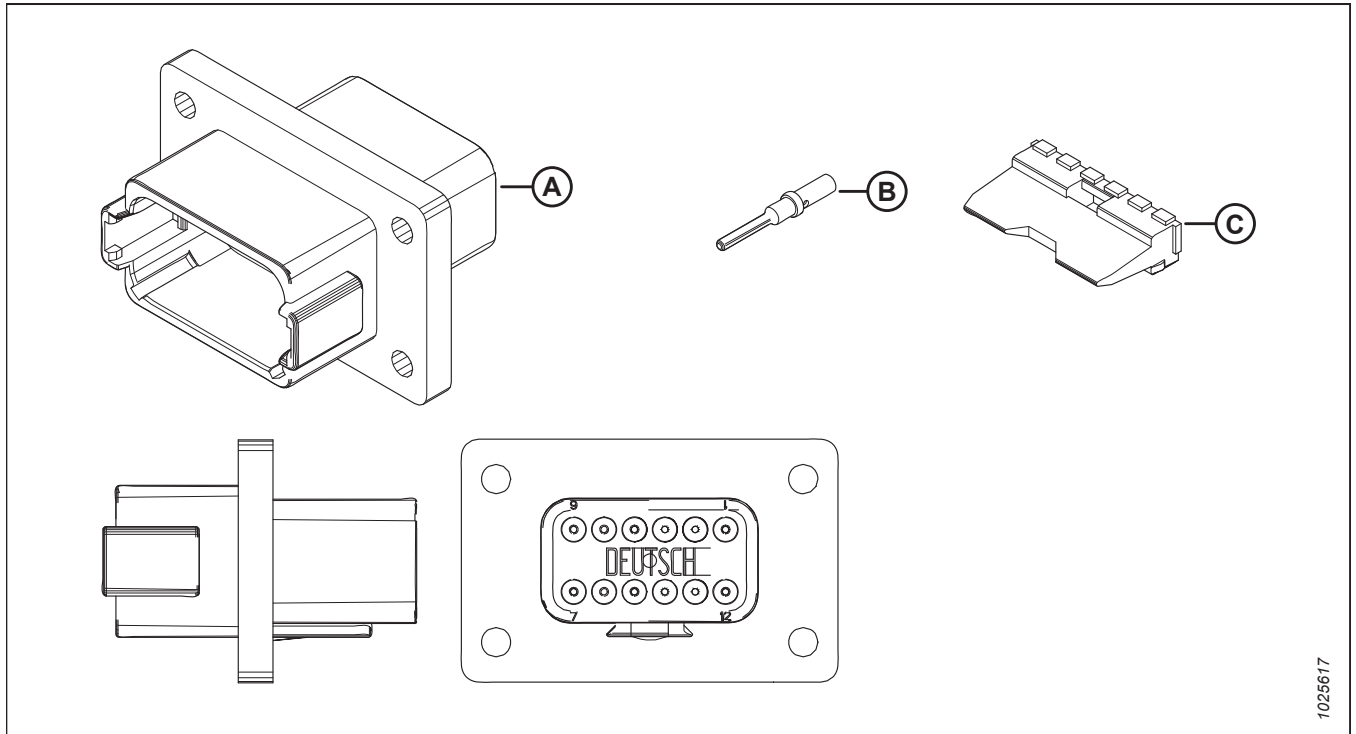
12.18



	MacDon Part #	Description	Manufacturer	Series	Manufacturer Part #
A		Connector – Receptacle	Deutsch	DT	DT04-12PB-B016
B	134023	Terminal – Pin		Size 16	0460-202-16141 (nickel), 0460-202-1631 (gold)
C		Lock			W12P
		Secondary Lock			
		Seal			
		Mating Connector			
		Extraction Tool			
		Crimp Tool			
		Cavity Plug			
		Boots/Caps			

12-POSITION CONNECTORS

12.19

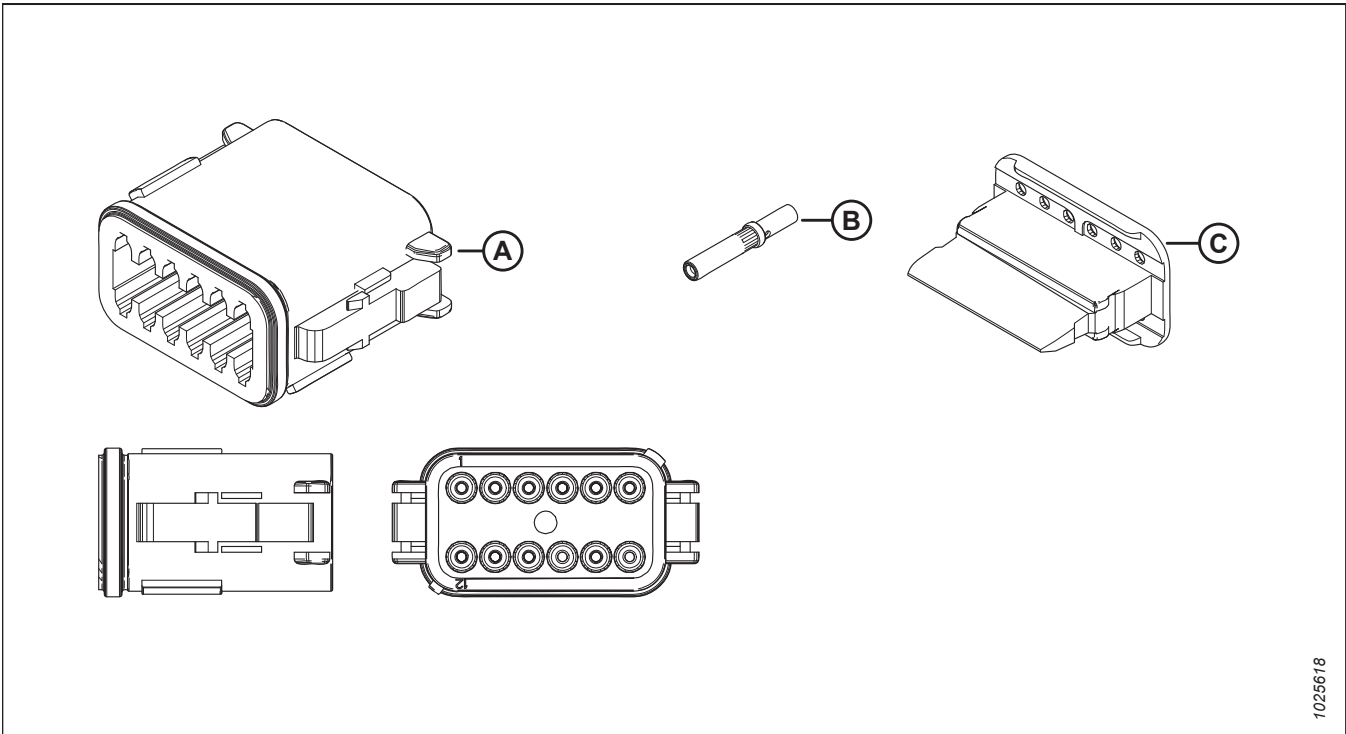


1025617

	MacDon Part #	Description	Manufacturer	Series	Manufacturer Part #
A		Connector – Receptacle	Deutsch	DT	DT04-12PA-L012
B	134023	Terminal – Pin		Size 16	0460-202-16141 (nickel), 0460-202-1631 (gold)
C		Lock			W12P
		Secondary Lock			
		Seal			
		Mating Connector			
		Extraction Tool			
		Crimp Tool			
		Cavity Plug			
		Boots/Caps			

12-POSITION CONNECTORS

12.20

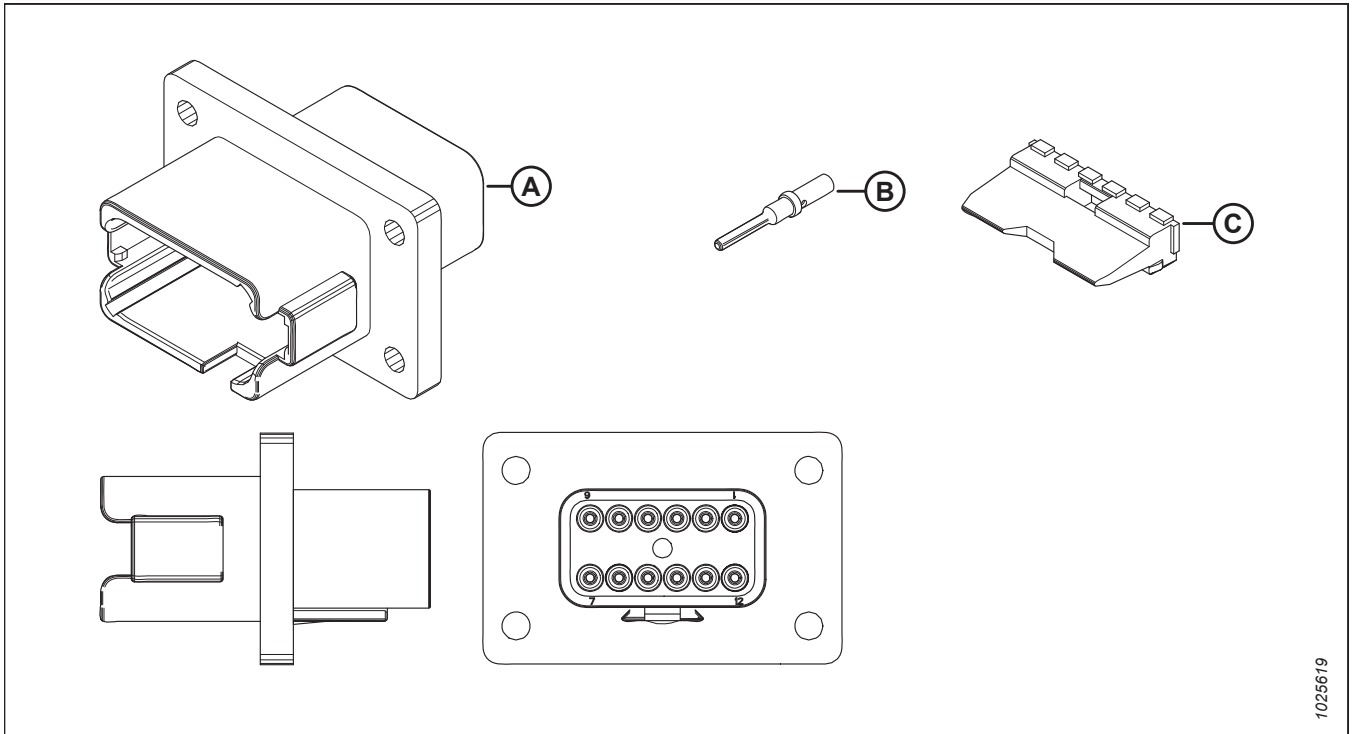


1025618

	MacDon Part #	Description	Manufacturer	Series	Manufacturer Part #
A		Connector – Plug	Deutsch	DT	DT06-12SC
B	134023	Terminal – Socket		Size 16	0462-201-16141 (nickel), 0462-201-1631 (gold)
C		Lock			W12S-P012
		Secondary Lock			
		Seal			
		Mating Connector			
		Extraction Tool			
		Crimp Tool			
		Cavity Plug			
		Boots/Caps			

12-POSITION CONNECTORS

12.21

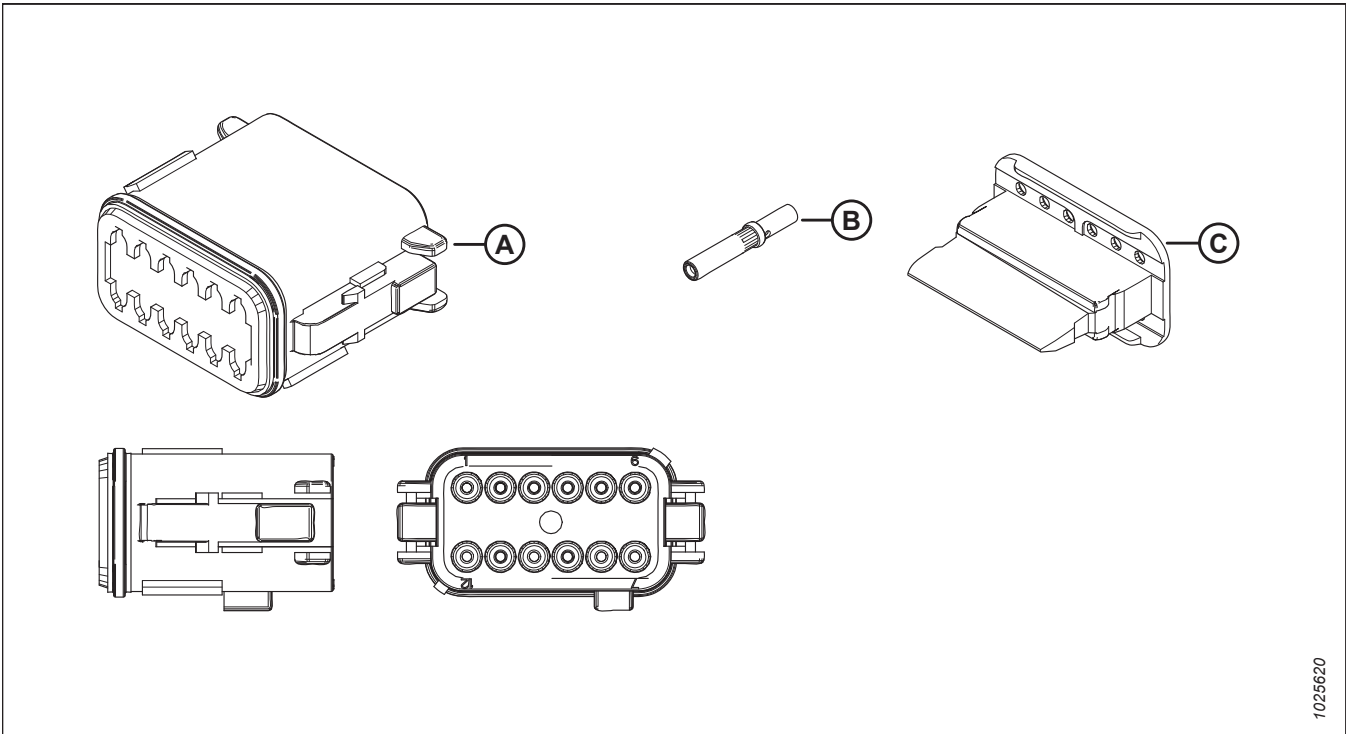


1025619

	MacDon Part #	Description	Manufacturer	Series	Manufacturer Part #
A		Connector – Receptacle	Deutsch	DT	DT04-12PC-BL04
B	134023	Terminal – Pin		Size 16	0460-202-16141 (nickel), 0460-202-1631 (gold)
C		Lock			W12P
		Secondary Lock			
		Seal			
		Mating Connector			
		Extraction Tool			
		Crimp Tool			
		Cavity Plug			
		Boots/Caps			

12-POSITION CONNECTORS

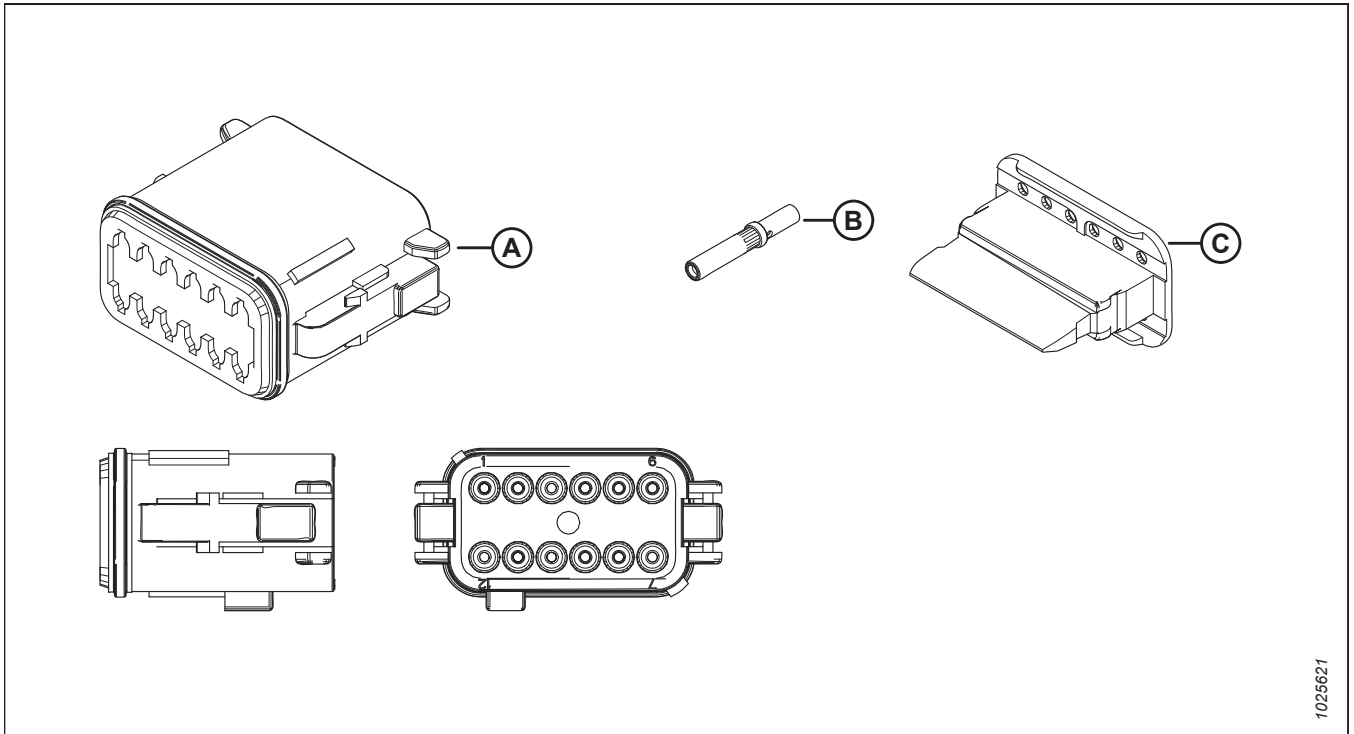
12.22



	MacDon Part #	Description	Manufacturer	Series	Manufacturer Part #
A		Connector – Plug		DT	DT06-12SC-P012
B	134026	Terminal – Socket		Size 16	0462-201-16141 (nickel), 0462-201-1631 (gold)
C		Lock			W12S-P012
		Secondary Lock			
		Seal			
		Mating Connector			
		Extraction Tool			
		Crimp Tool			
		Cavity Plug			
		Boots/Caps			

12-POSITION CONNECTORS

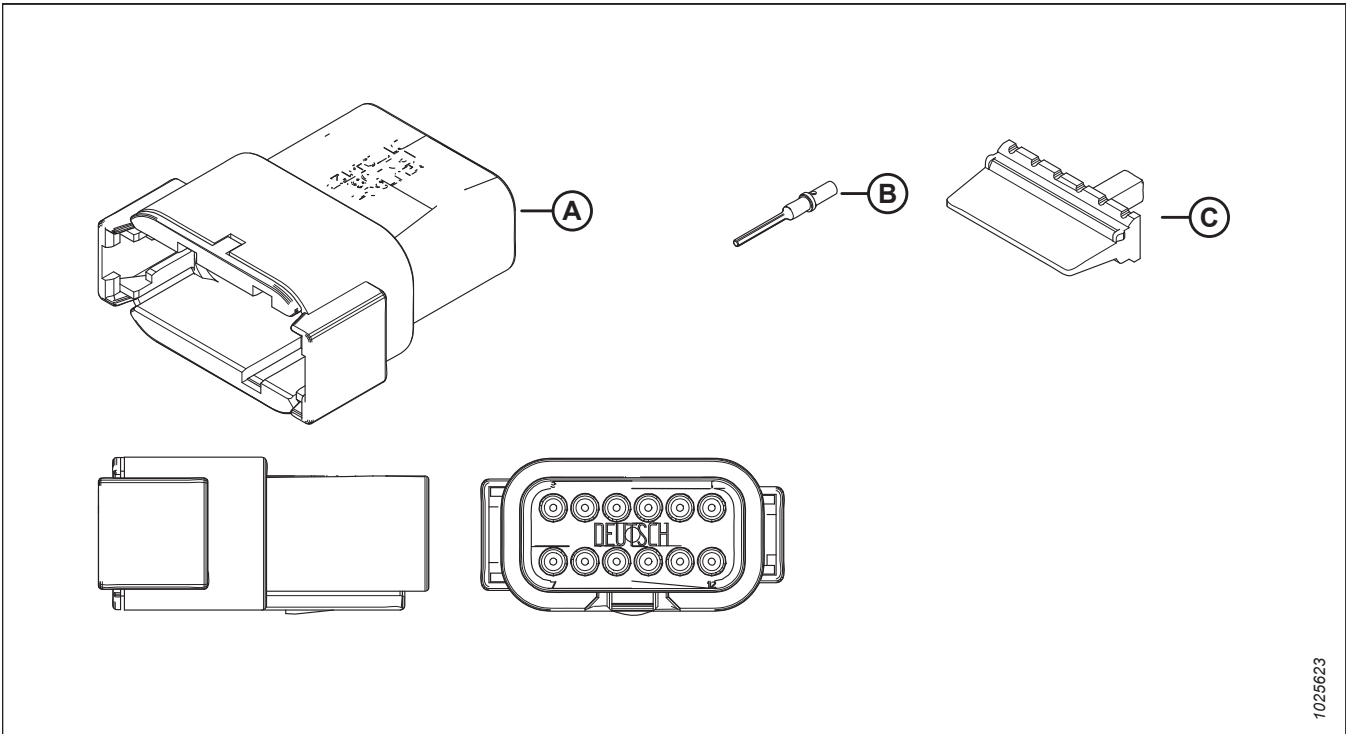
12.23



	MacDon Part #	Description	Manufacturer	Series	Manufacturer Part #
A		Connector – Plug		DT	DT06-12SD-P012
B	134026	Terminal – Socket		Size 16	0462-201-16141 (nickel), 0462-201-1631 (gold)
C		Lock			W12S-P012
		Secondary Lock			
		Seal			
		Mating Connector			
		Extraction Tool			
		Crimp Tool			
		Cavity Plug			
		Boots/Caps			

12-POSITION CONNECTORS

12.24

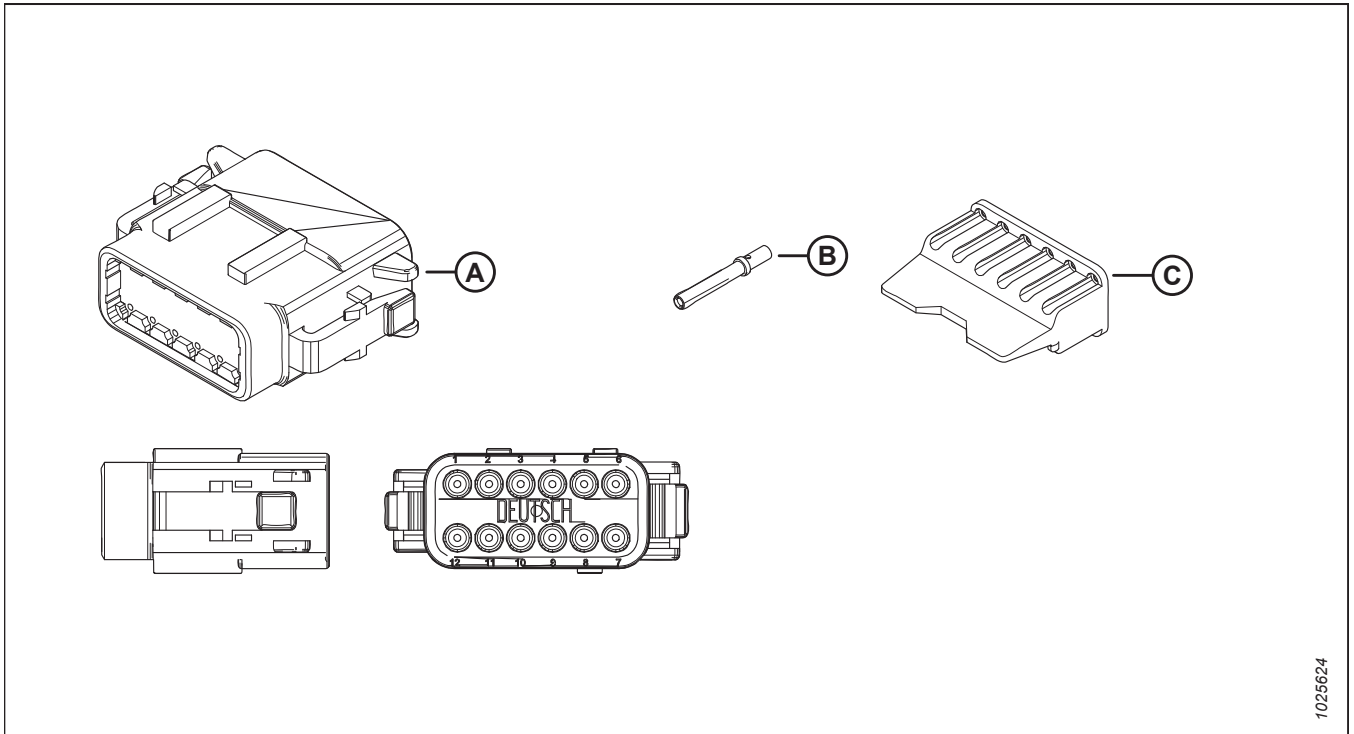


1025623

	MacDon Part #	Description	Manufacturer	Series	Manufacturer Part #
A		Connector – Receptacle	Deutsch	DTM	DTM04-12PA
B	134016	Terminal – Pin		Size 20	0460-202-20141 (nickel), 0460-202-2031 (gold)
C		Lock			WM-12P
		Secondary Lock			
		Seal			
		Mating Connector		DTM06-12SA	
		Extraction Tool			
		Crimp Tool			
		Cavity Plug			
		Boots/Caps		DTM12P-BT	

12-POSITION CONNECTORS

12.25

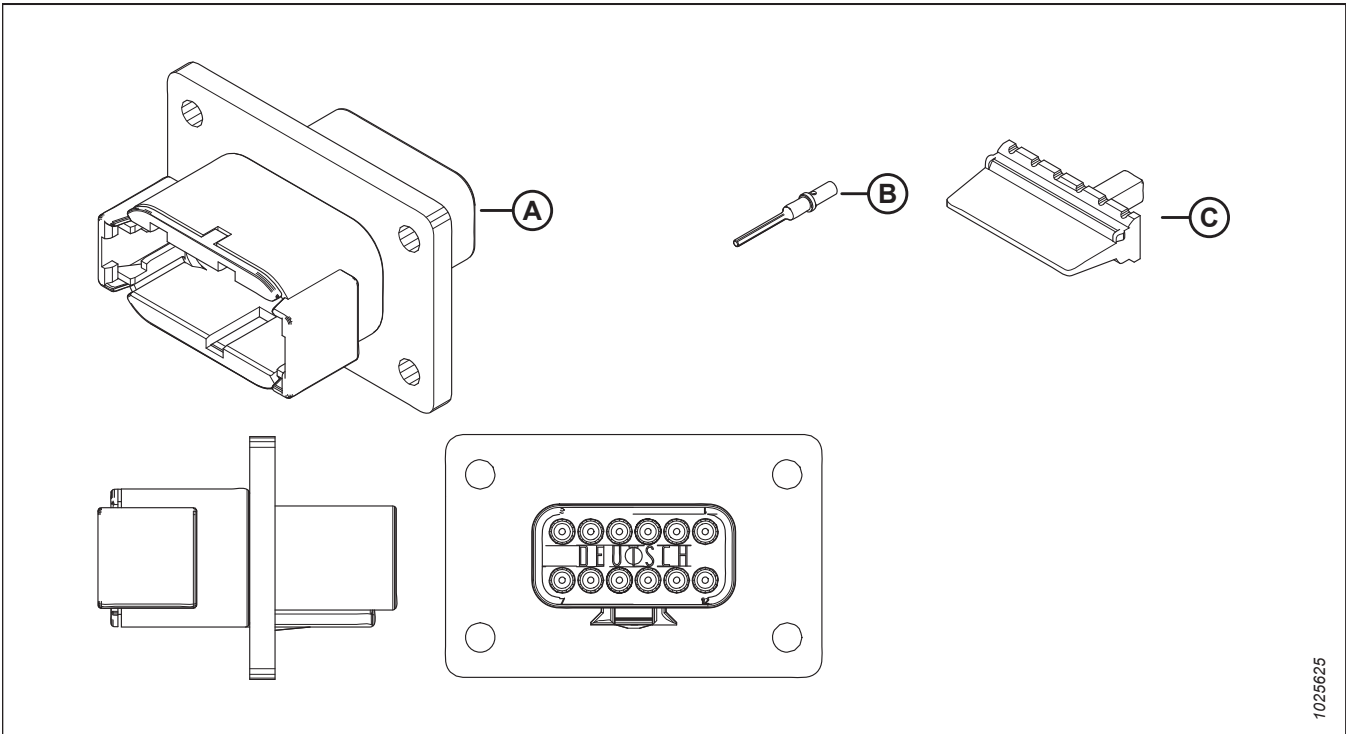


1025624

	MacDon Part #	Description	Manufacturer	Series	Manufacturer Part #
A		Connector – Plug	Deutsch	DT	DTM06-12SA
B	134017	Terminal – Socket		Size 20	0462-201-20141, (nickel), 0462-201-2031 (gold)
C		Lock			WM-12S
		Secondary Lock			
		Seal			
		Mating Connector	DTM04-12PA, DTM13-12PA		
		Extraction Tool			
		Crimp Tool			
		Cavity Plug			
		Boots/Caps			

12-POSITION CONNECTORS

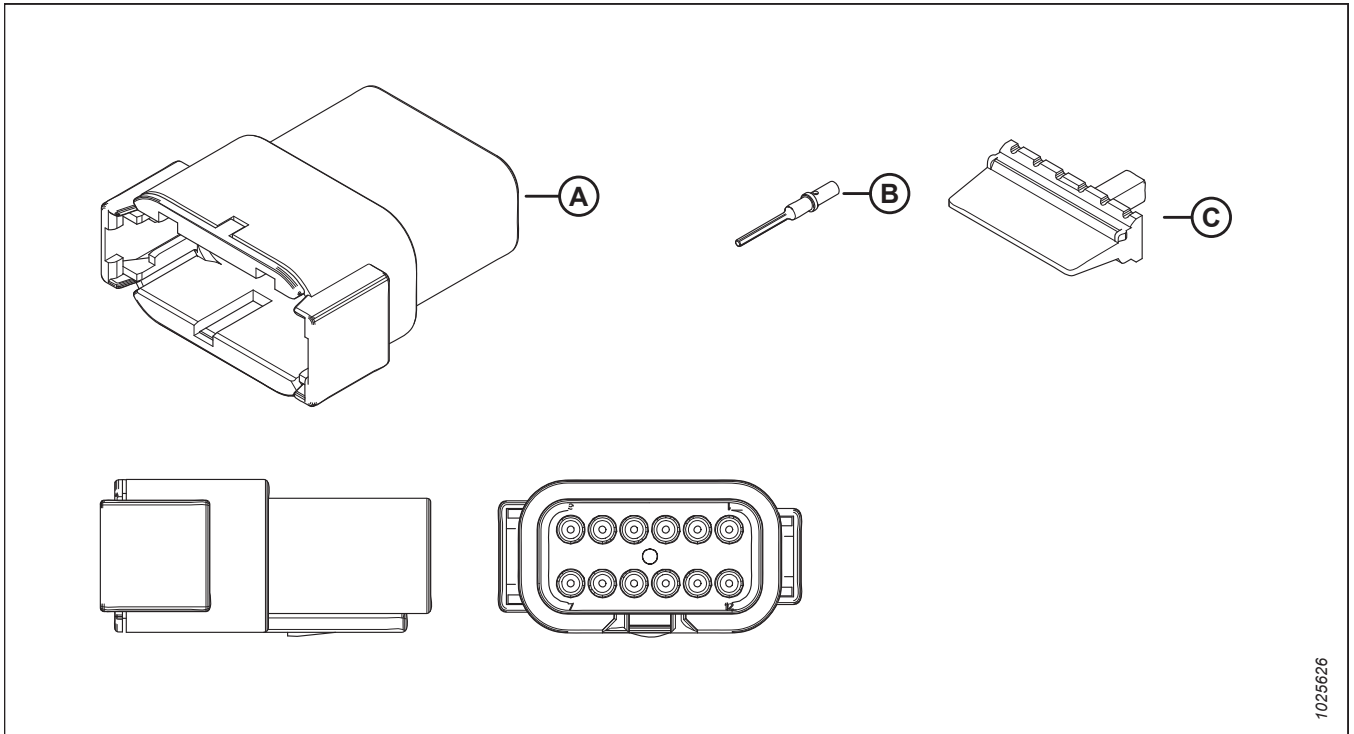
12.26



	MacDon Part #	Description	Manufacturer	Series	Manufacturer Part #
A		Connector – Receptacle	Deutsch	DT	DTM04-12PB-L012
B	134016	Terminal – Pin		Size 20	0460-202-20141 (nickel), 0460-202-2031 (gold)
C		Lock			WM-12P
		Secondary Lock			
		Seal			
		Mating Connector		DTM06-12SB	
		Extraction Tool			
		Crimp Tool			
		Cavity Plug			
		Boots/Caps			

12-POSITION CONNECTORS

12.27

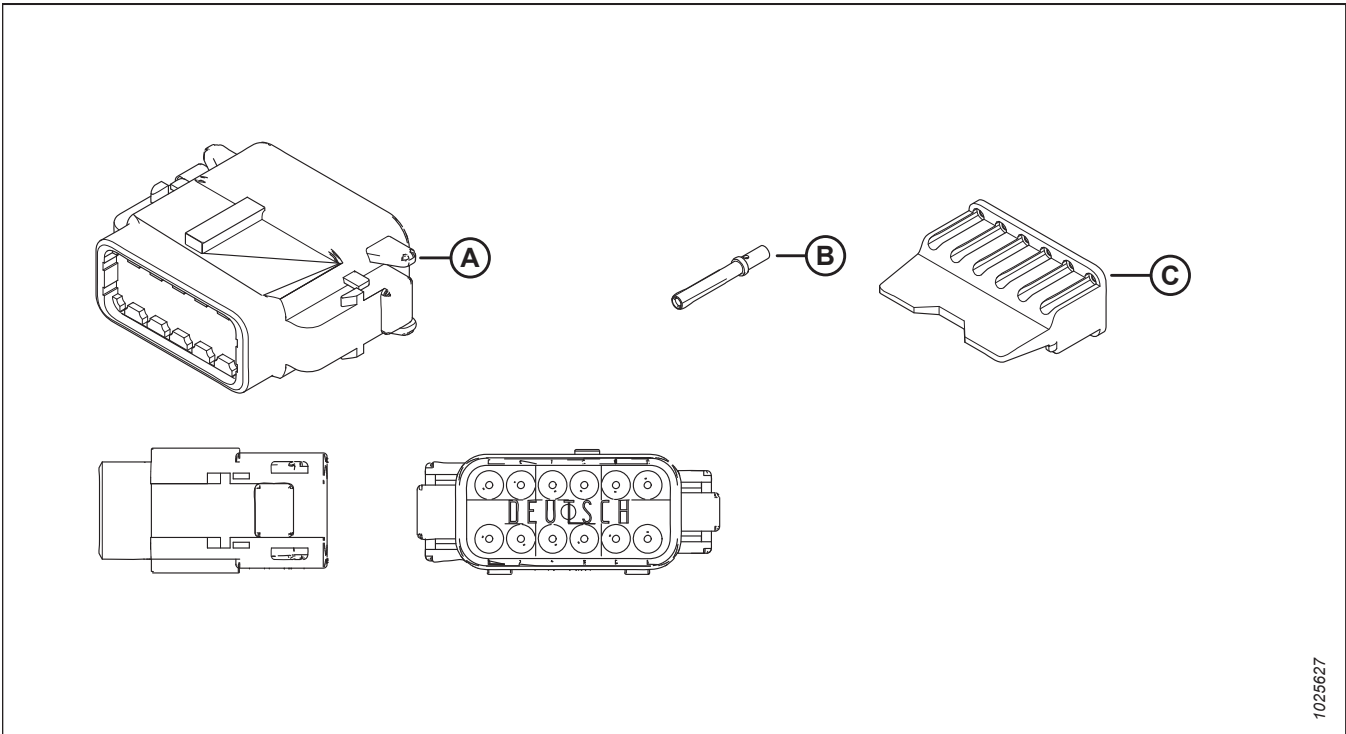


1025626

	MacDon Part #	Description	Manufacturer	Series	Manufacturer Part #
A		Connector – Receptacle	Deutsch	DT	DTM04-12PD-EE04
B	134016	Terminal – Pin		Size 20	0460-202-20141 (nickel), 0460-202-2031 (gold)
C		Lock			WM-12P
		Secondary Lock			
		Seal			
		Mating Connector		DTM06-12SD-EE04	
		Extraction Tool			
		Crimp Tool			
		Cavity Plug			
		Boots/Caps			

12-POSITION CONNECTORS

12.28

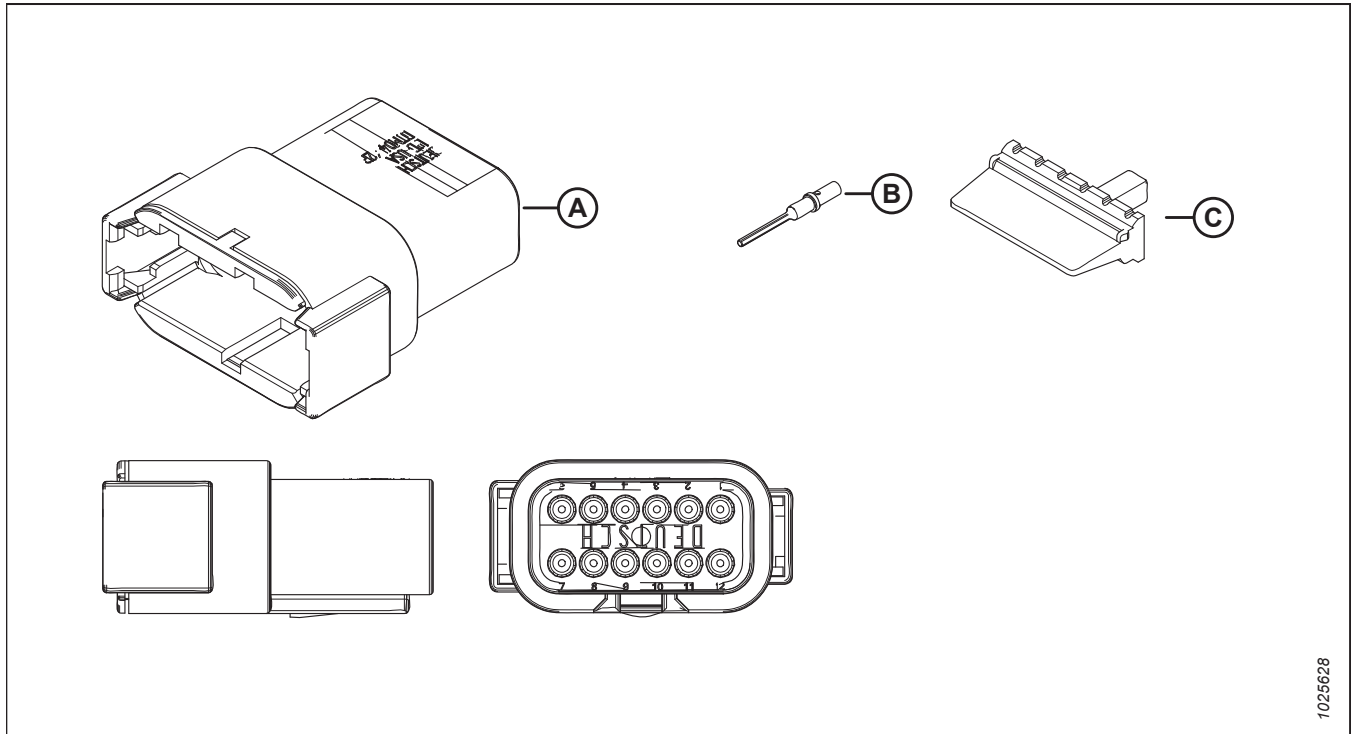


1025627

	MacDon Part #	Description	Manufacturer	Series	Manufacturer Part #
A		Connector – Plug	Deutsch	DT	DTM06-12SD-EE04
B	134017	Terminal – Socket		Size 20	0462-201-20141, (nickel), 0462-201-2031 (gold)
C		Lock			WM-12S
		Secondary Lock			
		Seal			
		Mating Connector	DTM04-12PD-EE04		
		Extraction Tool			
		Crimp Tool			
		Cavity Plug			
		Boots/Caps			

12-POSITION CONNECTORS

12.29

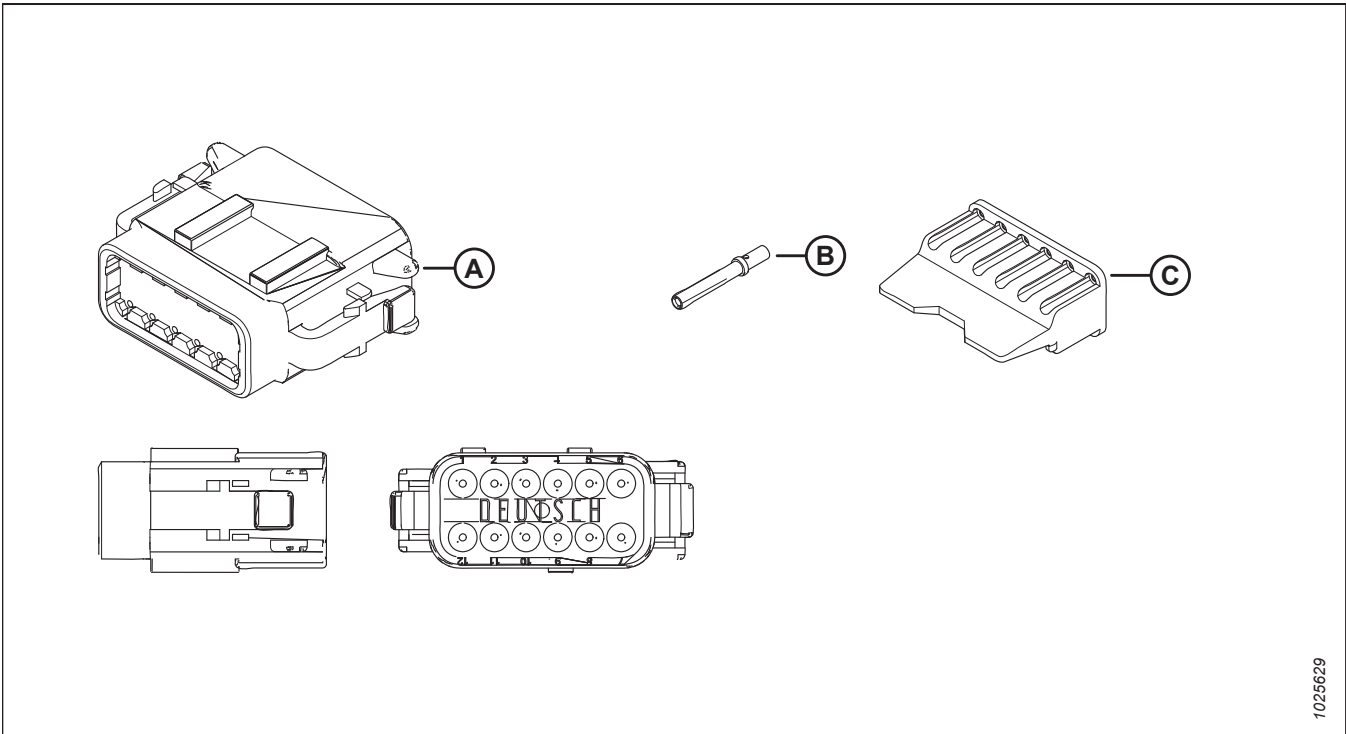


1025628

	MacDon Part #	Description	Manufacturer	Series	Manufacturer Part #
A		Connector – Receptacle	Deutsch	DT	DTM04-12PB
B	134016	Terminal – Pin		Size 20	0460-202-20141 (nickel), 0460-202-2031 (gold)
C		Lock			WM-12P
		Secondary Lock			
		Seal			
		Mating Connector		DTM06-12SB	
		Extraction Tool		DT-RT1	
		Crimp Tool			
		Cavity Plug			
		Boots/Caps		DTM12P-BT, 1011-026-0205, 1027-003-1200	

12-POSITION CONNECTORS

12.30

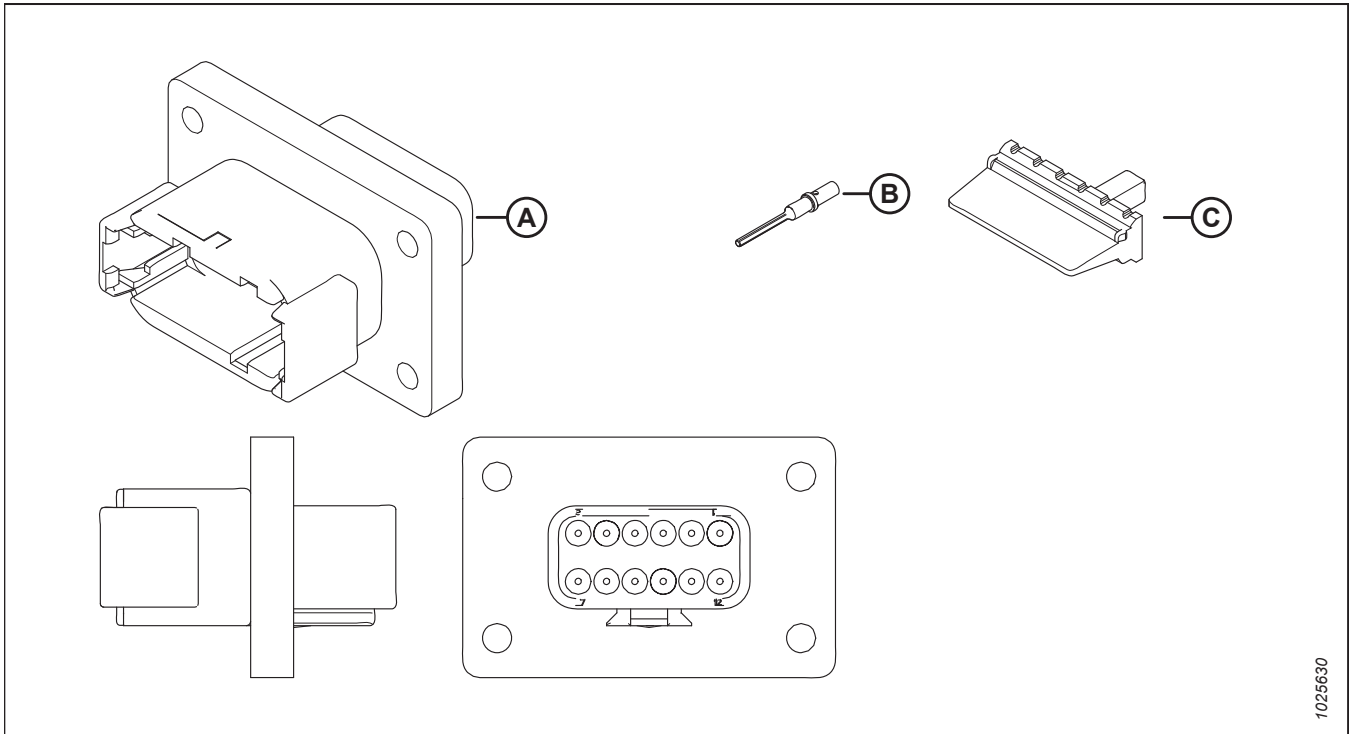


1025629

	MacDon Part #	Description	Manufacturer	Series	Manufacturer Part #
A		Connector – Plug	Deutsch	DT	DTM06-12SB
B	134017	Terminal – Socket		Size 20	0462-201-20141, (nickel), 0462-201-2031 (gold)
C		Lock			WM-12S
		Secondary Lock			
		Seal			
		Mating Connector	DTM04-12PB, DTM13-12PB, DTM15-12PB		
		Extraction Tool			
		Crimp Tool			
		Cavity Plug			
		Boots/Caps			

12-POSITION CONNECTORS

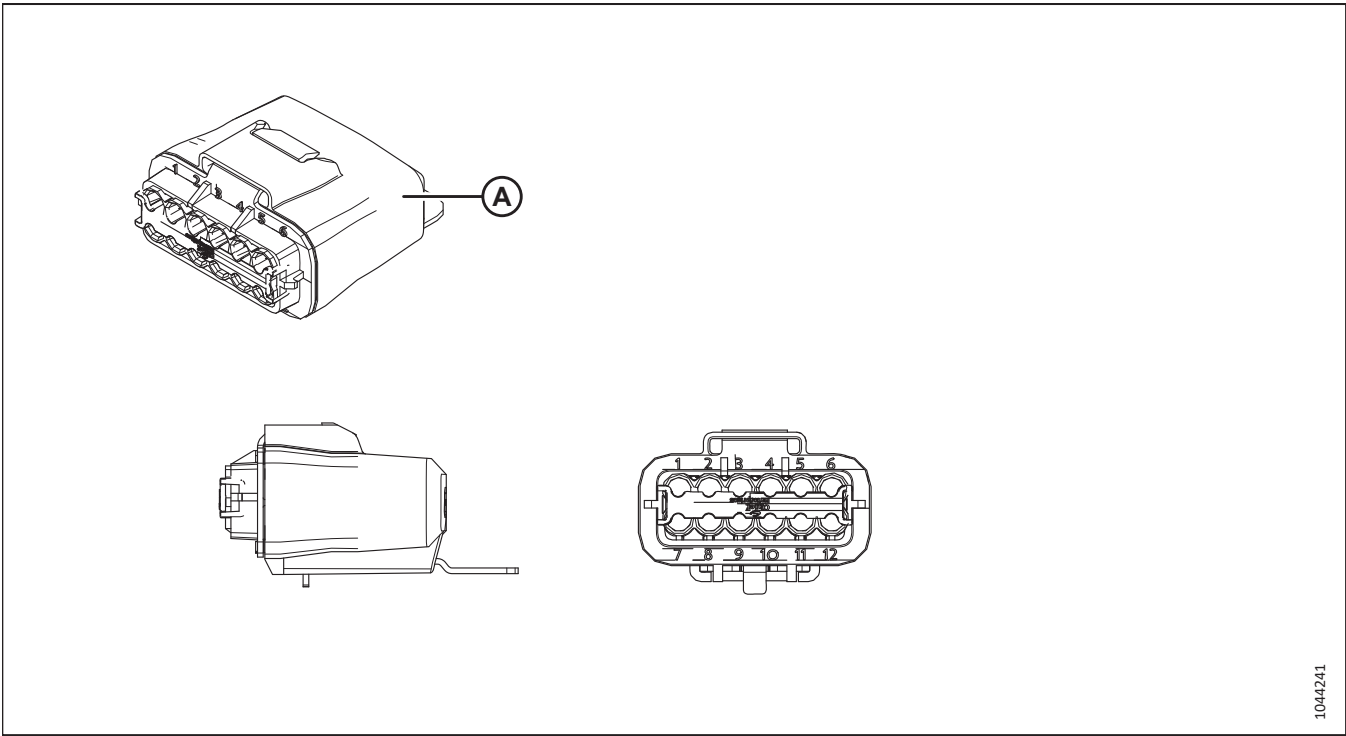
12.31



	MacDon Part #	Description	Manufacturer	Series	Manufacturer Part #
A		Connector – Receptacle	Deutsch	DT	DTM04-12PA-L012
B	134016	Terminal – Pin		Size 20	0460-202-20141 (nickel), 0460-202-2031 (gold)
C		Lock			WM-12P
		Secondary Lock			
		Seal			
		Mating Connector			
		Extraction Tool			
		Crimp Tool			
		Cavity Plug			
		Boots/Caps			

12-POSITION CONNECTORS

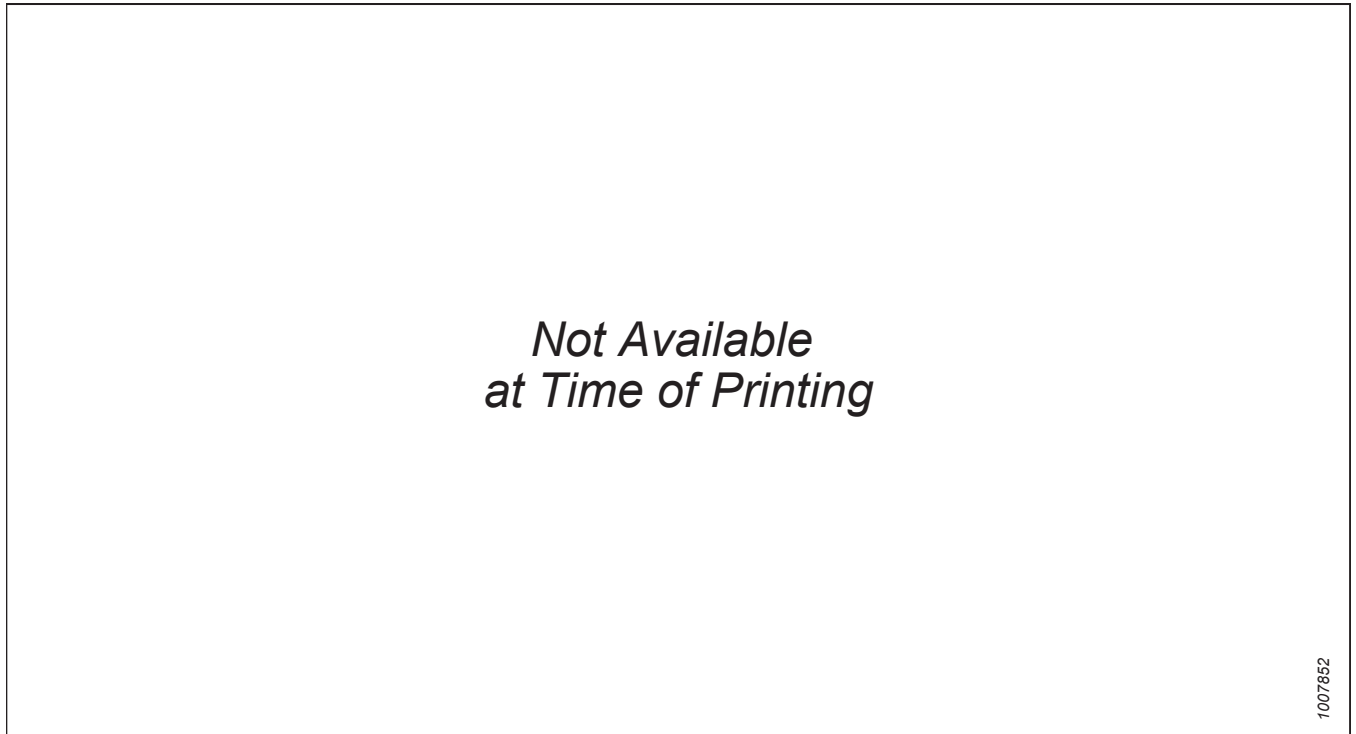
12.32



1044241

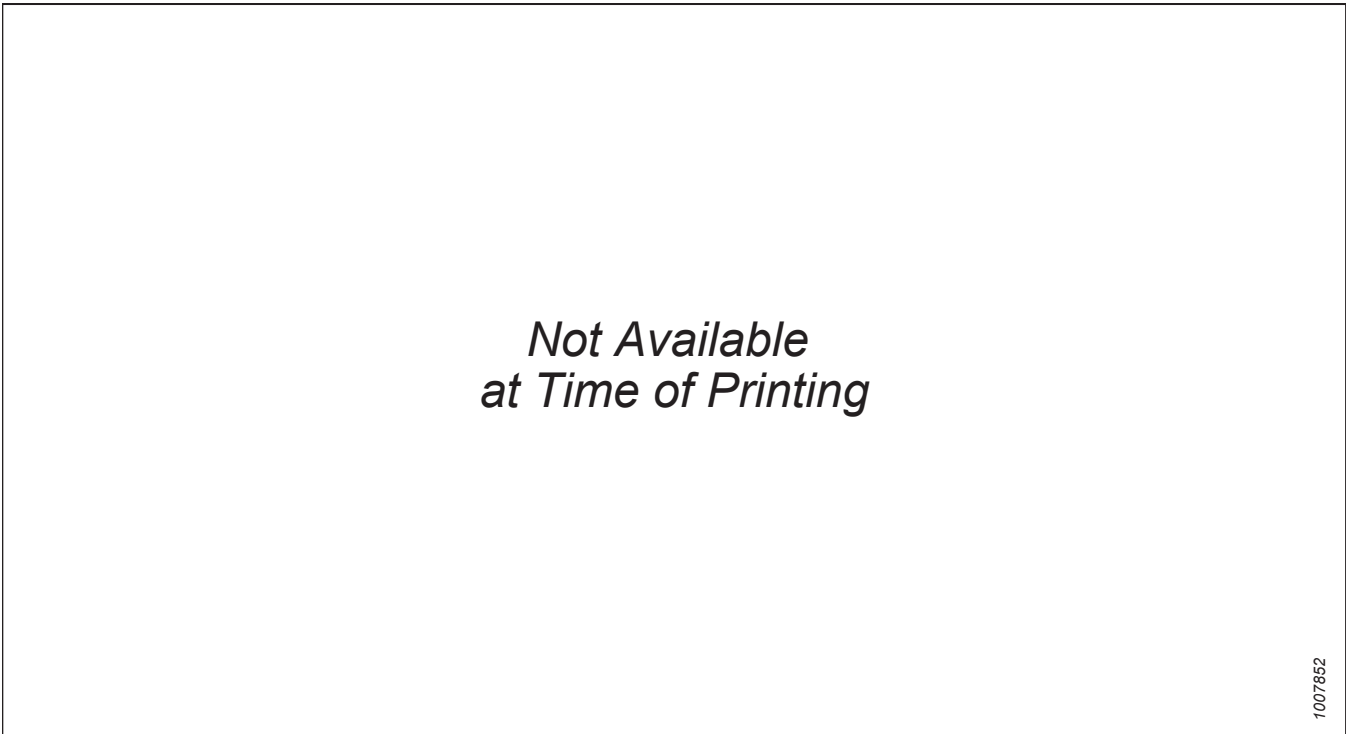
	MacDon Part #	Description	Manufacturer	Series	Manufacturer Part #
A		Connector – Plug	GEP	N/V	FRH-A12
		Terminal			
		Lock			
		Secondary Lock			
		Seal			
		Mating Connector			
		Extraction Tool			
		Crimp Tool			
		Cavity Plug			
		Boots/Caps			

12.33



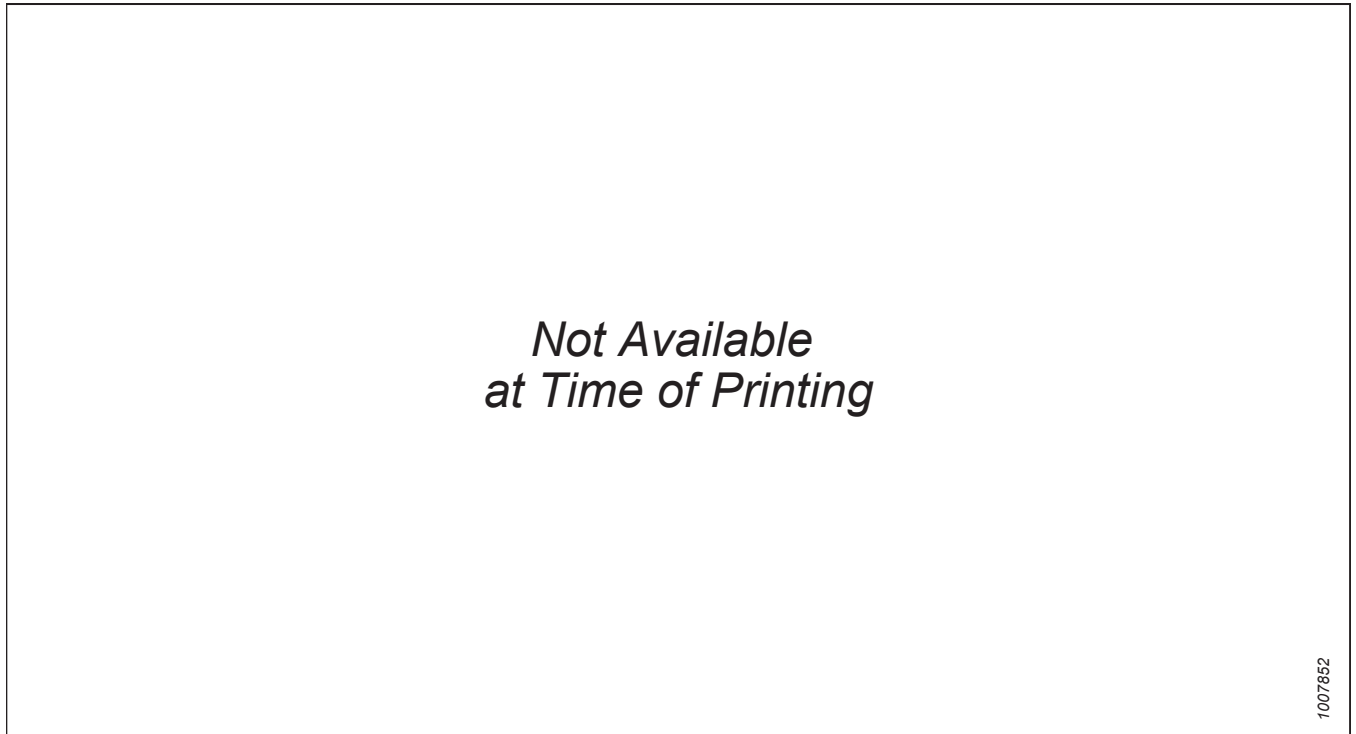
	MacDon Part #	Description	Manufacturer	Series	Manufacturer Part #
A		Connector – Plug (RED Insert)	Tyco	Ampseal 16	776533-1
		Terminal			
		Lock			
		Secondary Lock			
B		Seal Cap			
		Mating Connector			
		Extraction Tool			
		Crimp Tool			
		Cavity Plug			
		Boots/Caps			

12.34



	MacDon Part #	Description	Manufacturer	Series	Manufacturer Part #
A		Connector – Plug (GRAY Insert)	Tyco	Ampseal 16	776533-2
		Terminal			
		Lock			
		Secondary Lock			
		Seal Cap			
		Mating Connector			
		Extraction Tool			
		Crimp Tool			
		Cavity Plug			
		Boots/Caps			

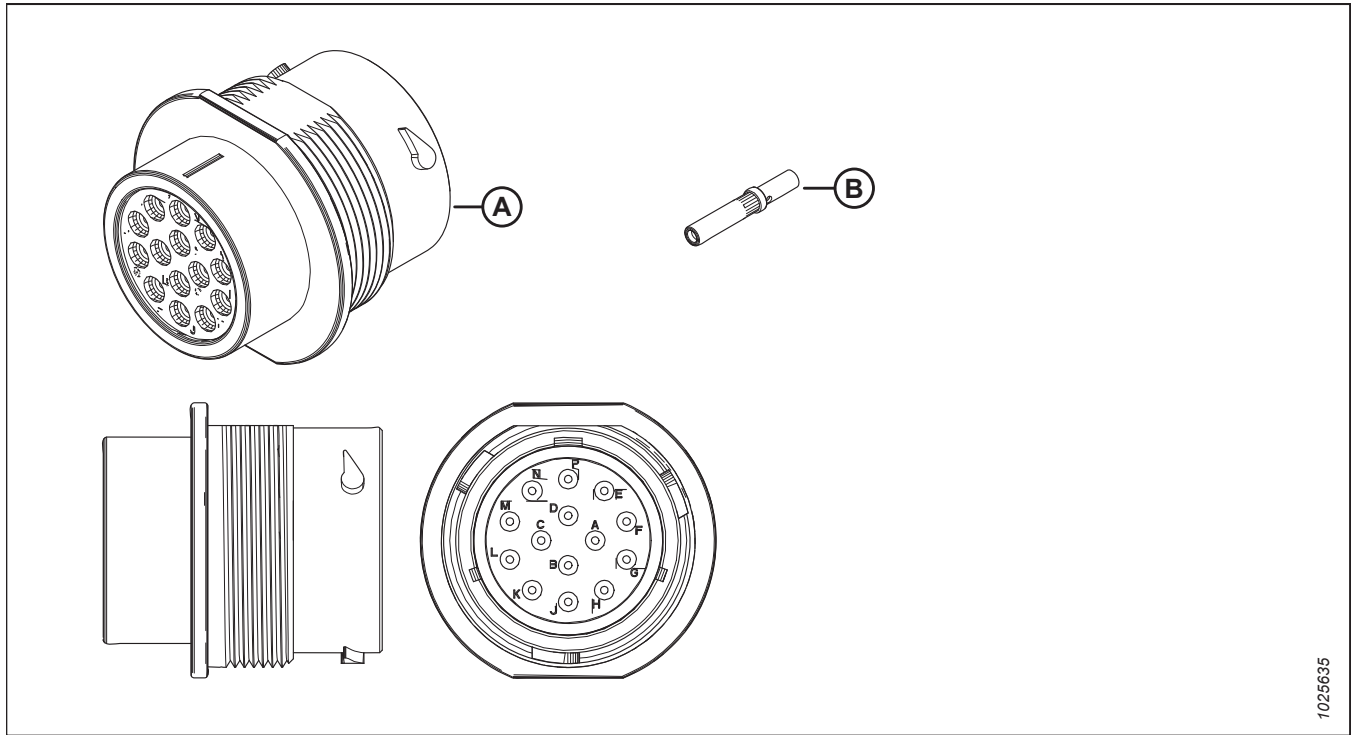
12.35



	MacDon Part #	Description	Manufacturer	Series	Manufacturer Part #
A		Connector – Plug (YELLOW Insert)	Tyco	Ampseal 16	776533-3
		Terminal			
		Lock			
		Secondary Lock			
		Seal Cap			
		Mating Connector			
		Extraction Tool			
		Crimp Tool			
		Cavity Plug			
		Boots/Caps			

Chapter 13: 14-Position Connectors

13.1

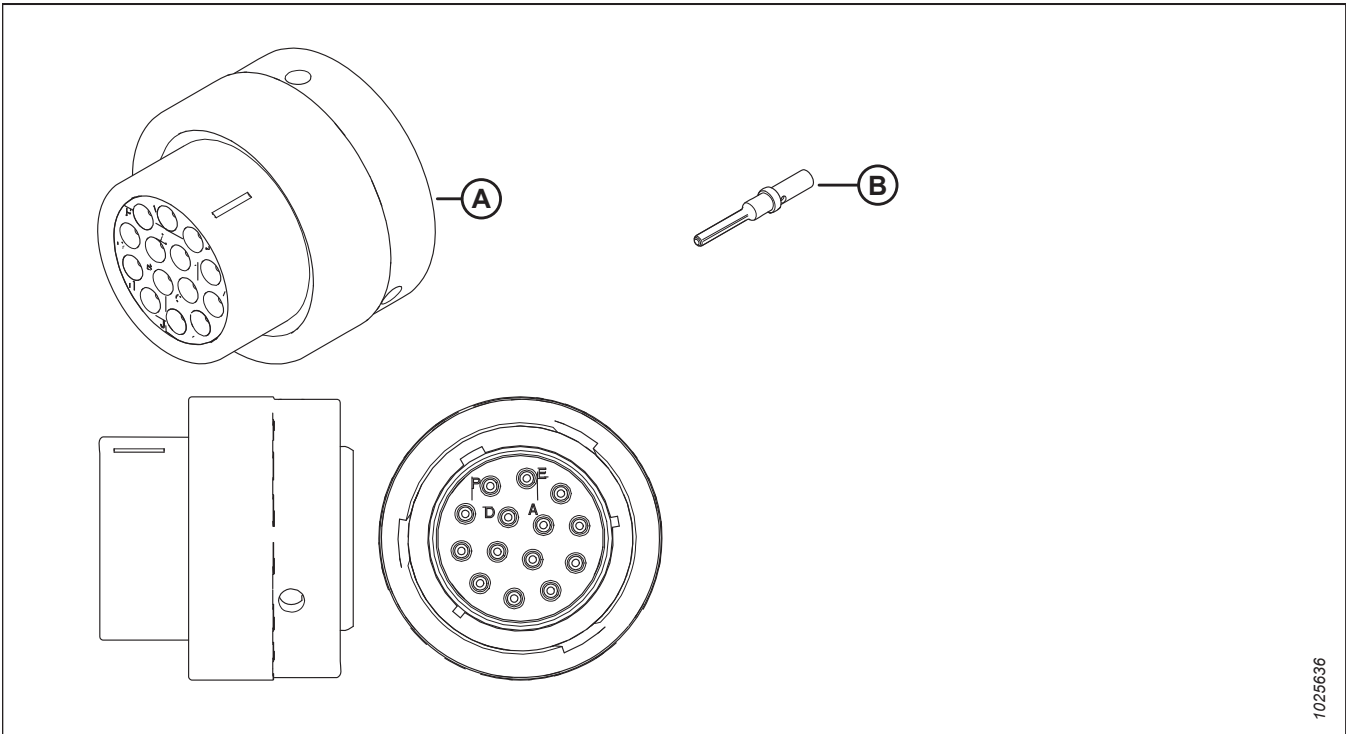


1025635

	MacDon Part #	Description	Manufacturer	Series	Manufacturer Part #
A		Connector – Receptacle	Deutsch	HD30	HD34-18-14SN
B	134026	Terminal – Socket		Size 16	0462-201-16141 (nickel), 0462-201-1631 (gold)
		Lock			
		Secondary Lock			
		Seal			
		Mating Connector		HD36-18-14PN	
		Extraction Tool			
		Crimp Tool			
		Cavity Plug			
		Boots/Caps		HD30-18BT, 114020-90, 114021	

14-POSITION CONNECTORS

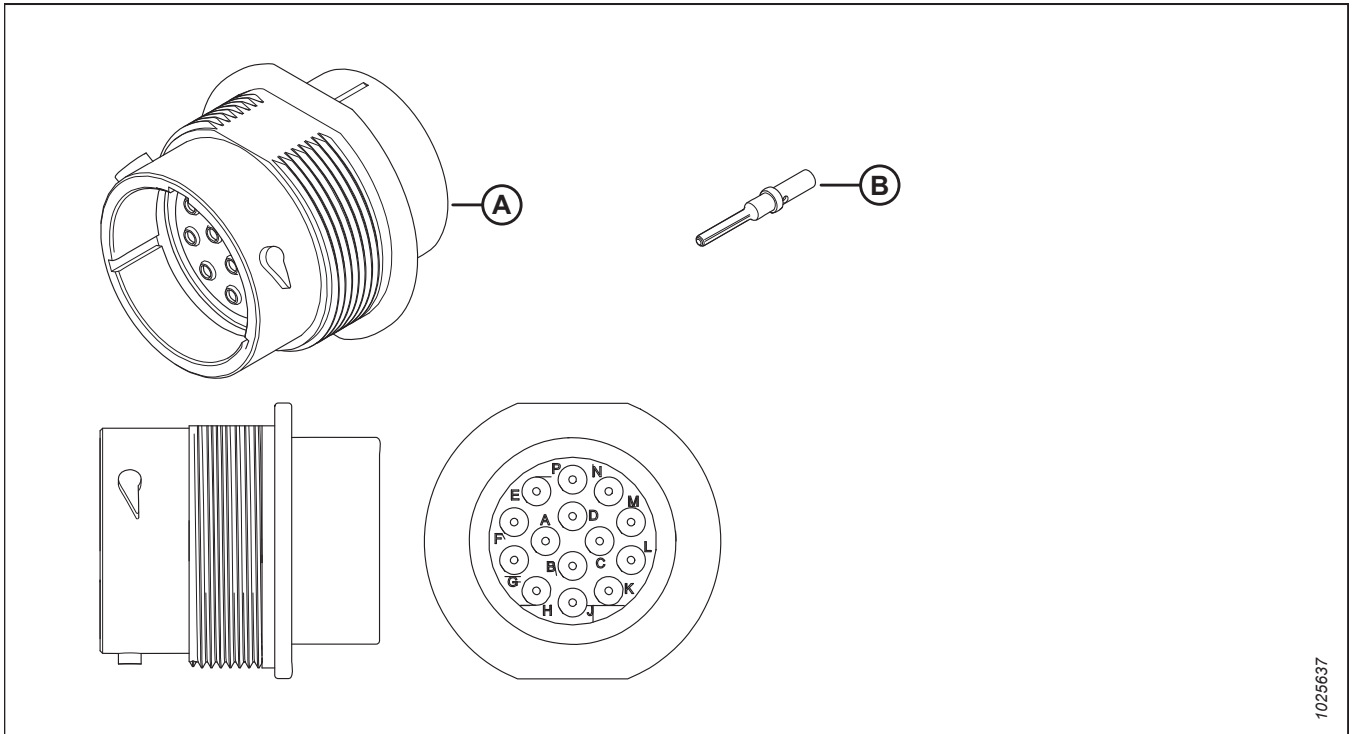
13.2



	MacDon Part #	Description	Manufacturer	Series	Manufacturer Part #
A		Connector – Plug	Deutsch	HDP20	HDP26-18-14PE
B	134023	Terminal – Pin		Size 16	0460-202-16141 (nickel), 0460-202-1631 (gold)
		Lock			
		Secondary Lock			
		Seal			
		Mating Connector		HDP24-18-14SE	
		Extraction Tool		0411-336-1605	
		Crimp Tool			
		Cavity Plug		114017	
		Boots/Caps		HD30-18BT-90-BK, HD30-18BT-BK	

14-POSITION CONNECTORS

13.3

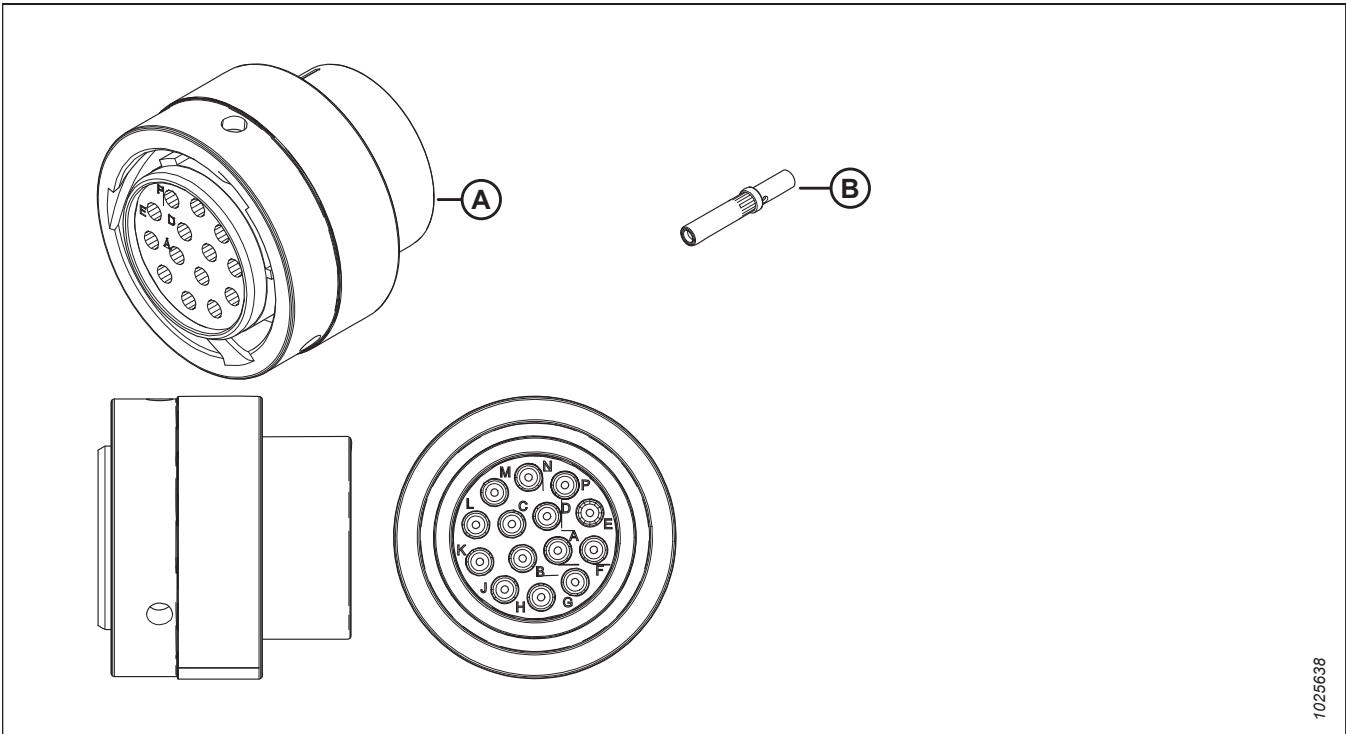


1025637

	MacDon Part #	Description	Manufacturer	Series	Manufacturer Part #
A		Connector – Receptacle	Deutsch	HDP20	HDP24-18-14PE
B	134023	Terminal – Pin		Size 16	0460-202-16141 (nickel), 0460-202-1631 (gold)
		Lock			
		Secondary Lock			
		Seal			
		Mating Connector		HDP26-18-14SE	
		Extraction Tool			
		Crimp Tool			
		Cavity Plug			
		Boots/Caps	HD30-18BT-BK, 2411-002-1805, 2414-002-1886, HDC26-18		

14-POSITION CONNECTORS

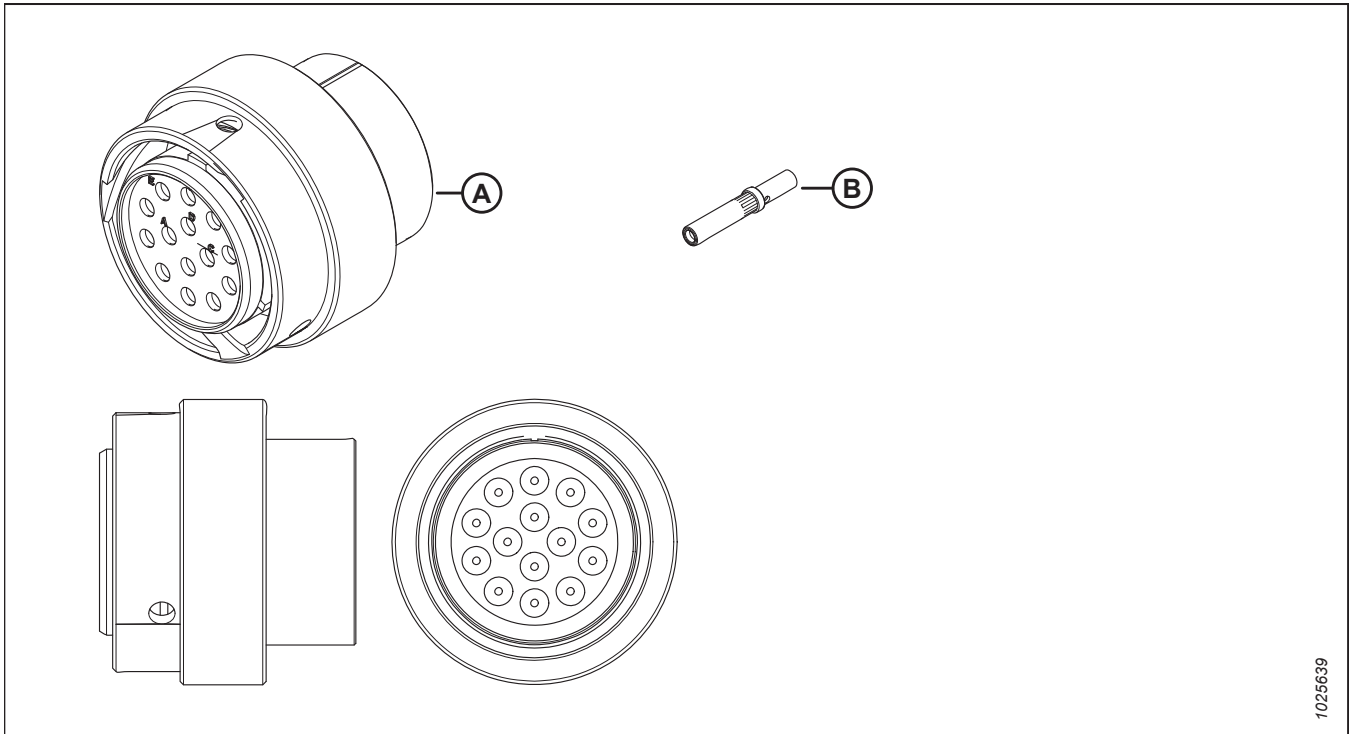
13.4



	MacDon Part #	Description	Manufacturer	Series	Manufacturer Part #
A		Connector – Plug	Deutsch	HDP20	HDP26-18-14SE
B	134026	Terminal – Socket		Size 16	0462-201-16141 (nickel), 0462-201-1631 (gold)
		Lock			
		Secondary Lock			
		Seal			
		Mating Connector		HDP24-18-14PE	
		Extraction Tool		0411-336-1605	
		Crimp Tool			
		Cavity Plug		114017	
		Boots/Caps		HD30-18BT-BK, HD30-18BT-90-BK	

14-POSITION CONNECTORS

13.5

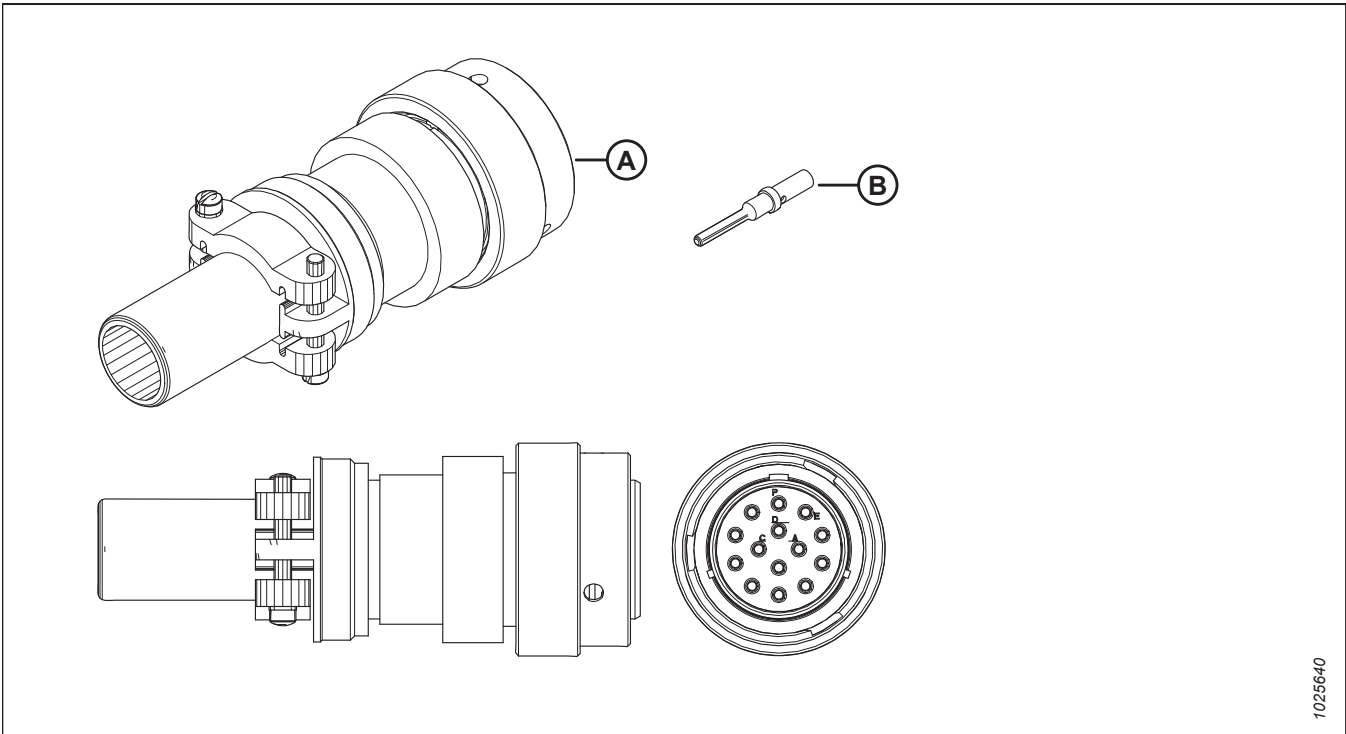


1025639

	MacDon Part #	Description	Manufacturer	Series	Manufacturer Part #
A		Connector – Plug	Deutsch	HD30	HD36-18-14SE
B	134026	Terminal – Socket		Size 16	0462-201-16141 (nickel), 0462-201-1631 (gold)
		Lock			
		Secondary Lock			
		Seal			
		Mating Connector			
		Extraction Tool			
		Crimp Tool			
		Cavity Plug			
		Boots/Caps			

14-POSITION CONNECTORS

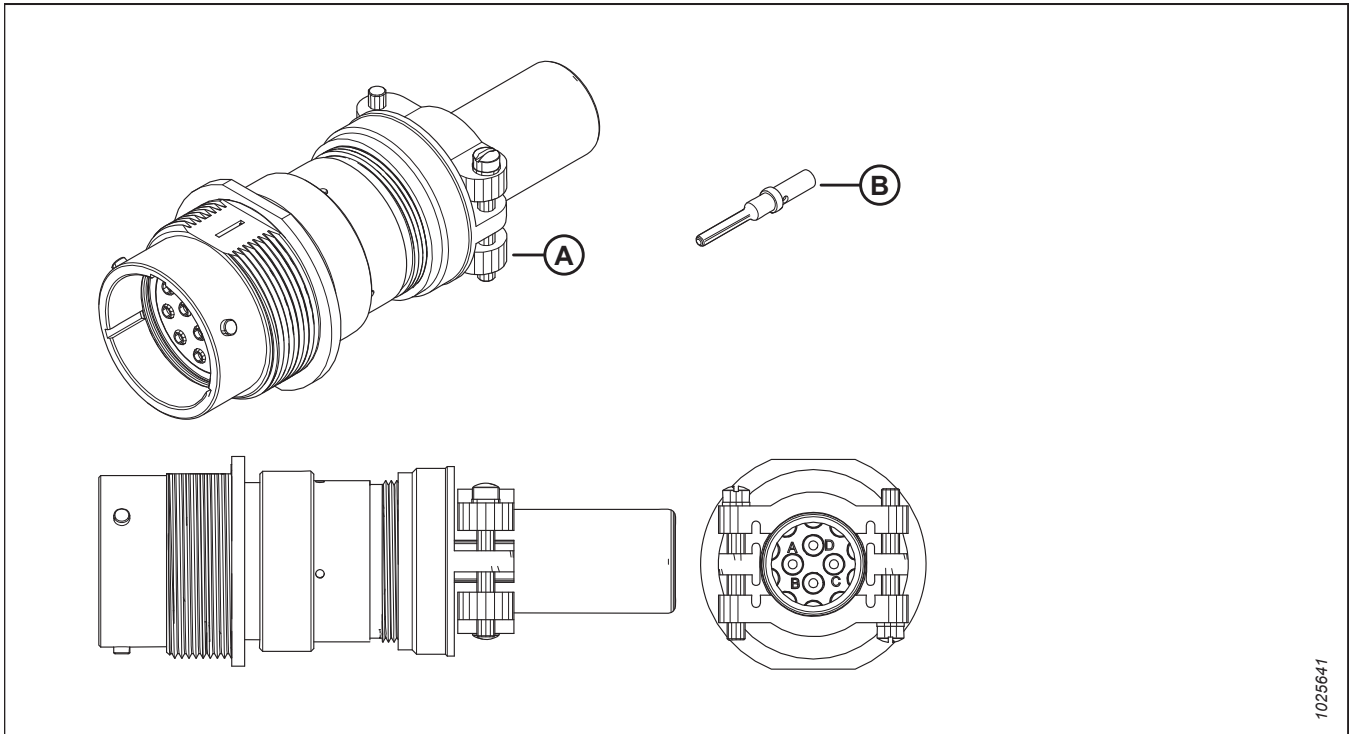
13.6



	MacDon Part #	Description	Manufacturer	Series	Manufacturer Part #
A		Connector – Plug	Deutsch	HD30	HD36-18-14PN-059
B	134023	Terminal – Pin		Size 16	0460-202-16141 (nickel), 0460-202-1631 (gold)
		Lock			
		Secondary Lock			
		Seal			
		Mating Connector			
		Extraction Tool			
		Crimp Tool			
		Cavity Plug			
		Boots/Caps			

14-POSITION CONNECTORS

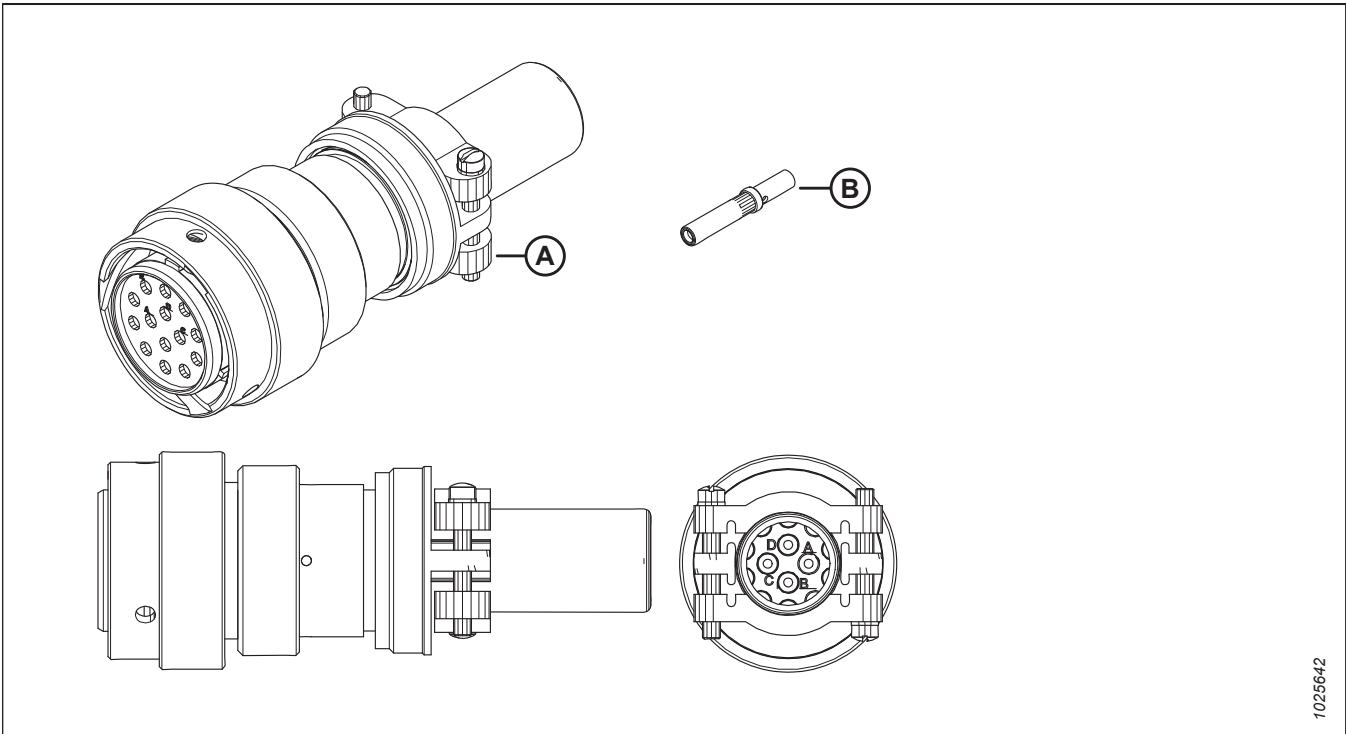
13.7



	MacDon Part #	Description	Manufacturer	Series	Manufacturer Part #
A		Connector – Receptacle	Deutsch	HD30	HD34-18-14PN-059
B	134023	Terminal – Pin		Size 16	0460-202-16141 (nickel), 0460-202-1631 (gold)
		Lock			
		Secondary Lock			
		Seal			
		Mating Connector			
		Extraction Tool			
		Crimp Tool			
		Cavity Plug			
		Boots/Caps			

14-POSITION CONNECTORS

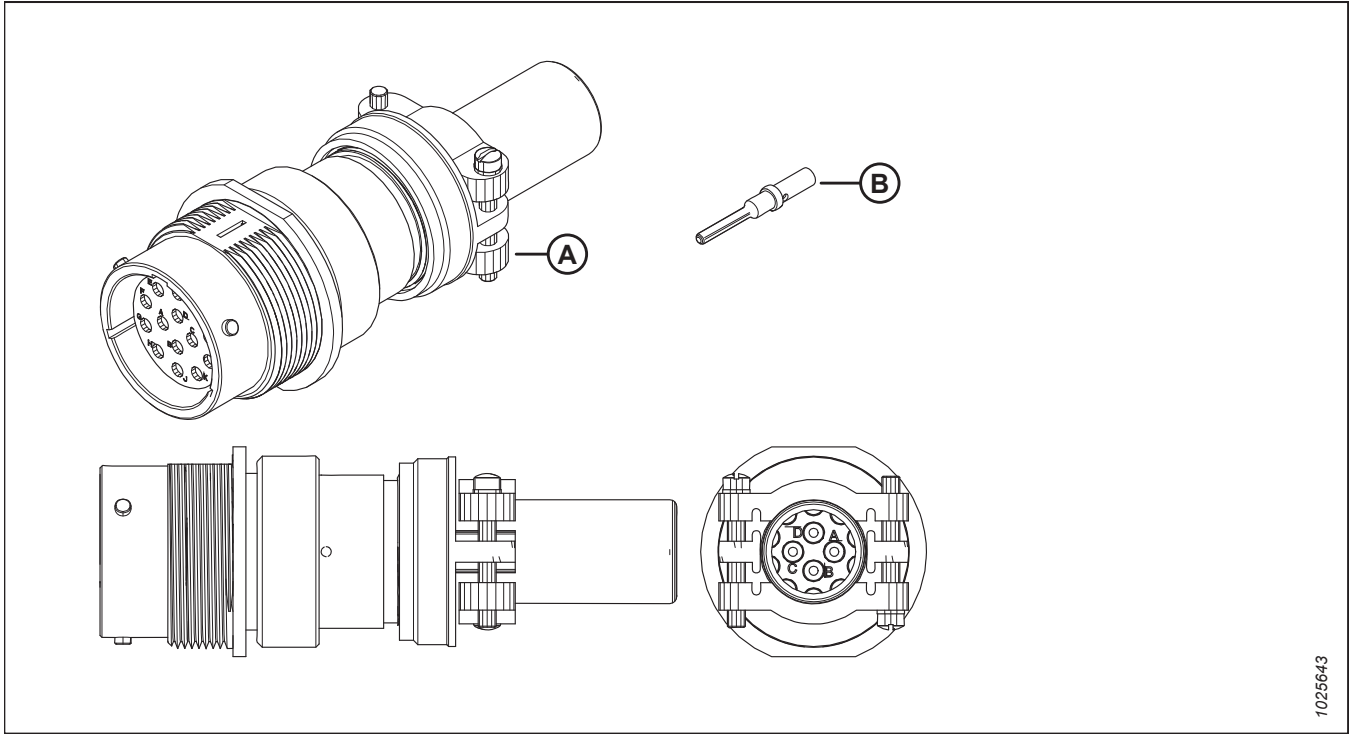
13.8



	MacDon Part #	Description	Manufacturer	Series	Manufacturer Part #
A		Connector – Plug	Deutsch	HD30	HD36-18-14SN-059
B	134026	Terminal – Socket		Size 16	0462-201-16141 (nickel), 0462-201-1631 (gold)
		Lock			
		Secondary Lock			
		Seal			
		Mating Connector			
		Extraction Tool			
		Crimp Tool			
		Cavity Plug			
		Boots/Caps			

14-POSITION CONNECTORS

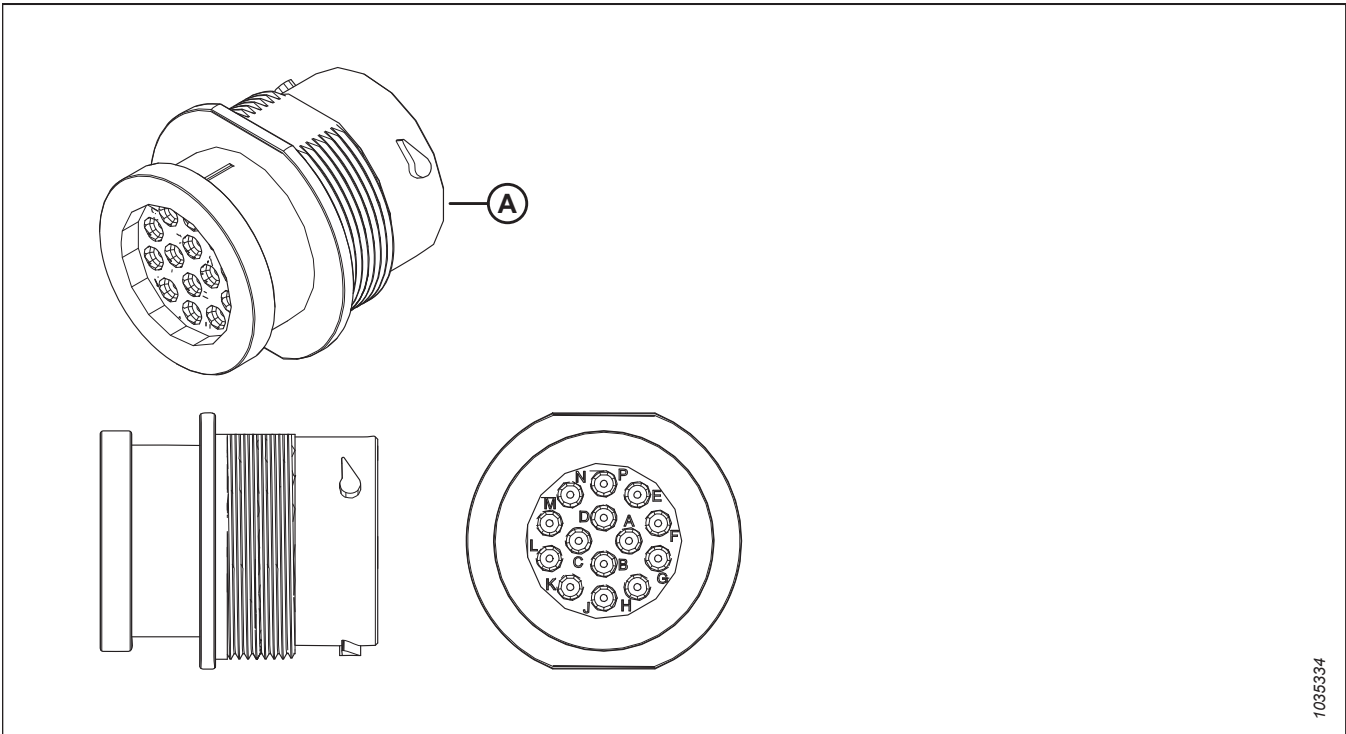
13.9



	MacDon Part #	Description	Manufacturer	Series	Manufacturer Part #
A		Connector – Receptacle	Deutsch	HD30	HD34-18-14SN-059
B	134023	Terminal – Pin		Size 16	0460-202-16141 (nickel), 0460-202-1631 (gold)
		Lock			
		Secondary Lock			
		Seal			
		Mating Connector			
		Extraction Tool			
		Crimp Tool			
		Cavity Plug			
		Boots/Caps			

14-POSITION CONNECTORS

13.10

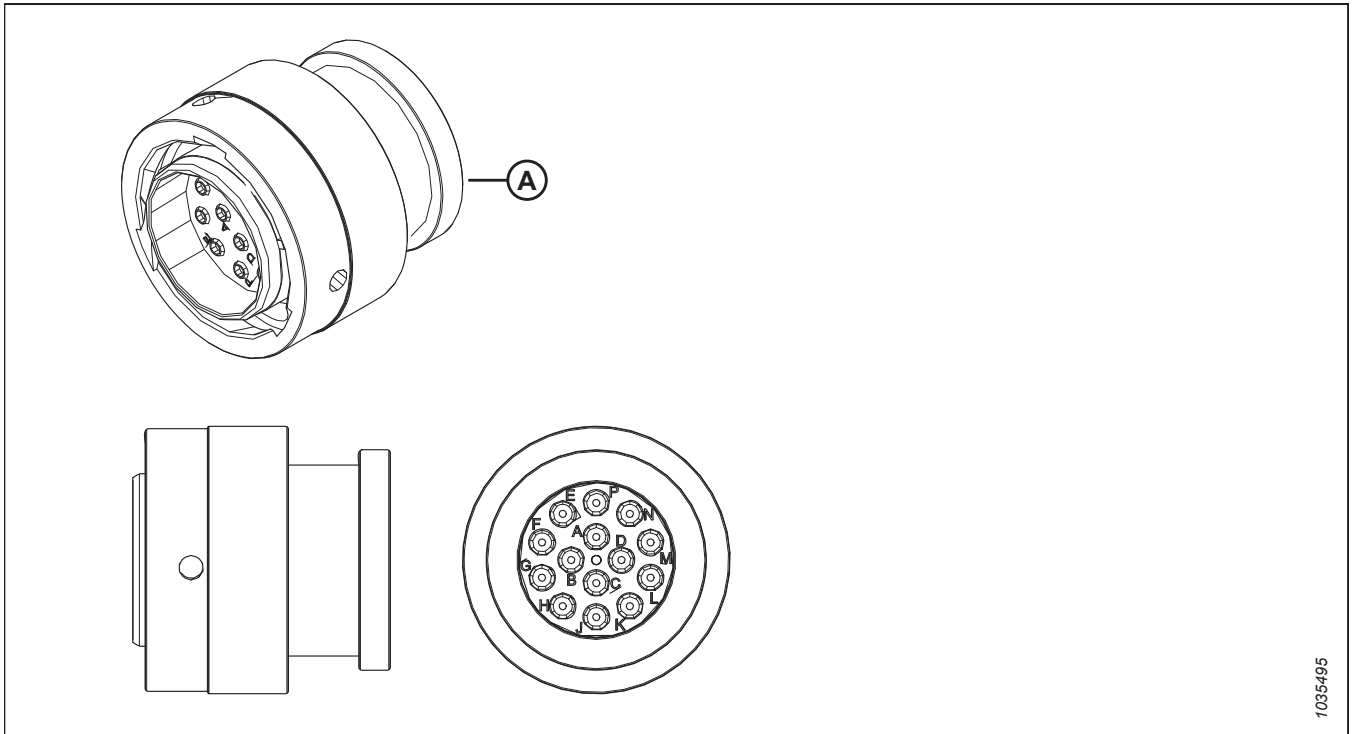


1035334

	MacDon Part #	Description	Manufacturer	Series	Manufacturer Part #
A		Connector – Receptacle	Deutsch	HDP20	HDP24-18-14SE-L017
B		Terminal			
		Lock			
		Secondary Lock			
		Seal			
		Mating Connector			
		Extraction Tool			
		Crimp Tool			
		Cavity Plug			
		Boots/Caps			

14-POSITION CONNECTORS

13.11

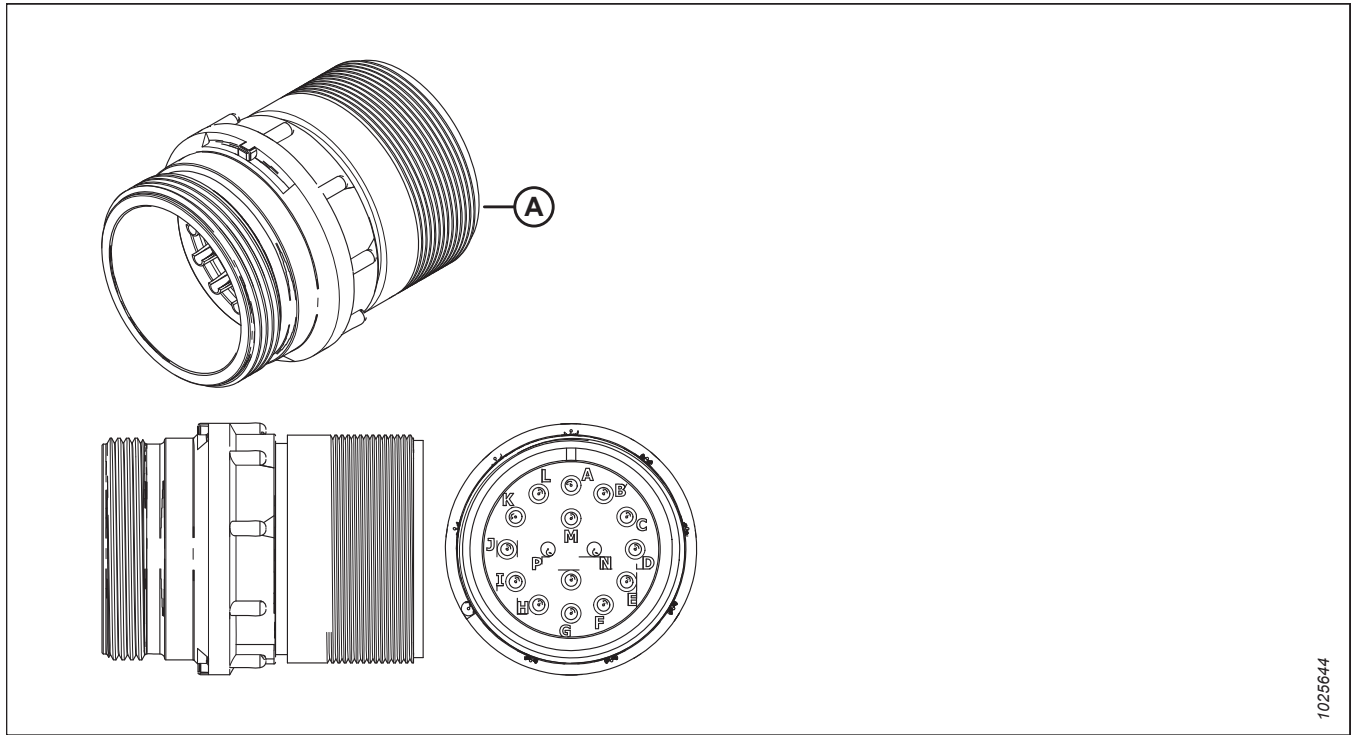


1035495

	MacDon Part #	Description	Manufacturer	Series	Manufacturer Part #
A		Connector – Plug	Deutsch	HDP20	HDP26-18-14PE-L017
B		Terminal			
		Lock			
		Secondary Lock			
		Seal			
		Mating Connector			
		Extraction Tool			
		Crimp Tool			
		Cavity Plug			
		Boots/Caps			

Chapter 14: 16-Position Connectors

14.1

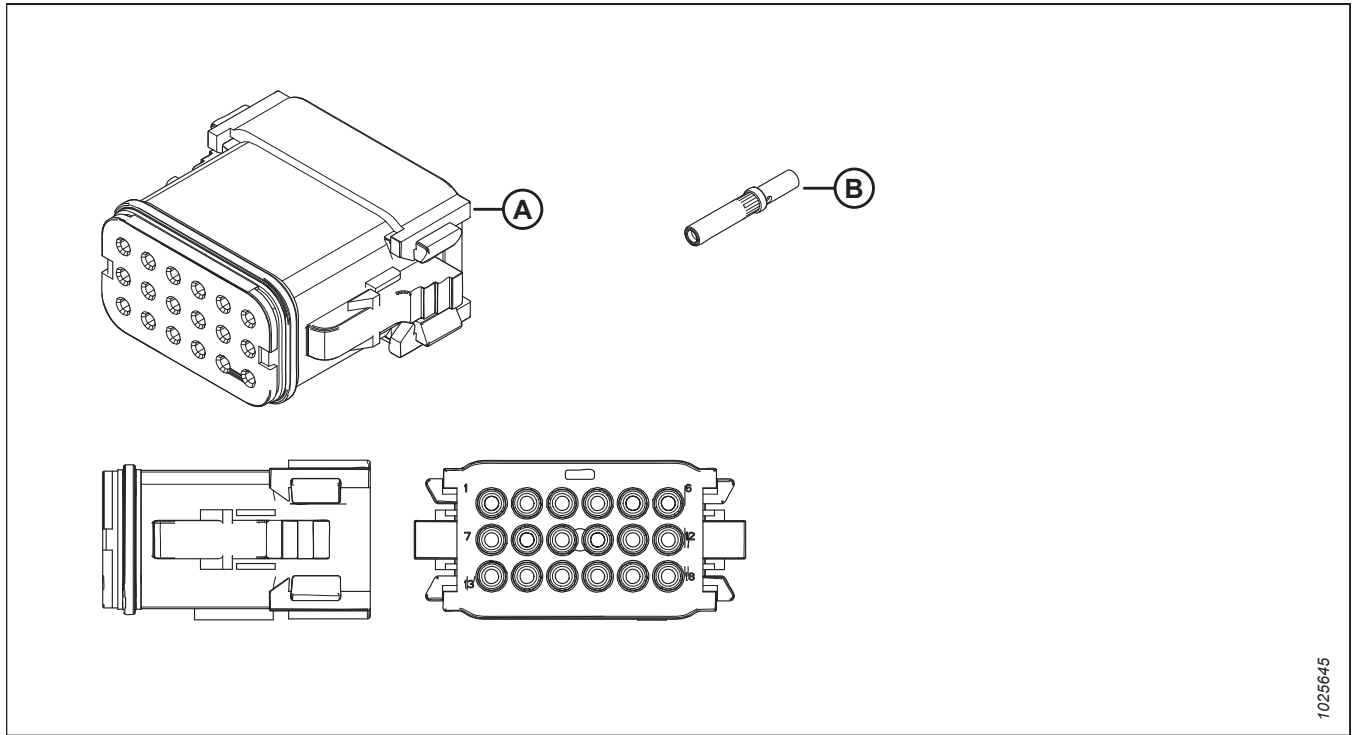


1025644

	MacDon Part #	Description	Manufacturer	Series	Manufacturer Part #
A		Connector	Amphenol		97-3101A-24-7P
		Terminal			
		Lock			
		Secondary Lock			
		Seal			
		Mating Connector			
		Extraction Tool			
		Crimp Tool			
		Cavity Plug			
		Boots/Caps			

Chapter 15: 18-Position Connectors

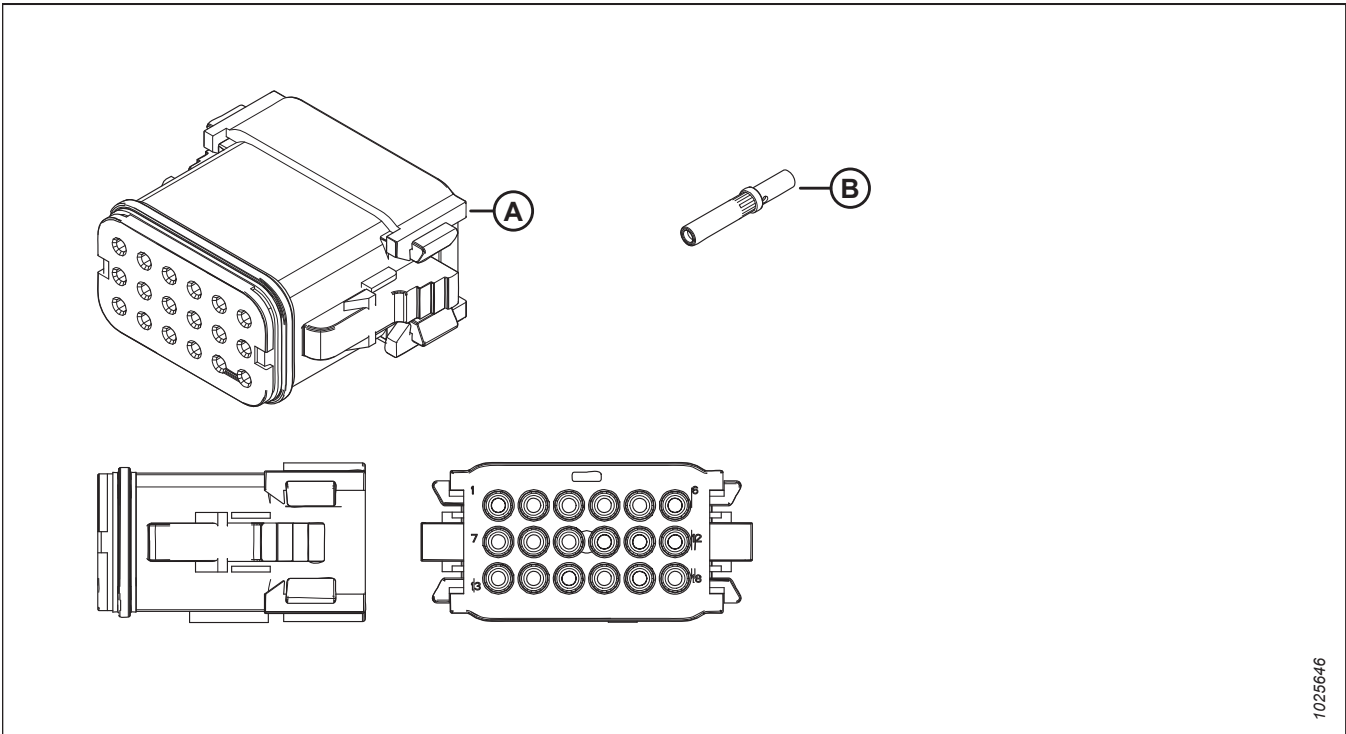
15.1



	MacDon Part #	Description	Manufacturer	Series	Manufacturer Part #
A	134588	Connector – Plug	Deutsch	DT	DT16-18SA-K004
B	134026	Terminal – Socket		Size 16	0462-201-16141 (nickel), 0462-201-1631 (gold)
		Lock			
		Secondary Lock			
		Seal			
		Mating Connector			
		Extraction Tool		0411-336-1605	
		Crimp Tool			
		Cavity Plug		114017	
		Boots/Caps		1011-349-1205	

18-POSITION CONNECTORS

15.2

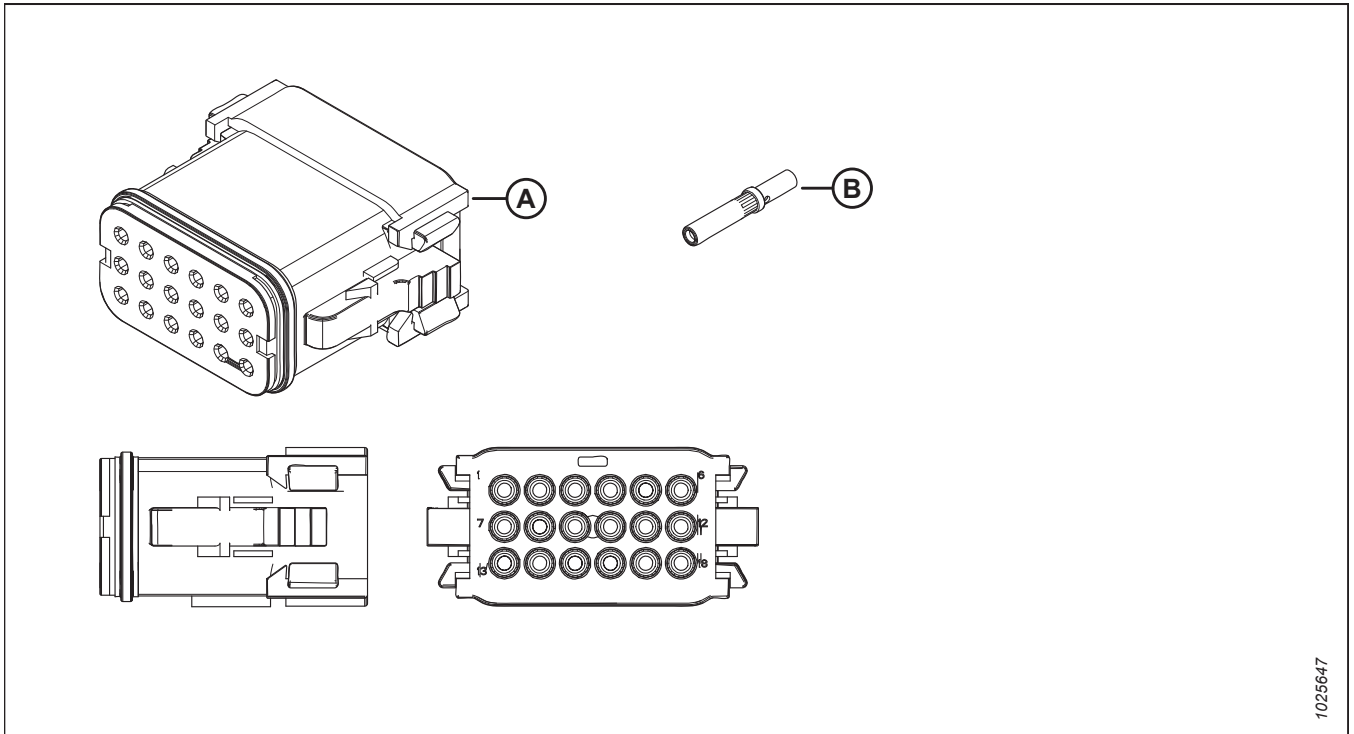


1025646

	MacDon Part #	Description	Manufacturer	Series	Manufacturer Part #
A	134589	Connector – Plug	Deutsch	DT	DT16-18SB-K004
B	134026	Terminal – Socket		Size 16	0462-201-16141 (nickel), 0462-201-1631 (gold)
		Lock			
		Secondary Lock			
		Seal			
		Mating Connector			
		Extraction Tool		0411-336-1605	
		Crimp Tool			
		Cavity Plug		114017	
		Boots/Caps		1011-349-1205	

18-POSITION CONNECTORS

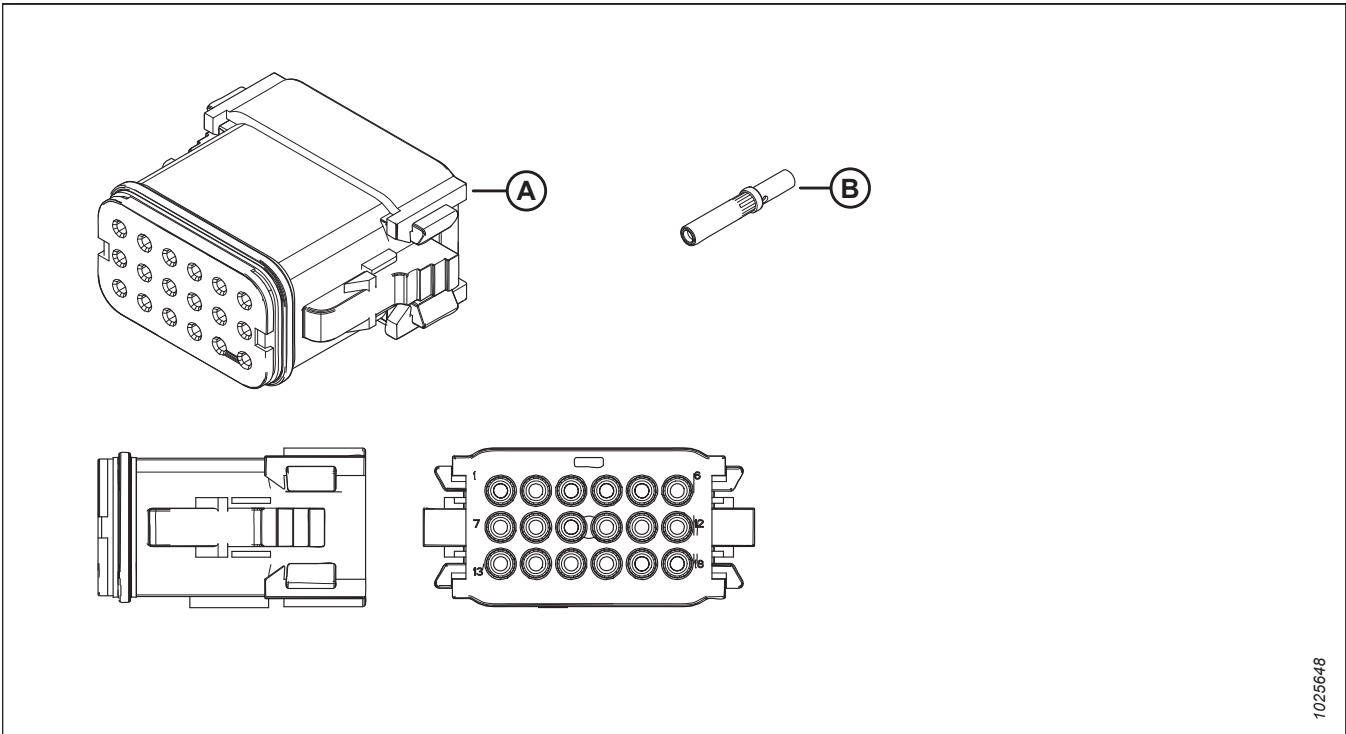
15.3



	MacDon Part #	Description	Manufacturer	Series	Manufacturer Part #
A	134590	Connector – Plug	Deutsch	DT	DT16-18SC-K004
B	134026	Terminal – Socket		Size 16	0462-201-16141 (nickel), 0462-201-1631 (gold)
		Lock			
		Secondary Lock			
		Seal			
		Mating Connector			
		Extraction Tool		0411-336-1605	
		Crimp Tool			
		Cavity Plug		114017	
		Boots/Caps		1011-349-1205	

18-POSITION CONNECTORS

15.4

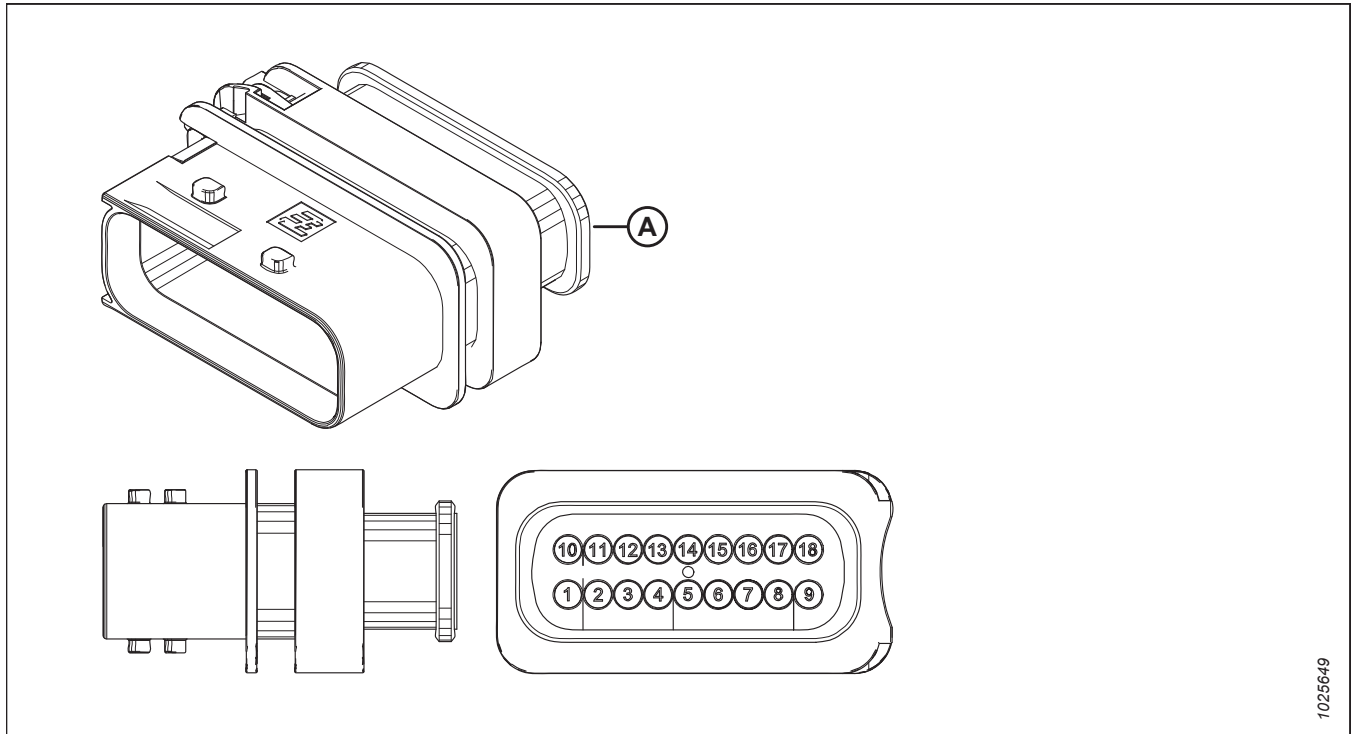


1025648

	MacDon Part #	Description	Manufacturer	Series	Manufacturer Part #
A	134591	Connector – Plug	Deutsch	DT	DT16-18SD-K004
B	134026	Terminal – Socket		Size 16	0462-201-16141 (nickel), 0462-201-1631 (gold)
		Lock			
		Secondary Lock			
		Seal			
		Mating Connector			
		Extraction Tool		0411-336-1605	
		Crimp Tool			
		Cavity Plug		114017	
		Boots/Caps		1011-349-1205	

18-POSITION CONNECTORS

15.5

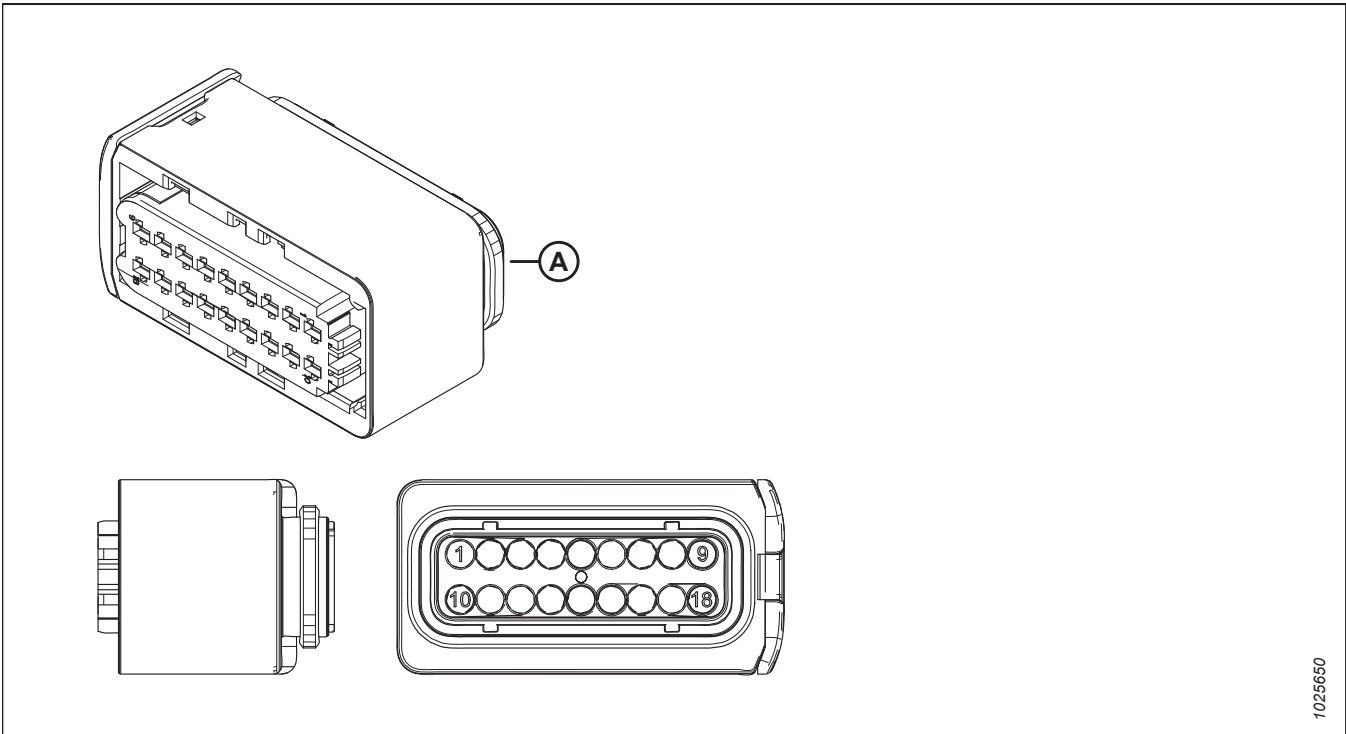


1025649

	MacDon Part #	Description	Manufacturer	Series	Manufacturer Part #
A		Connector – Plug	Tyco		1-1564412-1
		Terminal			
		Lock			
		Secondary Lock			
		Seal			
		Mating Connector			
		Extraction Tool			
		Crimp Tool			
		Cavity Plug			
		Boots/Caps			

18-POSITION CONNECTORS

15.6

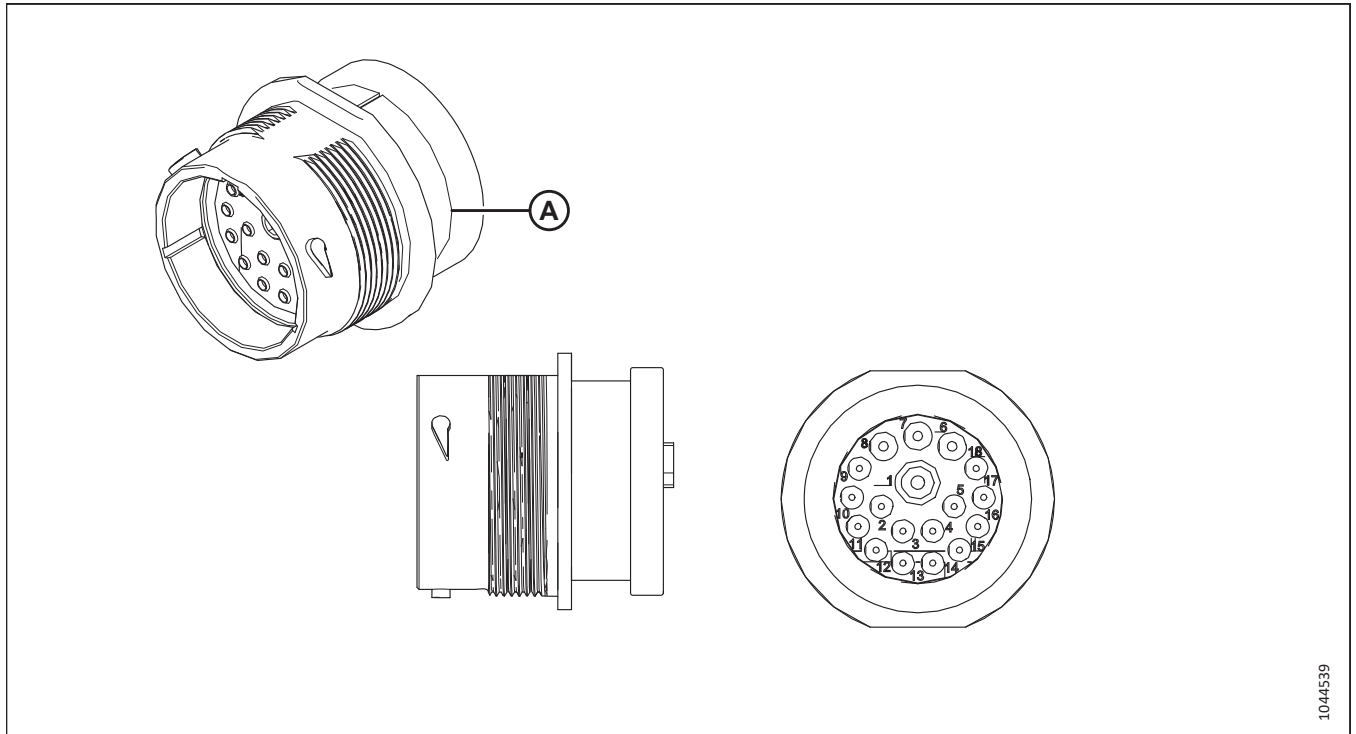


1025650

	MacDon Part #	Description	Manufacturer	Series	Manufacturer Part #
A		Connector – Receptacle	Tyco		1-1563759-1
		Terminal			
		Lock			
		Secondary Lock			
		Seal			
		Mating Connector			
		Extraction Tool			
		Crimp Tool			
		Cavity Plug			
		Boots/Caps			

18-POSITION CONNECTORS

15.7

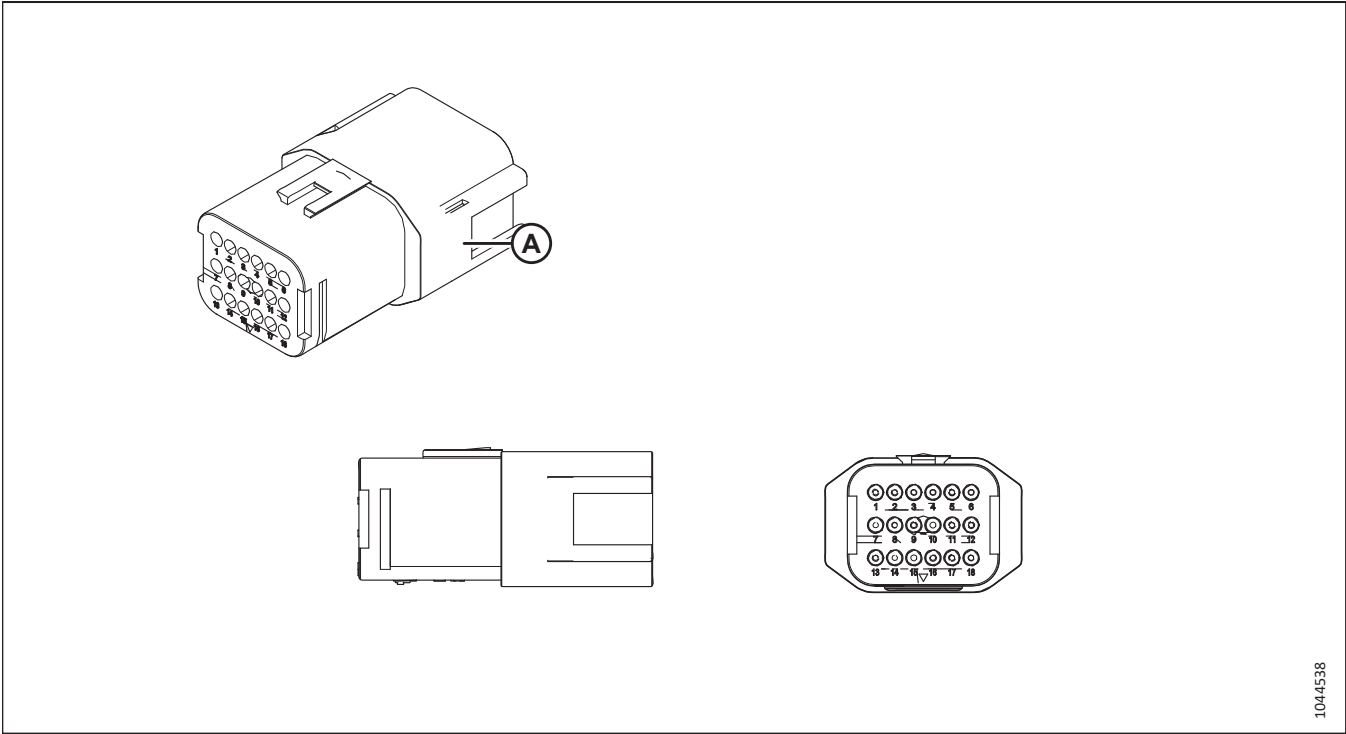


1044539

	MacDon Part #	Description	Manufacturer	Series	Manufacturer Part #
A		Connector – Receptacle	Deutsch	HDP20	HDP24-24-18PE-L017
		Terminal			
		Lock			
		Secondary Lock			
		Seal			
		Mating Connector			
		Extraction Tool			
		Crimp Tool			
		Cavity Plug			
		Boots/Caps			

18-POSITION CONNECTORS

15.8

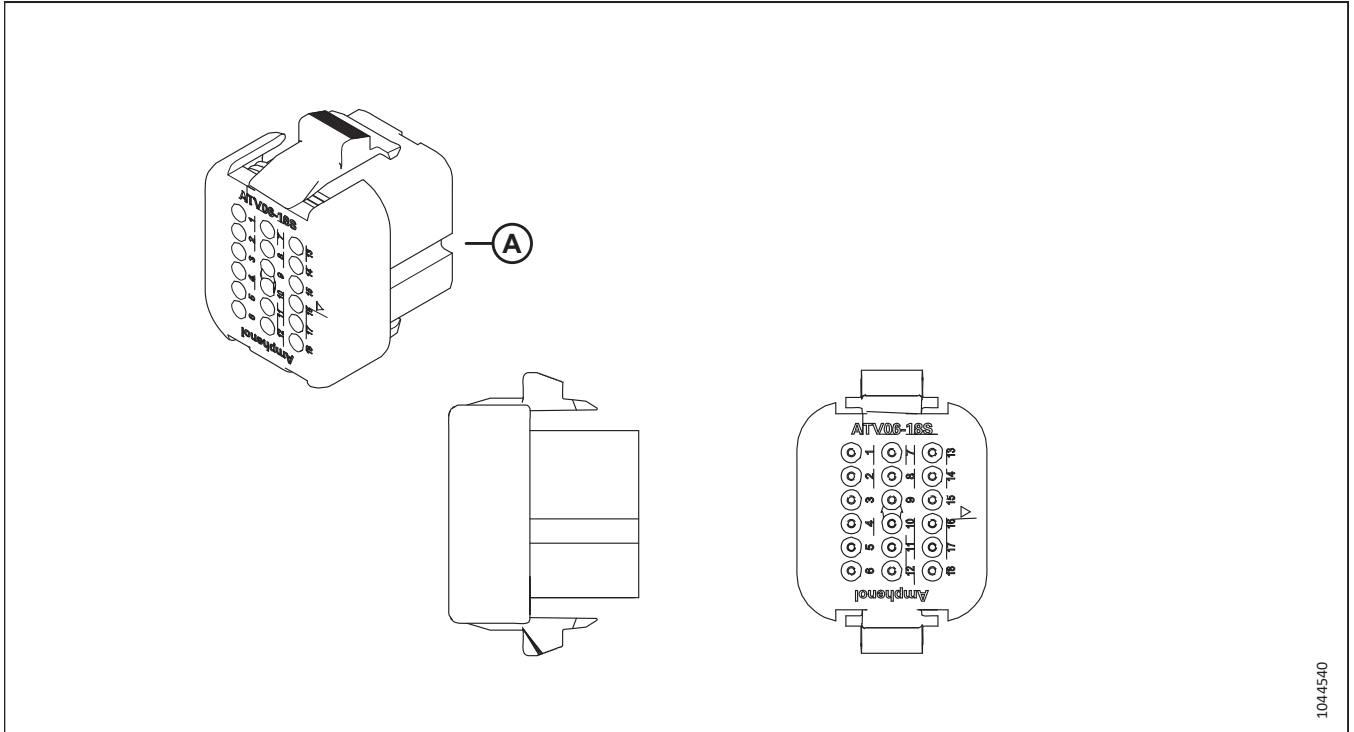


1044538

	MacDon Part #	Description	Manufacturer	Series	Manufacturer Part #
A		Connector – Receptacle	Amphenol	HDP20	ATV04-18PB
		Terminal			
		Lock			
		Secondary Lock			
		Seal			
		Mating Connector			
		Extraction Tool			
		Crimp Tool			
		Cavity Plug			
		Boots/Caps			

18-POSITION CONNECTORS

15.9

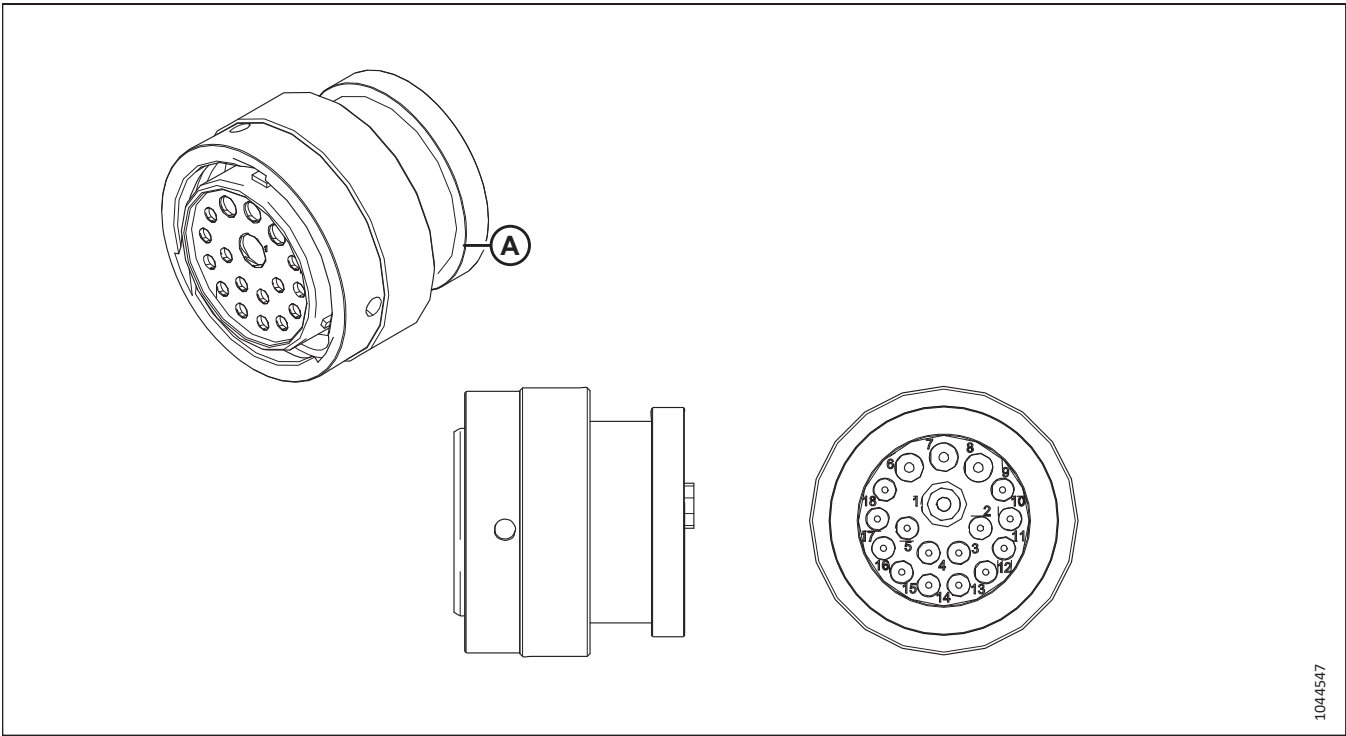


1044540

	MacDon Part #	Description	Manufacturer	Series	Manufacturer Part #
A		Connector – Plug	Amphenol	ATV	ATV04-18SB
		Terminal			
		Lock			
		Secondary Lock			
		Seal			
		Mating Connector			
		Extraction Tool			
		Crimp Tool			
		Cavity Plug			
		Boots/Caps			

18-POSITION CONNECTORS

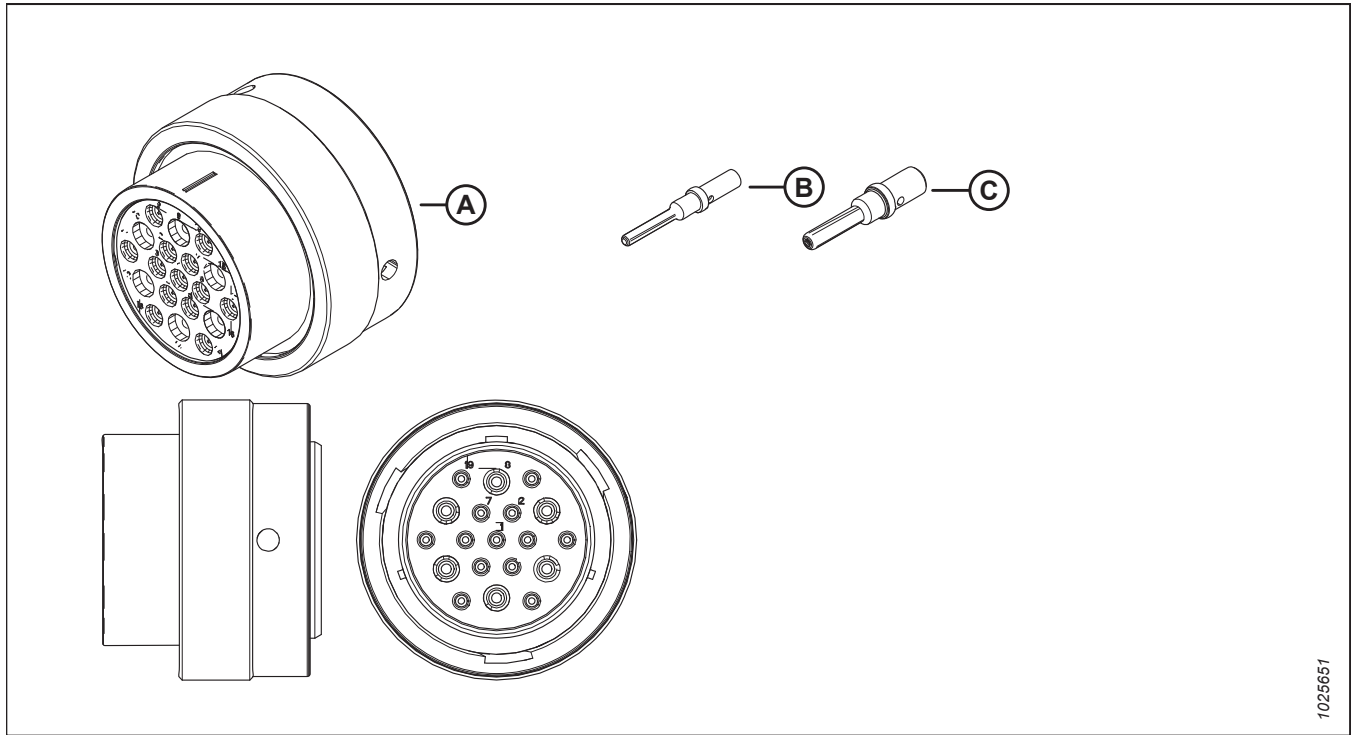
15.10



	MacDon Part #	Description	Manufacturer	Series	Manufacturer Part #
A		Connector – Plug	Deutsch	HDP20	HDP26-24-18SE-L017
		Terminal			
		Lock			
		Secondary Lock			
		Seal			
		Mating Connector			
		Extraction Tool			
		Crimp Tool			
		Cavity Plug			
		Boots/Caps			

Chapter 16: 19-Position Connectors

16.1

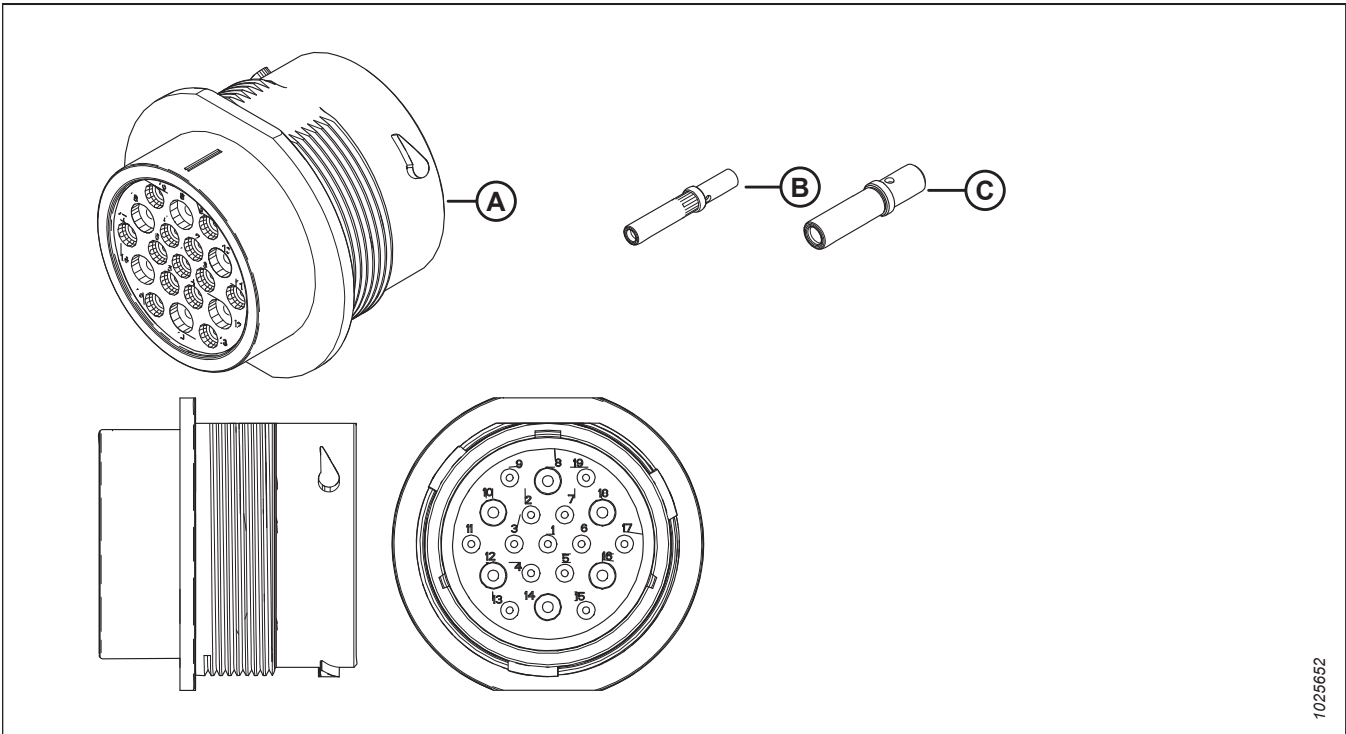


1025651

	MacDon Part #	Description	Manufacturer	Series	Manufacturer Part #
A		Connector – Plug	Deutsch	HD30	HD36-24-19PE
B	134023	Terminal – Pin		Size 16	0460-202-16141 (nickel), 0460-202-1631 (gold)
C	134024	Terminal – Pin		Size 12	0460-204-12141 (nickel), 0460-220-1231 (gold)
		Seal			
		Mating Connector		HD34-24-19SE	
		Extraction Tool			
		Crimp Tool			
		Cavity Plug			
		Boots/Caps		HD30-24BT, HDC34-24, WHDS-24-1, WHDS-24-2	

19-POSITION CONNECTORS

16.2

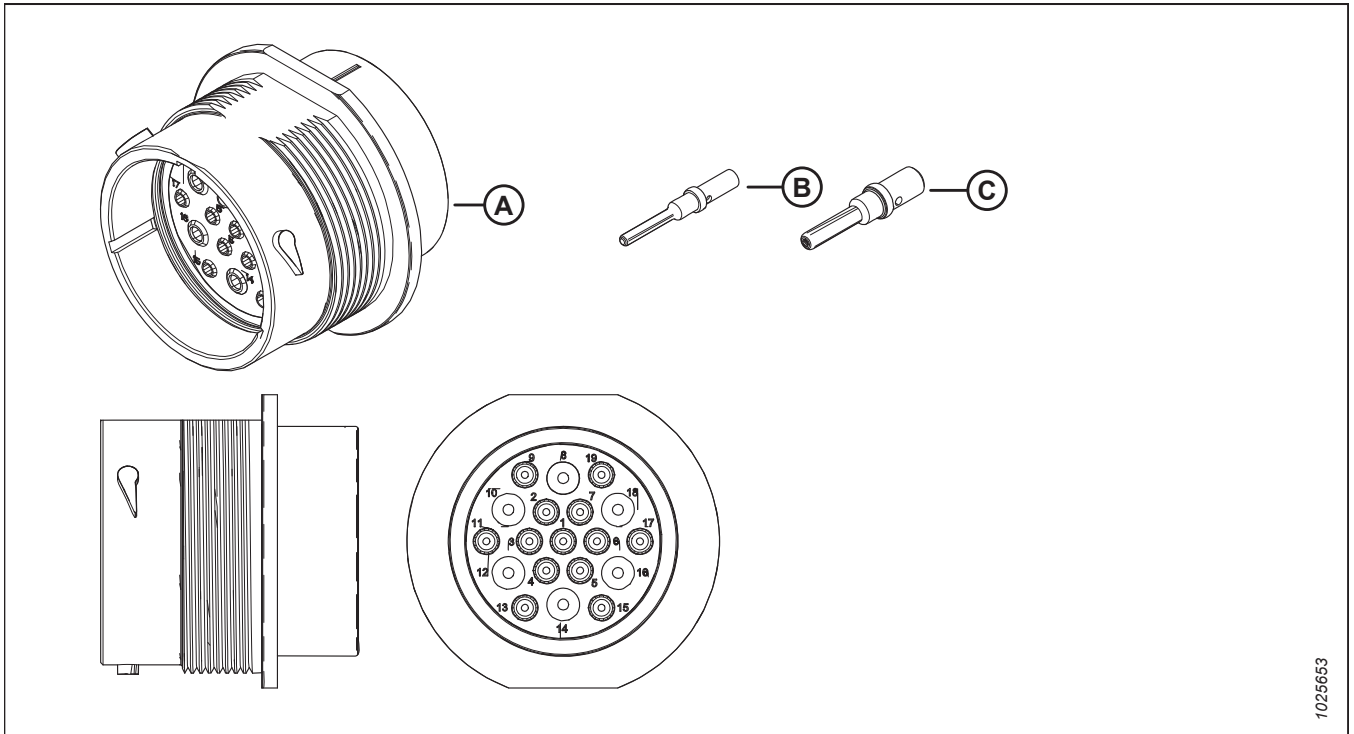


1025652

	MacDon Part #	Description	Manufacturer	Series	Manufacturer Part #
A		Connector – Receptacle	Deutsch	HD30	HD34-24-19SE
B	134026	Terminal – Socket		Size 16	0462-201-16141 (nickel), 0462-201-1631 (gold)
C	134027	Terminal – Socket		Size 12	0462-203-12141 (nickel), 0462-210-1231 (gold)
		Lock			
		Secondary Lock			
		Seal			
		Mating Connector		HD36-24-19PE	
		Extraction Tool			
		Crimp Tool			
		Boots/Caps		HD30-24BT, 112263-90, 112264, HDC36-24	

19-POSITION CONNECTORS

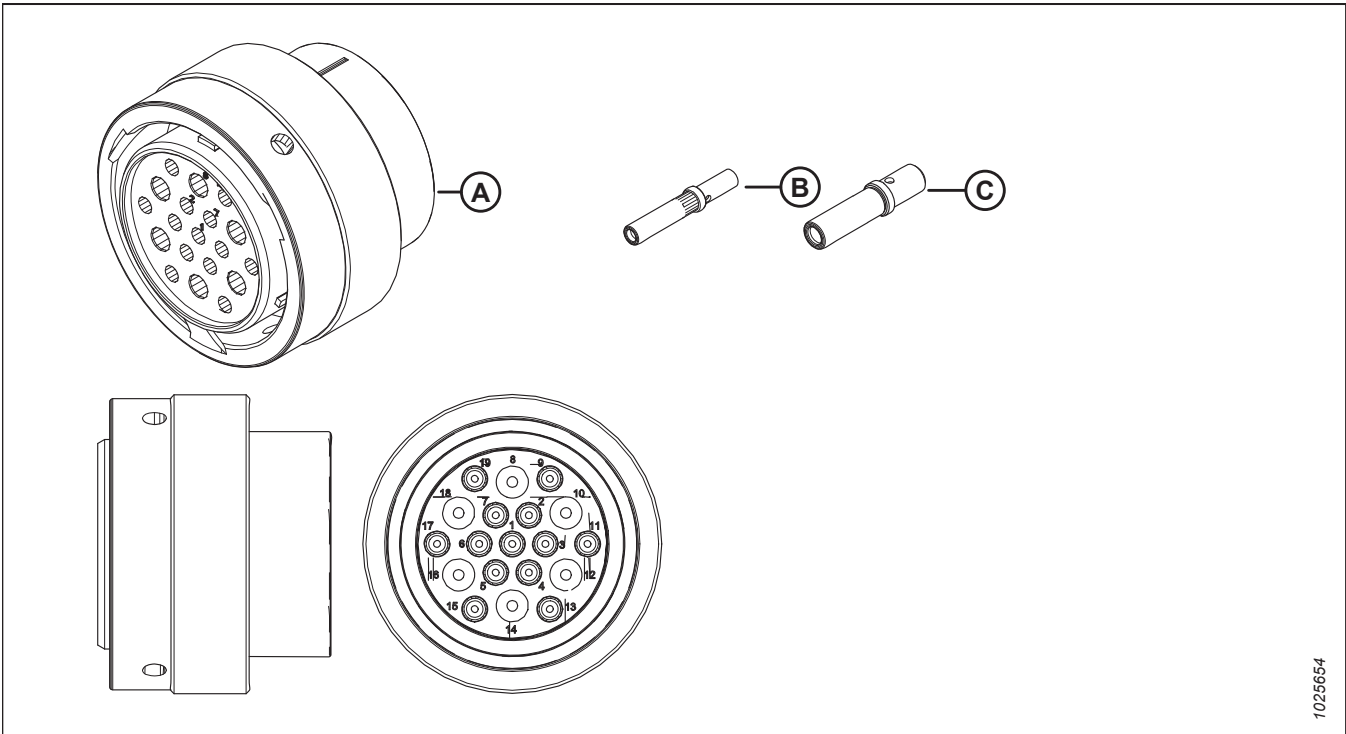
16.3



	MacDon Part #	Description	Manufacturer	Series	Manufacturer Part #
A		Connector – Receptacle	Deutsch	HD30	HD34-24-19PE
B	134023	Terminal – Pin		Size 16	0460-202-16141 (nickel), 0460-202-1631 (gold)
C	134024	Terminal – Pin		Size 12	0460-204-12141 (nickel), 0460-220-1231 (gold)
		Lock			
		Secondary Lock			
		Seal			
		Mating Connector		HD36-24-19SE	
		Extraction Tool			
		Crimp Tool			
		Boots/Caps		HD30-24BT, 112263-90, 112264, HDC36-24	

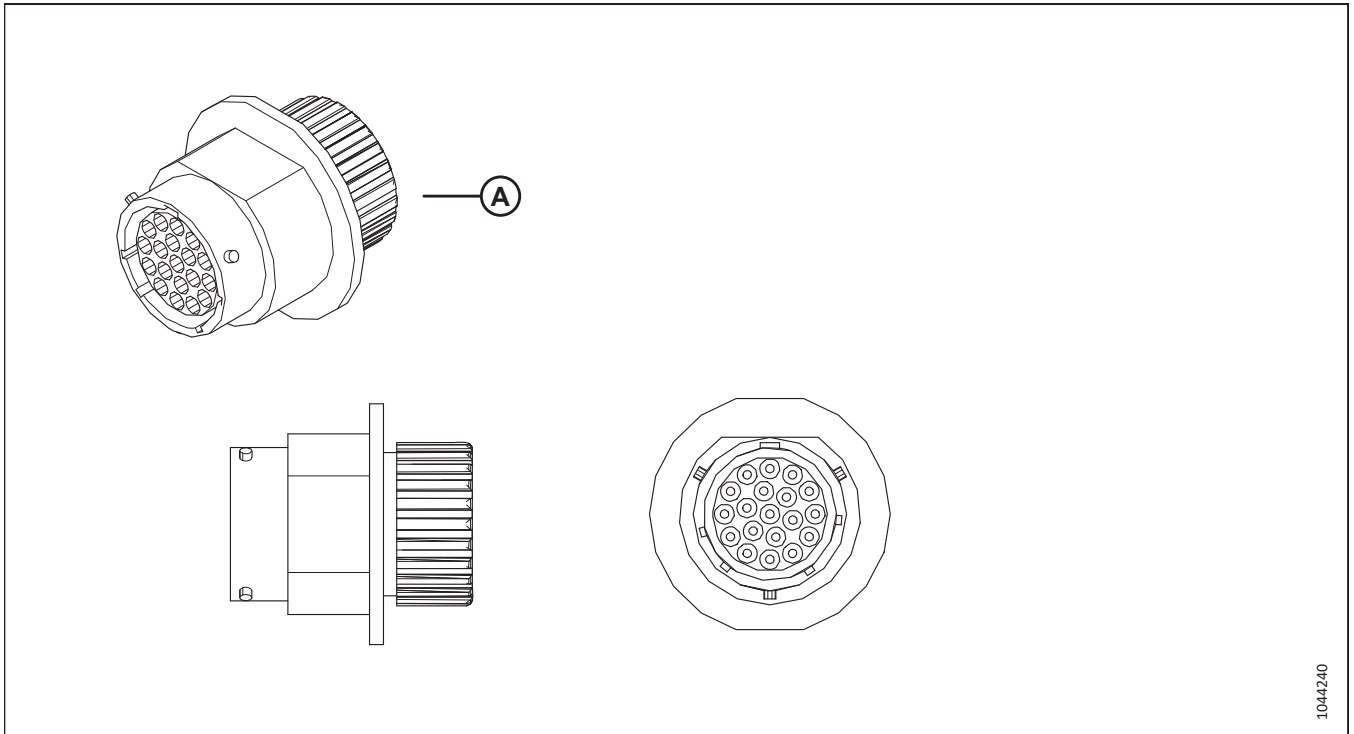
19-POSITION CONNECTORS

16.4



	MacDon Part #	Description	Manufacturer	Series	Manufacturer Part #
A		Connector – Plug	Deutsch	HD30	HD36-24-19SE
B	134026	Terminal – Socket		Size 16	0462-201-16141 (nickel), 0462-201-1631 (gold)
C	134027	Terminal – Socket		Size 12	0462-203-12141 (nickel), 0462-210-1231 (gold)
		Lock			
		Secondary Lock			
		Seal			
		Mating Connector	HD34-24-19PE		
		Extraction Tool			
		Crimp Tool			
		Boots/Caps	HD30-24BT, HDC34-24, WHDS-24-1, WHDS-24-2		

16.5

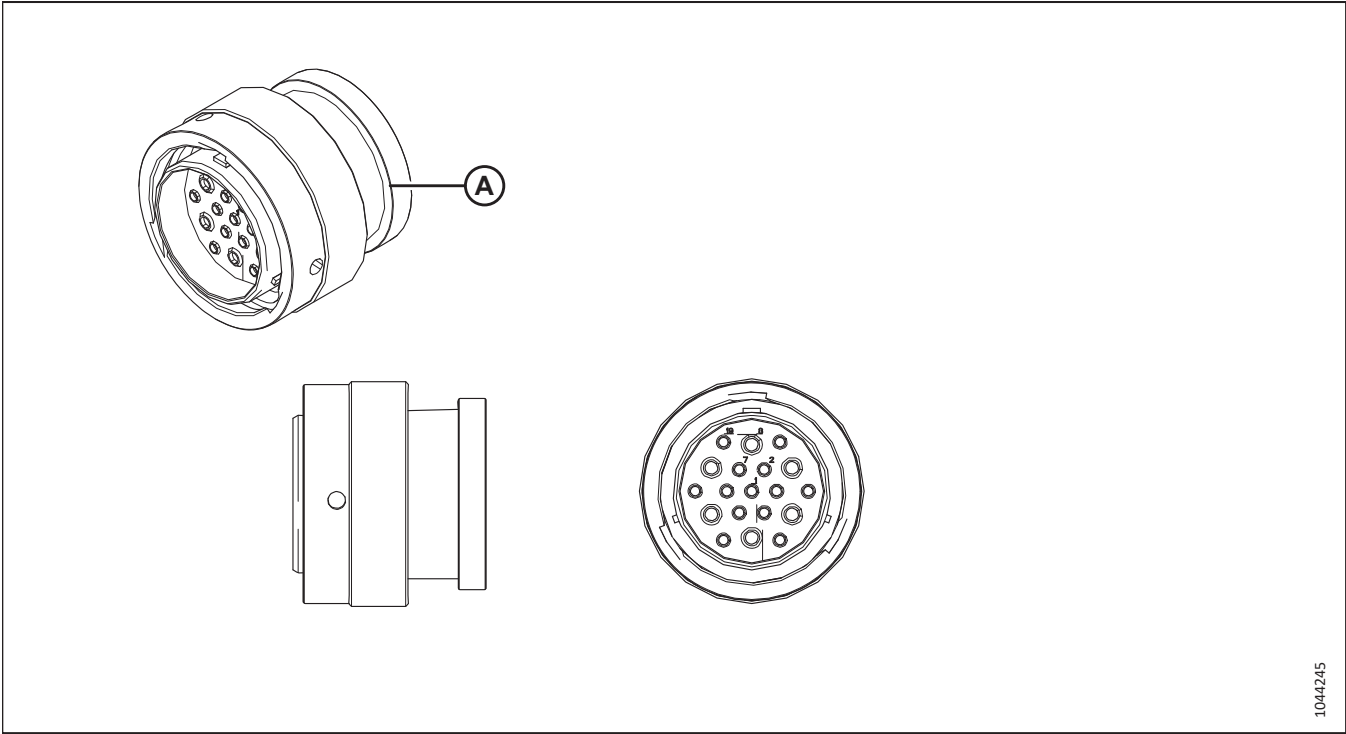


1044240

	MacDon Part #	Description	Manufacturer	Series	Manufacturer Part #
A		Connector – Receptacle	ITT Cannon	Trident	192900-0490
		Terminal			
		Lock			
		Secondary Lock			
		Seal			
		Mating Connector			
		Extraction Tool			
		Crimp Tool			
		Cavity Plug			
		Boots/Caps			

19-POSITION CONNECTORS

16.6

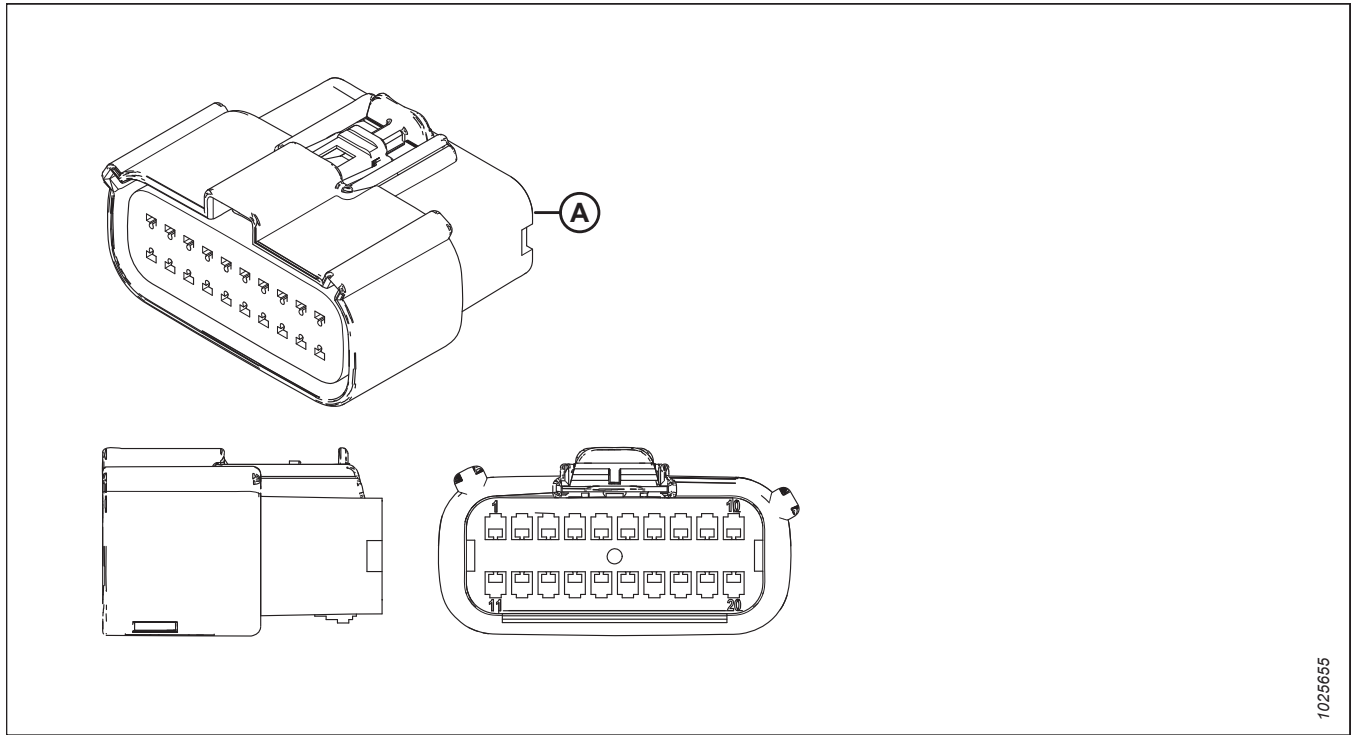


1044245

	MacDon Part #	Description	Manufacturer	Series	Manufacturer Part #
A		Connector – Receptacle	Deutsch	HDP20	HDP-24-24-19SN
		Terminal			
		Lock			
		Secondary Lock			
		Seal			
		Mating Connector			
		Extraction Tool			
		Crimp Tool			
		Cavity Plug			
		Boots/Caps			

Chapter 17: 20-Position Connectors

17.1

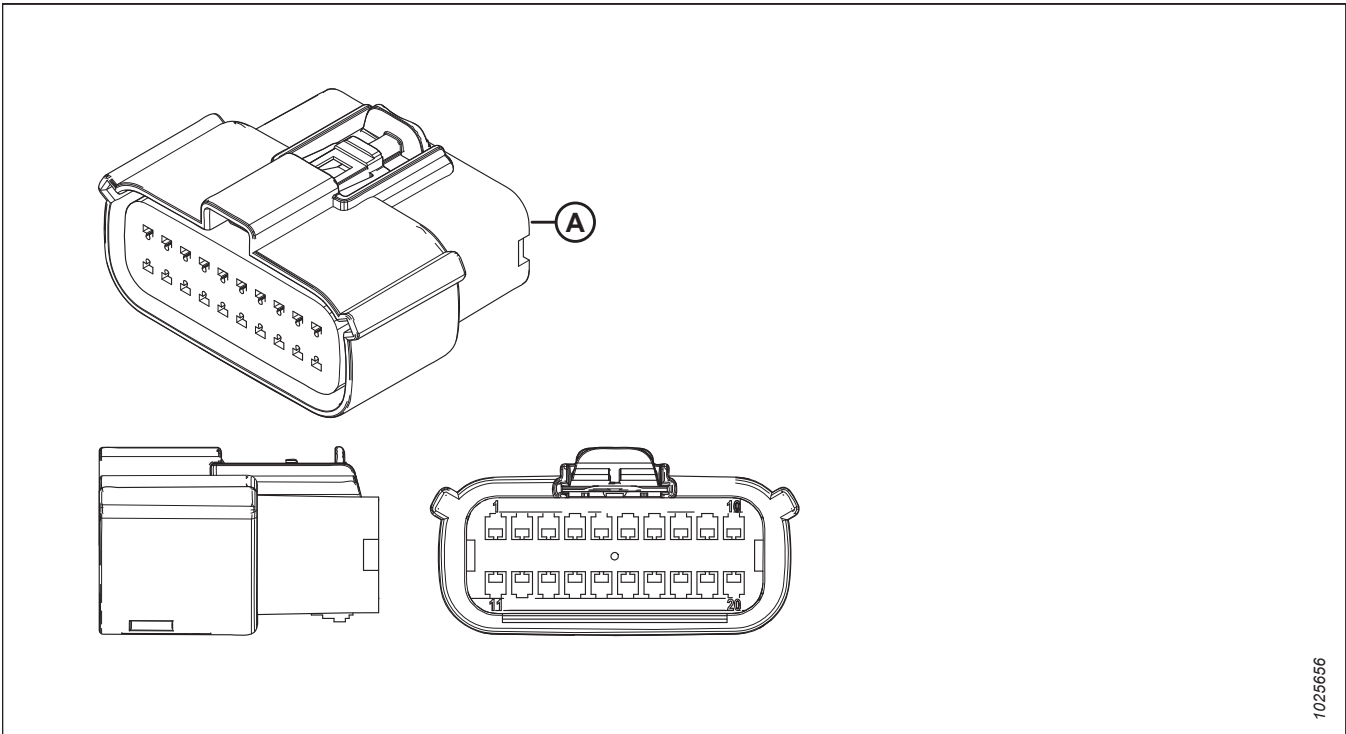


1025655

	MacDon Part #	Description	Manufacturer	Series	Manufacturer Part #
A	134389	Connector – Plug (LIGHT GRAY Housing)	Molex	MX150™ Female Terminal	33472-2007
		Terminal			33012
		Lock			
		Secondary Lock			
		Seal			
		Mating Connector		33482	
		Extraction Tool			
		Crimp Tool			
		Cavity Plug		34345-0001	
		Boots/Caps			

20-POSITION CONNECTORS

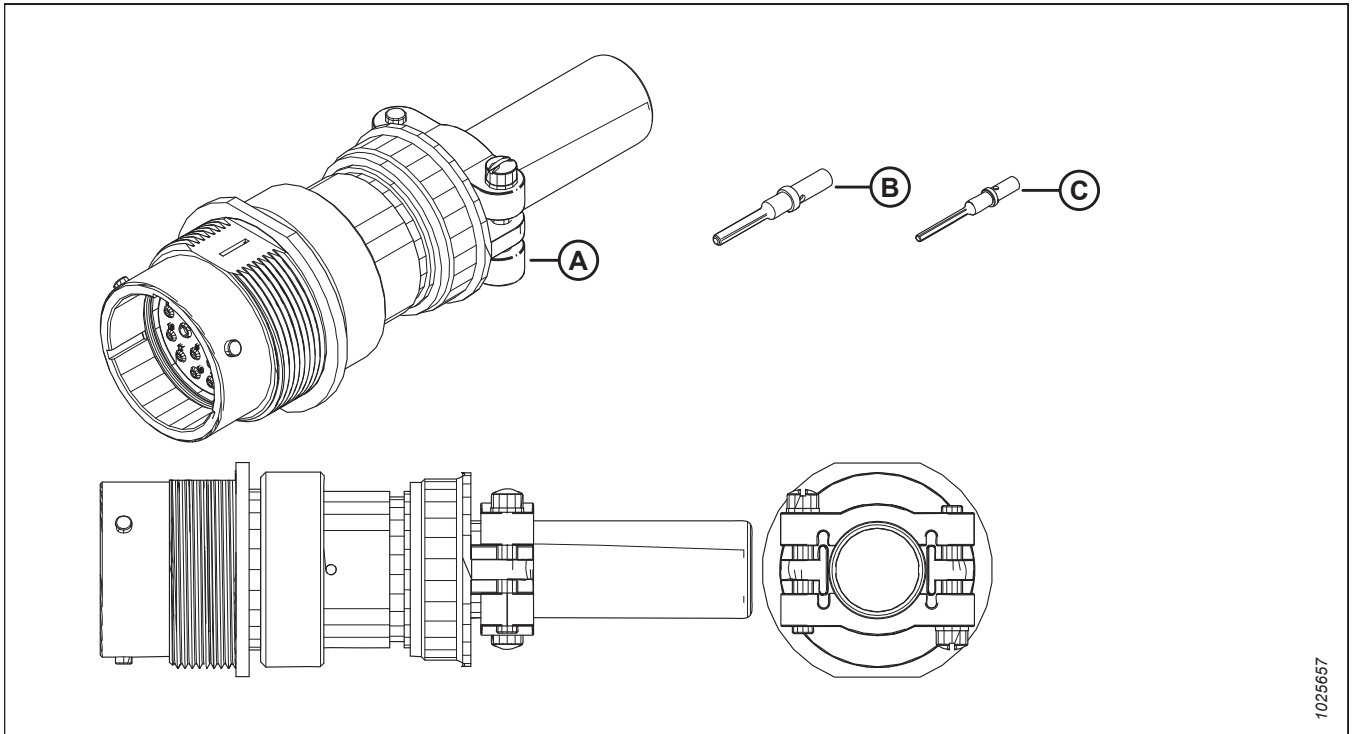
17.2



1025656

	MacDon Part #	Description	Manufacturer	Series	Manufacturer Part #
A	134390	Connector – Plug (BLACK Housing)	Molex	MX150™ Female Terminal	33472-2006
		Terminal			33012
		Lock			
		Secondary Lock			
		Seal			
		Mating Connector		33482	
		Extraction Tool			
		Crimp Tool			
		Cavity Plug		34345-0001	
		Boots/Caps			

17.3

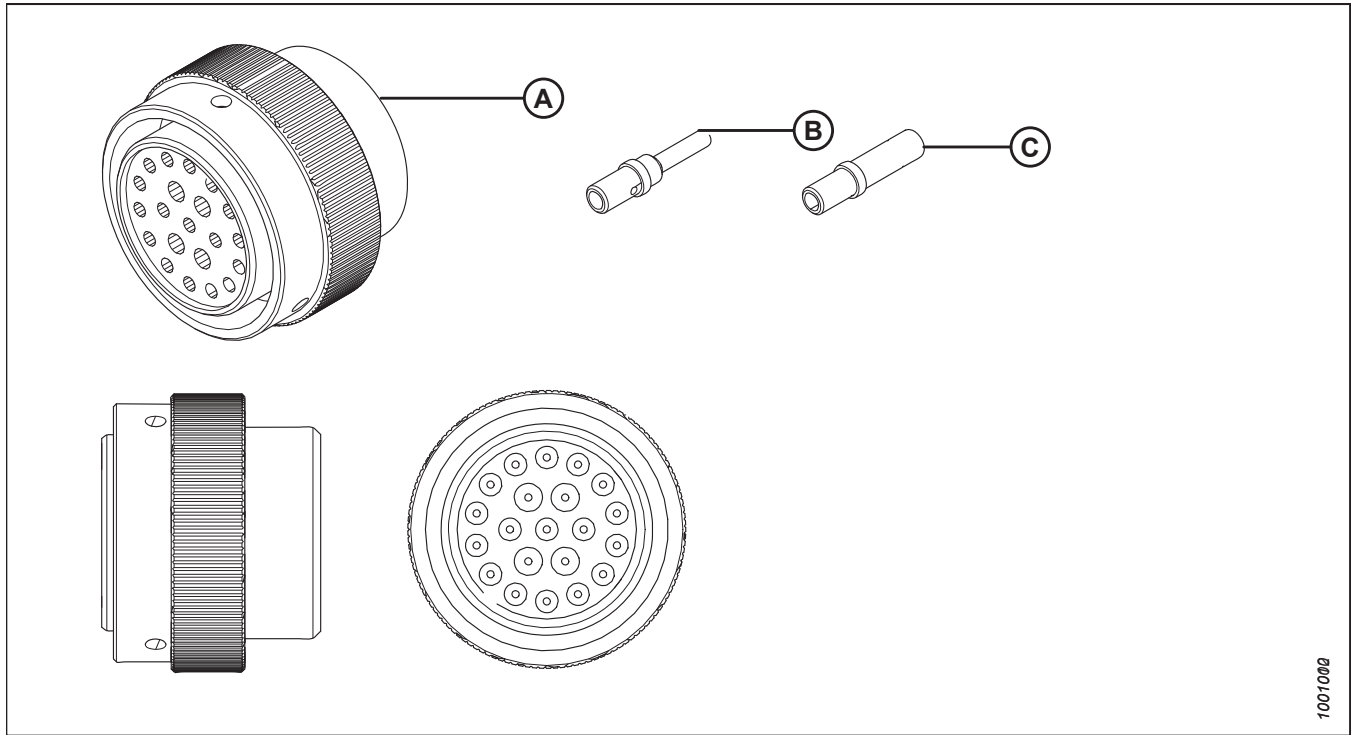


1025657

	MacDon Part #	Description	Manufacturer	Series	Manufacturer Part #
A		Connector – Receptacle	Deutsch	HD30	HD34-18-20PN-059
B	134023	Terminal – Pin		Size 16	0460-202-16141 (nickel), 0460-202-1631 (gold)
C	134016	Terminal – Pin		Size 20	0460-202-20141 (nickel), 0460-202-2031 (gold)
		Lock			
		Seal			
		Mating Connector			
		Extraction Tool			
		Crimp Tool			
		Cavity Plug			
		Boots/Caps			

Chapter 18: 21-Position Connectors

18.1

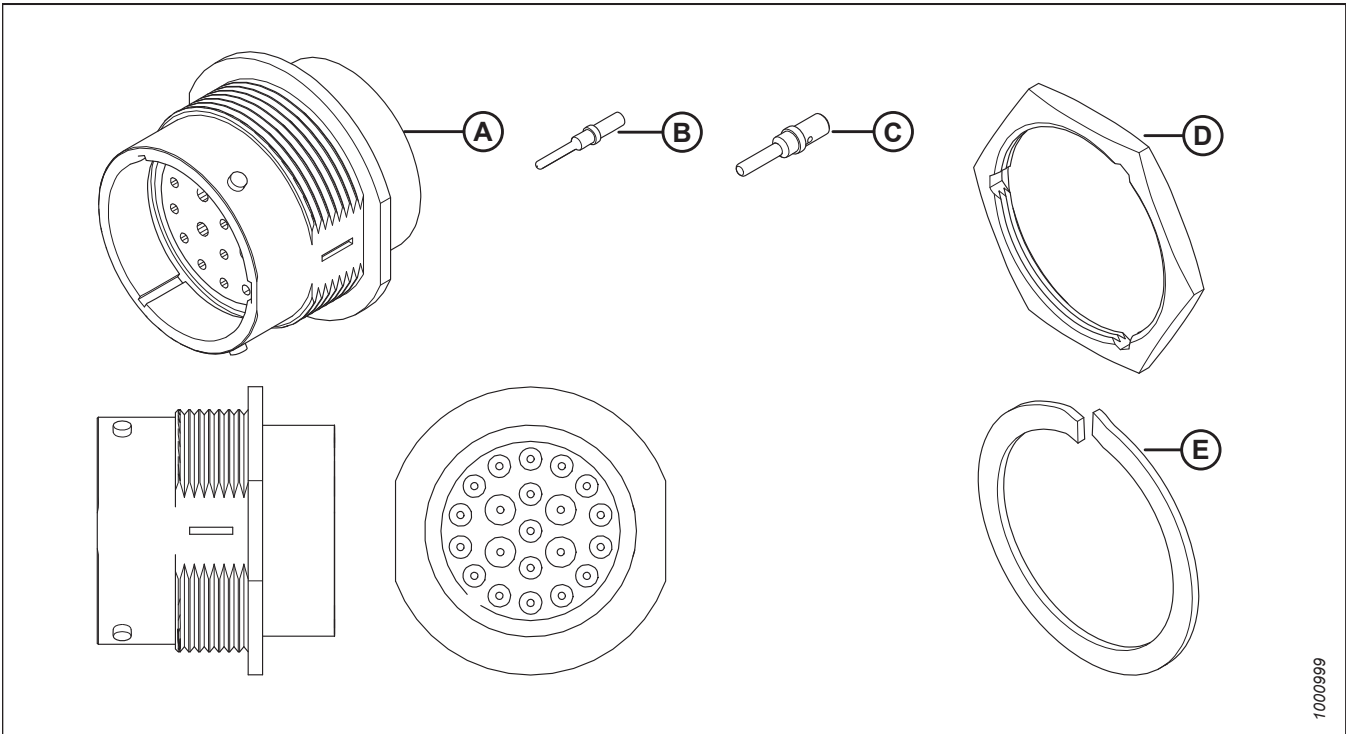


1001009

	MacDon Part #	Description	Manufacturer	Series	Manufacturer Part #
A		Connector – Plug (10–20 ga)	Deutsch	HD30	HD36-24-21SE
B	134026	Terminal – Socket	Deutsch	Size 16	0462-201-16141 (nickel), 0462-201-1631 (gold)
C	134027	Terminal – Socket	Deutsch	Size 12	0462-203-12141 (nickel), 0462-210-1231 (gold)
		Mating Connector		HD34-24-21PN	
	134012 134013 134014	Extraction Tool		0411-240-2005 0411-310-605 114010	
		Crimp Tool			

21-POSITION CONNECTORS

18.2

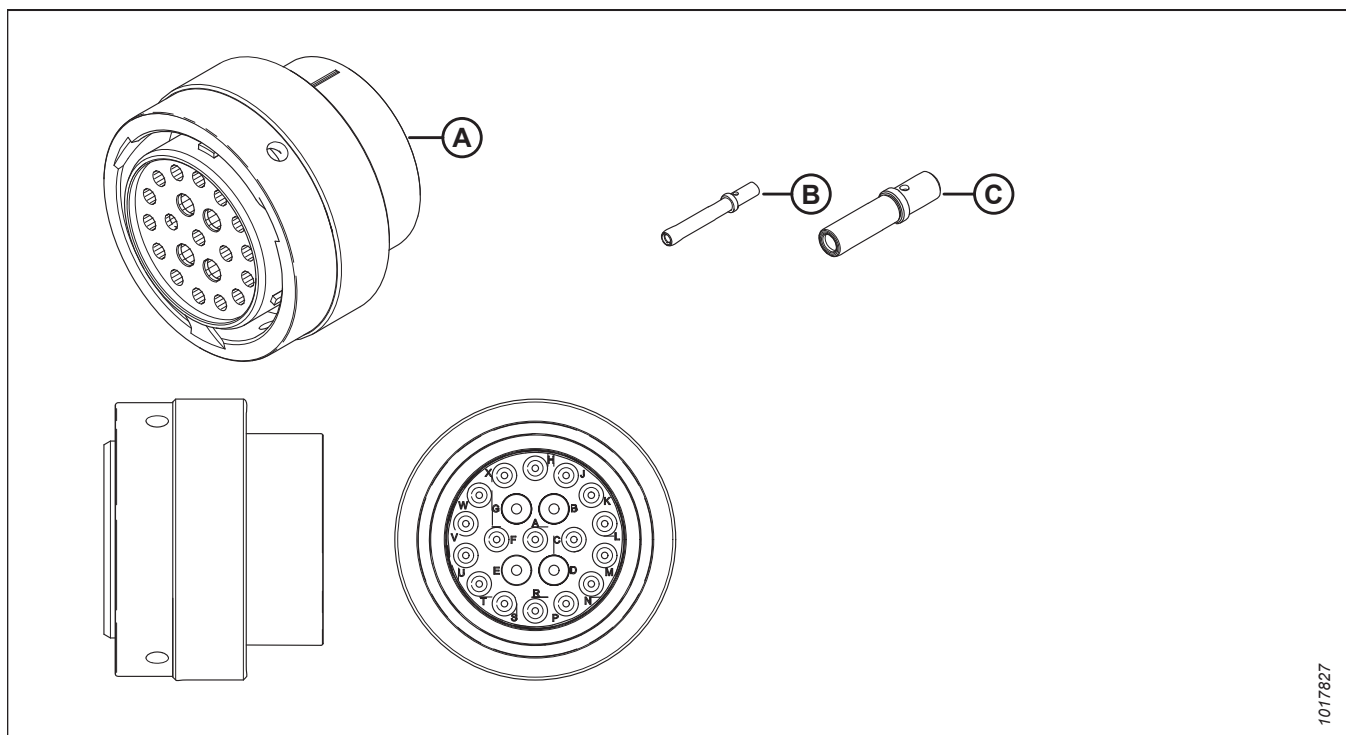


1000999

	MacDon Part #	Description	Manufacturer	Series	Manufacturer Part #
A		Connector – Receptacle	Deutsch	HD30	HD34-24-21PN
B	134023	Terminal – Pin		Size 16	0460-202-16141 (nickel), 0460-202-1631 (gold)
C	134024	Terminal – Pin		Size 12	0460-204-12141 (nickel), 0460-220-1231 (gold)
D	134010	Nut	Deutsch	HD30	112263-90
E	134011	Washer – Lock	Deutsch	HD30	112264
		Mating Connector		HD36-24-21SE	
	134012 134013 134014	Extraction Tool		0411-240-2005 0411-310-605 114010	
	134015	Crimp Tool		HDT-48-00	

21-POSITION CONNECTORS

18.3

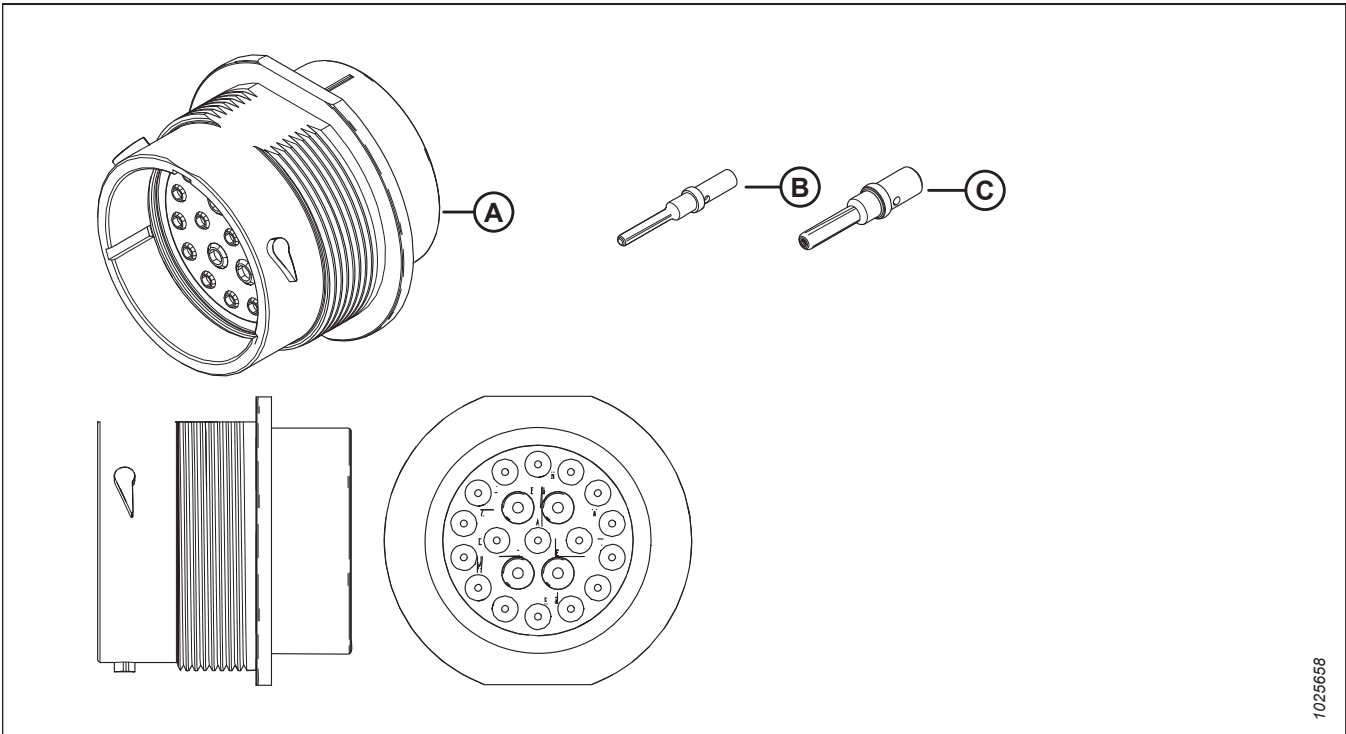


1017827

	MacDon Part #	Description	Manufacturer	Series	Manufacturer Part #
A		Connector – Plug	Deutsch	HDP20	HDP26-24-21SE
B	134026	Terminal – Socket	Deutsch	Size 16	0462-201-16141 (nickel), 0462-201-1631 (gold)
C	134027	Terminal – Socket	Deutsch	Size 12	0462-203-12141 (nickel), 0462-210-1231 (gold)
		Mating Connector	HDP24-24-21PE		
		Extraction Tool			
		Crimp Tool			

21-POSITION CONNECTORS

18.4

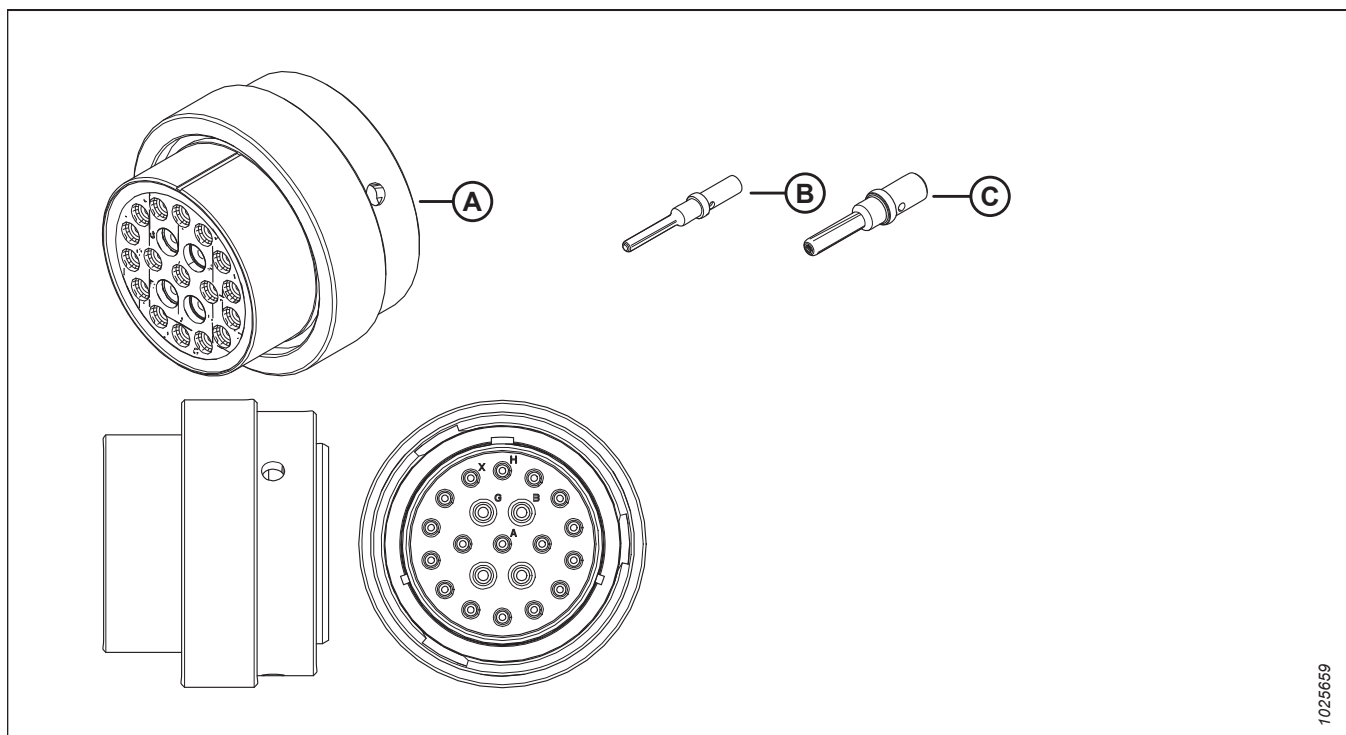


1025658

	MacDon Part #	Description	Manufacturer	Series	Manufacturer Part #
A		Connector – Receptacle	Deutsch	HDP20	HDP24-24-21PE
B	134023	Terminal – Pin		Size 16	0460-202-16141 (nickel), 0460-202-1631 (gold)
C	134024	Terminal – Pin		Size 12	0460-204-12141 (nickel), 0460-220-1231 (gold)
		Lock			
		Seal			
		Mating Connector	HDP26-24-21SE		
		Extraction Tool			
		Crimp Tool			
		Cavity Plug			
		Boots/Caps	HD30-24BT-BK, 2411-001-2405, 2414-001-2486, HDC26-24		

21-POSITION CONNECTORS

18.5

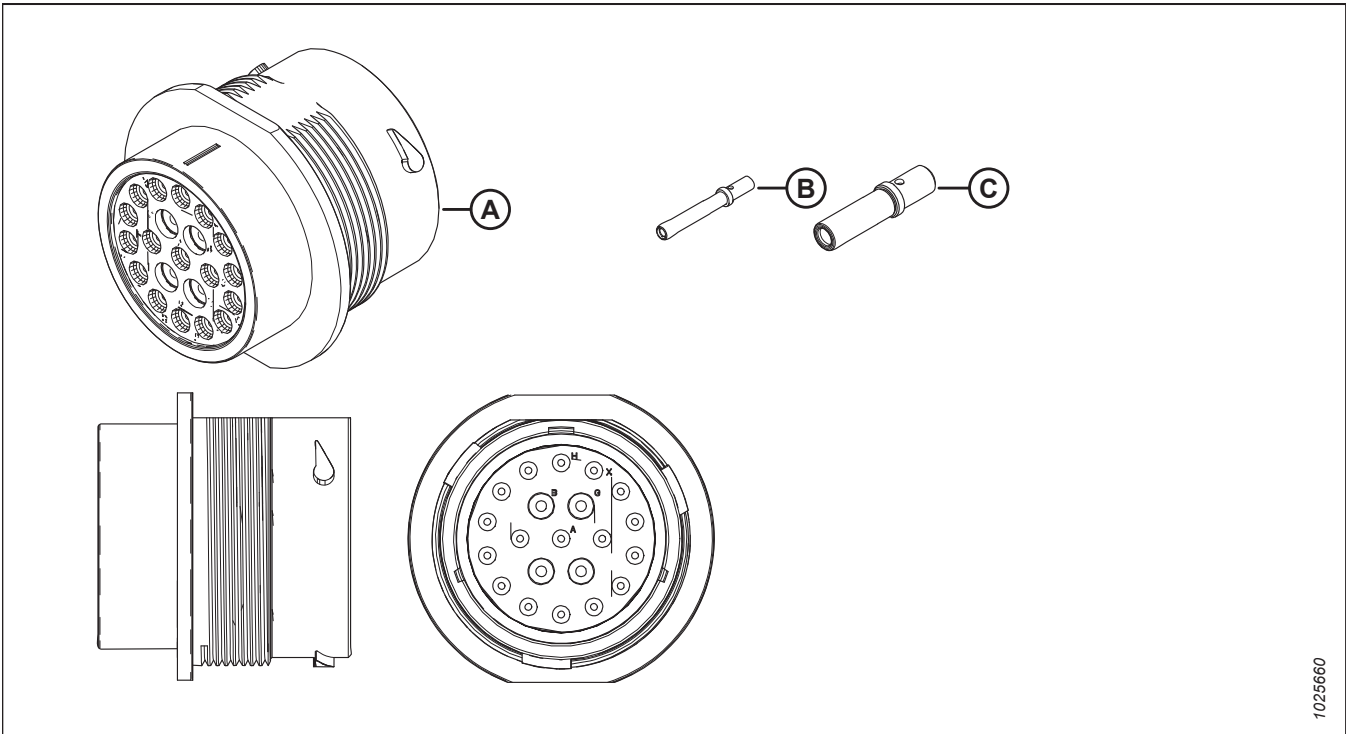


1025659

	MacDon Part #	Description	Manufacturer	Series	Manufacturer Part #
A		Connector – Plug	Deutsch	HDP20	HDP26-24-21PE
B	134023	Terminal – Pin		Size 16	0460-202-16141 (nickel), 0460-202-1631 (gold)
C	134024	Terminal – Pin		Size 12	0460-204-12141 (nickel), 0460-220-1231 (gold)
		Lock			
		Secondary Lock			
		Seal			
		Mating Connector		HDP24-24-21SE	
		Extraction Tool		0411-336-1605, 0411-337-1205	
		Crimp Tool			
		Boots/Caps		HD30-24BT-BK, HD30-24BT-90-BK	

21-POSITION CONNECTORS

18.6

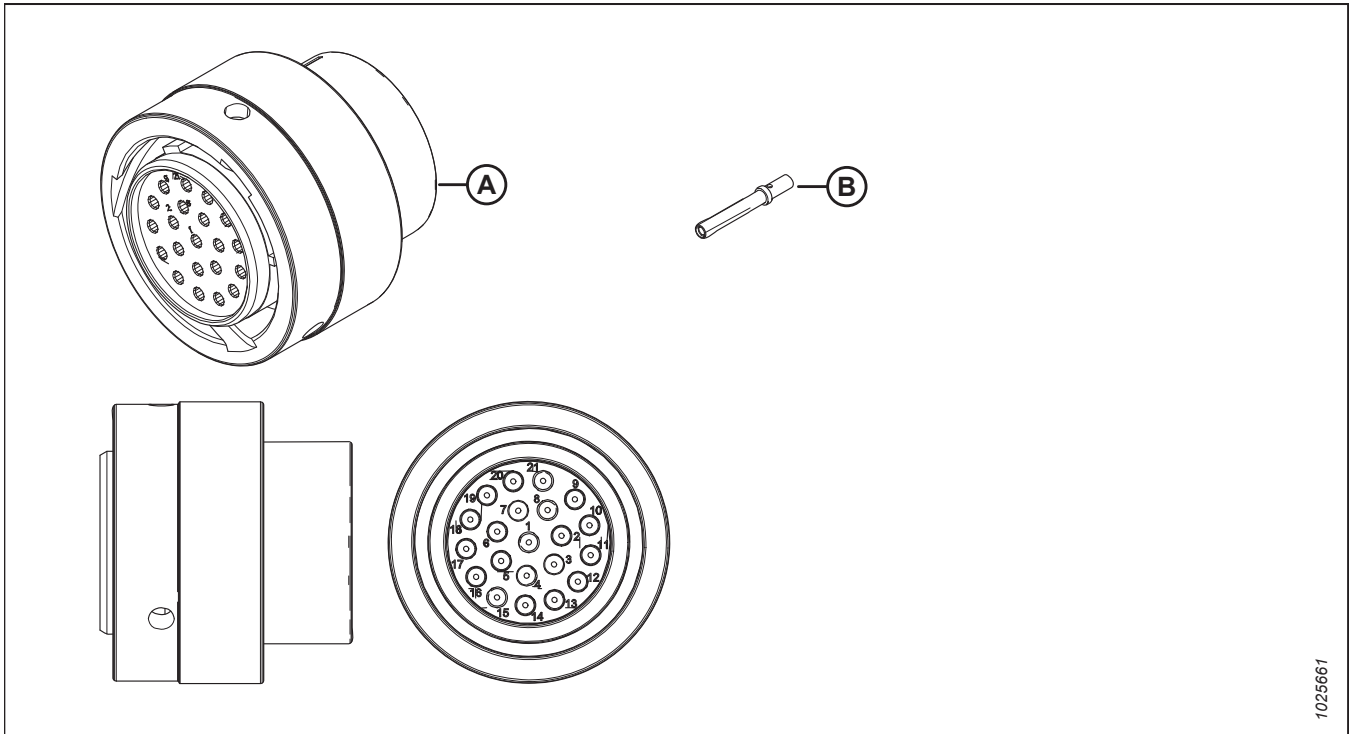


1025660

	MacDon Part #	Description	Manufacturer	Series	Manufacturer Part #
A		Connector – Receptacle	Deutsch	HDP20	HDP24-24-21SE
B	134026	Terminal – Socket	Deutsch	Size 16	0462-201-16141 (nickel), 0462-201-1631 (gold)
C	134027	Terminal – Socket	Deutsch	Size 12	0462-203-12141 (nickel), 0462-210-1231 (gold)
		Lock			
		Seal			
		Mating Connector	HDP26-24-21PE		
		Extraction Tool			
		Crimp Tool			
		Cavity Plug			
		Boots/Caps	HD30-24BT-BK, 2411-001-2405, 2414-001-2486, HDC26-24		

21-POSITION CONNECTORS

18.7

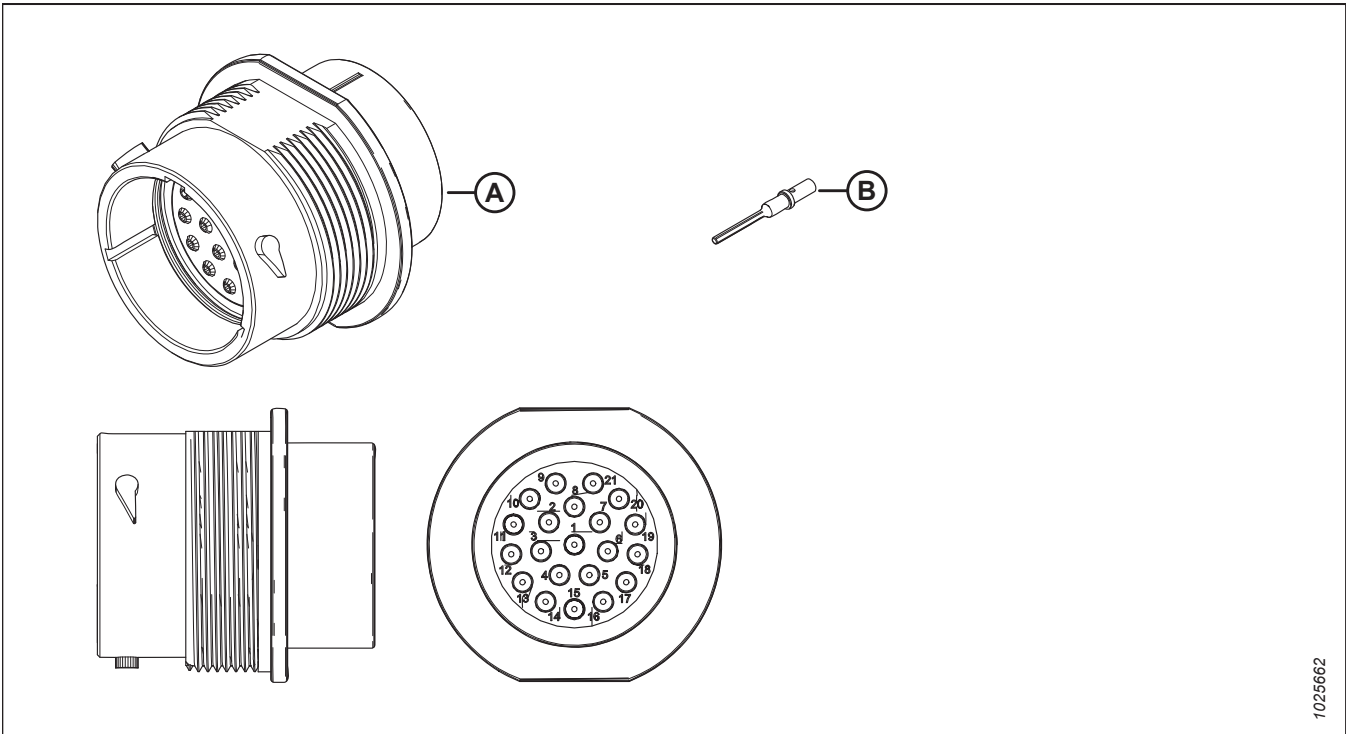


1025661

	MacDon Part #	Description	Manufacturer	Series	Manufacturer Part #
A		Connector – Plug	Deutsch	HDP20	HDP26-18-21SN
B	134017	Terminal – Socket		Size 20	0462-201-20141 (nickel), 0462-201-2031 (gold)
		Lock			
		Secondary Lock			
		Seal			
		Mating Connector			
		Extraction Tool			
		Crimp Tool			
		Cavity Plug			
		Boots/Caps			

21-POSITION CONNECTORS

18.8

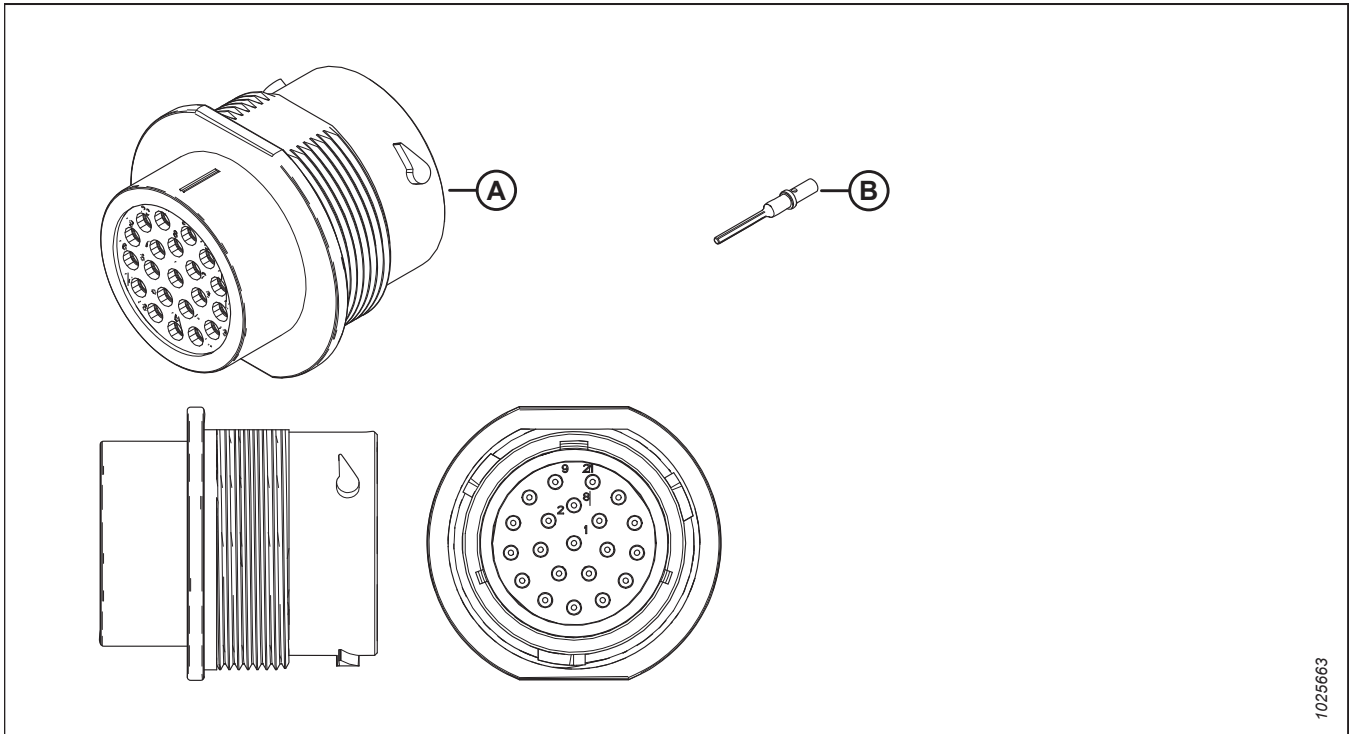


1025662

	MacDon Part #	Description	Manufacturer	Series	Manufacturer Part #
A		Connector – Receptacle	Deutsch	HDP20	HDP24-18-21PN
B	134016	Terminal – Pin		Size 20	0460-202-20141 (nickel), 0460-202-2031 (gold)
		Lock			
		Secondary Lock			
		Seal			
		Mating Connector			
		Extraction Tool			
		Crimp Tool			
		Cavity Plug			
		Boots/Caps			

21-POSITION CONNECTORS

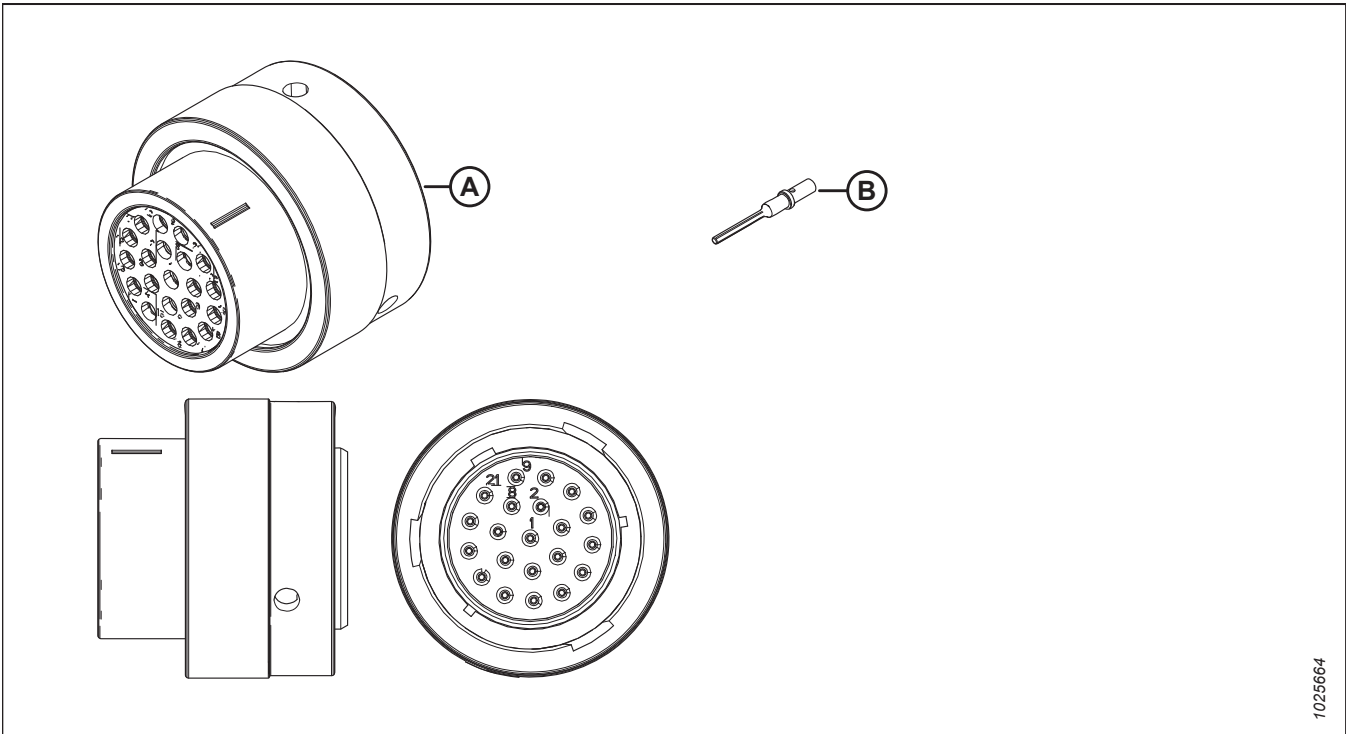
18.9



	MacDon Part #	Description	Manufacturer	Series	Manufacturer Part #
A		Connector – Receptacle	Deutsch	HDP20	HDP24-18-21SN
B	134016	Terminal – Pin		Size 20	0460-202-20141 (nickel), 0460-202-2031 (gold)
		Lock			
		Secondary Lock			
		Seal			
		Mating Connector			
		Extraction Tool			
		Crimp Tool			
		Cavity Plug			
		Boots/Caps			

21-POSITION CONNECTORS

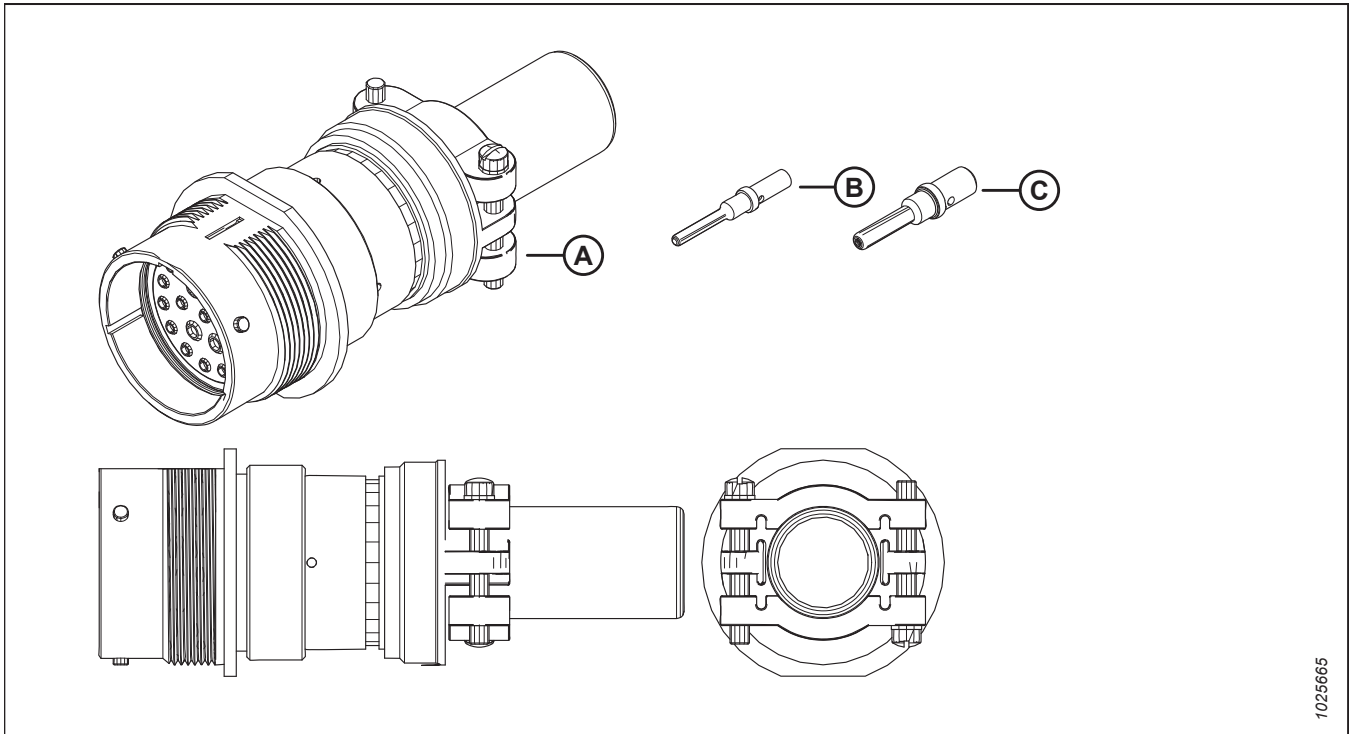
18.10



	MacDon Part #	Description	Manufacturer	Series	Manufacturer Part #
A		Connector – Plug	Deutsch	HDP20	HDP26-18-21PN
B	134016	Terminal – Pin		Size 20	0460-202-20141 (nickel), 0460-202-2031 (gold)
		Lock			
		Secondary Lock			
		Seal			
		Mating Connector			
		Extraction Tool			
		Crimp Tool			
		Cavity Plug			
		Boots/Caps			

21-POSITION CONNECTORS

18.11

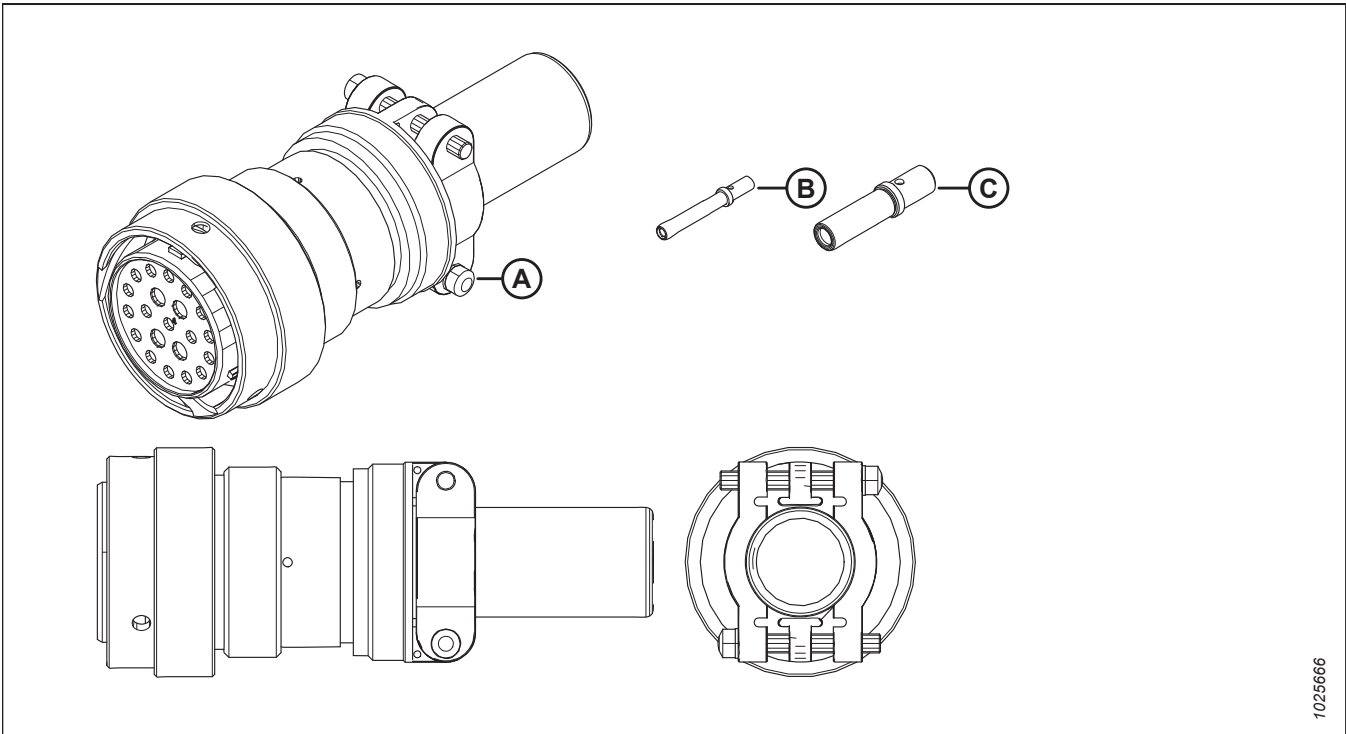


1025665

	MacDon Part #	Description	Manufacturer	Series	Manufacturer Part #
A		Connector – Receptacle	Deutsch	HD30	HD34-24-21PN
B	134023	Terminal – Pin		Size 16	0460-202-16141 (nickel), 0460-202-1631 (gold)
C	134024	Terminal – Pin		Size 12	0460-204-12141 (nickel), 0460-220-1231 (gold)
		Lock			
		Seal			
		Mating Connector			
		Extraction Tool			
		Crimp Tool			
		Cavity Plug			
		Boots/Caps			

21-POSITION CONNECTORS

18.12

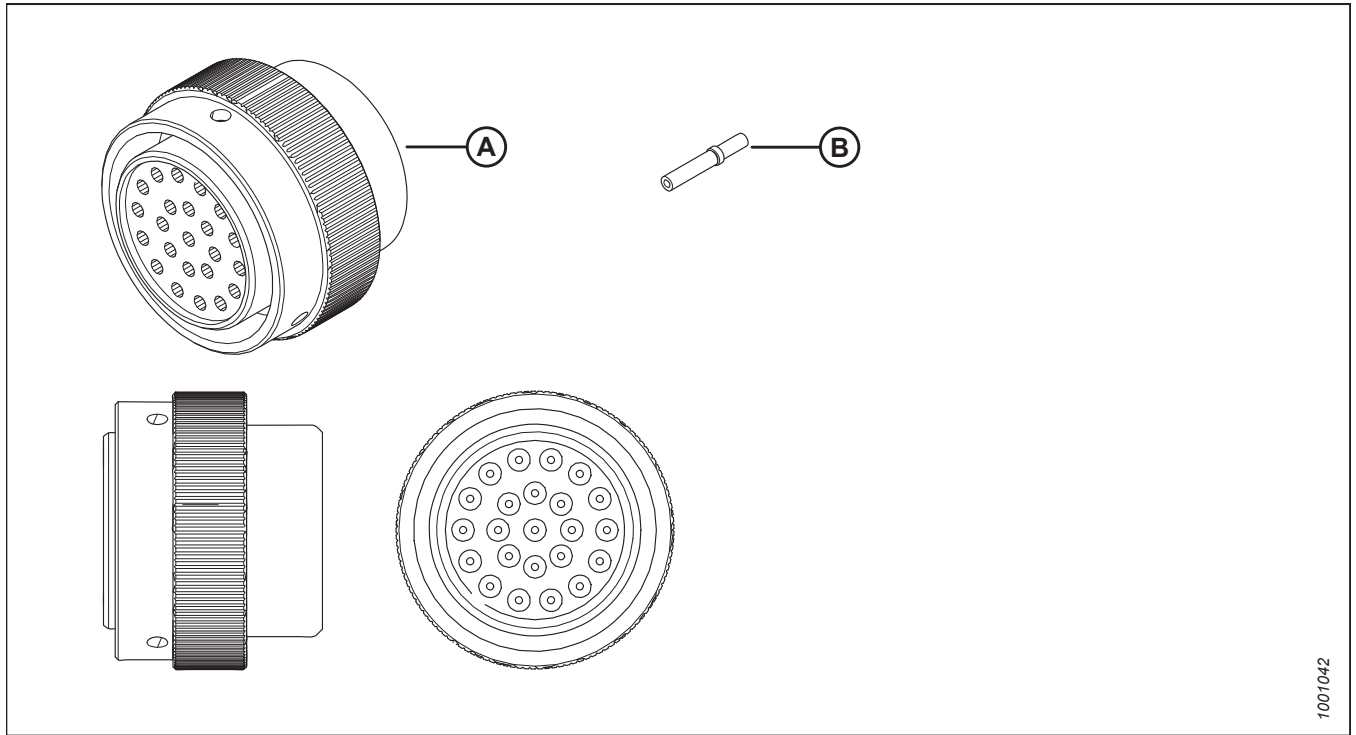


1025666

	MacDon Part #	Description	Manufacturer	Series	Manufacturer Part #
A		Connector – Plug	Deutsch	HD30	HD36-24-21SN-059
B	134026	Terminal – Socket	Deutsch	Size 16	0462-201-16141 (nickel), 0462-201-1631 (gold)
C	134027	Terminal – Socket	Deutsch	Size 12	0462-203-12141 (nickel), 0462-210-1231 (gold)
		Lock			
		Seal			
		Mating Connector			
		Extraction Tool			
		Crimp Tool			
		Cavity Plug			
		Boots/Caps			

Chapter 19: 23-Position Connectors

19.1

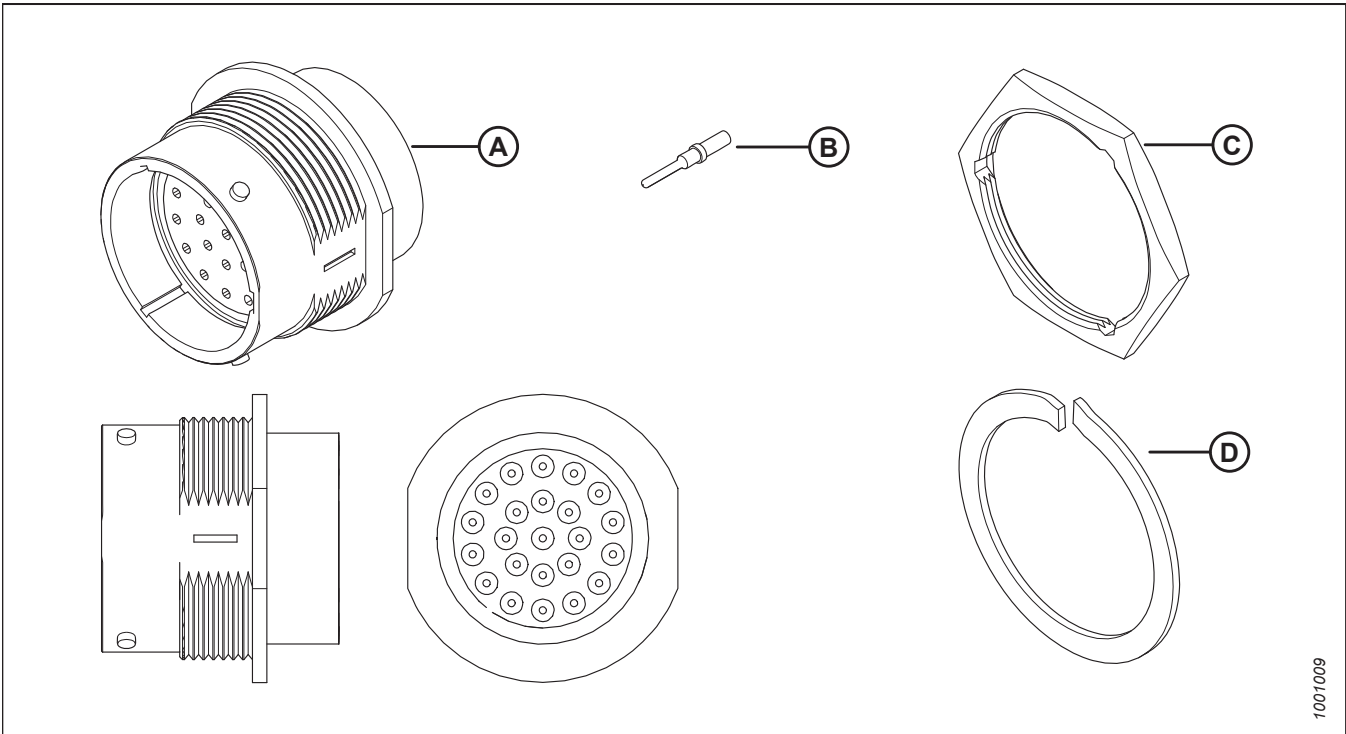


1001042

	MacDon Part #	Description	Manufacturer	Series	Manufacturer Part #
A	134008	Connector – Plug	Deutsch	HD	HD36-24-23SE
B	134026	Terminal – Socket	Deutsch	Size 16	0462-201-16141 (nickel), 0462-201-1631 (gold)
	134009	Mating Connector	HD34-24-23PN		
		Extraction Tool			
		Crimp Tool			

23-POSITION CONNECTORS

19.2

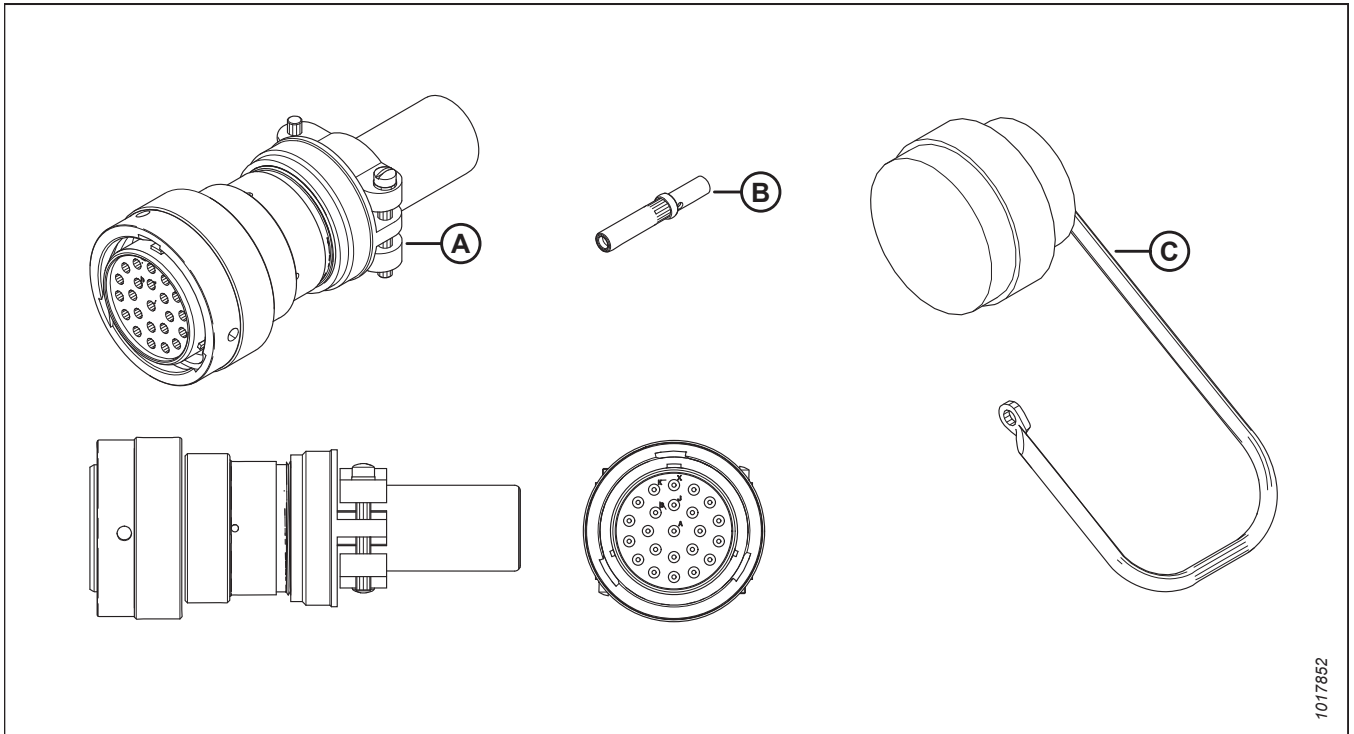


1001009

	MacDon Part #	Description	Manufacturer	Series	Manufacturer Part #
A	134009	Connector – Receptacle	Deutsch	HD30	HD34-24-23PN
B	134023	Terminal – Pin	Deutsch	Size 16	0460-202-16141 (nickel), 0460-202-1631 (gold)
C	134010	Nut	Deutsch	HD30	112263-90
D	134011	Washer – Lock	Deutsch	HD30	112264
	134008	Mating Connector	HD36-24-23SE		
		Extraction Tool			
	134015	Crimp Tool	HDT-48-00		

23-POSITION CONNECTORS

19.3

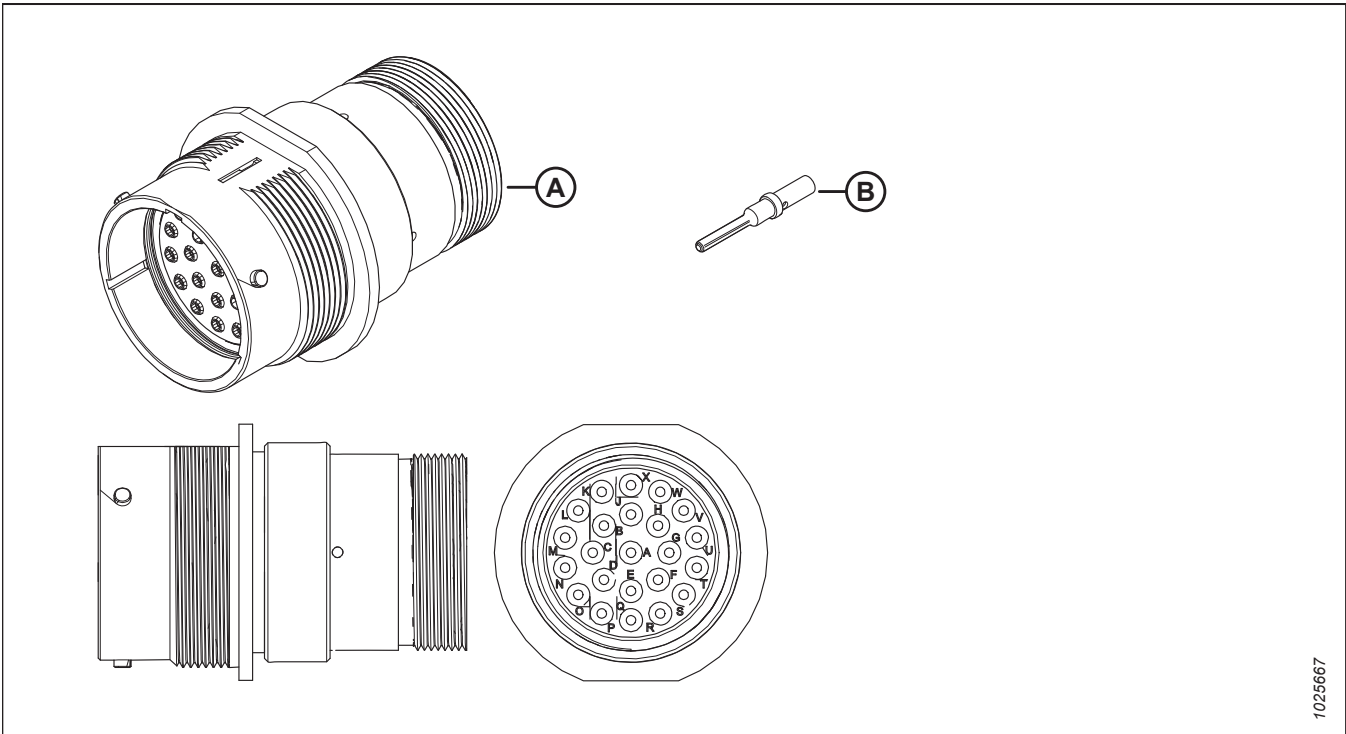


1017852

	MacDon Part #	Description	Manufacturer	Series	Manufacturer Part #
A	134766	Connector – Plug	Deutsch	HD30	HD36-24-23SN-059
B	134026	Terminal – Socket	Deutsch	Size 16	0462-201-16141 (nickel), 0462-201-1631 (gold)
C	135365	Cap – Wire Harness	Deutsch		HDC 34-24
		Mating Connector		HD34-24-23PN	
		Extraction Tool			
		Crimp Tool			

23-POSITION CONNECTORS

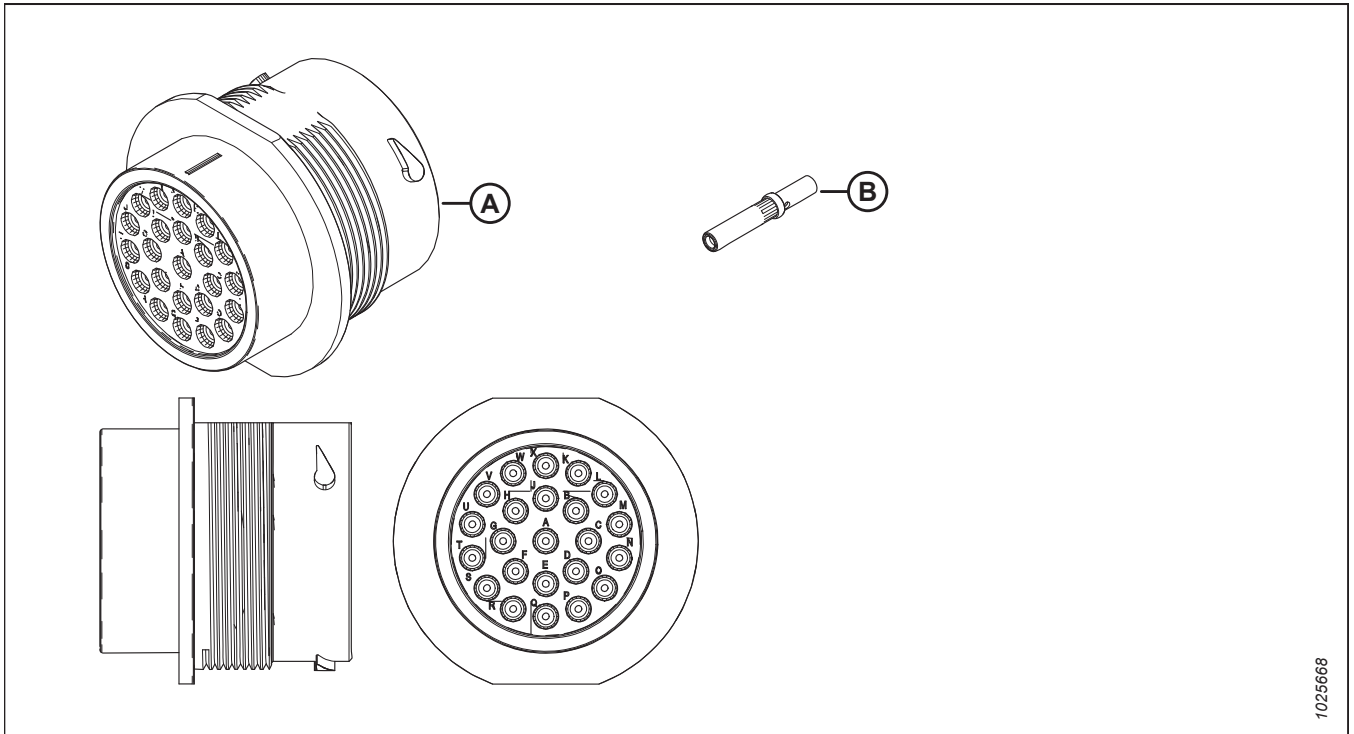
19.4



	MacDon Part #	Description	Manufacturer	Series	Manufacturer Part #
A		Connector – Receptacle	Deutsch	HD30	HD34-24-23PN-059
B	134023	Terminal – Pin	Deutsch	Size 16	0460-202-16141 (nickel), 0460-202-1631 (gold)
		Lock			
		Secondary Lock			
		Seal			
		Mating Connector			
		Extraction Tool			
		Crimp Tool			
		Cavity Plug			
		Boots/Caps			

23-POSITION CONNECTORS

19.5

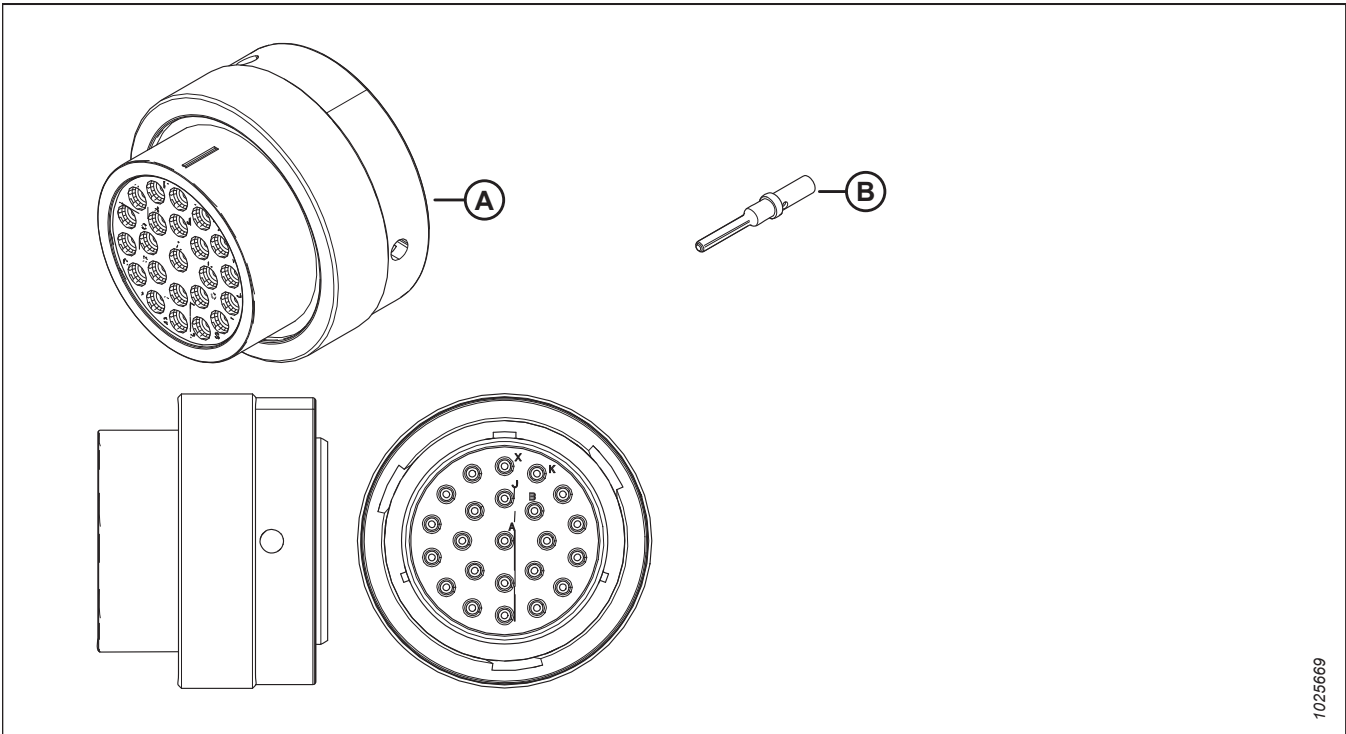


1025668

	MacDon Part #	Description	Manufacturer	Series	Manufacturer Part #
A		Connector – Receptacle	Deutsch	HDP20	HDP24-24-23SE
B	134026	Terminal – Socket	Deutsch	Size 16	0462-201-16141 (nickel), 0462-201-1631 (gold)
		Lock			
		Secondary Lock			
		Seal			
		Mating Connector		HDP26-24-23PE	
		Extraction Tool			
		Crimp Tool			
		Cavity Plug			
		Boots/Caps	HD30-24BT-BK, 2411-001-2405, 2414-001-2486, HDC26-24		

23-POSITION CONNECTORS

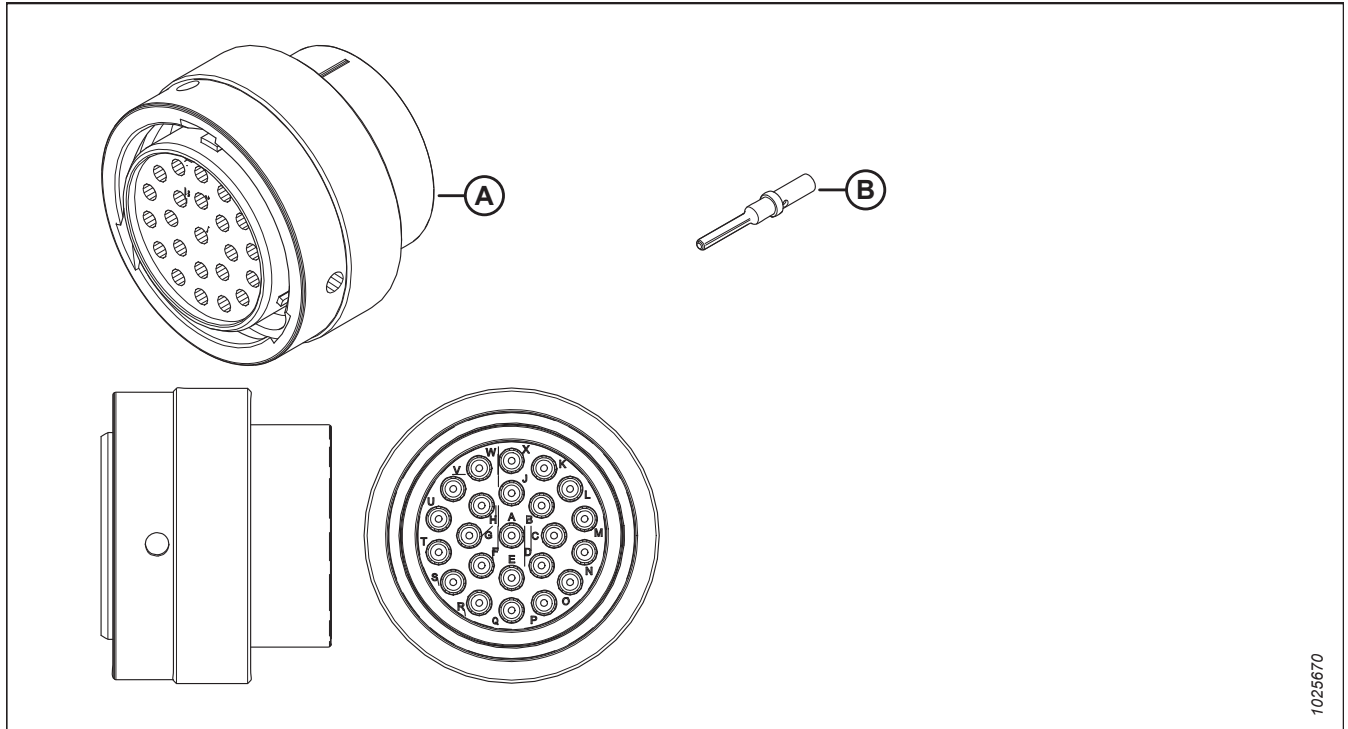
19.6



	MacDon Part #	Description	Manufacturer	Series	Manufacturer Part #
A		Connector – Plug	Deutsch	HDP20	HDP26-24-23PE
B	134023	Terminal – Pin	Deutsch	Size 16	0460-202-16141 (nickel), 0460-202-1631 (gold)
		Lock			
		Secondary Lock			
		Seal			
		Mating Connector		HDP24-24-23SE	
		Extraction Tool		0411-336-1605	
		Crimp Tool			
		Cavity Plug		114017	
		Boots/Caps		HD30-24BT-90-BK, HD30-24BT-BK	

19.7

Figure 19.1:

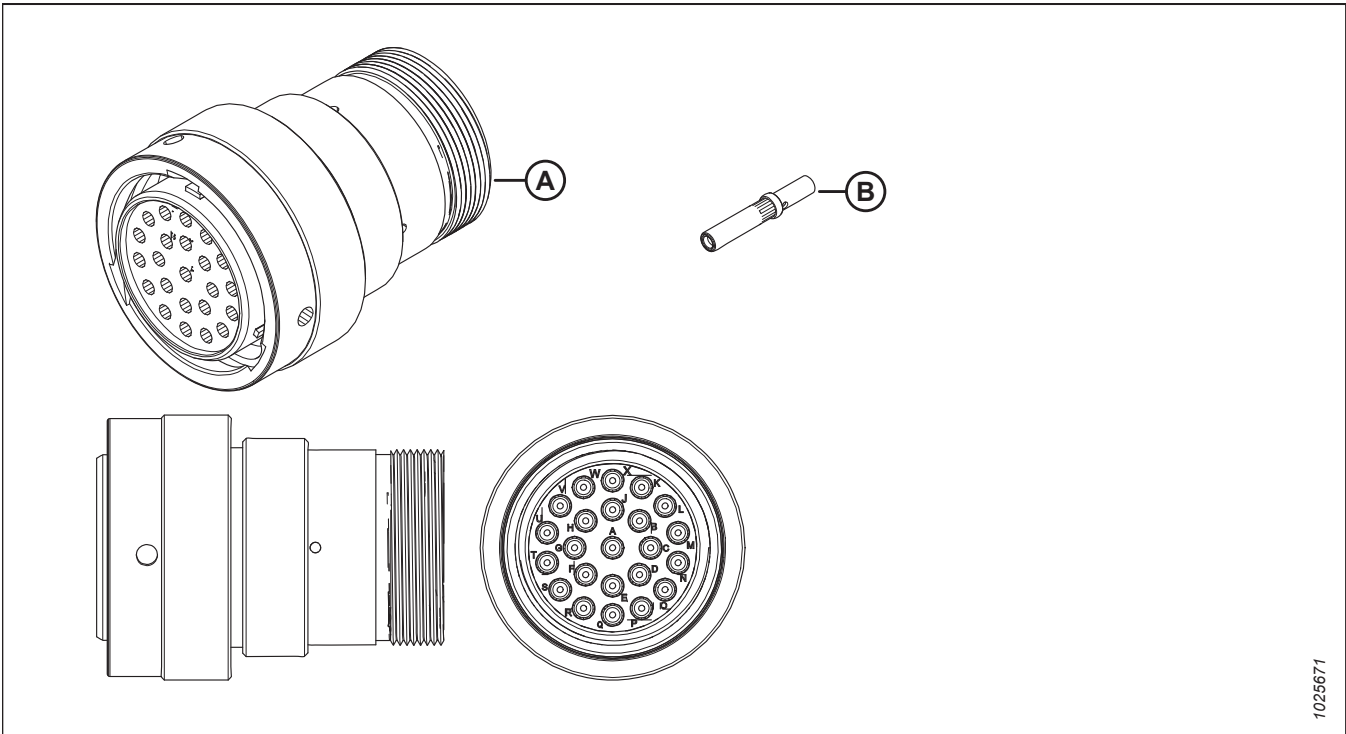


1025670

	MacDon Part #	Description	Manufacturer	Series	Manufacturer Part #
A		Connector – Plug	Deutsch	HDP20	HDP26-24-23PE
B	134023	Terminal – Pin	Deutsch	Size 16	0460-202-16141 (nickel), 0460-202-1631 (gold)
		Lock			
		Secondary Lock			
		Seal			
		Mating Connector		HDP24-24-23SE	
		Extraction Tool		0411-336-1605	
		Crimp Tool			
		Cavity Plug		114017	
		Boots/Caps		HD30-24BT-90-BK, HD30-24BT-BK	

23-POSITION CONNECTORS

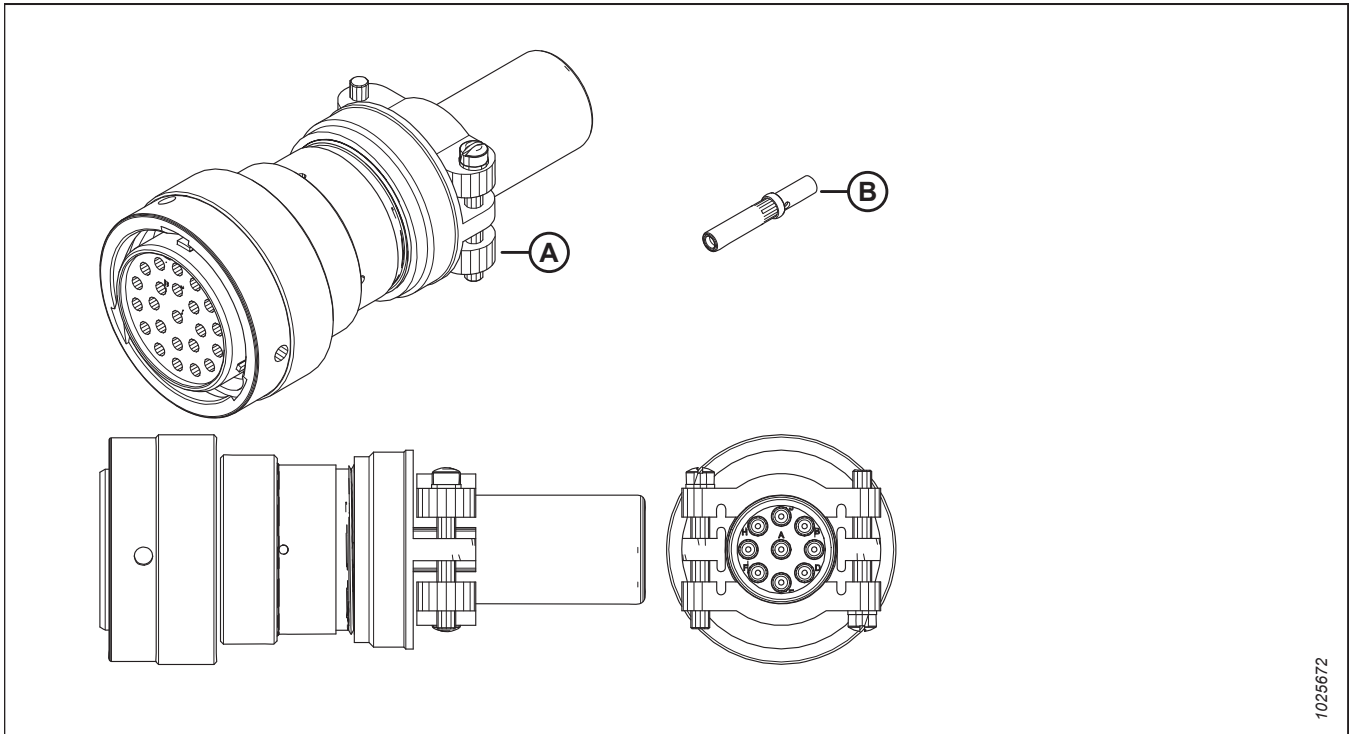
19.8



1025671

	MacDon Part #	Description	Manufacturer	Series	Manufacturer Part #
A		Connector – Plug	Deutsch	HD30	HD36-24-23SN-072
B	134026	Terminal – Socket	Deutsch	Size 16	0462-201-16141 (nickel), 0462-201-1631 (gold)
		Lock			
		Secondary Lock			
		Seal			
		Mating Connector			
		Extraction Tool			
		Crimp Tool			
		Cavity Plug			
		Boots/Caps			

19.9

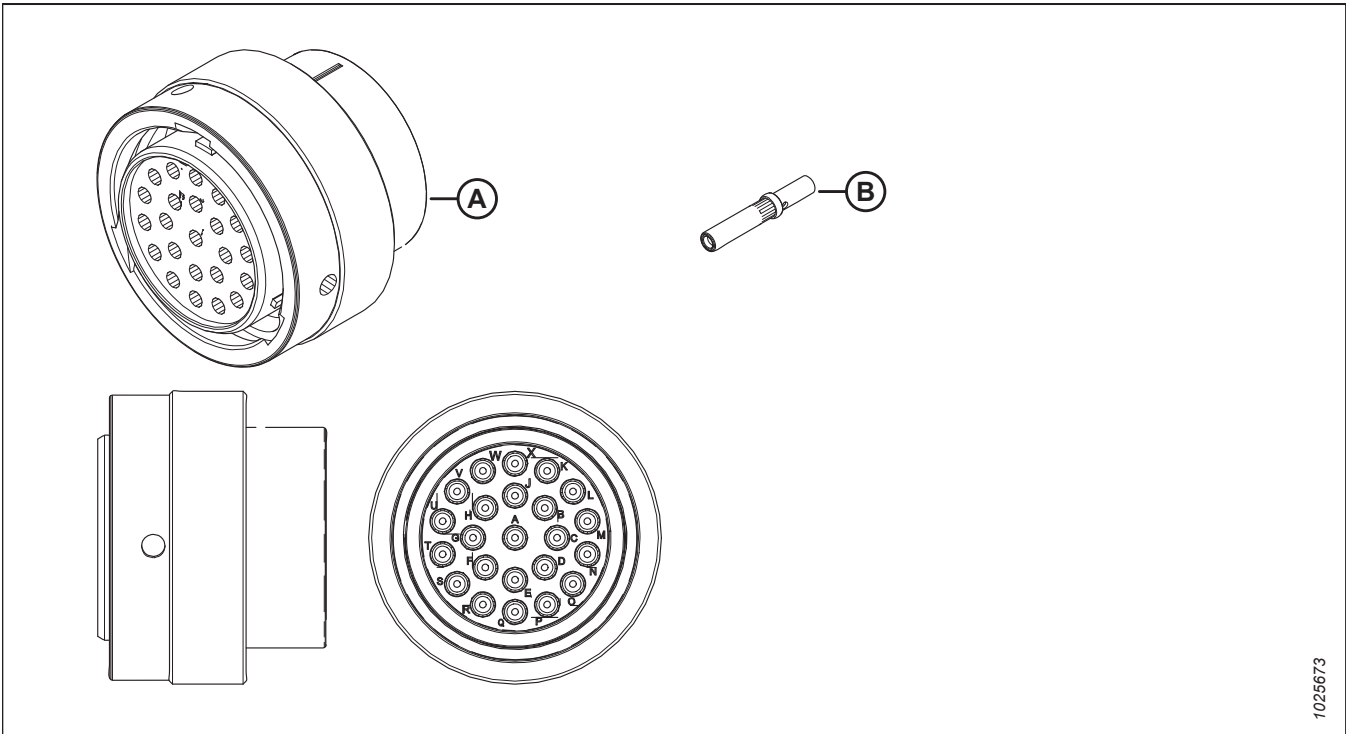


1025672

	MacDon Part #	Description	Manufacturer	Series	Manufacturer Part #
A		Connector – Plug	Deutsch	HD30	HD36-24-23SN-059
B	134026	Terminal – Socket	Deutsch	Size 16	0462-201-16141 (nickel), 0462-201-1631 (gold)
		Lock			
		Secondary Lock			
		Seal			
		Mating Connector			
		Extraction Tool			
		Crimp Tool			
		Cavity Plug			
		Boots/Caps			

23-POSITION CONNECTORS

19.10

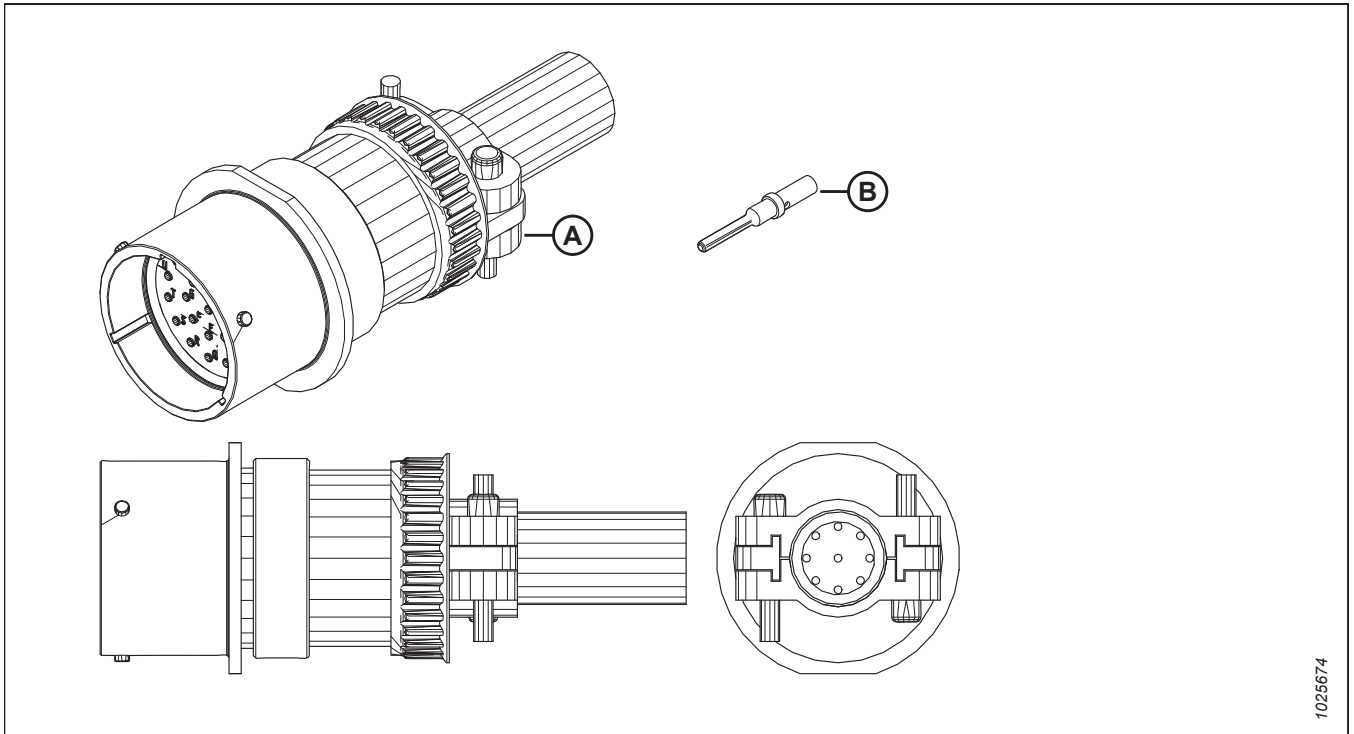


1025673

	MacDon Part #	Description	Manufacturer	Series	Manufacturer Part #
A		Connector – Plug	Deutsch	HD30	HD36-24-23SE-059
B	134026	Terminal – Socket	Deutsch	Size 16	0462-201-16141 (nickel), 0462-201-1631 (gold)
		Lock			
		Secondary Lock			
		Seal			
		Mating Connector			
		Extraction Tool			
		Crimp Tool			
		Cavity Plug			
		Boots/Caps			

23-POSITION CONNECTORS

19.11

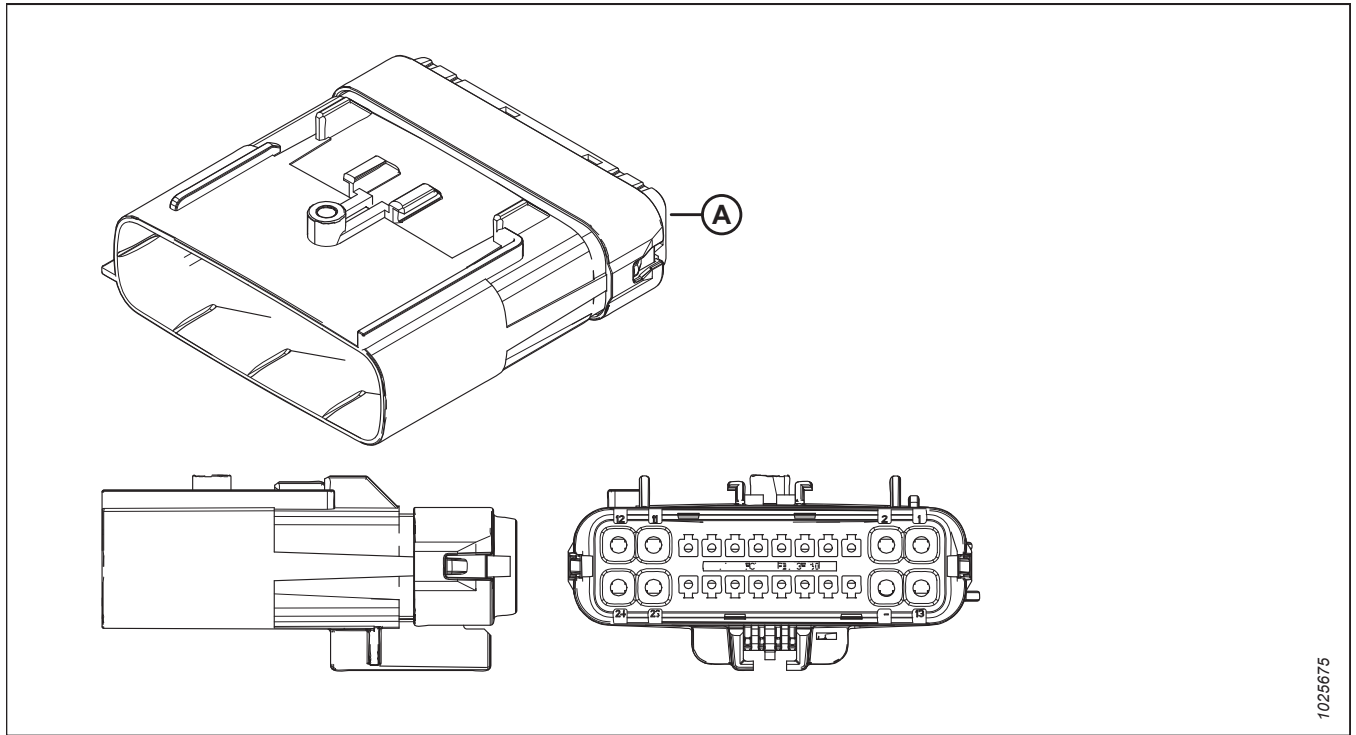


1025674

	MacDon Part #	Description	Manufacturer	Series	Manufacturer Part #
A		Connector – Receptacle	Deutsch	HD30	HD34-24-23PN-059
B	134023	Terminal – Pin	Deutsch	Size 16	0460-202-16141 (nickel), 0460-202-1631 (gold)
		Lock			
		Secondary Lock			
		Seal			
		Mating Connector			
		Extraction Tool			
		Crimp Tool			
		Cavity Plug			
		Boots/Caps			

Chapter 20: 24-Position Connectors

20.1

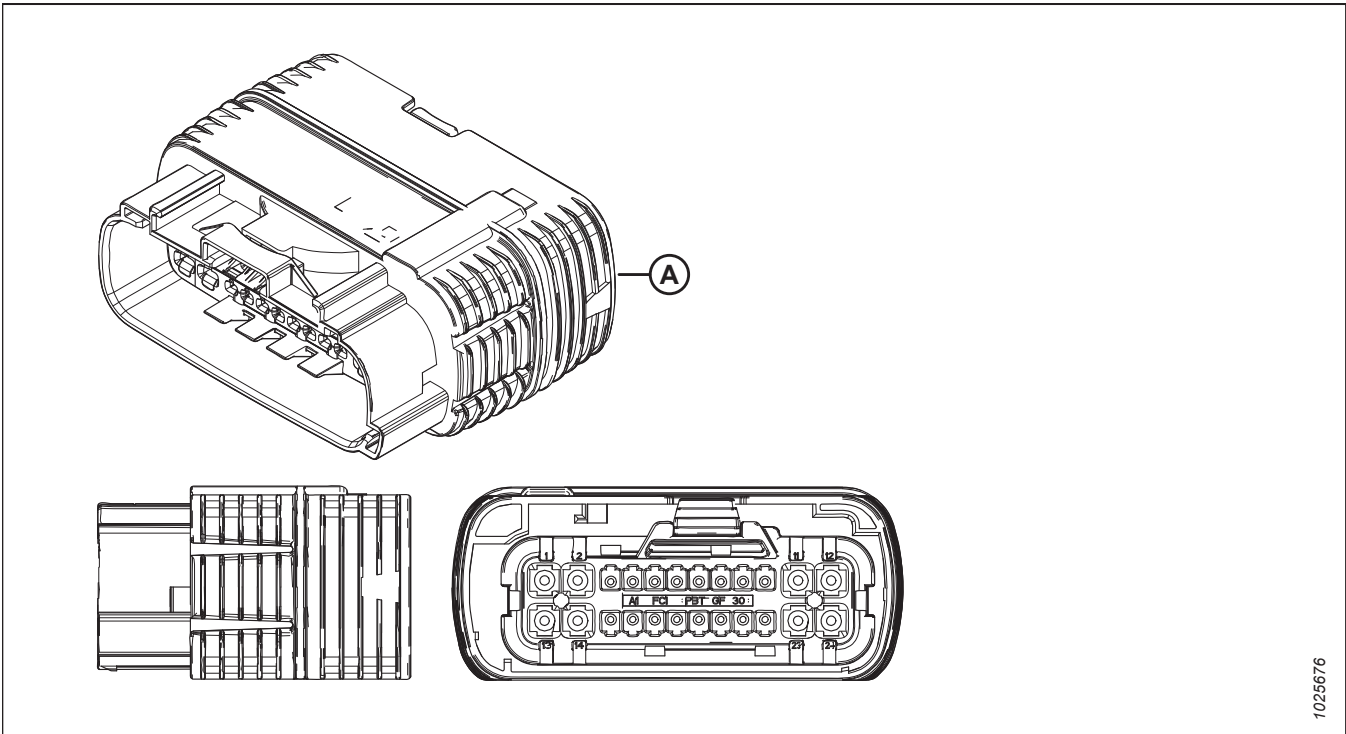


1025675

	MacDon Part #	Description	Manufacturer	Series	Manufacturer Part #
A		Connector – Receptacle	Delphi		F254000
		Terminal			
		Lock			
		Secondary Lock			
		Seal			
		Mating Connector			
		Extraction Tool			
		Crimp Tool			
		Cavity Plug			
		Boots/Caps			

24-POSITION CONNECTORS

20.2

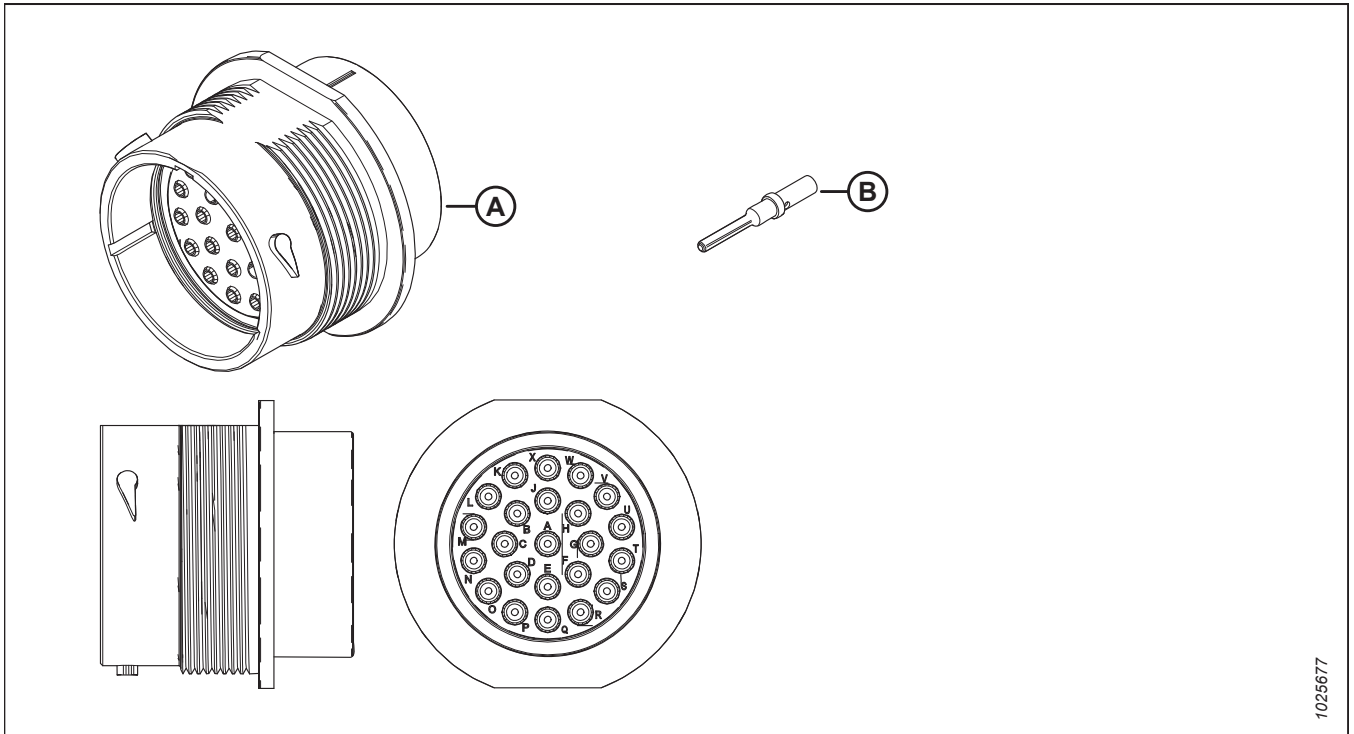


1025676

	MacDon Part #	Description	Manufacturer	Series	Manufacturer Part #
A		Connector – Plug	Delphi		F934000
		Terminal			
		Lock			
		Secondary Lock			
		Seal			
		Mating Connector			
		Extraction Tool			
		Crimp Tool			
		Cavity Plug			
		Boots/Caps			

24-POSITION CONNECTORS

20.3

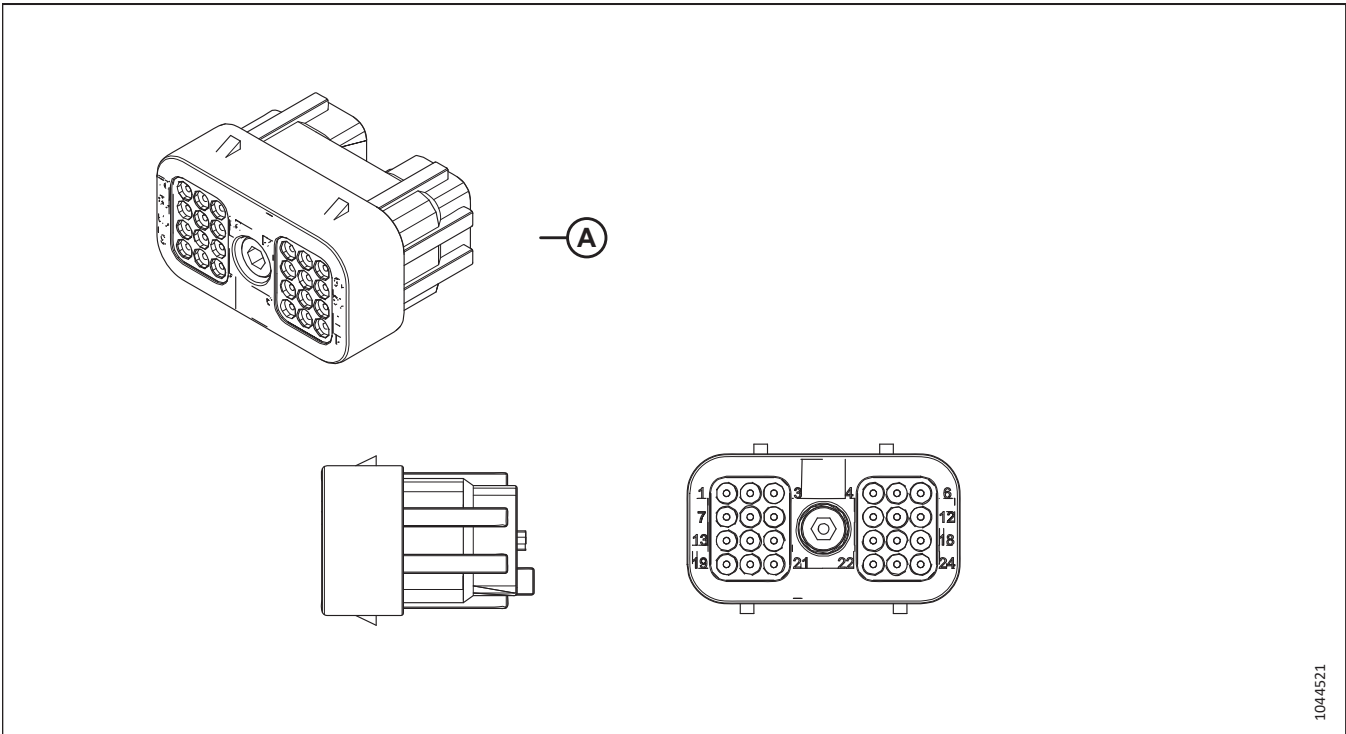


1025677

	MacDon Part #	Description	Manufacturer	Series	Manufacturer Part #
A		Connector – Receptacle	Deutsch	HDP20	HDP24-24-23PE
B	134023	Terminal – Pin	Deutsch	Size 16	0460-202-16141 (nickel), 0460-202-1631 (gold)
		Lock			
		Secondary Lock			
		Seal			
		Mating Connector		HDP26-24-23SE	
		Extraction Tool			
		Crimp Tool			
		Cavity Plug			
		Boots/Caps	HD30-24BT-BK, 2411-001-2405, 2414-001-2486, HDC26-24		

24-POSITION CONNECTORS

20.4

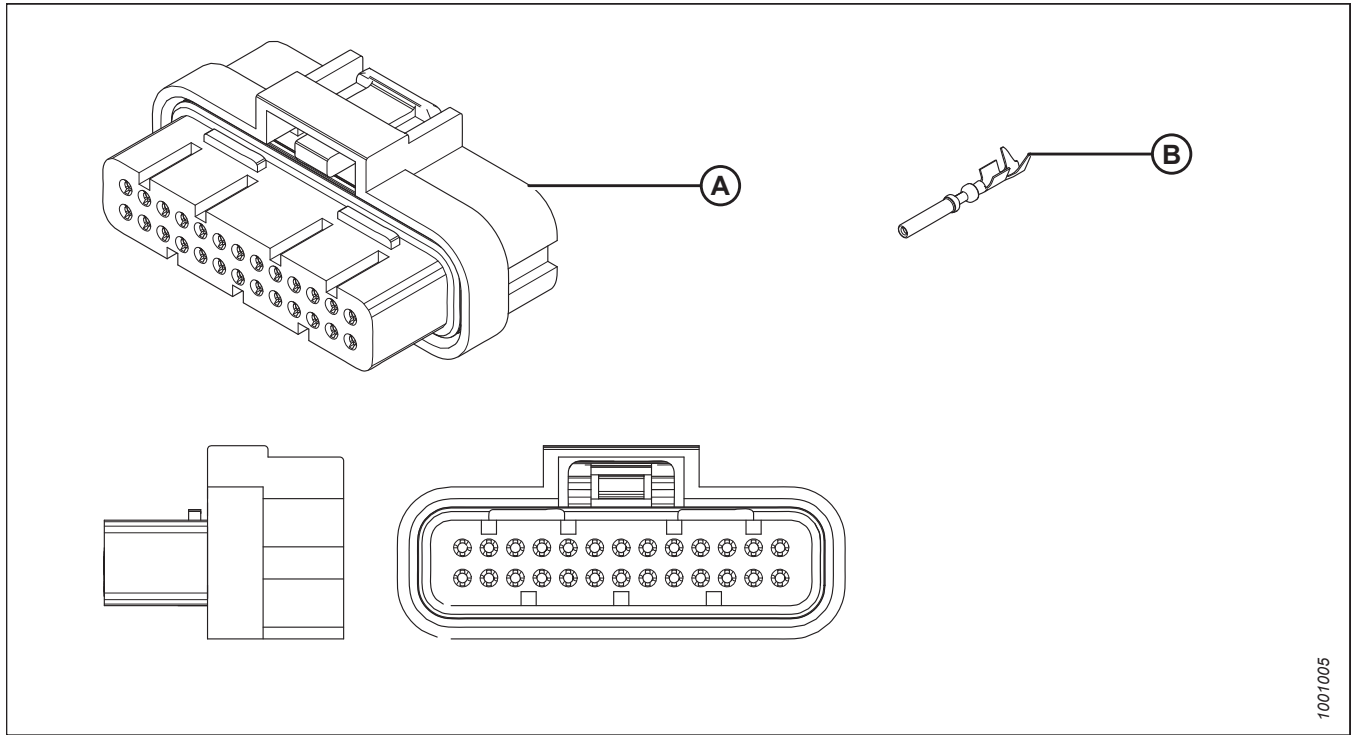


1044521

	MacDon Part #	Description	Manufacturer	Series	Manufacturer Part #
A	134920	Connector – Plug	Deutsch	Deutsch Rectangular Conn.	DRC26-4SA
		Terminal			
		Lock			
		Secondary Lock			
		Seal			
		Mating Connector			
		Extraction Tool			
		Crimp Tool			
		Cavity Plug			
		Boots/Caps			

Chapter 21: 26-Position Connectors

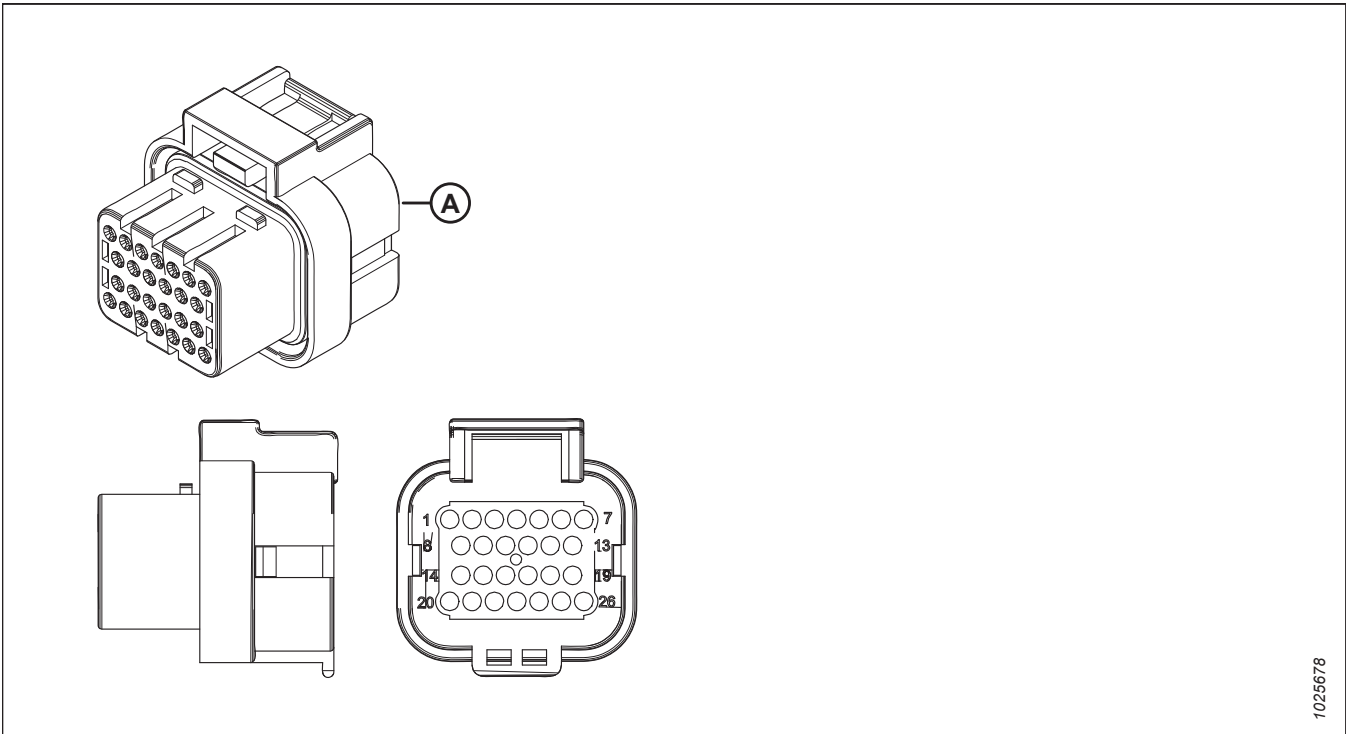
21.1



1001005

	MacDon Part #	Description	Manufacturer	Series	Manufacturer Part #
A		Connector – Plug	Amp	SS	1473712-1
B	134089	Terminal – Socket	Amp	SS	3-1447221-3
		Mating Connector	Device CDM/WCM		
		Extraction Tool	Not Required		
		Crimp Tool			

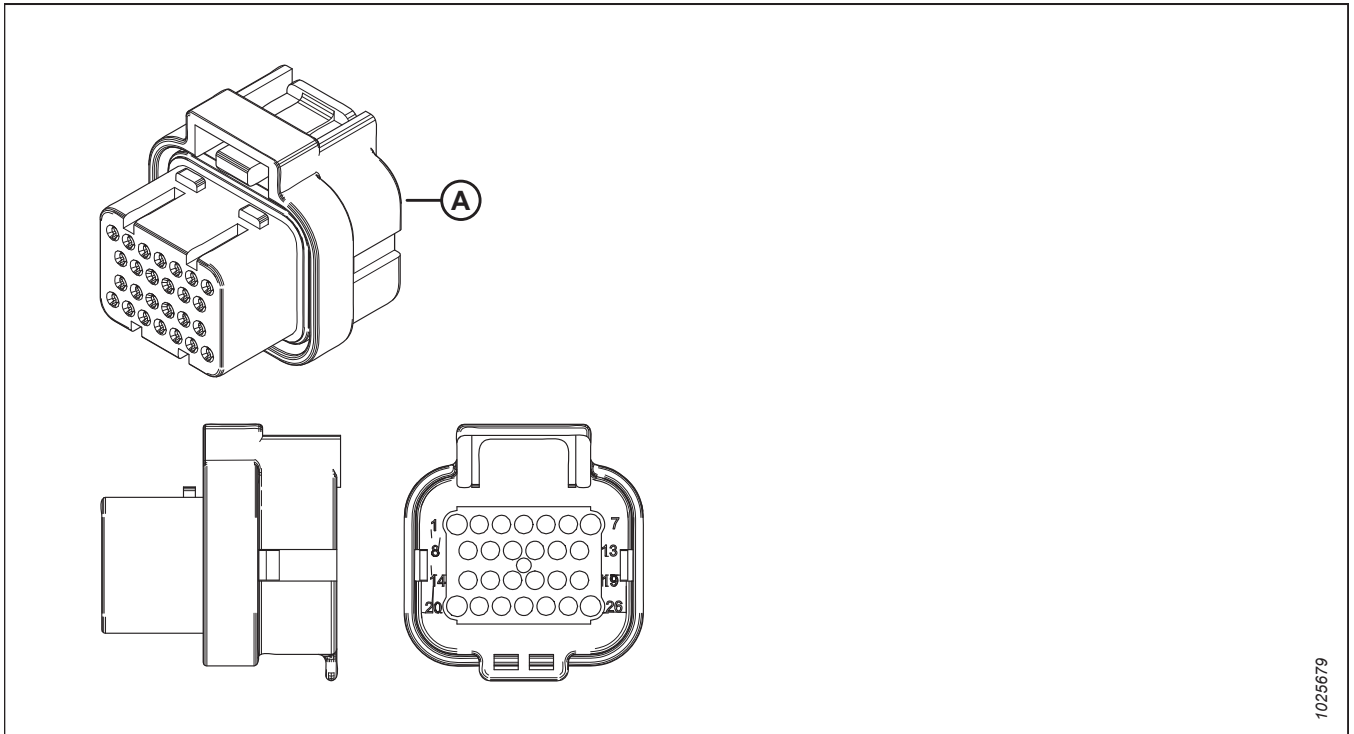
21.2



1025678

	MacDon Part #	Description	Manufacturer	Series	Manufacturer Part #
A		Connector – Plug	Tyco		1473416-1
		Terminal			
		Lock			
		Secondary Lock			
		Seal			
		Mating Connector			
		Extraction Tool			
		Crimp Tool			
		Cavity Plug			
		Boots/Caps			

21.3

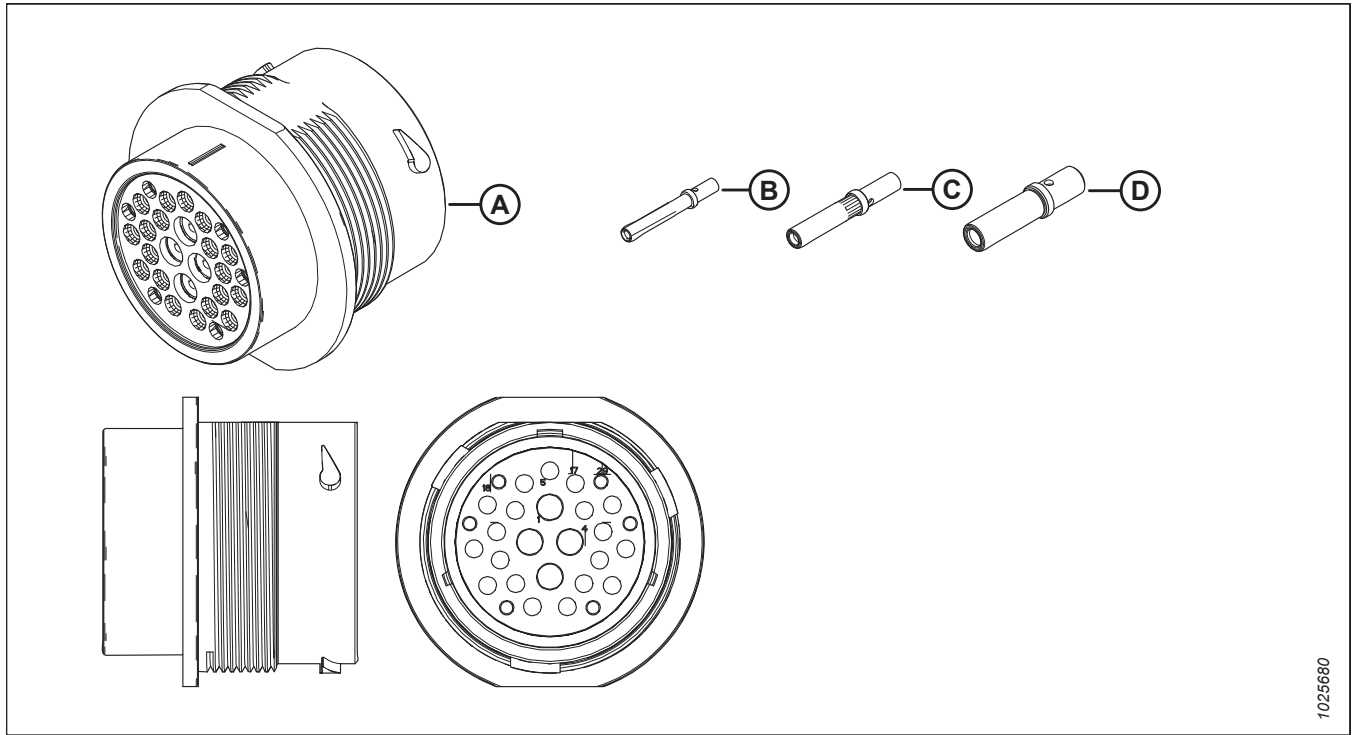


1025679

	MacDon Part #	Description	Manufacturer	Series	Manufacturer Part #
A		Connector – Plug	Tyco	1.0	3-1437290-8
		Terminal			
		Lock			
		Secondary Lock			
		Seal			
		Mating Connector			
		Extraction Tool			
		Crimp Tool			
		Cavity Plug			
		Boots/Caps			

Chapter 22: 29-Position Connectors

22.1

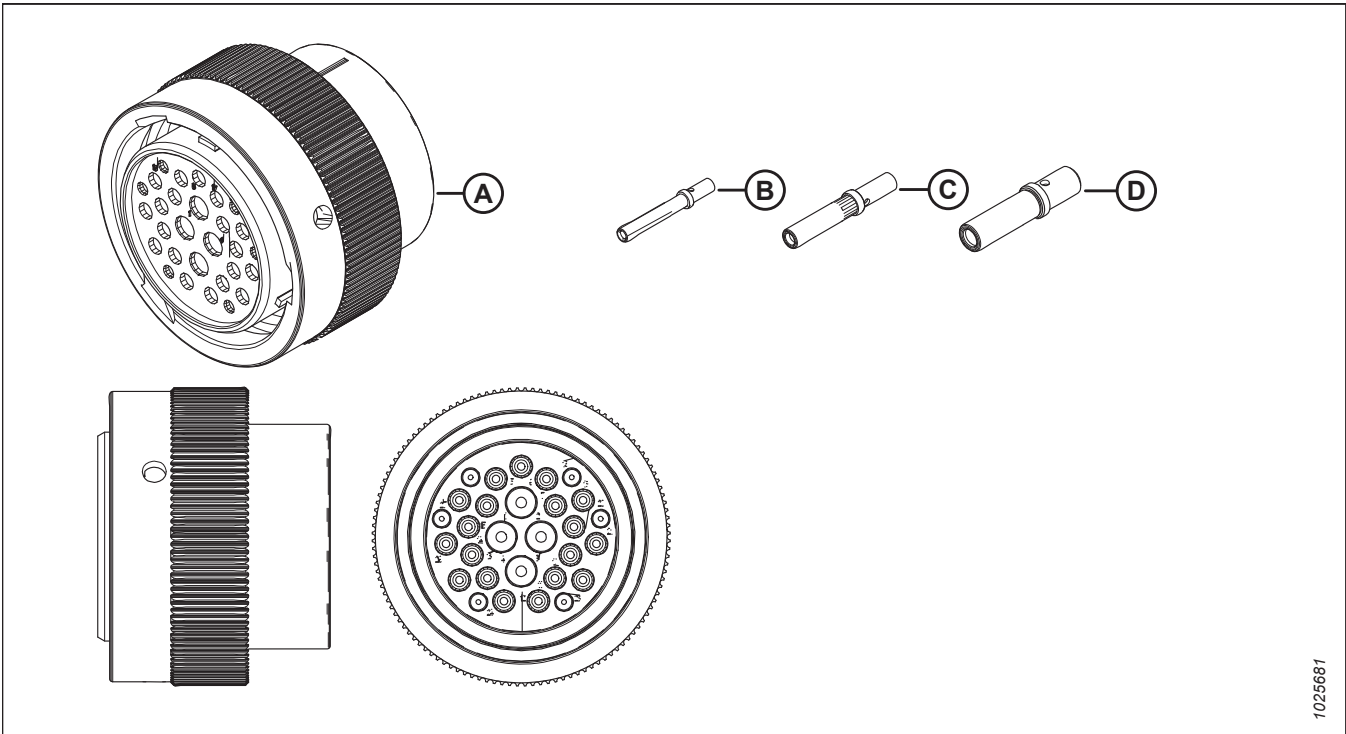


1025680

	MacDon Part #	Description	Manufacturer	Series	Manufacturer Part #
A		Connector – Receptacle	Deutsch	HDP20	HDP24-24-29SE
B	134017	Terminal – Socket		Size 20	0462-201-20141 (nickel), 0462-201-2031 (gold)
C	134026	Terminal – Socket		Size 16	0462-201-16141 (nickel), 0462-201-1631 (gold)
D	134027	Terminal – Socket		Size 12	0462-203-12141 (nickel), 0462-210-1231 (gold)
		Mating Connector		HDP26-24-29PE	
		Boots/Caps	2411-001-2405, 2414-001-2486, HD30-24BT-BK, HDC26-24		

29-POSITION CONNECTORS

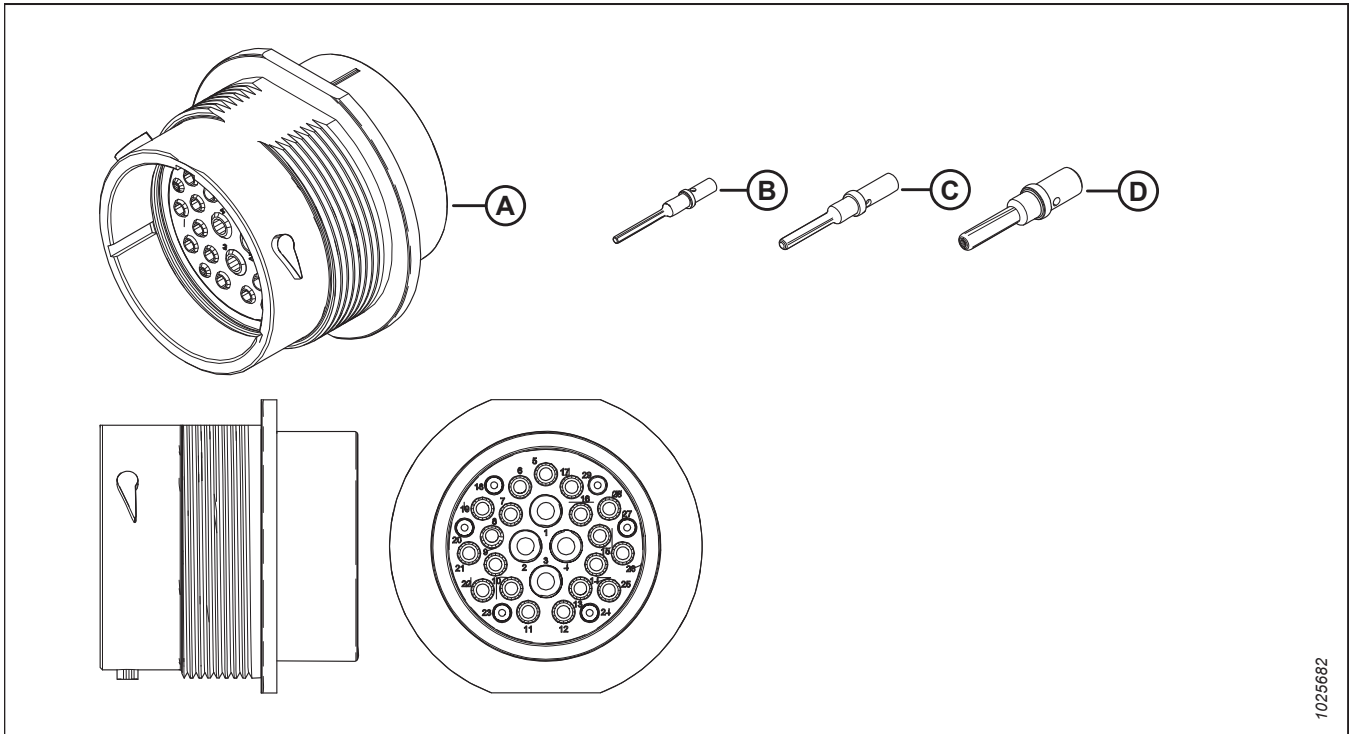
22.2



	MacDon Part #	Description	Manufacturer	Series	Manufacturer Part #
A		Connector – Plug	Deutsch	HDP20	HDP26-24-29SE
B	134017	Terminal – Socket		Size 20	0462-201-20141 (nickel), 0462-201-2031 (gold)
C	134026	Terminal – Socket		Size 16	0462-201-16141 (nickel), 0462-201-1631 (gold)
D	134027	Terminal – Socket		Size 12	0462-203-12141 (nickel), 0462-210-1231 (gold)
		Mating Connector	HDP24-24-29PE		
		Boots/Caps	2411-001-2405, 2414-001-2486, HD30-24BT-BK, HDC26-24		

29-POSITION CONNECTORS

22.3

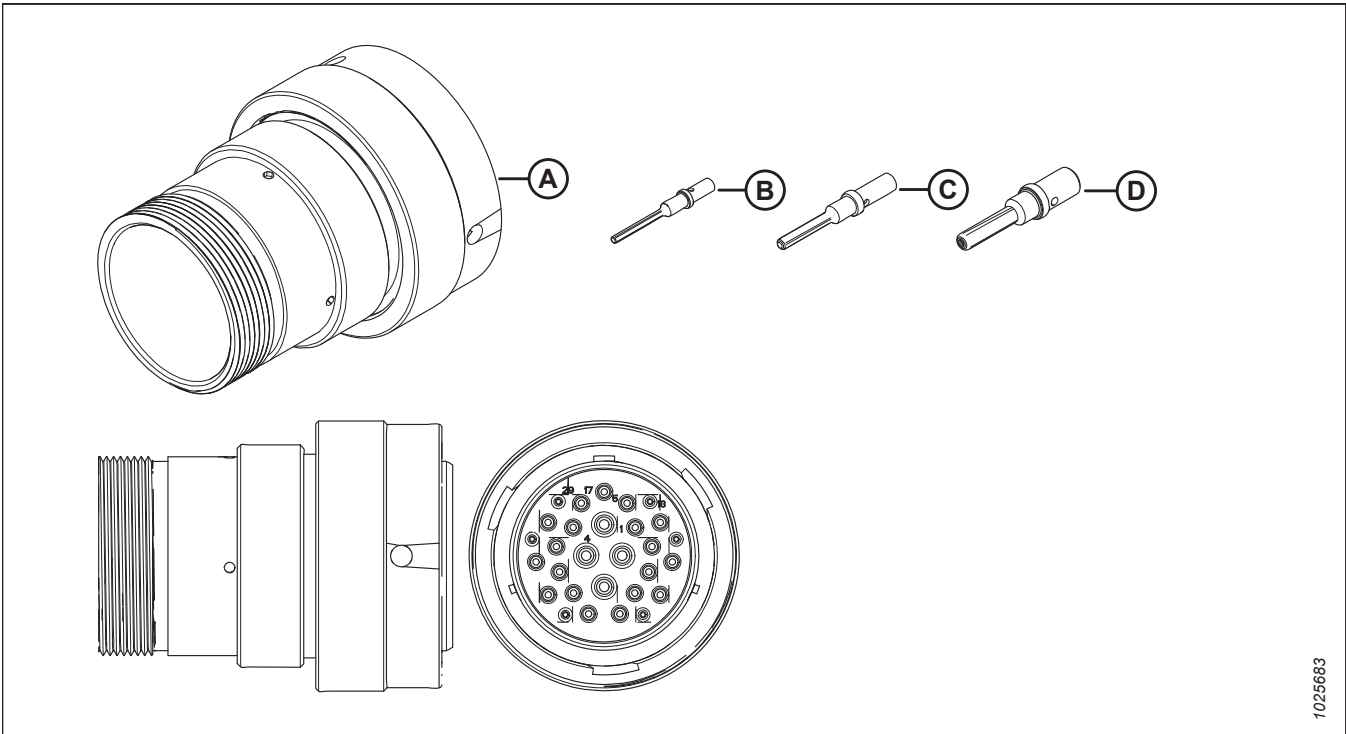


1025662

	MacDon Part #	Description	Manufacturer	Series	Manufacturer Part #
A		Connector – Receptacle	Deutsch	HDP20	HDP24-24-29PE
B	134016	Terminal – Pin		Size 20	0460-202-20141 (nickel), 0460-202-2031 (gold)
C	134023	Terminal – Pin		Size 16	0460-202-16141 (nickel), 0460-202-1631 (gold)
D	134024	Terminal – Pin		Size 12	0460-204-12141 (nickel), 0460-220-1231 (gold)
		Mating Connector	HDP26-24-29SE		
		Boots/Caps	HD30-24BT-BK, 2411-001-2405, 2414-001-2486, HDC26-24		

29-POSITION CONNECTORS

22.4

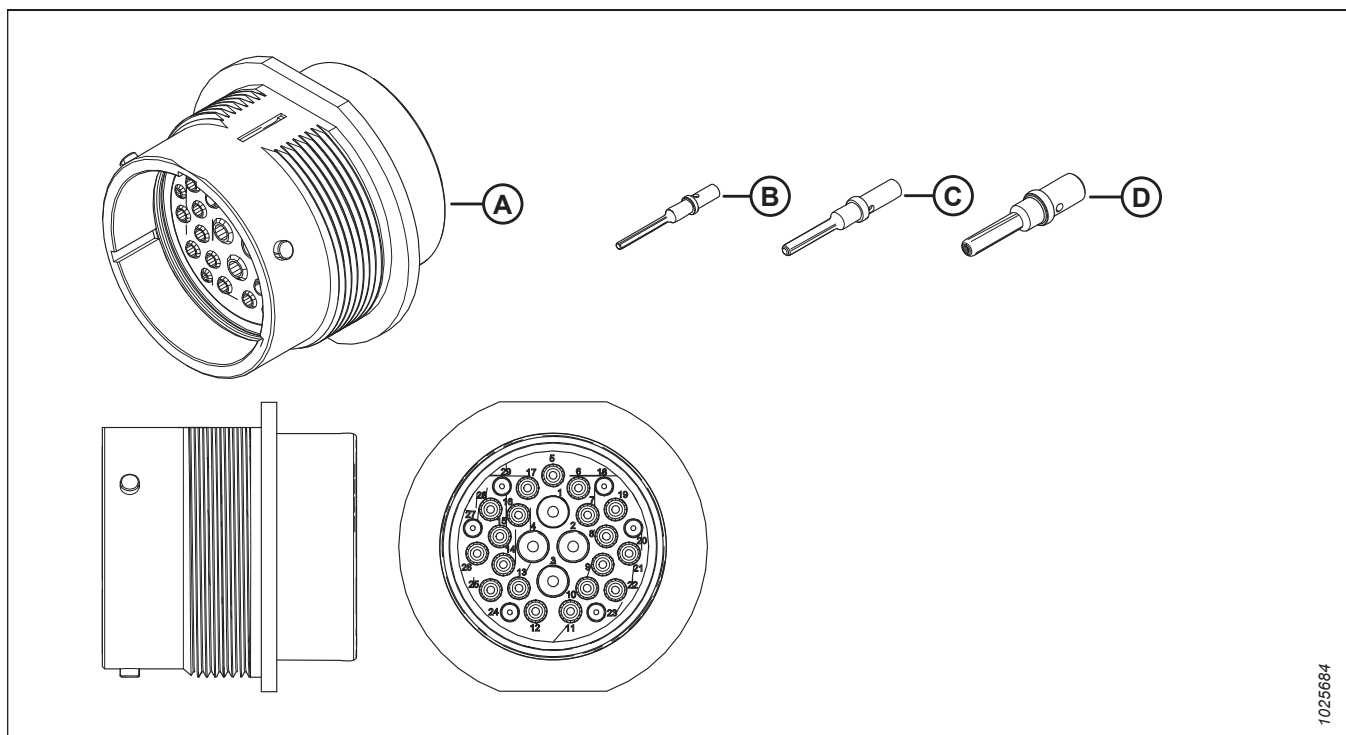


1025683

	MacDon Part #	Description	Manufacturer	Series	Manufacturer Part #
A		Connector – Plug	Deutsch	HD30	HD36-24-29PE-072
B	134016	Terminal – Pin		Size 20	0460-202-20141 (nickel), 0460-202-2031 (gold)
C	134023	Terminal – Pin		Size 16	0460-202-16141 (nickel), 0460-202-1631 (gold)
D	134024	Terminal – Pin		Size 12	0460-204-12141 (nickel), 0460-220-1231 (gold)
		Lock			
		Secondary Lock			
		Seal			
		Mating Connector			

29-POSITION CONNECTORS

22.5

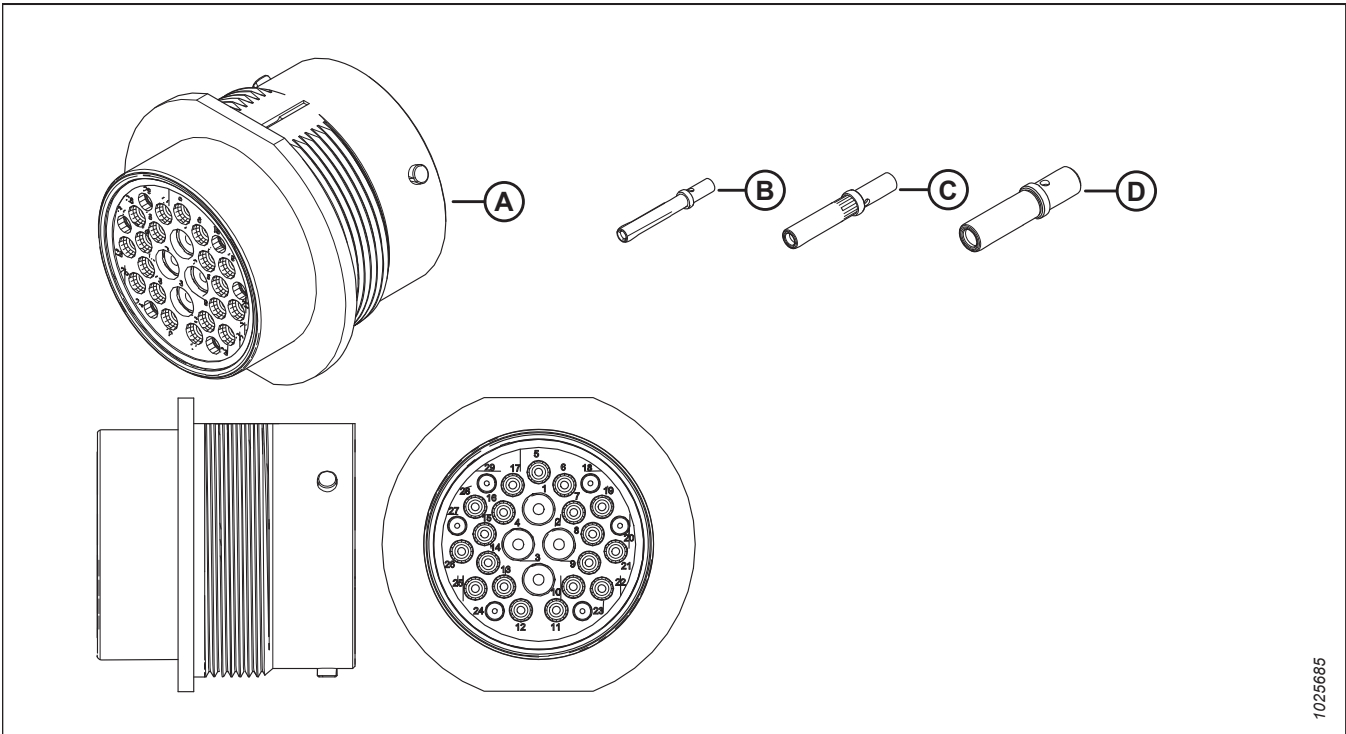


1025684

	MacDon Part #	Description	Manufacturer	Series	Manufacturer Part #
A		Connector – Receptacle	Deutsch	HD30	HD34-24-29PE
B	134016	Terminal – Pin		Size 20	0460-202-20141 (nickel), 0460-202-2031 (gold)
C	134023	Terminal – Pin		Size 16	0460-202-16141 (nickel), 0460-202-1631 (gold)
D	134024	Terminal – Pin		Size 12	0460-204-12141 (nickel), 0460-220-1231 (gold)
		Lock			
		Secondary Lock			
		Seal			
		Mating Connector			

29-POSITION CONNECTORS

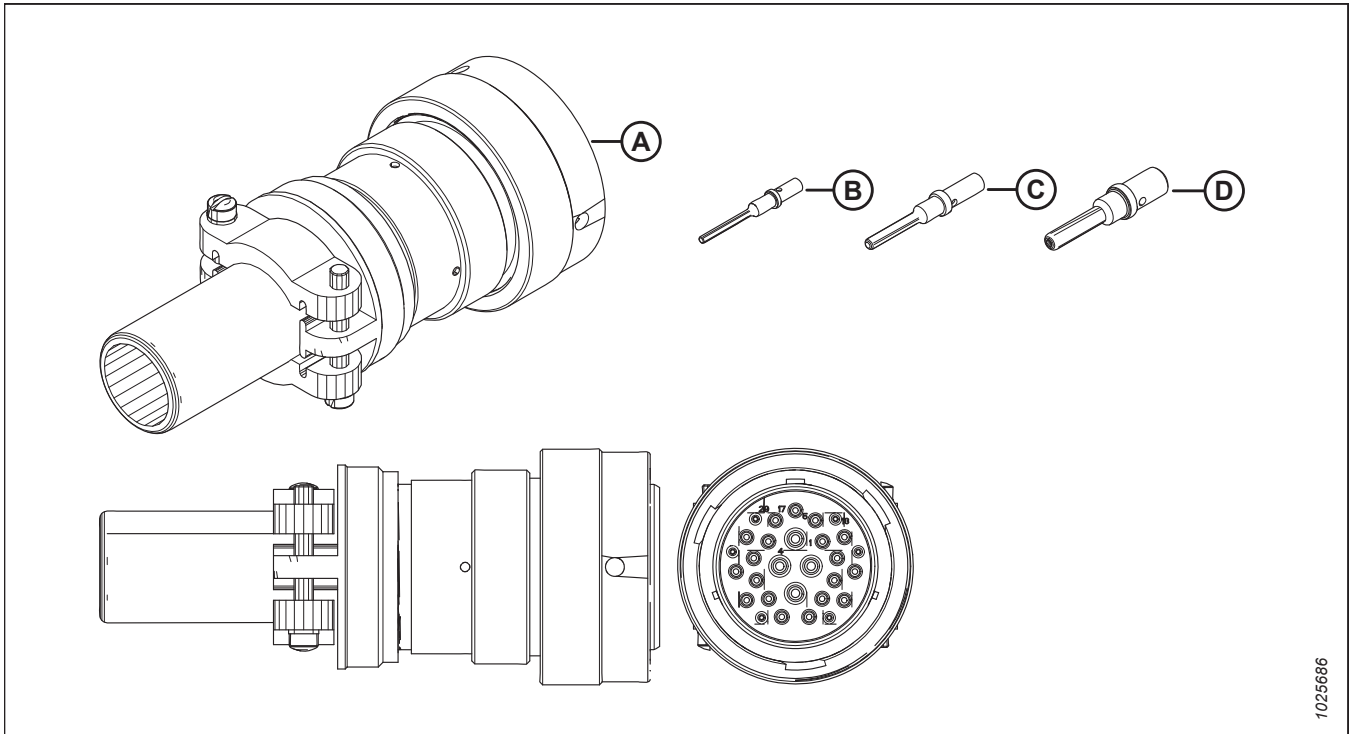
22.6



	MacDon Part #	Description	Manufacturer	Series	Manufacturer Part #
A		Connector – Receptacle	Deutsch	HD30	HD34-24-29SE
B	134017	Terminal – Socket		Size 20	0462-201-20141 (nickel), 0462-201-2031 (gold)
C	134026	Terminal – Socket		Size 16	0462-201-16141 (nickel), 0462-201-1631 (gold)
D	134027	Terminal – Socket		Size 12	0462-203-12141 (nickel), 0462-210-1231 (gold)
		Lock			
		Secondary Lock			
		Seal			
		Mating Connector			

29-POSITION CONNECTORS

22.7

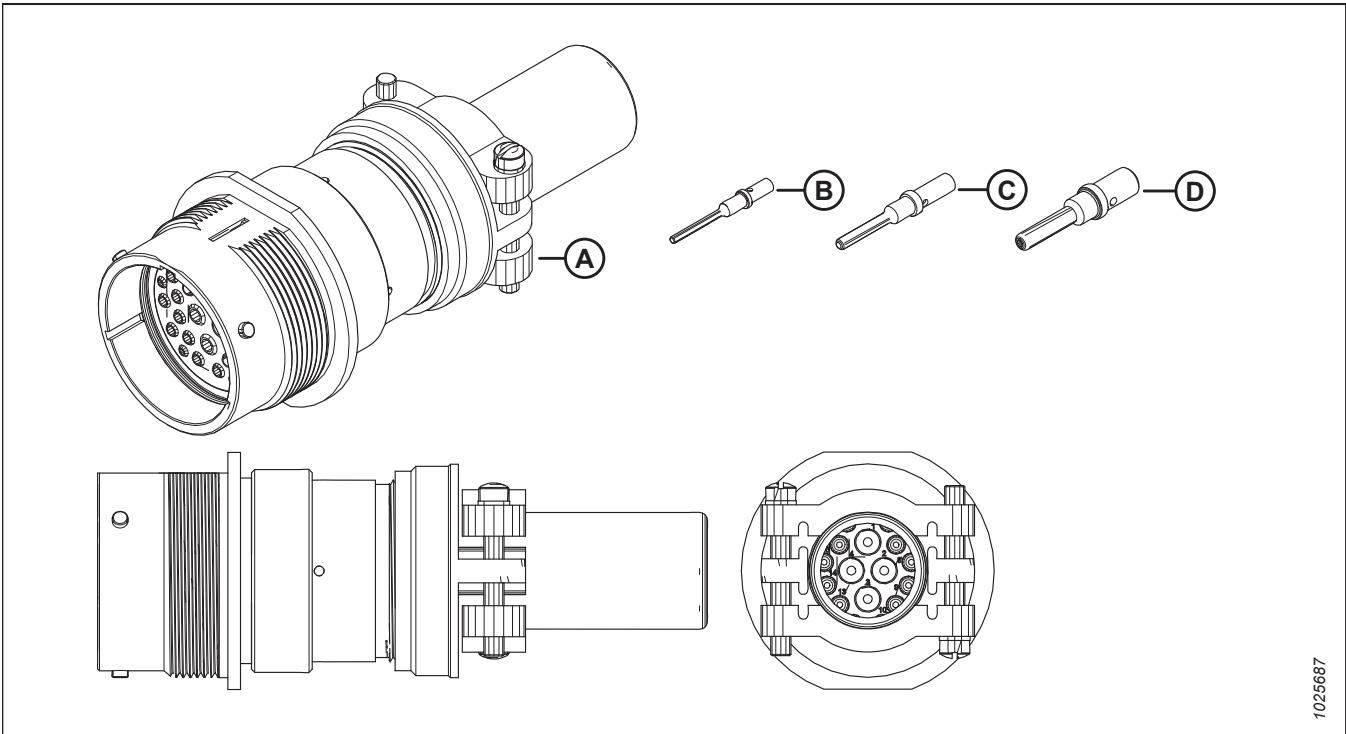


1025686

	MacDon Part #	Description	Manufacturer	Series	Manufacturer Part #
A		Connector – Plug	Deutsch	HD30	HD36-24-29PE-059
B	134016	Terminal – Pin		Size 20	0460-202-20141 (nickel), 0460-202-2031 (gold)
C	134023	Terminal – Pin		Size 16	0460-202-16141 (nickel), 0460-202-1631 (gold)
D	134024	Terminal – Pin		Size 12	0460-204-12141 (nickel), 0460-220-1231 (gold)
		Lock			
		Secondary Lock			
		Seal			
		Mating Connector			

29-POSITION CONNECTORS

22.8

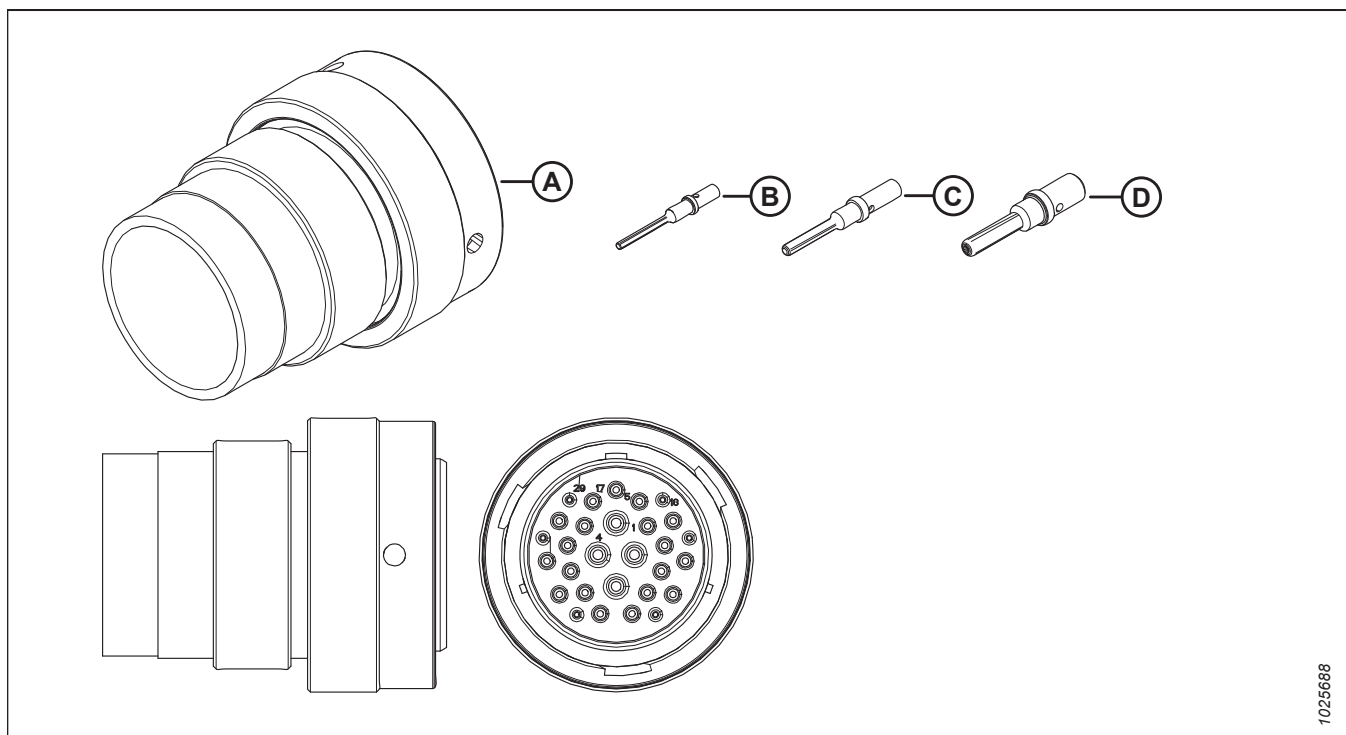


1025687

	MacDon Part #	Description	Manufacturer	Series	Manufacturer Part #
A		Connector – Receptacle	Deutsch	HD30	HD34-24-29PE-059
B	134016	Terminal – Pin		Size 20	0460-202-20141 (nickel), 0460-202-2031 (gold)
C	134023	Terminal – Pin		Size 16	0460-202-16141 (nickel), 0460-202-1631 (gold)
D	134024	Terminal – Pin		Size 12	0460-204-12141 (nickel), 0460-220-1231 (gold)
		Lock			
		Secondary Lock			
		Seal			
		Mating Connector			

29-POSITION CONNECTORS

22.9

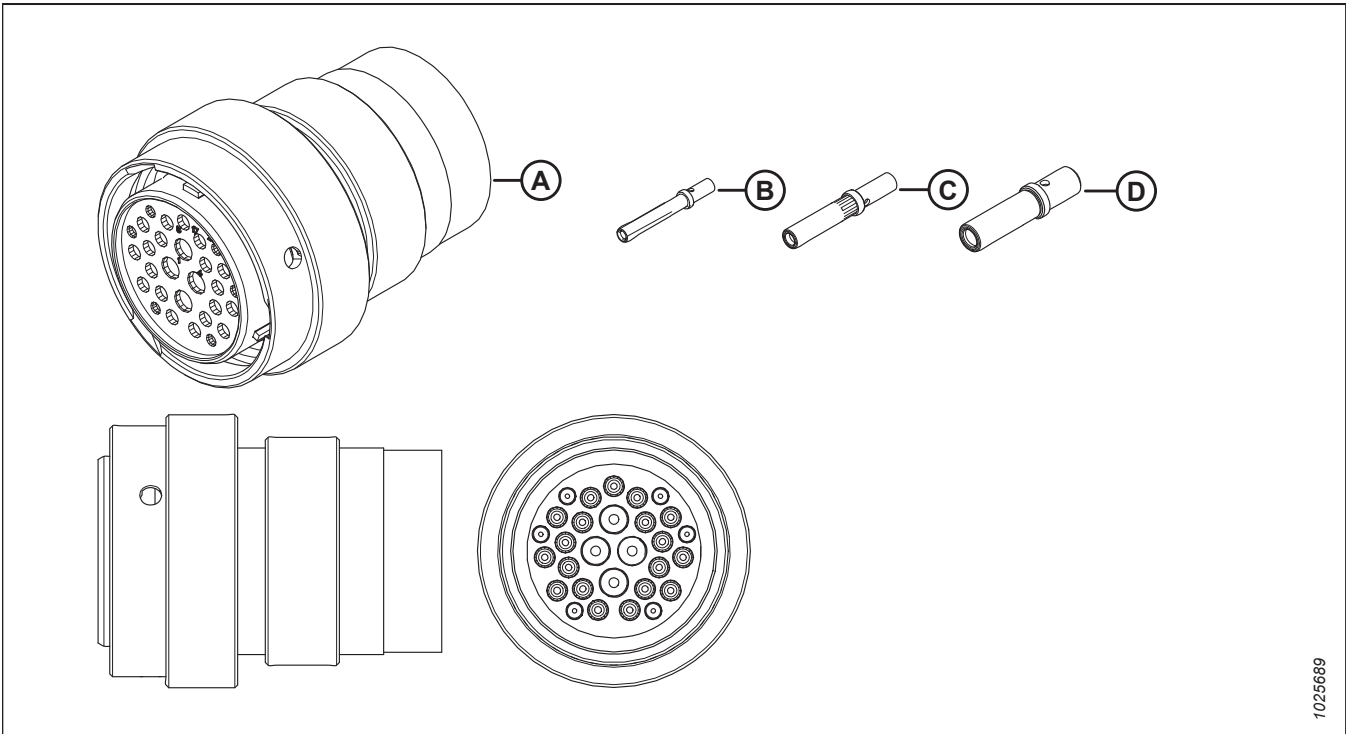


1025688

	MacDon Part #	Description	Manufacturer	Series	Manufacturer Part #
A		Connector	Deutsch	HDP20	HDP26-24-29PE-072
B	134016	Terminal – Pin		Size 20	0460-202-20141 (nickel), 0460-202-2031 (gold)
C	134023	Terminal – Pin		Size 16	0460-202-16141 (nickel), 0460-202-1631 (gold)
D	134024	Terminal – Pin		Size 12	0460-204-12141 (nickel), 0460-220-1231 (gold)
		Lock			
		Secondary Lock			
		Seal			
		Mating Connector			

29-POSITION CONNECTORS

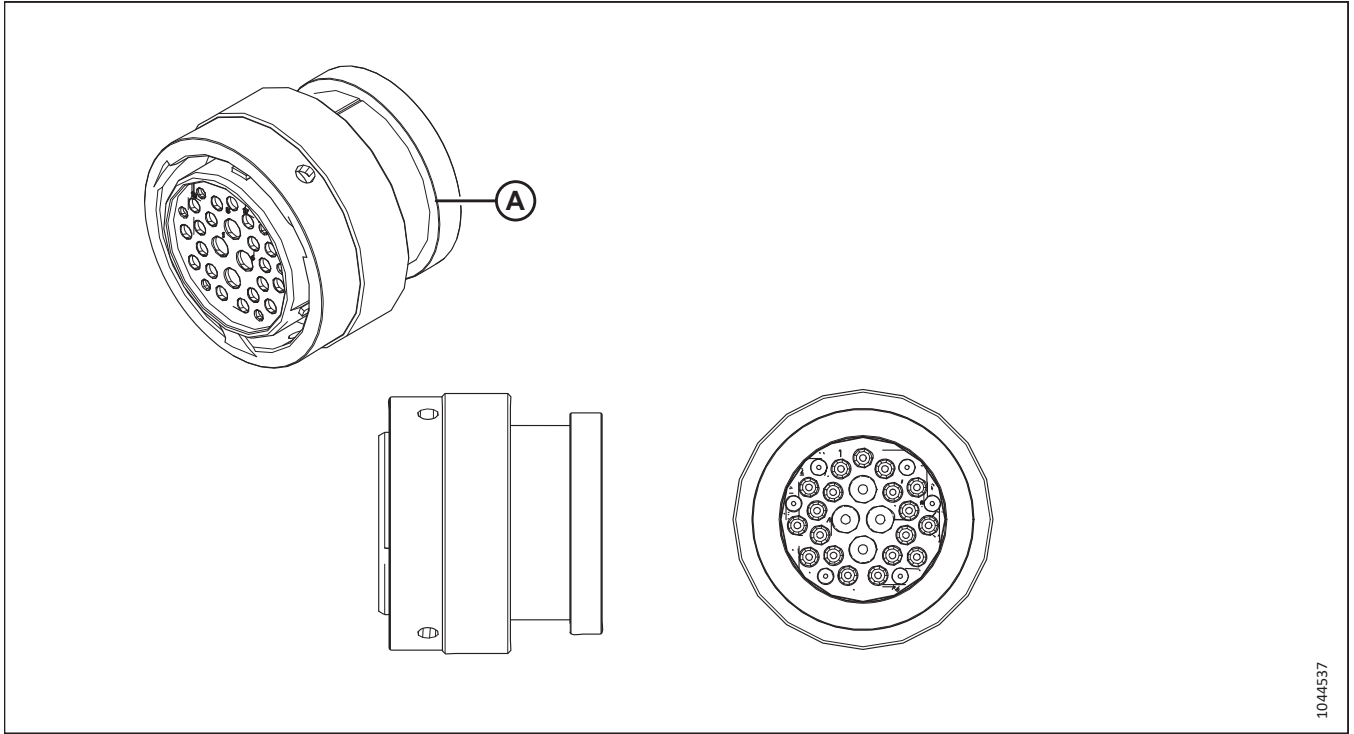
22.10



1025689

	MacDon Part #	Description	Manufacturer	Series	Manufacturer Part #
A		Connector	Deutsch	HDP30	HD36-24-29SE-072
B	134017	Terminal – Socket		Size 20	0462-201-20141 (nickel), 0462-201-2031 (gold)
C	134026	Terminal – Socket		Size 16	0462-201-16141 (nickel), 0462-201-1631 (gold)
D	134027	Terminal – Socket		Size 12	0462-203-12141 (nickel), 0462-210-1231 (gold)
		Lock			
		Secondary Lock			
		Seal			
		Mating Connector			

22.11

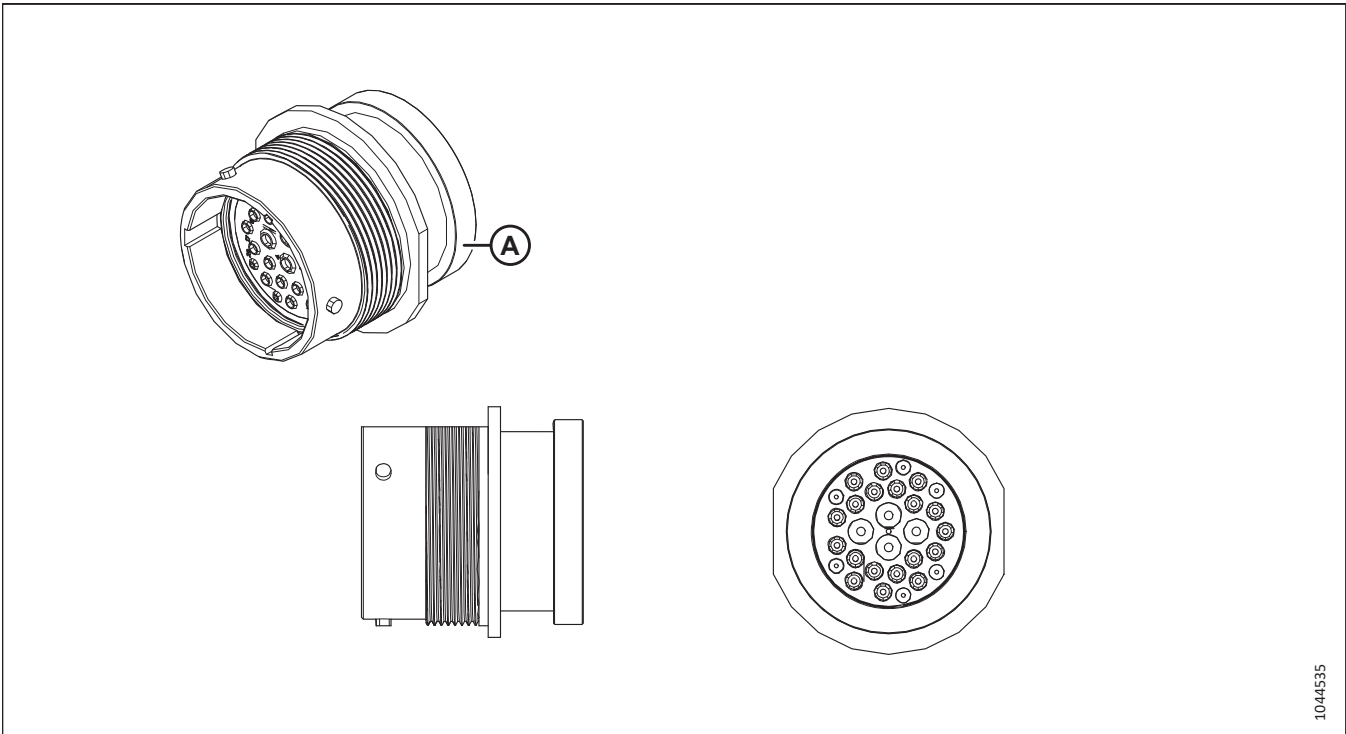


1044537

	MacDon Part #	Description	Manufacturer	Series	Manufacturer Part #
A		Connector – Plug	Deutsch	HDP20	HDP26-24-29SE-L017
		Terminal			
		Lock			
		Secondary Lock			
		Seal			
		Mating Connector			
		Extraction Tool			
		Crimp Tool			
		Cavity Plug			
		Boots/Caps			

29-POSITION CONNECTORS

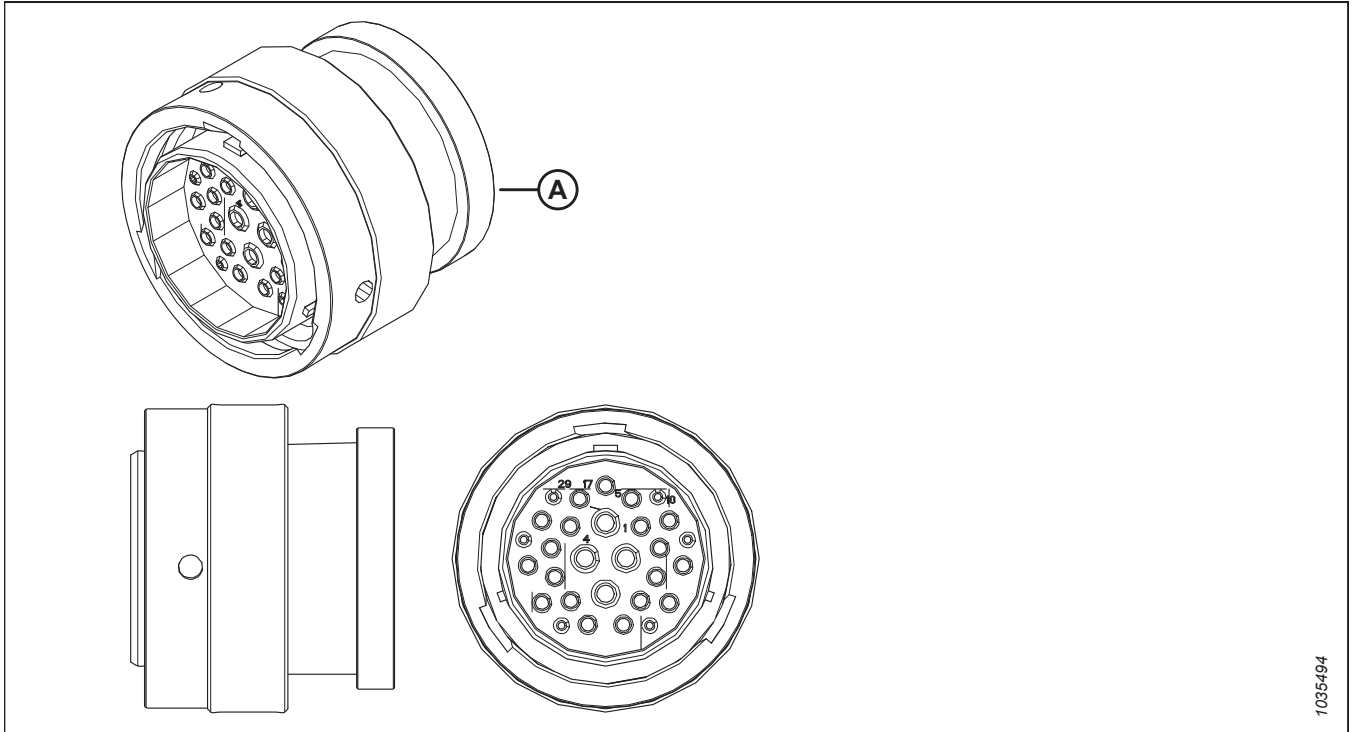
22.12



1044535

	MacDon Part #	Description	Manufacturer	Series	Manufacturer Part #
A		Connector – Receptacle	Deutsch	HDP20	HDP24-24-29PE-L017
		Terminal			
		Lock			
		Secondary Lock			
		Seal			
		Mating Connector			
		Extraction Tool			
		Crimp Tool			
		Cavity Plug			
		Boots/Caps			

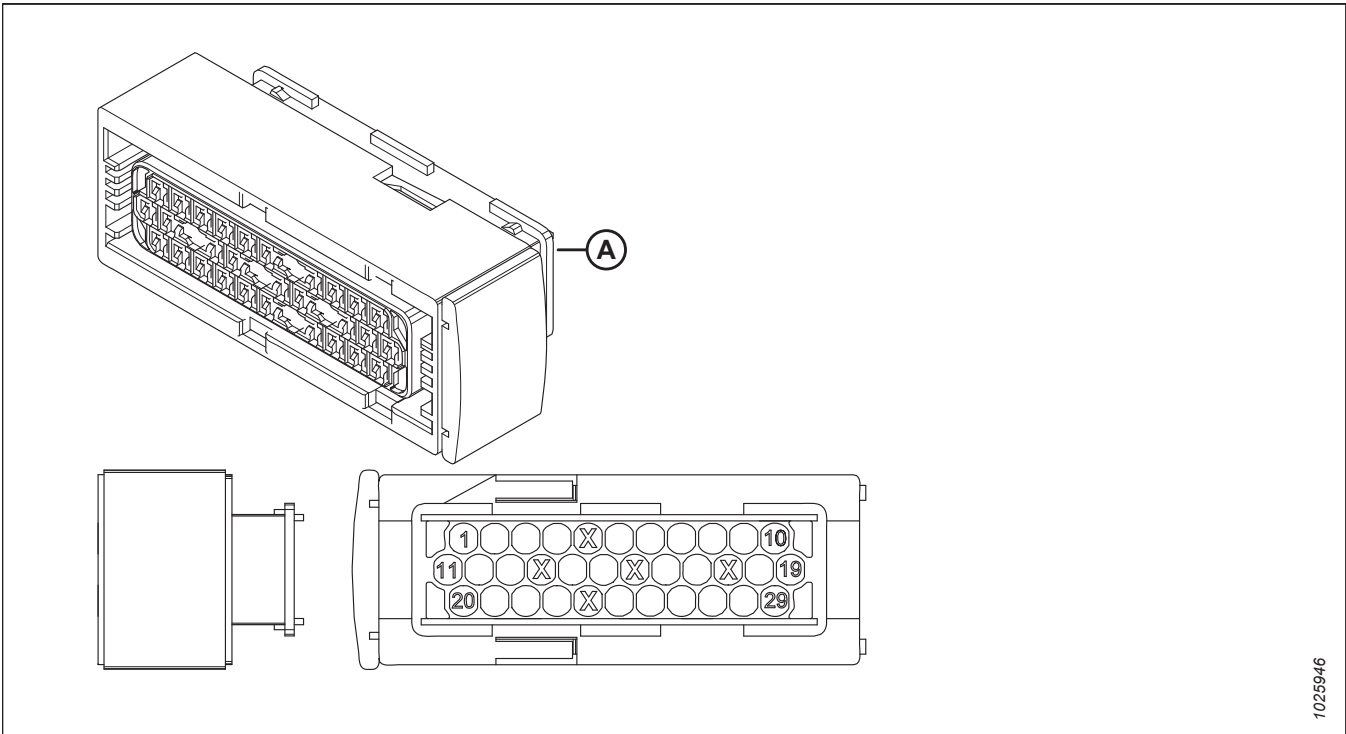
22.13



	MacDon Part #	Description	Manufacturer	Series	Manufacturer Part #
A		Connector – Plug	Deutsch	HDP20	HDP26-24-29PE-L017
B		Terminal			
		Lock			
		Secondary Lock			
		Seal			
		Mating Connector			
		Extraction Tool			
		Crimp Tool			
		Cavity Plug			
		Boots/Caps			

29-POSITION CONNECTORS

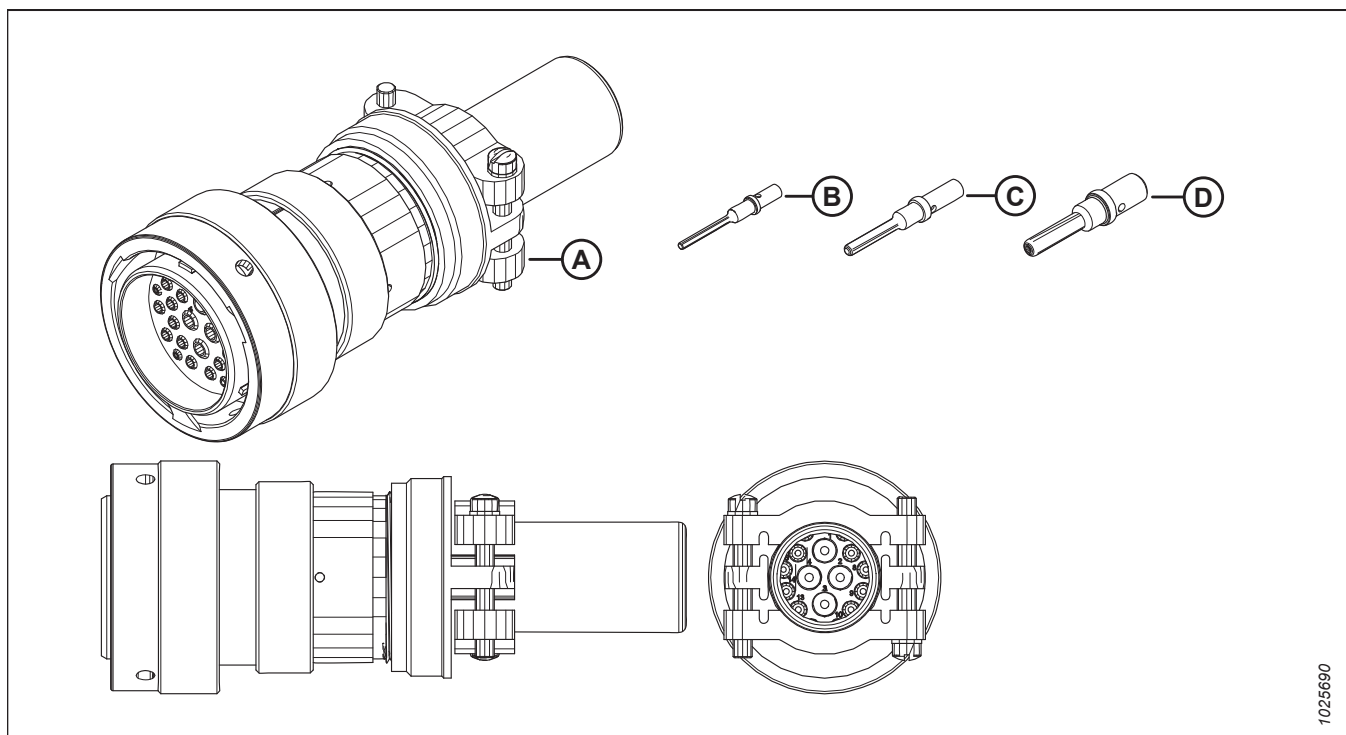
22.14



	MacDon Part #	Description	Manufacturer	Series	Manufacturer Part #
A		Connector – Receptacle	Tyco	JPT	1-963449-2
		Terminal			
		Lock			
		Secondary Lock			
		Seal			
		Mating Connector			
		Extraction Tool			
		Crimp Tool			
		Cavity Plug			
		Boots/Caps			

29-POSITION CONNECTORS

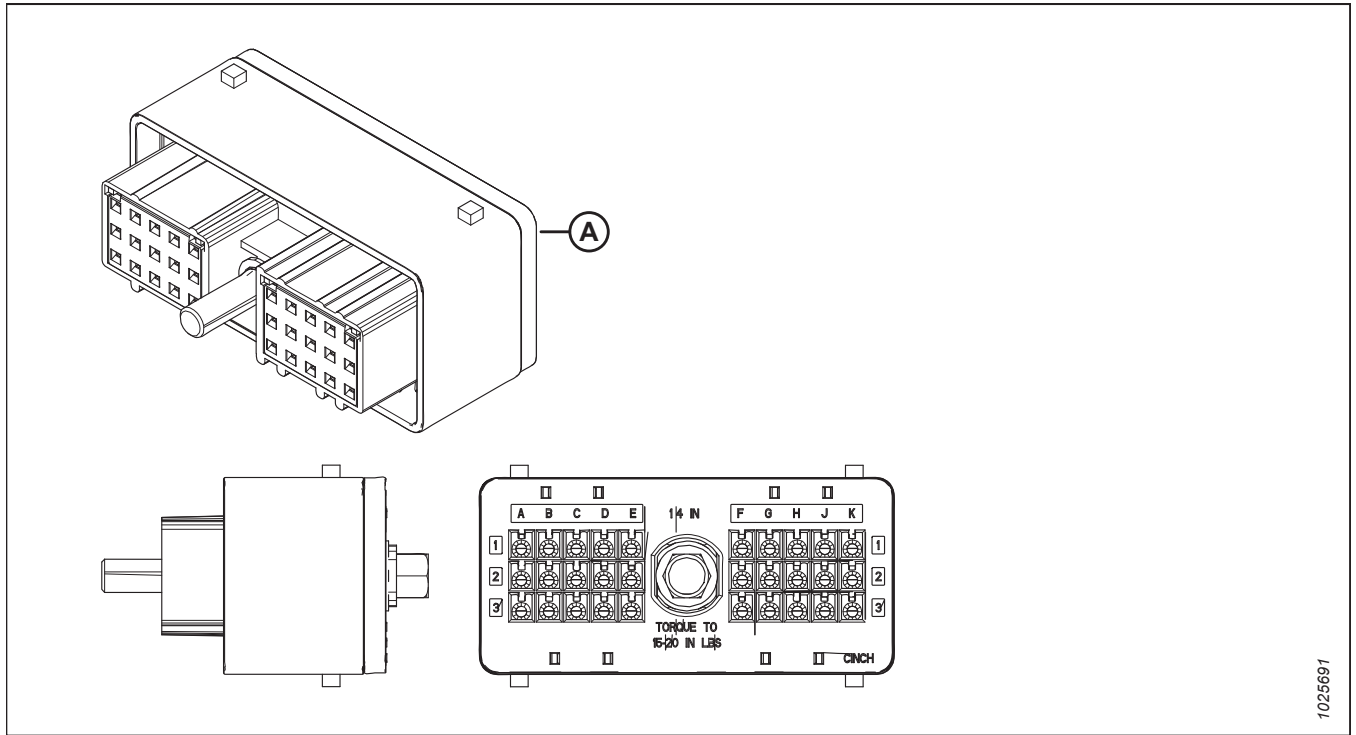
22.15



	MacDon Part #	Description	Manufacturer	Series	Manufacturer Part #
A		Connector	Deutsch	HDP20	HDP26-24-29PE-L017
B	134016	Terminal – Pin		Size 20	0460-202-20141 (nickel), 0460-202-2031 (gold)
C	134023	Terminal – Pin		Size 16	0460-202-16141 (nickel), 0460-202-1631 (gold)
D	134024	Terminal – Pin		Size 12	0460-204-12141 (nickel), 0460-220-1231 (gold)
		Lock			
		Secondary Lock			
		Seal			
		Mating Connector			

Chapter 23: 30-Position Connectors

23.1

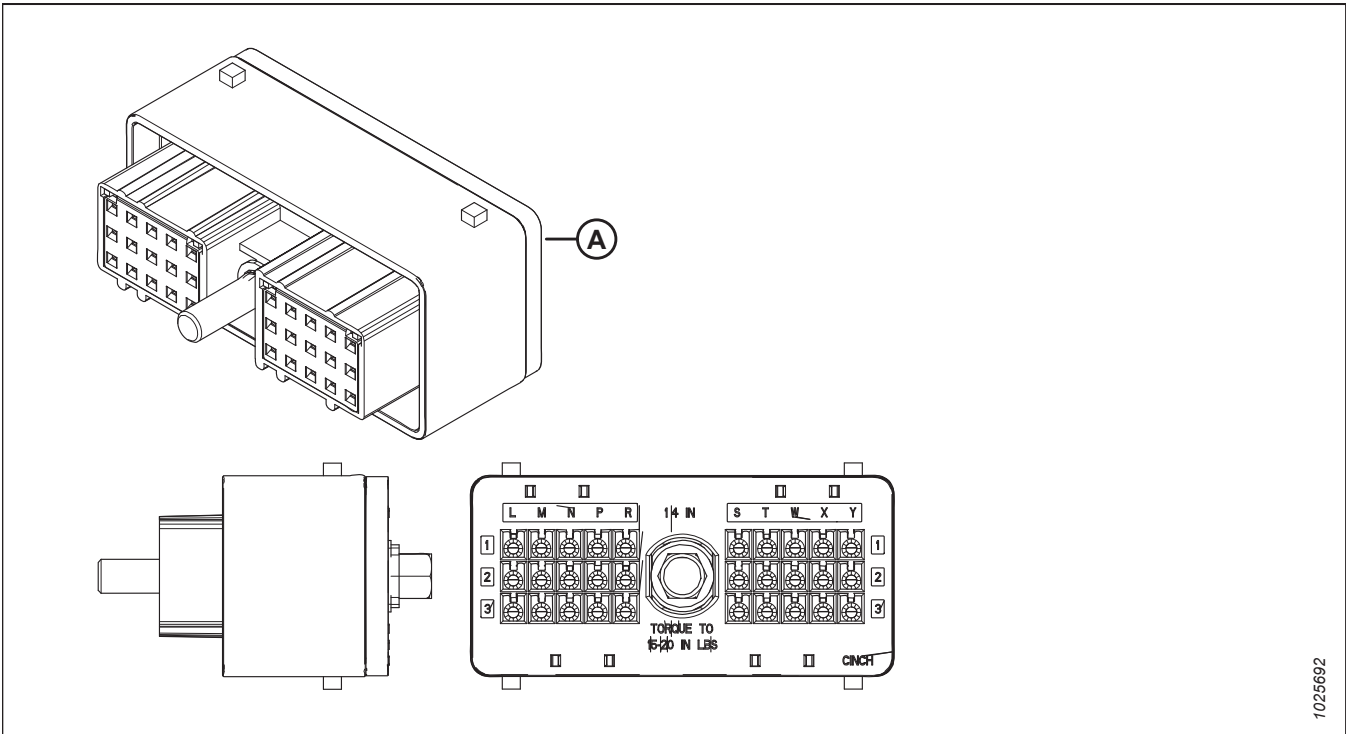


1025691

	MacDon Part #	Description	Manufacturer	Series	Manufacturer Part #
A		Connector – Plug (Terminal Columns Labeled A-J)	3M		5810130029
		Terminal			
		Lock			
		Secondary Lock			
		Seal			
		Mating Connector			
		Extraction Tool			
		Crimp Tool			
		Cavity Plug			
		Boots/Caps			

30-POSITION CONNECTORS

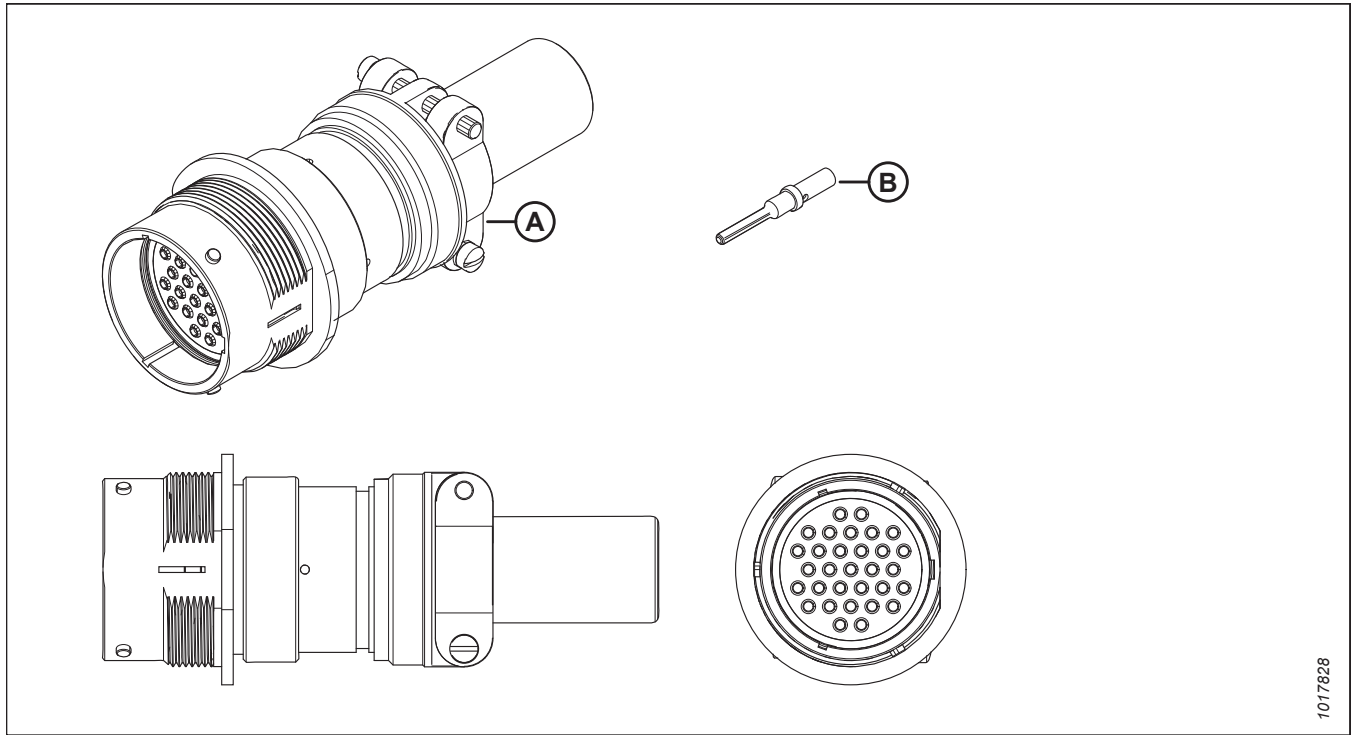
23.2



	MacDon Part #	Description	Manufacturer	Series	Manufacturer Part #
A		Connector – Plug (Terminal Columns Labeled L-Y)	3M		5810130028
		Terminal			
		Lock			
		Secondary Lock			
		Seal			
		Mating Connector			
		Extraction Tool			
		Crimp Tool			
		Cavity Plug			
		Boots/Caps			

Chapter 24: 31-Position Connectors

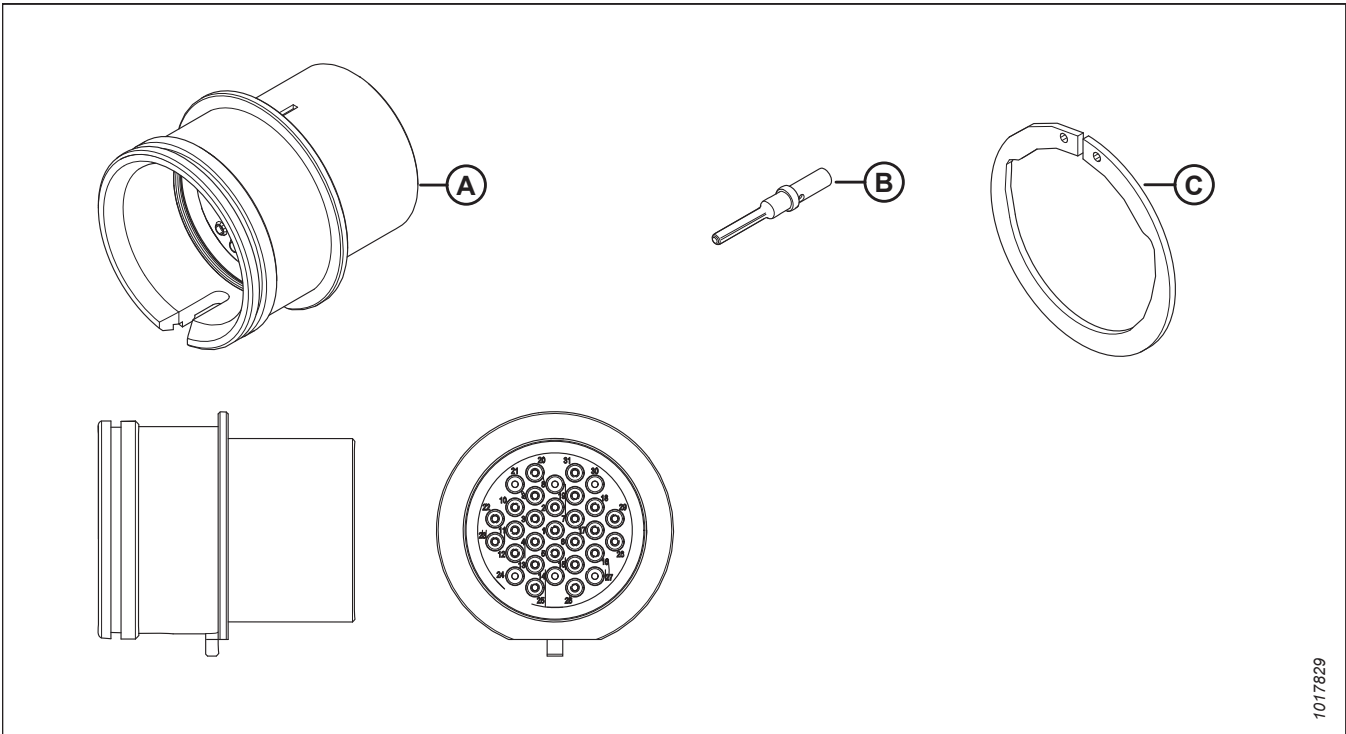
24.1



	MacDon Part #	Description	Manufacturer	Series	Manufacturer Part #
A		Connector – Receptacle	Deutsch	HD30	HD34-24-31PT-059
B	134023	Terminal – Pin		Size 16	0460-202-16141 (nickel), 0460-202-1631 (gold)
		Mating Connector		HD36-24-31ST	
		Extraction Tool			
		Crimp Tool			

31-POSITION CONNECTORS

24.2

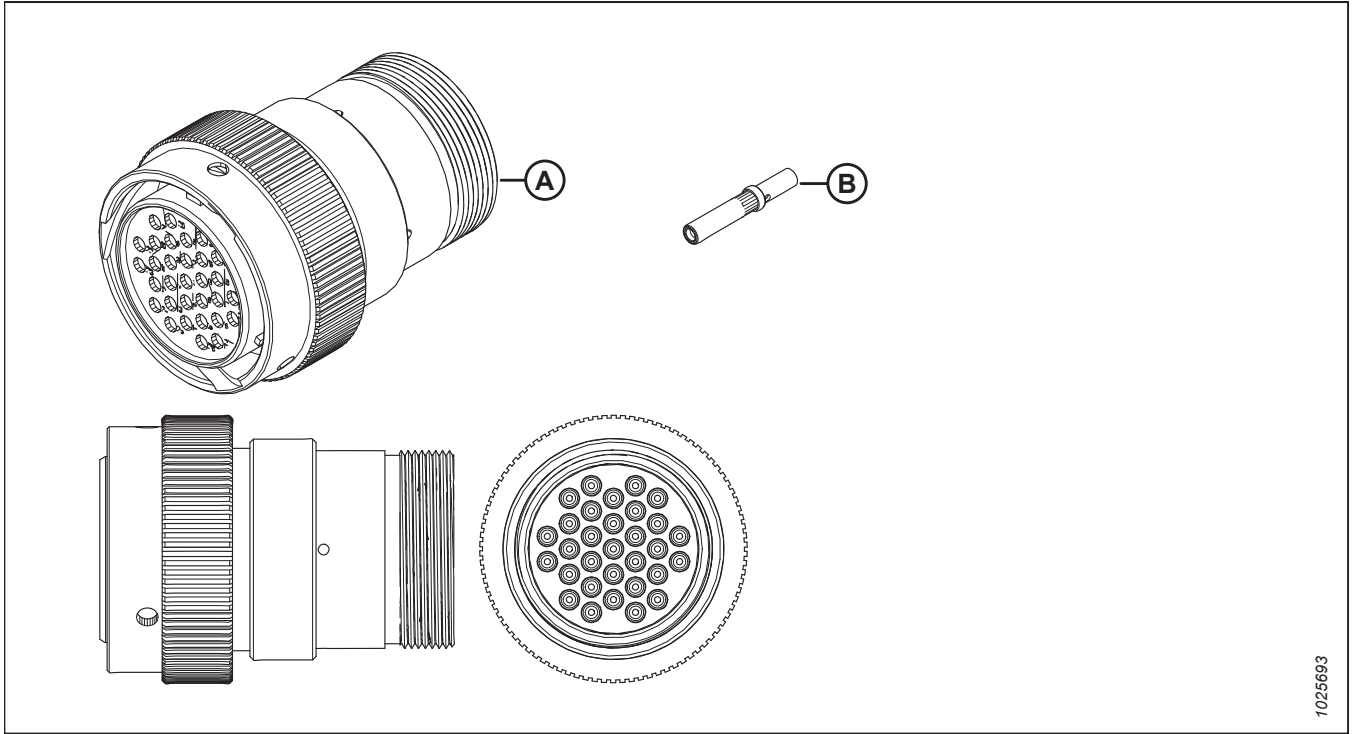


1017829

	MacDon Part #	Description	Manufacturer	Series	Manufacturer Part #
A		Connector – Receptacle	Deutsch	HD30	HD34-24-31PT-B019
B	134023	Terminal – Pin		Size 16	0460-202-16141 (nickel), 0460-202-1631 (gold)
C	135267	Ring – Inverted Ext. Retaining	Rotor Clip		SHI-177
		Mating Connector	HD36-24-31ST-B019		
		Extraction Tool			
		Crimp Tool			

31-POSITION CONNECTORS

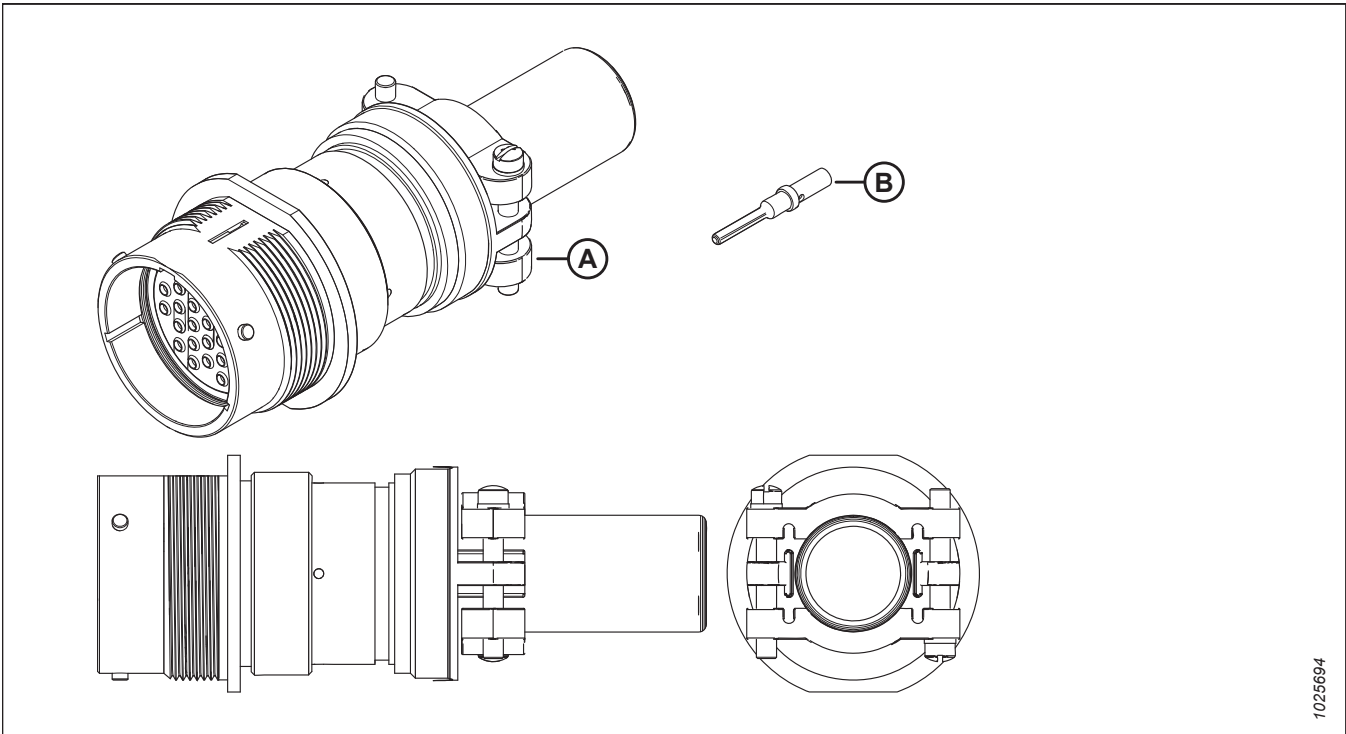
24.3



	MacDon Part #	Description	Manufacturer	Series	Manufacturer Part #
A		Connector – Plug	Deutsch	HD30	HD36-24-31SE-072
B	134026	Terminal – Socket		Size 16	0462-201-16141 (nickel), 0462-201-1631 (gold)
		Lock			
		Secondary Lock			
		Seal			
		Mating Connector		HD34-24-31PE	
		Extraction Tool			
		Crimp Tool			
		Cavity Plug			
		Boots/Caps		HD30-24BT-BK, HDC34-24, WHDS-24-1, WHDS-24-2	

31-POSITION CONNECTORS

24.4

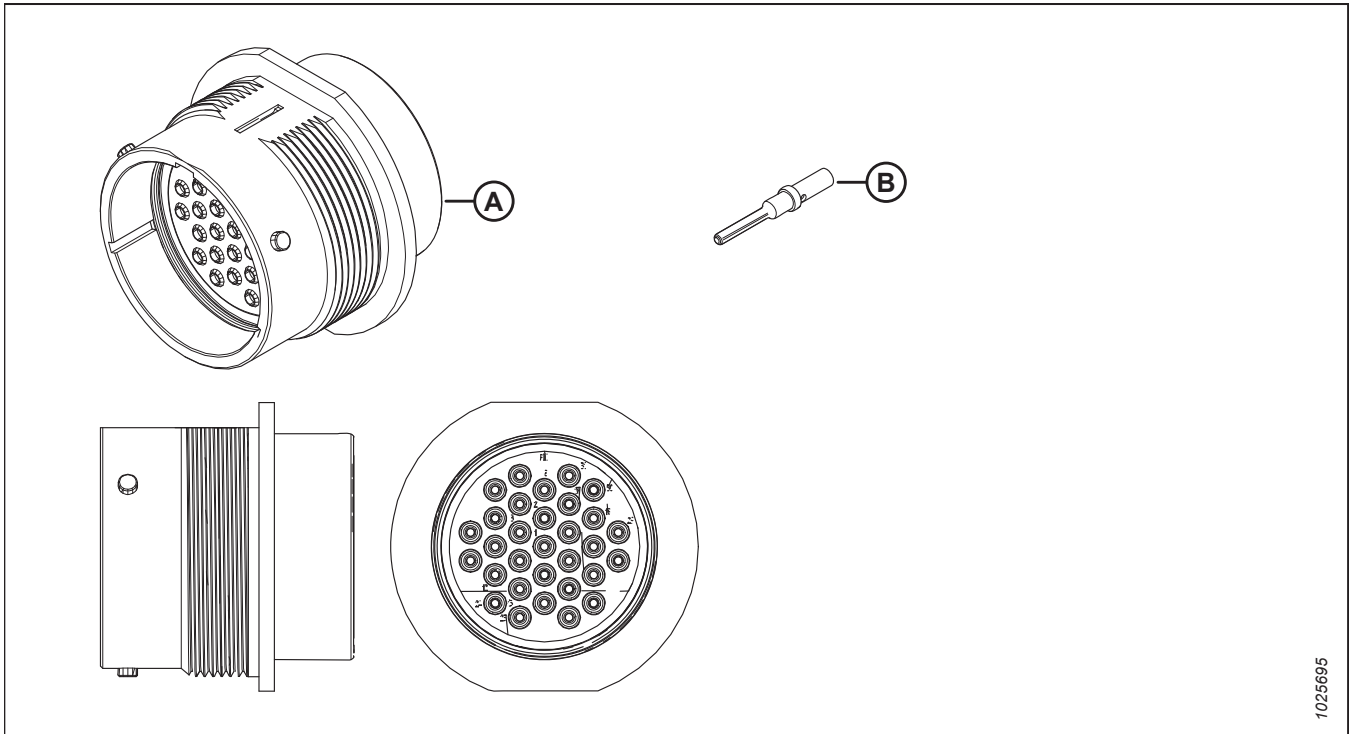


1025694

	MacDon Part #	Description	Manufacturer	Series	Manufacturer Part #
A		Connector – Receptacle	Deutsch	HD30	HD34-24-31PE-059
B	134023	Terminal – Pin		Size 16	0460-202-16141 (nickel), 0460-202-1631 (gold)
		Lock			
		Secondary Lock			
		Seal			
		Mating Connector		HD36-24-31SE	
		Extraction Tool			
		Crimp Tool			
		Cavity Plug			
		Boots/Caps		HD30-24BT-BK, 112263-90, 112264, HDC36-24	

31-POSITION CONNECTORS

24.5

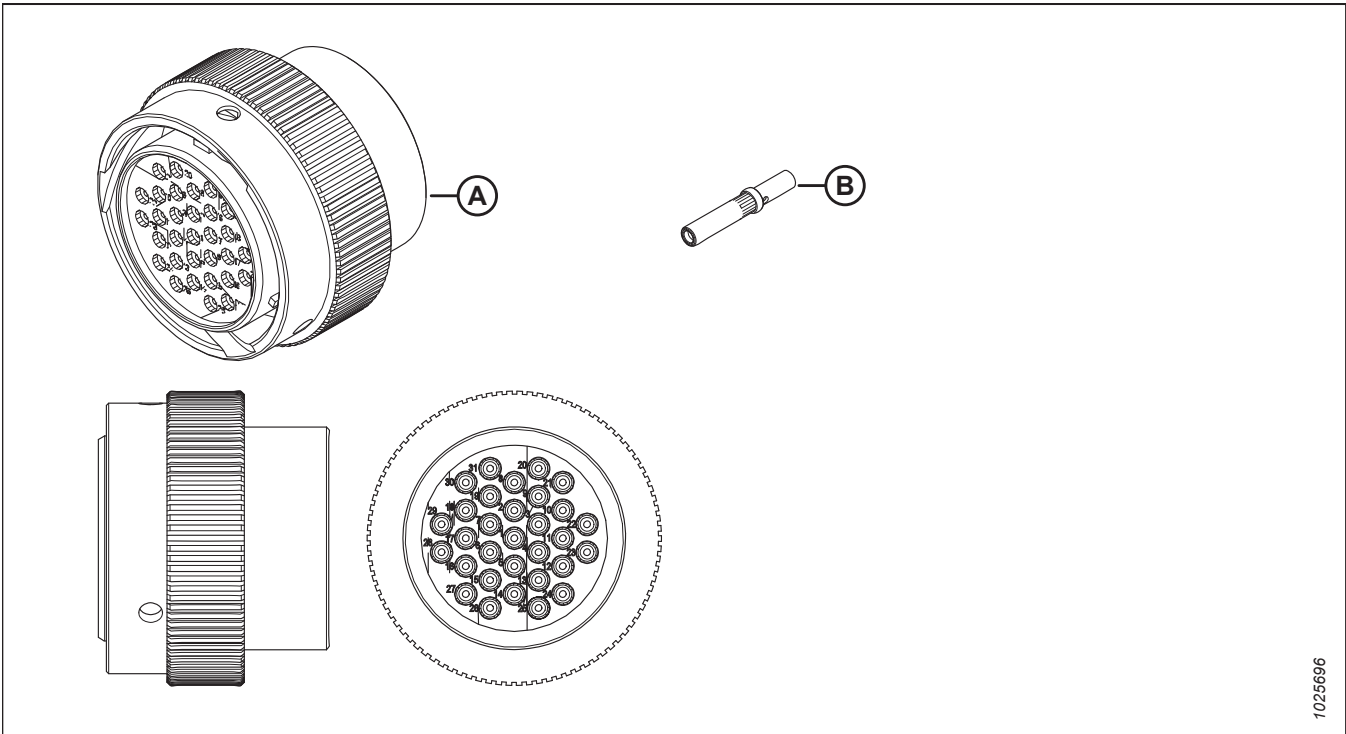


1025695

	MacDon Part #	Description	Manufacturer	Series	Manufacturer Part #
A		Connector – Receptacle	Deutsch	HD30	HD34-24-31PT
B	134023	Terminal – Pin		Size 16	0460-202-16141 (nickel), 0460-202-1631 (gold)
		Lock			
		Secondary Lock			
		Seal			
		Mating Connector			
		Extraction Tool			
		Crimp Tool			
		Cavity Plug			
		Boots/Caps			

31-POSITION CONNECTORS

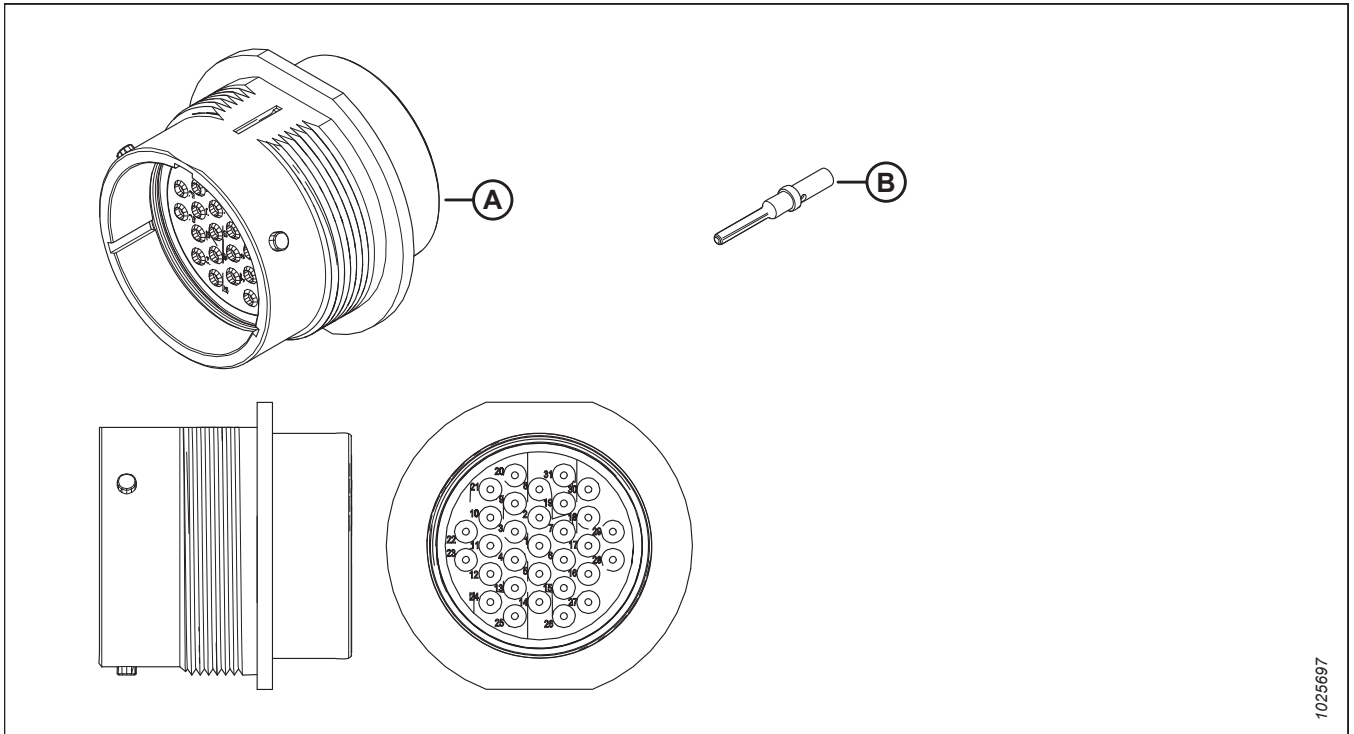
24.6



	MacDon Part #	Description	Manufacturer	Series	Manufacturer Part #
A		Connector – Plug	Deutsch	HD30	HD36-24-31SE
B	134026	Terminal – Socket		Size 16	0460-202-16141 (nickel), 0460-202-1631 (gold)
		Lock			
		Secondary Lock			
		Seal			
		Mating Connector		HD34-24-31PE	
		Extraction Tool			
		Crimp Tool			
		Cavity Plug			
		Boots/Caps		HD30-24BT-BK, HDC34-24, WHDS-24-1, WHDS-24-2	

31-POSITION CONNECTORS

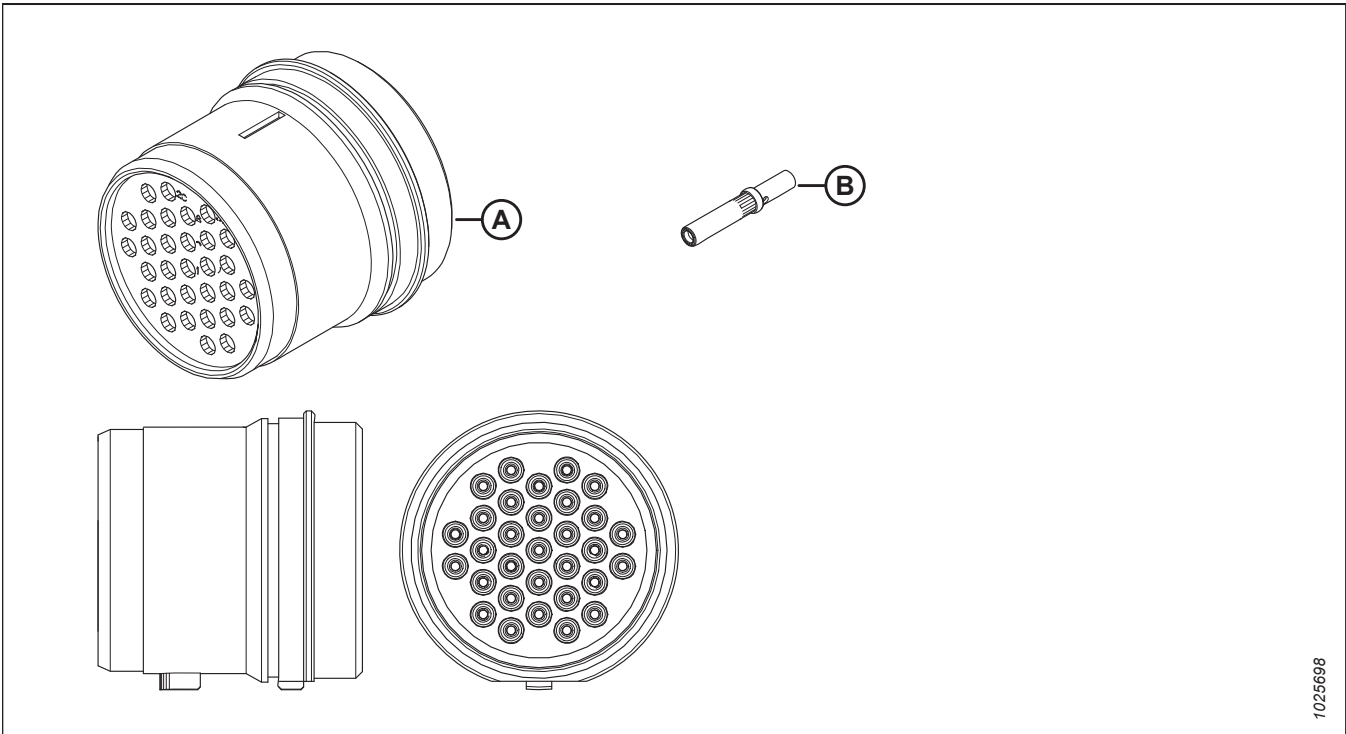
24.7



	MacDon Part #	Description	Manufacturer	Series	Manufacturer Part #
A		Connector – Receptacle	Deutsch	HD30	HD34-24-31PE
B	134023	Terminal – Pin		Size 16	0460-202-16141 (nickel), 0460-202-1631 (gold)
		Lock			
		Secondary Lock			
		Seal			
		Mating Connector		HD36-24-31SE	
		Extraction Tool			
		Crimp Tool			
		Cavity Plug			
		Boots/Caps		HD30-24BT-BK, 112263-90, 112264, HDC36-24	

31-POSITION CONNECTORS

24.8

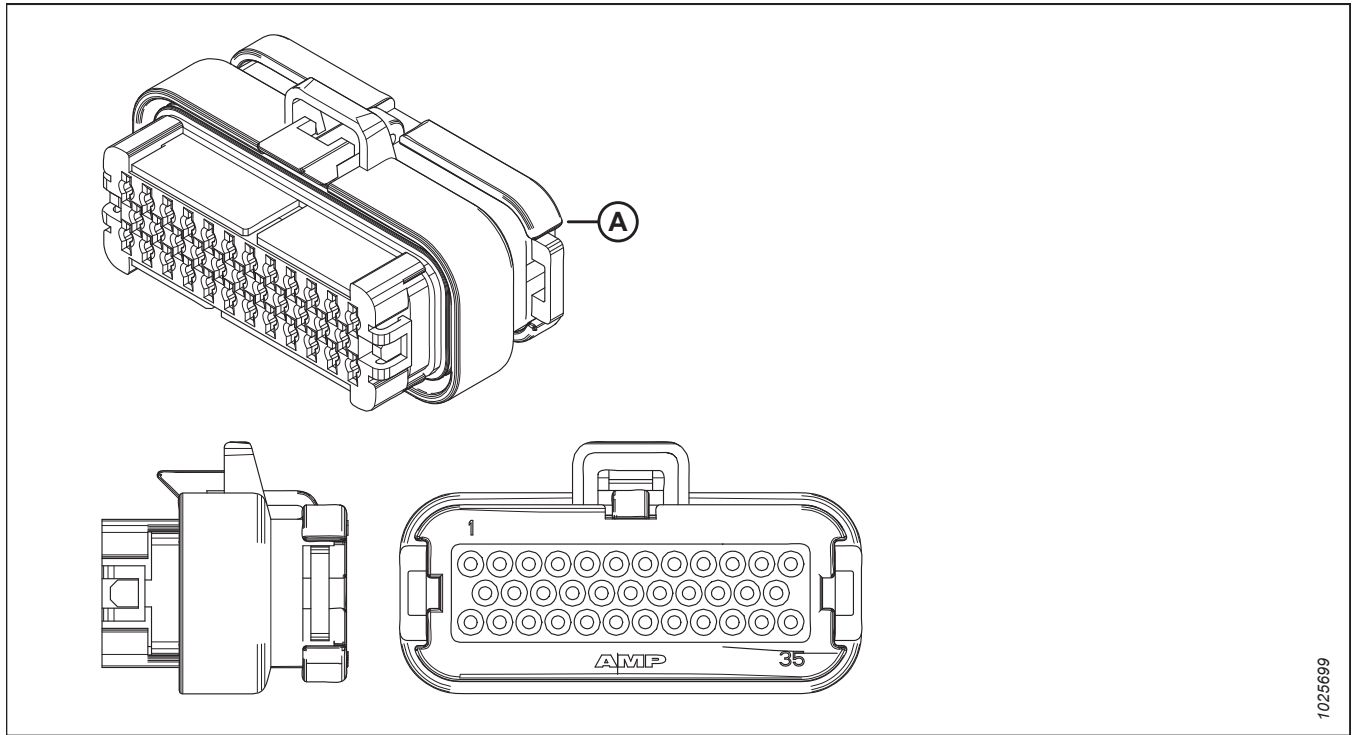


1025698

	MacDon Part #	Description	Manufacturer	Series	Manufacturer Part #
A		Connector – Plug	Deutsch	HD30	HD36-24-31ST-B019
B	134023	Terminal – Socket		Size 16	0462-201-16141 (nickel), 0462-201-1631 (gold)
		Lock			
		Secondary Lock			
		Seal			
		Mating Connector			
		Extraction Tool			
		Crimp Tool			
		Cavity Plug			
		Boots/Caps			

Chapter 25: 35-Position Connectors

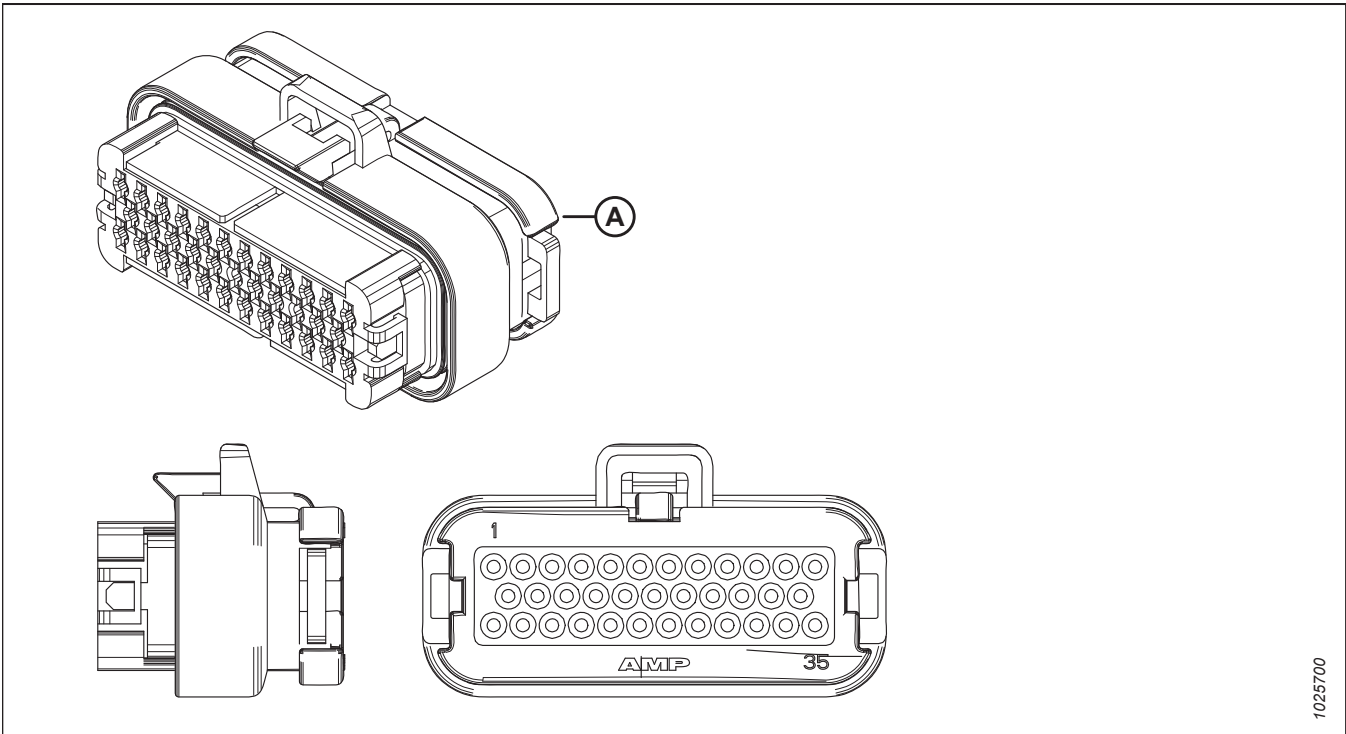
25.1



	MacDon Part #	Description	Manufacturer	Series	Manufacturer Part #
A	134375	Connector – Plug (BLACK Housing)	Amp		776164-1
		Terminal			770520
		Lock			
		Secondary Lock			
		Seal			770678
		Mating Connector			
		Extraction Tool			
		Crimp Tool		58529-1 or 2217748-1	
		Cavity Plug		770678-1	
		Boots/Caps		776463	

35-POSITION CONNECTORS

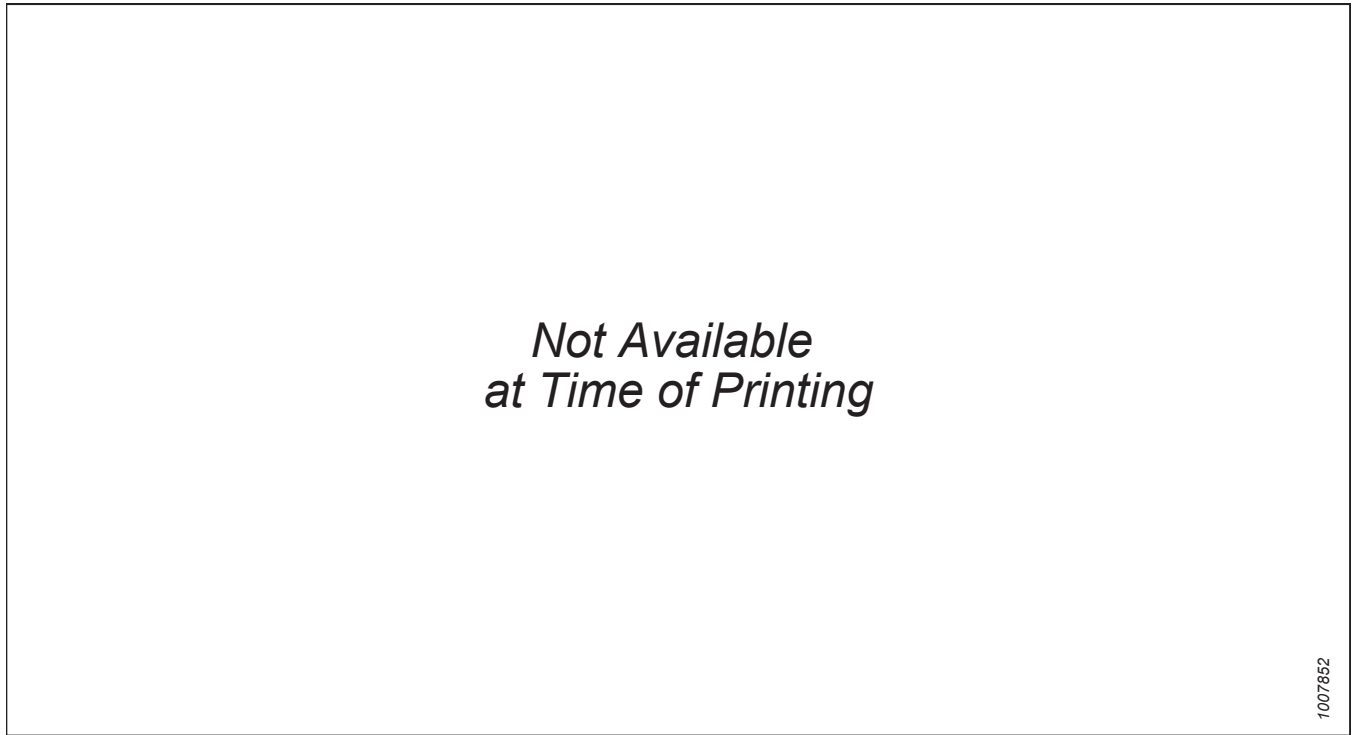
25.2



	MacDon Part #	Description	Manufacturer	Series	Manufacturer Part #
A	134376	Connector – Plug (NATURAL Housing)	Amp		776164-2
		Terminal			770520
		Lock			
		Secondary Lock			
		Seal			770678
		Mating Connector			
		Extraction Tool			
		Crimp Tool			
		Cavity Plug			
		Boots/Caps		776463	

Chapter 26: 36-Position Connectors

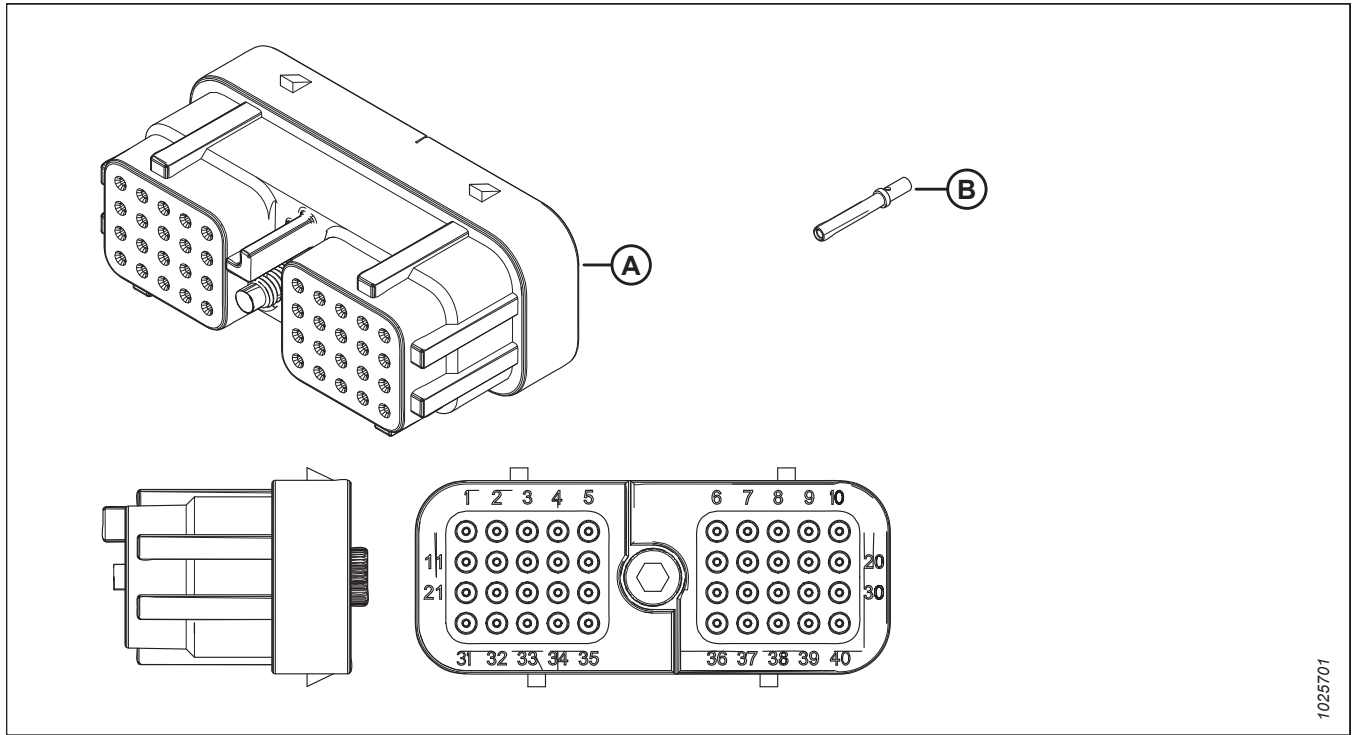
26.1



	MacDon Part #	Description	Manufacturer	Series	Manufacturer Part #
		Connector	Parker Hannifin		5031063
		Terminal			
		Lock			
		Secondary Lock			
		Seal			
		Mating Connector			
		Extraction Tool			
		Crimp Tool			
		Cavity Plug			
		Boots/Caps			

Chapter 27: 40-Position Connectors

27.1

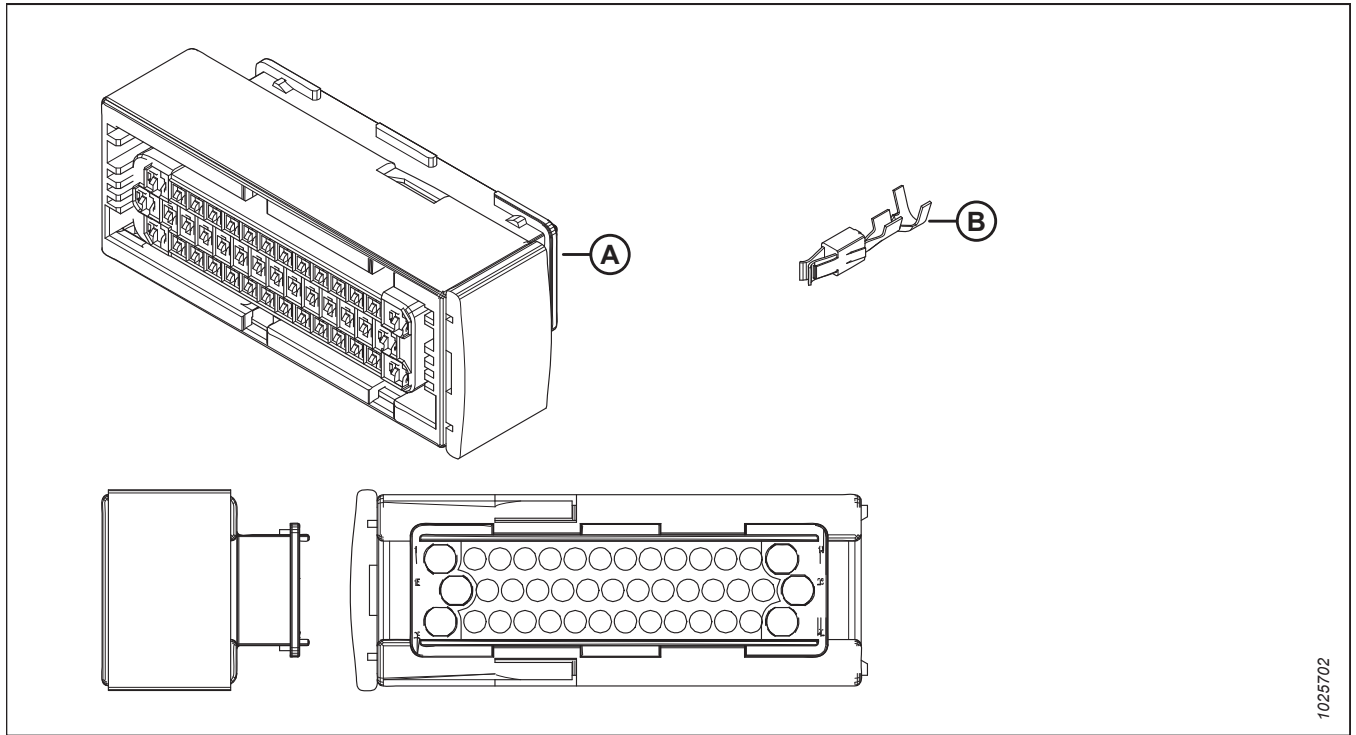


1025701

	MacDon Part #	Description	Manufacturer	Series	Manufacturer Part #
A		Connector – Plug	Deutsch	DRC	DRC26-40SA
B	134017	Terminal – Socket		Size 20	0462-201-20141 (nickel), 0462-201-2031 (gold)
		Lock			
		Secondary Lock			
		Seal			
		Mating Connector		DRC22-40PA	
		Extraction Tool		0411-240-2005	
		Crimp Tool			
		Cavity Plug			
		Boots/Caps		DRC26-40BT	

Chapter 28: 42-Position Connectors

28.1

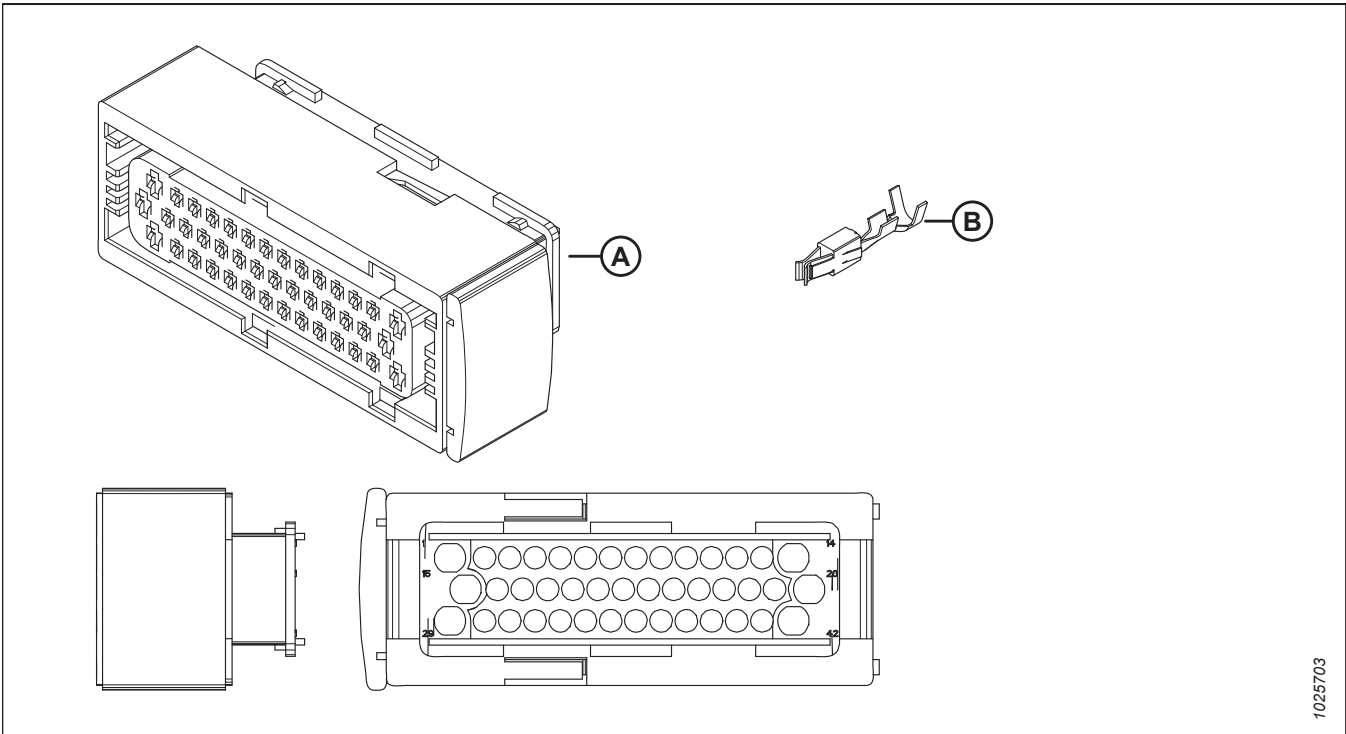


1025702

	MacDon Part #	Description	Manufacturer	Series	Manufacturer Part #
A		Connector – Plug	Tyco	JPT	1-963226-1
B		Terminal		2.8	929939-1, 929940-1
		Lock			
		Secondary Lock			
		Seal			
		Mating Connector			
		Extraction Tool			
		Crimp Tool			
		Cavity Plug			
		Boots/Caps			

42-POSITION CONNECTORS

28.2

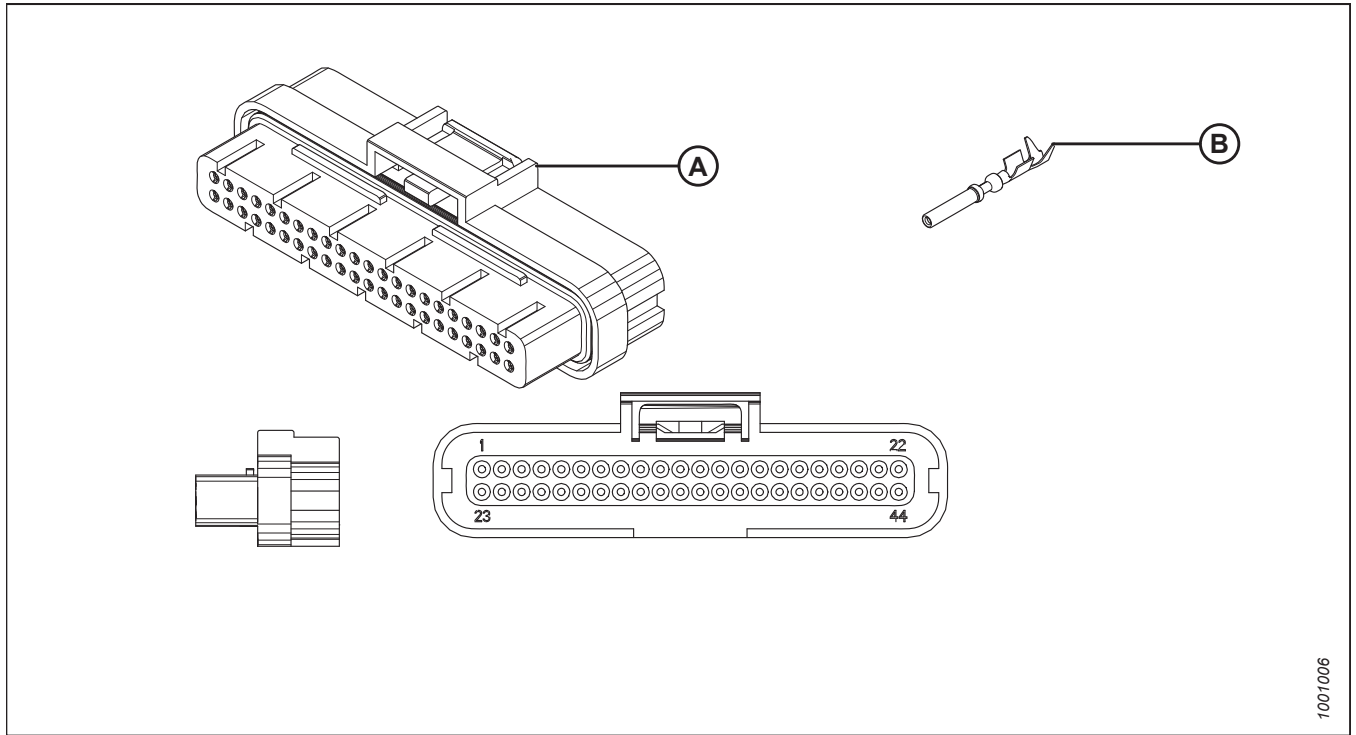


1025703

	MacDon Part #	Description	Manufacturer	Series	Manufacturer Part #
A		Connector – Plug	Tyco	JPT	1-967281-1
B		Terminal		2.8	929939-1, 929940-1
		Lock			
		Secondary Lock			
		Seal			963225-1
		Mating Connector		1-967280-1	
		Extraction Tool			
		Crimp Tool			
		Cavity Plug			
		Boots/Caps			

Chapter 29: 44-Position Connectors

29.1

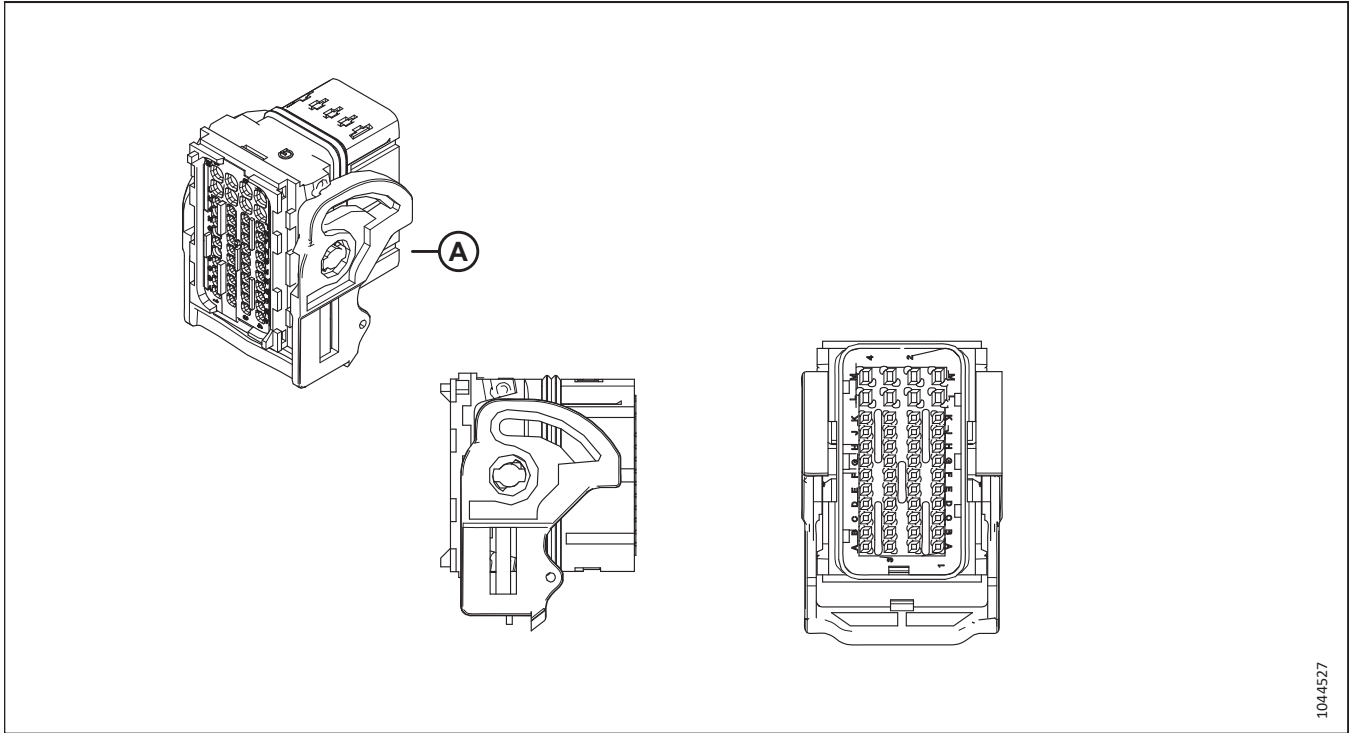


1001006

	MacDon Part #	Description	Manufacturer	Series	Manufacturer Part #
A		Connector – Plug	Amp	SS	1376886-1
B	134089	Terminal – Socket	Amp	SS	3-1447221-3
		Mating Connector	Device CDM/WCM		
		Extraction Tool	Not Required		
		Crimp Tool			

Chapter 30: 48-Position Connectors

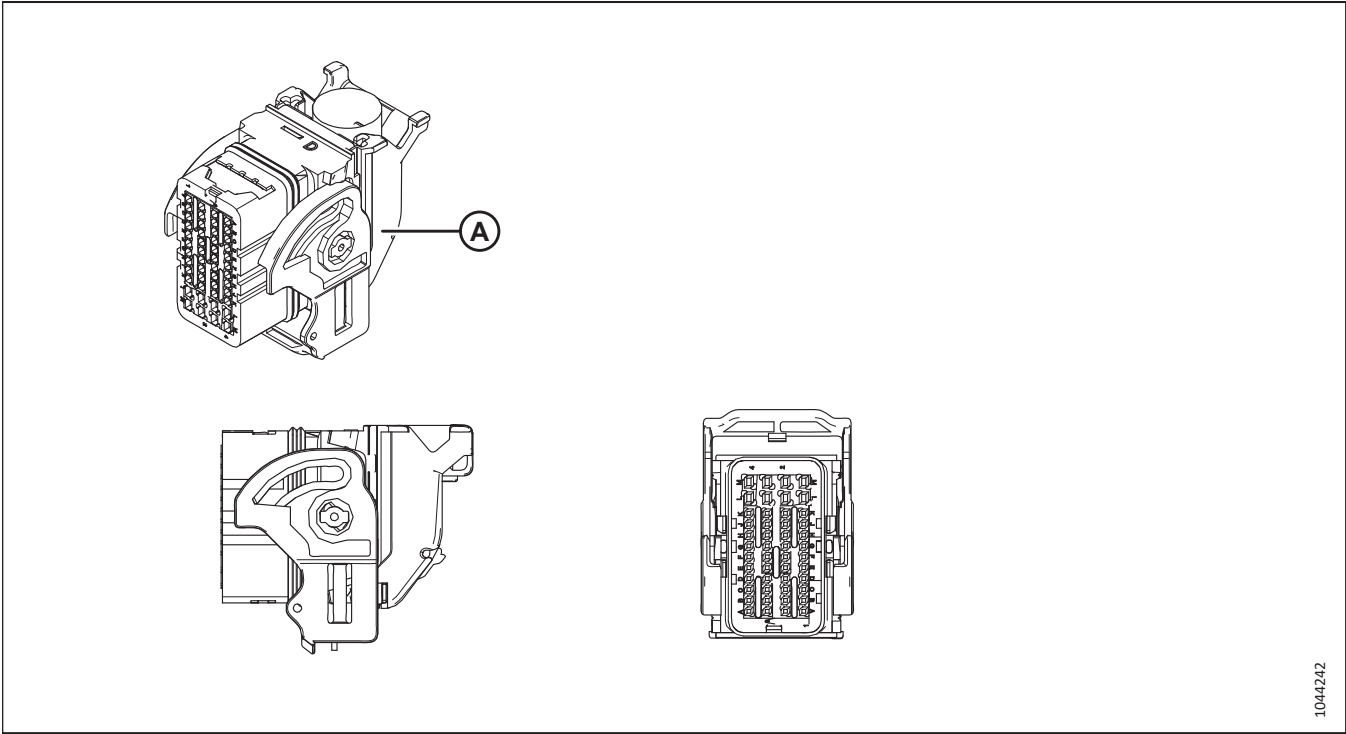
30.1



1044527

	MacDon Part #	Description	Manufacturer	Series	Manufacturer Part #
A		Connector – Plug	Molex	CMC	643201319
		Terminal			
		Lock			
		Secondary Lock			
		Seal			
		Mating Connector			
		Extraction Tool			
		Crimp Tool			
		Cavity Plug			
		Boots/Caps			

30.2

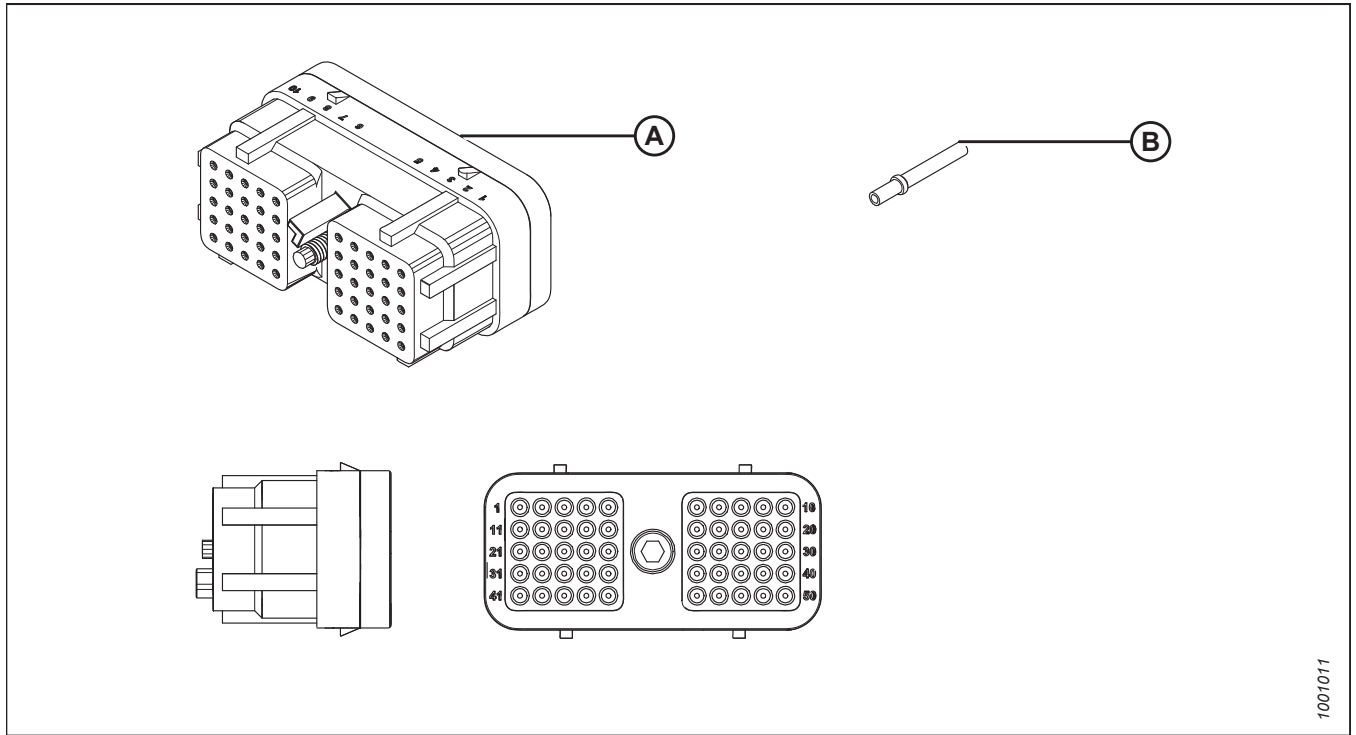


1044242

	MacDon Part #	Description	Manufacturer	Series	Manufacturer Part #
A	252965	Connector – Plug	Molex	CMC	643203311
		Terminal			
		Lock			
		Secondary Lock			
		Seal			
		Mating Connector			
		Extraction Tool			
		Crimp Tool			
		Cavity Plug			
		Boots/Caps			

Chapter 31: 50-Position Connectors

31.1

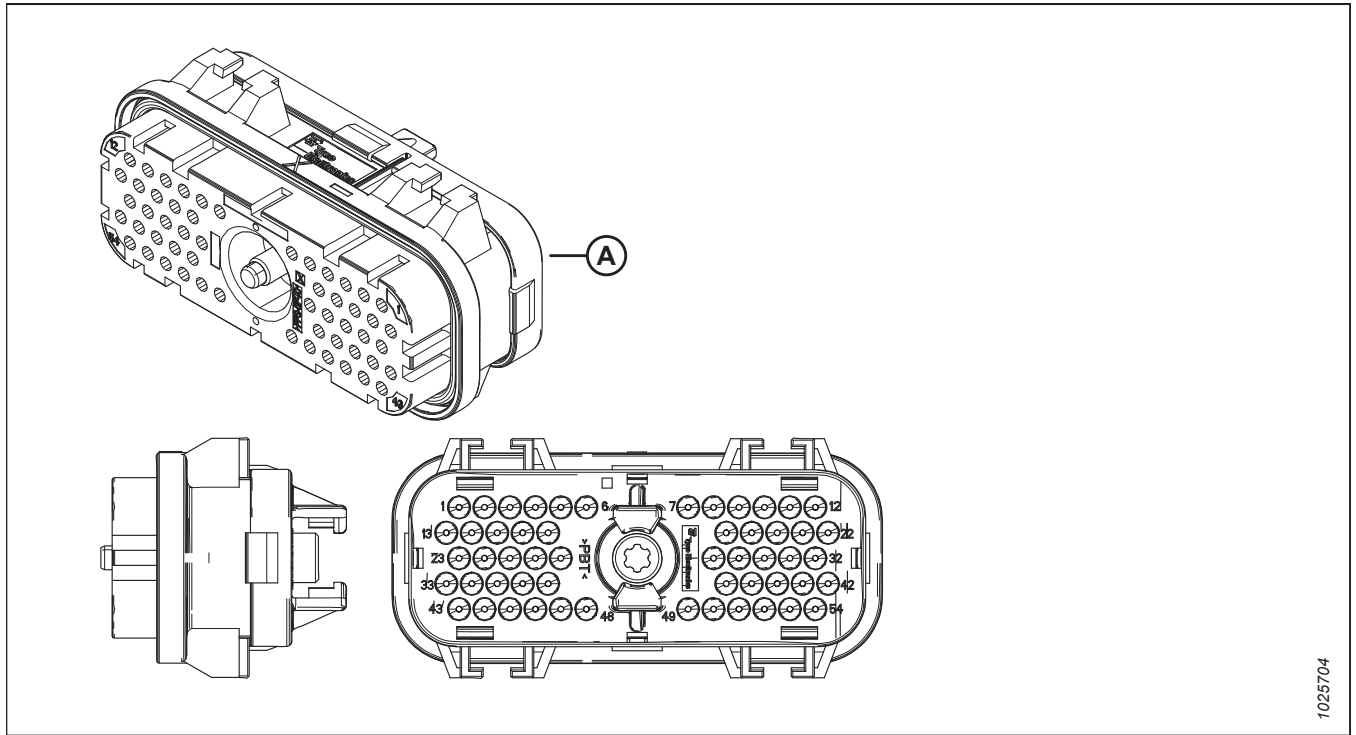


1001011

	MacDon Part #	Description	Manufacturer	Series	Manufacturer Part #
A		Connector – Plug (16–22 ga)	Deutsch	DRC	DRC26-50S04
B	134017	Terminal – Socket	Deutsch	Size 20	0462-201-20141 (nickel), 0462-201-2031 (gold)
		Mating Connector	Device Engine ECU		
	134012 134013	Extraction Tool	0411-240-2005 0411-310-605		
	134015	Crimp Tool	HDT-48-00		

Chapter 32: 54-Position Connectors

32.1

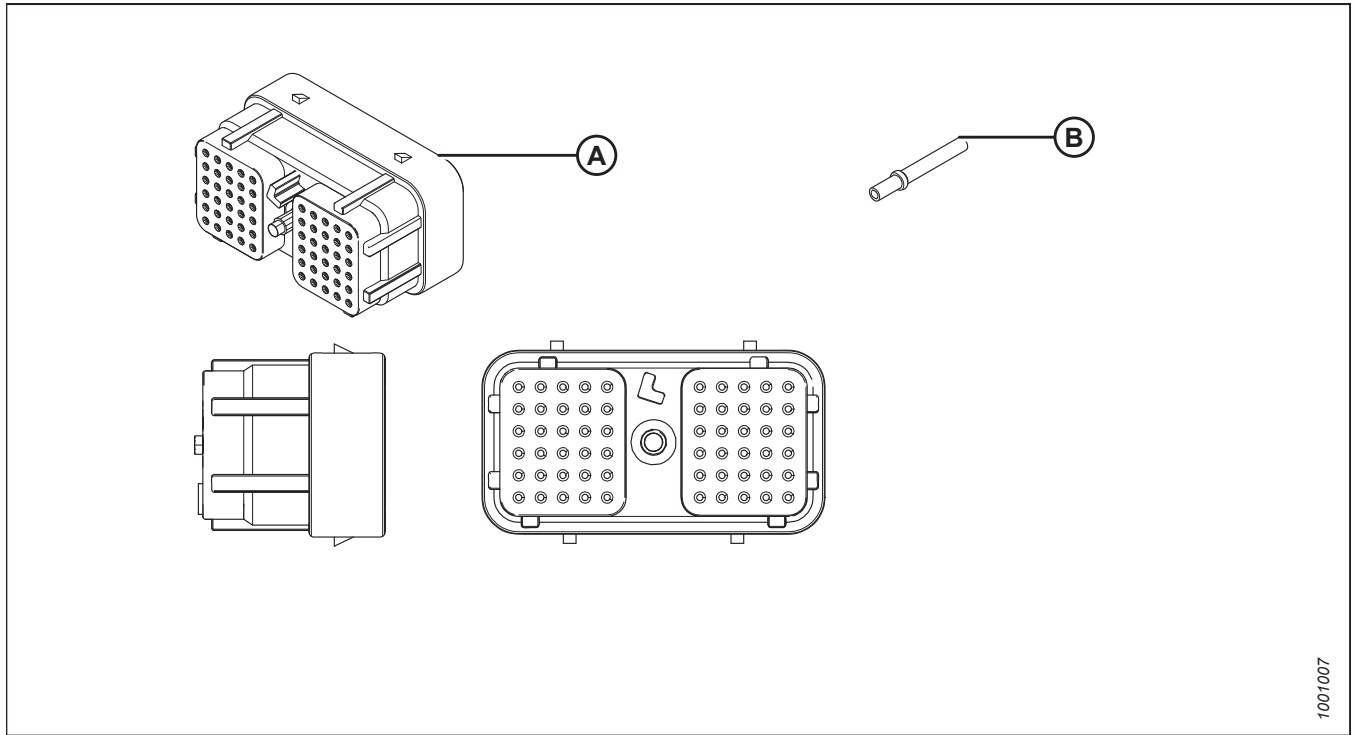


1025704

	MacDon Part #	Description	Manufacturer	Series	Manufacturer Part #
A		Connector – Plug	Tyco		1924478-3
		Terminal			
		Lock			
		Secondary Lock			
		Seal			
		Mating Connector			
		Extraction Tool			
		Crimp Tool			
		Cavity Plug			
		Boots/Caps			

Chapter 33: 60-Position Connectors

33.1

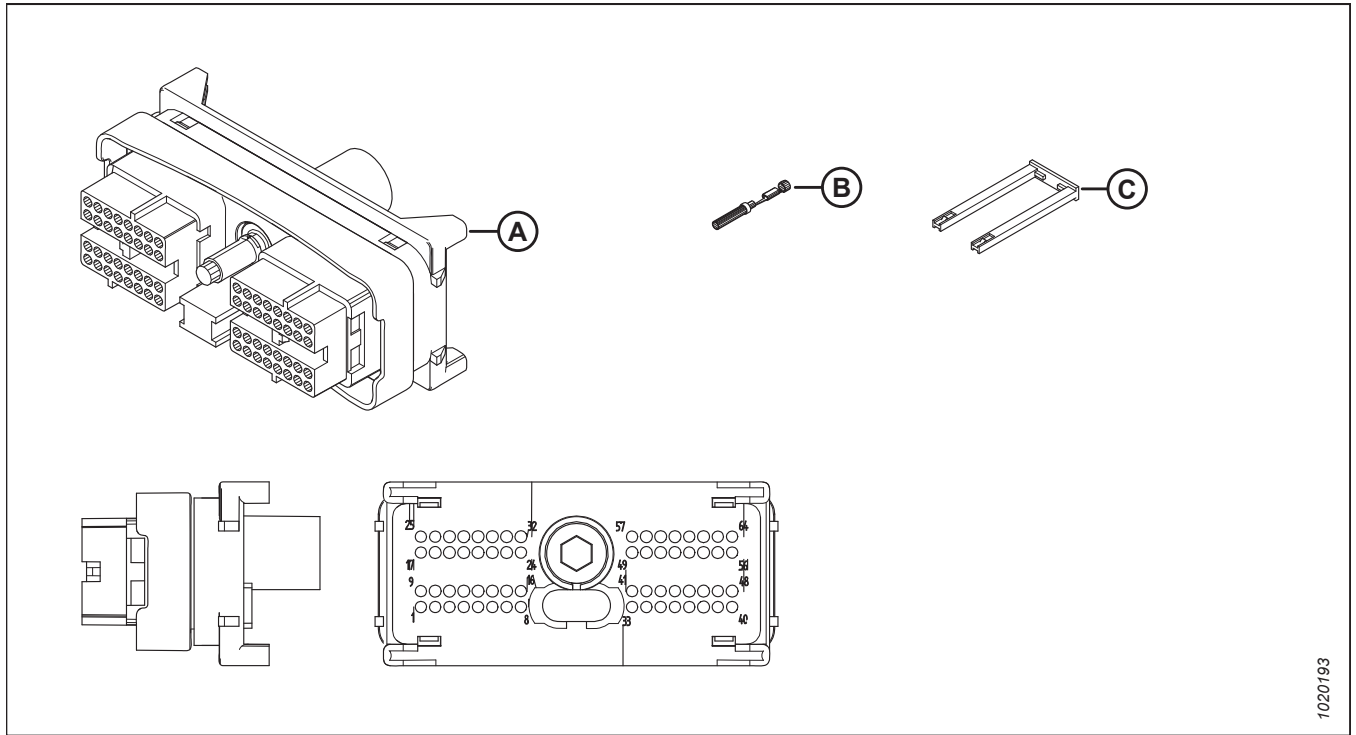


1001007

	MacDon Part #	Description	Manufacturer	Series	Manufacturer Part #
A		Connector – Plug	Deutsch	DRC	DRC26-60S-06
B	134017	Terminal – Socket	Deutsch	Size 20	0462-201-20141 (nickel), 0462-201-2031 (gold)
		Mating Connector	Device Engine ECU		
		Extraction Tool			
	134015	Crimp Tool	HDT-48-00		

Chapter 34: 64-Position Connectors

34.1

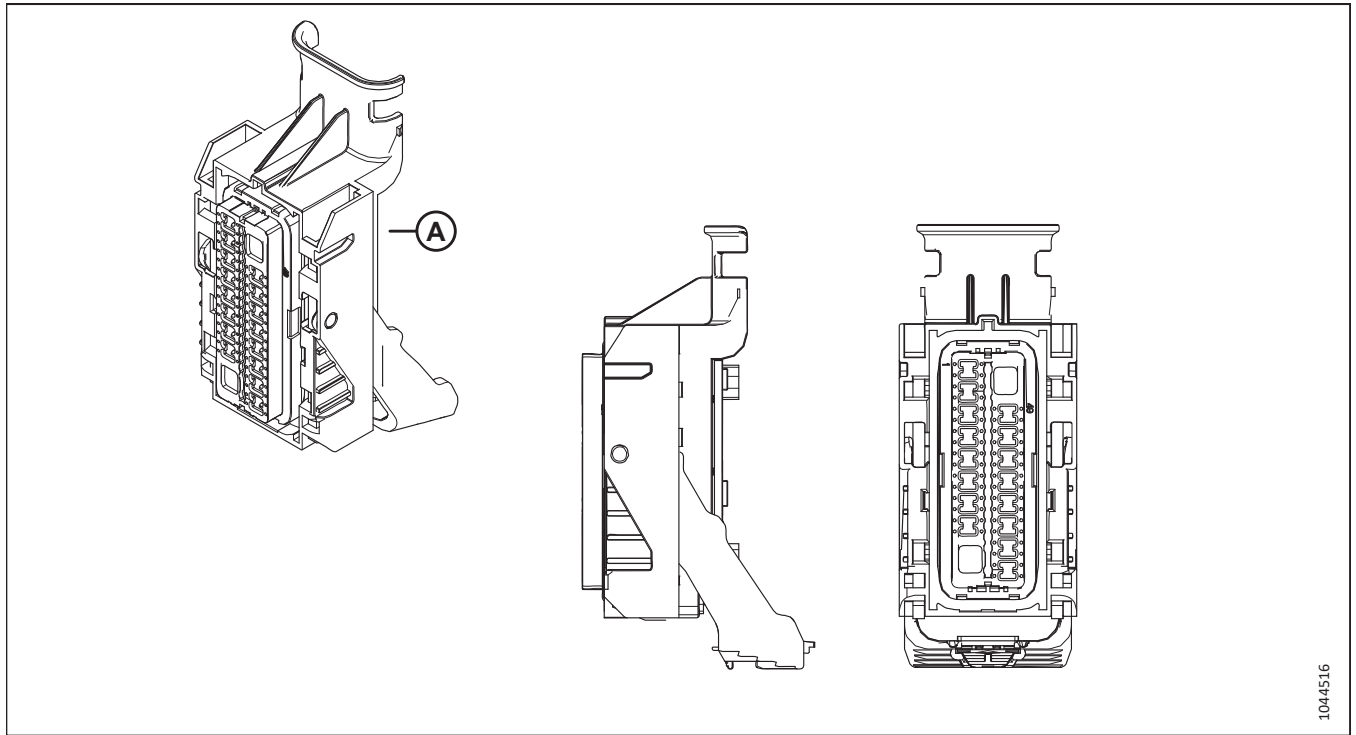


1020193

	MacDon Part #	Description	Manufacturer	Series	Manufacturer Part #
A		Connector – Plug	Delphi	Micro-Pack 100W	15488667
B		Terminal			12084912, 12084913, 12146034, 15359001, 15359002, 15435885, 15435886
C	134100	Secondary Lock (Terminal)			15404650
		Lock			
		Seal			
		Mating Connector			
		Extraction Tool			
		Crimp Tool			
		Cavity Plug	12129750, 13726494, 12065266, 12129557, 12034413, 13544665, 15318164		

Chapter 35: 66-Position Connectors

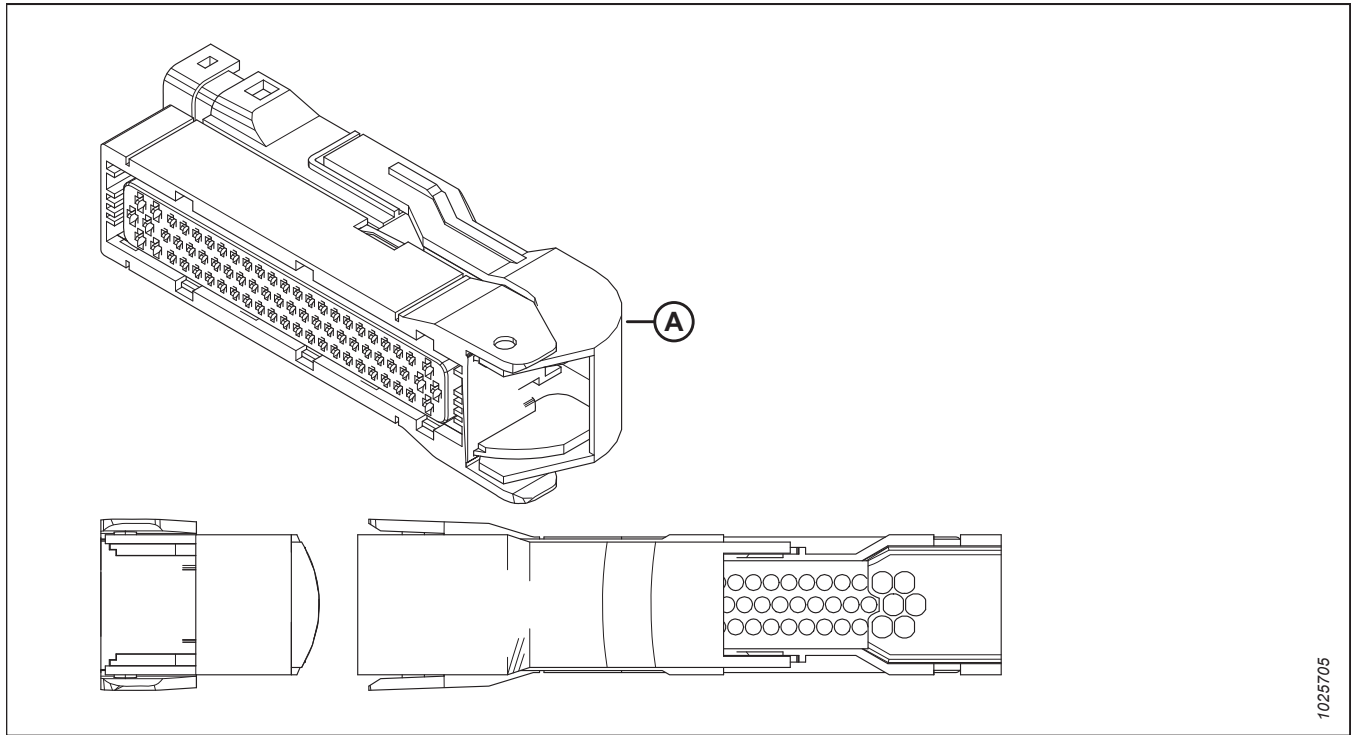
35.1



	MacDon Part #	Description	Manufacturer	Series	Manufacturer Part #
A	500520	Connector – Receptacle	Molex	34822	348220013
		Terminal			
		Lock			
		Secondary Lock			
		Seal			
		Mating Connector			
		Extraction Tool			
		Crimp Tool			
		Cavity Plug			
		Boots/Caps			

Chapter 36: 70-Position Connectors

36.1

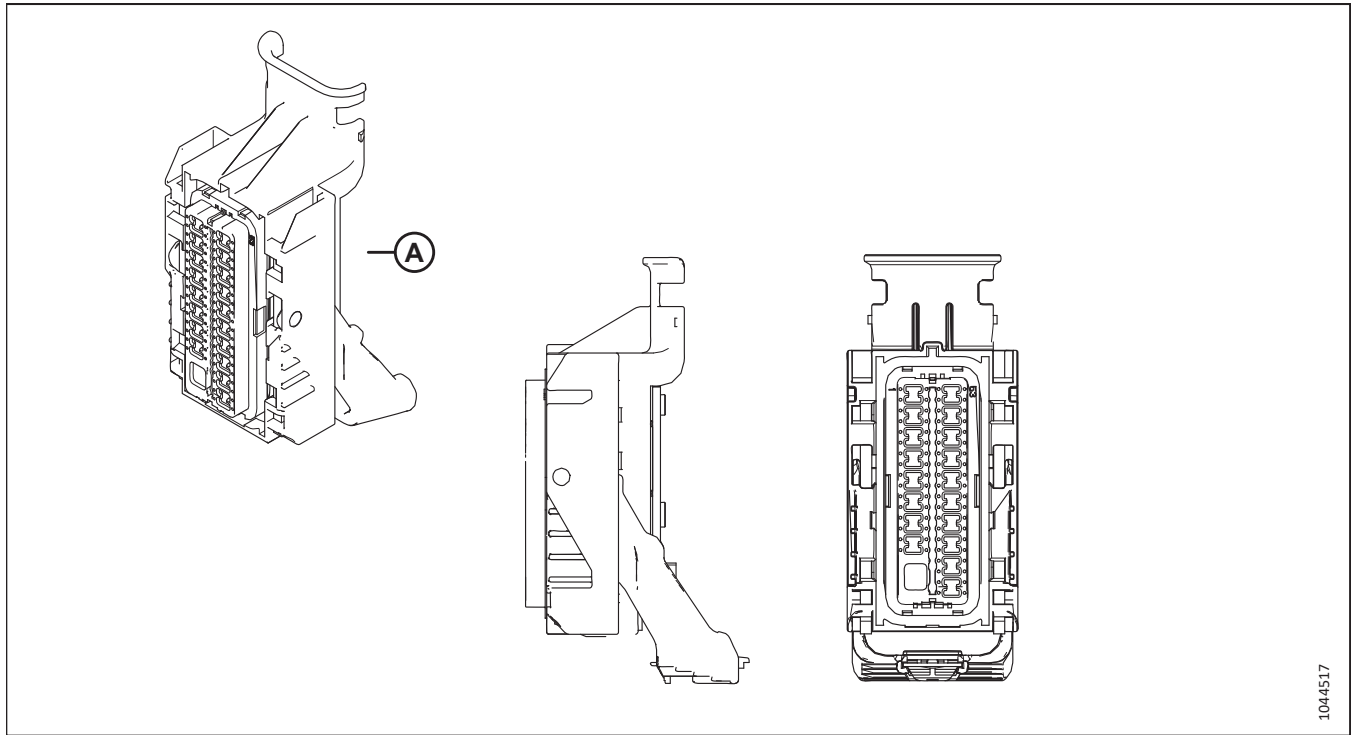


1025705

	MacDon Part #	Description	Manufacturer	Series	Manufacturer Part #
A		Connector – Receptacle	Tyco	MT2 / JPT	1-968879-1
		Terminal			
		Lock			
		Secondary Lock			
		Seal			
		Mating Connector			
		Extraction Tool			
		Crimp Tool			
		Cavity Plug			
		Boots/Caps			

Chapter 37: 73-Position Connectors

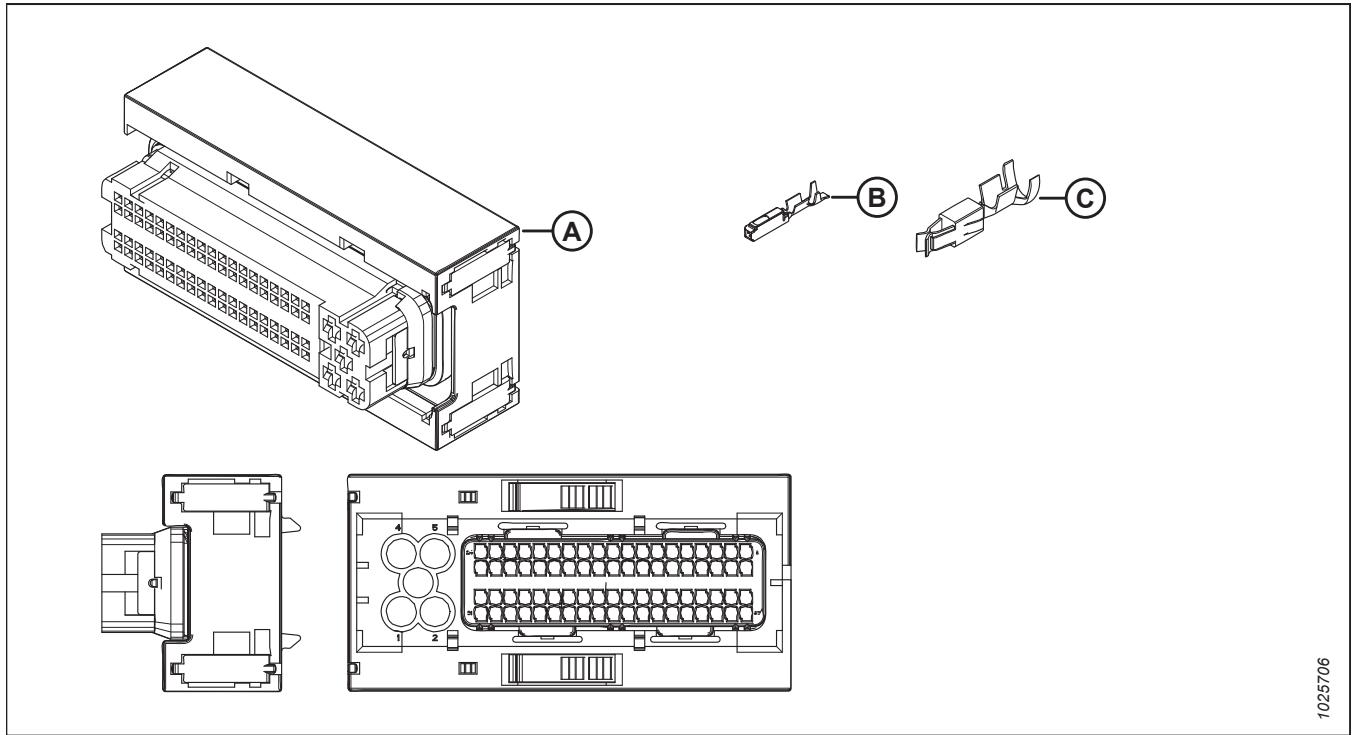
37.1



	MacDon Part #	Description	Manufacturer	Series	Manufacturer Part #
A		Connector – Receptacle	Molex	34566	345660013
		Terminal			
		Lock			
		Secondary Lock			
		Seal			
		Mating Connector			
		Extraction Tool			
		Crimp Tool			
		Cavity Plug			
		Boots/Caps			

Chapter 38: 81-Position Connectors

38.1

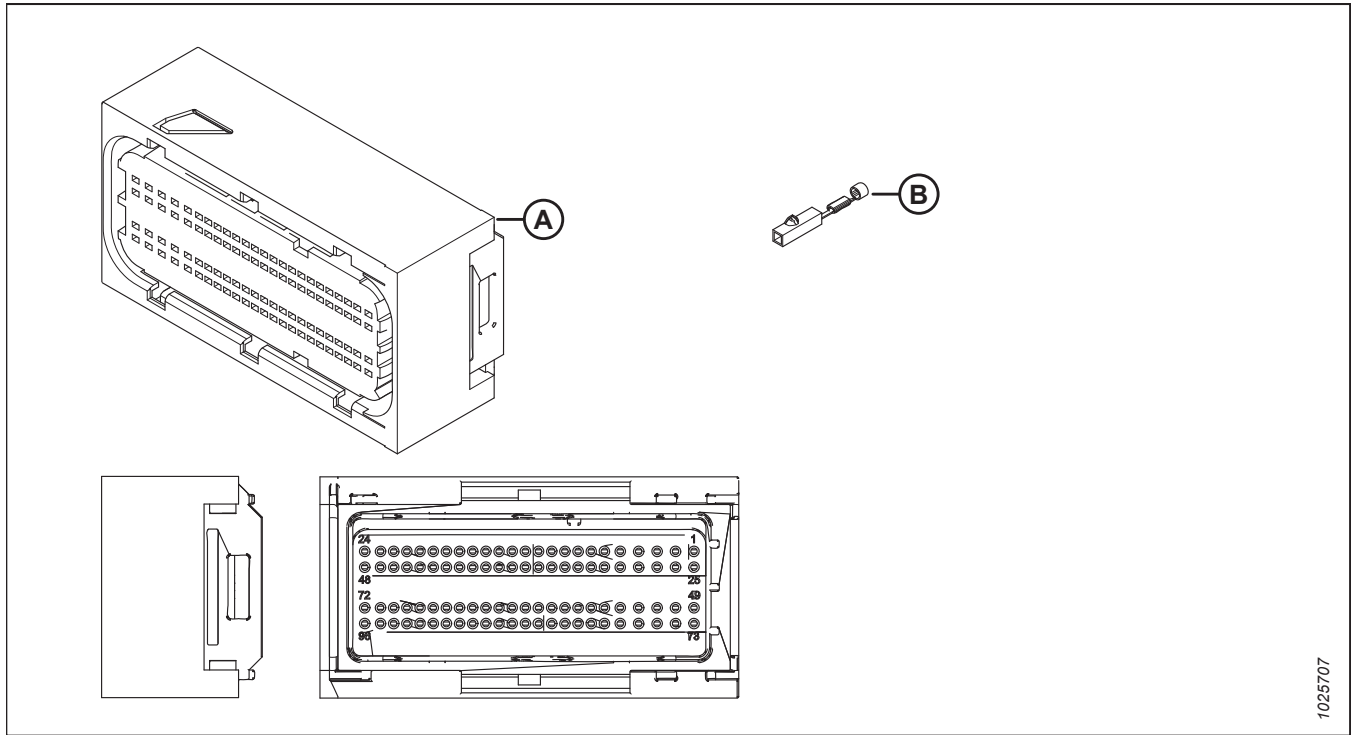


1025706

	MacDon Part #	Description	Manufacturer	Series	Manufacturer Part #
A		Connector – Plug	TE Connectivity	MQS / JPT	1473244-1
B		Terminal		MQS	968220-1, 968221-1
C		Terminal		JPT	964282-2, 964286-2, 964273-2
		Lock			
		Secondary Lock			
		Seal			
		Mating Connector			
		Extraction Tool			
		Crimp Tool			
		Cavity Plug			
		Boots/Caps			

Chapter 39: 96-Position Connectors

39.1

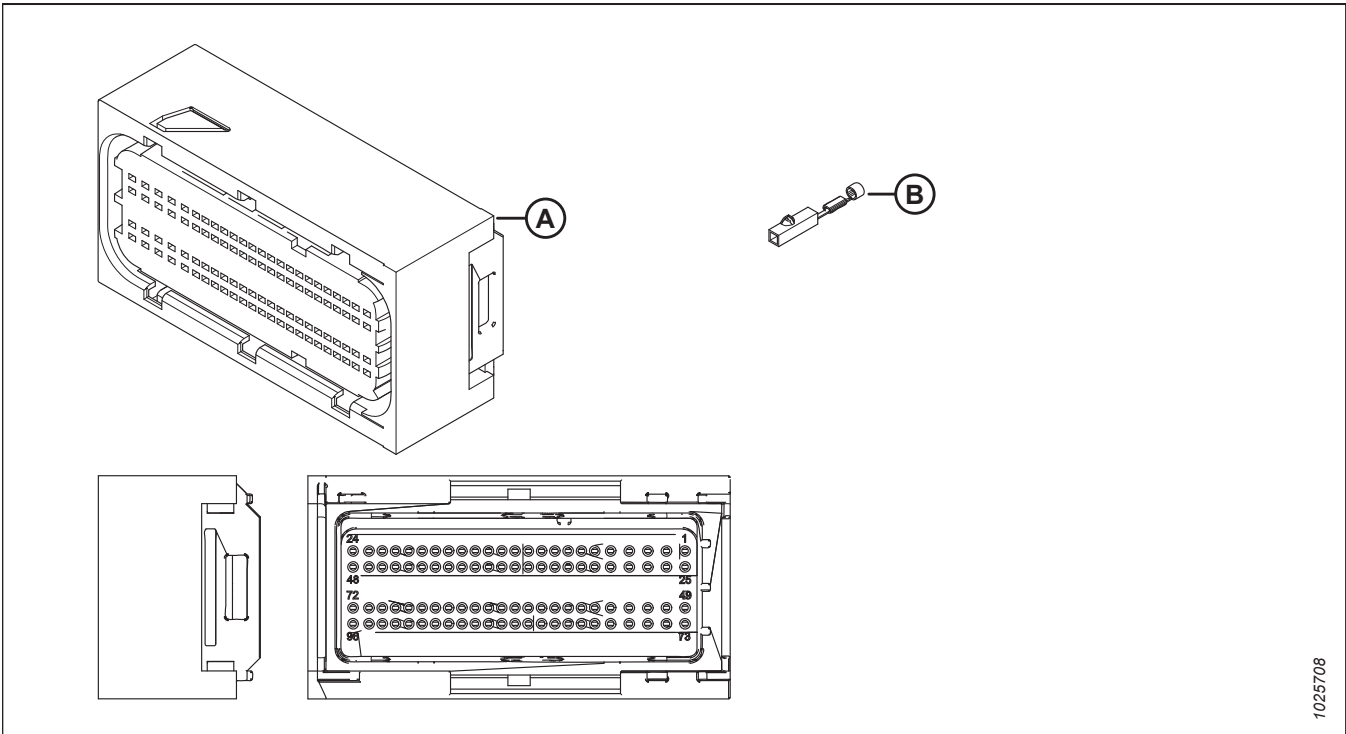


1025707

	MacDon Part #	Description	Manufacturer	Series	Manufacturer Part #
A		Connector – Plug	Delphi	CTS 1.2	13964572
B		Terminal			13627887, 13627884, 13627886
		Lock			
		Secondary Lock			
		Seal			
		Mating Connector			
		Extraction Tool			
		Crimp Tool			
		Cavity Plug			
		Boots/Caps			

96-POSITION CONNECTORS

39.2

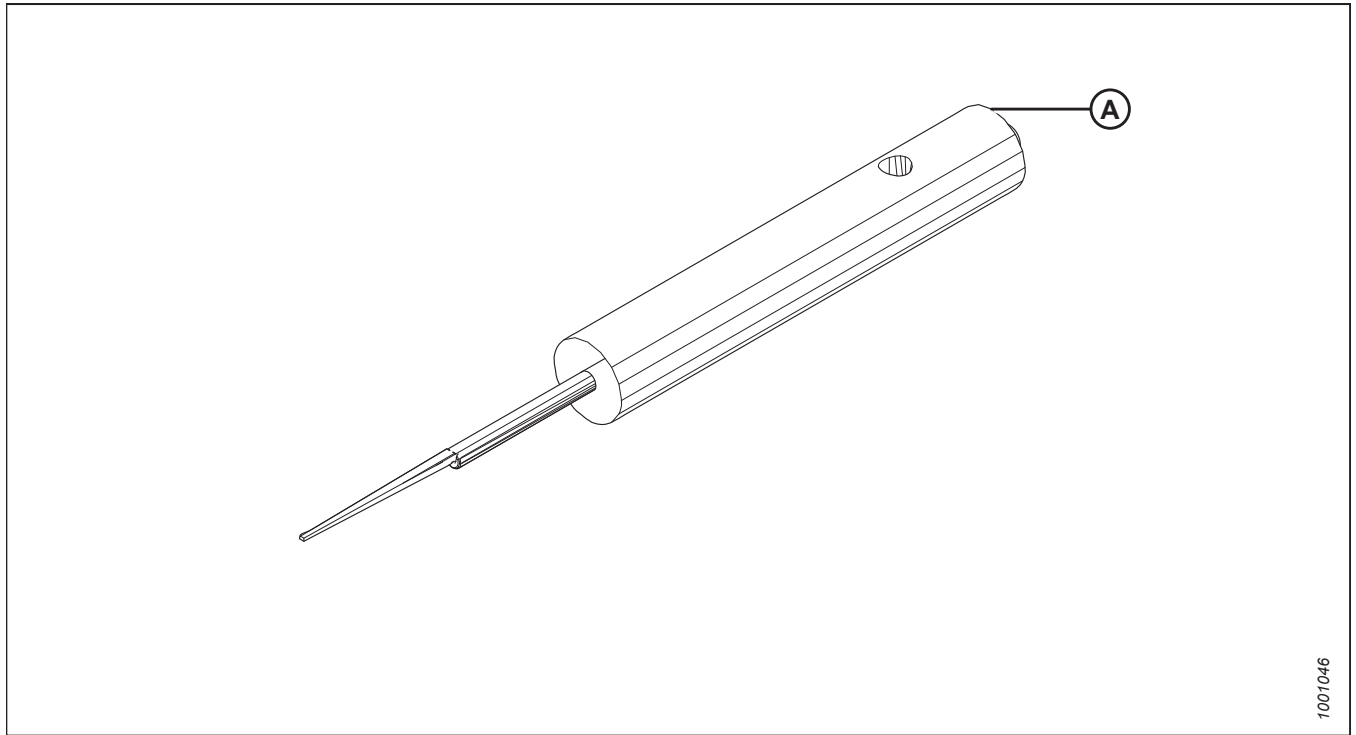


1025708

	MacDon Part #	Description	Manufacturer	Series	Manufacturer Part #
A		Connector – Plug	Delphi	CTS 1.2	13839473
B		Terminal			13627887, 13627884, 13627886
		Lock			
		Secondary Lock			
		Seal			
		Mating Connector			
		Extraction Tool			
		Crimp Tool			
		Cavity Plug			
		Boots/Caps			

Chapter 40: Extraction Tools

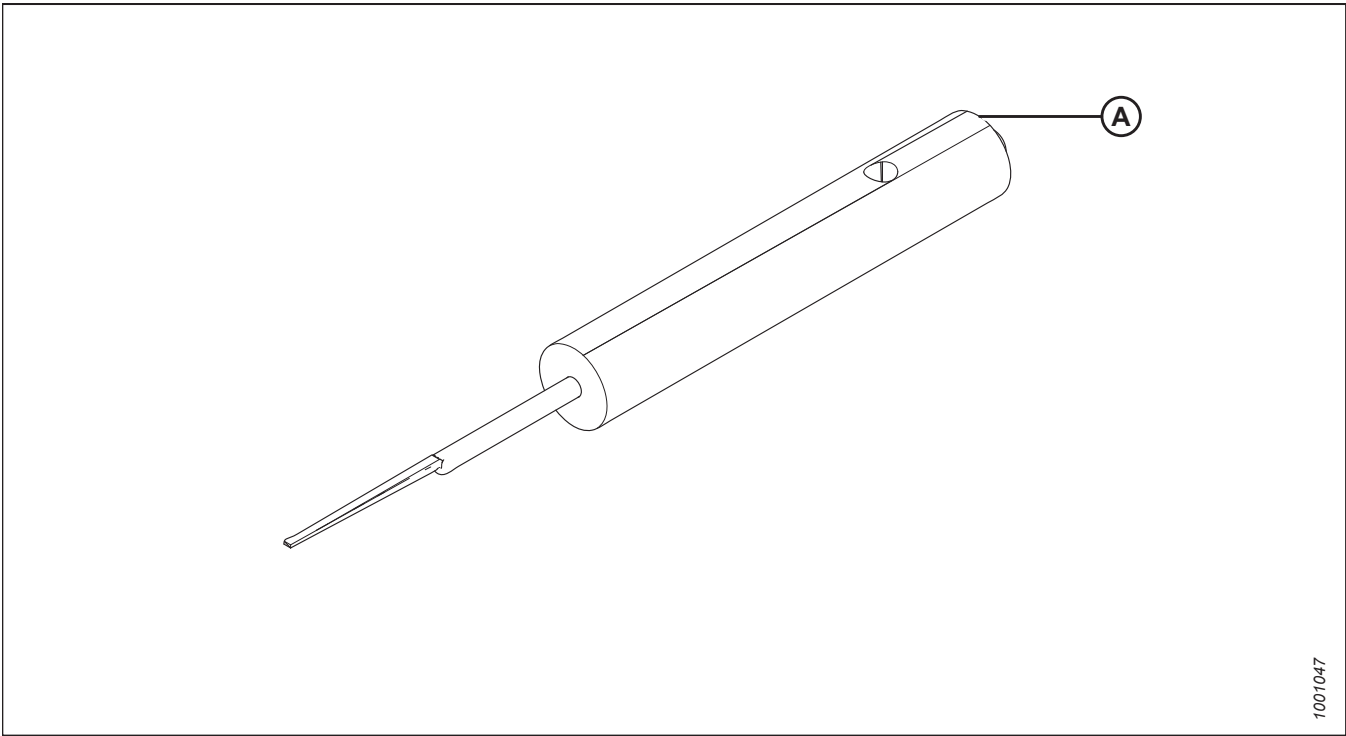
40.1



	MacDon Part #	Description	Manufacturer	Series	Manufacturer Part #
A	134158	Tool – Extraction	Delphi	M/P	12094429

EXTRACTION TOOLS

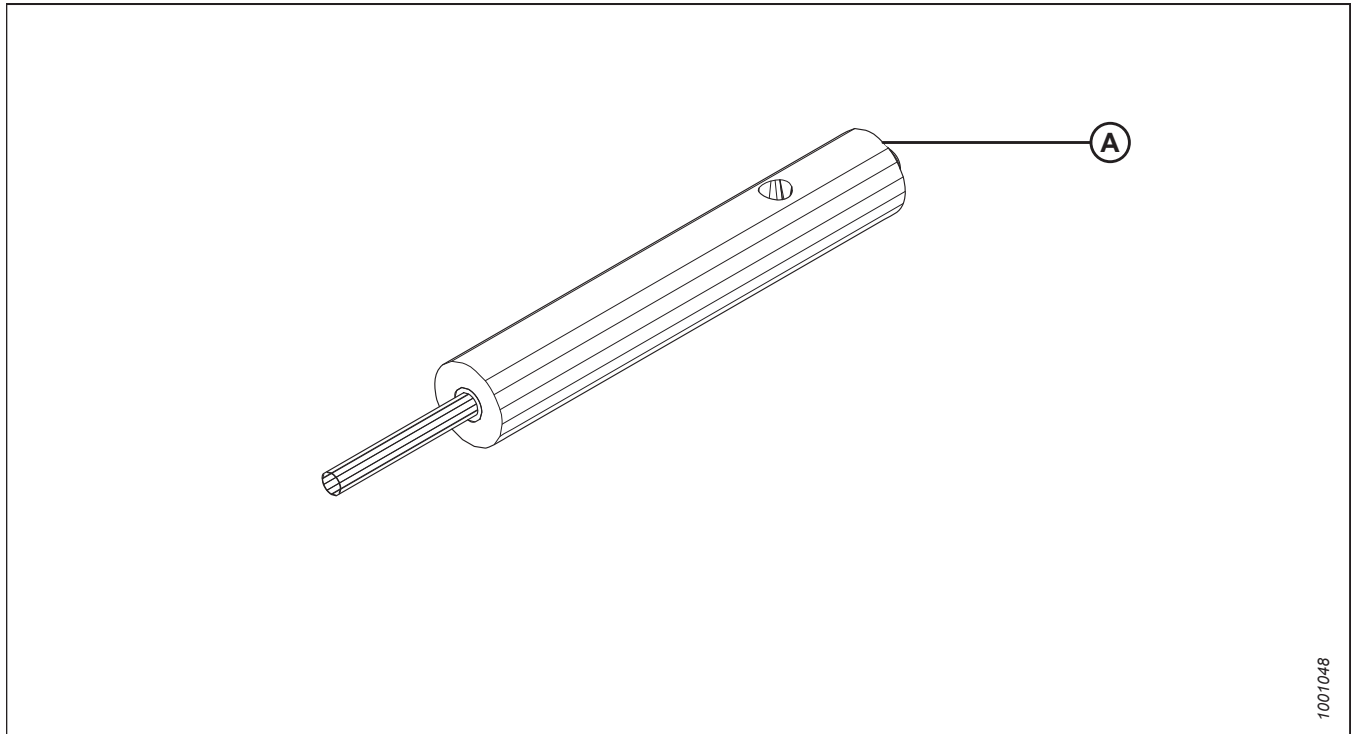
40.2



	MacDon Part #	Description	Manufacturer	Series	Manufacturer Part #
A	134159	Tool – Extraction	Delphi	56	12094430

EXTRACTION TOOLS

40.3

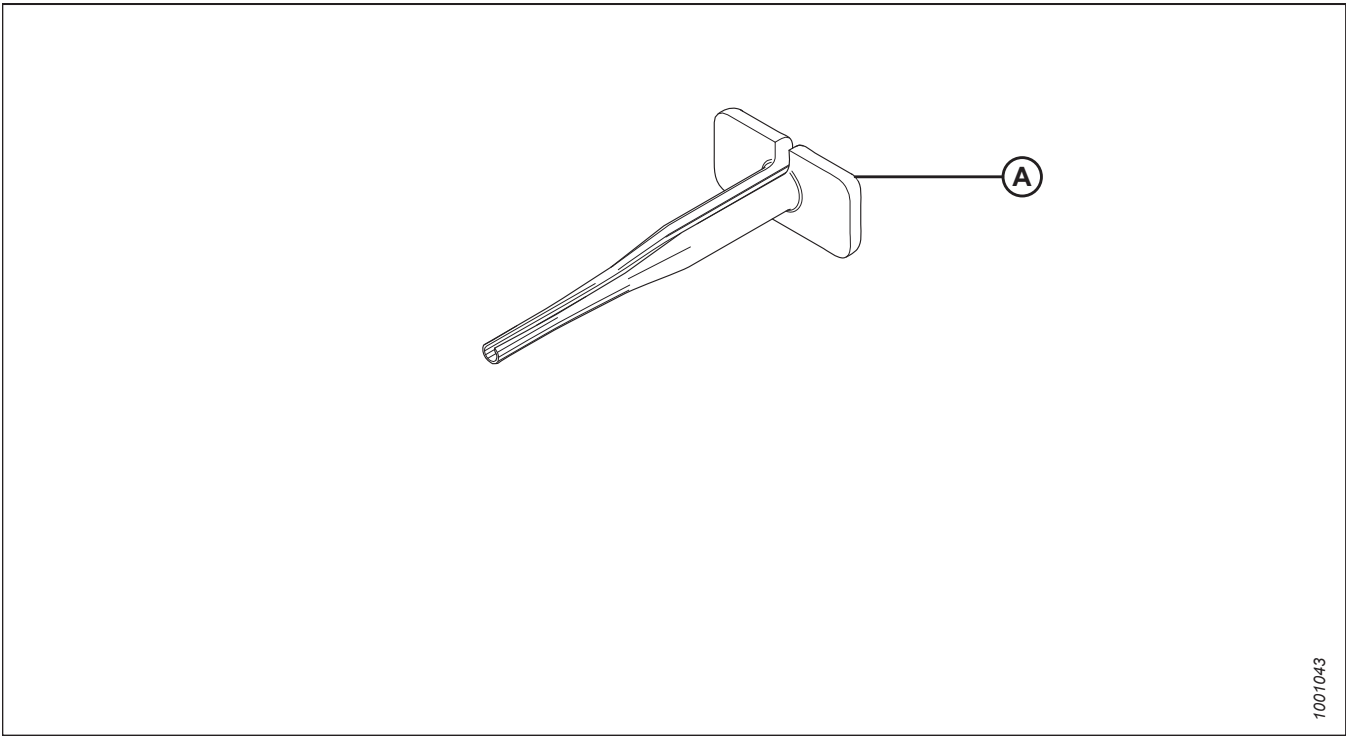


1001048

	MacDon Part #	Description	Manufacturer	Series	Manufacturer Part #
A	134160	Tool – Extraction	Delphi	W/P	12014012

EXTRACTION TOOLS

40.4

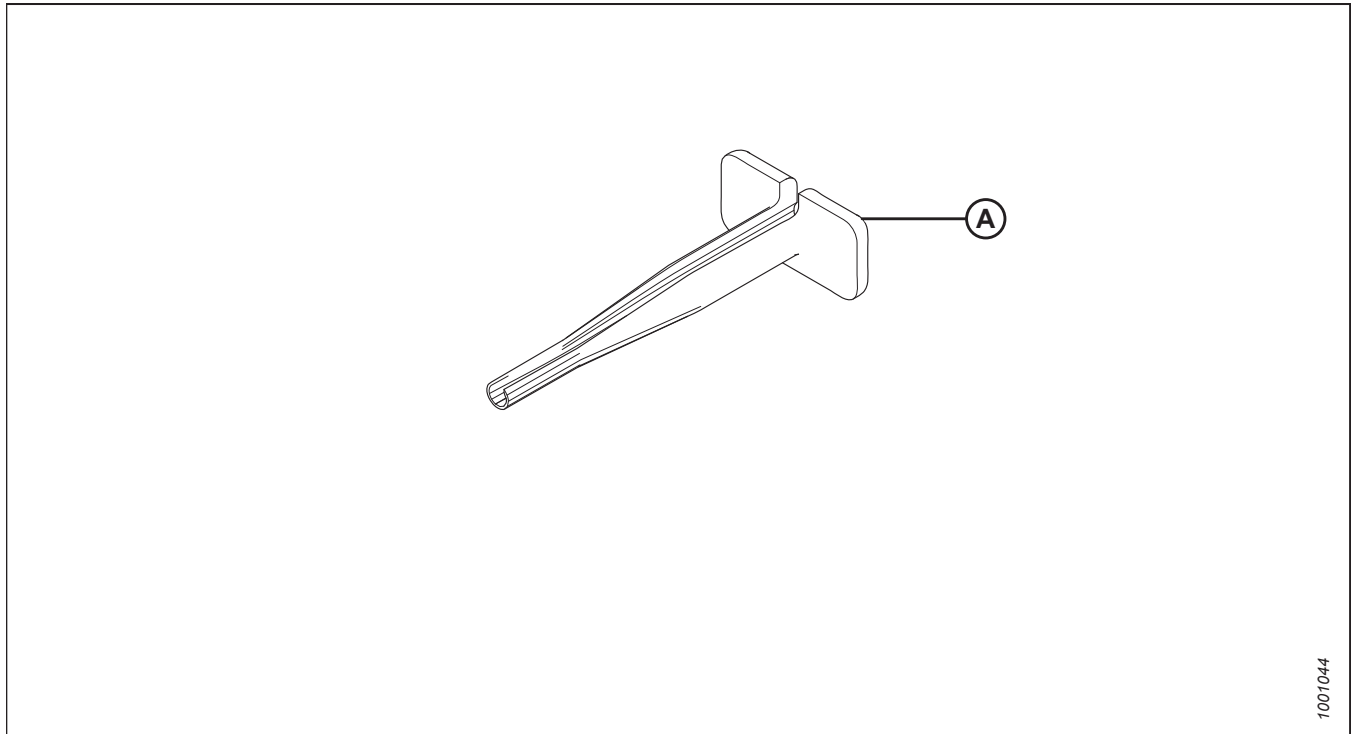


1001043

	MacDon Part #	Description	Manufacturer	Series	Manufacturer Part #
A	134012	Tool – Contact Removal (Size 20)	Deutsch		0411-240-2005

EXTRACTION TOOLS

40.5

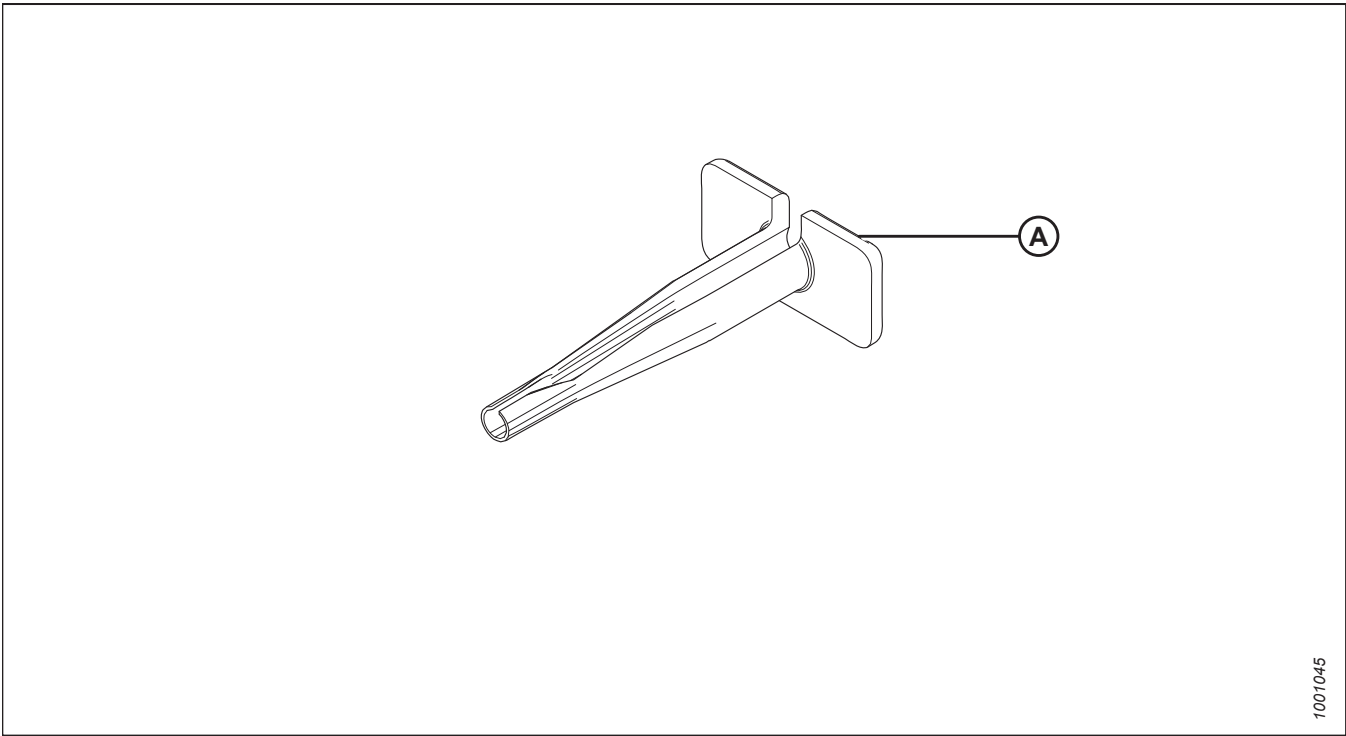


1001044

	MacDon Part #	Description	Manufacturer	Series	Manufacturer Part #
A	134013	Tool – Contact Removal (Size 16)	Deutsch		0411-310-605

EXTRACTION TOOLS

40.6

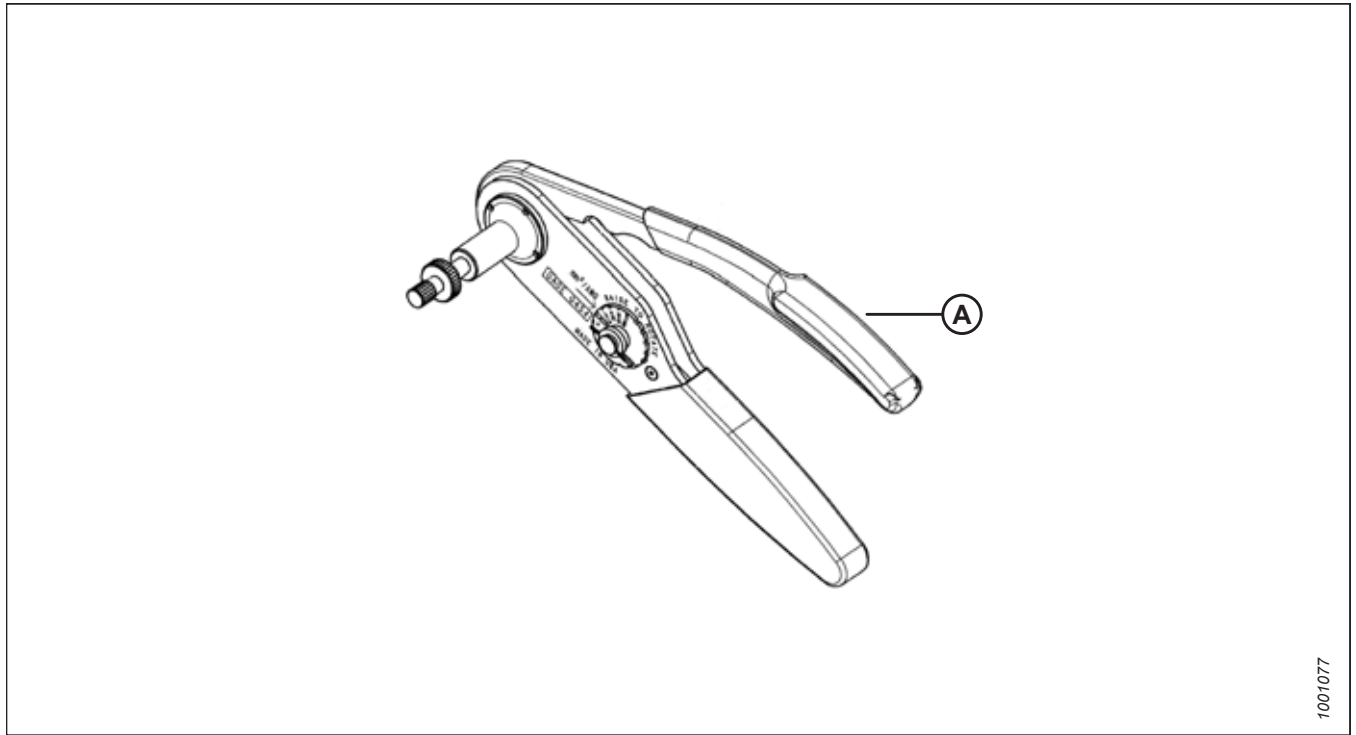


1001045

	MacDon Part #	Description	Manufacturer	Series	Manufacturer Part #
A	134014	Tool – Contact Removal (Size 12)	Deutsch		114010

Chapter 41: Crimper Tools

41.1

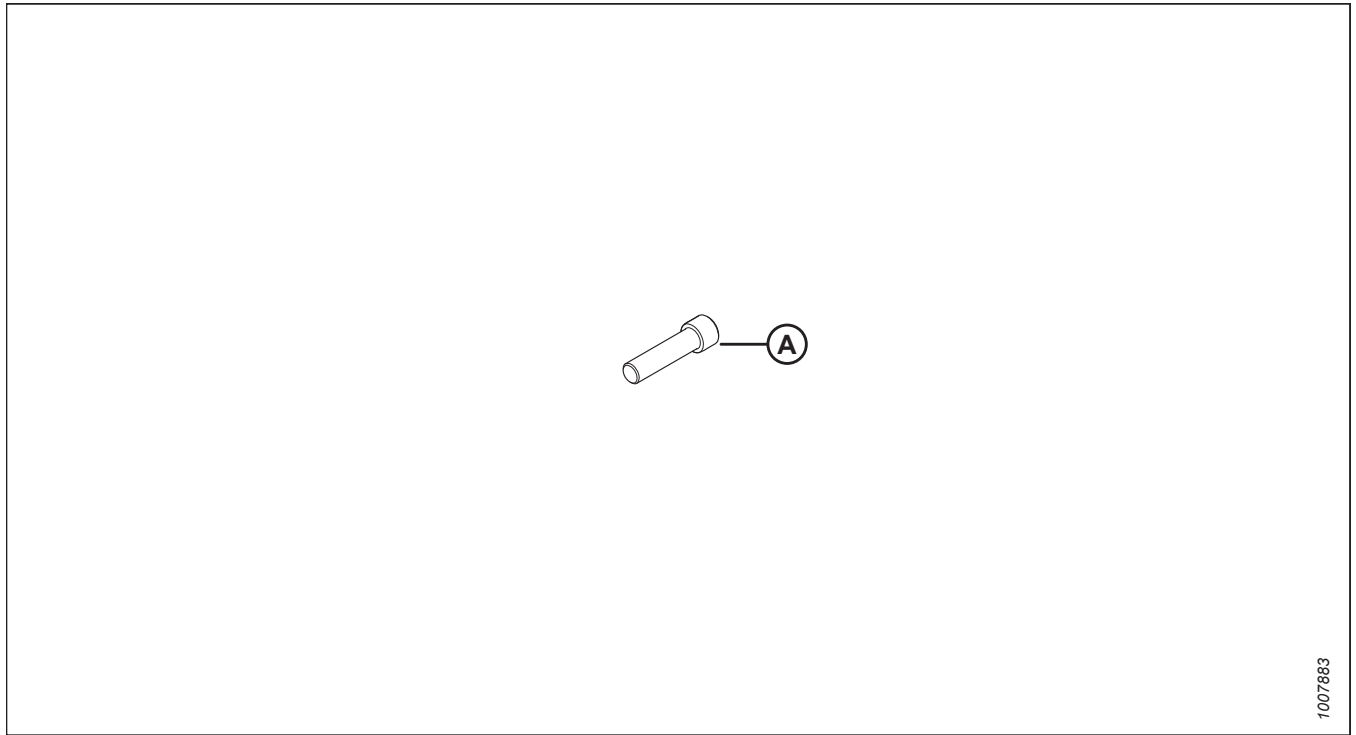


1001077

	MacDon Part #	Description	Manufacturer	Series	Manufacturer Part #
A	134015	Tool – Hand Crimp Deutsch Solid Contacts	Deutsch		HDT-48-00

Chapter 42: Cavity Plugs

42.1



1007883

	MacDon Part #	Description	Manufacturer	Series	Manufacturer Part #
A	134145	Cavity Plug (Size 12–16)	Deutsch		114017

Index

30440.....	75	134072.....	163
30461.....	194	134084.....	233
30471.....	17, 28, 75, 164	134085.....	233
30473.....	27, 74–75, 165	134087.....	72
30710.....	193	134089.....	339, 377
134008.....	323–324	134092.....	71
134009.....	323–324	134094.....	84
134010.....	312, 324	134097.....	114
134011.....	312, 324	134100.....	387
134012.....	117, 311–312, 381, 402	134105.....	221–222
134013.....	117, 233, 311–312, 381, 403	134109.....	241
134014.....	311–312, 404	134112.....	18, 25, 160–161, 197
134015.....	31–32, 80–81, 111–112, 163, 201, 241, 312, 324, 381, 385, 405	134120.....	29
134016.....	83, 118, 180, 202, 264, 266–267, 269, 271, 309, 318–320, 345–347, 349–351, 357	134121.....	29
134017.....	82, 117, 179, 186, 220, 265, 268, 270, 317, 343–344, 348, 352, 373, 381, 385	134123.....	23
134018.....	82–83	134124.....	23
134019.....	82–83	134126.....	20, 76
134020.....	83	134130.....	77
134021.....	82	134132.....	74–75
134022.....	109–110	134133.....	17, 74
134023.....	32, 81, 112–113, 163, 178, 181–182, 184, 201, 207, 216, 221, 223, 225, 227, 241, 243, 254, 256–261, 278–279, 282–283, 285, 301, 303, 309, 312, 314–315, 321, 324, 326, 328–329, 333, 337, 345–347, 349–351, 357, 361–362, 364–365, 367–368	134135.....	148–149, 234
134024.....	110, 134, 139, 210–212, 301, 303, 312, 314–315, 321, 345–347, 349–351, 357	134139.....	24, 107
134025.....	109	134140.....	107
134026.....	31, 80, 96, 111, 162, 168, 183, 185, 199, 222, 224, 242, 244, 253, 255, 262–263, 277, 280–281, 284, 291–294, 302, 304, 311, 313, 316, 322–323, 325, 327, 330–332, 343–344, 348, 352, 363, 366	134145.....	407
134027.....	109, 130, 209, 218, 302, 304, 311, 313, 316, 322, 343–344, 348, 352	134147.....	149
134028.....	31–32	134149.....	116
134029.....	31–32	134151.....	115
134030.....	32	134152.....	148
134031.....	31	134154.....	159
134032.....	111–112	134155.....	159
134033.....	111–113	134156.....	234
134034.....	112–113	134158.....	23, 29, 77, 79, 107–108, 399
134035.....	111	134159.....	18, 25, 78, 147–149, 160, 197, 234, 400
134036.....	162–163	134160.....	17, 20, 27–28, 74, 76, 401
134037.....	162, 168	134161.....	73
134038.....	241–242	134190.....	27–28
134039.....	242	134344.....	96
134041.....	81	134375.....	369
134043.....	85	134376.....	370
134044.....	221–222	134385.....	84
134045.....	72–73	134389.....	307
		134390.....	308
		134393.....	110
		134588.....	291
		134589.....	292
		134590.....	293
		134591.....	294
		134766.....	325
		135267.....	362
		135365.....	325
		135675.....	34
		252941.....	66
		500470.....	104

MacDon®

CUSTOMERS
MacDon.com

DEALERS
Portal.MacDon.com

Trademarks of products are the marks of their
respective manufacturers and/or distributors.

Printed in Canada