

MacDon®

**FC Series
FlexCorn™ Header**

Parts Catalog
262142 Revision A
Original Instruction

The Harvesting Specialists.

Table of Contents

FlexCorn

(00) Legends	1
(01) SUBFRAME	2
(02) SENSOR ASSY.	4
(03) FLEX CYLINDER AND TOP LINK	6
(04) LOWER LINK MOUNTING	8
(05) LOWER LINK ASSEMBLY	10
(06) AUGER PAN SEALS	12
(07) AUGER	14
(08) SKID SHOE ATTACHMENT	16
(09) ADJUSTABLE SKID SHOES	18
(10) FIXED SKID SHOES	20
(11) STALK CHOPPER SHIELDING	22
(12) LOWER SHIELDING	24
(13) CENTER SNOOT SUPPORT	26
(14) PLASTIC INTERIOR DIVIDERS	30
(15) ADJUSTABLE SKID SHOE DIVIDERS	34
(16) PLASTIC OUTER DIVIDERS	38
(17) TALL END DIVIDER (TED)	42
(18) ROTARY END DIVIDER	44
(19) HYDRAULIC SYSTEM	46
(20) HYDRAULIC MANIFOLD - FITTINGS	50
(21) HYDRAULIC MANIFOLD	52
(22) ACCUMULATOR VALVE BLOCK	54
(23) SNAPPING PLATE HYDRAULICS	56
(24) HYDRAULIC COMPLETION - JOHN DEERE S SERIES	58
(25) HYDRAULIC BRACKET - JOHN DEERE S SERIES	60
(26) HYDRAULIC COMPLETION - CNH	62
(27) HYDRAULIC BRACKET - CNH	64
(28) SNAPPING PLATE ADJUSTING RODS	66
(29) HYDRAULIC SNAPPING PLATE ADJUSTER	68
(30) SNAPPING PLATE INDICATOR	70
(31) OUTER DRIVE	72
(32) INPUT GEARBOX	74
(33) SNAPPING UNIT DRIVE	76

Table of Contents

FlexCorn

(34) SNAPPING UNIT WITH KNIFE ROLLS	78
(35) SNAPPING UNIT GEARBOX FOR KNIFE-ROLL ROW UNIT	82
(36) SNAPPING ROLL	86
(37) STALK CHOPPER	88
(38) GATHERING CHAIN ADJUSTER	92
(39) SIDE-SHIELDS	94
(40) MOUNTING KIT: CNH 7/8010, 7/8020, 7/8/9120, 130/230, AND 140,150,240,250 SERIES, CR AND CX	96
(41) MOUNTING KIT: JD	98
(42) ELECTRICAL	100
(43) LIGHTING	102
(44) AUTOMATIC HEADER HEIGHT CONTROL (AHC)	104
(45) AUTOMATIC HEADER HEIGHT CONTROL (AHC) ELECTRICAL MOUNTING	106
(46) ROW GUIDANCE	108
(47) ROW GUIDANCE ELECTRICAL MOUNTING	110
(48) PROGRAMMING KIT	112
(49) DECALS - WARNING	114
(50) DECALS - MODEL	116
(51) SHIPPING ACCESSORIES	118
(52) TORQUE VALUES FOR FASTENERS	120
(53) TORQUE VALUES FOR HYDRAULIC FITTINGS	121

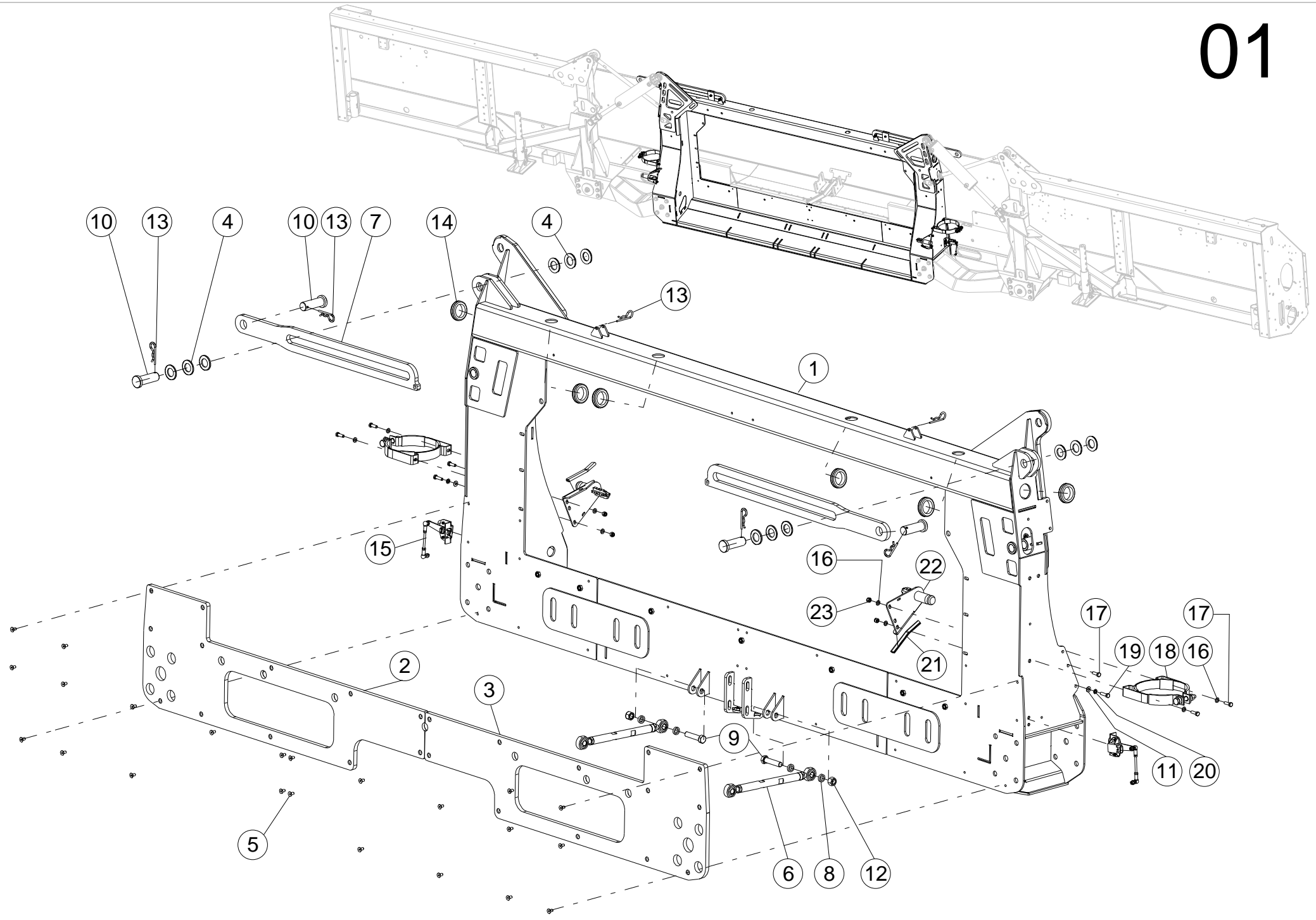
The side of the year on which the arrow (->) appears determines whether the part is used "up to" or "after" the serial number given.

Example:

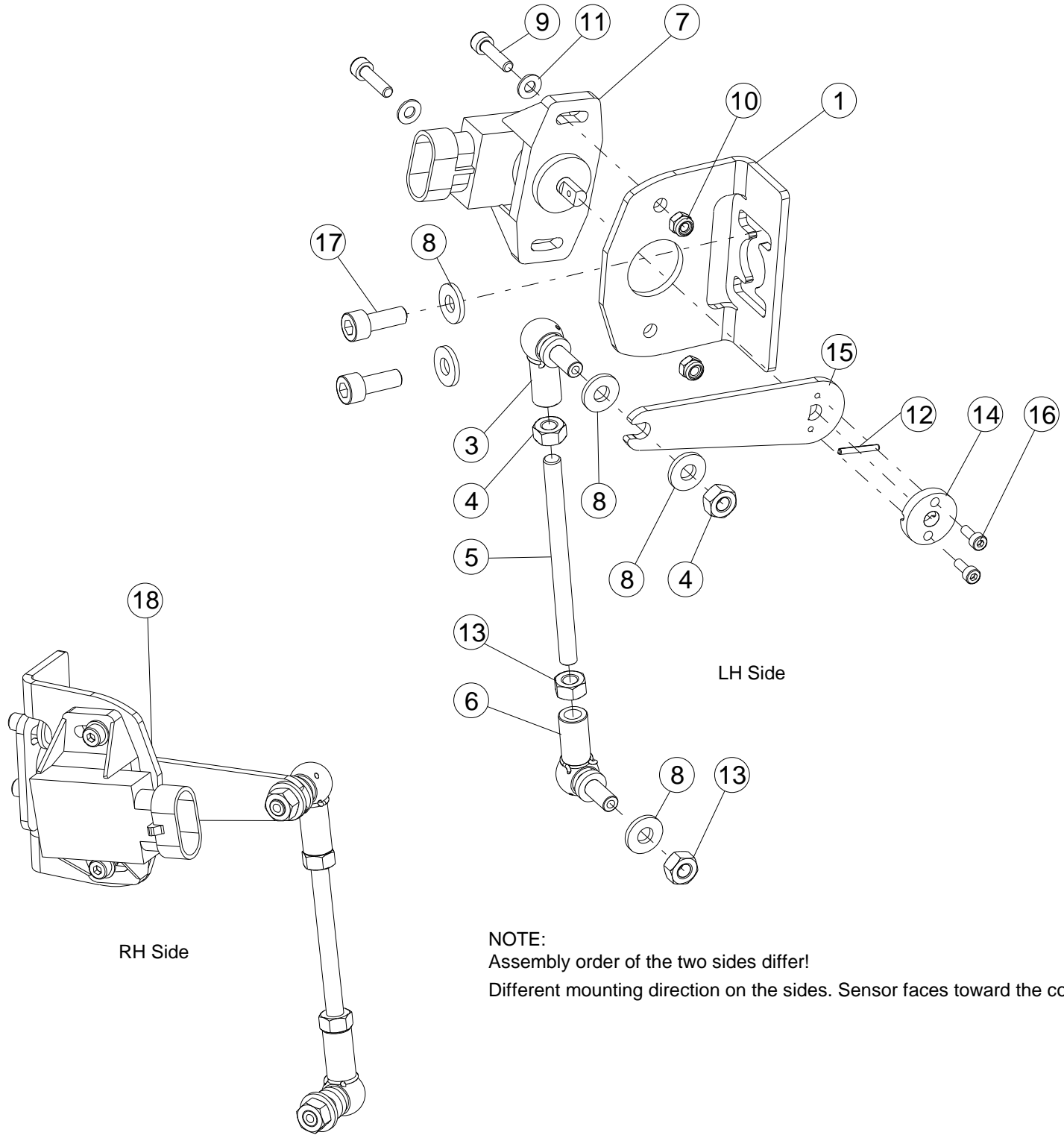
- ->2023 Used on machines up to and including model year 2023
- 2024-> Used on machines including and after Model year 2024

In this catalog, right and left are determined from the operator's seated position in the combine. An arrow is sometimes used in illustrations to indicate forward position.

NSS = Not Sold Separately



Ref.	Part number	Description		
1.	1.380.550	Central frame welded		1
2.	1.380.579	Wear plate - RH		1
3.	1.380.578	Wear plate - LH		1
4.	71428000060	Washer - M28 - DIN125		12
5.	80408001666	Hex socket countersunk-head bolt - M8X16 - DIN7991/8.8		23
6.	1.380.519	Draft link		2
7.	1.380.038	Lock link		2
8.	1.380.484	Shim		4
9.	79316007066	Hex bolt - M16X70 - DIN931/8.8		2
10.	1.380.164	Pin		4
11.	73508000066	Hex nut - M8 - DIN934		2
12.	70716000066	Lock nut - M16 - DIN980/8.8		2
13.	96767374961	Spring pin - D=4.5mm		6
14.	1.369.046	Grommet - 50.8 x 6.4 mm		6
15.	NSS	Sensor assy.	See "SENSOR ASSY." for details.	2
16.	71309000070	Washer - A8 - DIN126		8
17.	79408002566	Hex head screw - M8X25 - DIN933/8.8		6
18.	277495	CLAMP-ACCUMULATOR SUPPORT		2
19.	79408003066	Hex bolt - M8X30 - DIN933/8.8		2
20.	72208000060	Spring washer - M8 - DIN128/A		2
21.	96720070601	Strip 1-4,5mm (/m)		2
22.	1.380.609	Driveline Holder 6T/21T		2
23.	74900800066	Lock nut - plastic insert - M8 - DIN982/8		4

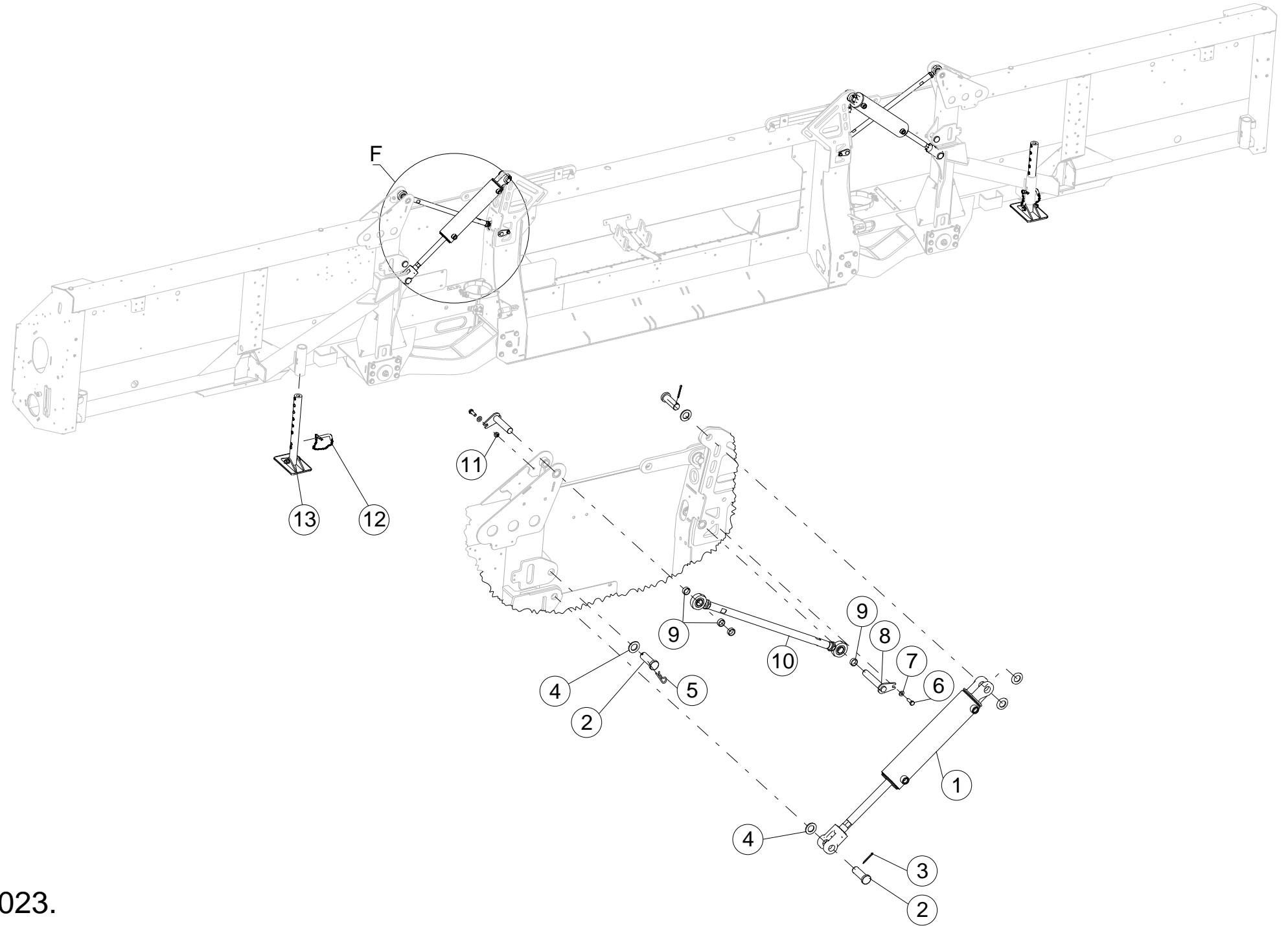


RH Side

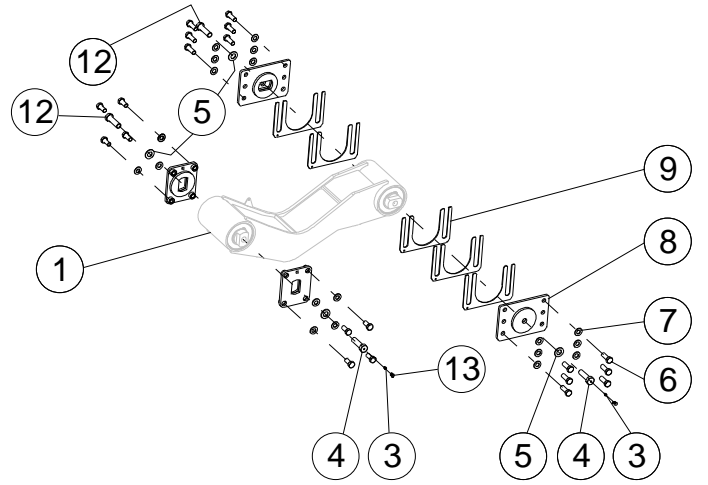
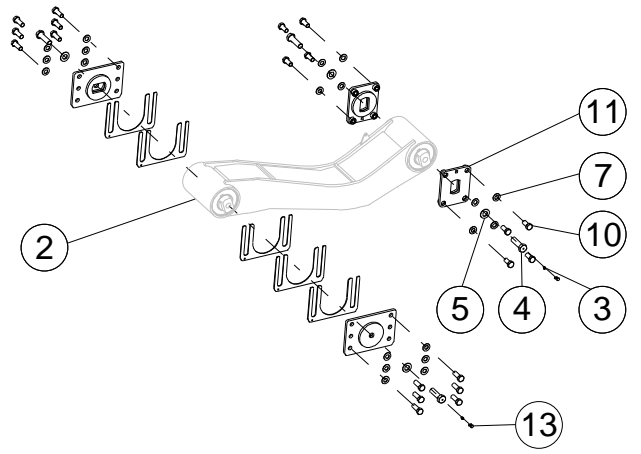
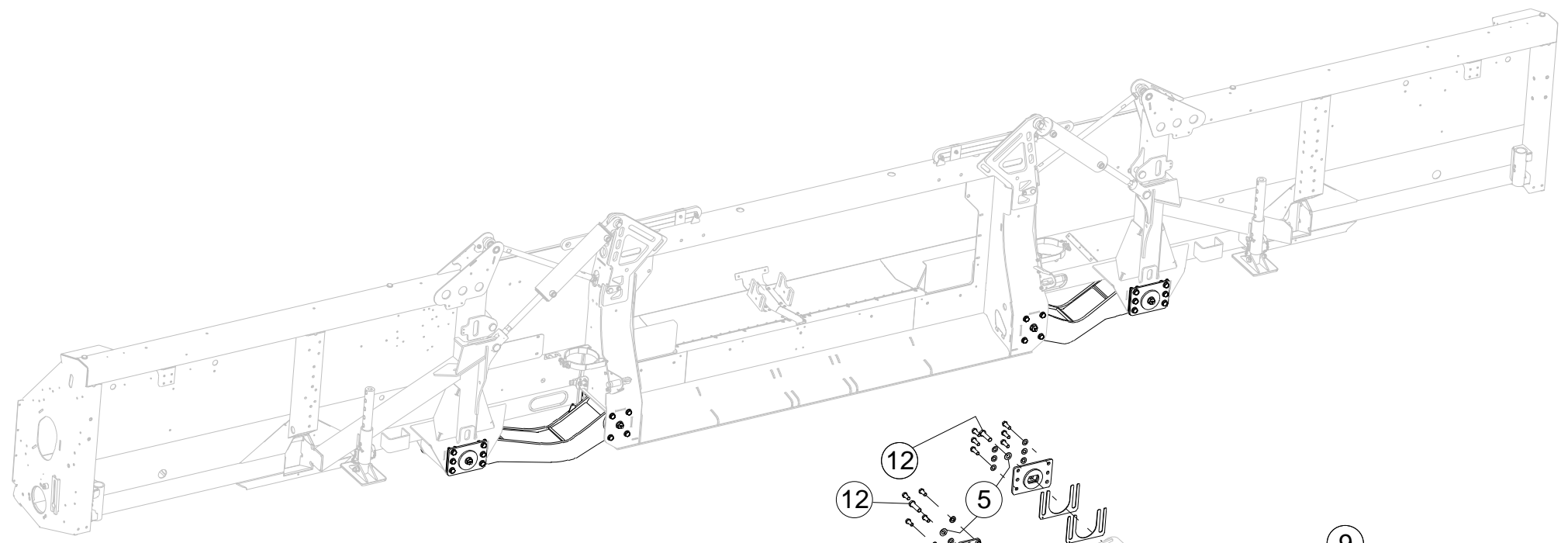
LH Side

NOTE:
 Assembly order of the two sides differ!
 Different mounting direction on the sides. Sensor faces toward the combine on RHS.

Ref.	Part number	Description		
1.	1.380.342	Sensor holder		1
2.	1.380.343	Arm		1
3.	87000100000	Elbow ball joint M6x1		1
4.	73506000066	Hex nut - M6 - DIN934		2
5.	1.380.166	Threaded rod		1
6.	87001000000	Elbow ball joint M6x1 - LH		1
7.	96799585520	Rotation detector		1
8.	91623938661	Lock washer - 6X14 - A6		5
9.	80204001666	Hex socket head bolt - M4X16 - DIN912/8.8		2
10.	74904000066	Hex nut - plastic insert - M4 - DIN985		2
11.	71404000060	Washer - M4 - DIN125		2
12.	73002001601	Roll pin - 2X16 - DIN1481		1
13.	73506000066B	Lock nut - M6 - DIN934		2
14.	1.371.820	Retainer		1
15.	1.380.611	Arm		1
16.	81103000866	Hex socket button-head screw - M3X8 - ISO7380/8.8		2
17.	80206001666	Hex socket head bolt - M6X16 - DIN912/8.8		2
18.	NSS	Sensor assy.		2

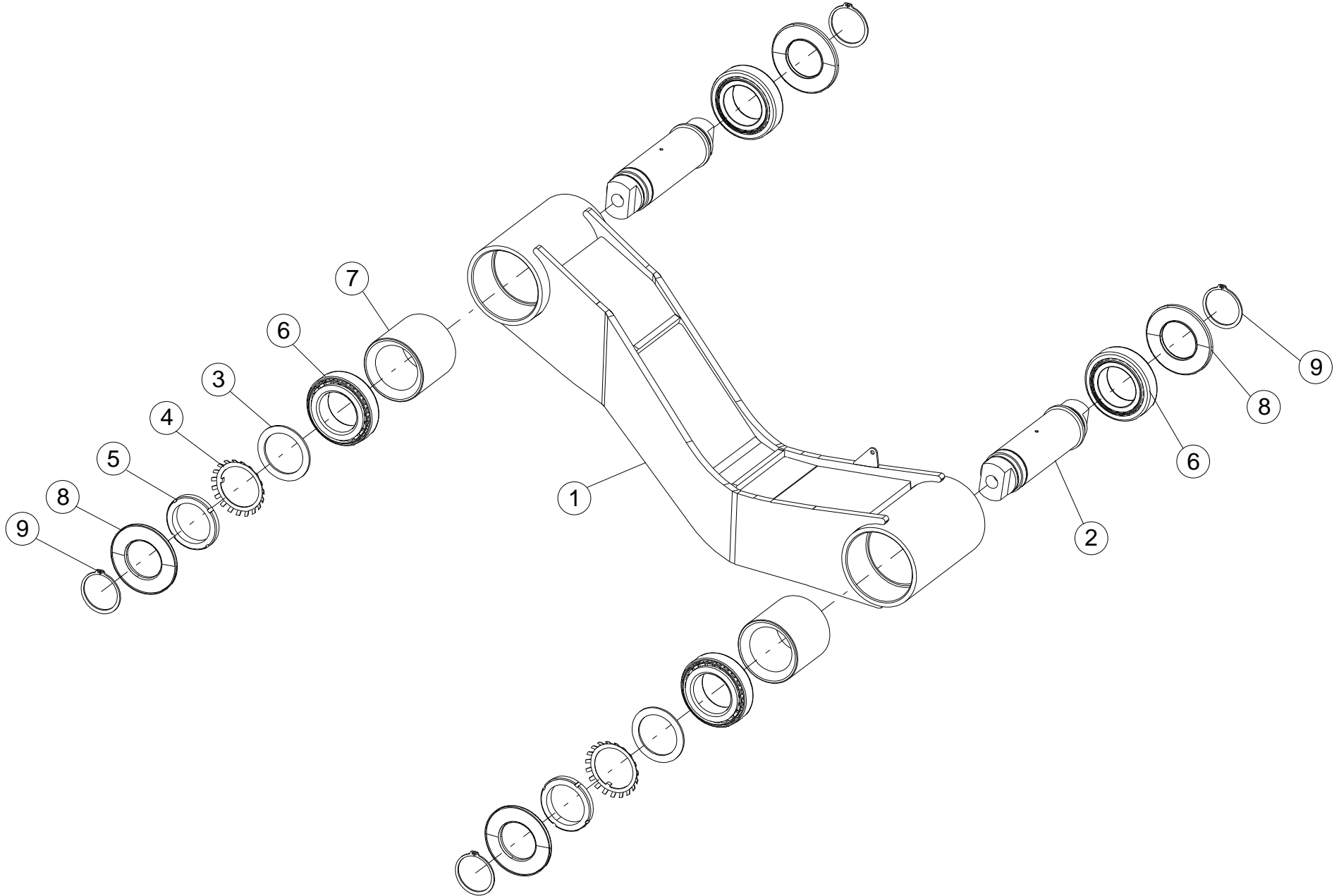


Ref.	Part number	Description		
1.	349126	Flex cylinder		2
1.	364804	Seal kit		2
2.	1.380.164	Pin		6
3.	72405004560	Cotter pin - 5X45		4
4.	71428000060	Washer - M28 - DIN125		10
5.	96767374961	Spring pin - D=4,5mm		2
6.	79410003066	Hex bolt - M10X30 - DIN933/8.8		4
7.	91623938861	Spring washer - 10,2X22,25X1,6 - A10		4
8.	1.380.043	Shaft welded		4
9.	1.380.443	Spacer		8
10.	1.380.520	Top link		2
11.	74901000066	Lock nut - plastic insert - M10 - DIN982/8		2
12.	1.378.446	Safety pin		2
13.	1.372.872	Header stand		2

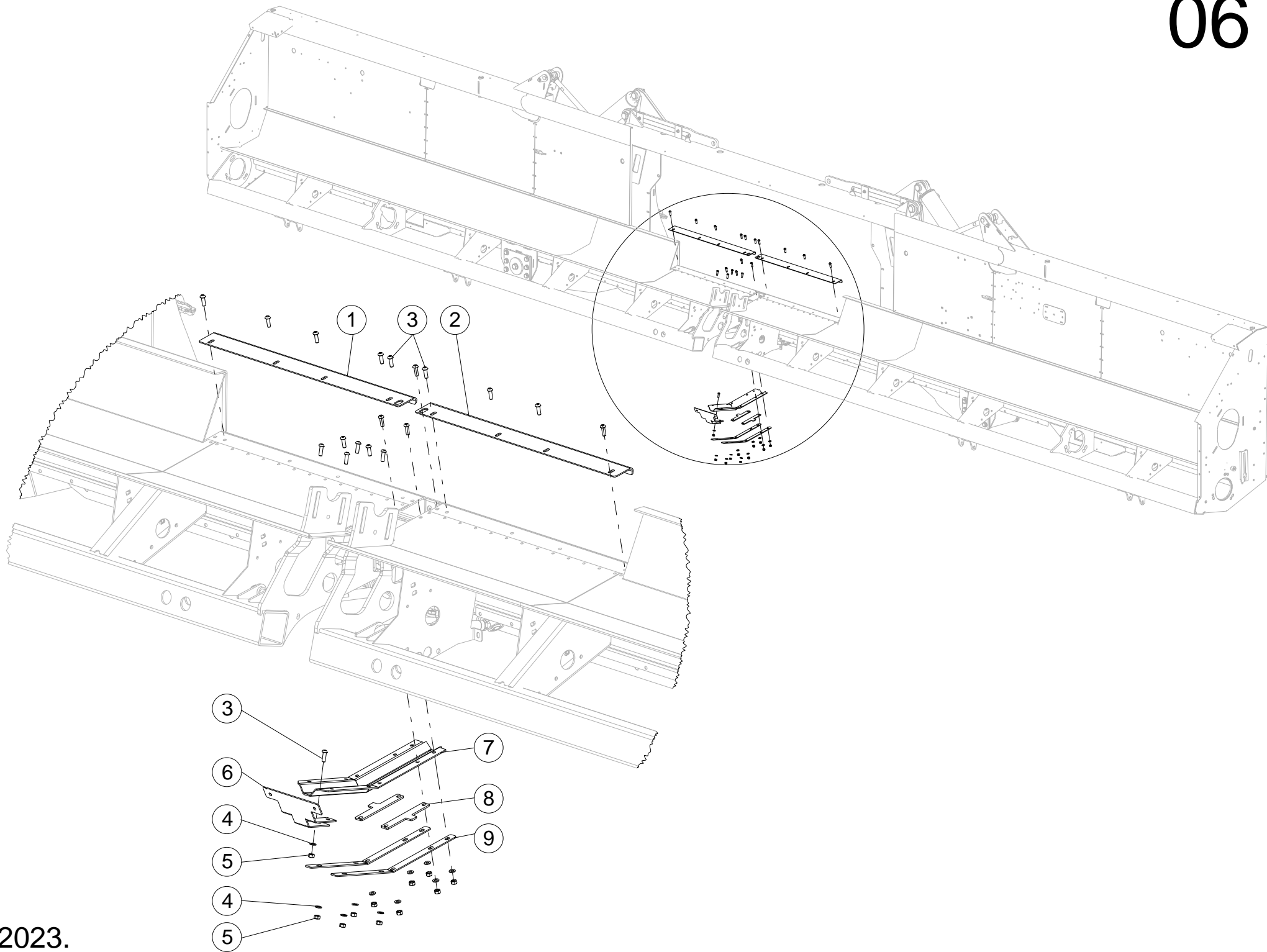


Ref.	Part number	Description		
*1.	NSS	See "See Lower Link Assembly" for details.		1
*2.	NSS	See "See Lower Link Assembly" for details.		1
3.	70006001062	Grease zerk - M6X1X180		4
4.	1.380.614	Greasing bolt		4
5.	91604012000	Spring washer - A20		8
6.	79416004563	Hex bolt - M16X45 - DIN931/10.9		24
7.	91623939161	Spring washer - A16		40
8.	1.380.145	Lower arm console		4
9.	1.380.161	Spacer - bracket		10
10.	79416003566	Hex bolt - M16X35 - DIN933/8.8		16
11.	1.380.044	Lower console welded		4
12.	79320007063	Hex bolt - M20x65x46 - DIN931/10.9		4
13.	97313256500	Grease zerk cap		4

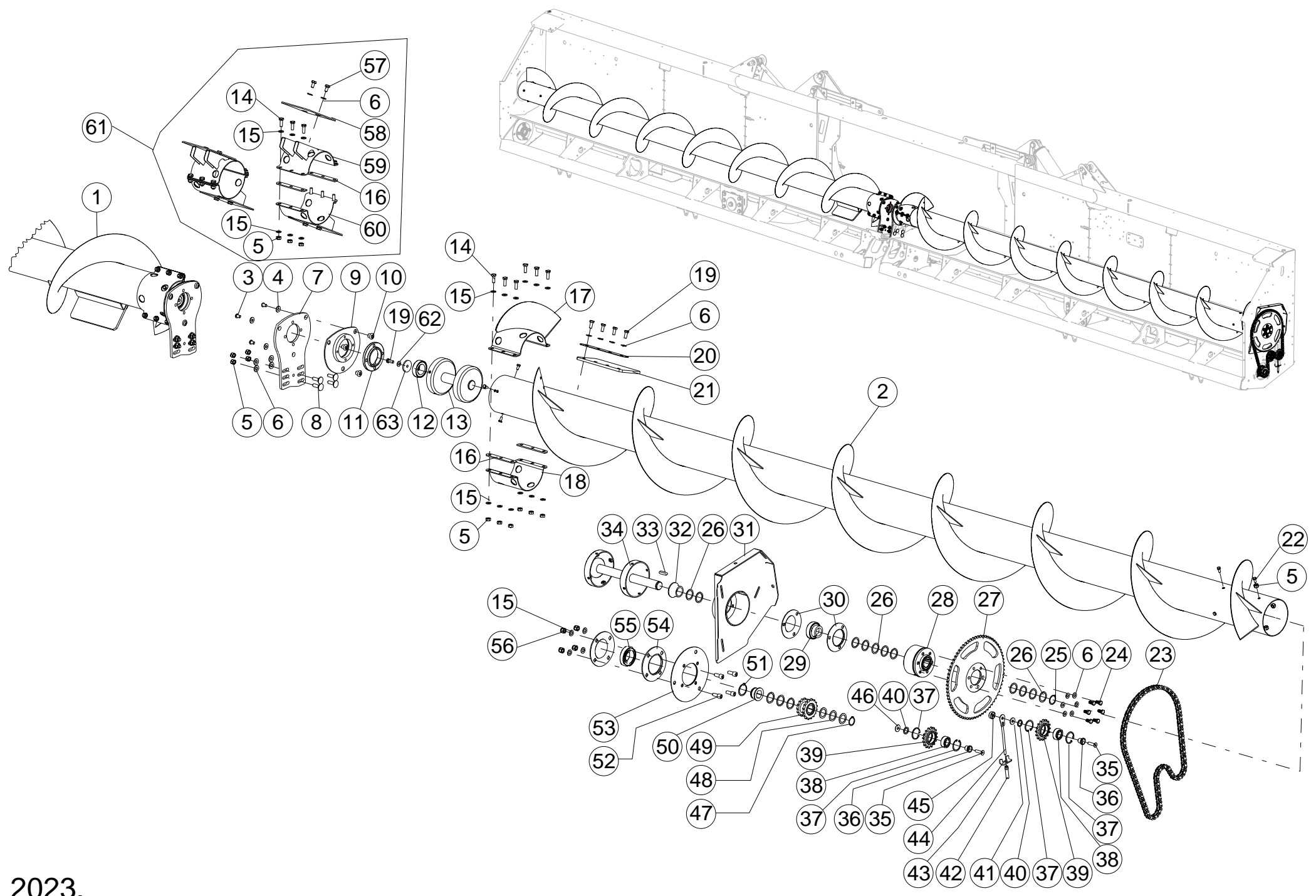
Note: * See "Lower Link Assembly" for details.



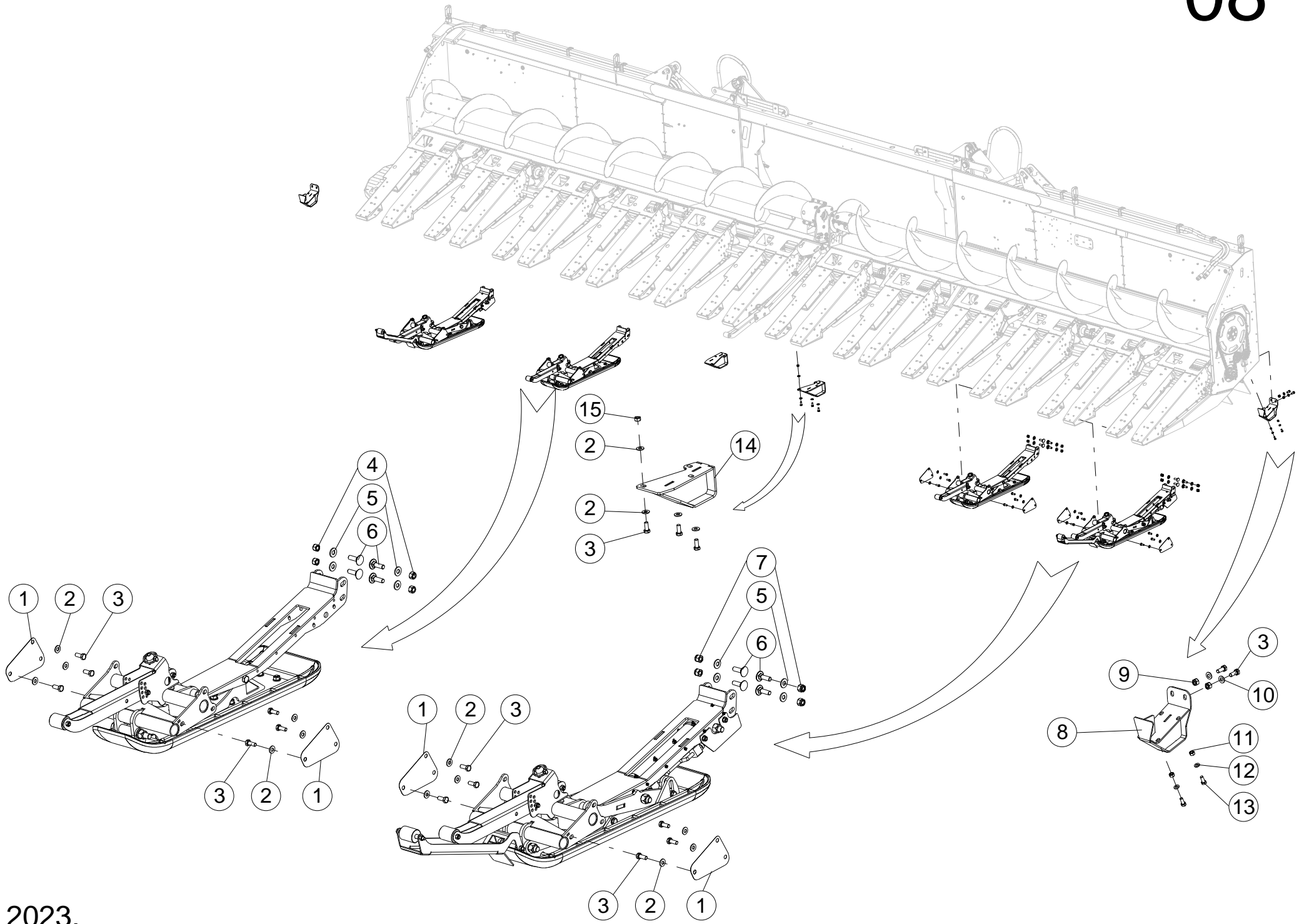
Ref.	Part number	Description		
1.	1.380.128	Lower arm welded - LH		1
1.	1.380.129	Lower arm welded - RH		1
2.	1.380.151	Shaft, lower arm		2
3.	1.380.152	Washer		2
4.	96732462100	Retainer washer W-14		2
5.	96732462000	Bearing nut N-14		2
6.	87000324622	Bearing - tapered roller		4
7.	1.380.613	Filler		2
8.	87213035789	Two piece seal		4
9.	70200006501	Retainer ring - DIN471		4



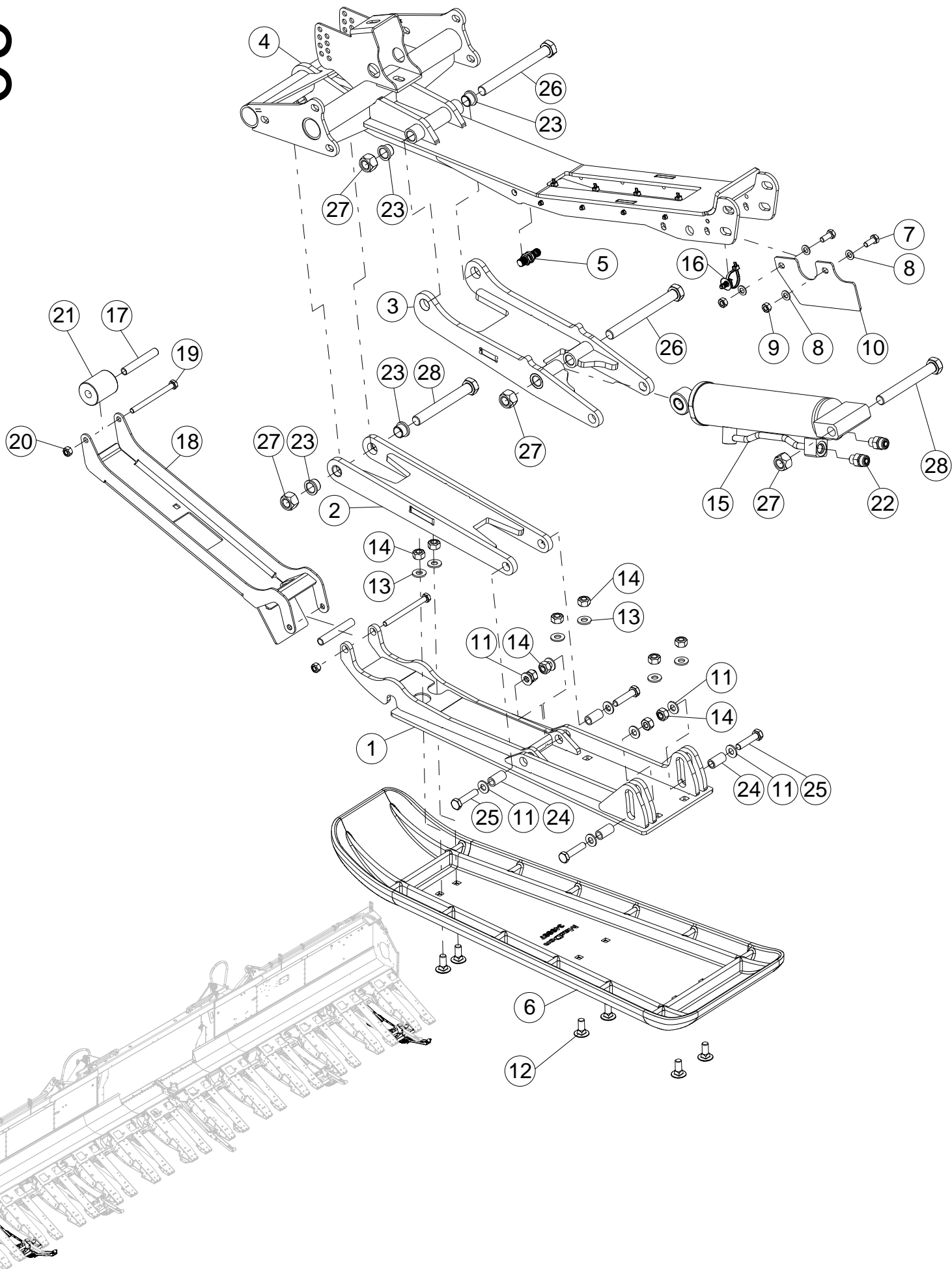
Ref.	Part number	Description		
1.	1.380.486	Sealing plate - RH		1
2.	1.380.485	Sealing plate - LH		1
3.	81108002563	Hex socket button-head screw - M8X25 - ISO7380 10.9		19
4.	71408000060	Washer - M8 8,4X16X1,6 - DIN125		11
5.	70708000066	Lock nut - M8 - DIN980		11
6.	1.380.162	Front auger pan seal		1
7.	1.380.163	Rear auger pan seal		1
8.	1.380.268	Plate		2
9.	1.380.221	Retainer plate		1



Ref.	Part number	Description		
1.	1.380.333	Auger welded - RH	12R	1
1.	1.380.121	Auger welded - RH	16R	1
2.	1.380.332	Auger welded - LH	12R	1
2.	1.380.118	Auger welded - LH	16R	1
3.	81110001666	Hex socket button-head screw - M10X16 - ISO7380/10.9		6
4.	1.379.488	Washer		6
5.	70712000066	Lock nut - VM12 - DIN980		34
6.	91623938961	Spring washer - A12		36
7.	1.380.459	Auger Support - Center		2
8.	76312004066	Carriage bolt - M12X40 - DIN603/8.8		8
9.	1.379.485	Disc welded		2
10.	1.379.487	Nut		6
11.	676.304	Bearing housing		2
12.	87000013556	Y-bearing - GRAE35-NPP-B		2
13.	1.304.893	Auger shaft welded		2
14.	79410003066	Hex bolt - M10X30 - DIN933/8.8		24
15.	71410000060	Washer - M10 10,5X21X2 - DIN125		44
16.	1.372.926	Strap		8
17.	1.380.123	Auger flight extension welded - LH		2
18.	1.372.920	Half filler - LH		2
19.	79410002566	Hex bolt - M10X25 - DIN933/8.8		10
20.	1.377.726	Strap		2
21.	1.372.944	Rubber plate		2
22.	79408001666	Hex head screw - M8X16 - DIN933/8.8		4
23.	1.378.523	Chain 53 links #50		2
24.	79410020643	Hex bolt - M10X20 - DIN933		12
25.	70200003501	Retaining ring - external - 35X1.5 - DIN471		2
26.	1.309.011	Shim		22
27.	1.377.271	Sprocket		2
28.	1.377.164	Safety clutch - Walterscheid		2
29.	87000003556	Y-bearing - RAE 35 NPPB		2
30.	87300007215	Flangette, Bearing Input - PF-72 SKF		4
31.	1.377.453	Bracket welded - LH		1
31.	1.377.454	Bracket welded - RH		1
32.	1.379.476	Spacer - (I=46)		2
33.	84210084000	Key - A10X8X40 - DIN6885		2
34.	1.351.349	Auger shaft welded		2
35.	80401004063	Hex socket countersunk-head bolt - M10X40 - DIN7991/10.9		4
36.	1.375.968	Shaft		4
37.	70100004701	Retainer ring - 47X1.75 - DIN472 47/I		6
38.	87001620414	Bearing - 6204 2RS		4
39.	1.309.052	Idler sprocket - 16T		4
40.	1.373.045	Spacer		4
41.	1.301.433	Washer		2
42.	1.378.448	Adjuster nut		2
43.	1.373.932	Retainer		2
44.	1.378.449	Adjuster arm welded		2
45.	1.375.969	Tapped insert		2
46.	1.373.046	Shim		2
47.	70200003201	Retainer ring - 32X1.5 - DIN471		2
48.	71632045100	Shim - 32X45X1 - DIN988		12
49.	1.379.642	Sprocket - 20T / 18T		2
49.	1.377.583	Sprocket - 18T / 16T		2
50.	1.375.967	Hub		2
51.	70200004501	Retaining ring - for shaft - 45X1.75 - DIN471		2
52.	80212003066	Hex socket head bolt - M12X30 - DIN912/8.8		8
53.	1.375.966	Plate		2
54.	87300008516	Bearing housing - PF 85		2
55.	87030620914	Y-bearing - 1726209-2RS1 SKF		2
56.	74901200066	Lock nut - M12 - plastic insert - DIN982		8
57.	79410002066	Hex bolt - M10X20 - DIN933/8.8		8
58.	1.380.276	Auger paddle		4
59.	1.380.273	Auger finger welded - LH		2
60.	1.380.274	Auger finger welded - RH		2
61.	1.380.446	Auger paddle kit		2
62.	91623938861	Spring washer - 10,2X22,25X1,6 - A10		2
63.	665.840.0	Washer		2

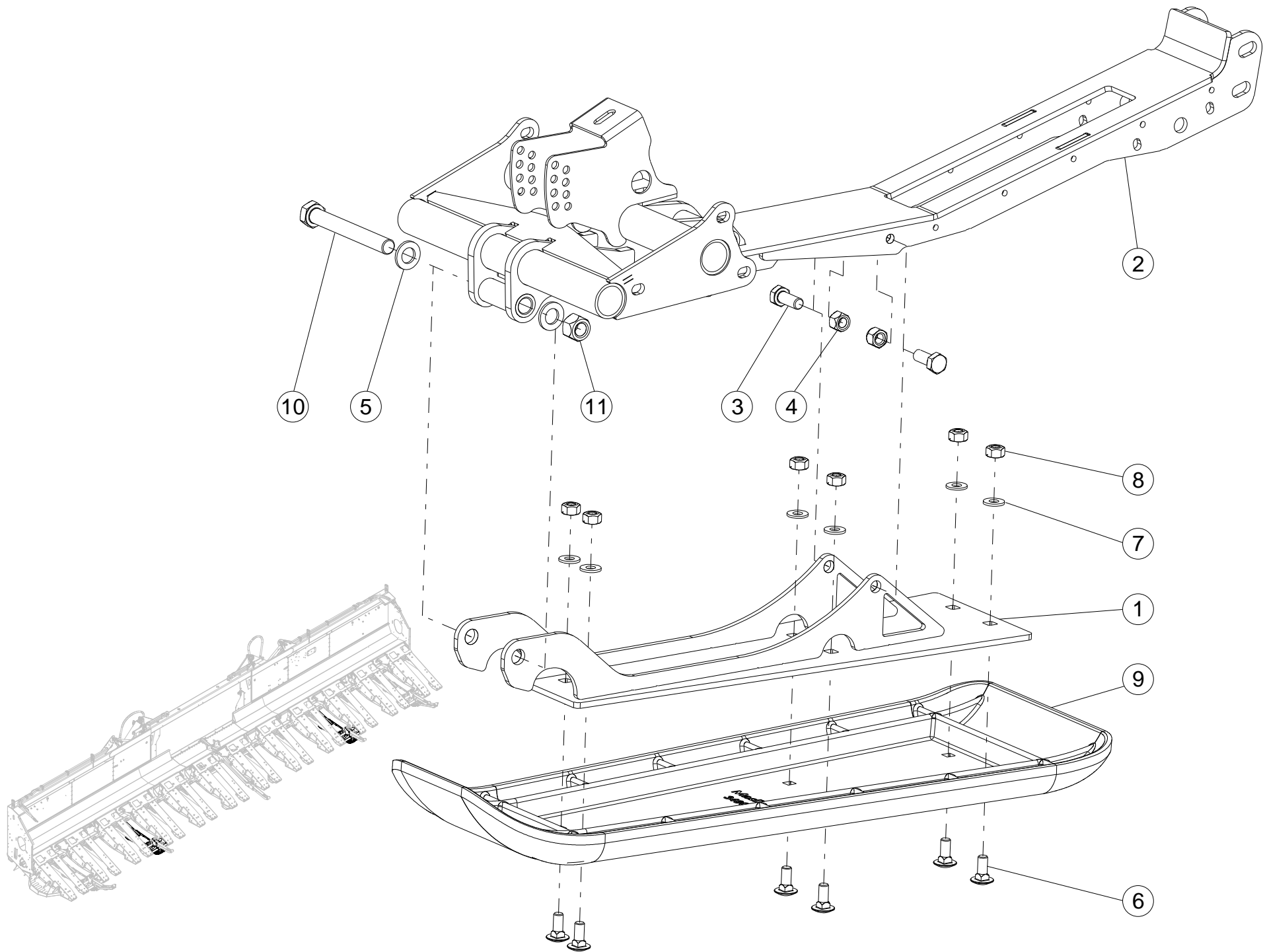


Ref.	Part number	Description		
1.	1.380.497	Shim (1mm)		8
2.	91623938861	Spring washer - 10,2X22,25X1,6 - A10		38
3.	79410002566	Hex bolt - M10X25 - DIN933/8.8		34
4.	238.234.0	Lock nut - VM12		8
5.	91623938961	Spring washer - A12		16
6.	76312004066	Carriage bolt - M12X40 - DIN603/8.8		16
7.	74901200066	Lock nut - M12 - plastic insert - DIN982		8
8.	1.380.616	Skid Shoe - Rear Frame		2
9.	70710000066	Lock nut - M10 - DIN980/8.8		4
10.	71410000060	Washer - M10 10,5X21X2 - DIN125		4
11.	70708000066	Lock nut - M8 - DIN980		4
12.	71408000060	Washer - M8 8,4X16X1,6 - DIN125		4
13.	79408002066	Hex bolt - M8X20 - DIN933/8.8		4
14.	1.380.631	Skid Shoe - Front Frame		2
15.	73510000066	Hex nut - M10 - DIN934		6

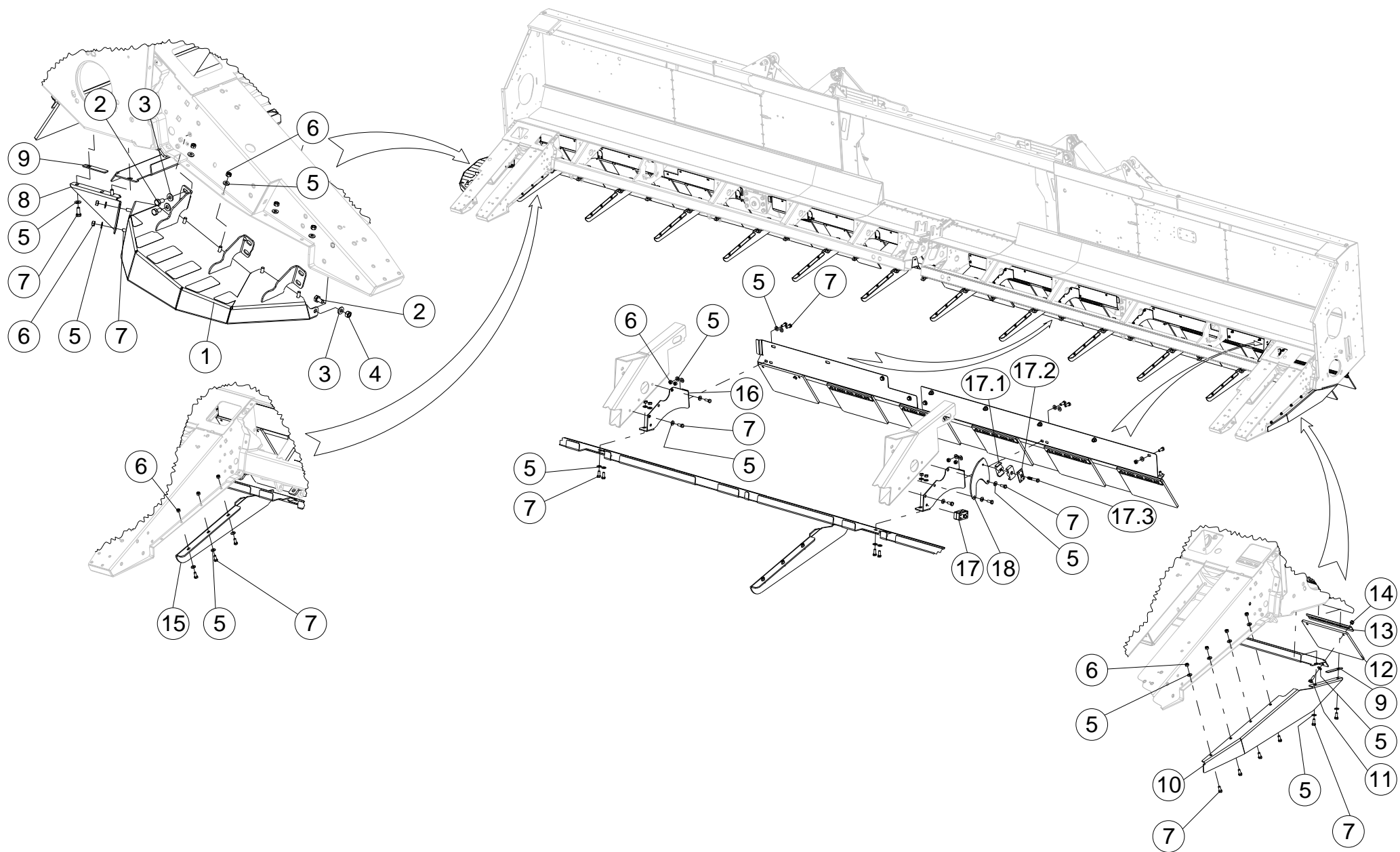


2023.

Ref.	Part number	Description		
1.	1.380.189	Bracket welded - skid shoe		2
2.	1.380.174	Lower arm welded		2
3.	1.380.179	Middle arm welded		2
4.	1.380.448	Skid shoe - upper arm welded		2
5.	665021204000	Proximity switch		2
6.	349087	Skid shoe - plastic		2
7.	79408002066	Hex bolt - M8X20 - DIN933/8.8		4
8.	71309000070	Washer - A8 - DIN126		8
9.	73508000066	Hex nut - M8 - DIN934		4
10.	1.380.434	Shield		2
11.	71410000060	Washer - M10 10,5X21X2 - DIN125		16
12.	76310002566	Carriage bolt - M10X25 - DIN603/8.8		12
13.	91623938861	Spring washer - 10,2X22,25X1,6 - A10		12
14.	70710000066	Lock nut - M10 - DIN980/8.8		20
15.	324796	Hydraulic cylinder - LH		1
15.	313794	Seal kit - LH		1
15.	324741	Hydraulic cylinder - RH		1
15.	313793	Seal kit - RH		1
16.	96713665500	Fir tree		10
17.	1.340.487	Bracket welded		4
18.	1.380.420	Deflector welded		2
19.	79308010066	Hex bolt - M8X100 - DIN931/8.8		4
20.	70708000066	Lock nut - M8 - DIN980		4
21.	1.380.495	Roller		2
22.	135778	FITTING - ADAPTER SAE 6MORFS-6MORB	SAE J1453-3 6-6 520120CN	4
23.	1.380.600	Bushing		8
24.	1.380.601	Bushing lower		8
25.	79410004566	Hex head screw - M10X45 - DIN933		8
26.	79316016066	Hex head screw - M16X160		4
27.	70716000066	Lock nut - M16 - DIN980/8.8		8
28.	79316013066	Hex head screw - M16X130		4

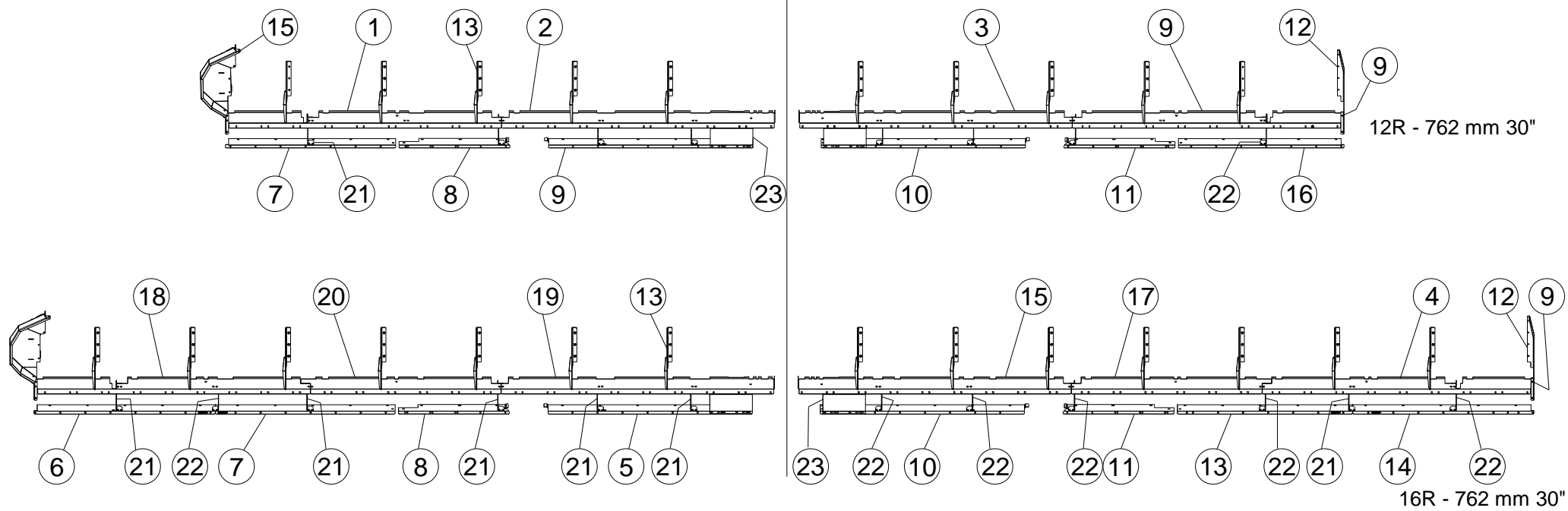


Ref.	Part number	Description		
1.	1.380.437	Bracket welded - rigid		2
2.	1.380.448	Skid shoe - upper arm welded		2
3.	79412003066	Hex head screw - M12X30 - DIN933/8.8		2
4.	70712000066	Lock nut - VM12 - DIN980		4
5.	71416000060	Washer - M16 17X30X3 - DIN125 - 200HV		4
6.	76310002566	Carriage bolt - M10X25 - DIN603/8.8		12
7.	91623938861	Spring washer - 10,2X22,25X1,6 - A10		12
8.	70710000066	Lock nut - M10 - DIN980/8.8		12
9.	349087	Skid shoe - plastic		2
10.	79316013063	Hex bolt - M16X130 - DIN931/10.9		2
11.	70716000066	Lock nut - M16 - DIN980/8.8		2



Ref.	Part number	Description		FC3012	FC3016
				FC3012C	FC3016C
1.	1.379.099	Knife-shield		1	1
2.	79410002066	Hex bolt - M10X20 - DIN933/8.8		3	3
3.	91623938861	Spring washer - 10,2X22,25X1,6 - A10		3	3
4.	73510000066	Hex nut - M10 - DIN934		1	1
5.	91623938761	Spring washer - 8X18 M8 - A8		98	142
6.	73508000066	Hex nut - M8 - DIN934		56	78
7.	79408002066	Hex bolt - M8X20 - DIN933/8.8		3	3
8.	1.376.599	Stiffener		1	1
9.	1.377.372	Shim		2	2
10.	1.376.600	Side-shield (l=858,7)		1	1
11.	79408002566	Hex head screw - M8X25 - DIN933/8.8		8	12
12.	1.376.131	Rubber plate		68	102
13.	1.376.127	Flat		38	57
14.	74900800066	Lock nut - plastic insert - M8 - DIN982/8		23	35
15.	1.379.534	Deflector plate		10	15
16.	1.380.458	Shield holder - LH		4	6
16.	1.380.458	Shield holder - LH		4	6
17.	1.380.253	Console		2	2
17	97308040102	Clamp 18	Includes item(s): 2x #17.1; 1x #17.2; 1x #17.3	2	2
17.1.	NSS	-		4	4
17.2.	96708040102	Cover plate for size 18 clamp		2	2
17.3.	79408004566	Hex bolt - M8X45 - DIN933/8.8		2	2

Direction of travel

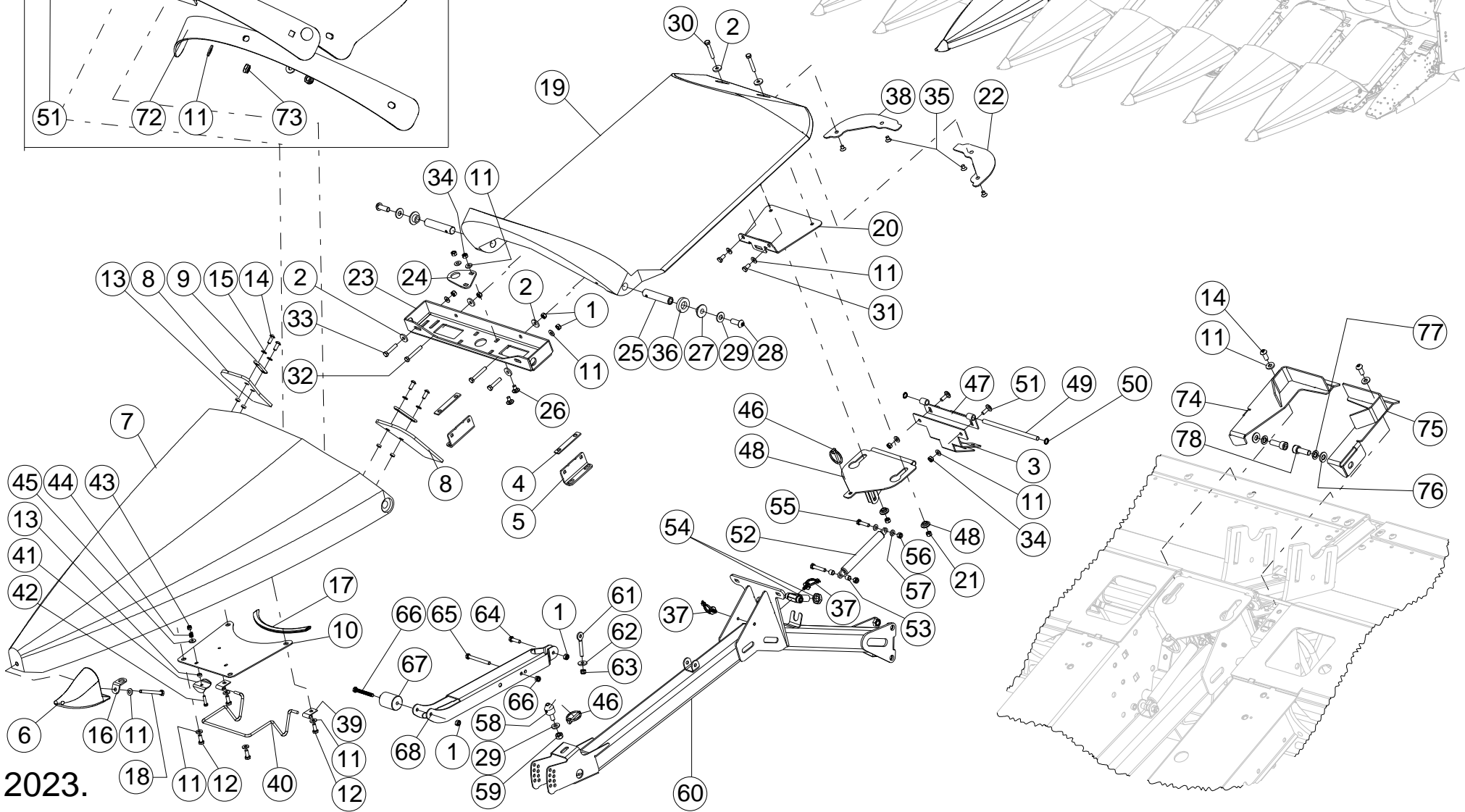
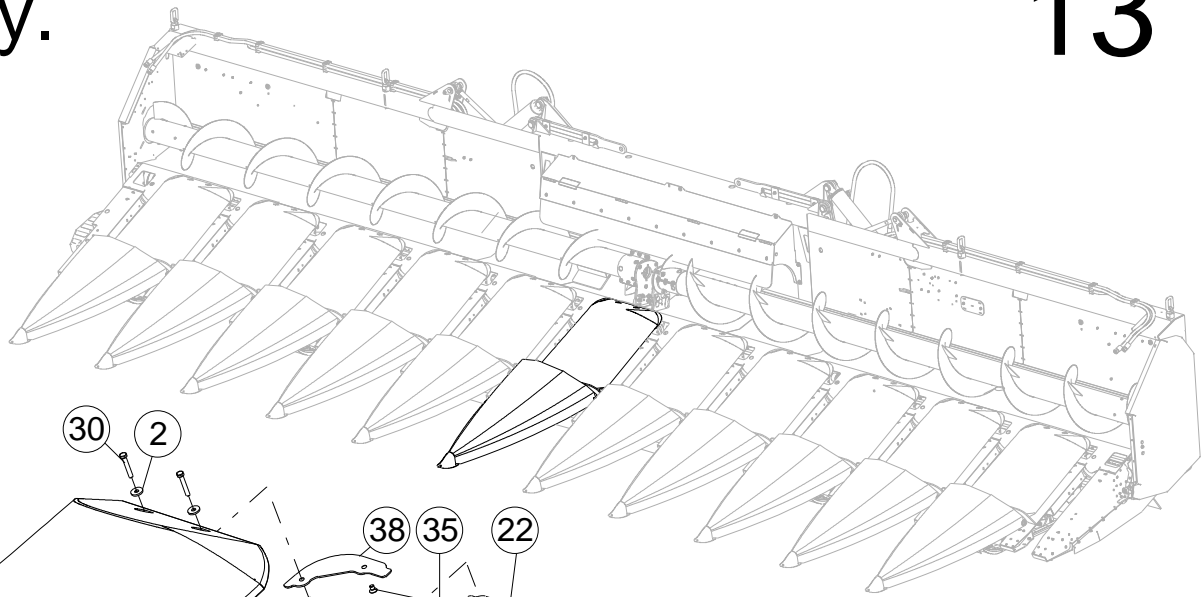
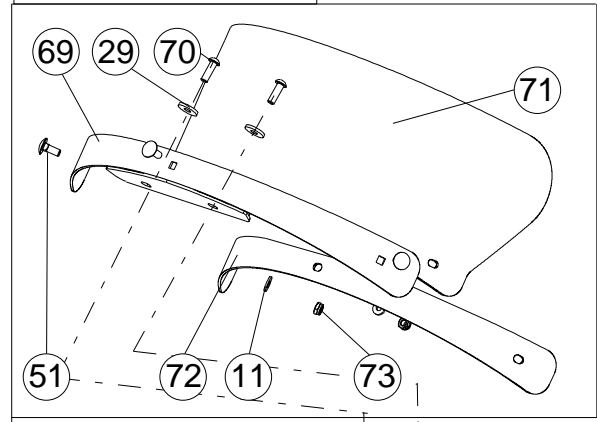


Ref.	Part number	Description			FC3012	FC3016
					FC3012C	FC3016C
1.	1.380.466	Shield lower - RH (I=2163)			1	1
2.	1.380.468	Shield lower - RH II. (I=1598,5)			1	1
3.	1.380.467	Shield lower - LH II. (I=1598,5)			1	1
4.	1.380.465	Shield lower - LH (I=340)			1	1
5.	1.380.621	Shield lower - RH I. (I=2174,5)			-	1
6.	1.380.620	Shield lower - LH I. (I=2197)			-	1
7.	1.380.516	Shield rear - RH I. (I=1324)			1	-
8.	1.380.463	Shield rear, - RH II. (I=1667,4)			1	1
9.	1.380.461	Shield rear, - RH III. (I=886,8)			1	1
10.	1.380.460	Shield rear, - LH III. (I=886,8)			1	1
11.	1.380.462	Shield rear, - LH II. (I=1324)			1	1
12.	1.376.600	Side-shield (I=858,7)			1	1
13.	1.379.035	Shield - back - (I=1434)			-	1
14.	1.371.013	Deflector plate (I=611,6)			10	15
15.	1.379.037	Shield - back - (I=1447)			-	1
16.	1.379.099	Knife-shield			1	1
17.	1.380.515	Shield rear - LH I. (I=2177)			1	-
18.	1.380.464	Shield holder - RH			4	6
19.	1.380.458	Shield holder - LH			4	6
20.	1.372.937	Shield			68	102

Use for center snout only.

(13) CENTER SNOUT SUPPORT

1.373.153



Ref.	Part number	Description		
1.	70708000066	Lock nut - M8 - DIN980		6
2.	1.314.099	Washer - M8		6
3.	1.380.162	Front auger pan seal		1
4.	1.376.747	Flat		2
5.	1.371.600	Bracket		2
**6.	1.354.310	Skid shoe - black		1
**6.	1.354.310A	Skid shoe - white		1
7.	1.377.380.1	Central snout - CASE IH red		1
7.	1.377.380.2	Central snout - NH yellow		1
7.	1.377.380.3	Central snout - JD green		1
7.	1.377.380.10	Central snout - chassis gray		1
8.	1.378.053	Rubber earsaver		2
9.	1.329.164	Rubber backing plate		2
10.	1.354.667	Plate		1
11.	91623938761	Spring washer - 8X18 M8 - A8		15
12.	79408002066	Hex bolt - M8X20 - DIN933/8.8		4
13.	1.329.747	Spacer		5
14.	81108002063	Hex socket button-head screw - M8X20 - DIN7380/ISO7380 10.9		6
15.	72212000060	Spring washer - M12 - DIN128/A		4
16.	1.372.352	Angle		1
17.	96720070601	Strip 1-4,5mm (/m)		1
18.	79308007066	Hex bolt - M8x80x22 - DIN931/8.8		1
19.	1.377.533.1	Rear divider - CASE IH red		1
19.	1.377.533.2	Rear divider - NH yellow		1
19.	1.377.533.3	Rear divider - JD green		1
19.	1.377.533.10	Rear divider - standard grey		1
20.	1.377.748	Bracket		1
21.	1.377.751	Washer		2
22.	1.380.525	Cleaner plate - LH		1
23.	1.377.462	Support welded		1
24.	1.354.571	Washer plate		1
25.	1.353.461	Shaft		2
26.	76308001666	Carriage bolt - M8X16 - DIN603/8.8		1
27.	1.353.462	Spacer		2
28.	78212003563	Hex socket button-head bolt TORX - M12X35 - ISO7380/10.9		2
29.	91623938961	Spring washer - A12		5
30.	79408005066	Hex bolt - M8X50 - DIN933/8.8		2
31.	79408001666	Hex head screw - M8X16 - DIN933/8.8		2
32.	79408005566	Hex head screw - M8X55 - DIN933/8.8		2
33.	79408004066	Hex head screw - M8X40 - DIN933/8.8		2
34.	73508000066	Hex nut - M8 - DIN934		4
35.	80408001266	Hex socket countersunk-head bolt - M8X12 - DIN7991/8.8		4
*36.	1.371.821	Spacer		2
37.	96713665500	Fir tree		2
38.	1.380.526	Cleaner plate - RH		1
39.	1.379.152	Hinge		2
40.	1.379.151	Support		1
41.	1.373.749	Retainer		1
42.	79406002566	Hex bolt - M6X25 - DIN933/8.8		1
43.	74906000066	Hex nut - plastic insert - M6 - DIN982		1
44.	1.327.689	Spring		1
45.	2.361.800	Washer 18x6,4x1,6		1
46.	967PSF30526	Lynch pin D=4.5 - DIN11023		1
47.	1.377.741	Hinge		1
48.	1.377.744	Hinge		1
49.	1.377.747	Shaft		1
50.	70110000001	Toothed washer		2
51.	76308002566	Carriage bolt - M8X25 - DIN603		5
52.	1.376.793	Gas spring - 1000N		1
53.	993.454.0	Bushing		2
54.	136514	FITTING - TEE HYD SAE MORFS 6-6-6		1
55.	79408004566	Hex bolt - M8X45 - DIN933/8.8		2
56.	70708000063	Lock nut - M8 - DIN980 10.		2
57.	71408000060	Washer - M8, 8,4X16X1,6 - DIN125		2
58.	1.310.009	Support pin		1
59.	70710000066	Lock nut - M10 - DIN980/8.8		1
60.	1.380.220	Center Snout Support		1

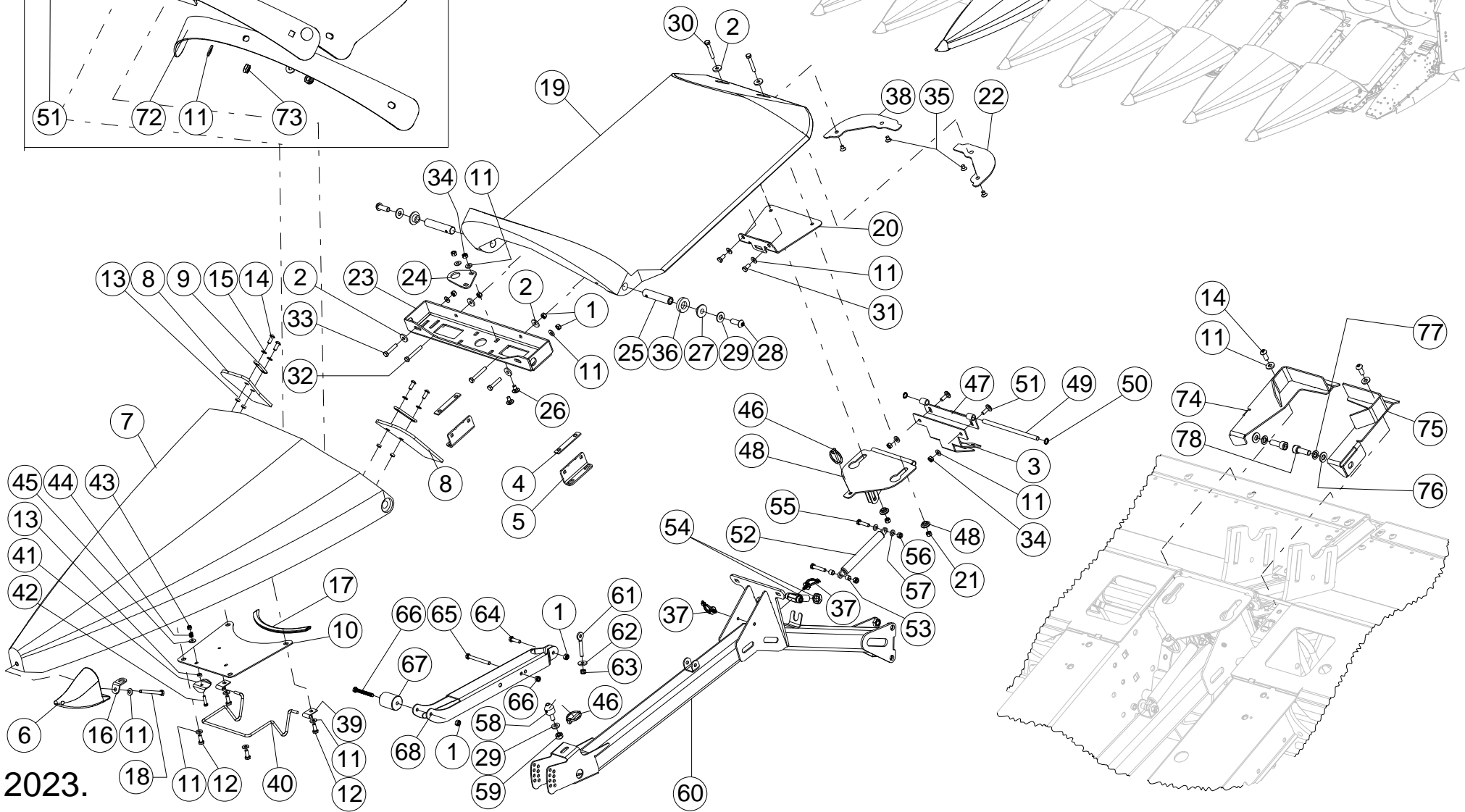
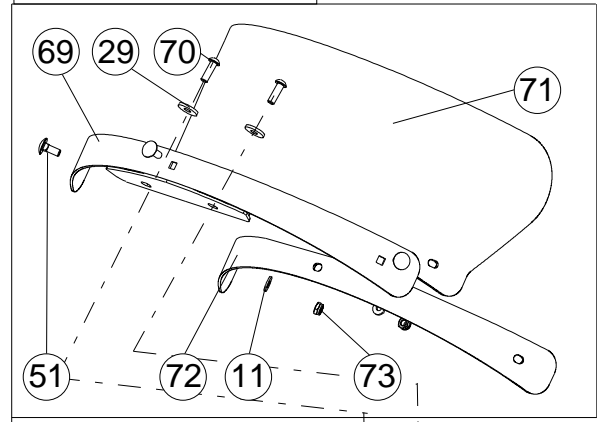
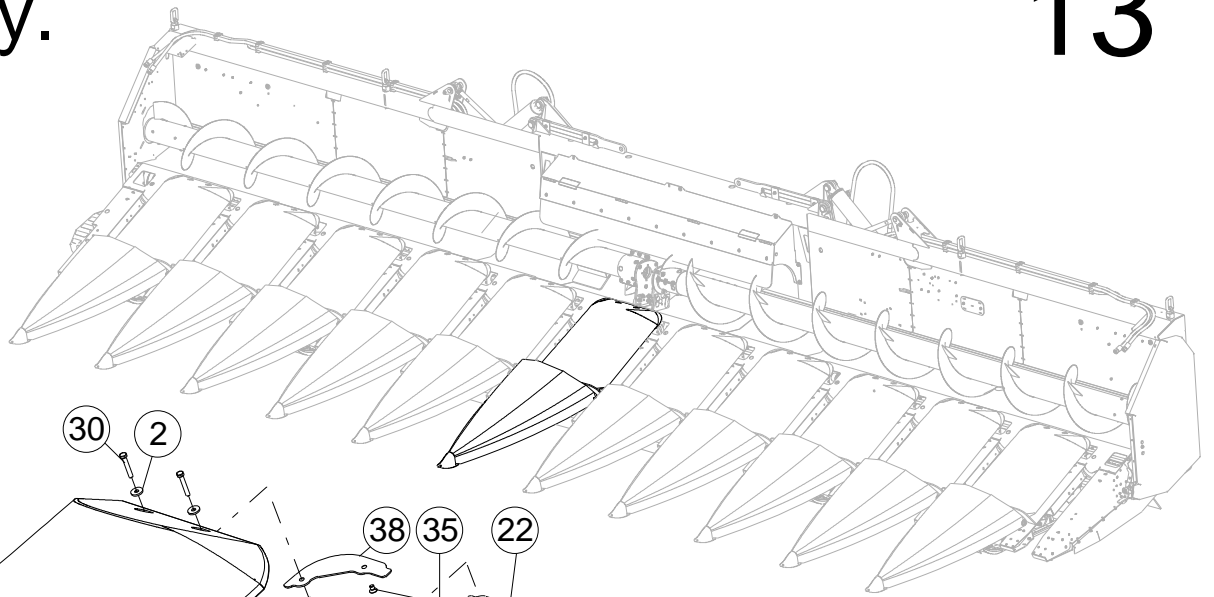
Note: * Spacer is only for snouts with AHHC and Row guidance wires.

** Snout tip (6) is white for Standard gray colored poly, and black for all others.

Use for center snout only.

(13) CENTER SNOUT SUPPORT

1.373.153

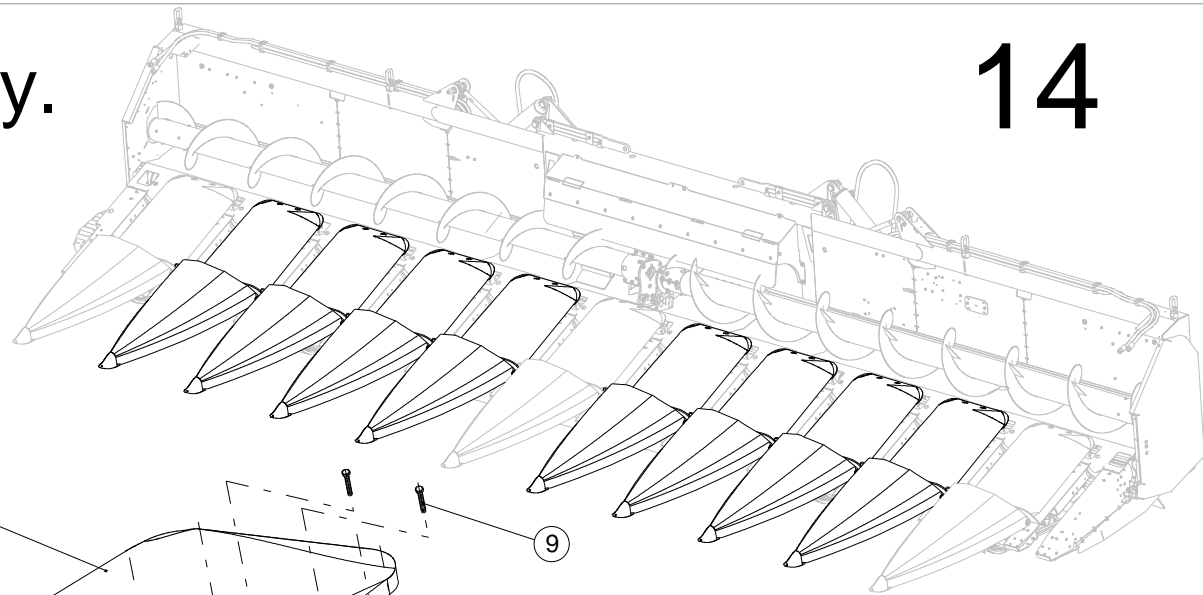


2023.

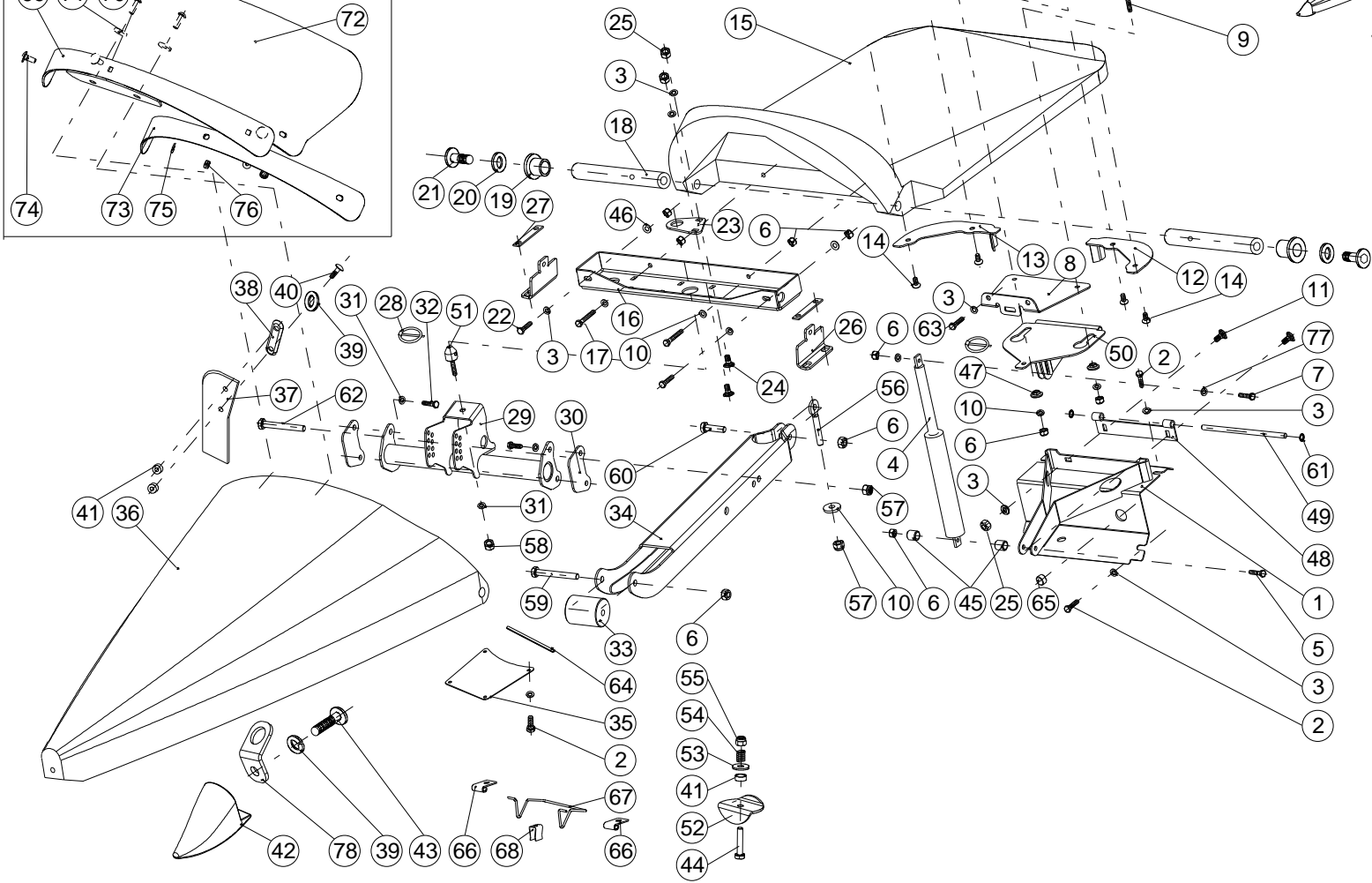
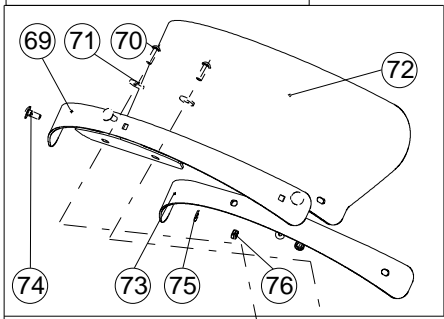
Ref.	Part number	Description		
61.	77208004560	Eye bolt - A2K M8X45 - DIN44/LB		1
62.	1.314.099	Washer - M8		1
63.	74908000066	Hex nut - plastic insert - M8 - DIN985		1
64.	79408003066	Hex bolt - M8X30 - DIN933/8.8		1
65.	79408008066	Hex bolt - M8X80 - DIN933/8.8		1
66.	79408006566	Hex head screw - M8X65 - DIN933/8.8		1
67.	1.377.902	Roll		1
68.	1.378.269	Snout support arm welded		1
69.	1.373.148	Bracket welded		1
70.	81108001663	Hex socket button-head bolt - M8X16 - ISO7380/10.9		2
71.	1.372.945	Rubber earsaver		1
72.	1.373.151	Plate		1
73.	73508000066	Hex nut - M8 - DIN934		2
74.	1.380.451	Shield - RH		1
75.	1.380.452	Shield - LH		1
76.	71410000060	Washer - M10 10,5X21X2 - DIN125		2
77.	72210000060	Spring washer - M10 - DIN128/A		2
78.	80210003066	Hex socket head bolt - M10X30 - DIN912		2
-	1.373.153	Ear saver kit for 28-30	(#11, 29, 51, 69-73)	1

Note: * Spacer is only for snouts with AHHC and Row guidance wires.
** Snout tip (6) is white for Standard gray colored poly, and black for all others.

Use for interior snout only.
As shown in picture.



1.373.153



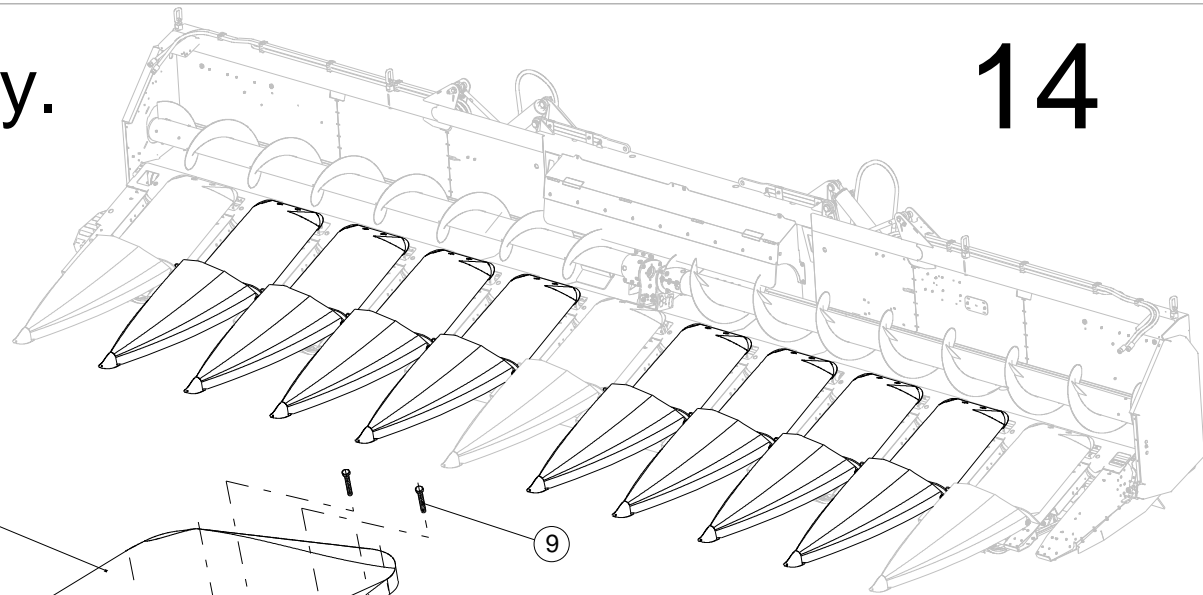
Ref.	Part number	Description		FC3012 FC3012C	FC3016 FC3016C
1.	1.377.738	Bracket welded		8	12
2.	79408002066	Hex bolt - M8X20 - DIN933/8.8		64	96
3.	91623938761	Spring washer - 8X18 M8 - A8		128	192
4.	1.376.793	Gas spring - 1000N		8	12
5.	79408004566	Hex bolt - M8X45 - DIN933/8.8		8	12
6.	70708000066	Lock nut - M8 - DIN980		80	120
7.	79408003566	Hex bolt - M8X35 - DIN933/8.8		8	12
8.	1.377.748	Bracket		8	12
9.	79308005066	Hex bolt - M8X50 - DIN931/8.8		16	24
10.	1.314.099	Washer - M8		88	132
11.	76308002066	Carriage bolt - M8X20 - DIN603/8.8		16	24
12.	1.377.465	Cleaning plate - LH		8	12
13.	1.377.466	Cleaning plate - RH		8	12
14.	80408001266	Hex socket countersunk-head bolt - M8X12 - DIN7991/8.8		32	48
15.	1.377.533.1	Rear divider - CASE IH red		8	12
15.	1.377.533.2	Rear divider - NH yellow		8	12
15.	1.377.533.3	Rear divider - JD green		8	12
15.	1.377.533.10	Rear divider - standard grey		8	12
16.	1.377.462	Support welded		8	12
17.	79308005566	Hex bolt - M8X55 - DIN931/8.8		16	24
18.	1.353.461	Shaft		16	24
19.	1.353.462	Spacer		16	24
20.	91623938961	Spring washer - A12		16	24
21.	78212003563	Hex socket button-head bolt TORX - M12X35 - ISO7380/10.9		16	24
22.	79308004066	Hex bolt - M8X40 - DIN931/8.8		16	24
23.	1.354.571	Washer plate		8	12
24.	76308002066	Carriage bolt - M8X20 - DIN603/8.8		16	24
25.	73508000066	Hex nut - M8 - DIN934		32	48
26.	1.377.862	Support		16	24
27.	1.376.747	Flat		16	24
28.	967PSF30526	Lynch pin D=4.5 - DIN11023		16	24
29.	1.377.855	Bracket		8	12
*30.	1.375.957	Shim - (I=1)		8	12
*30.	1.375.958	Shim - (I=2)		8	12
*30.	1.372.888	Shim - (I=5)		8	12
31.	91623938861	Spring washer - 10,2X22,25X1,6 - A10		40	60
32.	79410002566	Hex bolt - M10X25 - DIN933/8.8		32	48
33.	1.377.902	Roll		8	12
34.	1.378.269	Snout support arm welded		8	12
35.	1.354.667	Plate		8	12
36.	1.377.380.1	Central snout - CASE IH red		8	12
36.	1.377.380.2	Central snout - NH yellow		8	12
36.	1.377.380.3	Central snout - JD green		8	12
36.	1.377.380.10	Central snout - chassis gray		8	12
37.	1.378.053	Rubber earsaver		16	24
38.	1.329.164	Rubber backing plate		16	24
39.	72208000060	Spring washer - M8 - DIN128/A		40	60
40.	78200802063	Hex socket button-head bolt - M8X20 - ISO7380/10.9		32	48
41.	1.329.747	Spacer		40	60
**42.	1.354.310	Skid shoe - black		8	12
**42.	1.354.310A	Skid shoe - white		8	12
43.	79308009063	Hex bolt - M8X90 - DIN931/10.9		8	12
44.	79406003066	Hex head screw - M6X30 - DIN933/8.8		8	12
45.	993.454.0	Bushing		16	24
46.	1.314.099	Washer - M8		16	24
47.	1.377.751	Washer		16	24
48.	1.377.741	Hinge		8	12
49.	1.377.747	Shaft		8	12
50.	1.377.744	Hinge		8	12
51.	1.310.009	Support pin		8	12
52.	1.373.749	Retainer		8	12
53.	96702361800	Washer - M6		8	12
54.	1.327.689	Spring		8	12
55.	74906000066	Hex nut - plastic insert - M6 - DIN982		8	12
56.	77208004560	Eye bolt - A2K M8X45 - DIN44/LB		8	12
57.	74908000066	Hex nut - plastic insert - M8 - DIN985		16	24
58.	70710000066	Lock nut - M10 - DIN980/8.8		8	12

Note: * Application of shims if necessary.

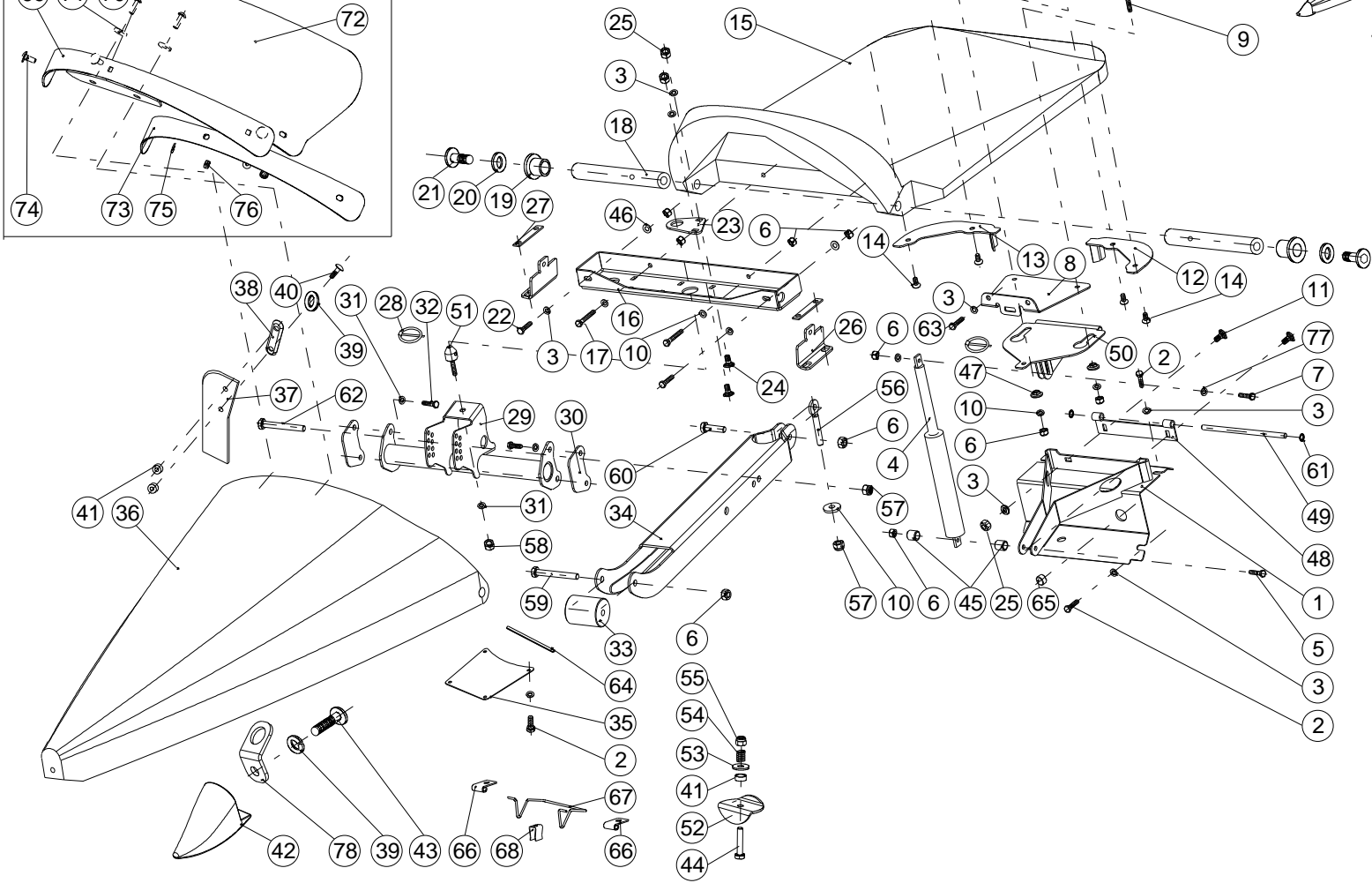
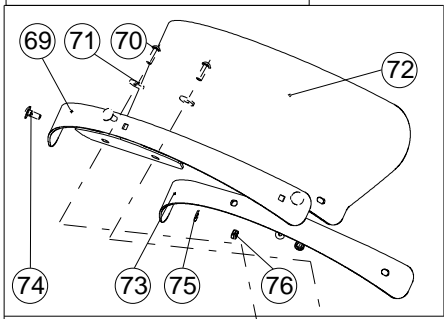
Use only for interior snouts Except Center snout

** Snout tip (42) is white for Standard gray colored poly, and black for all others.

Use for interior snout only.
As shown in picture.



1.373.153



Ref.	Part number	Description		FC3012 FC3012C	FC3016 FC3016C
59.	79308006566	Hex bolt - M8X65 - DIN931/8.8		8	12
60.	79408003066	Hex bolt - M8X30 - DIN933/8.8		8	12
61.	70110000001	Toothed washer		16	24
62.	79408008066	Hex bolt - M8X80 - DIN933/8.8		16	24
63.	79408001666	Hex head screw - M8X16 - DIN933/8.8		16	24
64.	96720070601	Strip 1-4,5mm (/m)		8	12
65.	96700000002	Cap		8	12
66.	1.379.152	Hinge		16	24
67.	1.379.151	Support		8	12
68.	1.328.006	Spring clamp		8	12
69.	1.373.148	Bracket welded		8	12
70.	81108001663	Hex socket button-head bolt - M8X16 - ISO7380/10.9		16	24
71.	91623938861	Spring washer - 10,2X22,25X1,6 - A10		16	24
72.	1.372.945	Rubber earsaver		8	12
73.	1.373.151	Plate		8	12
74.	76308002566	Carriage bolt - M8X25 - DIN603		24	36
75.	91623938761	Spring washer - 8X18 M8 - A8		24	36
76.	73508000066	Hex nut - M8 - DIN934		24	36
77.	71408000060	Washer - M8 8,4X16X1,6 - DIN125		16	24
78.	1.372.352	Angle		8	12
-	1.373.153	Ear saver kit for 28-30	(#69-76)	8	12

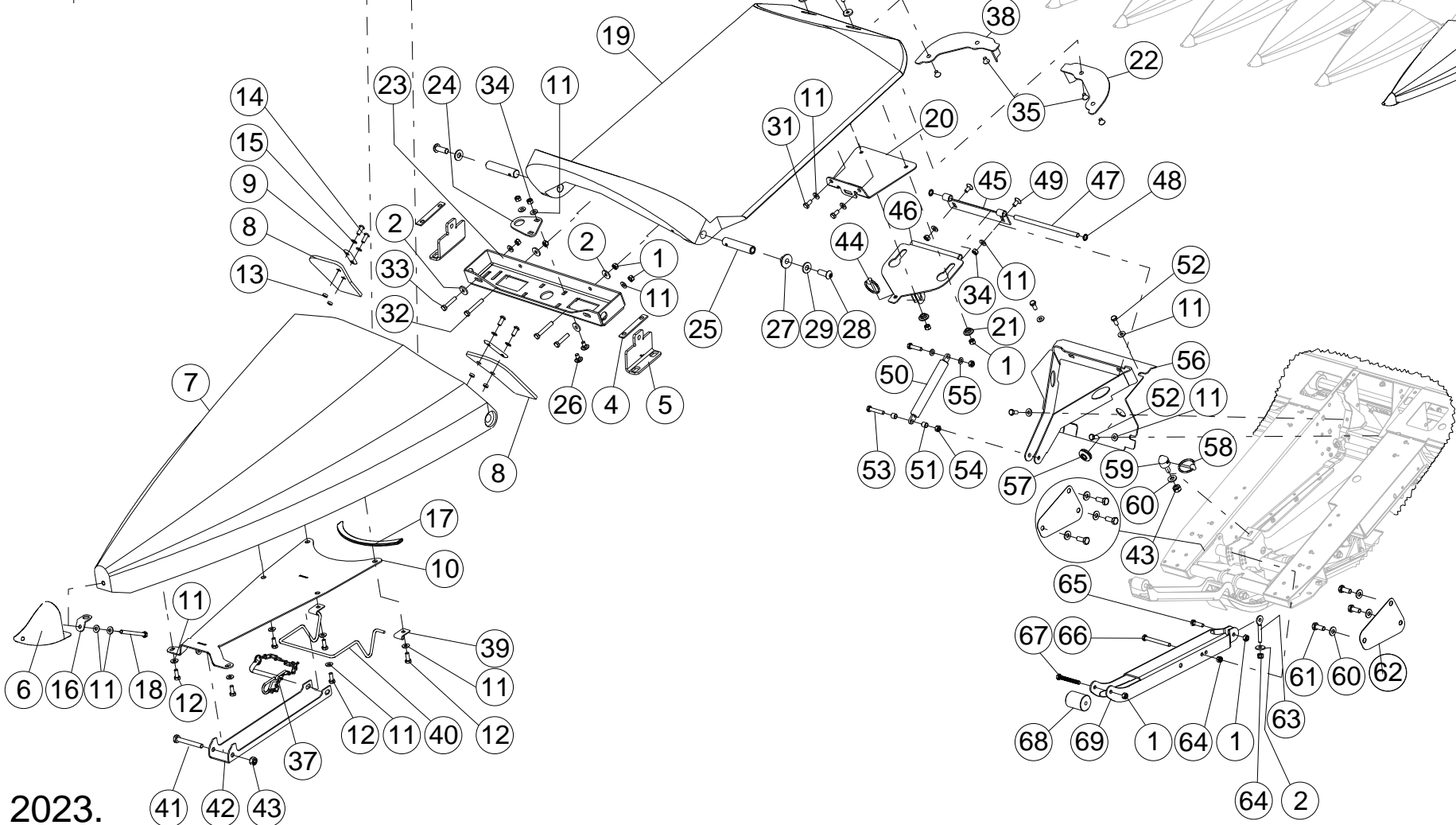
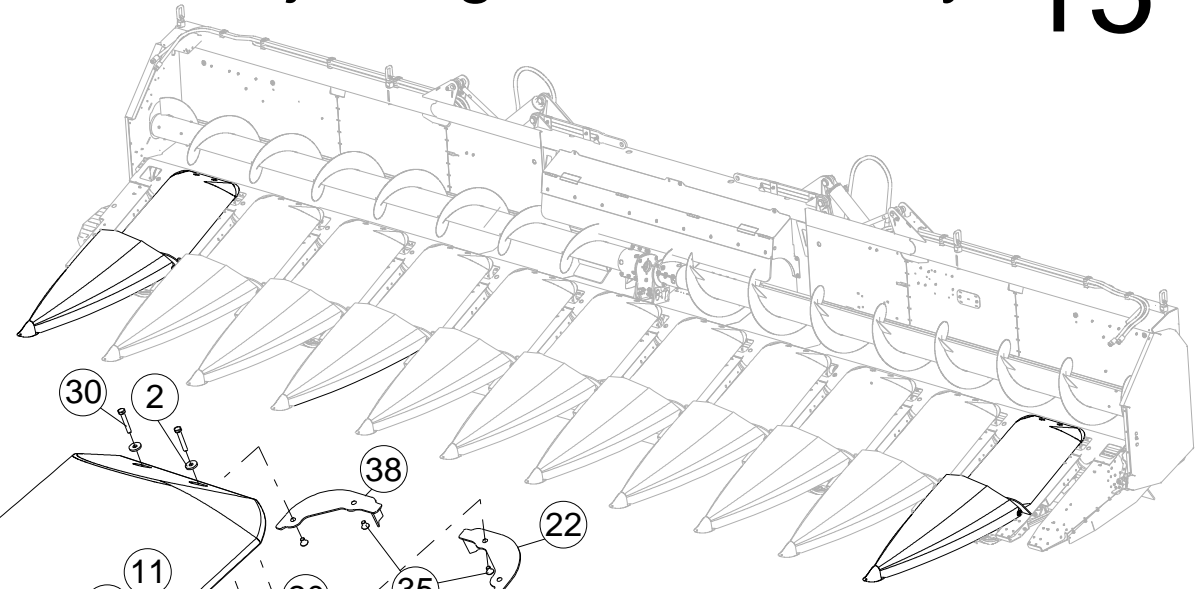
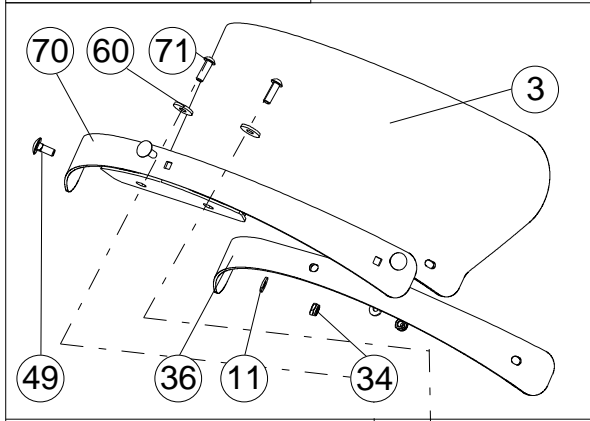
Note: * Application of shims if necessary.

Use only for interior snouts Except Center snout

** Snout tip (42) is white for Standard gray colored poly, and black for all others.

Use for snout above adjusting skid shoe only. 15

1.373.153



(15) ADJUSTABLE SKID SHOE DIVIDERS

34

2023.

Ref.	Part number	Description		
1.	70708000066	Lock nut - M8 - DIN980		16
2.	1.314.099	Washer - M8		14
3.	1.372.945	Rubber earsaver		2
4.	1.376.747	Flat		4
5.	1.377.862	Support		4
**6.	1.354.310	Skid shoe - black		2
**6.	1.354.310A	Skid shoe - white		2
7.	1.377.380.1	Central snout - CASE IH red		2
7.	1.377.380.2	Central snout - NH yellow		2
7.	1.377.380.3	Central snout - JD green		2
7.	1.377.380.10	Central snout - chassis gray		2
8.	1.378.053	Rubber earsaver		4
9.	1.329.164	Rubber backing plate		8
10.	1.380.429	Plate welded		2
11.	91623938761	Spring washer - 8X18 M8 - A8		38
12.	79408002066	Hex bolt - M8X20 - DIN933/8.8		8
13.	1.329.747	Spacer		8
14.	81108002063	Hex socket button-head screw - M8X20 - DIN7380/ISO7380 10.9		8
15.	72212000060	Spring washer - M12 - DIN128/A		8
16.	1.372.352	Angle		2
17.	96720070601	Strip 1-4,5mm (/m)		2
18.	79308007066	Hex bolt - M8x80x22 - DIN931/8.8		2
19.	1.377.533.1	Rear divider - CASE IH red		2
19.	1.377.533.2	Rear divider - NH yellow		2
19.	1.377.533.3	Rear divider - JD green		2
19.	1.377.533.10	Rear divider - standard grey		2
20.	1.377.748	Bracket		2
21.	1.377.751	Washer		4
22.	1.380.525	Cleaner plate - LH		2
23.	1.377.462	Support welded		2
24.	1.354.571	Washer plate		2
25.	1.353.461	Shaft		4
26.	76308001666	Carriage bolt - M8X16 - DIN603/8.8		4
27.	1.353.462	Spacer		4
28.	78212003563	Hex socket button-head bolt TORX - M12X35 - ISO7380/10.9		4
29.	91623938961	Spring washer - A12		4
30.	79408005066	Hex bolt - M8X50 - DIN933/8.8		4
31.	79408001666	Hex head screw - M8X16 - DIN933/8.8		4
32.	79408005566	Hex head screw - M8X55 - DIN933/8.8		4
33.	79408004066	Hex head screw - M8X40 - DIN933/8.8		4
34.	73508000066	Hex nut - M8 - DIN934		8
35.	80408001266	Hex socket countersunk-head bolt - M8X12 - DIN7991/8.8		8
36.	1.373.151	Plate		2
37.	1.380.496	Retainer assy.		2
38.	1.380.526	Cleaner plate - RH		2
39.	1.379.152	Hinge		4
40.	1.379.151	Support		2
41.	79310008076	Hex bolt - DIN931 - M10x80		2
42.	1.380.421	Arm		2
43.	70710000066	Lock nut - M10 - DIN980/8.8		2
44.	967PSF30526	Lynch pin D=4.5 - DIN11023		2
45.	1.377.741	Hinge		4
46.	1.377.744	Hinge		2
47.	1.377.747	Shaft		2
48.	70110000001	Toothed washer		4
49.	76308002566	Carriage bolt - M8X25 - DIN603		10
50.	1.376.793	Gas spring - 1000N		2
51.	993.454.0	Bushing		4
52.	79408001866	Hex bolt - M8X18 - DIN933/8.8		6
53.	79408004566	Hex bolt - M8X45 - DIN933/8.8		4
54.	238.142.0	Lock nut - M8 - ISO7042		4
55.	71408000060	Washer - M8 8,4X16X1,6 - DIN125		4
56.	1.377.738	Bracket welded		2
57.	96700000002	Cap		2
58.	967PSF30526	Lynch pin D=4.5 - DIN11023		2
59.	1.310.009	Support pin		2
60.	91623938861	Spring washer - 10,2X22,25X1,6 - A10		18

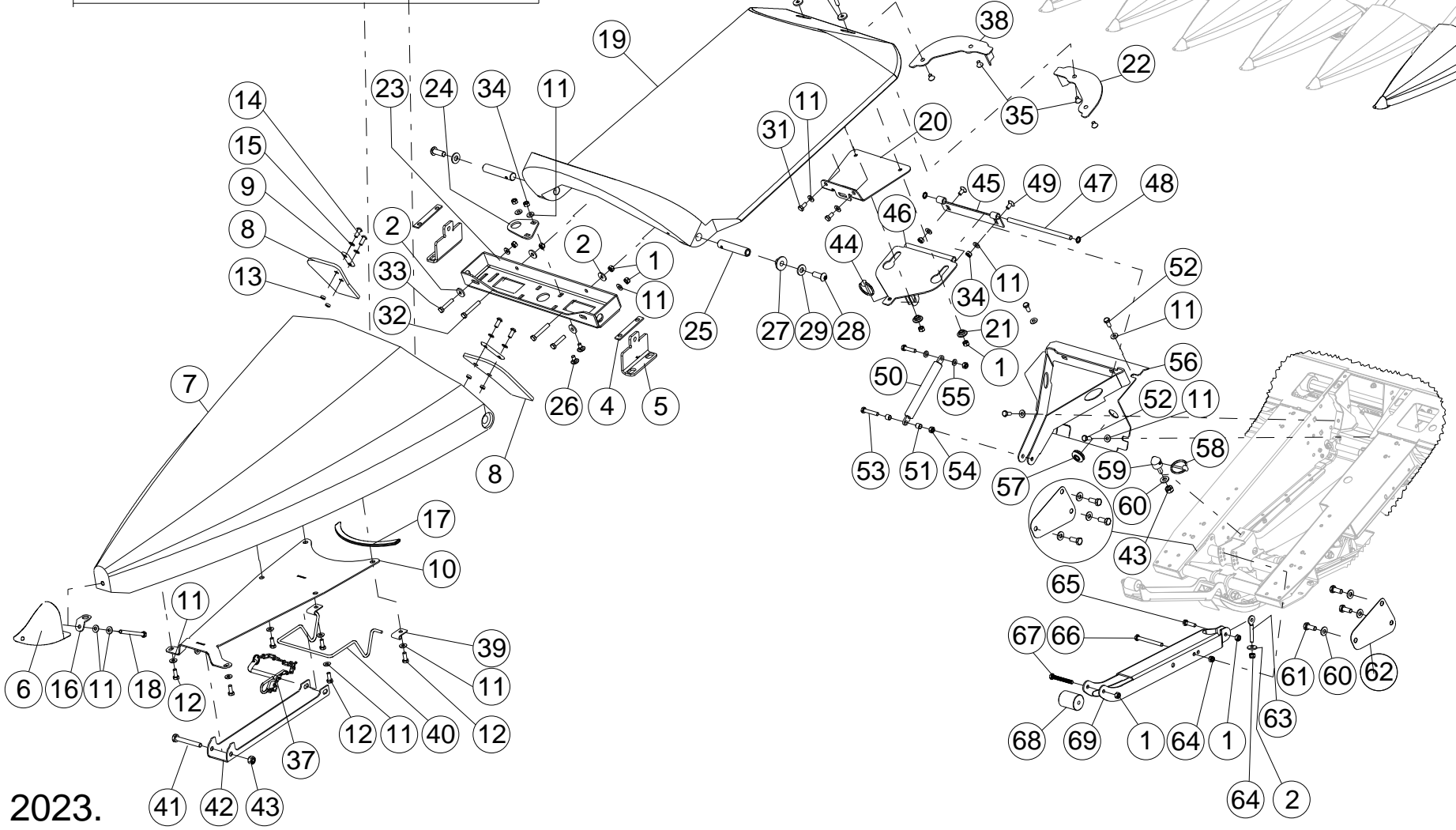
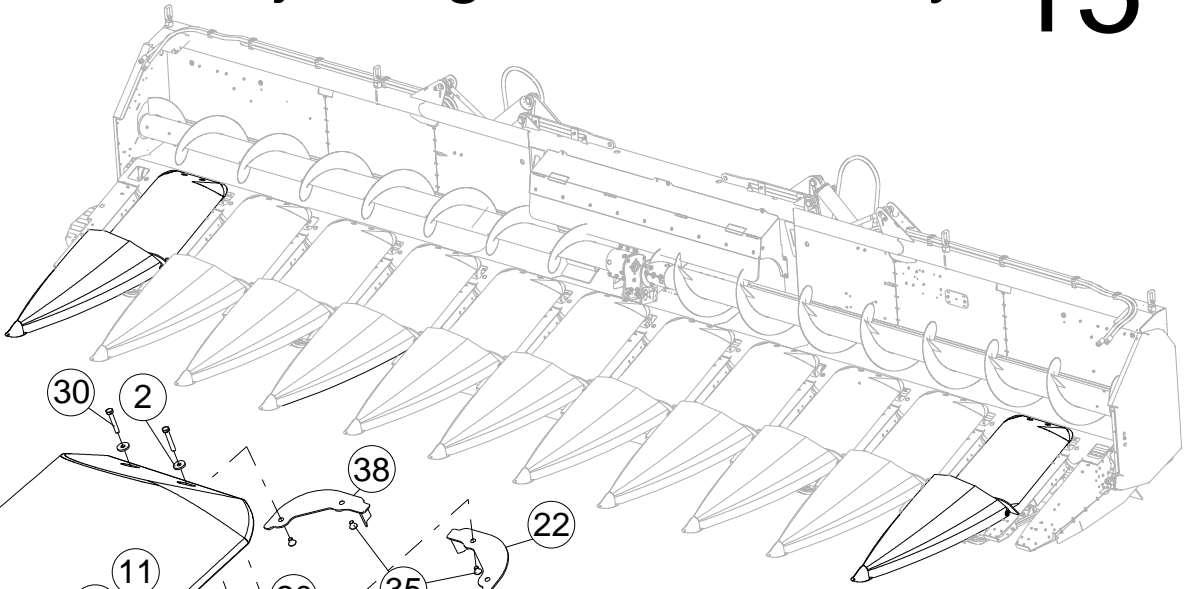
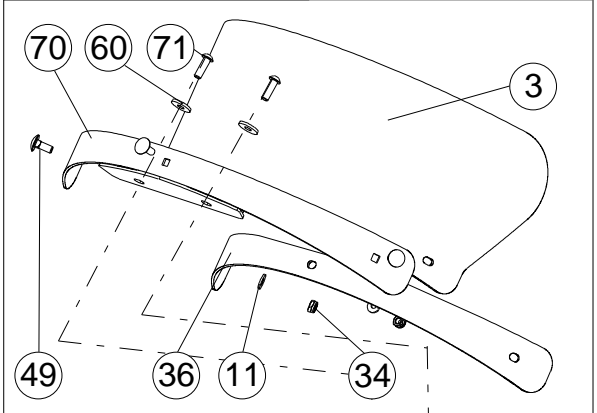
Note: * Application of shims if necessary.

Use above adjustable skid shoes only.

** Snout tip (6) is white for Standard gray colored poly, and black for all others.

Use for snout above adjusting skid shoe only. 15

1.373.153

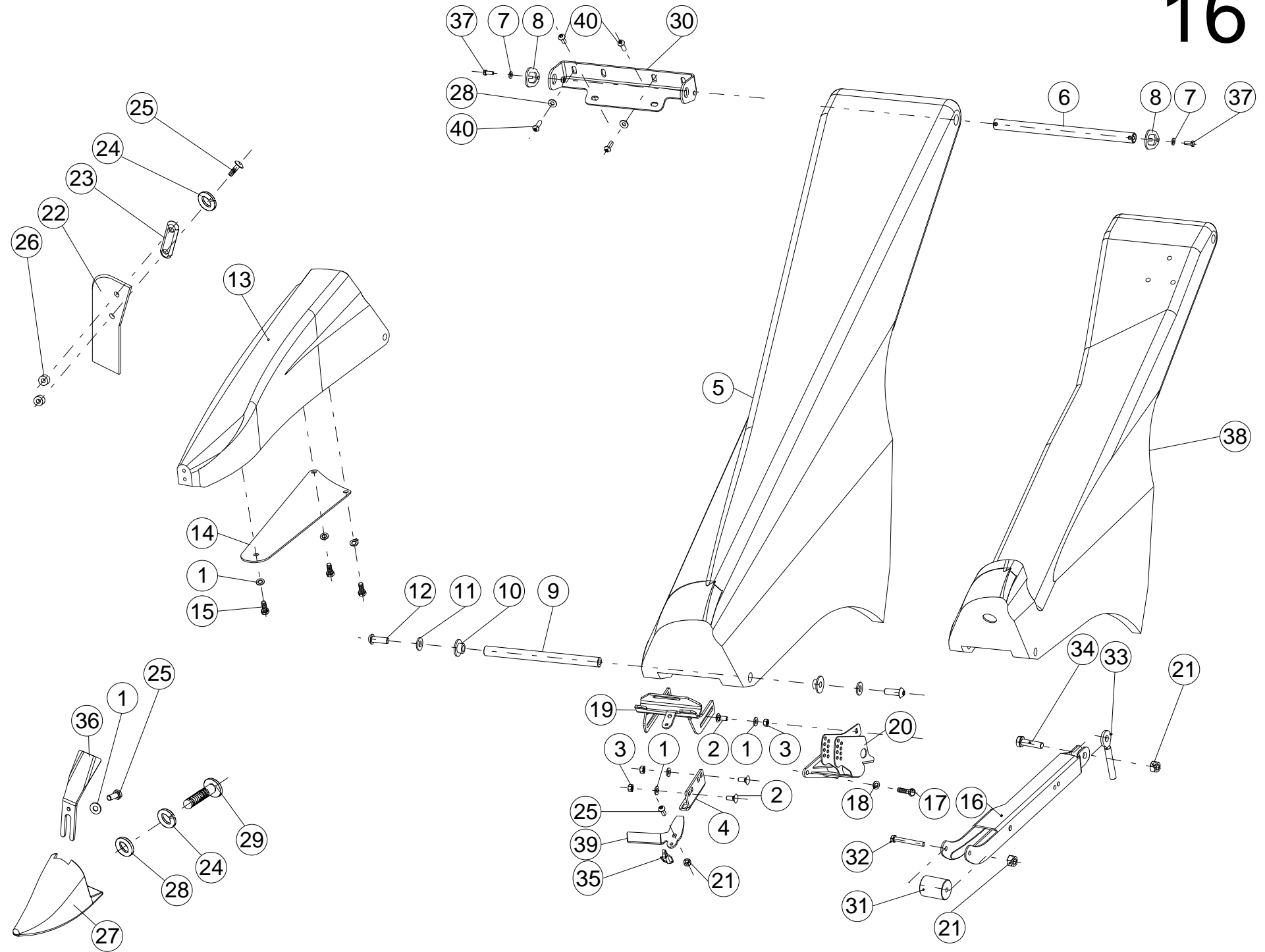


2023.

Ref.	Part number	Description		
61.	79410002566	Hex bolt - M10X25 - DIN933/8.8		12
*62.	1.380.497	Shim (1mm)		4
63.	77208004560	Eye bolt - A2K M8X45 - DIN44/LB		2
64.	74908000066	Hex nut - plastic insert - M8 - DIN985		4
65.	79408003066	Hex bolt - M8X30 - DIN933/8.8		2
66.	79408008066	Hex bolt - M8X80 - DIN933/8.8		2
67.	79408006566	Hex head screw - M8X65 - DIN933/8.8		2
68.	1.377.902	Roll		2
69	1.378.269	Snout support arm welded		2
70.	1.373.148	Bracket welded		2
71.	81108001663	Hex socket button-head bolt - M8X16 - ISO7380/10.9		4
-	1.373.153	Ear saver kit for 28-30	(#3, 11, 34, 36, 49, 60, 70, 71)	2

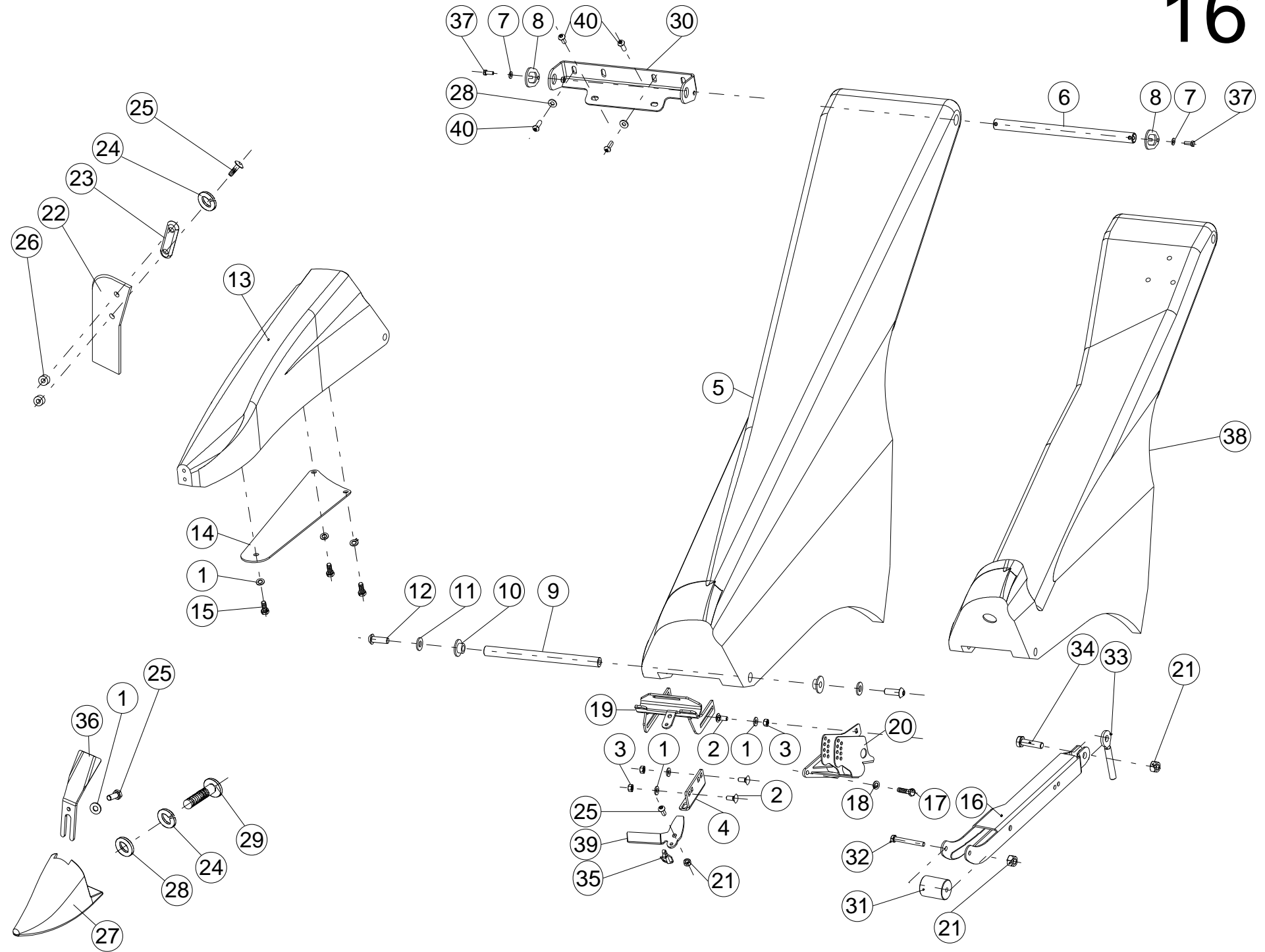
Note: * Application of shims if necessary.
Use above adjustable skid shoes only.

** Snout tip (6) is white for Standard gray colored poly, and black for all others.



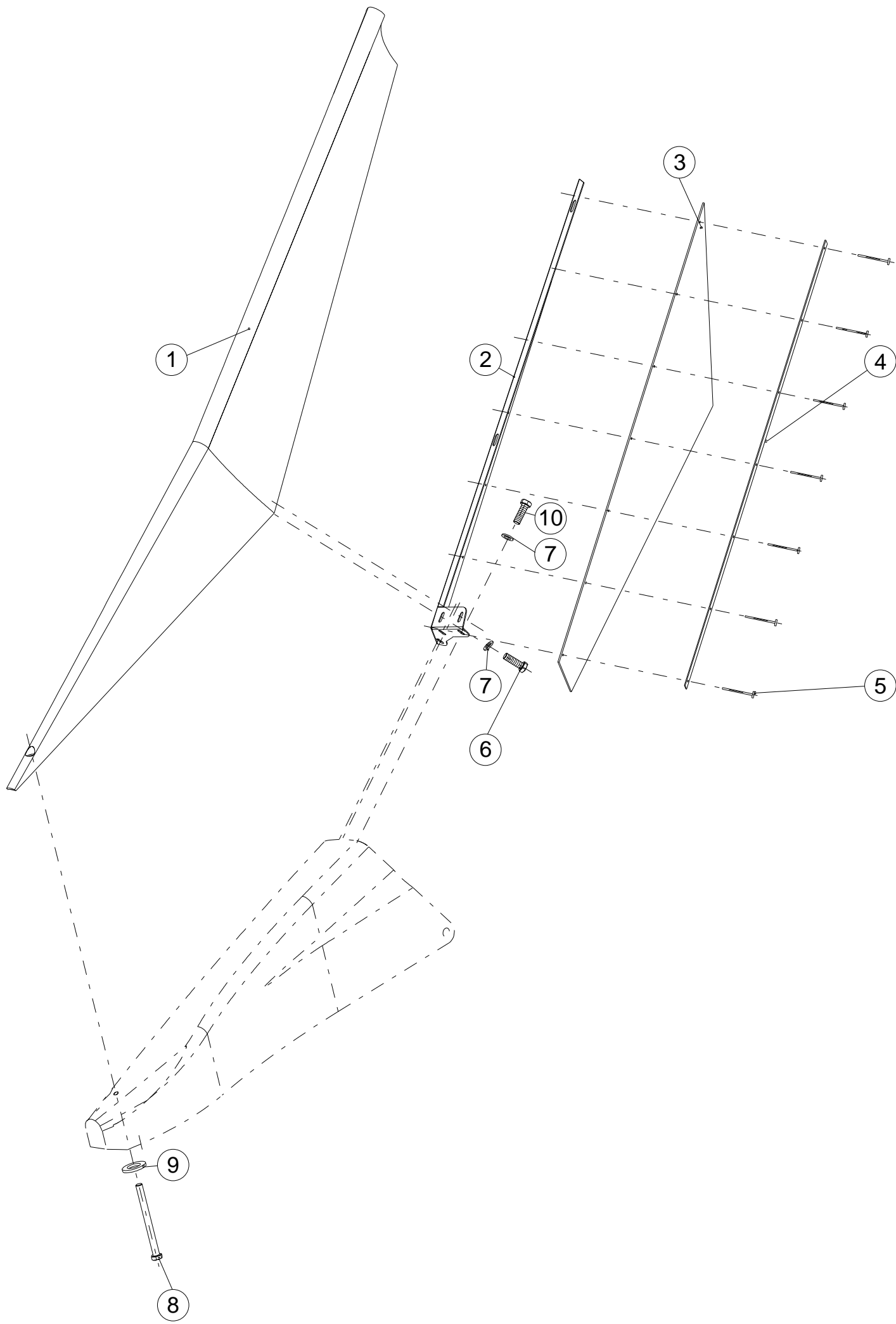
Ref.	Part number	Description		All models
1.	91623938761	Spring washer - 8X18 M8 - A8		24
2.	76308002066	Carriage bolt - M8X20 - DIN603/8.8		6
3.	73508000066	Hex nut - M8 - DIN934		14
4.	1.371.600	Bracket		2
5.	1.371.095.1	Outer divider - LH - CASE IH red		1
5.	1.371.095.2	Outer divider - LH - NH yellow		1
5.	1.371.095.3	Outer divider - LH - JD green		1
5.	1.371.095.10	Outer divider - LH - standard grey		1
5.	1.371.096.1	Outer divider - RH - CASE IH red		1
5.	1.371.096.2	Outer divider - RH - NH yellow		1
5.	1.371.096.3	Outer divider - RH - JD green		1
5.	1.371.096.10	Outer divider - RH - standard grey		1
6.	1.372.566	Hollow shaft		2
7.	91623938661	Lock washer - 6X14 - A6		4
8.	1.371.602	Retainer		4
9.	1.332.689	Hollow shaft - LH		1
9.	1.332.690	Hollow shaft - RH		1
10.	1.353.462	Spacer		4
11.	91623938961	Spring washer - A12		4
12.	78212003563	Hex socket button-head bolt TORX - M12X35 - ISO7380/10.9		4
13.	1.371.093.1	Outer snout - LH - CASE IH red		1
13.	1.371.093.2	Outer snout - LH - NH yellow		1
13.	1.371.093.3	Outer snout - LH - JD green		1
13.	1.371.093.10	Outer snout - LH - standard gray		1
13.	1.371.094.1	Outer snout - RH - CASE IH red		1
13.	1.371.094.2	Outer snout - RH - NH yellow		1
13.	1.371.094.3	Outer snout - RH - JD green		1
13.	1.371.094.10	Outer snout - RH - standard gray		1
14.	1.376.676	Plate		2
15.	79408001666	Hex head screw - M8X16 - DIN933/8.8		6
16.	1.372.861	LH End snout support		1
16.	1.372.862	RH End snout support		1
17.	79410002566	Hex bolt - M10X25 - DIN933/8.8		6
18.	91623938861	Spring washer - 10,2X22,25X1,6 - A10		6
19.	1.371.166	Support welded - LH		1
19.	1.369.122	Support welded - RH		1
20.	1.377.960	Arm welded - LH		1
20.	1.377.961	Arm welded - RH		1
21.	70708000066	Lock nut - M8 - DIN980		6
22.	1.329.163	Rubber earsaver		2
23.	1.329.164	Rubber backing plate		2
24.	72208000060	Spring washer - M8 - DIN128/A		6
25.	78208002063	Hex socket button-head bolt - M8X20 - ISO7380/10.9		4
26.	1.329.747	Spacer		4
**27.	1.373.997	Skid shoe - black		2
**27.	1.373.997A	Skid shoe - white		2
28.	1.314.099	Washer - M8		10
29.	79308010063	Hex bolt - M8X100 - DIN931/10.9		2
30.	1.371.159	Holder - Outer divider		2
31.	1.377.902	Roll		2
32.	79408006566	Hex head screw - M8X65 - DIN933/8.8		2
33.	77208004560	Eye bolt - A2K M8X45 - DIN44/LB		2
34.	79408003066	Hex bolt - M8X30 - DIN933/8.8		2
35.	96716002720	Lynch pin - 6x27 - DIN1382		2
36.	1.373.998	Snout tip extension		2
37.	79406001666	Hex head screw - M6X16 - DIN933		4
***38.	-	See items 21. on page 18.!		
39.	1.371.172	Retainer - LH		1
39.	1.371.173	Retainer - RH		1
40.	78208002563	Hex socket button-head bolt TORX - M8X25 - ISO7380/10.9		6
-	1.376.693.1	Outer divider cpl. - LH - red	(#1, 13-15, 22-29)	1
-	1.376.693.2	Outer divider cpl. - LH - yellow	(#1, 13-15, 22-29)	1
-	1.376.693.3	Outer divider cpl. - LH - JD green	(#1, 13-15, 22-29)	1
-	1.376.693.10	Outer divider cpl. - LH - standard grey	(#1, 13-15, 22-29)	1
-	1.376.694.1	Outer divider cpl. - RH - red	(#1, 13-15, 22-29)	1
-	1.376.694.2	Outer divider cpl. - RH - yellow	(#1, 13-15, 22-29)	1
-	1.376.694.3	Outer divider cpl. - RH - JD green	(#1, 13-15, 22-29)	1

Note: ** Snout tip (32) is white for Standard gray colored poly, and black for all others.
*** In case of Rotary divider

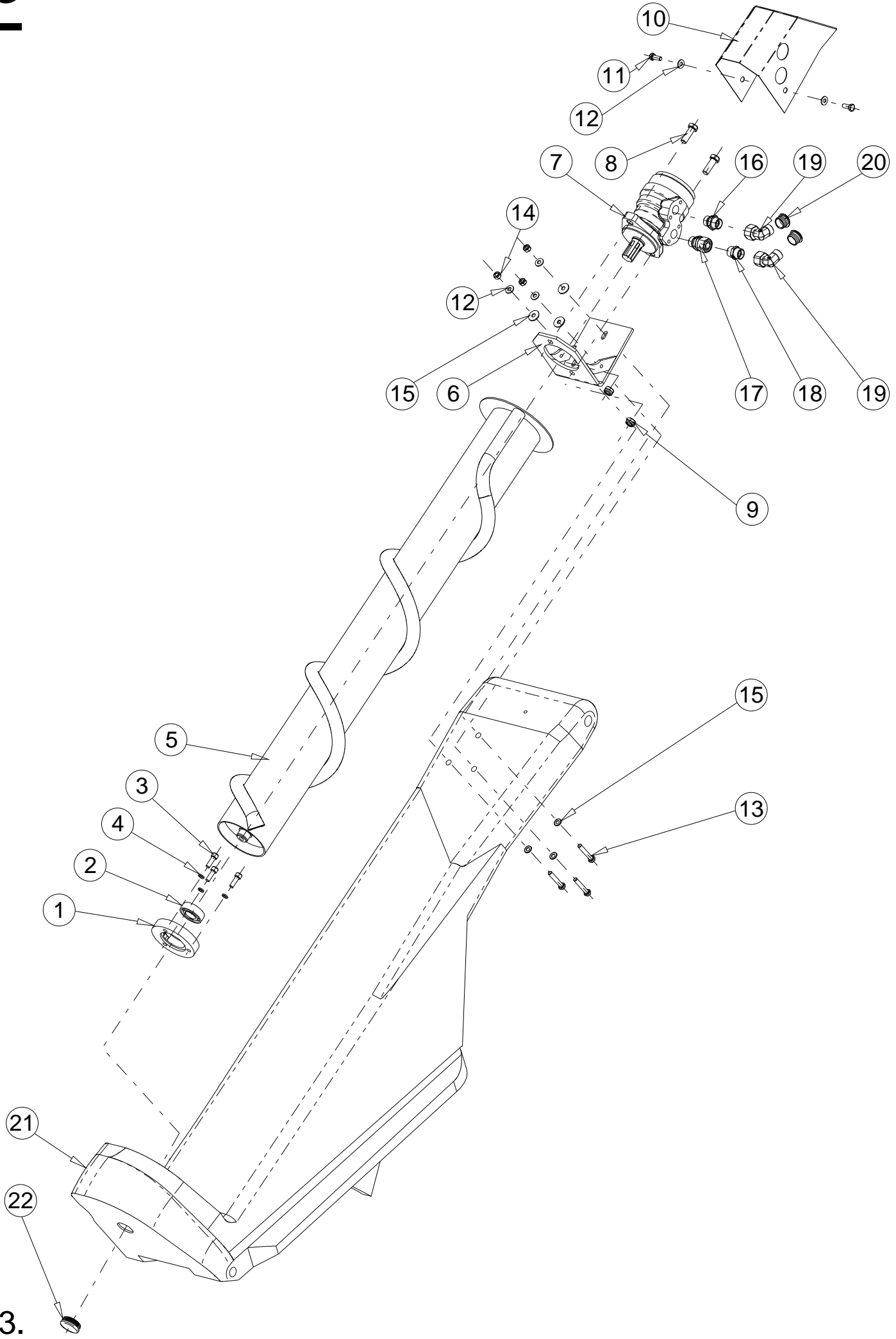


Ref.	Part number	Description		All models
-	1.376.694.10	Outer divider cpl. - RH - standard grey	(#1, 13-15, 22-29)	1

Note: ** Snout tip (32) is white for Standard gray colored poly, and black for all others.
 *** In case of Rotary divider

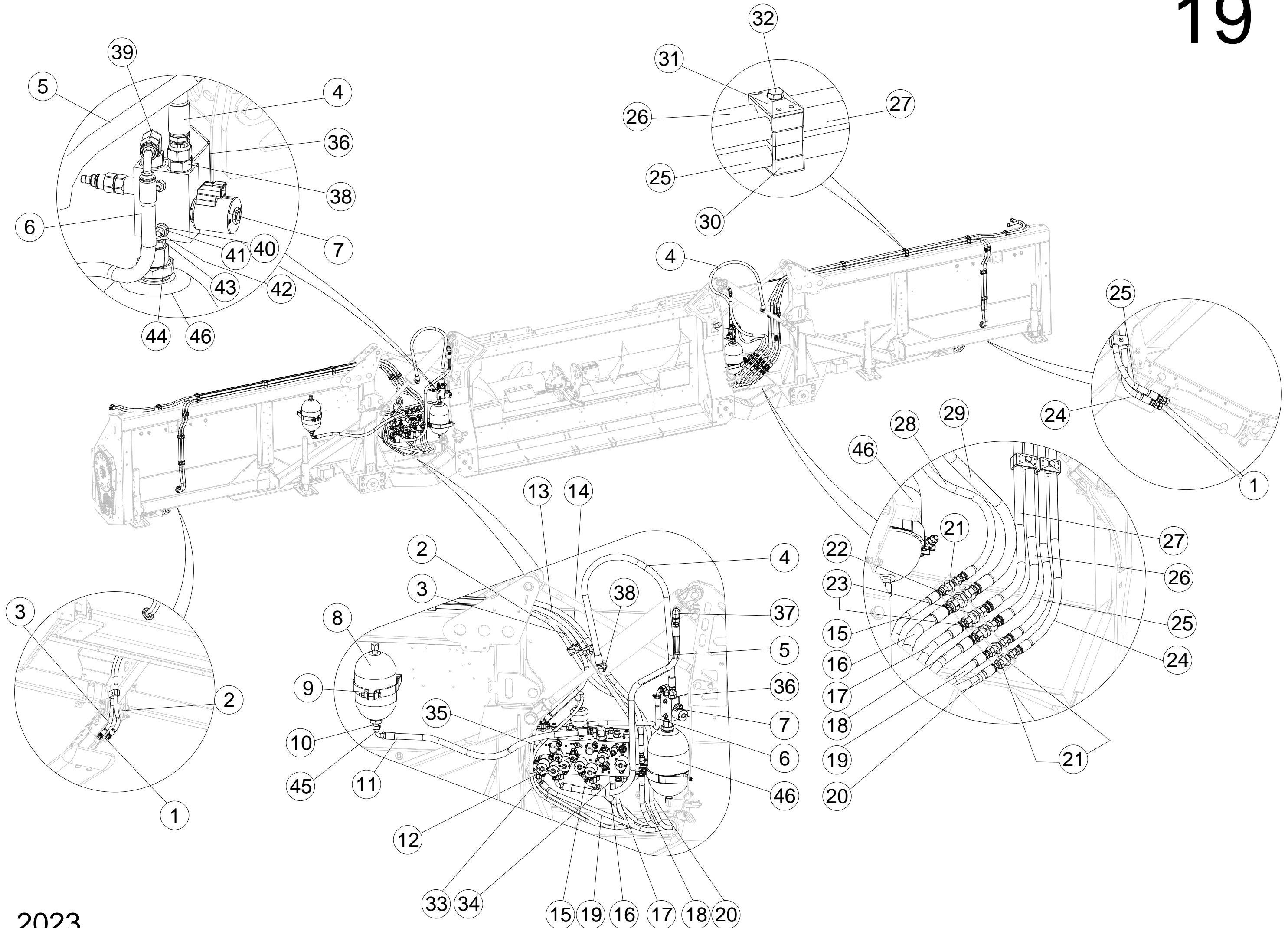


Ref.	Part number	Description		All models
1.	1.377.382.1	Side extension - LH - CASE IH red		1
1.	1.377.382.2	Side extension - LH - NH yellow		1
1.	1.377.382.3	Side extension - LH - JD green		1
1.	1.377.382.10	Side extension - LH - chassis gray		1
1.	1.377.383.1	Side extension - RH - CASE IH red		1
1.	1.377.383.2	Side extension - RH - NH yellow		1
1.	1.377.383.3	Side extension - RH - JD green		1
1.	1.377.383.10	Side extension - RH - chassis gray		1
2.	1.372.865	Support - LH		1
2.	1.372.866	Support - RH		1
3.	1.372.946	Rubber curtain		2
4.	1.377.428	Flat bar		2
5.	84304001200	POP rivet - 4X12 - DIN7337		14
6.	79408002066	Hex bolt - M8X20 - DIN933/8.8		8
7.	91623938761	Spring washer - 8X18 M8 - A8		14
8.	79408010066	Hex bolt - M8X100 - DIN933/8.8		2
9.	1.314.099	Washer - M8		2
10.	79408002566	Hex head screw - M8X25 - DIN933/8.8		6
-	1.377.425.1	Side extension assy. - LH - CASE IH red	(#1-10)	1
-	1.377.425.2	Side extension assy. - LH - NH yellow	(#1-10)	1
-	1.377.425.3	Side extension assy. - LH - JD green	(#1-10)	1
-	1.377.425.10	Side extension assy. - LH - chassis gray	(#1-10)	1
-	1.377.426.1	Side extension assy. - RH - CASE IH red	(#1-10)	1
-	1.377.426.2	Side extension assy. - RH - NH yellow	(#1-10)	1
-	1.377.426.3	Side extension assy. - RH - JD green	(#1-10)	1
-	1.377.426.10	Side extension assy. - RH - chassis gray	(#1-10)	1

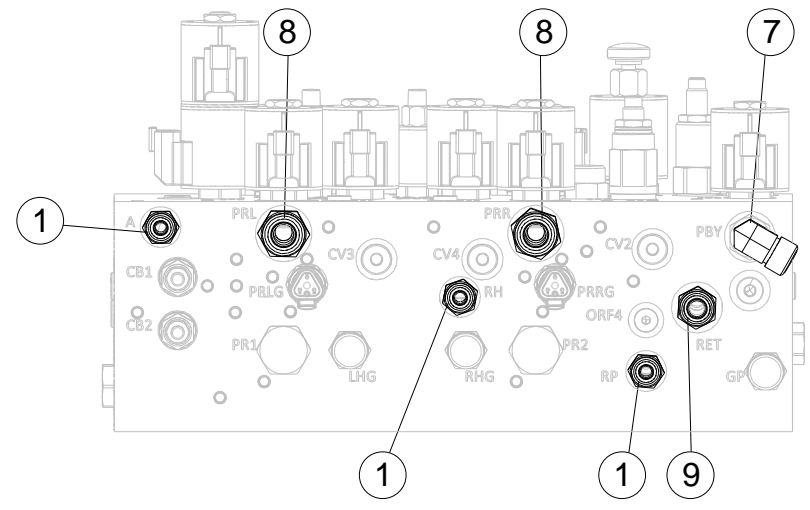
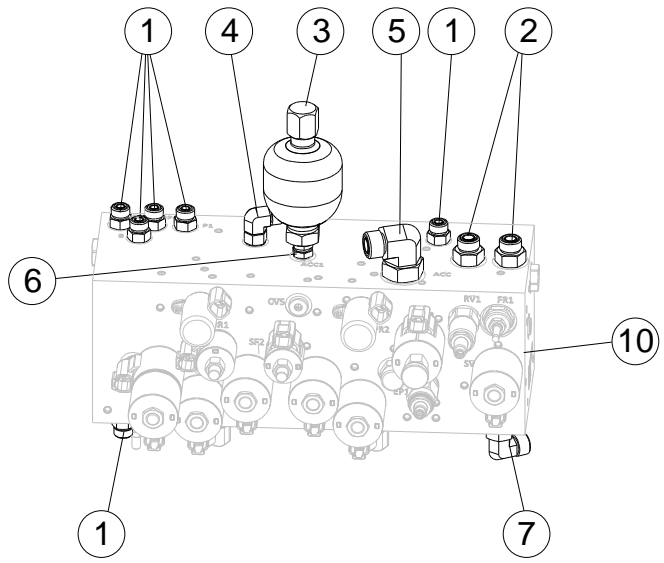
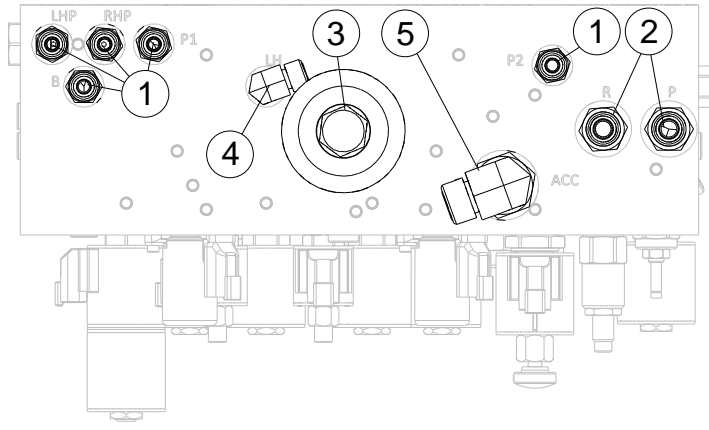


2023.

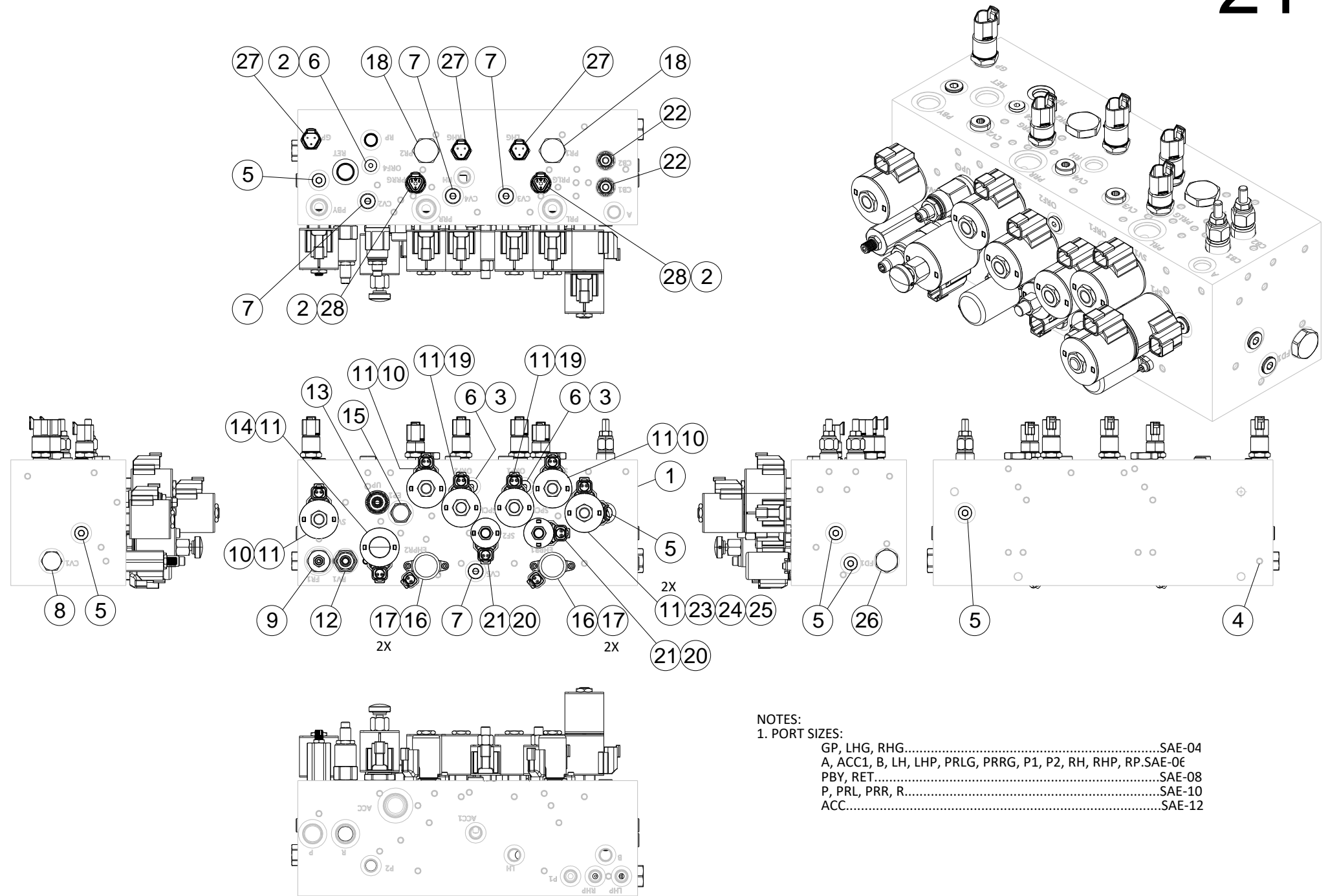
Ref.	Part number	Description		All models
1.	1.378.822	Bearing housing		2
2.	87030620514	Bearing - 6205-2RS		2
3.	80208002566	Hex socket head cap bolt - M8X25 - DIN912/8.8		6
4.	71808000060	Spring washer - M8 - DIN7980		6
5.	1.378.808	Rotary End Divider welded- LH		1
5.	1.378.809	Rotary End Divider welded- RH		1
6.	1.378.825	Bracket welded		2
7.	1.378.835	Hydraulic motor - MR50 SHD		2
8.	79412003566	Hex bolt - M12X35 - DIN933/8.8		4
9.	74912000066	Hex nut - plastic insert - M12 - DIN985/8.		4
10.	1.378.830	Cover welded - LH		1
10.	1.378.831	Cover welded - RH		1
11.	79408002066	Hex bolt - M8X20 - DIN933/8.8		4
12.	91623938761	Spring washer - 8X18 M8 - A8		10
13.	79408005066	Hex bolt - M8X50 - DIN933/8.8		6
14.	74908000066	Hex nut - plastic insert - M8 - DIN985		6
15.	96701314099	Washer - M8 8,4X25X3,0		12
16.	1.378.858	Fitting - GE 15 LREDDOMD		2
17.	1.378.859	Fitting - EVGE 15 LRED		2
18.	1.378.861	Fitting - GE 15 LCF		2
19.	1.378.860	Fitting - 90 deg EVW 15 LOMD		4
20.	1.322.794	Plastic plug		4
21.	1.373.502.1	Outer divider - LH - CASE IH red		1
21.	1.373.502.2	Outer divider - LH - NH yellow		1
21.	1.373.502.3	Outer divider - LH - JD green		1
21.	1.373.502.10	Outer divider - LH - standard grey		1
21.	1.373.503.1	Outer divider - RH - CASE IH red		1
21.	1.373.503.2	Outer divider - RH - NH yellow		1
21.	1.373.503.3	Outer divider - RH - JD green		1
21.	1.373.503.10	Outer divider - RH - standard grey		1
22.	54000111532	Rubber plug O45		2
-	1.372.376.1	Rotary End Divider cpl. LH - with CASE IH red covers	(#1-22)	1
-	1.372.376.2	Rotary End Divider cpl. LH - with NH yellow covers	(#1-22)	1
-	1.372.376.3	Rotary End Divider cpl. LH - with JD green covers	(#1-22)	1
-	1.372.376.10	Rotary End Divider cpl. LH - with standard grey covers	(#1-22)	1
-	1.372.377.1	Rotary End Divider cpl. RH - with CASE IH red covers	(#1-22)	1
-	1.372.377.2	Rotary End Divider cpl. RH - with NH yellow covers	(#1-22)	1
-	1.372.377.3	Rotary End Divider cpl. RH - with JD green covers	(#1-22)	1
-	1.372.377.10	Rotary End Divider cpl. RH - with standard grey covers	(#1-22)	1
-	1.378.862	Rotary End Divider - LH assy.	(#1-19)	1
-	1.378.863	Rotary End Divider - RH assy.	(#1-19)	1



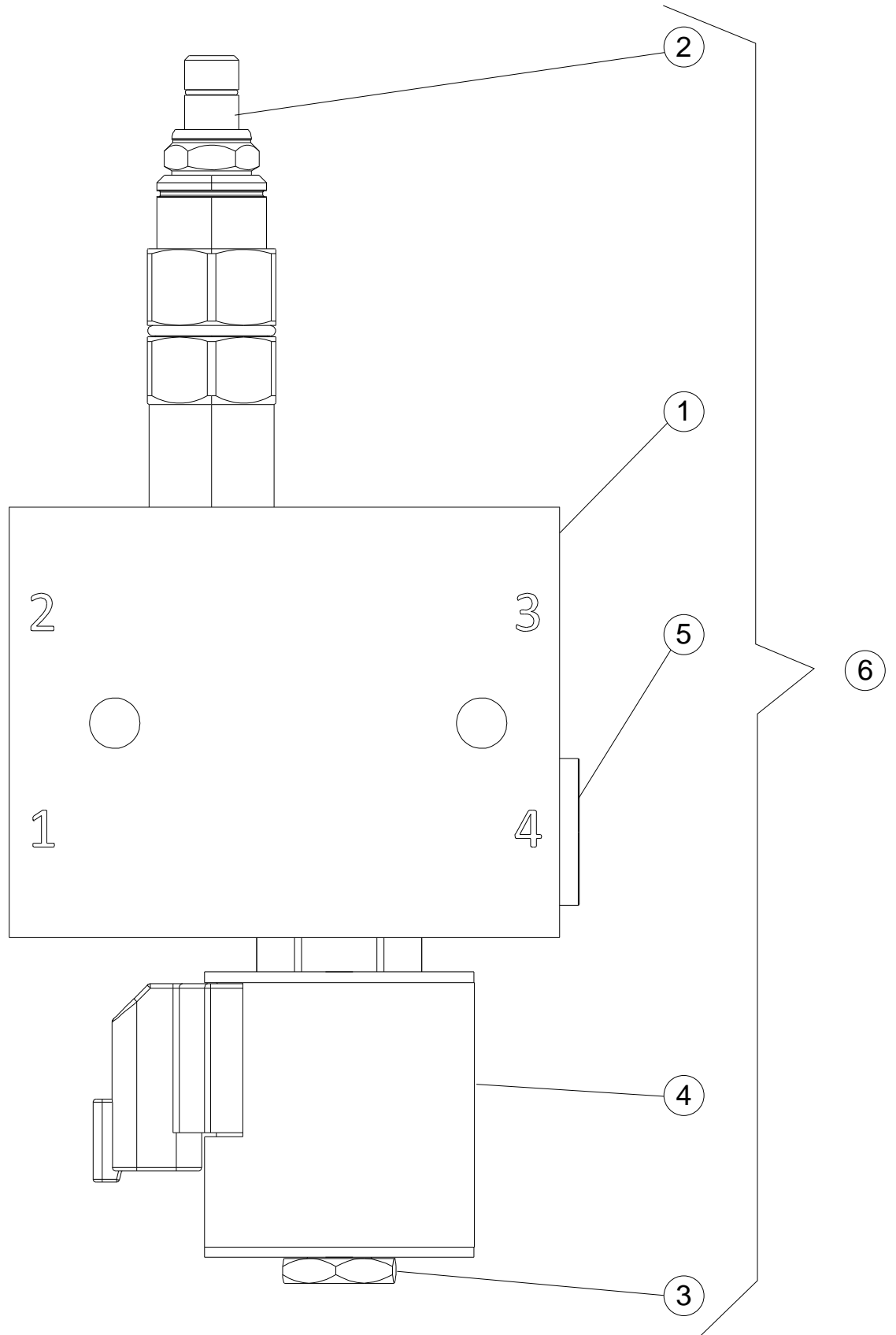
Ref.	Part number	Description		
1.	135778	FITTING - ADAPTER SAE 6MORFS-6MORB		4
2.	1.380.402	Hydraulic hose	12R (LH Skid Cap)	1
2.	1.380.591	Hydraulic hose	16R (LH Skid Cap)	1
3.	1.380.597	Hydraulic hose	12R (LH Skid Rod)	1
3.	1.380.596	Hydraulic hose	16R (LH Skid Rod)	1
4.	1.380.388	Hydraulic hose		2
5.	1.380.587	Hydraulic hose	(PRL)	2
6.	1.380.393	Hydraulic hose		2
7.	-	See "ACCUMULATOR VALVE BLOCK" for details.		2
8.	277406	Tank - Accumulator - Control	Precharged	1
9.	277495	CLAMP-ACCUMULATOR SUPPORT		3
10.	135786	FITTING-ADAPTER SAE 10MORB-12MORFS		3
11.	1.380.411	Hydraulic hose		1
12.	-	See "Hydraulic Manifold - fittings" and "Hydraulic Manifold" for details.	-	1
13.	1.380.399	Hydraulic hose	12R (PBY)	1
13.	1.380.584	Hydraulic hose	16R (PBY)	1
14.	1.380.404	Hydraulic hose		1
15.	1.380.590	Hydraulic hose	(RH)	1
16.	1.380.588	Hydraulic hose	(PPR)	1
17.	1.380.585	Hydraulic hose	(RET)	1
18.	1.380.595	Hydraulic hose		1
19.	1.380.394	Hydraulic hose		1
20.	1.380.592	Hydraulic hose		1
21.	136145	FITTING - BLKHD UNION SAE MORFS 6-6		3
22.	136386	FITTING - BLKHD SAE MORFS 10-10		1
23.	136253	FITTING - BLKHD SAE MORFS 8-8		2
24.	1.380.403	Hydraulic hose	12R (RH Skid Rod)	1
24.	1.380.593	Hydraulic hose	16R (RH Skid Rod)	1
25.	1.380.402	Hydraulic hose	12R (RH Skid Cap)	1
25.	1.380.591	Hydraulic hose	16R (RH Skid Cap)	1
26.	1.380.400	Hydraulic hose	12R (RED1)	1
26.	1.380.586	Hydraulic hose	16R (RED1)	1
27.	1.380.400	Hydraulic hose	12R (RED2)	1
27.	1.380.586	Hydraulic hose	16R (RED2)	1
28.	1.380.589	Hydraulic hose		1
29.	1.380.393	Hydraulic hose		1
30.	97308040102	Clamp 18		48
31.	96708040102	Cover plate for size 18 clamp		18
32.	79308007566	Hex head screw - M8x75 - DIN933		18
33.	1.380.407	Hydraulic hose		1
34.	1.380.406	Hydraulic hose		1
35.	1.380.407	Hydraulic hose		1
36.	1.380.348	Holder		2
37.	136089	FITTING - ELBOW SAE 90 degrees 10MORFS-10MORB		2
38.	184461	FITTING - ADAPTER SAE 10MORFS-10MORB		2
39.	135917	FITTING - ELBOW SAE 90 degrees 8MORFS-10MORB		1
40.	91623938761	Spring washer - 8X18 M8 - A8		4
41.	73508000066	Hex nut - M8 - DIN934		4
42.	79308005566	Hex bolt - M8X55 - DIN931/8.8		4
43.	030969	FITTING - UNION SAE MORB 10-10		2
44.	349294	FITTING - ADAPTER SAE 12MORB-10FORB		2
45.	136075	Hose end		2
46.	349216	Tank - Accumulator - Lift (12R)	Precharged	2
46.	324975	Tank - Accumulator - Lift (16R)	Precharged	2



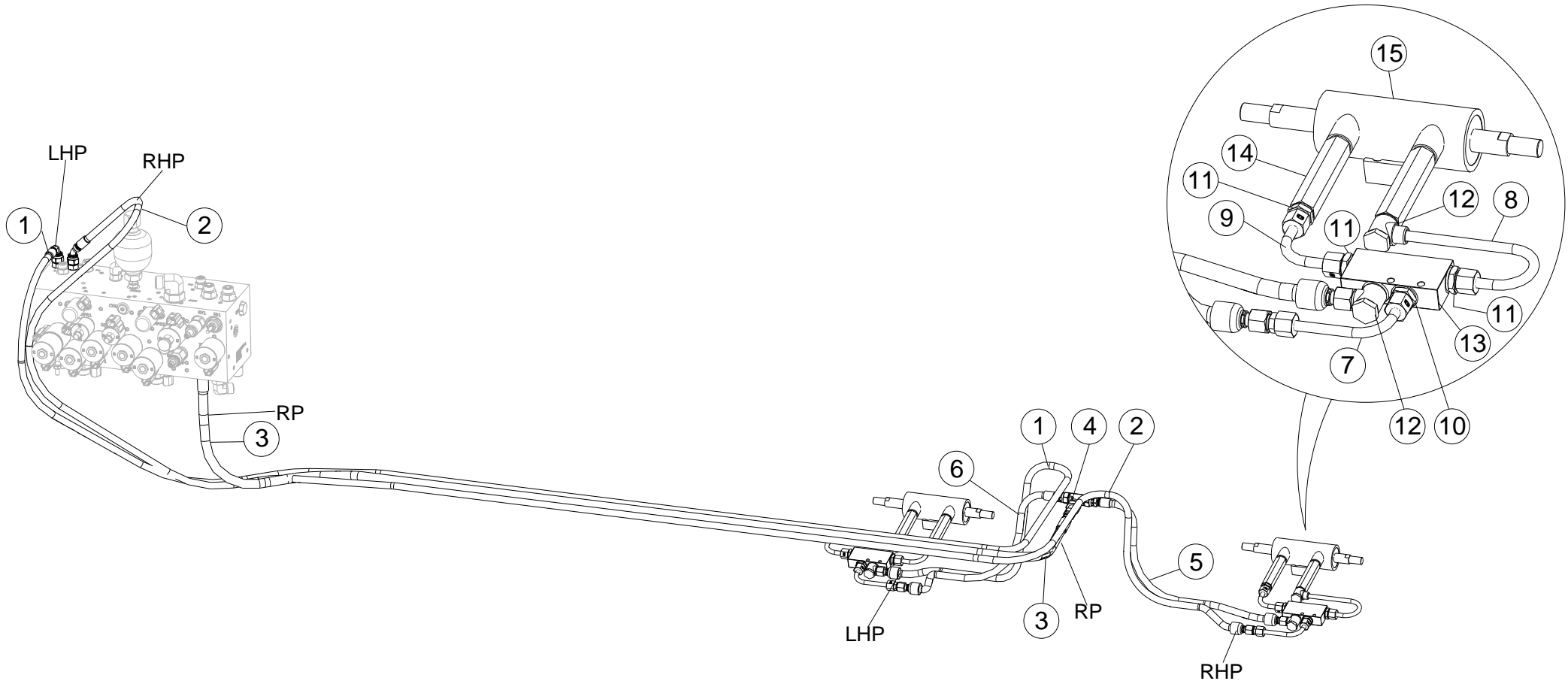
Ref.	Part number	Description		
1.	135778	FITTING - ADAPTER SAE 6MORFS-6MORB		8
2.	184463	FITTING - ADAPTER SAE 8MORFS-10MORB		2
3.	349741	Tank-Accumulator-PRR	Precharged	1
4.	136095	FITTING - ELBOW 90 Degrees SAE 6MORFS-6MORB		1
5.	136347	FITTING - ELBOW 90 Degrees SAE 10MORFS-12MORB		1
6.	136295	FITTING - UNION SAE MORB 6-6		1
7.	136220	FITTING - ELBOW 90 Degrees SAE 8MORFS-8MORB		1
8.	184461	FITTING - ADAPTER SAE 10MORFS-10MORB		2
9.	135780	FITTING - ADAPTER SAE 8MORFS-8MORB		1
10.	349191	MANIFOLD-HYDRAULIC FLEXCORN		1



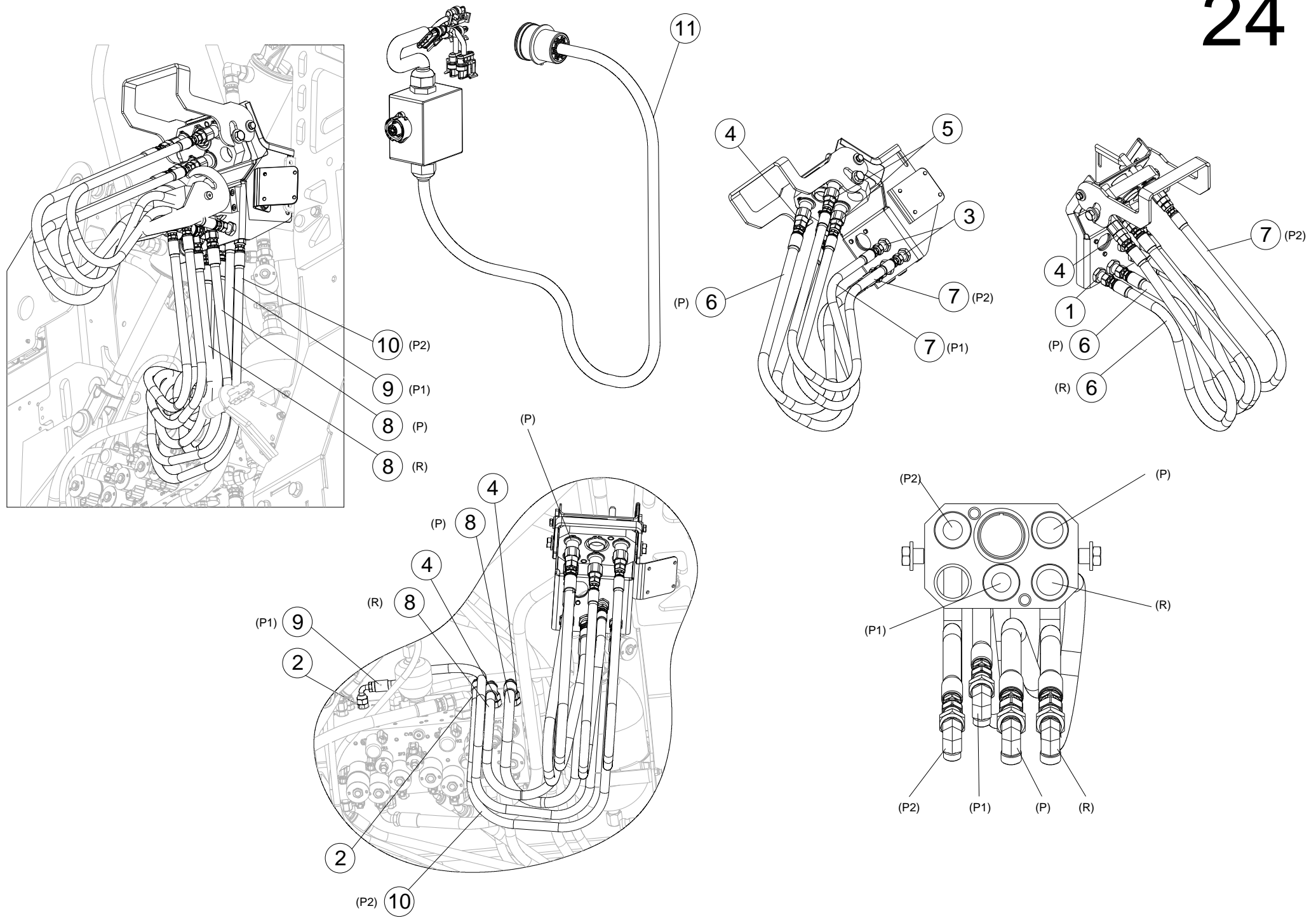
Ref.	Part number	Description		
1.	349191	MANIFOLD-HYDRAULIC FLEXCORN	Complete with cartridge valves.	1
2.	364927	PLUG-ORIFICE 0.025in		3
3.	364926	PLUG-ORIFICE 0.030in		2
4.	-	-		88
5.	364930	PLUG-SAE 06		6
6.	364931	PLUG-SAE 04		3
7.	352118	VALVE-CHECK-SIZE6		4
7.	364977	Seal kit		
8.	364932	VALVE-CHECK 25 PSI		1
8.	129710	Seal kit		
9.	364965	VALVE-PRIORITY FLOW REG 3 GPM		1
9.	364975	Seal kit		
10.	277848	VALVE-SOLENOID 2-WAY		3
10.	220908	Seal kit		
11.	209045	COIL-SOLENOID		8
12.	364934	VALVE-RELIEF 2000PSI		1
12.	129710	Seal kit		
13.	364935	VALVE-UNLOADING, 1700PSI		1
13.	364976	Seal kit		
14.	364939	VALVE-SOLENOID DBL BLOCKING		1
14.	364971	Seal kit		
15.	364940	VALVE-DIRECTIONAL, PILOTED		1
15.	252350	Seal kit		
16.	277598	VALVE-PROPORT PRESS REDUCER		2
16.	364972	Seal kit		
17.	320494	SCR-HEX SOC HD M4X0.7X12-8.8		4
18.	277588	VALVE-PRESS R/R SECOND STAGE		2
18.	364973	Seal kit		
19.	364941	VALVE-SOLENOID NC LOAD SENSE		2
19.	252352	Seal kit		
20.	364942	VALVE-SOLENOID		2
20.	129710	Seal kit		
21.	252319	COIL-SOLENOID		2
22.	364943	VALVE-COUNTERBALANCE 3:1		2
22.	364990	Seal kit		
23.	364962	VALVE-PROP, 5/3, BRAKE REL		1
23.	252353	Seal kit		
24.	252321	SPACER-COIL		1
25.	252333	VALVE-CHECK		1
26.	364963	VALVE-FLOW DIVIDER/COMBINER		1
26.	364974	Seal kit		
27.	352187	SENDER-PRESSURE, 3000PSI		3
28.	352186	SENDER-PRESSURE, 1015 PSI		2



Ref.	Part number	Description		
1.	NSS	-		1
2.	349844	VALVE-SEQUENCE		1
2.	364991	Seal kit		
3.	277848	VALVE-SOLENOID 2-WAY		1
3.	220908	Seal kit		
4.	209045	COIL-SOLENOID		1
5.	364964	PLUG-SAE -10		1
6.	349213	MANIFOLD-HYD ACCUMULATOR		1

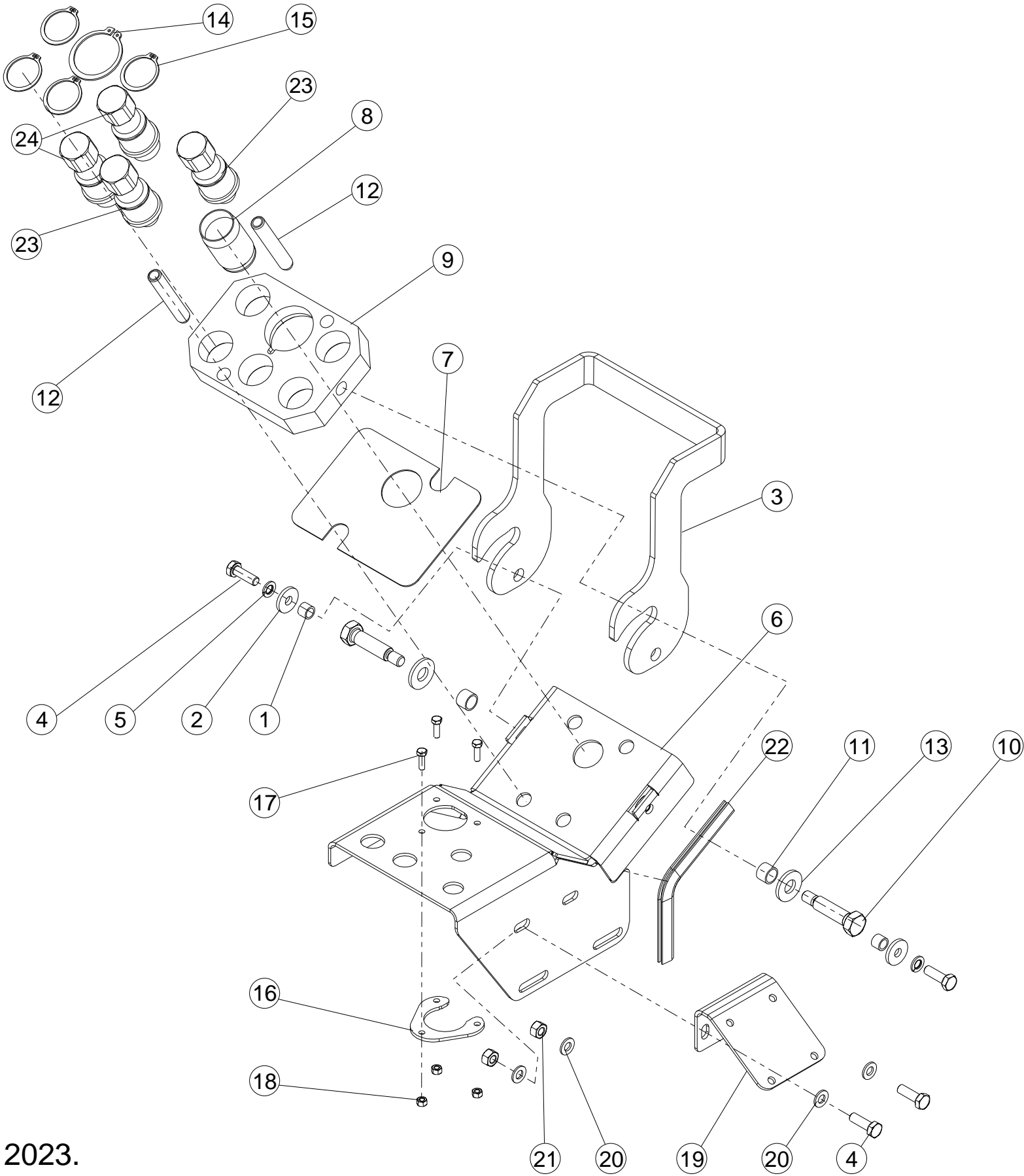


Ref.	Part number	Description		
1.	1.380.407	Hydraulic hose		1
2.	1.380.408	Hydraulic hose		1
3.	1.380.406	Hydraulic hose		1
4.	136514	FITTING - TEE HYD SAE MORFS 6-6-6		1
5.	1.380.410	Hydraulic hose		1
6.	1.380.409	Hydraulic hose		1
7.	1.379.457	Hydraulic tube		2
8.	1.373.449	Hydraulic tube		2
9.	1.373.991	Hydraulic tube		2
10.	1.379.776	Orifice DIA 0,5		2
11.	1.375.669	Fitting - GE8PLR-ED		6
12.	1.314.509	Fitting - SVWE 8 PL		4
13.	1.379.458	Dual controlled check valve - FPDLE 1/4 GS		2
14.	1.378.696	Fitting - GE8PLR-ED		4
15.	1.373.725	Hydraulic cylinder		2



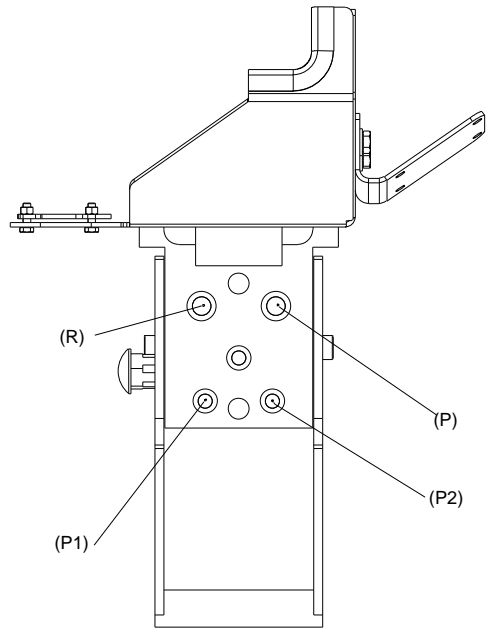
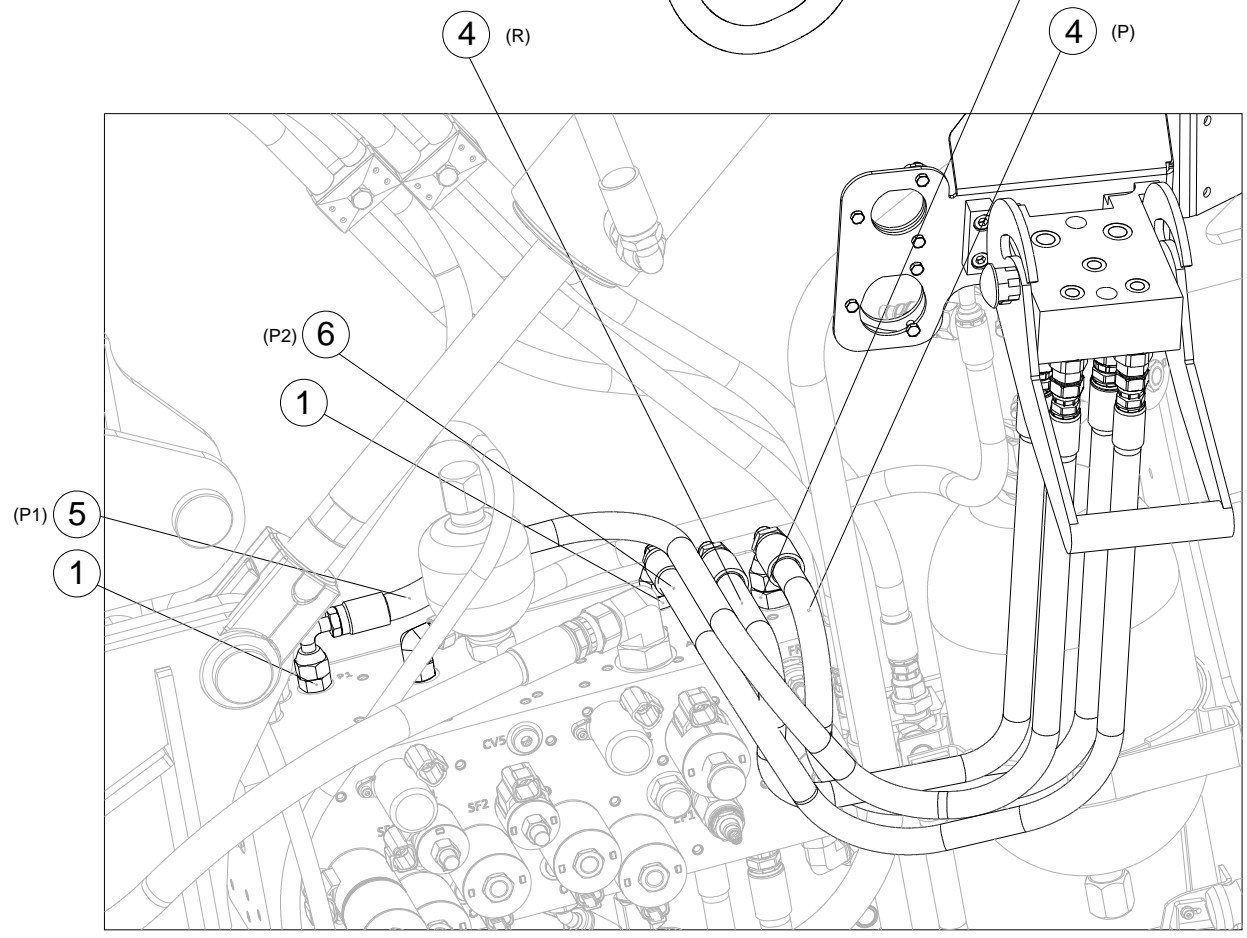
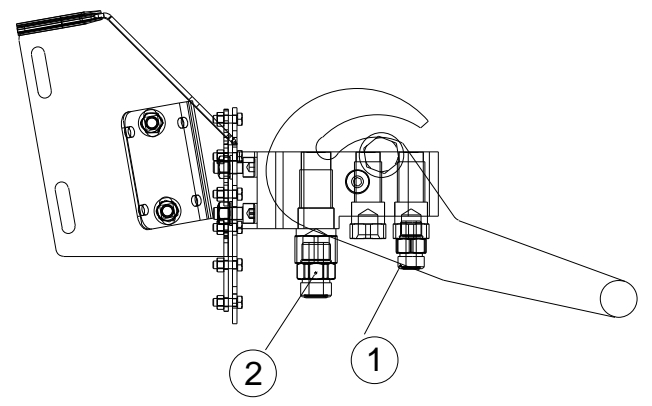
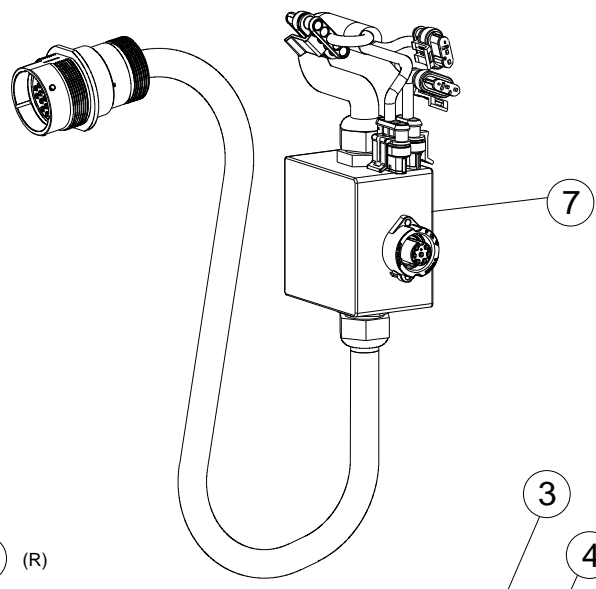
Ref.	Part number	Description		
1.	136244	FITTING - ELBOW SAE 90degree BLKHD MORFS 8-8		2
2.	135778	FITTING - ADAPTER SAE 6MORFS-6MORB		2
3.	136150	FITTING - ELBOW 90degree BLKHD SAE MORFS 6-6		2
4.	184463	FITTING - ADAPTER SAE 8MORFS-10MORB		4
5.	191705	FITTING - ADAPTER SAE 6MORFS-8MORB		2
6.	1.380.385	Hydraulic hose		2
7.	1.380.386	Hydraulic hose		2
8.	1.380.387	Hydraulic hose		2
9.	1.380.397	Hydraulic hose		1
10.	1.380.398	Hydraulic hose		1
11.	1.337.340	Cable assy.		1

25

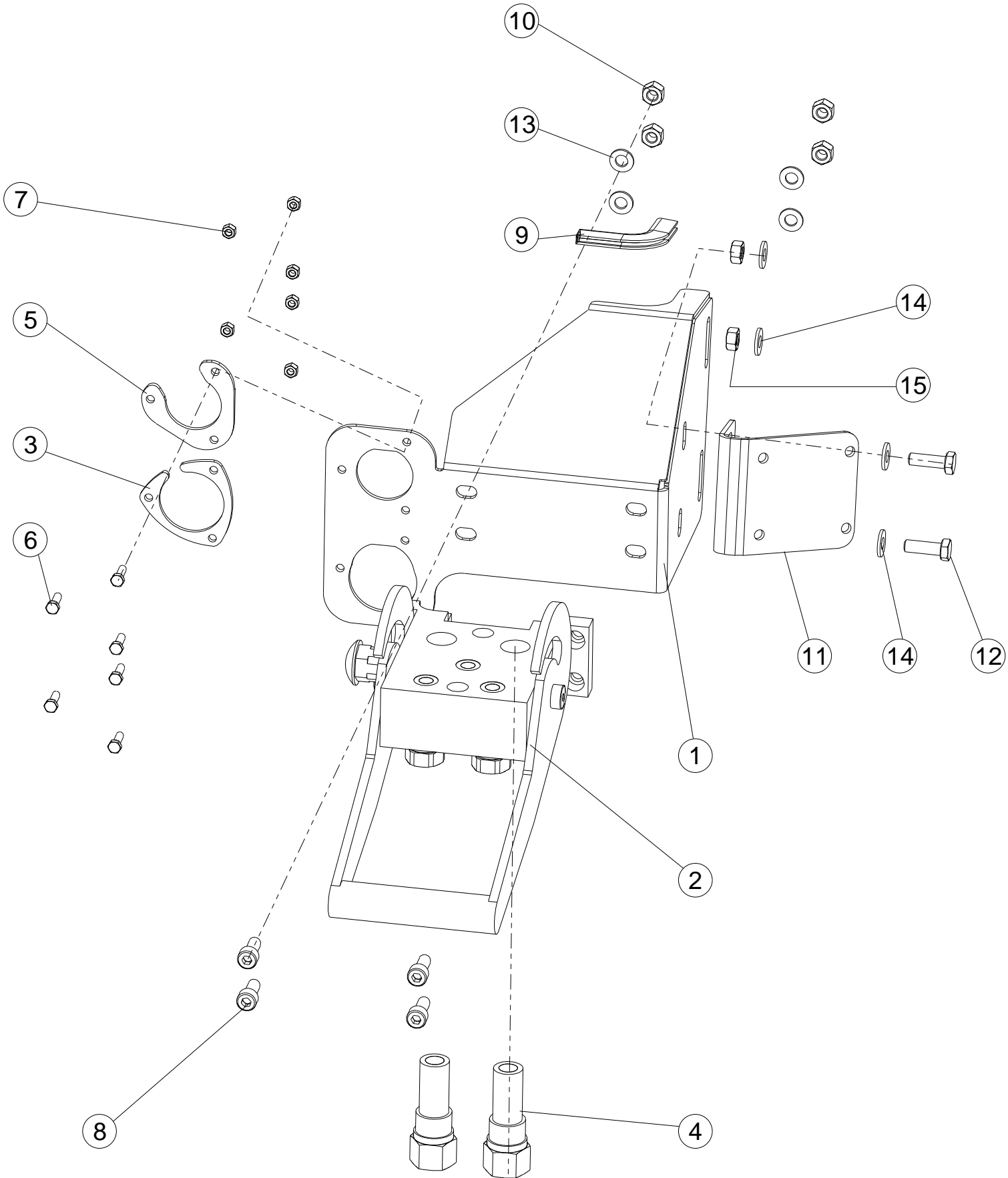


2023.

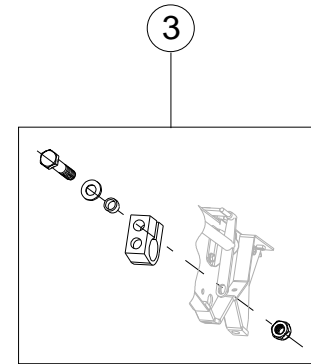
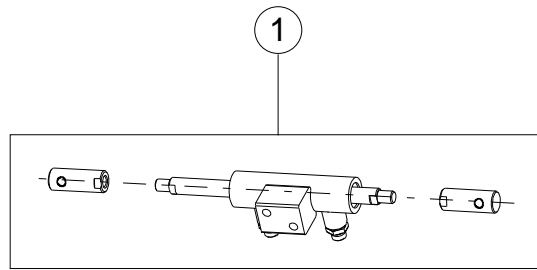
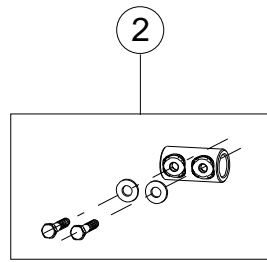
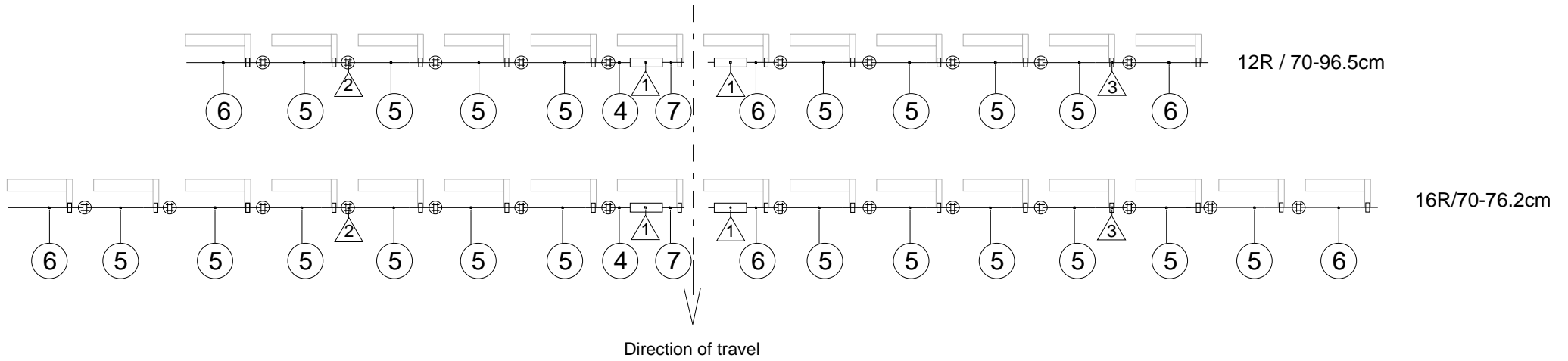
Ref.	Part number	Description		
1.	1.354.107	Spacer		2
2.	1.314.099	Washer - M8		2
3.	1.354.106	Arm		1
4.	79408002566	Hex head screw - M8X25 - DIN933/8.8		4
5.	72208000060	Spring washer - M8 - DIN128/A		1
6.	1.380.153	Hydraulic holder JD		1
7.	1.353.553	Pad - H201010		1
8.	1.353.552	Plug - H176288		1
9.	1.327.000	Support		1
10.	1.327.001	Screw		2
11.	1.327.002	Ring		2
12.	1.327.003	Pin		2
13.	1.377.251	Washer		2
14.	70200004561	Retainer ring - for shaft - D45X1.6 - DIN471		1
15.	1.327.052	Retainer ring - external - D32X1.3 - DIN471		4
16.	1.380.604	Plate		1
17.	79405001660	Hex bolt - M5X16 - DIN933/8.8		3
18.	73505000066	Hex nut - M5 - DIN934		3
19.	1.380.605	Holder		1
20.	71408000060	Washer - M8 8,4X16X1,6 - DIN125		4
21.	70708000066	Lock nut - M8 - DIN980		2
22.	96720070601	Strip 1-4,5mm (/m)		1
23.	1.327.054	Hydraulic quick-coupler - AH 171017		2
24.	1.329.890	Hydraulic quick-coupler		2



Ref.	Part number	Description		
1.	135778	FITTING - ADAPTER SAE 6MORFS-6MORB		2
2.	135780	FITTING - ADAPTER SAE 8MORFS-8MORB		2
3.	184463	FITTING - ADAPTER SAE 8MORFS-10MORB		2
4.	1.380.387	Hydraulic hose		2
5.	1.380.397	Hydraulic hose		1
6.	1.380.398	Hydraulic hose		3
7.	1.337.337	Cable assy.		1

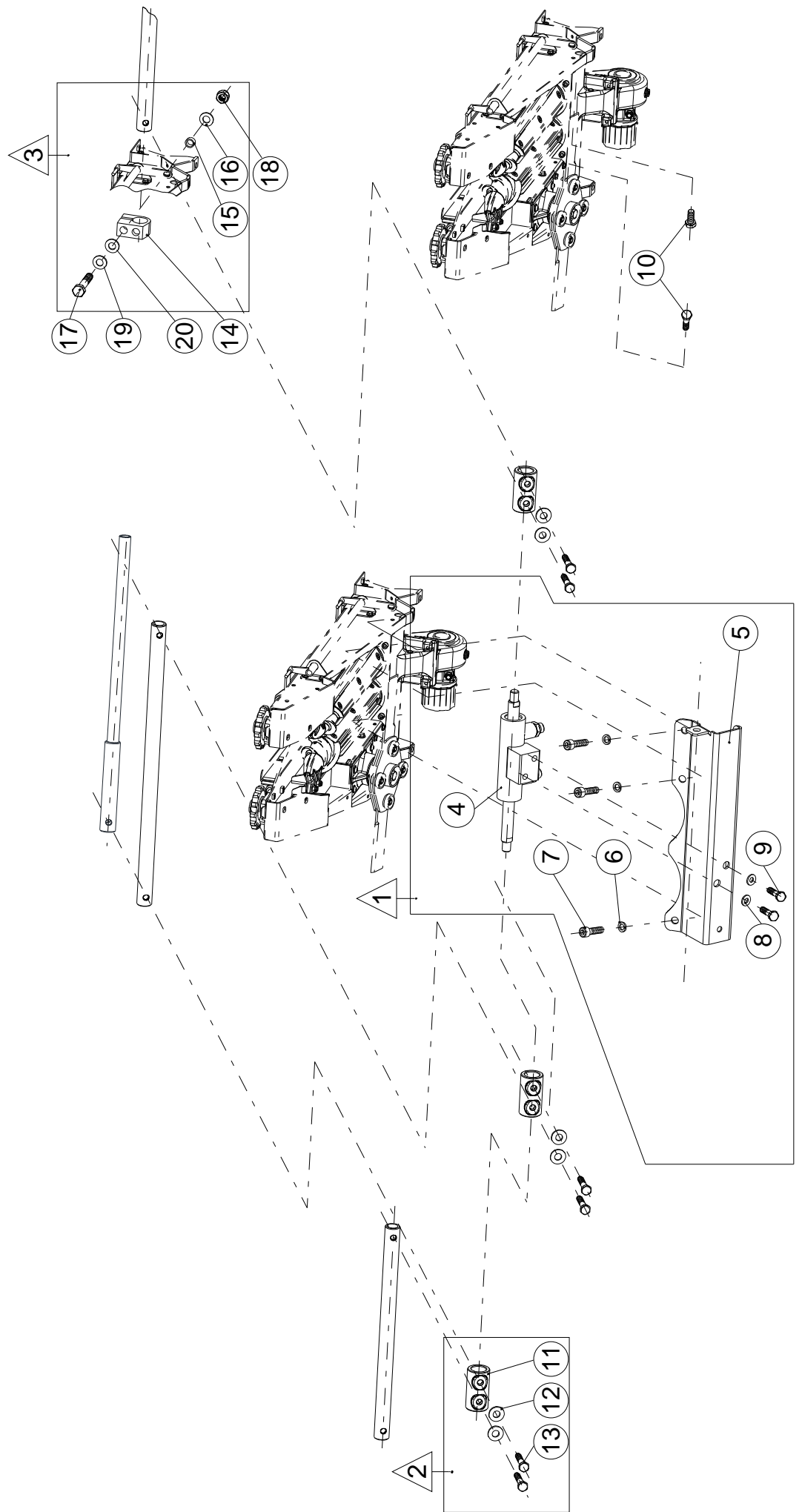


Ref.	Part number	Description		
1.	1.380.261	Holder - hydraulic		1
2.	1.327.510	Hydraulic multicoupler - 84435008		1
3.	1.327.148	Retaining plate		1
4.	1.332.515	Hydraulic quick-coupler - 3/4-16UNF - NH		2
5.	1.380.604	Plate		1
6.	79405001660	Hex bolt - M5X16 - DIN933/8.8		6
7.	73505000066	Hex nut - M5 - DIN934		6
8.	80208002066	Hex socket head bolt - M8X20 - DIN912/8.8		4
9.	96720070601	Strip 1-4,5mm (/m)		1
10.	70708000066	Lock nut - M8 - DIN980		4
11.	1.380.605	Holder		1
12.	79408002566	Hex head screw - M8X25 - DIN933/8.8		2
13.	71408000060	Washer - M8 8,4X16X1,6 - DIN125		4
14.	91623938761	Spring washer - 8X18 M8 - A8		4
15.	73508000066	Hex nut - M8 - DIN934		2



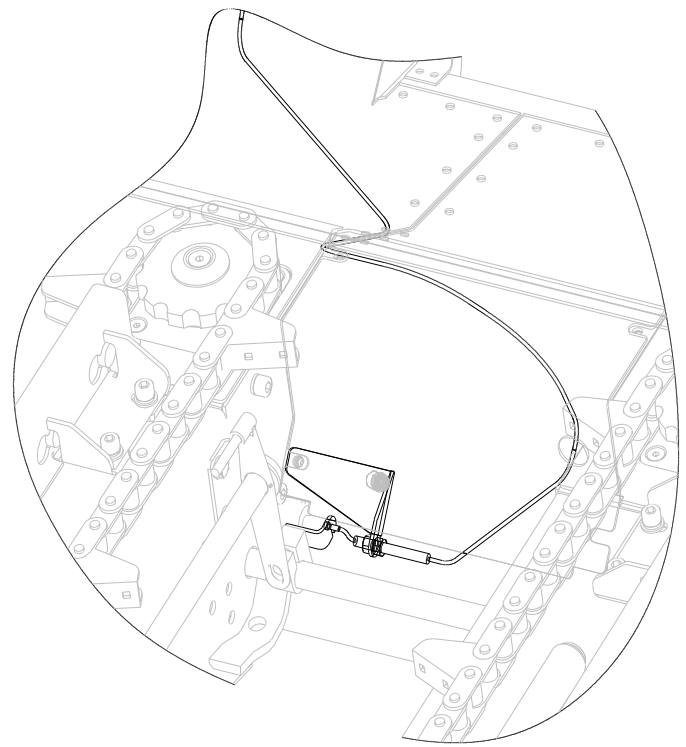
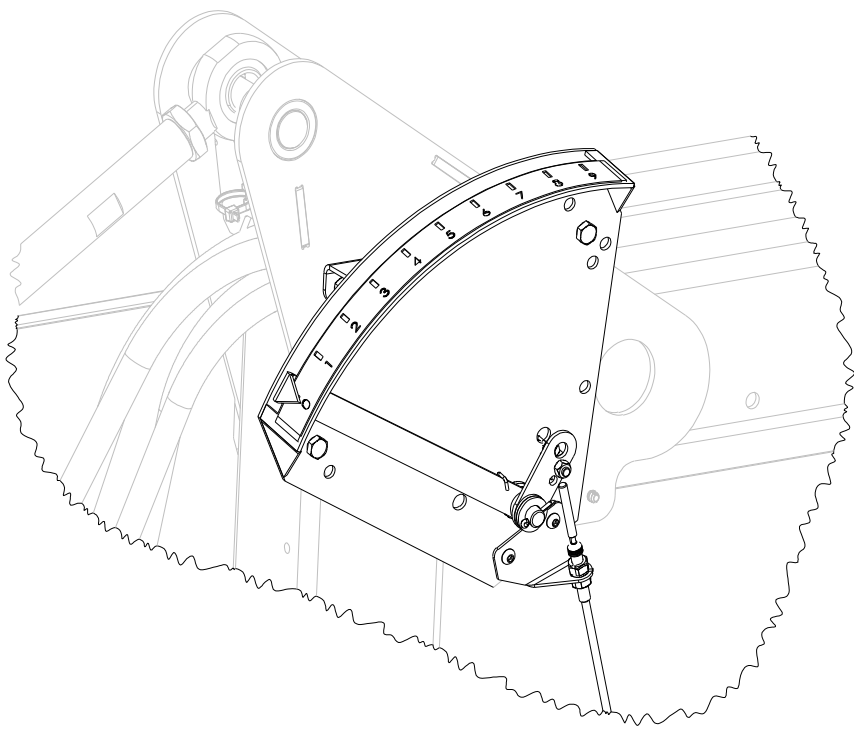
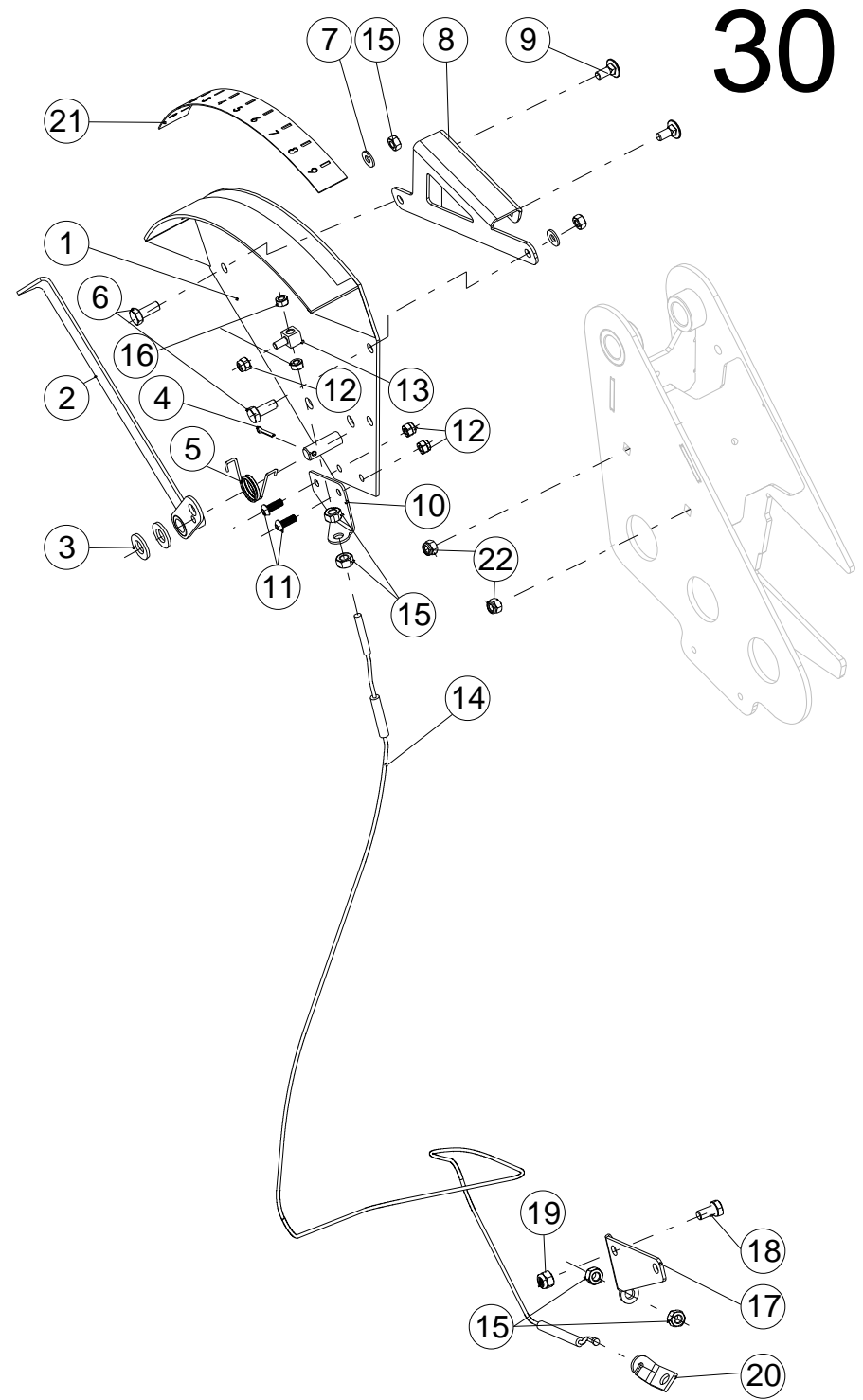
Ref.	Part number	Description		FC3012 FC3012C	FC3016 FC3016C
1.	-	Hydraulic cylinder and accessories (#4-9 on pg. 29)		2	2
2.	-	Bridge-piece and hardware (#11-13 on pg. 29)		10	14
3.	-	Clamp and hardware (#14-20 on pg. 29)		12	16
4.	1.373.733	Adjusting rod - RH - (l=240)		1	1
5.	1.377.845	Adjusting rod - (l=760)		8	12
6.	1.373.732	Adjusting rod - LH - (l=240)		3	3
7.	1.380.512	Adjusting rod welded - (l=217)		1	1

Note: The exploded view of items 1, 2 and 3 are shown on page 29.



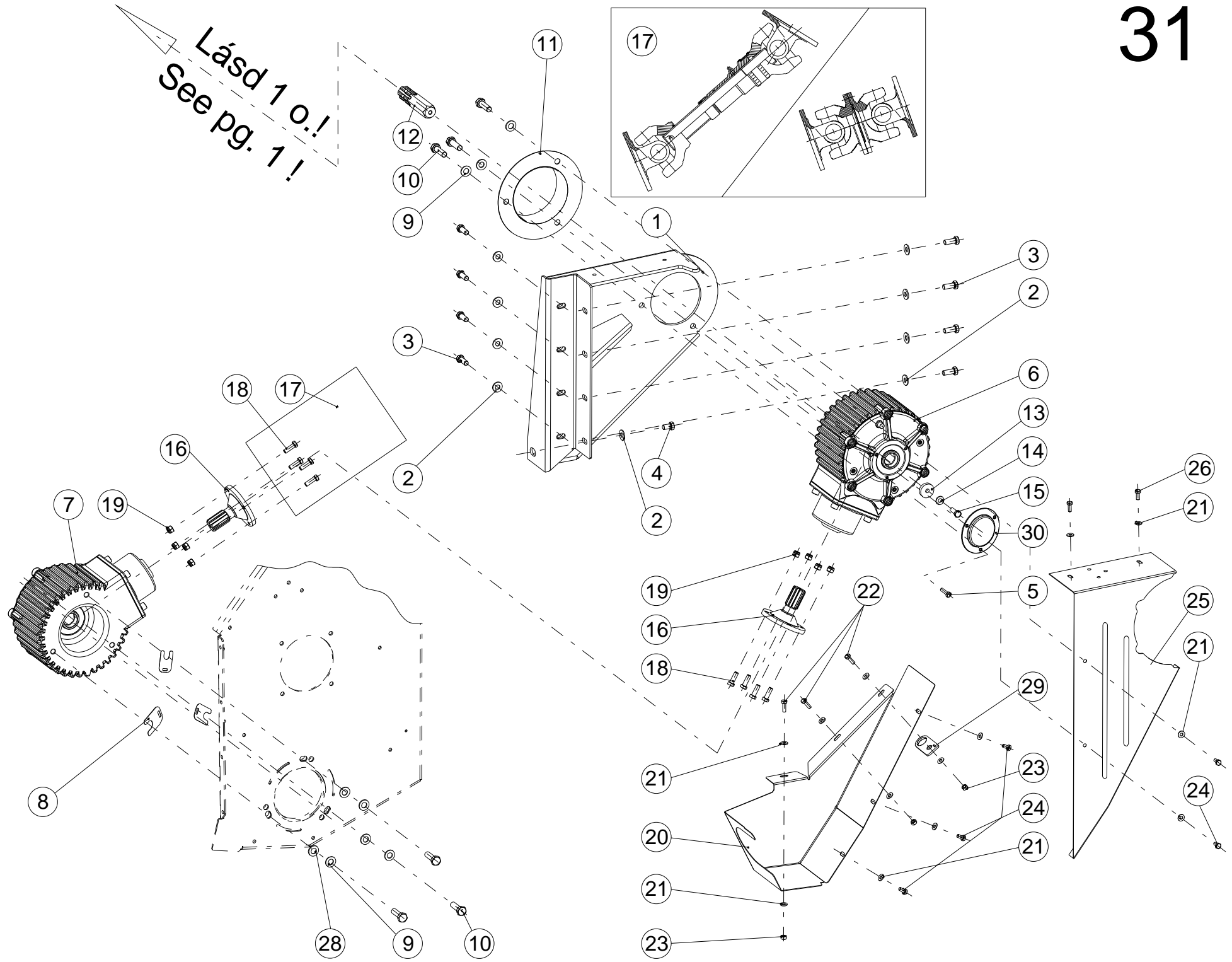
Ref.	Part number	Description			FC3012	FC3016
					FC3012C	FC3016C
4.	1.373.725	Hydraulic cylinder			1	1
*5.	1.373.730	Cylinder console			1	1
*6.	71810000060	Spring washer - M10 - DIN7980			3	3
*7.	80210003563	Hex socket head cap bolt - M10X35 - DIN912/10.9			3	3
8.	91623938861	Spring washer - 10,2X22,25X1,6 - A10			2	2
9.	79410001666	Hex bolt - M10X16 - DIN933/8.8			2	2
10	79408001666	Hex head screw - M8X16 - DIN933/8.8			48	64
11.	1.376.105	Bridge-piece			11	15
12.	91623938761	Spring washer - 8X18 M8 - A8			66	90
13.	79408004066	Hex head screw - M8X40 - DIN933/8.8			22	30
14.	1.308.195	Retainer			12	17
15.	1.373.648	Bushing			12	16
16.	71410000060	Washer - M10 10,5X21X2 - DIN125			12	16
17.	79410006066	Hex head screw - M10X60 - DIN933/8.8			12	16
18.	70710000066	Lock nut - M10 - DIN980/8.8			12	16
19.	714C1050060	Spherical Washer - M10 - DIN6319/C			12	16
20.	714D1050060	Spherical Washer M10 DIN6319/D			12	16

Note: Item 6 and 7 are the same as item 6 and 5 section 34.



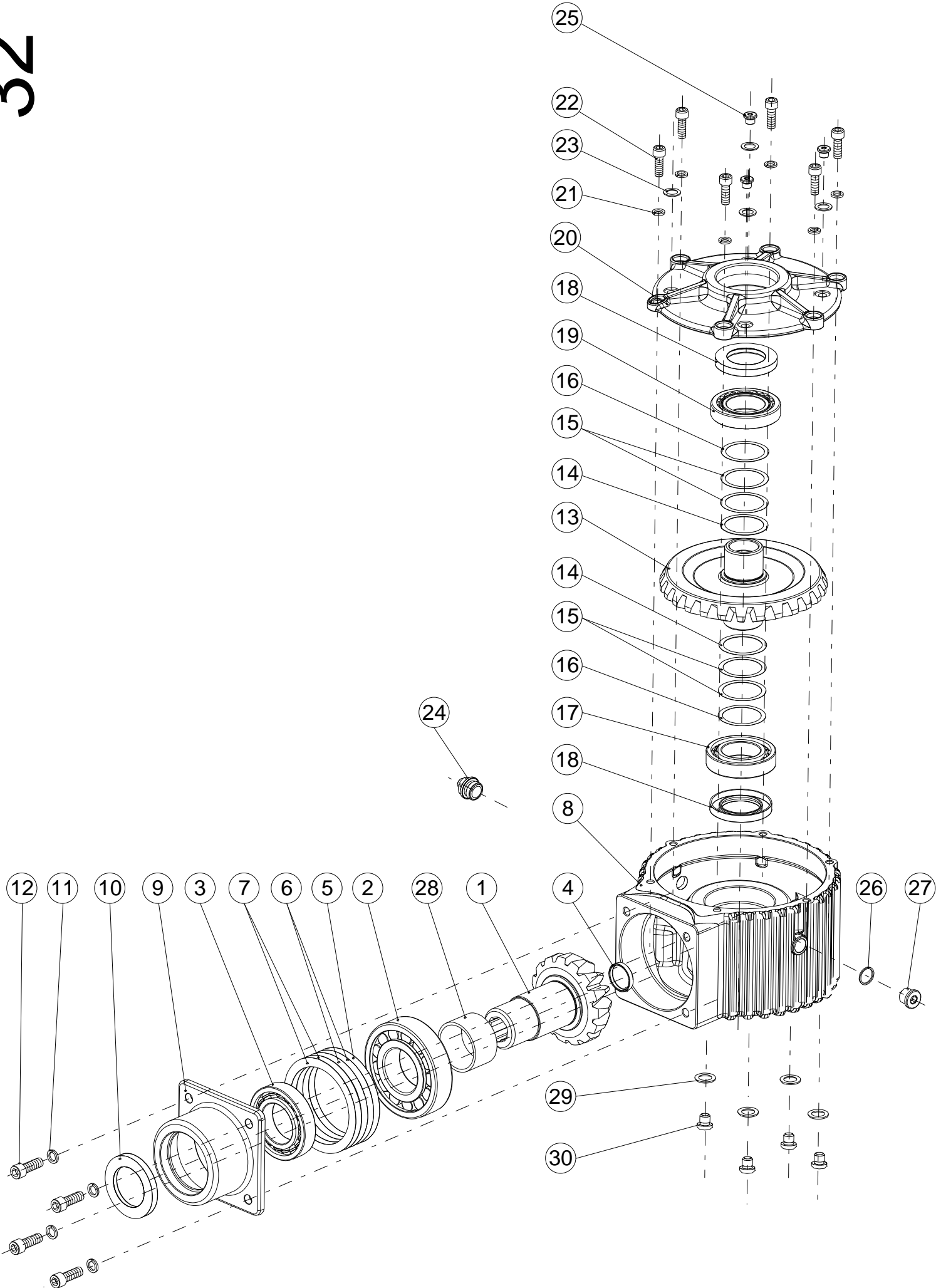
Ref.	Part number	Description	All models
1.	1.319.165	Plate welded	1
2.	1.319.171	Indicator welded	1
3.	71412000060	Washer - M12 - DIN125 - 200HV	2
4.	72404002860	Cotter pin - 4X28 - DIN94	1
5.	96792685501	Spring - D=2mm	1
6.	79408002066	Hex bolt - M8X20 - DIN933/8.8	4
7.	91623938761	Spring washer - 8X18 M8 - A8	8
8.	1.380.459	Auger Support - Center	2
8.	70808000026	Rivet nut - M8	2
9.	1.379.306	Holder	1
9.	76308002066	Carriage bolt - M8X20 - DIN603/8.8	2
10.	1.378.856	Holder	1
11.	81106001663	Hex socket button-head screw - M6X16 - ISO7380/10.9	2
12.	70706000066	Lock nut - M6 - DIN980/8.8	3
13.	1.378.855	Pivot	1
14.	1.378.853	Indicator bowden	1
15.	73508000066	Hex nut - M8 - DIN934	6
16.	73506000066	Hex nut - M6 - DIN934	2
17.	1.378.851	Console	1
18.	79408001666	Hex head screw - M8X16 - DIN933/8.8	1
19.	70708000066	Lock nut - M8 - DIN980	1
20.	1.378.852	Lug	1
21.	1.327.131	Stripper plate indicator lab.	1
22.	74900800066	Lock nut - plastic insert - M8 - DIN982/8	2
22.	79410002066	Hex bolt - M10X20 - DIN933/8.8	6
23.	91623938861	Spring washer - 10,2X22,25X1,6 - A10	6
-	1.379.464	Mechanical indicator for rigid machines	1

Lásd 1 o.!
See pg. 1!



Ref.	Part number	Description		CLAAS	JD direct	CNH (VS)	JD (VS)
1.	1.378.128	Console - LH		1	-	-	-
1.	1.378.129	Console - RH		1	-	-	-
1.	1.378.140	Console - LH		-	1	1	1
1.	1.378.141	Console - RH		-	1	1	1
2.	91623938961	Spring washer - A12		16	16	16	16
3.	79412003066	Hex head screw - M12X30 - DIN933/8.8		16	16	16	16
4.	79412002066	Hex bolt - M12X20 - DIN933/8.8		2	2	2	2
5.	79406001066	Hex bolt - M6X10 - DIN933/8.8		6	6	6	6
6.	1.376.070	Gearbox 27/11		-	2	-	-
6.	1.376.068	Gearbox 27/15		2	-	-	2
6.	1.376.069	Gearbox 27/12		-	-	2	-
7.	1.376.069	Gearbox 27/12		2	2	2	2
*8.	1.376.752	Shim		10	10	10	10
9.	91623939061	Spring washer - A14		12	12	12	12
10.	79414004566	Hex bolt - M14X45 - DIN933/8.8		12	12	12	12
11.	1.376.436	Safety tube		2	2	2	2
12.	1.375.973	Input shaft - (l=155)		2	2	2	2
13.	1.376.444	Washer		2	2	2	2
14.	91623938861	Spring washer - 10,2X22,25X1,6 - A10		2	2	2	2
15.	79410003066	Hex bolt - M10X30 - DIN933/8.8		18	22	22	22
15.	79410003066	Hex bolt - M10X30 - DIN933/8.8		-	-	18	-
16.	1.375.974	Shaft		4	4	4	4
17.	1.313.536	Double joint coupling		-	2	2	2
17.	1.355.710	Cardan shaft		2	-	-	-
18.	1.376.445	Hex bolt - M10X30		-	4	8	4
19.	70710000066	Lock nut - M10 - DIN980/8.8		16	24	24	24
20.	1.379.060	Shield - LH		1	-	-	-
20.	1.379.062	Shield - RH		1	-	-	-
20.	1.378.985	Shield - LH		-	1	1	1
20.	1.378.997	Shield - RH		-	1	1	1
21.	91623938761	Spring washer - 8X18 M8 - A8		26	22	22	22
22.	79408002566	Hex head screw - M8X25 - DIN933/8.8		6	4	4	4
23.	73508000066	Hex nut - M8 - DIN934		6	4	4	4
24.	79408001666	Hex head screw - M8X16 - DIN933/8.8		10	8	8	8
25.	1.379.063	Shield - LH		1	-	-	-
25.	1.379.064	Shield - RH		1	-	-	-
25.	1.378.987	Shield - LH		-	1	1	1
25.	1.378.999	Shield - RH		-	1	1	1
26.	79408002066	Hex bolt - M8X20 - DIN933/8.8		4	6	6	6
27.	1.377.106	Spacer		2	2	2	2
28.	1.378.760	Washer		6	6	6	6
29.	1.379.146	Loop		2	2	2	2
30.	1.372.314	Cover		2	2	2	2
-	1.372.715	Gearbox Bracket kit LH (LEXION group)	(#1-3, 5, 9-10, 13-15, 17-23, 25-26, 30)	1	-	-	-
-	1.372.716	Gearbox Bracket kit RH (LEXION group)	(#1-3, 5, 9-10, 13-15, 17-23, 25-26, 30)	1	-	-	-
-	1.372.711	Gearbox Bracket kit LH	(#1-3, 5, 9-10, 13-15, 17-23, 25-26, 30)	-	1	1	1
-	1.372.712	Gearbox Bracket kit RH	(#1-3, 5, 9-10, 13-15, 17-23, 25-26, 30)	-	1	1	1

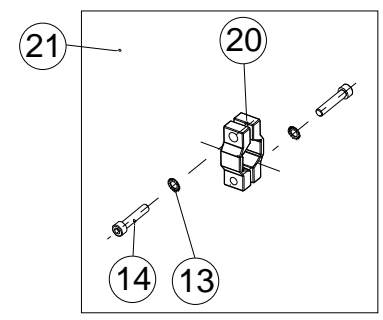
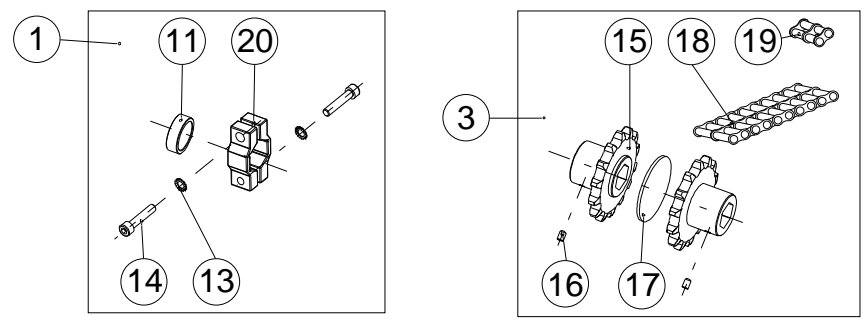
Note: Application of item 8 is depends on the backlash of the gears, quantities are not depend on the type of corn head.



2023.

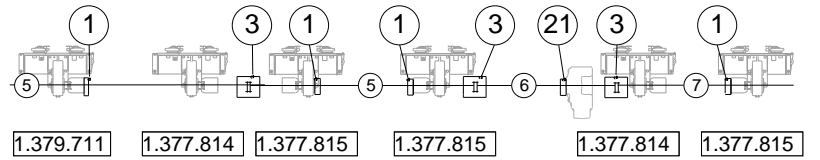
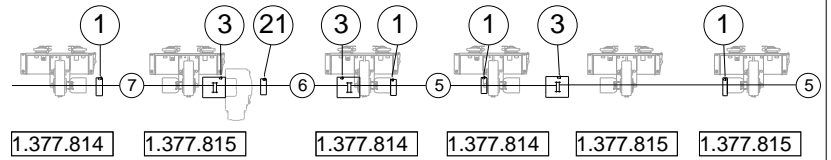
Ref.	Part number	Description	All models
1.	1.376.073	Drive pinion - 15T	2
1.	1.376.077	Drive pinion - 12T	2
1.	1.376.075	Drive pinion - 11T	2
1.	1.373.870	Drive pinion - 18T	2
2.	87000131262	Bearing - NUP312	4
3.	87010621114	Bearing - 6211- 2RS	4
4.	85803800700	Closing cup - 38X7	4
*5.	71610513001	Shim - 105X130X0.1 - DIN988	4
*6.	71610513002	Shim - 105X130X0.2 - DIN988	8
*7.	71610513005	Shim - 105X130X0.5 - DIN988	8
8.	1.376.071	Gearbox housing	4
9.	1.376.079	Bearing housing	4
10.	85805508500	Seal - 55X85X10	4
11.	71812000060	Spring washer - M12 - DIN7980	16
12.	80212035063	Hex socket head cap bolt - M12X35 - DIN912/10.9	16
13.	1.376.074	Bevel gear - 27T - gearbox: 1.376.068	2
13.	1.376.078	Bevel gear - 27T - gearbox: 1.376.069	2
13.	1.376.076	Bevel gear - 27T - gearbox: 1.376.070	2
13.	1.373.871	Bevel gear - 27T - gearbox: 1.373.898	2
*14.	71650062010	Shim - 50X62X0.1 - DIN988	8
*15.	71650062020	Shim - 50X62X0.2 - DIN988	16
*16.	71650062050	Shim - 50X62X0.5 - DIN988	8
17.	87001621010	Bearing - 6210 - DIN625	4
18.	85805080100	Seal - 50X80X10	8
19.	87013021001	Bearing - 30210 - DIN720	4
20.	1.376.072	Cover	4
21.	71810000060	Spring washer - M10 - DIN7980	24
22.	80310003063	Hex socket head cap bolt - M10X30 - DIN6912/10.9	24
23.	05200001200	Copper washer - 12X16X1.5 - DIN7603	24
24.	1.371.777	Breather - M20X1,5	4
25.	1.376.783	Closing plug - M12X1.5	24
26.	05200200024	Copper washer - 20X24X1.5 - DIN7603	4
27.	79202001560	Closing plug - M20X1.5 - DIN908	4
28.	1.377.265	Spacer	4
29.	05200000800	Copper washer - 8X12X1 - DIN7603	16
30.	79200800160	Closing plug - M8X1 - DIN908	16
-	1.376.068	Gearbox 27/15	2
-	1.376.069	Gearbox 27/12	2
-	1.376.070	Gearbox 27/11	2
-	1.373.898	Gearbox 27/18	2

Note: Application of shims depends on the backlash of the gears.
Ensure breather 1.371.777 is installed in the port facing in the upwards direction.

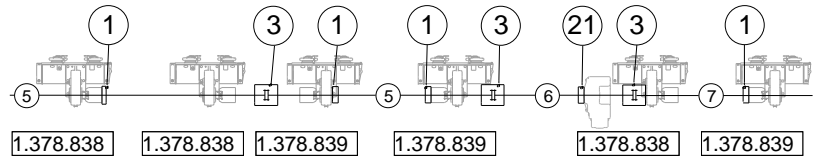
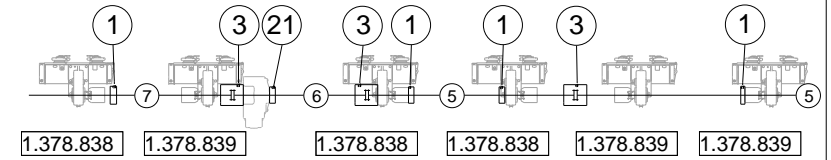


RHS

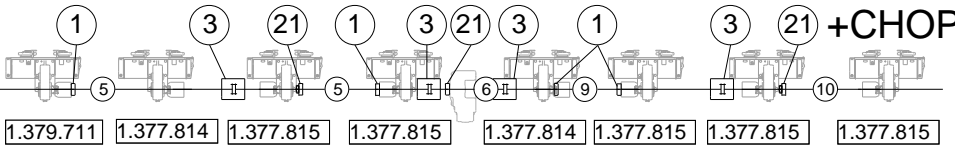
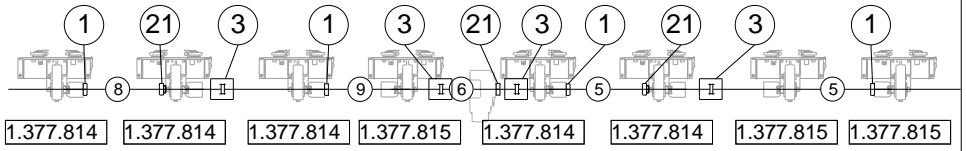
LHS



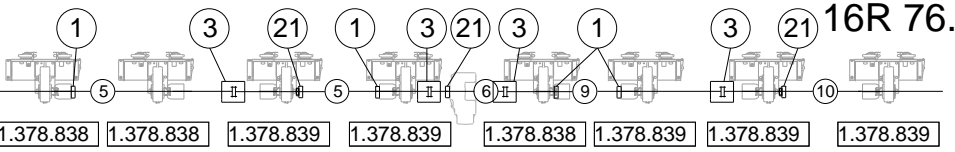
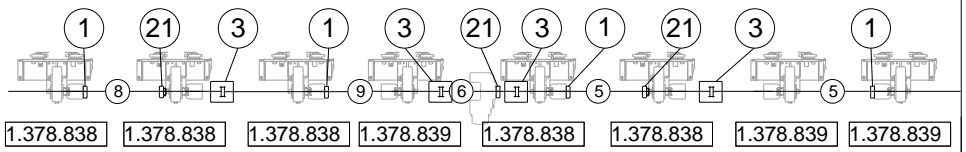
12R 76.2cm
+CHOPPER



12R 76.2cm*



16R 76.2cm
+CHOPPER



16R 76.2cm*

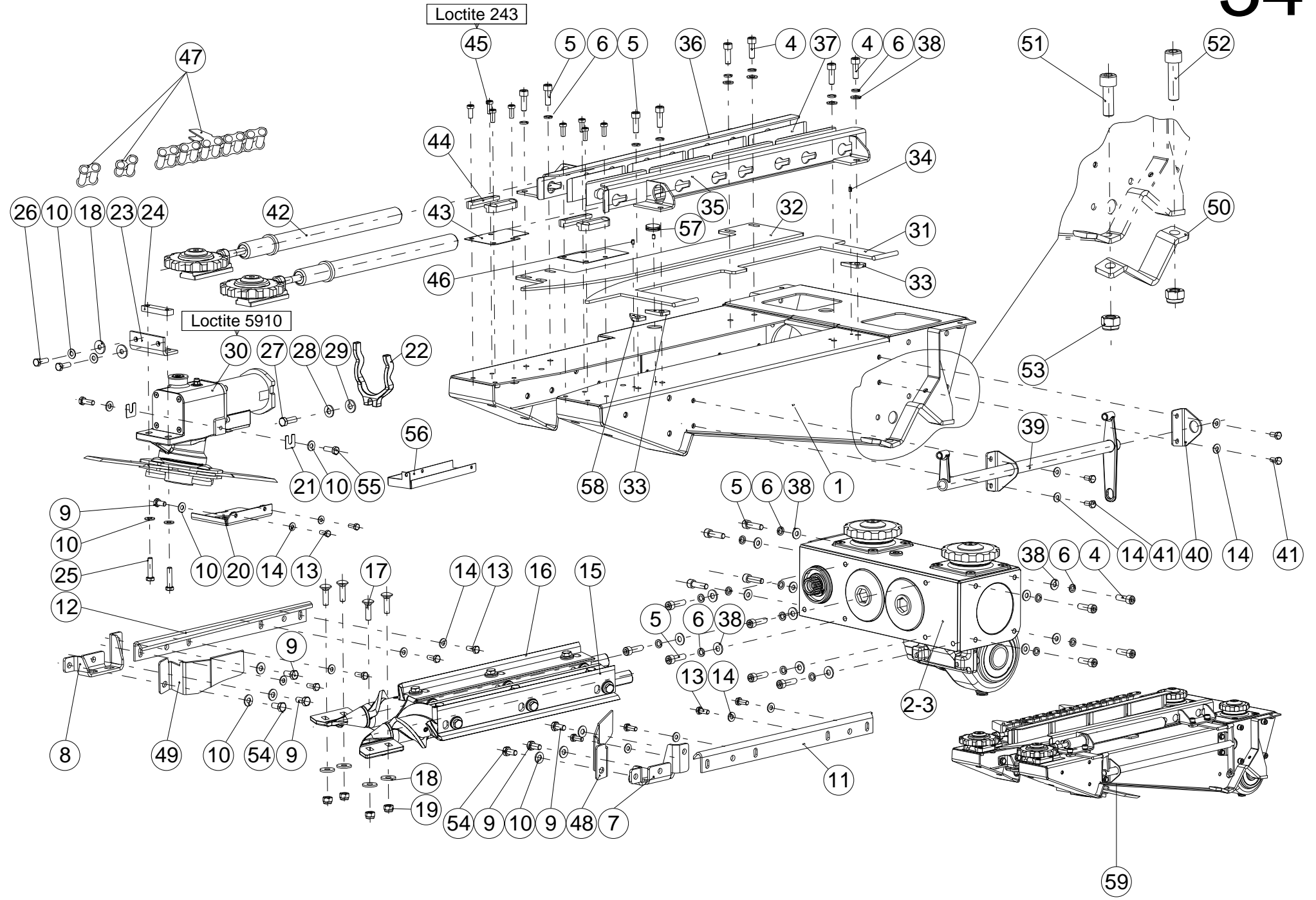
Direction of travel

Ref.	Part number	Description	FC 3012	FC 3012C	FC 3016	FC 3016C
5.	1.376.502	Hexagonal shaft - (L=1220)	2	4	4	4
6.	1.376.503	Hexagonal shaft - (L=480)	2	2	2	2
7.	1.376.501	Hexagonal shaft - (L=1214)	2	2	-	-
8.	1.377.809	Hexagonal shaft - (L=1350)	-	-	1	1
9.	1.377.811	Hexagonal shaft - (L=1360)	-	-	2	2
10.	1.379.096	Hexagonal shaft - (L=1385)	-	-	1	1
11.	1.376.490	Spacer - (l=15)	8	8	1	1
13.	72210000060	Spring washer - M10 - DIN128/A	24	24	12	12
14.	80210004066	Hex socket head bolt - M10X40 - DIN912	24	24	28	28
15.	1.354.663	Sprocket - 14T	12	12	28	28
16.	80108001266	Set screw - M8X12 - DIN916	12	12	16	16
17.	1.354.660	Disk	6	6	16	16
18.	1.355.403	Duplex chain 2-80	6	6	8	8
19.	84501000032	Connecting link 2-80	6	6	8	8
20.	1.355.909	Clamp - half piece only	20	20	8	8
23.	1.378.400	Hexagonal shaft - (L=1560)	2	-	28	28
-	1.377.814	Snapping unit assy. - LH - (knife roll) + Chopper				
-	1.377.815	Snapping unit assy. - RH - (knife roll) + Chopper				
-	1.378.838	Snapping unit assy. - LH - (knife roll)				
-	1.378.839	Snapping unit assy. - RH - (knife roll)				
-	1.379.711	Snapping unit assy. - LH - (knife roll) + Chopper				

Note: item 1 includes items 11, 13, 14, 20
item 3 includes items 15, 16, 17, 18, 19
item 21 includes items 13, 14, 20
Models marked with * are non chopper headers.

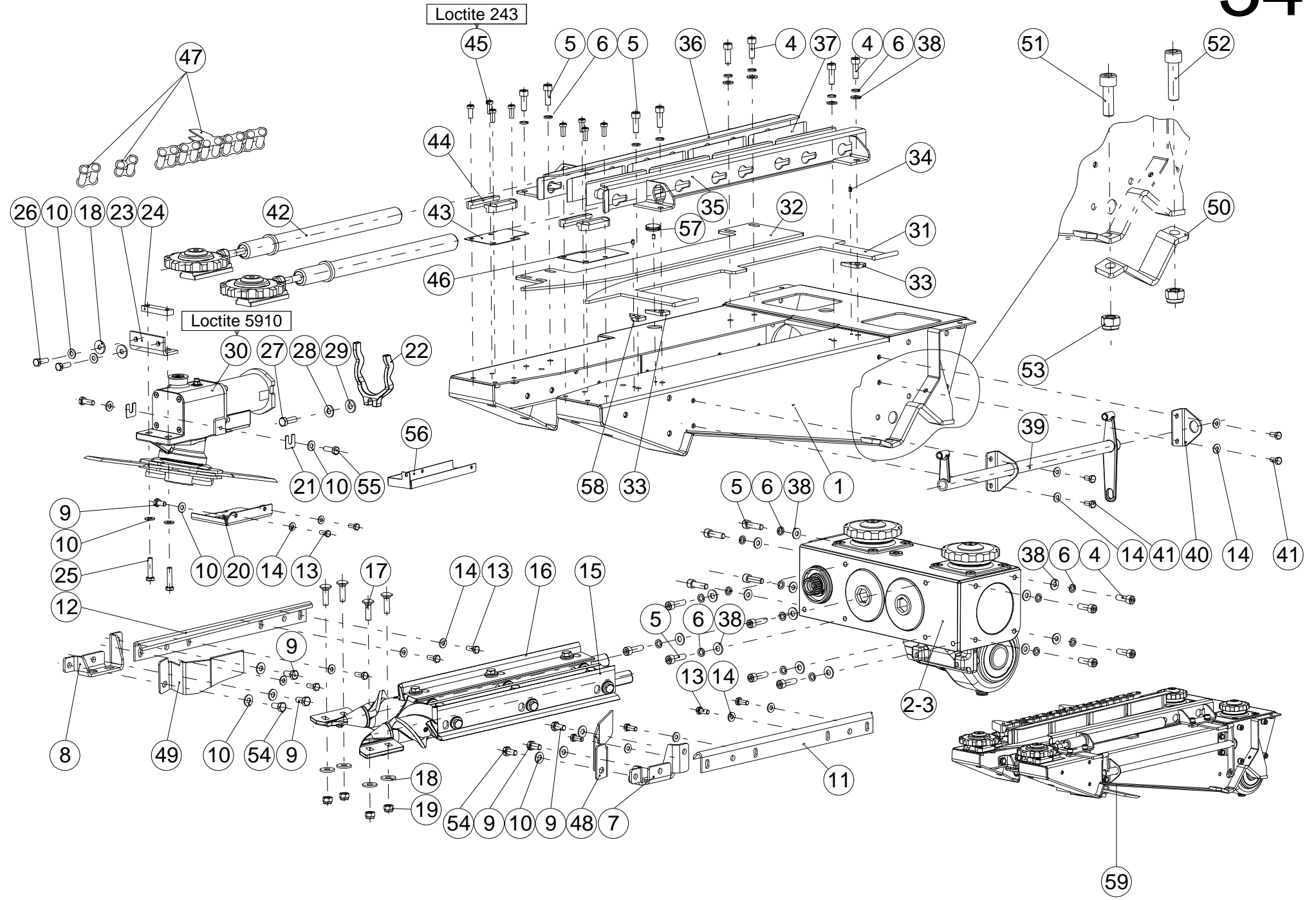
Loctite 243

Loctite 5910



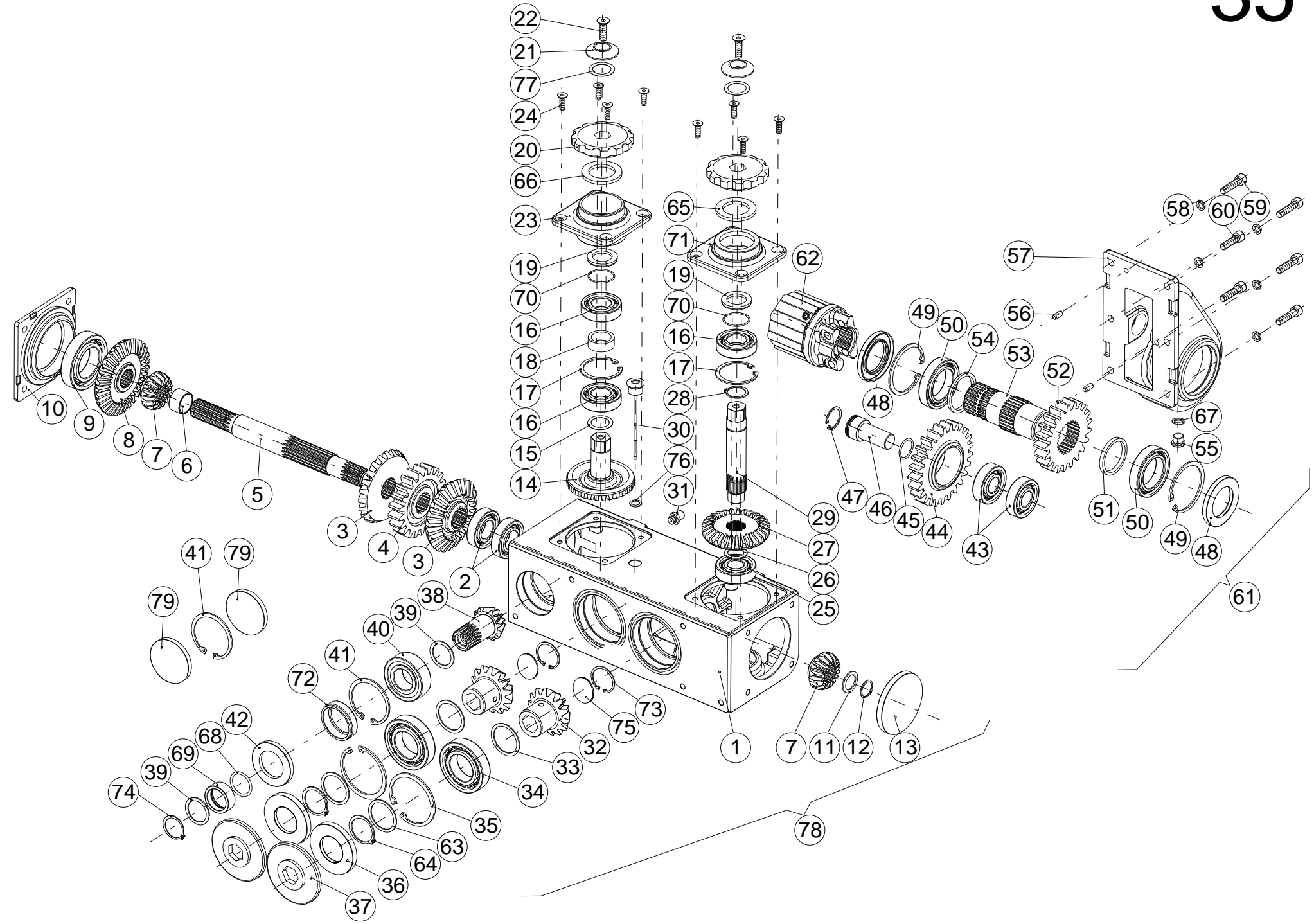
Ref.	Part number	Description	FC3012 FC3012C	FC3016 FC3016C
1.	1.373.426	Snapping unit frame welded	12	16
2.	1.377.816	Snapping unit gearbox - LH	6	8
3.	1.377.817	Snapping unit gearbox - RH	6	8
4.	80210003063	Hex socket head cap bolt - M10X30 - DIN912/10.9	84	112
5.	80210003563	Hex socket head cap bolt - M10X35 - DIN912/10.9	168	224
6.	71810000060	Spring washer - M10 - DIN7980	252	336
7.	1.375.800	Support - LH	12	16
8.	1.375.801	Support - RH	12	16
9.	79410002066	Hex bolt - M10X20 - DIN933/8.8	60	80
10.	91623938861	Spring washer - 10,2X22,25X1,6 - A10	156	208
11.	1.371.212	Clearing knife - LH	12	16
12.	1.371.213	Clearing knife - RH	12	16
13.	79408001866	Hex bolt - M8X18 - DIN933/8.8	120	160
14.	91623938761	Spring washer - 8X18 M8 - A8	168	224
15.	1.373.670	Snapping roll assy. - LH	12	16
16.	1.373.671	Snapping roll assy. - RH	12	16
17.	76310003566	Carriage bolt - M10X35 - DIN603/8.8	48	64
18.	96702375920	Washer - M10 10,5X30X3	72	96
19.	70710000066	Lock nut - M10 - DIN980/8.8	48	64
20.	1.377.793	Cover plate	12	16
21.	1.377.990	Shimming plate	48	64
22.	1.377.788	Fork	12	16
23.	1.377.791	Angle	12	16
24.	1.378.178	Flat	12	16
25.	79410004566	Hex head screw - M10X45 - DIN933	24	32
26.	79410003066	Hex bolt - M10X30 - DIN933/8.8	24	32
27.	79412003566	Hex bolt - M12X35 - DIN933/8.8	12	16
28.	91623938961	Spring washer - A12	12	16
29.	1.377.251	Washer	12	16
30.	1.377.762	Stalk chopper assy.	12	16
	- Loctite 5910	RTV silicone		
31.	1.373.738	Snapping plate - LH	12	16
32.	1.378.474	Snapping plate - RH	12	16
33.	1.376.067	Washer	24	32
34.	73005000801	Spring pin - 5X8 - DIN1481	24	32
35.	1.373.734	Chain guide - LH	12	16
36.	1.377.984	Chain guide - RH	12	16
37.	1.377.088	Plastic insert	96	128
38.	71410000060	Washer - M10 10,5X21X2 - DIN125	168	224
39.	1.375.813	Crank-arm welded	12	16
40.	1.377.989	Console	12	16
41.	79408002066	Hex bolt - M8X20 - DIN933/8.8	48	64
42.	1.375.755	Chain adjuster assy.	24	32
43.	1.375.832	Shimming plate	24	32
44.	1.375.833	Guide	48	64
45.	80308002062	Hex socket head cap bolt - M8X20 - DIN6912/12.9	96	128
	- Loctite 243	Threadlocking agent		
46.	73005001601	Spring pin - 5X16	12	16
47.	1.326.221	Gathering chain - t=30mm, 36 pitches	24	32
47.	84553333520	Offset link - 30mm pitch (repairs only)	24	32
47.	84530000000	Connector link - 30mm pitch (repairs only)	24	32
48.	1.377.398	Deflector plate - LH	12	16
49.	1.377.399	Deflector plate - RH	12	16
50.	1.375.947	Clamping bracket	24	32
51.	80214004566	Hex socket head cap bolt - M14X45 - DIN912/8.8	24	32
52.	80214006566	Hex socket head cap bolt - M14X65 - DIN912/8.8	24	32
53.	74901400066	Hex nut - plastic insert - M14 - DIN982/8.8	48	64
54.	79410002566	Hex bolt - M10X25 - DIN933/8.8	24	32
55.	79410003063	Hex bolt - M10X30 - DIN933/10.9	24	32
*56.	1.379.075	Cover plate welded	12	16
*57.	96700000003	Rubber plug	12	16
58.	1.373.740	Spacer	12	16
59.	1.377.814	Snapping unit assy. - LH - (knife roll) + Chopper	6	8
59.	1.377.815	Snapping unit assy. - RH - (knife roll) + Chopper	6	8
59.	1.378.838	Snapping unit assy. - LH - (knife roll)	6	8

Note: The snapping unit layouts can be found on the following page(s): 33
The items marked with * are only valid for machines without a chopper!



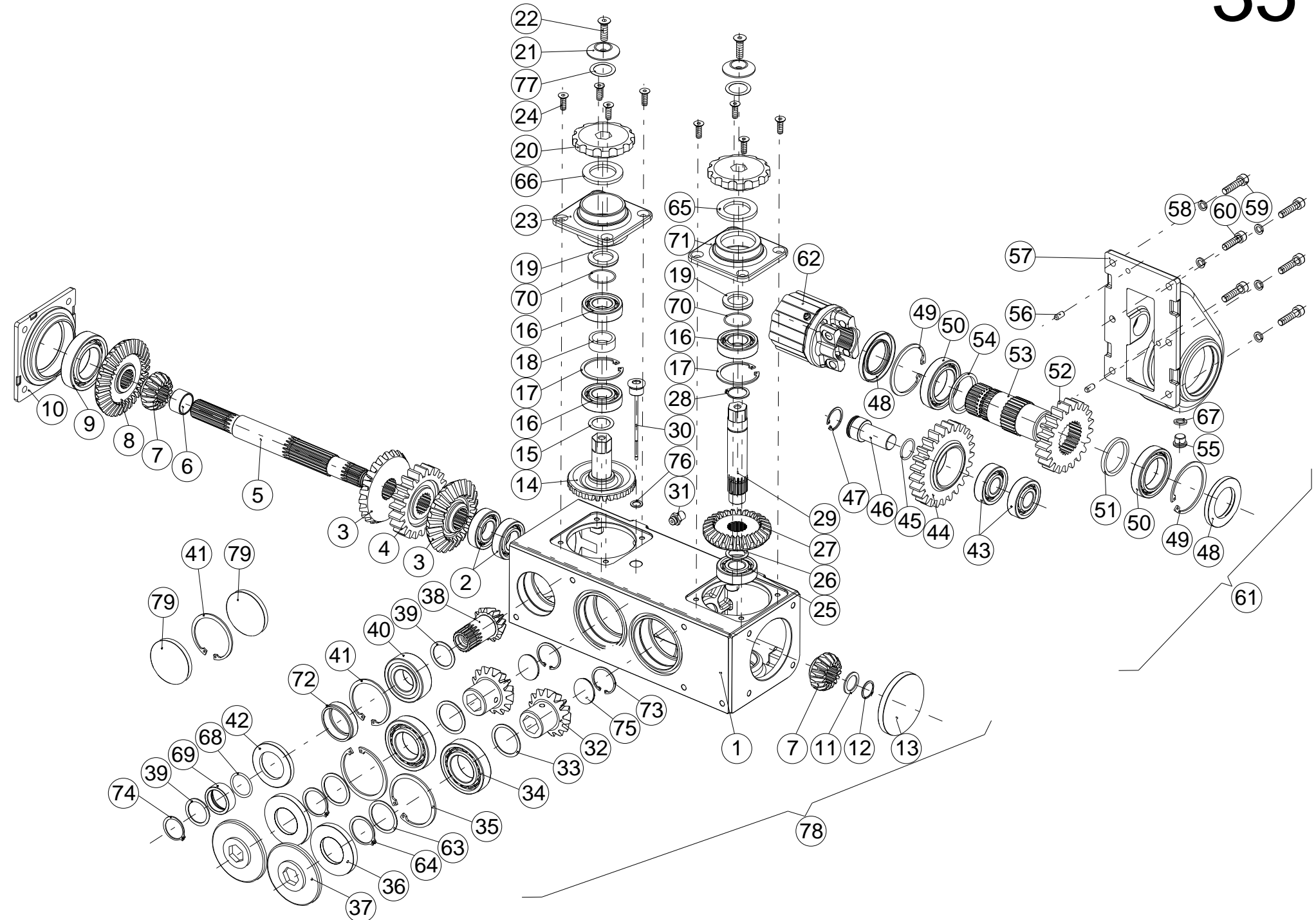
Ref.	Part number	Description		FC3012 FC3012C	FC3016 FC3016C
59.	1.378.839	Snapping unit assy. - RH - (knife roll)		6	8

Note: The snapping unit layouts can be found on the following page(s): 33
The items marked with * are only valid for machines without a chopper!



Ref.	Part number	Description		FC3012	FC3016
				FC3012C	FC3016C
1.	1.375.722	Gearbox housing		12	16
2.	87000620611	Bearing - 6206 - DIN625		24	32
3.	1.377.243	Bevel gear - 25T		24	32
4.	1.375.693	Cylinder gear - 21T		12	16
5.	1.375.706	Shaft		12	16
6.	1.375.754	Spacer		12	16
7.	1.375.689	Bevel gear - 16T		24	32
8.	1.378.507	Bevel gear - 33T		12	16
9.	87000421010	Bearing - 4210 - DIN625		12	16
10.	1.375.710	Bearing housing		12	16
*11.	71625035200	Shim - 25X35X2 - DIN988		12	16
12.	70200002501	Retainer ring - 25X1.2 - DIN471		12	16
13.	85801001000	Seal - 100X10		12	16
14.	1.377.733	Bevel gear - 29T		12	16
*15.	71630042050	Shim - 30X42X0.5 - DIN988		24	32
*15.	71630042020	Shim - 30X42X0.2 - DIN988		24	32
*15.	71630042010	Shim - 30X42X0.1 - DIN988		12	16
16.	87001620614	Bearing - 6206 2RS - DIN625		36	48
17.	70100006201	Retaining ring - internal - 62X2 - DIN472		24	32
18.	1.375.703	Spacer		12	16
*19.	1.377.734	Shim		12	16
20.	1.377.722	Sprocket - 12T p=30		24	32
21.	1.375.019	Washer		24	32
22.	80401003063	Hex socket countersunk-head bolt - M10X30 - DIN7991/10.9		24	32
23.	1.375.712	Bearing housing - RH		12	16
24.	80400802563	Hex socket countersunk-head bolt - M8X25 - DIN7991/10.9		96	128
25.	87010630510	Bearing - 6305 - DIN625		12	16
*26.	71625035050	Shim - 25X35X0.5 - DIN988		24	32
*26.	71625035020	Shim - 25X35X0.2 - DIN988		24	32
*26.	71625035010	Shim - 25X35X0.1 - DIN988		12	16
27.	1.375.700	Bevel gear - 29T		12	16
28.	70200003001	Retainer ring - for shaft - 30X1.5 - DIN471		12	16
29.	1.377.731	Shaft		12	16
30.	1.377.093	Dipstick		12	16
31.	1.309.247	Breather - M12X1,5		12	16
32.	1.377.244	Bevel gear - 13T		24	32
*33.	71645055050	Shim - 45X55X0.5 - DIN988		48	64
*33.	71645055020	Shim - 45X55X0.2 - DIN988		48	64
*33.	71645055010	Shim - 45X55X0.1 - DIN988		24	32
34.	87001620910	Bearing - 6209 - DIN625		24	32
35.	70100008501	Retaining ring - internal - 85X3 - DIN472		24	32
36.	85804508501	Seal - 45X85X10 - DIN3760-AS		24	32
37.	1.375.836	Cover piece		24	32
**38.	1.375.687	Bevel gear - 13T		12	16
**39.	71635045050	Shim - 35X45X0.5 - DIN988		36	48
**39.	71635045020	Shim - 35X45X0.2 - DIN988		48	64
**39.	71635045010	Shim - 35X45X0.1 - DIN988		24	32
**40.	87001420710	Bearing - 4207 - DIN625		12	16
41.	70100007201	Retaining ring - internal - 72X2.5 - DIN472		12	16
**42.	85804506208	Seal - 45X62X8 - DIN3760-AS		12	16
43.	87010630510	Bearing - 6305 - DIN625		24	32
44.	1.375.694	Cylinder gear - 25T		12	16
45.	63003026500	O-ring - 30X2.65 - DIN3771		12	16
46.	1.375.696	Shaft		12	16
47.	70100003501	Retainer ring - 35X1.5 - DIN472		12	16
48.	85805008008	Seal - 50X80X8 - DIN3760-AS		24	32
49.	70100008001	Retaining ring - internal - 80X2.5 - DIN472		24	32
50.	87001601010	Bearing - 6010 - DIN625		24	32
51.	1.375.697	Spacer		12	16
52.	1.375.695	Cylinder gear - 21T		12	16
53.	1.375.699	Shaft		12	16
54.	1.375.698	Spacer		12	16
55.	79201601560	Closing plug - M16X1.5 - DIN908		12	16
56.	1.375.746	Dowel pin		24	32
57.	1.375.723	Gearbox housing		12	16
58.	71810000060	Spring washer - M10 - DIN7980		72	96
59.	80210004063	Hex socket head cap bolt - M10X40 - DIN912/10.9		60	80

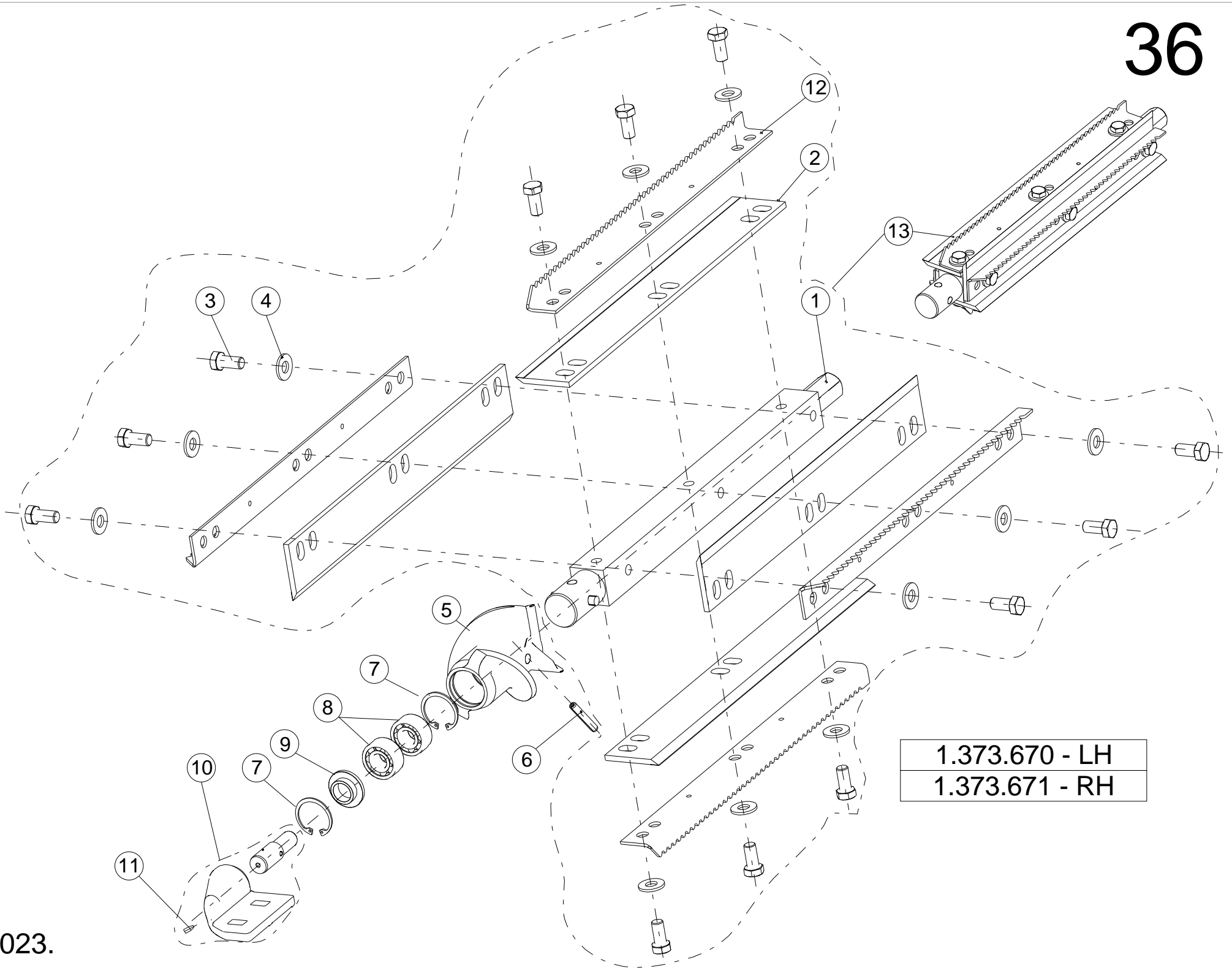
Note: * Application of shims depends on the backlash of the gears.
The items marked with ** are for machines with chopper only!



Ref.	Part number	Description		FC3012 FC3012C	FC3016 FC3016C
60.	80210003563	Hex socket head cap bolt - M10X35 - DIN912/10.9		12	16
61.	1.375.955	Gearbox assy. - LH	(#43-55, 57, 62, 67)	12	16
61.	1.375.717	Gearbox assy. - RH	(#43-55, 57, 62, 67)	12	16
62.	1.373.387	Safety clutch - Walterscheid EK 33B		12	16
*63.	71645055200	Shim - 45x55x2 - DIN988		24	32
64.	70200004501	Retaining ring - for shaft - 45X1.75 - DIN471		24	32
65.	85804055007	Seal - 40X55X7 - DIN3760-AS		12	16
66.	85804006207	Seal - 40X62X7 - DIN3760-AS		12	16
67.	05200001600	Copper washer - M16X20 - DIN7603		12	16
**68.	63003503500	O-ring - 35X3.5 - DIN3771/ISO3601		12	16
**69.	1.375.744	Retainer		12	16
70.	63003030010	O-ring - 30X3		24	32
71.	1.377.732	Bearing housing - LH		12	16
**72.	1.377.775	Guide ring		12	16
73.	70100003201	Retaining ring - internal - 32X1,2 - DIN472		24	32
**74.	70200003501	Retaining ring - external - 35X1.5 - DIN471		12	16
75.	85803200500	Seal - 32X5 NBR		24	32
76.	05200200024	Copper washer - 20X24X1.5 - DIN7603		12	16
*77.	71619026020	Shim - 19X26X0,2 - DIN988		24	32
*77.	71619026050	Shim - 19X26X0,5 - DIN988		24	32
*77.	71619026120	Shim - 19X26X1,2 - DIN988		24	32
78.	1.379.709	Gearbox sub - assy.	(#1-19, 23-36, 41, 65, 66, 70, 71, 75, 76, 79, 80)	12	16
78.	1.379.710	Gearbox sub - assy., no chopper	(#1-19, 23-36, 41, 65, 66, 70, 71, 75, 76, 79, 80)	12	16
79.	85807200700	Cover - NBR-72x7		24	32
-	1.378.840	Gearbox assy. - LH (non chopper)	(#56, 58-61, 78)	12	16
-	1.378.841	Gearbox assy. - RH (non chopper)	(#56, 58-61, 78)	12	16
**	1.377.816	Snapping unit gearbox - LH	(#56, 58-61, 78)	12	16
**	1.377.817	Snapping unit gearbox - RH	(#56, 58-61, 78)	12	16

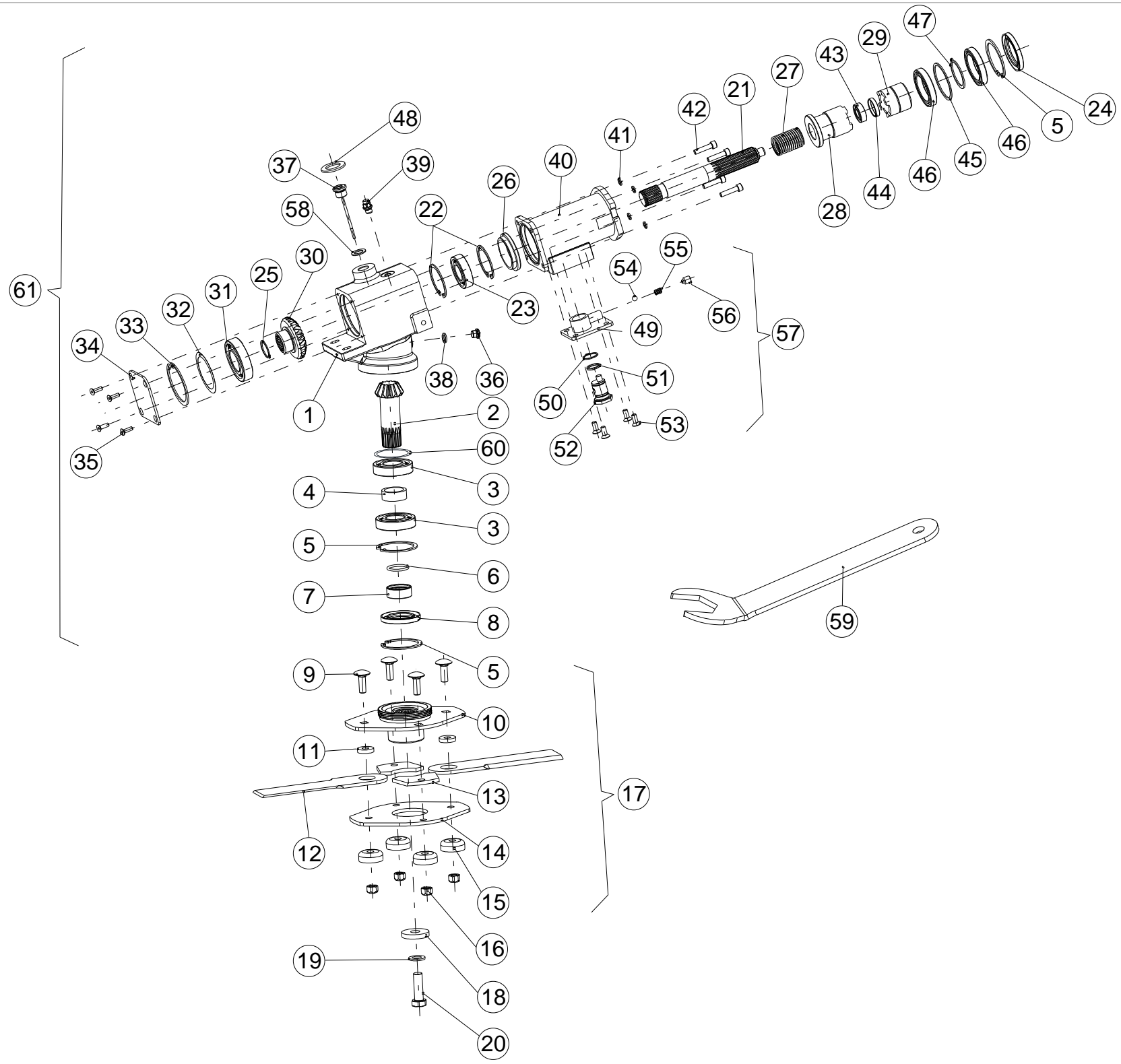
Note: * Application of shims depends on the backlash of the gears.
The items marked with ** are for machines with chopper only!

36



1.373.670 - LH
1.373.671 - RH

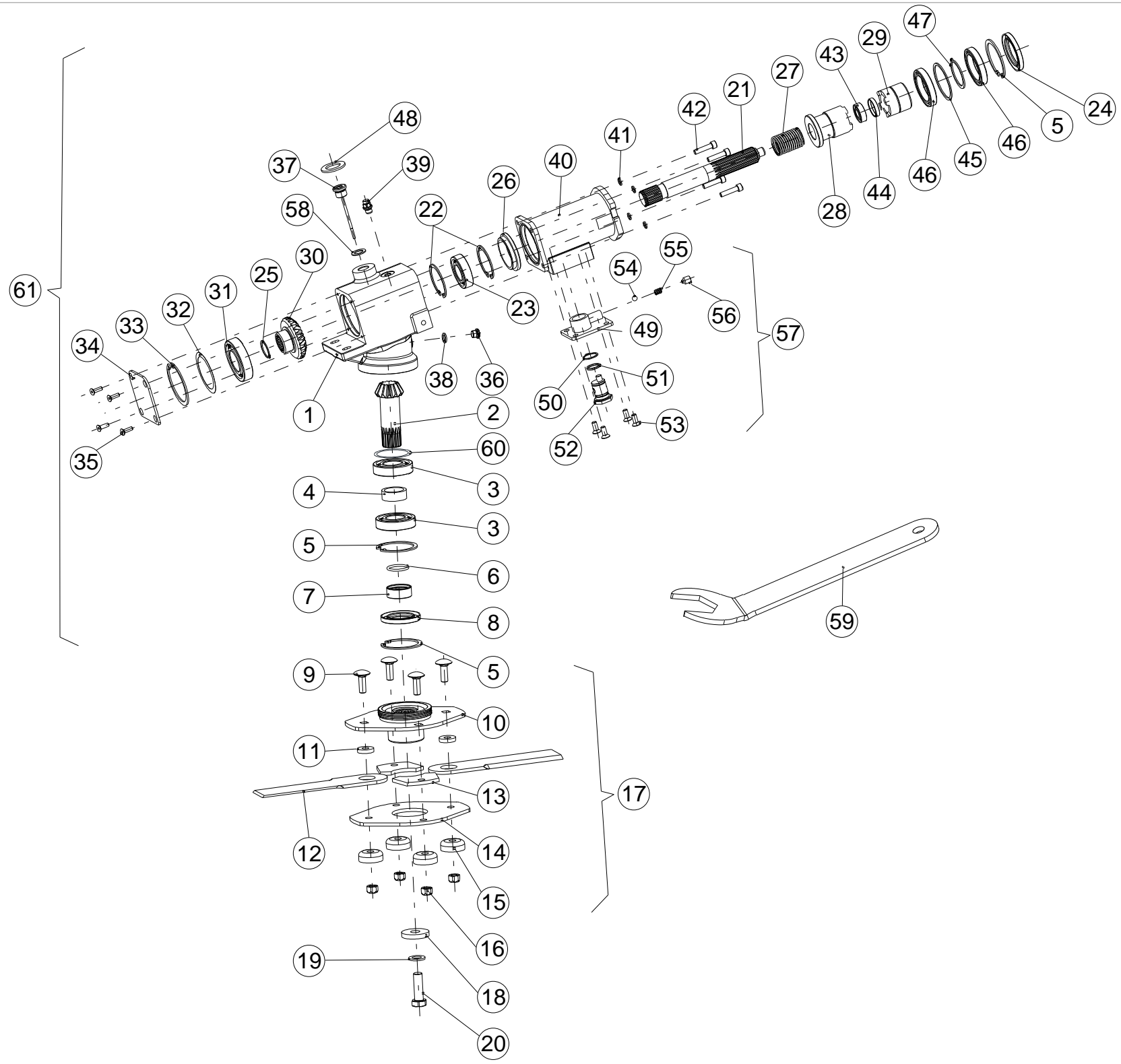
Ref.	Part number	Description		FC3012	FC3016
				FC3012C	FC3016C
1.	1.377.247	Snapping roll body		24	32
2.	1.377.250	Knife		96	128
3.	79412125256	Hex bolt - M12X25X1.25 - DIN961		288	384
4.	91623938961	Spring washer - A12		288	384
5.	1.379.973	Auger - LH		12	16
5.	1.379.974	Auger - RH		12	16
6.	73010005501	Spring pin - 10X55 - DIN1481		24	32
6.	73006005501	Spring pin - 6X55 - DIN1481		24	32
6.	73100105501	Pin - 10X55 - DIN28739		24	32
7.	70100004001	Retaining ring - internal - 40X1.75 - DIN472		32	48
8.	87000320314	Bearing - 3203 2RS		32	48
9.	1.377.392	Spacer		24	32
10.	1.371.357	Bearing housing assy. - LH		12	16
10.	1.371.358	Bearing housing assy. - RH		12	16
11.	70006011860	Grease fitting - 6X1X180 - DIN71412		24	32
12.	1.378.440	Flute - LH		32	48
12.	1.378.441	Flute - RH		32	48
13.	1.379.779	Snapping roll pre-assy. - LH	(#1-4, 12)	24	32
13.	1.379.780	Snapping roll pre-assy. - RH	(#1-4, 12)	24	32
A	1.373.670	Snapping roll assy. - LH	(#1-4, 5-12)	12	16
B	1.373.671	Snapping roll assy. - RH	(#1-4, 5-12)	12	16



Ref.	Part number	Description		FC 3012C	FC 3016C
1.	1.377.763	Gearbox housing		12	16
2.	1.375.702	Bevel gear - 13T		12	16
3.	87001620710	Bearing - 6207 - DIN625		24	32
4.	1.377.769	Spacer		12	16
5.	70100007201	Retaining ring - internal - 72X2.5 - DIN472		36	48
6.	63003503500	O-ring - 35X3.5 - DIN3771/ISO3601		12	16
7.	1.375.744	Retainer		12	16
8.	85804572081	Seal - 45X72X8 - DIN3760-AS		12	16
9.	1.377.799	Carriage bolt - M12X35X1.25		48	64
	- Loctite 243	Threadlocking agent			
10.	1.377.767	Knife support		12	16
11.	1.355.038	Bushing		24	32
12.	1.353.038	Knife		24	32
13.	1.378.347	Spacer		24	32
14.	1.378.344	Knife support plate - bottom		12	16
15.	1.355.039	Cap		48	64
16.	70712012563	Lock nut - M12X1.25 - DIN980		48	64
**17.	1.377.766	Knife assy.	(#9-16)	11	15
**17.	1.379.686	Knife assy.	(#9-16)	1	1
18.	1.375.752	Washer		12	16
19.	91623939161	Spring washer - A16		12	16
20.	79316155066	Hex bolt - M16X1.5X50 - DIN960/8.8		12	16
	- Loctite 243	Threadlocking agent			
21.	1.377.777	Shaft		12	16
22.	70100006201	Retaining ring - internal - 62X2 - DIN472		24	32
23.	87000620611	Bearing - 6206 - DIN625		12	16
24.	85805007208	Seal - 50X72X8 - DIN3760-AS		12	16
25.	70200003001	Retainer ring - for shaft - 30X1.5 - DIN471		24	32
26.	1.377.776	Disk		12	16
27.	1.377.781	Spring		12	16
28.	1.377.778	Clutch half - I		12	16
29.	1.377.779	Clutch half - II		12	16
30.	1.375.701	Bevel gear - 24T		12	16
31.	87001620810	Bearing - 6208 - DIN625		12	16
*32.	71663080050	Shim - 63X80X0.5		24	32
*32.	71663080020	Shim - 63X80X0.2		24	32
*32.	71663080010	Shim - 63X80X0.1		12	16
33.	70100008001	Retaining ring - internal - 80X2.5 - DIN472		12	16
34.	1.375.743	Cover plate		12	16
	- Loctite 5910	RTV silicone			
35.	80400602063	TORX socket countersunk-head bolt - M6X20 - DIN7991/10.9		48	64
	- Loctite 243	Threadlocking agent			
36.	1.376.783	Closing plug - M12X1.5		12	16
37.	1.377.095	Dipstick		12	16
38.	05200001200	Copper washer - 12X16X1.5 - DIN7603		12	16
39.	1.309.247	Breather - M12X1,5		12	16
40.	1.377.770	Housing		12	16
	- Loctite 5910	RTV silicone			
41.	71808000060	Spring washer - M8 - DIN7980		48	64
42.	80208003066	Hex socket head bolt - M8X30 - DIN912/8.8		48	64
43.	87010620214	Bearing - 6202 - DIN625		12	16
	- Loctite 603	Retaining compound			
44.	85803500700	Cup - 35X7		12	16
45.	1.377.780	Spacer		12	16
46.	87006191014	Bearing - 61910 - DIN625		24	32
47.	70200005001	Retaining ring - external - 50X2 - DIN471		12	16
48.	1.377.986	Seal		12	16
49.	1.377.783	Switch housing welded		12	16
50.	70200002501	Retainer ring - 25X1.2 - DIN471		12	16
51.	63002003009	O-ring - 20X3		12	16
52.	1.377.787	Disengaging pin		12	16
53.	80400802063	Hex socket countersunk-head bolt - M8X20 - DIN7991/10.9		48	64

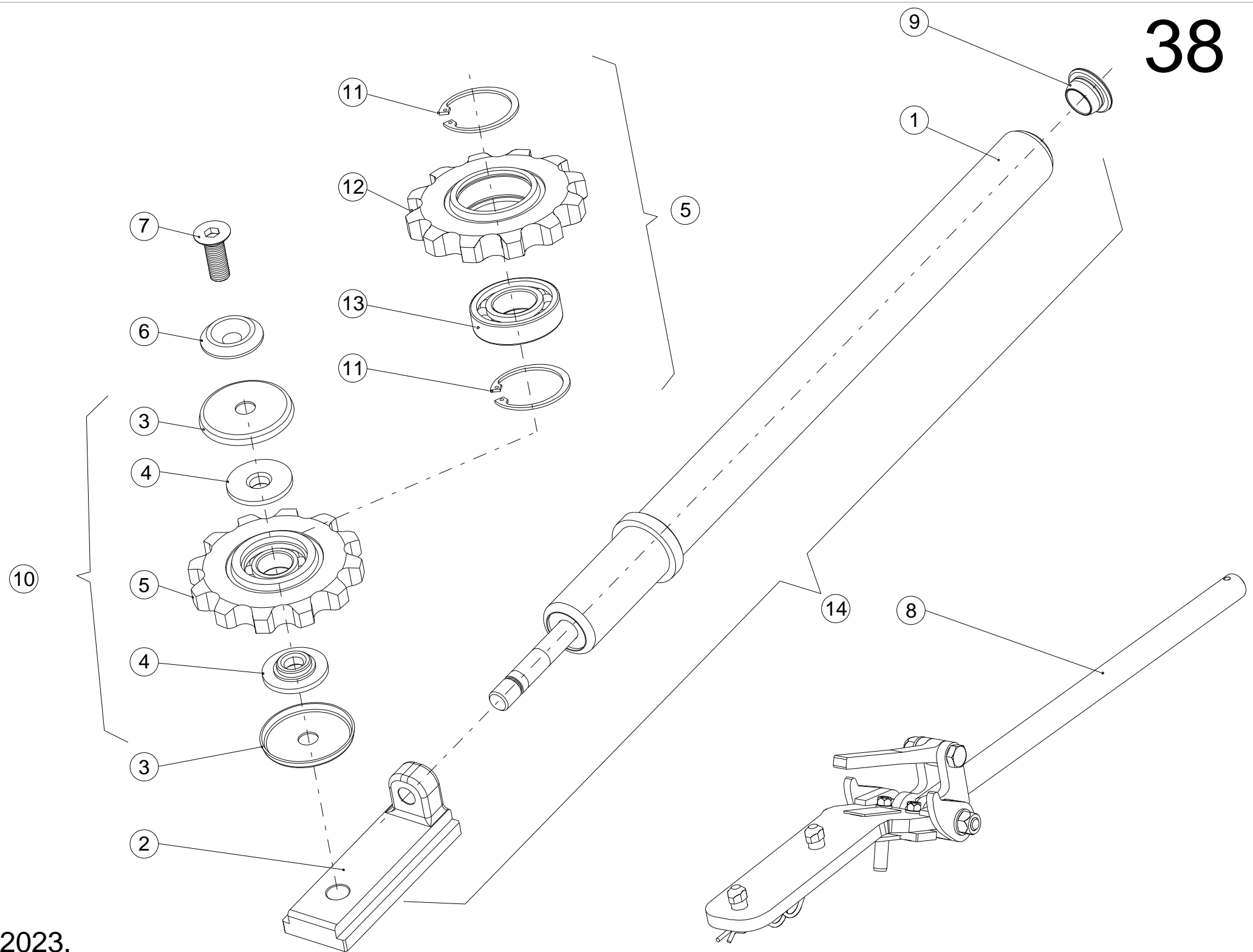
Note: * Application of the shims depends on the backlash of the gears.

** 1.379.686 for row 6 on FC3012C and row 8 of FC3016C. All other rows use 1.377.766

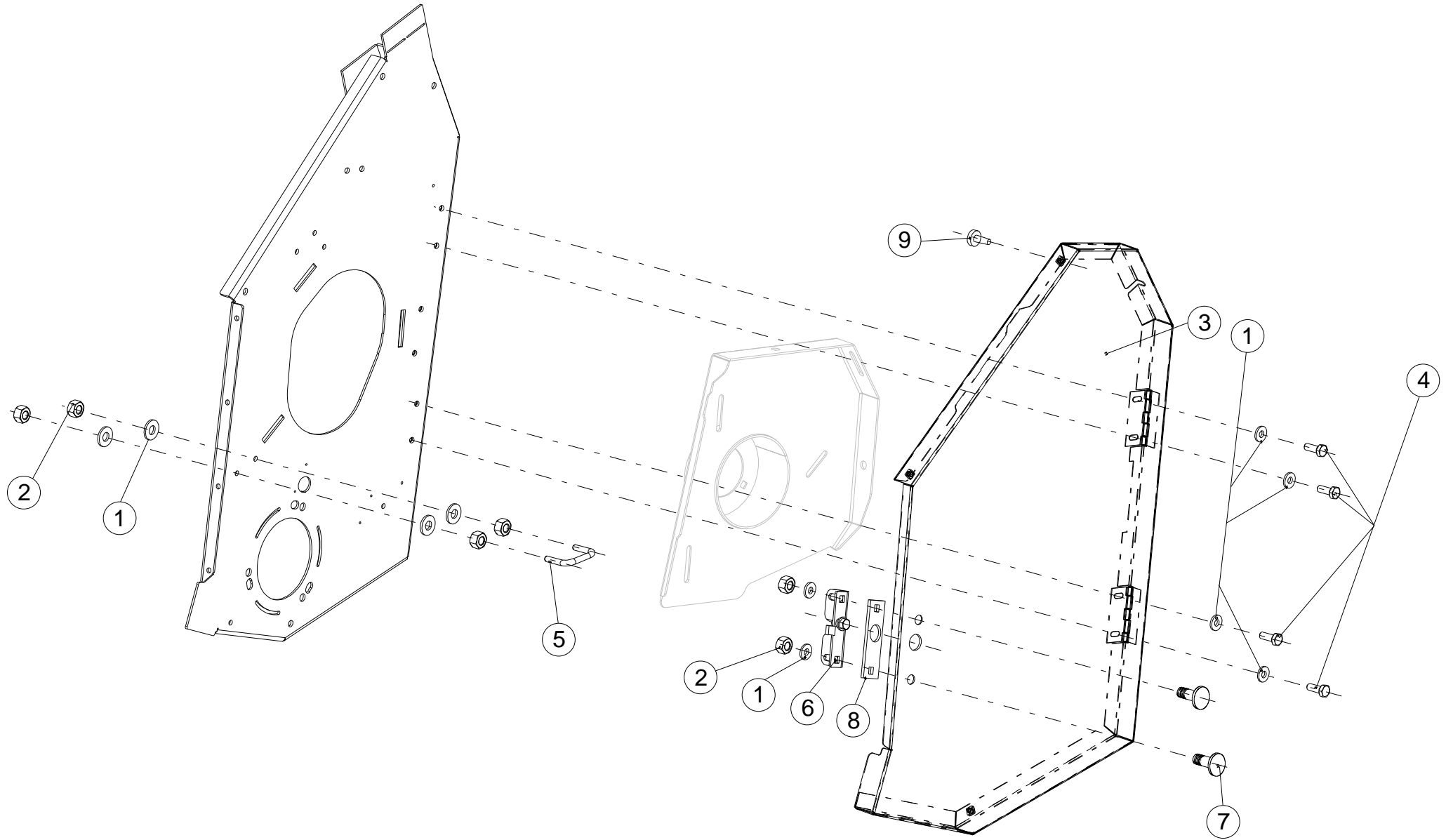


Ref.	Part number	Description		FC 3012C	FC 3016C
54.	85609000000	Bearing ball		12	16
55.	1.327.689	Spring		12	16
56.	1.327.690	Set screw - DIN916		12	16
	- Loctite 243	Threadlocking agent			
57.	1.377.782	Switch assy.		12	16
	- Loctite 5910	RTV silicone			
58.	05200200024	Copper washer - 20X24X1.5 - DIN7603		12	16
59.	1.378.697	Wrench		1	1
*60.	71656072030	Shim - 56x72x0.3		12	16
61.	1.379.465	Chopper gearbox assy.		12	16
	- 1.377.762	Stalk chopper assy.	(#17, 18, 19, 20, 61)	12	16

Note: * Application of the shims depends on the backlash of the gears.
 ** 1.379.686 for row 6 on FC3012C and row 8 of FC3016C. All other rows use 1.377.766

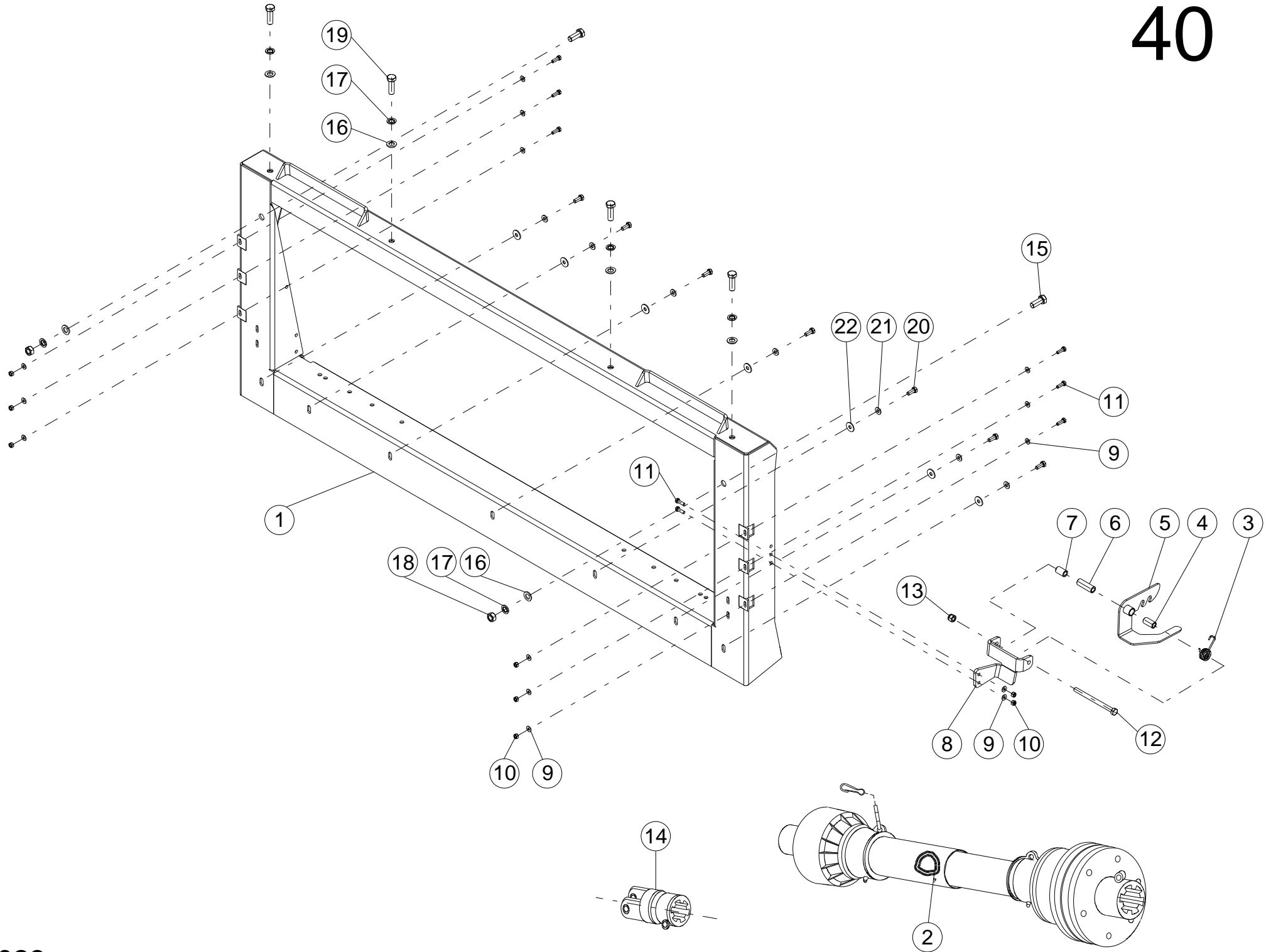


Ref.	Part number	Description		FC3012 FC3012C	FC3016 FC3016C
1.	1.375.756	Compressed coiled spring		24	32
2.	1.375.760	Slide		24	32
3.	1.375.761	Labyrinth		32	48
4.	1.379.082	Bushing		32	48
5.	1.379.081	Sprocket assy.	(#11-13)	24	32
6.	1.375.758	Washer		24	32
7.	80414005063	Hex socket countersunk-head bolt - M14X50 - DIN7991/10.9		24	32
8.	2.405.227	Gathering chain installation instrument		1	1
9.	1.377.268	Plug		24	32
10.	1.379.153	Sprocket pre-assy.	(#3, 4, 5)	24	32
11.	70100005201	Retainer ring - internal 52x2 - DIN472 52/I		32	48
12.	1.379.080	Sprocket		24	32
13.	87001620514	Bearing - 6205 2RS		24	32
14.	1.375.755	Chain adjuster assy.	(#1, 2, 3, 4, 5, 6,7, 9)	24	32



Ref.	Part number	Description		All models
1.	91623938761	Spring washer - 8X18 M8 - A8		20
2.	73508000066	Hex nut - M8 - DIN934		12
3.	1.378.292	Side-shield - LH		1
3.	1.378.293	Side-shield - RH		1
4.	79408002066	Hex bolt - M8X20 - DIN933/8.8		8
5.	1.378.390	Hook		2
6.	985AZ102725	Lock		2
7.	76308002066	Carriage bolt - M8X20 - DIN603/8.8		4
8.	1.378.391	Washer		2
9.	975PV615000	Rubber button		6

40

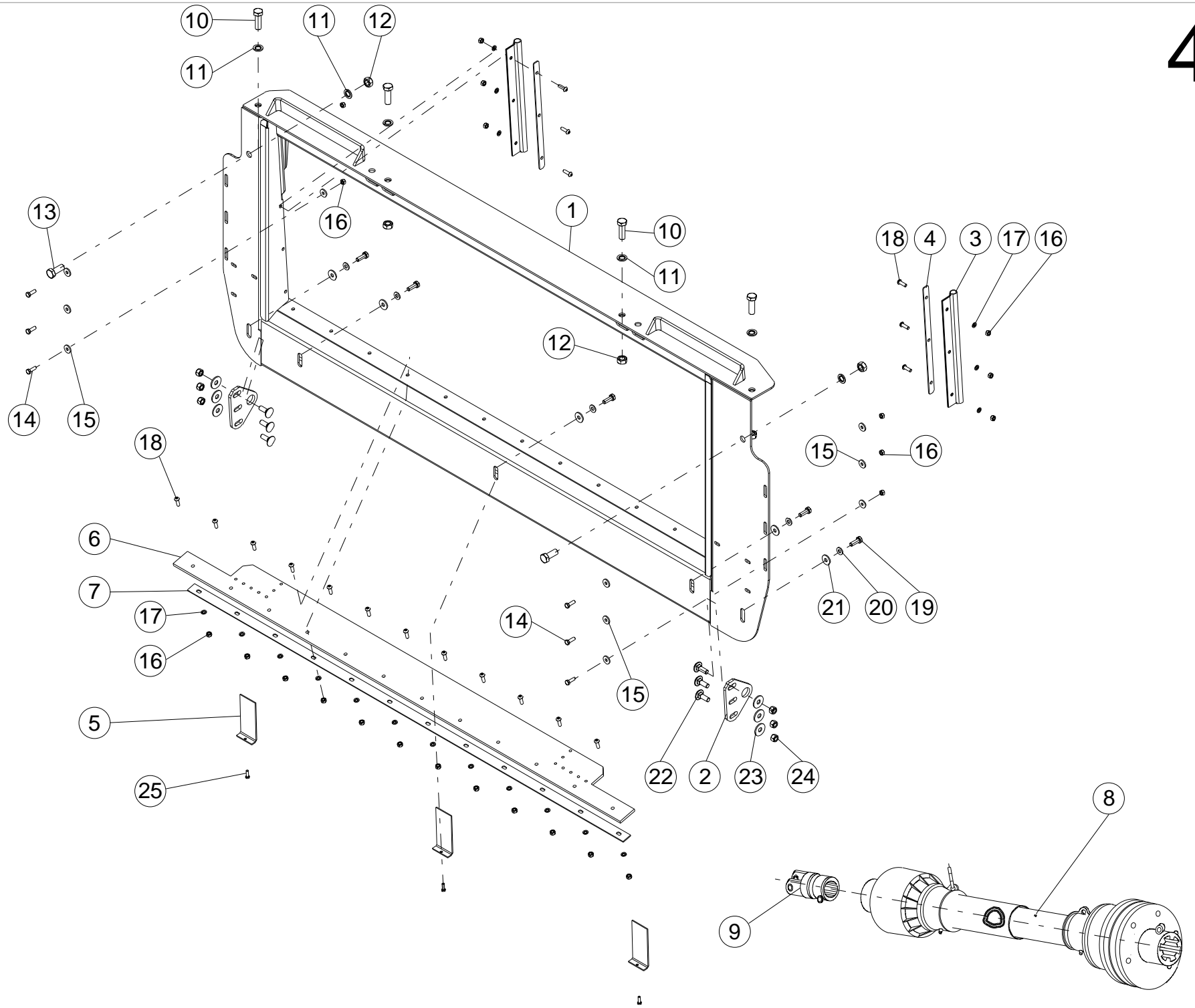


(40) MOUNTING KIT: CNH 7/8010, 7/8020, 7/8020, 7/8/9120, 130/230, AND 140, 150, 240, 250 SERIES, CR AND CX

Ref.	Part number	Description		All models
1.	1.379.307	Filler welded		1
2.	1.373.712	Cardan shaft - 6 spline - (W2500)	->MY2016	2
2.	1.373.715	Cardan shaft - 21 spline - (W2500)	MY2017->	2
**2.	1.369.002	Cardan shaft - 21 spline - (CV)	MY2017->	2
3.	1.329.253	Spring		1
4.	1.329.250	Bushing		1
5.	1.329.247	Arm welded		1
6.	1.376.541	Spacer		1
7.	1.376.542	Spacer		1
8.	1.372.283	Support		1
9.	91623938761	Spring washer - 8X18 M8 - A8		14
10.	73508000066	Hex nut - M8 - DIN934		8
11.	79408002566	Hex head screw - M8X25 - DIN933/8.8		8
12.	79312016066	Hex bolt - M12X160		1
13.	74901200066	Lock nut - M12 - plastic insert - DIN982		1
***14.	1.327.488	Yoke - 6 spline (w2500) (l=133)		2
*14.	1.327.486	Yoke - 21 spline (w2500) (l=133)		2
15.	79416004066	Hex head screw - M16X40		2
16.	71416000060	Washer - M16 17X30X3 - DIN125 - 200HV		6
17.	72216000060	Spring washer - M16		6
18.	73516000066	Hex nut - M16 - DIN934/8.8		2
19.	79416005066	Hex head screw - M16X50		4
20.	79410002566	Hex bolt - M10X25 - DIN933/8.8		7
21.	91623938861	Spring washer - 10,2X22,25X1,6 - A10		7
22.	71210000060	Washer - A10 - DIN9021		7

Note for item:

- * For combines MY2017 and after.
- ** For combines with sidehill compensation.
- *** For combine MY2016 and before

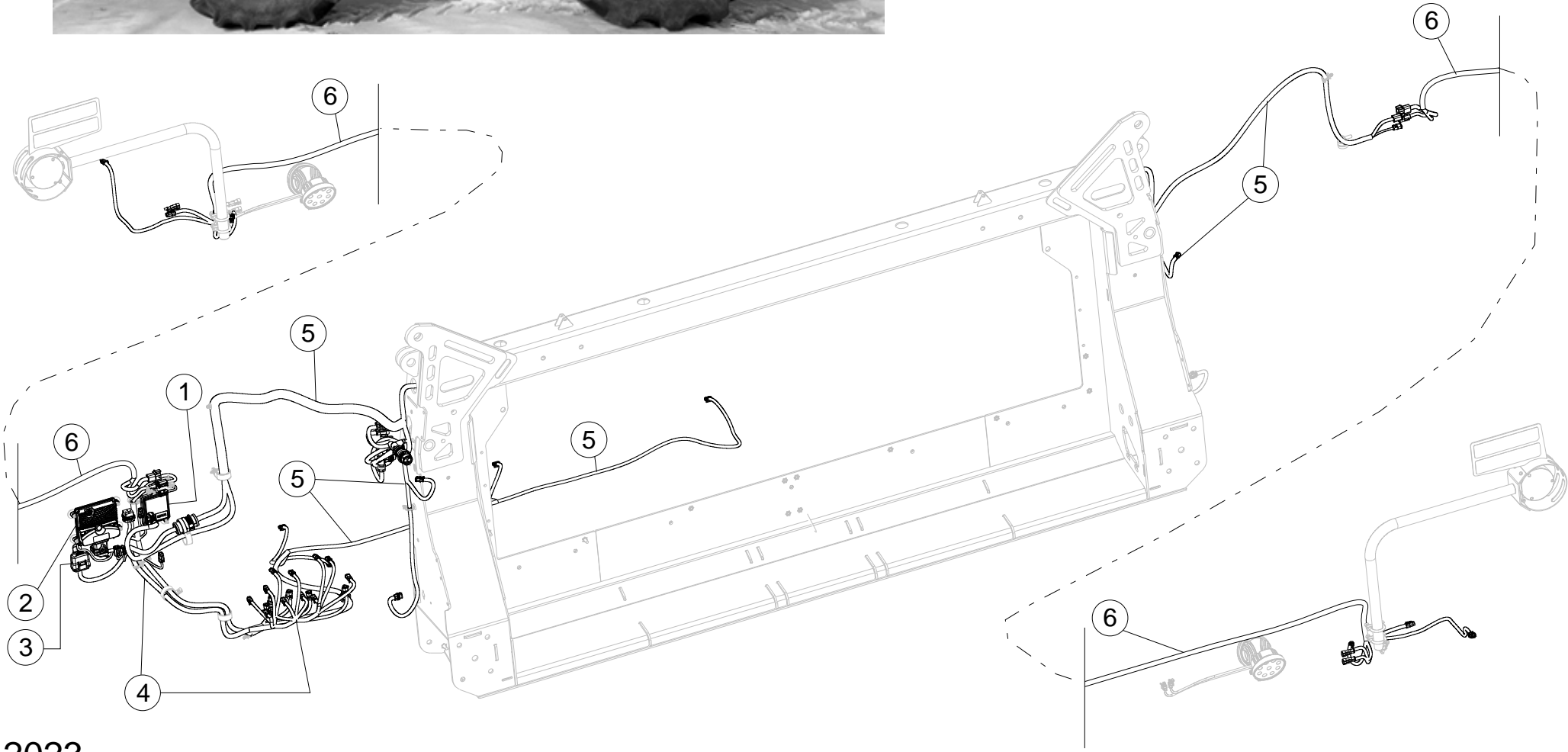
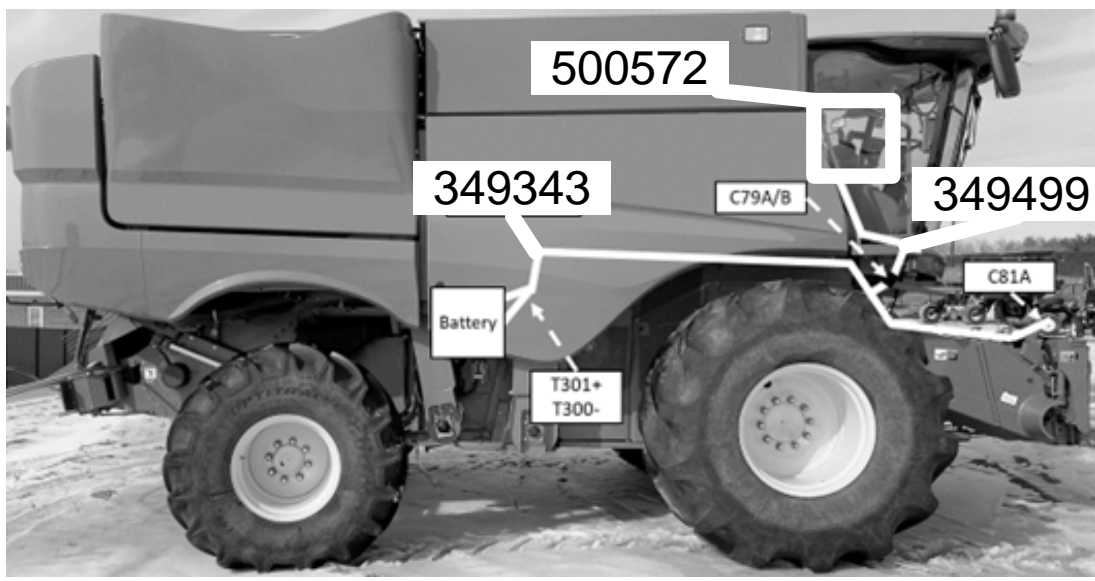


Ref.	Part number	Description	All models
1.	1.371.850	Frame welded JD	1
2.	1.329.398	Retainer	2
3.	1.372.950	Rubber plate	2
4.	1.320.280	Flat iron	2
5.	1.329.397	Filler	3
6.	1.372.952	Rubber plate	1
7.	1.329.400	Plate	1
8.	1.373.715	Cardan shaft - 21 spline - (W2500)	2
**8.	1.369.002	Cardan shaft - 21 spline - (CV)	2
9.	1.327.486	Yoke - 21 spline (w2500) (l=133)	2
10.	79416005066	Hex head screw - M16X50	4
11.	72216000060	Spring washer - M16	6
12.	73516000066	Hex nut - M16 - DIN934/8.8	2
13.	79416004066	Hex head screw - M16X40	2
14.	79408002566	Hex head screw - M8X25 - DIN933/8.8	6
15.	1.314.099	Washer - M8	12
16.	73508000066	Hex nut - M8 - DIN934	18
17.	72208000060	Spring washer - M8 - DIN128/A	18
18.	78200802563	Hex socket button-head bolt TORX - M8X25 - ISO7380/10.9	18
19.	79410003066	Hex bolt - M10X30 - DIN933/8.8	5
20.	91623938861	Spring washer - 10,2X22,25X1,6 - A10	5
21.	237.592	Washer - M10	5
22.	76312003566	Carriage bolt - M12X35	6
23.	71212000060	Washer M12 DIN 9021	6
24.	70712000066	Lock nut - VM12 - DIN980	6
25.	79406002066	Hex bolt - M6X20 - DIN933/8.8	3

Note for item:

** For combines with sidehill compensation

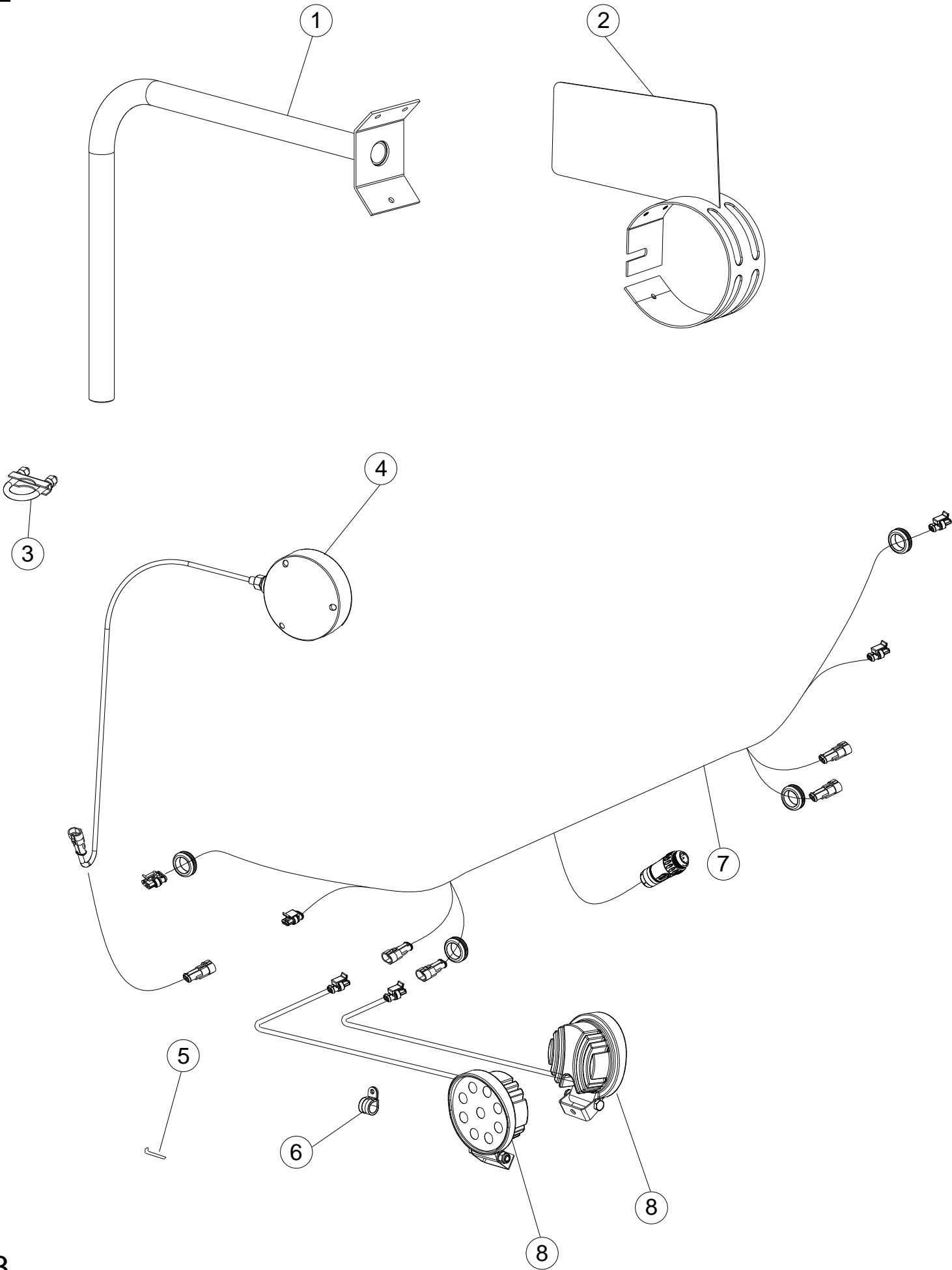
- 349499 - Cab harness
- 349343 - Ext. battery harness
- 349363 - Prox. Sensor harness
- 500572 - MODULE-COM CW FC



Ref.	Part number	Description		
1.	500525	MODULE-CONTROL 6IO BLOC		1
2.	500571	MODULE-CONTROL CW FC		1
3.	500544	Fuse holder		1
4.	349342	Control harness		1
5.	349983	Main harness		1
6.	349508	Wing harness	For FCXX12(C)	2
6.	349269	Wing harness	For FCXX16(C)	2
*-	349499	Cab harness		1
*-	349343	Ext. Battery harness		1
*-	349363	Prox. Sensor harness		2
*-	500572	MODULE-COM CW FC		1

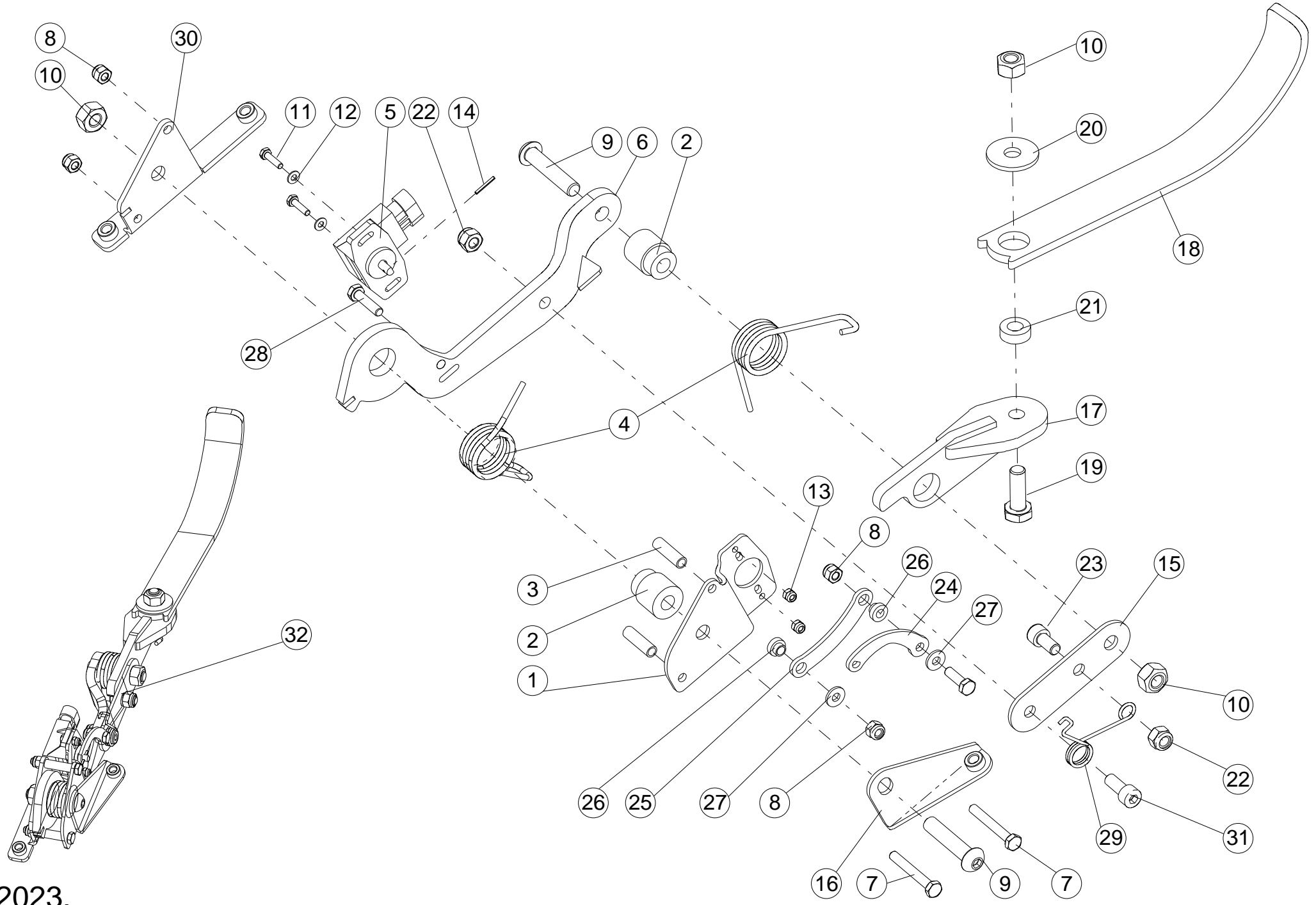
Note for item:

- 349499 - Harness from inside of combine cab to battery harness.
- 349343 - Power harness from combine battery to header.
- 349363 - Harness going to LH or RH skid shoe sensor.
- 500572 - Controller in combine cab.



Ref.	Part number	Description		All models
1.	1.372.902	Lamp - bracket welded		2
2.	1.327.127	Shield		2
3.	1.320.289	Retainer		4
3.	97517031100	Retainer		4
4.	1.337.149	Lamp assy.		2
5.	99652123700	Zip tie - 98X2.5 - White		2
6.	97327001370	Band - 15X15		3
7.	1.371.621	Wire		1
*8.	1.371.620	Stubble Lamp assy		4
-	1.371.622	Lighting kit (#1-8)		1

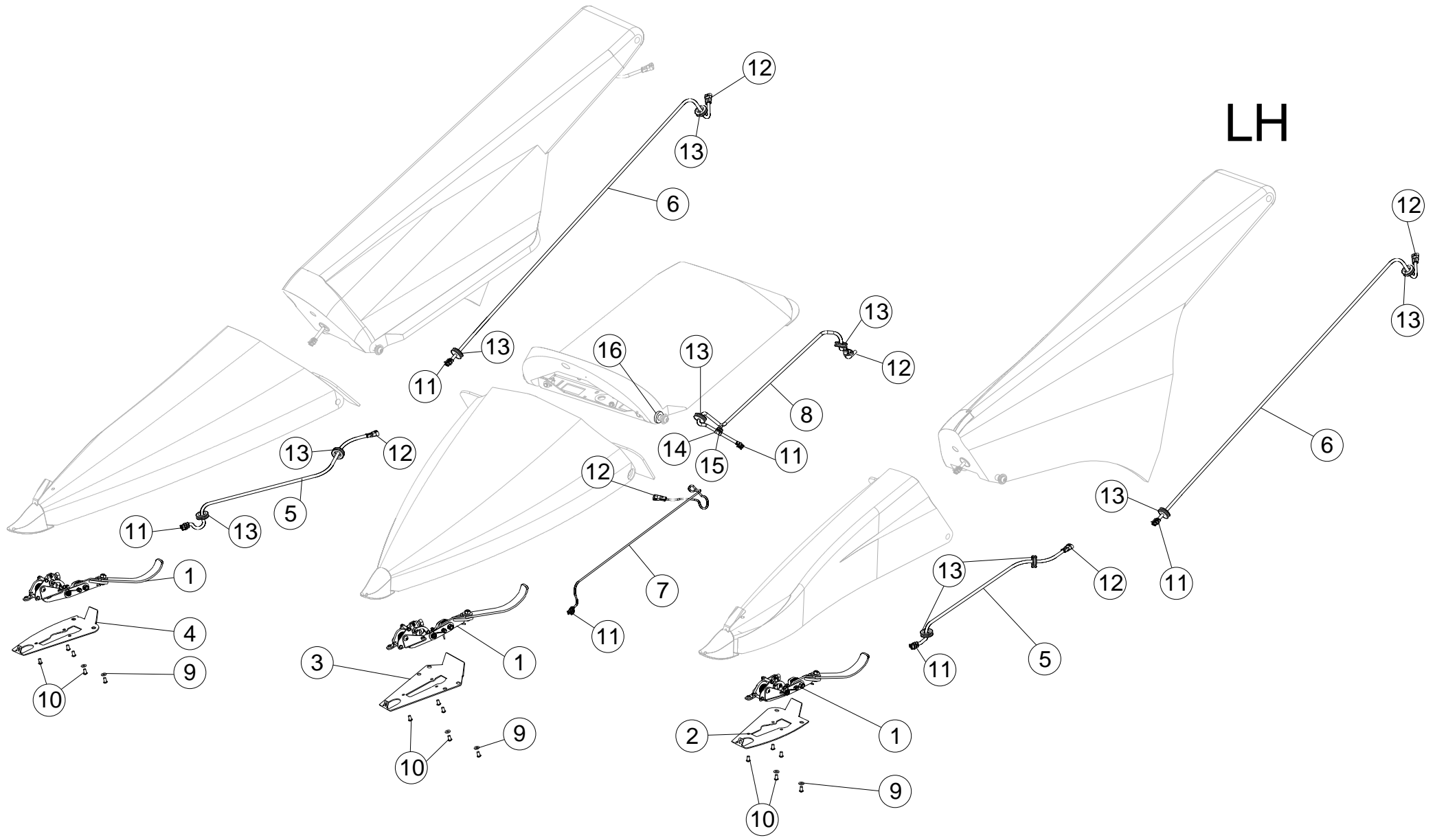
Note: * Item(s) 9, only for JD combine



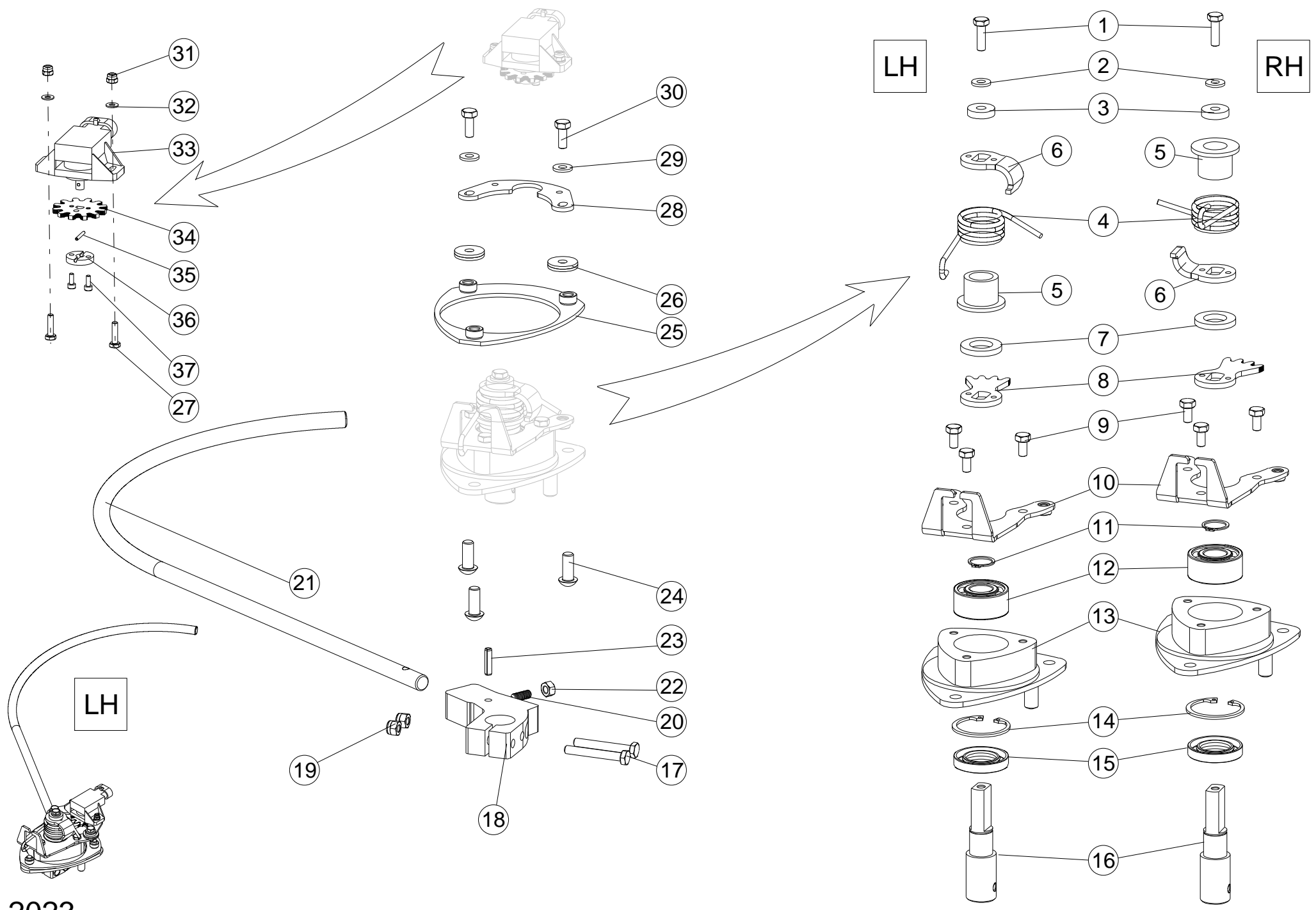
Ref.	Part number	Description		
1.	1.371.677	Bracket		3
2.	1.337.260	Spacer		6
3.	1.371.678	Spacer tube		6
4.	1.329.253	Spring		6
5.	60042406090	Rotation detector		3
6.	1.371.801	Arm welded		3
7.	79306004566	Hex head screw - M6X45		6
8.	74900600066	Nut with non-met. insert - M6 - DIN982		12
9.	81110005066	Hex socket button-head screw - M10X50 - ISO7380/8.8		6
10.	70710000066	Lock nut - M10 - DIN980/8.8		9
11.	79404001666	Hex bolt - M4X16 - DIN933/8.8		6
12.	71404000060	Washer - M4 - DIN125		6
13.	74900400066	Nut with non-met. insert - M4 - DIN982		6
14.	73002001601	Roll pin - 2X16 - DIN1481		3
15.	1.371.670	Connecting part		3
16.	1.371.676	Stiffener		3
17.	1.371.673	Plate welded		3
18.	1.371.674	Skid plate		3
19.	79410003066	Hex bolt - M10X30 - DIN933/8.8		3
20.	96702375920	Washer - M10 10,5X30X3		3
21.	1.371.675	Spacer		3
22.	74900800066	Lock nut - plastic insert - M8 - DIN982/8		6
23.	80208001666	Hex socket head cap bolt - M8X16 - DIN912/8.8		3
24.	1.371.917	Arm		3
25.	1.371.916	Push rod		3
26.	1.371.919	Spacer		3
27.	91623938661	Lock washer - 6X14 - A6		3
28.	79406002566	Hex bolt - M6X25 - DIN933/8.8		3
29.	1.371.810	Spring		3
30.	1.371.679	Bracket		3
31.	80208002066	Hex socket head bolt - M8X20 - DIN912/8.8		3
32.	1.371.918	Automatic Header Height Control (AHC) assy.		3

RH

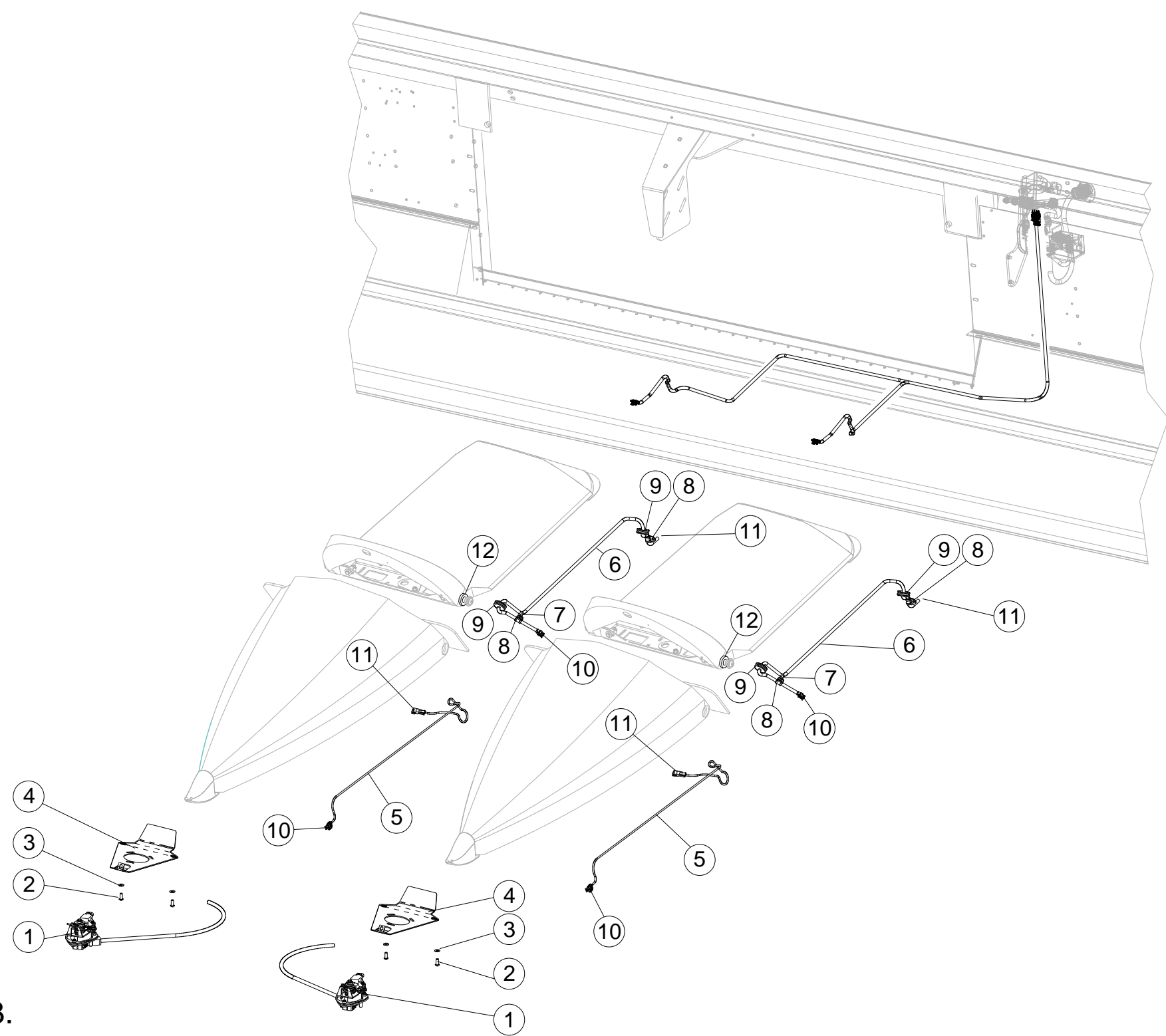
LH



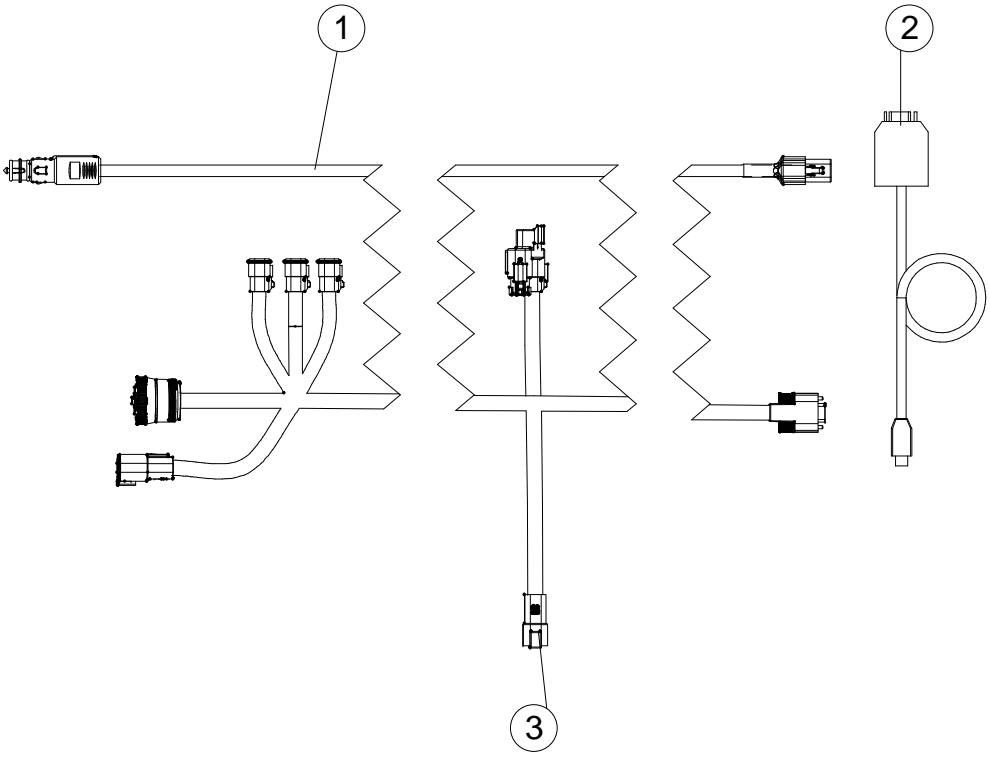
Ref.	Part number	Description		
1.	1.371.918	Automatic Header Height Control (AHC) assy.		3
1.	-	See "Automatic Header Height Control (AHC)" for details.		-
2.	1.371.961	AHC Support - LH		1
3.	1.371.963	AHC Support - Middle 30"		1
4.	1.371.962	AHC Support - RH		1
5.	1.329.908	Wire - (l=850) - Claas Lexion, JD, MF AGCO, CNH 2015->		2
6.	1.371.772	Wire - (l=2000)		2
7.	1.371.967	Wire - (l=1500)		1
8.	1.329.541	Wire - (l=1500)		1
9.	91623938761	Spring washer - 8X18 M8 - A8		6
10.	78200801663	Hex socket button-head bolt - M8X16 - ISO7380/10.9		15
11.	282087	Electric connector		6
12.	282105	Electric connector		6
13.	1.372.903	Grommet 26.5 x 5 mm		12
14.	96792401700	Cable clamp 6x15		7
15.	78706002063	Self tapping screw - 6x20		7
16.	1.371.821	Spacer		2



Ref.	Part number	Description		
1.	79406002066	Hex bolt - M6X20 - DIN933/8.8		2
2.	91623938661	Lock washer - 6X14 - A6		2
3.	1.310.178	Washer		2
4.	1.371.913	Spring holder		2
5.	1.371.191	U-section		2
6.	1.337.128	Spacer		2
7.	1.200.222	Washer		2
8.	1.371.910	Arm		2
9.	79406001266	Hex bolt - DIN933 - M6x12		2
10.	1.371.906	Cover		2
11.	70200001701	Retainer ring - DIN471 17/A T		2
12.	87000320314	Bearing - 3203 2RS		2
13.	1.371.907	Block		2
14.	70100004001	Retaining ring - internal - 40X1.75 - DIN472		2
15.	85802204007	Seal ring - 22X40X0.7 - DIN3760		2
16.	1.371.908	Shaft		2
17.	79406004566	Hex bolt - M6X45 - DIN933		4
18.	1.371.902	Arm		2
19.	74900600066	Nut with non-met. insert - M6 - DIN982		4
20.	73506000066	Hex nut - M6 - DIN934		2
21.	1.371.901	Whisker		2
22.	80106001606	Set screw - M6X16 - DIN916		2
23.	73005002001	Roll pin - 5X20 - DIN1481		2
24.	78200802063	Hex socket button-head bolt - M8X20 - ISO7380/10.9		6
25.	1.337.124	Retaining plate		2
26.	96702361800	Washer - M6		4
27.	79404001666	Hex bolt - M4X16 - DIN933/8.8		4
28.	1.371.909	Bracket		2
29.	91623938661	Lock washer - 6X14 - A6		4
30.	79406001666	Hex head screw - M6X16 - DIN933		4
31.	74904000066	Hex nut - plastic insert - M4 - DIN985		4
32.	71404000060	Washer - M4 - DIN125		4
33.	60042406090	Rotation detector		2
34.	1.337.132	Gear		2
35.	73002001601	Roll pin - 2X16 - DIN1481		2
36.	1.371.820	Retainer		2
37.	80208000863	Hex socket head bolt - M8X8 - DIN912/10.9		4



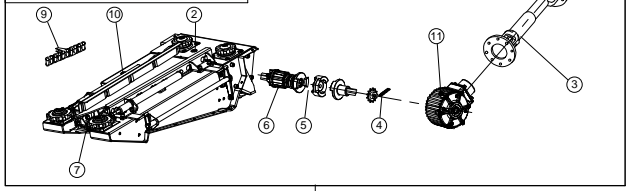
Ref.	Part number	Description		
1.	1.371.903	Row guidance assy. - LH		1
1.	1.371.904	Row guidance assy. - RH		1
1.	-	See "Row Guidance" for details		-
2.	78200802063	Hex socket button-head bolt - M8X20 - ISO7380/10.9		4
3.	91623938761	Spring washer - 8X18 M8 - A8		4
4.	1.337.119	Bracket 30"		2
5.	1.371.967	Wire - (l=1500)		2
6.	1.329.541	Wire - (l=1500)		2
7.	78706002063	Self tapping screw - 6x20		4
8.	96701002000	Cable clamp		4
9.	1.372.903	Grommet 26.5 x 5 mm		4
10.	282087	Electric connector		4
11.	282105	Electric connector		4
12.	1.371.821	Spacer		4



Ref.	Part number	Description		
1.	328555	Kit-Cab PWR BOSCH/AUX		2
2.	500593	CABLE - PCAN TO USB		1
3.	500557	HARNESS-DIAG., PROGRAMMING		1
-	368385	Programming Kit	Includes #1-3	1

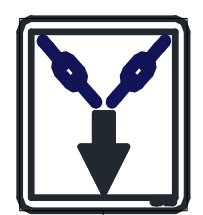
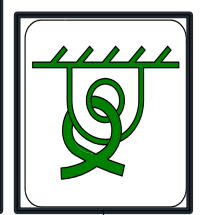
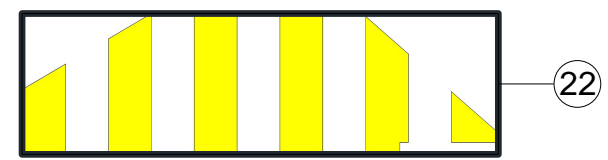
Lubrication table			
#	type	period	qty.
1	EP NLGI Grade 2*	250 [h]	look at operator's manual
2	EP-00 grease	250 [h]	5,5 [pounds] 2,5 [kg]
3	EP NLGI Grade 2*	250 [h]	look at operator's manual
4	EP NLGI Grade 2* alt.: Gearbox oil	250 [h]	look at operator's manual
5	EP NLGI Grade 2*	50 [h]	look at operator's manual
6	EP NLGI Grade 2*	250 [h]	look at operator's manual
7	EP NLGI Grade 2*	250 [h]	look at operator's manual
8	Gearbox oil	50 [h]	look at operator's manual
9	Gearbox oil	10 [h]	look at operator's manual
10	SAE 80W-140**	50 [h]	10,15 [l. eq.] 0,3 [l.]
11	SAE 80W-140**	250 [h]	30,45 [l. eq.] 0,9 [l.]

*high temperature, 2% max molybdenum disulphide, lithium base
**SAE 80W-140 can be used as an alternative



NEED MORE INFO?
Use your phone camera to scan the QR code below for support documents, videos & more!

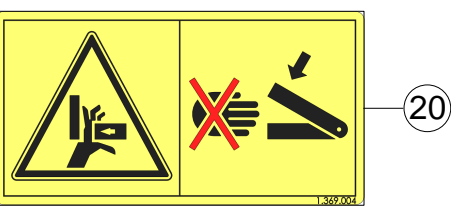
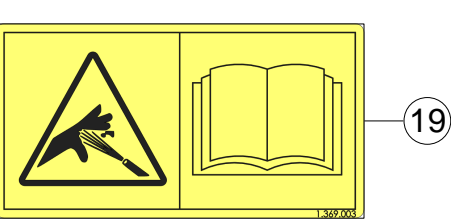
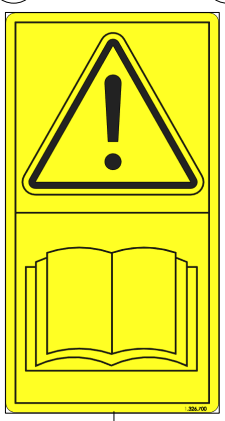
MacDon
The Harvesting Specialists.



Nitrogen precharge pressure:

_____ psi

_____ bar



Ref.	Part number	Description	All models
1.	1.377.253	Lubricating label	1
2.	1.369.091	Charge pressure	4
3.	1.372.822	QR code label	1
4.	1.315.438	Warning label	2
5.	1.315.439	Warning label	2
6.	1.315.440	Warning label	2
7.	1.326.700	Warning label	2
8.	1.326.701	Warning label	2
9.	1.326.702	Warning label	2
10.	1.326.703	Warning label	2
11.	1.379.142	Warning label	2
12.	1.326.705	Warning label	2
13.	1.379.143	Warning label	2
14.	1.369.071	Warning label	3
15.	1.372.836	Warning label	2
16.	1.372.837	Warning label	2
17.	115146	Reflective strip, amber	2
17.	115147	Reflective strip, red	6
17.	115145	Reflective strip, orange	6
18.	1.372.890	Tie-down point label	2
19.	1.369.003	Warning label	2
20.	1.369.004	Warning label	4
21.	514.038.0	Lifting bar sticker	4
22.	1.373.044	Chopper knife cover label	1

OctiRoll™ — ①
RESIDUE MANAGEMENT SYSTEM

FlexCorn — ②

COMBINE TRANSITION FRAME FOR:
CLAAS/LEXION — ⑧
187688

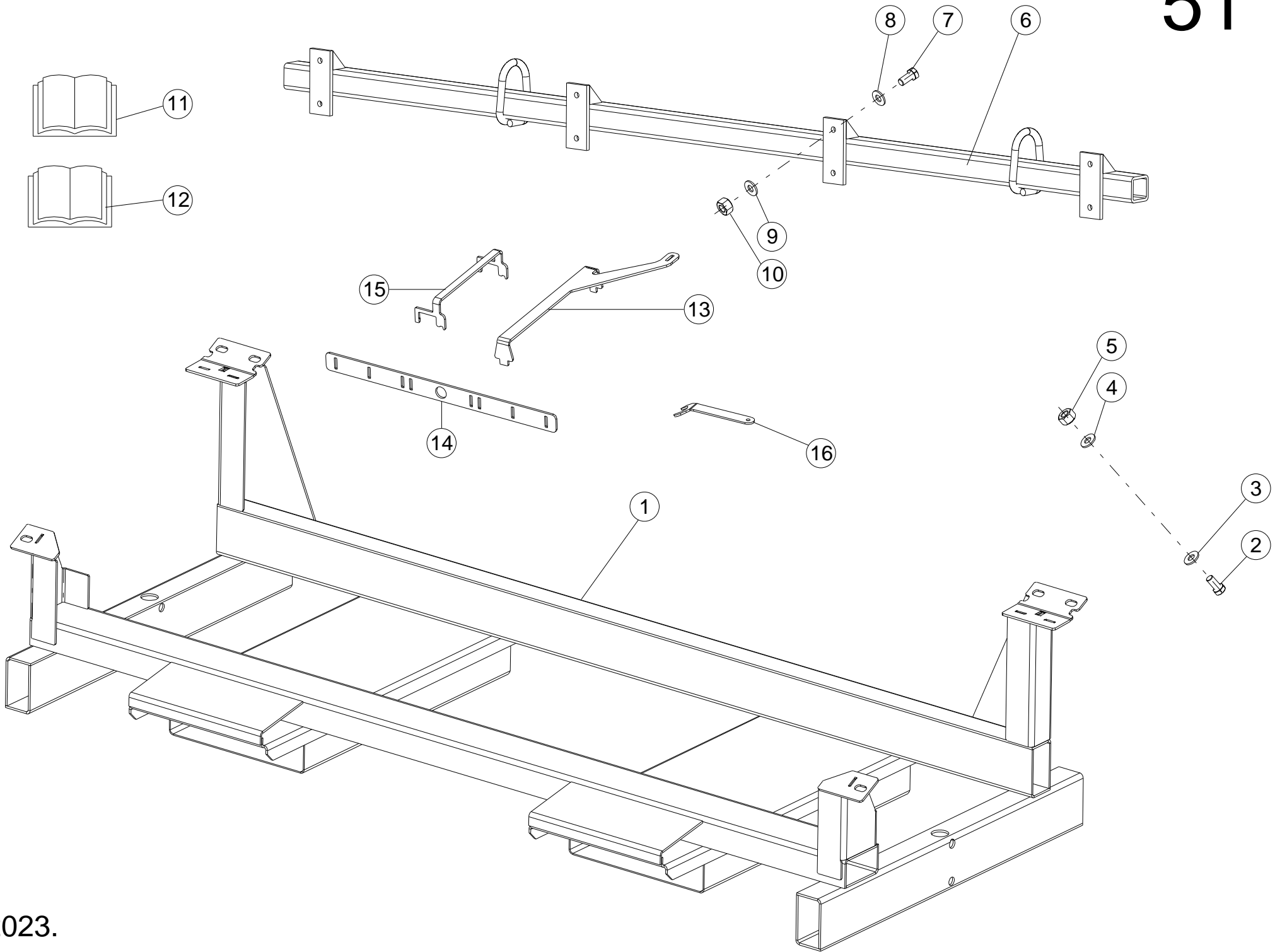
COMBINE TRANSITION FRAME FOR:
JOHN DEERE — ⑨
187689

COMBINE TRANSITION FRAME FOR:
CNH — ⑩
CASE AFX and 2009 & NEWER MIDRANGE
NH CR/CX - ALL MODELS
187691

LH	RH	
FC3012 c	FC3012 c	③
FC3012	FC3012	④
FC3016 c	FC3016 c	⑤
FC3016	FC3016	⑥

MacDon — ⑦

Ref.	Part number	Description	All models
1.	211463	Label OCTIROLL	1
2.	1.380.483	Decal - FlexCorn	1
3.	1.380.475	Decal - FC3012c - LH	1
3.	1.380.476	Decal - FC3012c - RH	1
4.	1.380.477	Decal - FC3012 - LH	1
4.	1.380.478	Decal - FC3012 - RH	1
5.	1.380.479	Decal - FC3016c - LH	1
5.	1.380.480	Decal - FC3016c - RH	1
6.	1.380.481	Decal - FC3016 - LH	1
6.	1.380.482	Decal - FC3016 - RH	1
7.	1.371.236.1	Label - MacDon LH - CASE IH red	1
7.	1.371.236.2	Label - MacDon LH - NH yellow	1
7.	1.371.236.3	Label - MacDon LH - JD green	1
7.	1.371.236.10	Label - MacDon LH - standard gray	1
7.	1.371.237.1	Label - MacDon RH - CASE IH red	1
7.	1.371.237.2	Label - MacDon RH - NH yellow	1
7.	1.371.237.3	Label - MacDon RH - JD green	1
7.	1.371.237.10	Label - MacDon RH - standard gray	1
8.	1.372.882	Window frame label - CLAAS/LEXION	1
9.	1.372.883	Window frame label - JOHN DEERE	1
10.	1.372.885	Window frame label - CNH	1



Ref.	Part number	Description	All models
1.	1.380.340	Shipping stand weld.	1
2.	79416004563	Hex bolt - M16X45 - DIN931/10.9	4
3.	71416000060	Washer - M16 17X30X3 - DIN125 - 200HV	4
4.	72216000060	Spring washer - M16	2
5.	73516000063	Hex nut - M16 - DIN934/10.9	2
6.	1.353.054	Lifting bar weld.	1
7.	79412003566	Hex bolt - M12X35 - DIN933/8.8	16
8.	71412000060	Washer - M12 - DIN125 - 200HV	16
9.	91623938961	Spring washer - A12	16
10.	70712000066	Lock nut - VM12 - DIN980	16
11.	*	Reference MacDon.com for latest manuals and technical information.	
12.	*	Reference MacDon.com for latest manuals and technical information.	
12.	1.371.155	Unloading and Assembly Instructions	1
13.	1.369.047	Snapping Plate Tool	
14.	1.369.048	Snout Seating Tool	
15.	1.369.049	Snapping Gauge Tool	
16.	1.378.697	Wrench	1

Note: Item 16 only for machines with chopper!

TORQUE VALUES FOR FASTENERS (Nm)

SIZE	QUALITY		
BOLTS / SCREWS	8.8	10.9	12.9
NUTS	8.	10.	12.
M6	10	14	16
M8	23	33	40
M10	45	63	75
M12	78	110	130
M14	122	175	210
M16	195	270	325
M18	260	370	440
M20	370	525	630
M24	640	900	1080
M30	1260	1800	2160

TORQUE VALUES FOR FASTENERS (ft*lbs)

SIZE	QUALITY		
BOLTS / SCREWS	8.8	10.9	12.9
NUTS	8.	10.	12.
M6	7	10	12
M8	17	24	30
M10	33	46	55
M12	58	81	96
M14	90	129	155
M16	144	199	240
M18	192	273	325
M20	273	387	465
M24	472	664	797
M30	929	1328	1593

TORQUE VALUES FOR - L Series

Size	Minimum Tube Wall Thickness	Torque Value	
		Nm	lbf ft (*lbf in)
6	6 x 1	25	*221
8	8 x 1	40	30
10	10 x 1	50	37
12	12 x 1.5	70	52
15	15 x 1.5	90	66
18	18 x 1.5	115	85
22	22 x 2	210	155
28	28 x 2	310	229
35	35 x 3	500	369
42	42 x 3	600	443

TORQUE VALUES FOR - S Series

Size	Minimum Tube Wall Thickness	Torque Value	
		Nm	lbf ft (*lbf in)
6	6 x 2	35	26
8	8 x 1.5	55	41
10	10 x 1.5	70	52
12	12 x 1.5	85	63
14	14 x 2	110	81
16	16 x 1.5	120	89
20	20 x 2	200	148
25	25 x 2.5	340	251
30	30 x 3	480	354
38	38 x 4	850	627

Part number index – 2023

1

Part number	Page ID	Part number	Page ID
030969	(19)	349126	(03)
115145	(49)	349191	(20), (21)
115146	(49)	349213	(22)
115147	(49)	349216	(19)
129710	(21)	349269	(42)
135778	(09), (19), (20), (24), (26)	349294	(19)
135780	(20), (26)	349342	(42)
135786	(19)	349343	(42)
135917	(19)	349363	(42)
136075	(19)	349499	(42)
136089	(19)	349508	(42)
136095	(20)	349741	(20)
136145	(19)	349844	(22)
136150	(24)	349983	(42)
136220	(20)	352118	(21)
136244	(24)	352186	(21)
136253	(19)	352187	(21)
136295	(20)	364804	(03)
136347	(20)	364926	(21)
136386	(19)	364927	(21)
136514	(13), (23)	364930	(21)
184461	(19), (20)	364931	(21)
184463	(20), (24), (26)	364932	(21)
191705	(24)	364934	(21)
209045	(21), (22)	364935	(21)
211463	(50)	364939	(21)
220908	(21), (22)	364940	(21)
252319	(21)	364941	(21)
252321	(21)	364942	(21)
252333	(21)	364943	(21)
252350	(21)	364962	(21)
252352	(21)	364963	(21)
252353	(21)	364964	(22)
277406	(19)	364965	(21)
277495	(01), (19)	364971	(21)
277588	(21)	364972	(21)
277598	(21)	364973	(21)
277848	(21), (22)	364974	(21)
282087	(45), (47)	364975	(21)
282105	(45), (47)	364976	(21)
313793	(09)	364977	(21)
313794	(09)	364990	(21)
320494	(21)	364991	(22)
324741	(09)	368385	(48)
324796	(09)	500525	(42)
324975	(19)	500544	(42)
328555	(48)	500557	(48)
349087	(09), (10)	500571	(42)

Part number index – 2023

2

Part number	Page ID
500572	(42)
500593	(48)
05200000800	(32)
05200001200	(32), (37)
05200001600	(35)
05200200024	(32), (35), (37)
54000111532	(18)
60042406090	(44), (46)
63002003009	(37)
63003026500	(35)
63003030010	(35)
63003503500	(35), (37)
70006001062	(04)
70006011860	(36)
70100003201	(35)
70100003501	(35)
70100004001	(36), (46)
70100004701	(07)
70100005201	(38)
70100006201	(35), (37)
70100007201	(35), (37)
70100008001	(35), (37)
70100008501	(35)
70110000001	(13), (14), (15)
70200001701	(46)
70200002501	(35), (37)
70200003001	(35), (37)
70200003201	(07)
70200003501	(07), (35)
70200004501	(07), (35)
70200004561	(25)
70200005001	(37)
70200006501	(05)
70706000066	(30)
70708000063	(13)
70708000066	(06), (08), (09), (13), (14), (15), (16), (25), (27), (30)
70710000066	(08), (09), (10), (13), (14), (15), (29), (31), (34), (44)
70712000066	(07), (10), (41), (51)
70712012563	(37)
70716000066	(01), (09), (10)
70808000026	(30)
71210000060	(40)
71212000060	(41)
71309000070	(01), (09)
71404000060	(02), (44), (46)
71408000060	(06), (08), (13), (14), (15), (25), (27)

Part number	Page ID
71410000060	(07), (08), (09), (13), (29), (34)
71412000060	(30), (51)
71416000060	(10), (40), (51)
71428000060	(01), (03)
71610513001	(32)
71610513002	(32)
71610513005	(32)
71619026020	(35)
71619026050	(35)
71619026120	(35)
71625035010	(35)
71625035020	(35)
71625035050	(35)
71625035200	(35)
71630042010	(35)
71630042020	(35)
71630042050	(35)
71632045100	(07)
71635045010	(35)
71635045020	(35)
71635045050	(35)
71645055010	(35)
71645055020	(35)
71645055050	(35)
71645055200	(35)
71650062010	(32)
71650062020	(32)
71650062050	(32)
71656072030	(37)
71663080010	(37)
71663080020	(37)
71663080050	(37)
71808000060	(18), (37)
71810000060	(29), (32), (34), (35)
71812000060	(32)
72208000060	(01), (14), (16), (25), (41)
72210000060	(13), (33)
72212000060	(13), (15)
72216000060	(40), (41), (51)
72404002860	(30)
72405004560	(03)
73002001601	(02), (44), (46)
73005000801	(34)
73005001601	(34)
73005002001	(46)
73006005501	(36)
73010005501	(36)
73100105501	(36)

Part number index – 2023

3

Part number	Page ID	Part number	Page ID
73505000066	(25), (27)	79316016066	(09)
73506000066	(02), (30), (46)	79316155066	(37)
73508000066	(01), (09), (11), (13), (14), (15), (16), (19), (27), (30), (31), (39), (40), (41)	79320007063	(04)
73510000066	(08), (11)	79404001666	(44), (46)
73516000063	(51)	79405001660	(25), (27)
73516000066	(40), (41)	79406001066	(31)
74900400066	(44)	79406001266	(46)
74900600066	(44), (46)	79406001666	(16), (46)
74900800066	(01), (11), (30), (44)	79406002066	(41), (46)
74901000066	(03)	79406002566	(13), (44)
74901200066	(07), (08), (40)	79406003066	(14)
74901400066	(34)	79406004566	(46)
74904000066	(02), (46)	79408001666	(07), (13), (14), (15), (16), (29), (30), (31)
74906000066	(13), (14)	79408001866	(15), (34)
74908000066	(13), (14), (15), (18)	79408002066	(08), (09), (11), (13), (14), (15), (17), (18), (30), (31), (34), (39)
74912000066	(18)	79408002566	(01), (11), (17), (25), (27), (31), (40), (41)
76308001666	(13), (15)	79408003066	(01), (13), (14), (15), (16)
76308002066	(14), (16), (30), (39)	79408003566	(14)
76308002566	(13), (14), (15)	79408004066	(13), (15), (29)
76310002566	(09), (10)	79408004566	(11), (13), (14), (15)
76310003566	(34)	79408005066	(13), (15), (18)
76312003566	(41)	79408005566	(13), (15)
76312004066	(07), (08)	79408006566	(13), (15), (16)
77208004560	(13), (14), (15), (16)	79408008066	(13), (14), (15)
78200801663	(45)	79408010066	(17)
78200802063	(14), (16), (46), (47)	79410001666	(29)
78200802563	(16), (41)	79410002066	(07), (11), (30), (34)
78212003563	(13), (14), (15), (16)	79410002566	(07), (08), (14), (15), (16), (34), (40)
78706002063	(45), (47)	79410003063	(34)
79200800160	(32)	79410003066	(03), (07), (31), (34), (41), (44)
79201601560	(35)	79410004566	(09), (34)
79202001560	(32)	79410006066	(29)
79306004566	(44)	79410020643	(07)
79308004066	(14)	79412002066	(31)
79308005066	(14)	79412003066	(10), (31)
79308005566	(14), (19)	79412003566	(18), (34), (51)
79308006566	(14)	79412125256	(36)
79308007066	(13), (15)	79414004566	(31)
79308007566	(19)	79416003566	(04)
79308009063	(14)	79416004066	(40), (41)
79308010063	(16)	79416004563	(04), (51)
79308010066	(09)	79416005066	(40), (41)
79310008076	(15)	80106001606	(46)
79312016066	(40)	80108001266	(33)
79316007066	(01)		
79316013063	(10)		
79316013066	(09)		

Part number index – 2023

4

Part number	Page ID	Part number	Page ID
80204001666	(02)	85804572081	(37)
80206001666	(02)	85805007208	(37)
80208000863	(46)	85805008008	(35)
80208001666	(44)	85805080100	(32)
80208002066	(27), (44)	85805508500	(32)
80208002566	(18)	85807200700	(35)
80208003066	(37)	87000003556	(07)
80210003063	(34)	87000013556	(07)
80210003066	(13)	87000100000	(02)
80210003563	(29), (34), (35)	87000131262	(32)
80210004063	(35)	87000320314	(36), (46)
80210004066	(33)	87000324622	(05)
80212003066	(07)	87000421010	(35)
80212035063	(32)	87000620611	(35), (37)
80214004566	(34)	87001000000	(02)
80214006566	(34)	87001420710	(35)
80308002062	(34)	87001601010	(35)
80310003063	(32)	87001620414	(07)
80400602063	(37)	87001620514	(38)
80400802063	(37)	87001620614	(35)
80400802563	(35)	87001620710	(37)
80401003063	(35)	87001620810	(37)
80401004063	(07)	87001620910	(35)
80408001266	(13), (14), (15)	87001621010	(32)
80408001666	(01)	87006191014	(37)
80414005063	(38)	87010620214	(37)
81103000866	(02)	87010621114	(32)
81106001663	(30)	87010630510	(35)
81108001663	(13), (14), (15)	87013021001	(32)
81108002063	(13), (15)	87030620514	(18)
81108002563	(06)	87030620914	(07)
81110001666	(07)	87213035789	(05)
81110005066	(44)	87300007215	(07)
84210084000	(07)	87300008516	(07)
84304001200	(17)	91604012000	(04)
84501000032	(33)	91623938661	(02), (16), (44), (46)
84530000000	(34)		(11), (13), (14), (15), (16), (17), (18), (19), (27), (29), (30), (31), (34), (39), (40), (45), (47)
84553333520	(34)	91623938761	
85609000000	(37)		(03), (07), (08), (09), (10), (11), (14), (15), (16), (29), (30), (31), (34), (40), (41)
85801001000	(35)	91623938861	
85802204007	(46)		(07), (08), (13), (14), (15), (16), (31), (34), (36), (51)
85803200500	(35)	91623938961	
85803500700	(37)		(31)
85803800700	(32)	91623939061	(31)
85804006207	(35)	91623939161	(04), (37)
85804055007	(35)	96700000002	(14), (15)
85804506208	(35)	96700000003	(34)
85804508501	(35)		

Part number index – 2023

5

Part number	Page ID
96701002000	(47)
96701314099	(18)
96702361800	(14), (46)
96702375920	(34), (44)
96708040102	(11), (19)
96713665500	(09), (13)
96716002720	(16)
96720070601	(01), (13), (14), (15), (25), (27)
96732462000	(05)
96732462100	(05)
96767374961	(01), (03)
96792401700	(45)
96792685501	(30)
96799585520	(02)
97308040102	(11), (19)
97313256500	(04)
97327001370	(43)
97517031100	(43)
99652123700	(43)
665021204000	(09)
1.200.222	(46)
1.301.433	(07)
1.304.893	(07)
1.308.195	(29)
1.309.011	(07)
1.309.052	(07)
1.309.247	(35), (37)
1.310.009	(13), (14), (15)
1.310.178	(46)
1.313.536	(31)
1.314.099	(13), (14), (15), (16), (17), (25), (41)
1.314.509	(23)
1.315.438	(49)
1.315.439	(49)
1.315.440	(49)
1.319.165	(30)
1.319.171	(30)
1.320.280	(41)
1.320.289	(43)
1.322.794	(18)
1.326.221	(34)
1.326.700	(49)
1.326.701	(49)
1.326.702	(49)
1.326.703	(49)
1.326.705	(49)
1.327.000	(25)

Part number	Page ID
1.327.001	(25)
1.327.002	(25)
1.327.003	(25)
1.327.052	(25)
1.327.054	(25)
1.327.127	(43)
1.327.131	(30)
1.327.148	(27)
1.327.486	(40), (41)
1.327.488	(40)
1.327.510	(27)
1.327.689	(13), (14), (37)
1.327.690	(37)
1.328.006	(14)
1.329.163	(16)
1.329.164	(13), (14), (15), (16)
1.329.247	(40)
1.329.250	(40)
1.329.253	(40), (44)
1.329.397	(41)
1.329.398	(41)
1.329.400	(41)
1.329.541	(45), (47)
1.329.747	(13), (14), (15), (16)
1.329.890	(25)
1.329.908	(45)
1.332.515	(27)
1.332.689	(16)
1.332.690	(16)
1.337.119	(47)
1.337.124	(46)
1.337.128	(46)
1.337.132	(46)
1.337.149	(43)
1.337.260	(44)
1.337.337	(26)
1.337.340	(24)
1.340.487	(09)
1.351.349	(07)
1.353.038	(37)
1.353.054	(51)
1.353.461	(13), (14), (15)
1.353.462	(13), (14), (15), (16)
1.353.552	(25)
1.353.553	(25)
1.354.106	(25)
1.354.107	(25)
1.354.310	(13), (14), (15)

Part number index – 2023

6

Part number	Page ID
1.354.310A	(13), (14), (15)
1.354.571	(13), (14), (15)
1.354.660	(33)
1.354.663	(33)
1.354.667	(13), (14)
1.355.038	(37)
1.355.039	(37)
1.355.403	(33)
1.355.710	(31)
1.355.909	(33)
1.369.002	(40), (41)
1.369.003	(49)
1.369.004	(49)
1.369.046	(01)
1.369.047	(51)
1.369.048	(51)
1.369.049	(51)
1.369.071	(49)
1.369.091	(49)
1.369.122	(16)
1.371.013	(12)
1.371.093.1	(16)
1.371.093.10	(16)
1.371.093.2	(16)
1.371.093.3	(16)
1.371.094.1	(16)
1.371.094.10	(16)
1.371.094.2	(16)
1.371.094.3	(16)
1.371.095.1	(16)
1.371.095.10	(16)
1.371.095.2	(16)
1.371.095.3	(16)
1.371.096.1	(16)
1.371.096.10	(16)
1.371.096.2	(16)
1.371.096.3	(16)
1.371.155	(51)
1.371.159	(16)
1.371.166	(16)
1.371.172	(16)
1.371.173	(16)
1.371.191	(46)
1.371.212	(34)
1.371.213	(34)
1.371.236.1	(50)
1.371.236.10	(50)
1.371.236.2	(50)

Part number	Page ID
1.371.236.3	(50)
1.371.237.1	(50)
1.371.237.10	(50)
1.371.237.2	(50)
1.371.237.3	(50)
1.371.357	(36)
1.371.358	(36)
1.371.600	(13), (16)
1.371.602	(16)
1.371.620	(43)
1.371.621	(43)
1.371.622	(43)
1.371.670	(44)
1.371.673	(44)
1.371.674	(44)
1.371.675	(44)
1.371.676	(44)
1.371.677	(44)
1.371.678	(44)
1.371.679	(44)
1.371.772	(45)
1.371.777	(32)
1.371.801	(44)
1.371.810	(44)
1.371.820	(02), (46)
1.371.821	(13), (45), (47)
1.371.850	(41)
1.371.901	(46)
1.371.902	(46)
1.371.903	(47)
1.371.904	(47)
1.371.906	(46)
1.371.907	(46)
1.371.908	(46)
1.371.909	(46)
1.371.910	(46)
1.371.913	(46)
1.371.916	(44)
1.371.917	(44)
1.371.918	(44), (45)
1.371.919	(44)
1.371.961	(45)
1.371.962	(45)
1.371.963	(45)
1.371.967	(45), (47)
1.372.283	(40)
1.372.314	(31)
1.372.352	(13), (14), (15)

Part number index – 2023

7

Part number	Page ID	Part number	Page ID
1.372.376.1	(18)	1.373.502.3	(18)
1.372.376.10	(18)	1.373.503.1	(18)
1.372.376.2	(18)	1.373.503.10	(18)
1.372.376.3	(18)	1.373.503.2	(18)
1.372.377.1	(18)	1.373.503.3	(18)
1.372.377.10	(18)	1.373.648	(29)
1.372.377.2	(18)	1.373.670	(34), (36)
1.372.377.3	(18)	1.373.671	(34), (36)
1.372.566	(16)	1.373.712	(40)
1.372.711	(31)	1.373.715	(40), (41)
1.372.712	(31)	1.373.725	(23), (29)
1.372.715	(31)	1.373.730	(29)
1.372.716	(31)	1.373.732	(28)
1.372.822	(49)	1.373.733	(28)
1.372.836	(49)	1.373.734	(34)
1.372.837	(49)	1.373.738	(34)
1.372.861	(16)	1.373.740	(34)
1.372.862	(16)	1.373.749	(13), (14)
1.372.865	(17)	1.373.870	(32)
1.372.866	(17)	1.373.871	(32)
1.372.872	(03)	1.373.898	(32)
1.372.882	(50)	1.373.932	(07)
1.372.883	(50)	1.373.991	(23)
1.372.885	(50)	1.373.997	(16)
1.372.888	(14)	1.373.997A	(16)
1.372.890	(49)	1.373.998	(16)
1.372.902	(43)	1.375.019	(35)
1.372.903	(45), (47)	1.375.669	(23)
1.372.920	(07)	1.375.687	(35)
1.372.926	(07)	1.375.689	(35)
1.372.937	(12)	1.375.693	(35)
1.372.944	(07)	1.375.694	(35)
1.372.945	(13), (14), (15)	1.375.695	(35)
1.372.946	(17)	1.375.696	(35)
1.372.950	(41)	1.375.697	(35)
1.372.952	(41)	1.375.698	(35)
1.373.044	(49)	1.375.699	(35)
1.373.045	(07)	1.375.700	(35)
1.373.046	(07)	1.375.701	(37)
1.373.148	(13), (14), (15)	1.375.702	(37)
1.373.151	(13), (14), (15)	1.375.703	(35)
1.373.153	(13), (14), (15)	1.375.706	(35)
1.373.387	(35)	1.375.710	(35)
1.373.426	(34)	1.375.712	(35)
1.373.449	(23)	1.375.717	(35)
1.373.502.1	(18)	1.375.722	(35)
1.373.502.10	(18)	1.375.723	(35)
1.373.502.2	(18)	1.375.743	(37)

Part number index – 2023

Part number	Page ID	Part number	Page ID
1.375.744	(35), (37)	1.376.541	(40)
1.375.746	(35)	1.376.542	(40)
1.375.752	(37)	1.376.599	(11)
1.375.754	(35)	1.376.600	(11), (12)
1.375.755	(34), (38)	1.376.676	(16)
1.375.756	(38)	1.376.693.1	(16)
1.375.758	(38)	1.376.693.10	(16)
1.375.760	(38)	1.376.693.2	(16)
1.375.761	(38)	1.376.693.3	(16)
1.375.800	(34)	1.376.694.1	(16)
1.375.801	(34)	1.376.694.10	(16)
1.375.813	(34)	1.376.694.2	(16)
1.375.832	(34)	1.376.694.3	(16)
1.375.833	(34)	1.376.747	(13), (14), (15)
1.375.836	(35)	1.376.752	(31)
1.375.947	(34)	1.376.783	(32), (37)
1.375.955	(35)	1.376.793	(13), (14), (15)
1.375.957	(14)	1.377.088	(34)
1.375.958	(14)	1.377.093	(35)
1.375.966	(07)	1.377.095	(37)
1.375.967	(07)	1.377.106	(31)
1.375.968	(07)	1.377.164	(07)
1.375.969	(07)	1.377.243	(35)
1.375.973	(31)	1.377.244	(35)
1.375.974	(31)	1.377.247	(36)
1.376.067	(34)	1.377.250	(36)
1.376.068	(31), (32)	1.377.251	(25), (34)
1.376.069	(31), (32)	1.377.253	(49)
1.376.070	(31), (32)	1.377.265	(32)
1.376.071	(32)	1.377.268	(38)
1.376.072	(32)	1.377.271	(07)
1.376.073	(32)	1.377.372	(11)
1.376.074	(32)	1.377.380.1	(13), (14), (15)
1.376.075	(32)	1.377.380.10	(13), (14), (15)
1.376.076	(32)	1.377.380.2	(13), (14), (15)
1.376.077	(32)	1.377.380.3	(13), (14), (15)
1.376.078	(32)	1.377.382.1	(17)
1.376.079	(32)	1.377.382.10	(17)
1.376.105	(29)	1.377.382.2	(17)
1.376.127	(11)	1.377.382.3	(17)
1.376.131	(11)	1.377.383.1	(17)
1.376.436	(31)	1.377.383.10	(17)
1.376.444	(31)	1.377.383.2	(17)
1.376.445	(31)	1.377.383.3	(17)
1.376.490	(33)	1.377.392	(36)
1.376.501	(33)	1.377.398	(34)
1.376.502	(33)	1.377.399	(34)
1.376.503	(33)	1.377.425.1	(17)

Part number index – 2023

9

Part number	Page ID	Part number	Page ID
1.377.425.10	(17)	1.377.793	(34)
1.377.425.2	(17)	1.377.799	(37)
1.377.425.3	(17)	1.377.809	(33)
1.377.426.1	(17)	1.377.811	(33)
1.377.426.10	(17)	1.377.814	(33), (34)
1.377.426.2	(17)	1.377.815	(33), (34)
1.377.426.3	(17)	1.377.816	(34), (35)
1.377.428	(17)	1.377.817	(34), (35)
1.377.453	(07)	1.377.845	(28)
1.377.454	(07)	1.377.855	(14)
1.377.462	(13), (14), (15)	1.377.862	(14), (15)
1.377.465	(14)	1.377.902	(13), (14), (15), (16)
1.377.466	(14)	1.377.960	(16)
1.377.533.1	(13), (14), (15)	1.377.961	(16)
1.377.533.10	(13), (14), (15)	1.377.984	(34)
1.377.533.2	(13), (14), (15)	1.377.986	(37)
1.377.533.3	(13), (14), (15)	1.377.989	(34)
1.377.583	(07)	1.377.990	(34)
1.377.722	(35)	1.378.053	(13), (14), (15)
1.377.726	(07)	1.378.128	(31)
1.377.731	(35)	1.378.129	(31)
1.377.732	(35)	1.378.140	(31)
1.377.733	(35)	1.378.141	(31)
1.377.734	(35)	1.378.178	(34)
1.377.738	(14), (15)	1.378.269	(13), (14), (15)
1.377.741	(13), (14), (15)	1.378.292	(39)
1.377.744	(13), (14), (15)	1.378.293	(39)
1.377.747	(13), (14), (15)	1.378.344	(37)
1.377.748	(13), (14), (15)	1.378.347	(37)
1.377.751	(13), (14), (15)	1.378.390	(39)
1.377.762	(34), (37)	1.378.391	(39)
1.377.763	(37)	1.378.400	(33)
1.377.766	(37)	1.378.440	(36)
1.377.767	(37)	1.378.441	(36)
1.377.769	(37)	1.378.446	(03)
1.377.770	(37)	1.378.448	(07)
1.377.775	(35)	1.378.449	(07)
1.377.776	(37)	1.378.474	(34)
1.377.777	(37)	1.378.507	(35)
1.377.778	(37)	1.378.523	(07)
1.377.779	(37)	1.378.696	(23)
1.377.780	(37)	1.378.697	(37), (51)
1.377.781	(37)	1.378.760	(31)
1.377.782	(37)	1.378.808	(18)
1.377.783	(37)	1.378.809	(18)
1.377.787	(37)	1.378.822	(18)
1.377.788	(34)	1.378.825	(18)
1.377.791	(34)	1.378.830	(18)

Part number index – 2023

10

Part number	Page ID	Part number	Page ID
1.378.831	(18)	1.379.488	(07)
1.378.835	(18)	1.379.534	(11)
1.378.838	(33), (34)	1.379.642	(07)
1.378.839	(33), (34)	1.379.686	(37)
1.378.840	(35)	1.379.709	(35)
1.378.841	(35)	1.379.710	(35)
1.378.851	(30)	1.379.711	(33)
1.378.852	(30)	1.379.776	(23)
1.378.853	(30)	1.379.779	(36)
1.378.855	(30)	1.379.780	(36)
1.378.856	(30)	1.379.973	(36)
1.378.858	(18)	1.379.974	(36)
1.378.859	(18)	1.380.038	(01)
1.378.860	(18)	1.380.043	(03)
1.378.861	(18)	1.380.044	(04)
1.378.862	(18)	1.380.118	(07)
1.378.863	(18)	1.380.121	(07)
1.378.985	(31)	1.380.123	(07)
1.378.987	(31)	1.380.128	(05)
1.378.997	(31)	1.380.129	(05)
1.378.999	(31)	1.380.145	(04)
1.379.035	(12)	1.380.151	(05)
1.379.037	(12)	1.380.152	(05)
1.379.060	(31)	1.380.153	(25)
1.379.062	(31)	1.380.161	(04)
1.379.063	(31)	1.380.162	(06), (13)
1.379.064	(31)	1.380.163	(06)
1.379.075	(34)	1.380.164	(01), (03)
1.379.080	(38)	1.380.166	(02)
1.379.081	(38)	1.380.174	(09)
1.379.082	(38)	1.380.179	(09)
1.379.096	(33)	1.380.189	(09)
1.379.099	(11), (12)	1.380.220	(13)
1.379.142	(49)	1.380.221	(06)
1.379.143	(49)	1.380.253	(11)
1.379.146	(31)	1.380.261	(27)
1.379.151	(13), (14), (15)	1.380.268	(06)
1.379.152	(13), (14), (15)	1.380.273	(07)
1.379.153	(38)	1.380.274	(07)
1.379.306	(30)	1.380.276	(07)
1.379.307	(40)	1.380.332	(07)
1.379.457	(23)	1.380.333	(07)
1.379.458	(23)	1.380.340	(51)
1.379.464	(30)	1.380.342	(02)
1.379.465	(37)	1.380.343	(02)
1.379.476	(07)	1.380.348	(19)
1.379.485	(07)	1.380.385	(24)
1.379.487	(07)	1.380.386	(24)

Part number index – 2023

Part number	Page ID	Part number	Page ID
1.380.387	(24), (26)	1.380.485	(06)
1.380.388	(19)	1.380.486	(06)
1.380.393	(19)	1.380.495	(09)
1.380.394	(19)	1.380.496	(15)
1.380.397	(24), (26)	1.380.497	(08), (15)
1.380.398	(24), (26)	1.380.512	(28)
1.380.399	(19)	1.380.515	(12)
1.380.400	(19)	1.380.516	(12)
1.380.402	(19)	1.380.519	(01)
1.380.403	(19)	1.380.520	(03)
1.380.404	(19)	1.380.525	(13), (15)
1.380.406	(19), (23)	1.380.526	(13), (15)
1.380.407	(19), (23)	1.380.550	(01)
1.380.408	(23)	1.380.578	(01)
1.380.409	(23)	1.380.579	(01)
1.380.410	(23)	1.380.584	(19)
1.380.411	(19)	1.380.585	(19)
1.380.420	(09)	1.380.586	(19)
1.380.421	(15)	1.380.587	(19)
1.380.429	(15)	1.380.588	(19)
1.380.434	(09)	1.380.589	(19)
1.380.437	(10)	1.380.590	(19)
1.380.443	(03)	1.380.591	(19)
1.380.446	(07)	1.380.592	(19)
1.380.448	(09), (10)	1.380.593	(19)
1.380.451	(13)	1.380.595	(19)
1.380.452	(13)	1.380.596	(19)
1.380.458	(11), (12)	1.380.597	(19)
1.380.459	(07), (30)	1.380.600	(09)
1.380.460	(12)	1.380.601	(09)
1.380.461	(12)	1.380.604	(25), (27)
1.380.462	(12)	1.380.605	(25), (27)
1.380.463	(12)	1.380.609	(01)
1.380.464	(12)	1.380.611	(02)
1.380.465	(12)	1.380.613	(05)
1.380.466	(12)	1.380.614	(04)
1.380.467	(12)	1.380.616	(08)
1.380.468	(12)	1.380.620	(12)
1.380.475	(50)	1.380.621	(12)
1.380.476	(50)	1.380.631	(08)
1.380.477	(50)	2.361.800	(13)
1.380.478	(50)	2.405.227	(38)
1.380.479	(50)	237.592	(41)
1.380.480	(50)	238.142.0	(15)
1.380.481	(50)	238.234.0	(08)
1.380.482	(50)	514.038.0	(49)
1.380.483	(50)	665.840.0	(07)
1.380.484	(01)	676.304	(07)

Part number index – 2023

12

Part number

Page ID

Part number

Page ID

714C1050060	(29)
714D1050060	(29)
73506000066B	(02)
967PSF30526	(13), (14), (15)
975PV615000	(39)
985AZ102725	(39)
993.454.0	(13), (14), (15)
Loctite 243	(34), (37)
Loctite 5910	(34), (37)
Loctite 603	(37)
NSS	(01), (02), (04), (11), (22)

MacDon®

CUSTOMERS
MacDon.com

CUSTOMERS
MacDon.com

Trademarks of products are the marks of their
respective manufacturers and/or distributors.

Printed in Canada