

Header Angle

Header angle is the angle between the knife/guards and the ground, and is adjustable to accommodate crop conditions and/or soil types.

The angle is displayed as a value from 0 (shallow) to 10 (steep) on the windrower cab display module (CDM).

Knife Speed

The knife speed is displayed on the windrower CDM in strokes per minute (spm), and is adjustable with the controls in the windrower cab.

High – Upper part of range

Medium – Middle of range

Low – Lower part of range

Header Size Meters (Feet)	Recommended Knife Speed Range (spm)	
	Single Knife	Double Knife
D215	---	1400–1800
D220	1200–1400	1400–1800
D225	1200–1400	1400–1800
D230	1200–1500	1200–1800
D235	1200–1400	1200–1700
D241	---	1200–1600

Reel Speed

Reel speed is displayed on the CDM or HPT in mph, km/h, or rpm, and is adjustable with the controls in the windrower cab.

At 0 index, reel turns 1:1 to ground speed.

Positive index is mph above ground speed. +1 index with ground speed at 5 mph, reel turns at 5.5 mph.

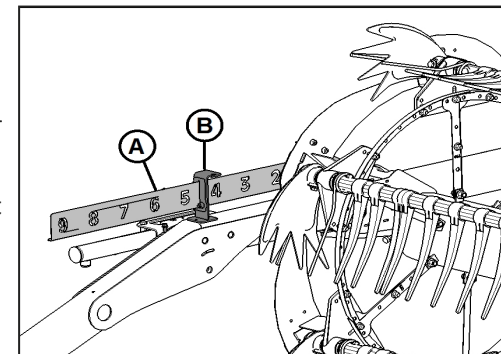
Negative index is mph below ground speed. -0.5 index with ground speed at 5 mph, reel turns at 4.5 mph

Reel Fore-Aft

The reel position indicator (A) is located at the left reel arm. Bracket (B) is the reel fore-aft position marker.

Adjust the fore-aft position with the fore-aft controls in the windrower cab.

The standard or normal position in standing crop is setting 5.



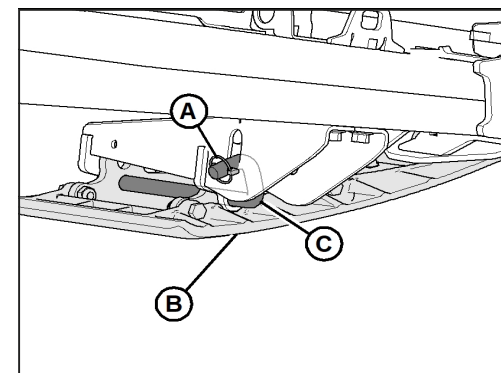
Skid Shoes

Remove lynch pin (A), disengage pin (C) from the frame, and move skid shoe (B) to the desired position.

There are three hole positions: top, middle, and bottom.

For a lower cutting level, raise the skid shoe by installing pin (C) in the bottom hole.

For a higher cutting level, lower the skid shoe by installing pin (C) in the top hole.



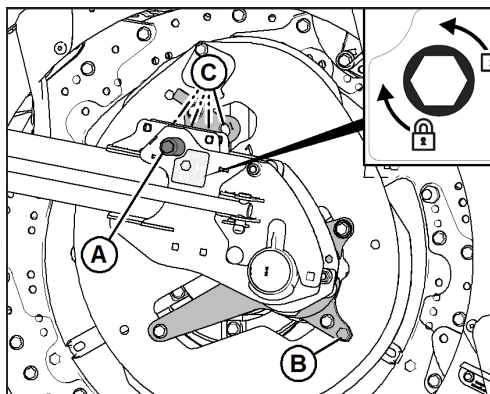
Reel Tine Pitch

Turn cam latch pin (A) to unlock the cam disc. Use a wrench on bolt (B) until the latch pin lines up with appropriate cam setting (C) between 1 and 4.

Increasing the cam setting keeps the fingers engaged longer to improve delivery to the drapers in downed crop.

Cam setting 2 is ideal for standing crop.

Higher tine pitch is required when the reel is positioned farther fore.



Draper Speed

The draper speed is set based on ground speed, crop mass, volume, and windrow formation. Faster ground speed or heavier crops require increased draper speed to convey material. Slower ground speed or lighter crops require slower draper speed to ensure even crop flow. Refer to the windrower operator's manual for more information.

Recommended Settings Guide – Adjust to crop and field conditions as needed.

Crop Type	Stubble Height	Crop Condition	Divider Rods	Header Angle	Knife Speed	Reel Tine Pitch	Reel Speed	Reel Fore-Aft	Skid Shoe Position	Stabilizer Wheels	Upper Cross Augers	Float
Cereals	<102 mm (<4 in.)	Light	On	0-3	Medium	2	-0.5 to +1.5	6 or 7	Up or Center	Variable	Not Required	311 N (70 lbf)
		Normal			High		-0.5 to +1					
		Heavy		4-7	3	-1 to +1	4 or 5					
		Lodged										
	102-203 mm (4-8 in.)	Light	On	0-3	Medium	2	-0.5 to +1.5	6 or 7	Center or Down			
		Normal			High		-0.5 to +1		Down			
		Heavy		4-7	3	-1 to +1	4 or 5					
		Lodged										
	>203 mm (>8 in.)	Light	On	0-3	Medium	2	-0.5 to +1.5	6 or 7	Not Applicable	Storage	Not Required	667 N (150 lbf)
		Normal			High		-0.5 to +1					
		Heavy		4-7	3	-1 to +1	4 or 5					
		Lodged										
Canola	102-203 mm (4-8 in.)	Light	On	8-10	Low	2	-1 to +1	6 or 7	Variable	Variable	Recommended	311-445 N (70-100 lbf)
		Normal			Medium	1	-0.5 to +1		Center or Down			
		Heavy			2	-1 to +1	3 or 4	Variable				
		Lodged						Center or Down				
	>203m m (>8 in.)	Light	On	8-10	Low	4	-1 to +1	6 or 7	Not Applicable	Storage	Recommended	667 N (150 lbf)
		Normal			Medium	2	-0.5 to +1					
		Heavy			3	-1 to +1	3 or 4					
		Lodged										
Flax	51-153 mm (2-6 in.)	Light	On	4-7	High	2	-1 to +1	6 or 7	Center or Down	Variable	Not Required	311-445 N (70-100 lbf)
		Normal		0-3			-0.5 to +1					
		Heavy		4-7								
		Lodged		8-10								
Edible Beans	Ground level (0 in.)	Light	Off	8-10	Medium	2	-1 to +1	3 or 4	Up or Center	Storage	Not Required	445 N (100 lbf)
		Normal										
		Heavy										
		Lodged										
Grass	Ground level (0 in.)	Light	On	Variable	High	2	-0.5 to +1	6 or 7	Up or Center	Storage	Not Required	311-445 N (70-100 lbf)
		Normal										
		Heavy										
		Lodged					-0.5 to +1.5					
Alfalfa	Ground level (0 in.)	Light	On	Variable	High	3	-0.5 to +1	6 or 7	Up or Center	Storage	Not Required	311-445 N (70-100 lbf)
		Normal				2						
		Heavy				3	-0.5 to +1.5					
		Lodged										

Subject to change without notice