

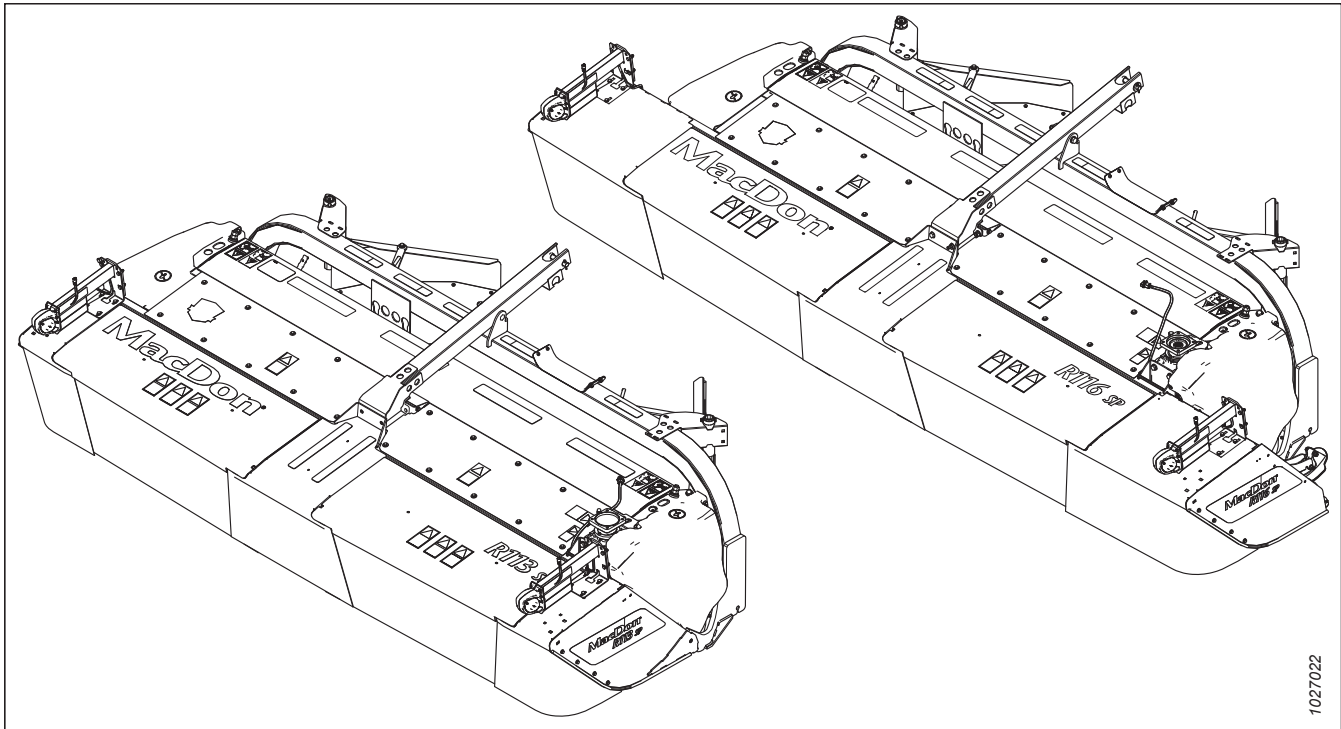
R113 and R116 Rotary Disc Headers

Parts Catalog

262010 Revision A

Original Instruction

R113 and R116 Rotary Disc Headers



Published: December 2022

NOTE:

Keep your MacDon publications up-to-date. The most current version can be downloaded from our website (www.macdon.com) or from our Dealer-only site (<https://portal.macdon.com>) (login required).

© 2022 MacDon Industries, Ltd.

The information in this publication is based on the information available and in effect at the time of printing. MacDon Industries, Ltd. makes no representation or warranty of any kind, whether expressed or implied, with respect to the information in this publication. MacDon Industries, Ltd. reserves the right to make changes at any time without notice.

Introduction

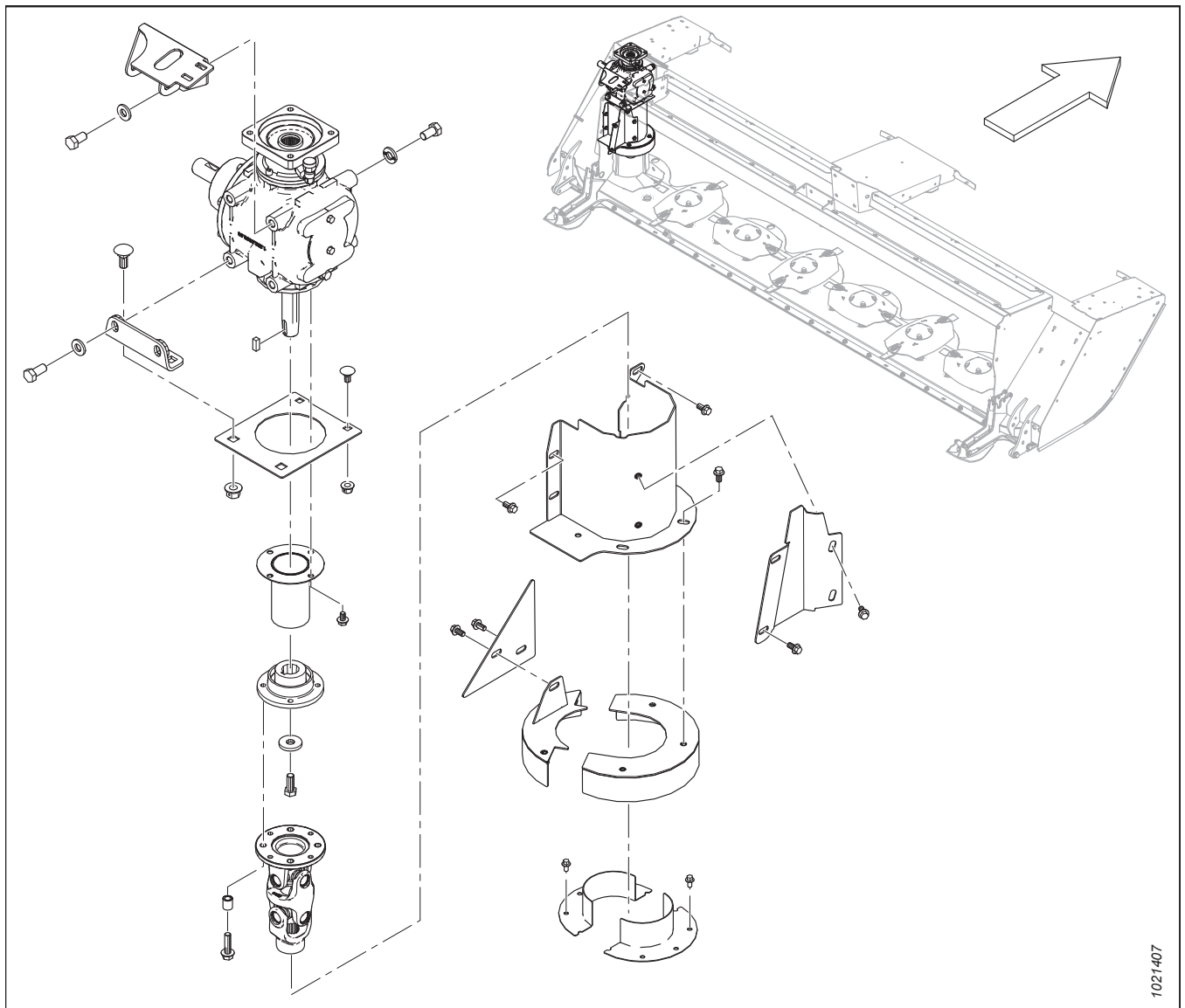
This Parts Catalog lists all the replacement parts that can be ordered for MacDon R113 and R116 Rotary Disc Headers.

When ordering, be sure to use the complete and proper part number. Some parts vary with header size; be sure you are ordering the correct part number for your unit.

Bold text is used to indicate updates made at the current revision level. With each new revision of the catalog, previous revisions are returned to regular text.

Electrical connectors used on MacDon products are available for sale but not listed in this catalog. For the list of available connectors, refer to the Electrical Connectors Parts Catalog (169641).

In this catalog, right-hand (RH) and left-hand (LH) are determined from the operator's seated driving position in the windrower cab. An arrow is sometimes used in illustrations to indicate forward position as shown below.



1021407

Abbreviations

A/R – as required (quantity varies)	ASSY – assembly	BHRN – button head rib neck
BV – ball valve	CCW – counterclockwise	CON – conical (spring washer)
CSK – countersink	C/W – complete with	CW – clockwise
DBLE – double	DK – double knife	DR – double reel
DT – distorted thread	FLG – flange	GA – gauge
GR – grade	GS – grass seed	HD – head
HDR – header	HFA – hydraulic fore-aft	HH – hex head
HNBR – hydrogenated nitrile butadiene rubber	HYD – hydraulic	I.D. – inside diameter
IP – internal plus (torx plus)	KP – knife pressure	KR – knife return
LG – long	LH – left hand (determined from Operator's position, facing forward)	LK – lock
MACH – machine	MD – MacDon	MFA – manual fore-aft
MY – model year	NC – national coarse thread	NF – national fine thread
NSS – not sold separately	NT – narrow transport	O.D. – outside diameter
OPT – optional	PO – pilot operated	PT – pull-type (mower conditioner)
RC – roller chain	REF – reference, part number called up elsewhere in catalog	REG – regular
RH – right hand (determined from Operator's position, facing forward)	RHSN – round head, square neck or square neck carriage bolt	RHSSN – round head, short, square neck
RTD – rotating tine drum	SAE – Society of Automotive Engineers (part produced to comply with)	SD – side draper
SER – serrated	SK – single knife	SKT HD – socket head
SMTH – smooth	SMV – slow moving vehicle	SOCK – socket
SP – self-propelled (windrower) header	SPCL – special	SPH – spherical
SPI – serrations per inch (knife Sections)	SR – single reel	STL – steel (stainless)
STR – standard	STVR – Stover	TFL – thread full length
THD – thread	TR – triple reel	UCA – upper cross auger
UDK – untimed double knife	UNC – unified coarse thread	UNEF – unified extra fine thread
UNF – unified fine thread	UNS – unified special thread series	VK – vertical knife
WF – wide frame	ZP – zinc plated	

Serial Number Breaks

The side of the serial number on which the dash (–) appears determines whether the part is used "up to" or "after" the serial number given.

Example:

- –451189 Used on machines up to and including serial number 451189
- 451190– Used on machines including and after serial number 451190

Summary of Changes – R1 SP Series (262010 Rev. A)

This list covers changes made since the last revision (215621 Rev. A).

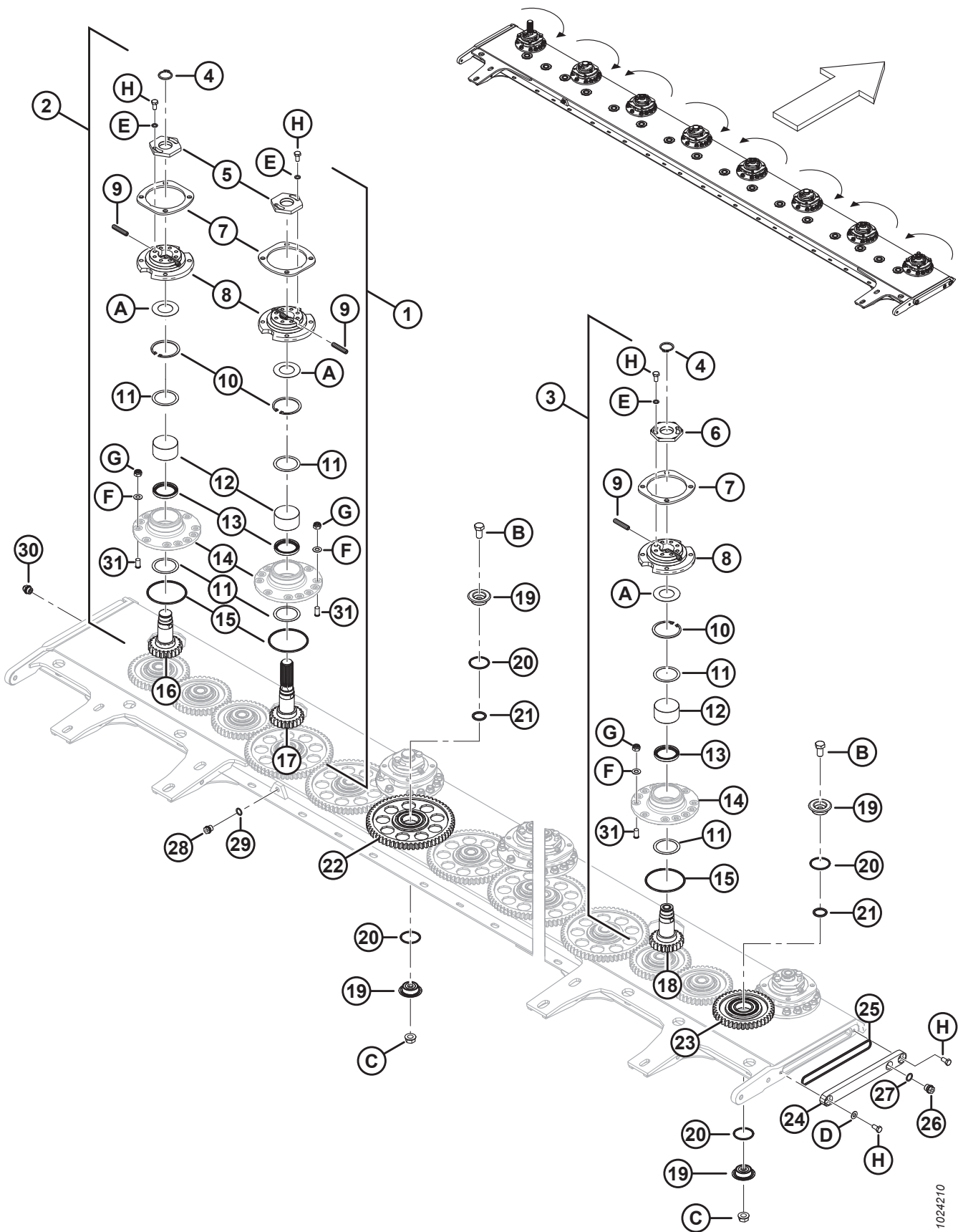
Section	Summary of Change	Internal Use Only
<ul style="list-style-type: none"> • <i>1 Cutterbar – R113, page 1</i> • <i>2 Cutterbar – R116, page 5</i> 	Spindles MD #246293 and MD #246294 superseded by MD #359026 and MD #359027.	ECN 62522 ECN 62641
<ul style="list-style-type: none"> • <i>3 Cutterbar Components – R113, 2017, page 9</i> 	<ul style="list-style-type: none"> • Disc hardware guard MD #247940 superseded by MD #238227. • Added accelerator bolt MD #281605. • Added footnotes. 	ECN 62355
<ul style="list-style-type: none"> • <i>3 Cutterbar Components – R113, 2017, page 9</i> • <i>4 Cutterbar Components – R113, 2018 and Later, page 11</i> • <i>5 Cutterbar Components – R116, page 15</i> 	Added rockguard MD #359024.	ECN 63622
<ul style="list-style-type: none"> • <i>4 Cutterbar Components – R113, 2018 and Later, page 11</i> • <i>5 Cutterbar Components – R116, page 15</i> • <i>30 (Option) R1 Service Kit, page 77</i> 	<ul style="list-style-type: none"> • Disc hardware guard MD #247940 superseded by MD #238227. • Added accelerator bolt MD #281965. • Added footnotes. 	ECN 62355
<ul style="list-style-type: none"> • <i>5 Cutterbar Components – R116, page 15</i> 	Added footnote to cutterbar kit MD #238195 that lists the additional small drum shielding parts required if replacing a cutterbar that currently has large drums installed.	Product Support
<ul style="list-style-type: none"> • <i>6 Cutterbar to Frame – R113, page 19</i> 	Added new disc timing tools MD # 239049 and MD # 338995, and washer MD #184709, bolt MD #197171, and nut MD #135337. Replaced image 1036680 with 1040321.	ECN 63134
<ul style="list-style-type: none"> • <i>7 Cutterbar to Frame – R116, page 21</i> 	Added new disc timing tools MD # 239049 and MD # 338995, and washer MD #184709, bolt MD #197171, and nut MD #135337. Replaced image 1036681 with 1040331.	ECN 63134
<ul style="list-style-type: none"> • <i>22 Hydraulic Drive – R113 and R116 to M1170, page 57</i> 	Added footnote to motor MD #198610 to clarify that kit MD #257149 is required if replacing the superseded Parker motor MD #194100.	Parts
<ul style="list-style-type: none"> • <i>22 Hydraulic Drive – R113 and R116 to M1170, page 57</i> 	Replaced 1/2 in. clamp MD #135818 with 3/4 in. clamp MD #135709. Added serial numbers.	ECN 62710
<ul style="list-style-type: none"> • <i>22 Hydraulic Drive – R113 and R116 to M1170, page 57</i> 	Added description to MD #198610 for clarity.	Parts

Section	Summary of Change	Internal Use Only
<i>23 Hydraulic Drive – R113 and R116 to M155E4, page 61</i>	Added footnote to O-ring MD #257150.	Product Support
<i>23 Hydraulic Drive – R113 and R116 to M155E4, page 61</i>	Added the following: <ul style="list-style-type: none"> • Double lip seal MD #257061. • Serial number breaks on MD #257061 and MD #257150. • Added footnote to MD #257061. 	Parts

TABLE OF CONTENTS

Introduction	i
Abbreviations.....	ii
Serial Number Breaks	iii
Summary of Changes – R1 SP Series (262010 Rev. A).....	iv
1 Cutterbar – R113	1
2 Cutterbar – R116	5
3 Cutterbar Components – R113, 2017	9
4 Cutterbar Components – R113, 2018 and Later	11
5 Cutterbar Components – R116.....	15
6 Cutterbar to Frame – R113.....	19
7 Cutterbar to Frame – R116.....	21
8 Mechanical Drives – R113	23
9 Mechanical Drives – R116	25
10 90° Drive Gearbox – Internal Components.....	27
11 Header Shields – R113.....	29
12 Header Shields – R116.....	31
13 Roll Conditioner – Polyurethane/Steel.....	33
14 Roll Conditioner – Gear Drive	37
15 Roll Conditioner – Shields	39
16 Roll Conditioner – Header Attachment.....	43
17 No Conditioner Option – Shields	47
18 Adapter Frame	49
19 Center-Link and Adapter to Header Connections	51
20 Lift Assembly	53
21 Wiring Assembly	55
22 Hydraulic Drive – R113 and R116 to M1170	57
23 Hydraulic Drive – R113 and R116 to M155E4	61
24 Decals – Information and Reflectors	65
25 Decals – Product Identification, R113.....	67
26 Decals – Product Identification, R116.....	69
27 Tool Operated Latches – Export Only	71
28 (Option) Blade Lowering Kit	73
29 (Option) R113 SP to M205 Compatibility Kit	75
30 (Option) R1 Service Kit	77
31 (Option) Tall Crop Dividers	79
Index	82

1 Cutterbar – R113

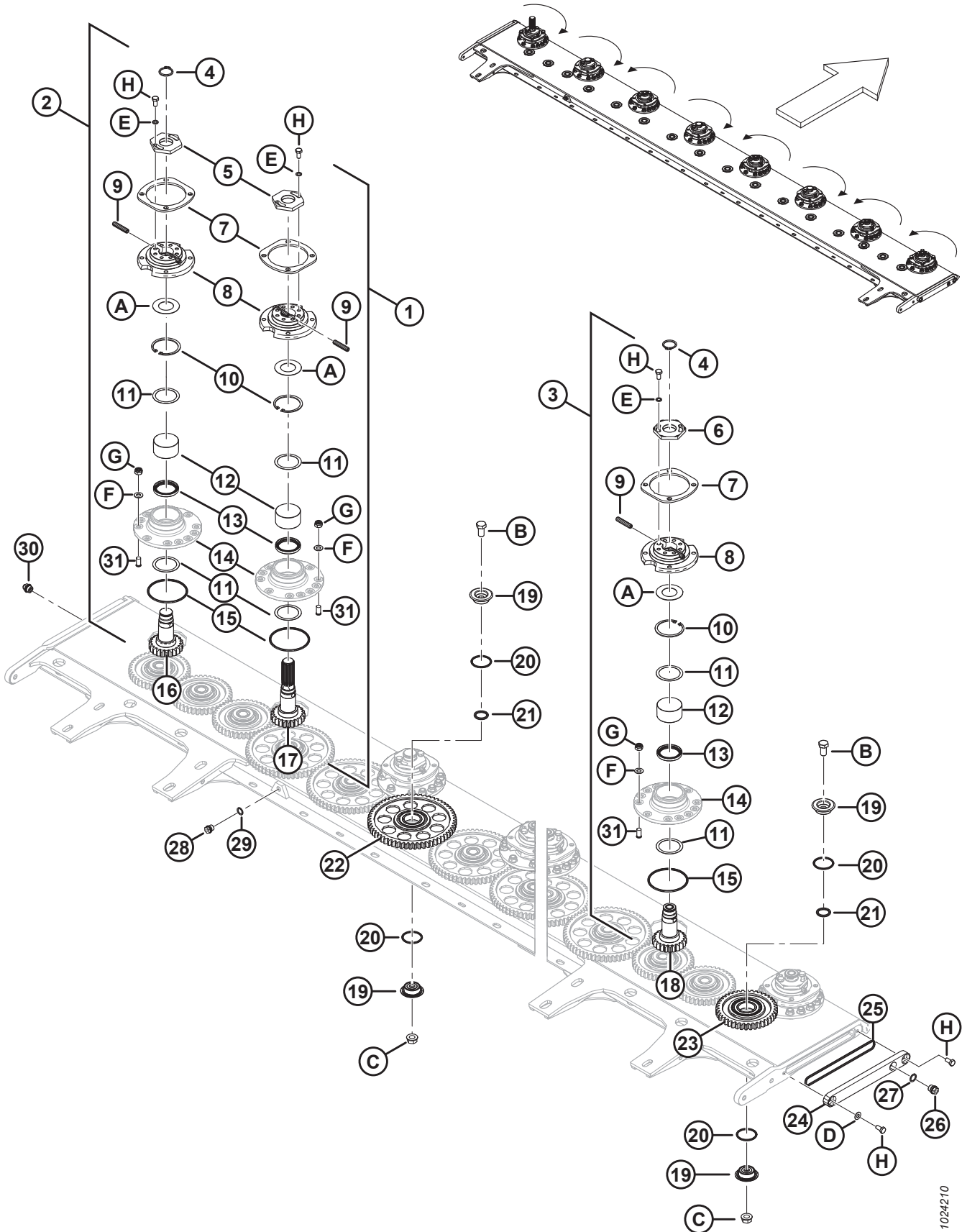


CUTTERBAR – R113

Ref	Part Number	Description	Qty	Serial Number
1	246236	SPINDLE – DRIVE ¹	1	
2	359026	SPINDLE – CLOCKWISE ¹	3	
3	359027	SPINDLE – COUNTER CLOCKWISE ¹	4	
4	259048	RING – RETAINING	7	
5	246612	NUT – SPECIAL (RH THREAD) ²	4	
6	246613	NUT – SPECIAL (LH THREAD) ²	4	
7	247923	PLATE – SPACER	8	285420–
	247616	PLATE – SPACER (2015 ONLY)	8	266820–285419
8	246614	HUB – SPINDLE	8	
9	246295	PIN – SHEAR	16	
10	246617	RING – SNAP	8	
11	247936	SHIM	8	
12	246328	BEARING – TAPER ROLLER	8	
13	247937	SEAL	8	
14	NSS	HOUSING – BEARING ³		
15	246316	O-RING – SPINDLE	8	
16	246623	GEAR – CLOCKWISE (RH THREAD)	3	
17	246622	GEAR – DRIVE, CLOCKWISE (RH THREAD)	1	
18	246624	GEAR – COUNTER CLOCKWISE (LH THREAD)	4	
19	246330	PIN – IDLER GEAR	32	
20	246315	O-RING – IDLER PIN	32	
21	246331	O-RING – IDLER PIN	16	
22	246308	GEAR – IDLER, LARGE, C/W BEARING ⁴	10	
23	246307	GEAR – IDLER, SMALL, C/W BEARING ⁴	6	
24	246309	CUTTERBAR – END CAP	2	–346189
	307175	CUTTERBAR – END CAP	2	346190–
25	247924	O-RING – END PLATE, 170 X 4.5 MM	2	
26	246631	PLUG – SIDE, M18 X 1.5	1	
27	246632	GASKET	1	
28	246627	PLUG	1	
29	246628	GASKET	1	
30	246318	BREATHER – CUTTERBAR	1	
31	246991	STUD – M12 X 25	88	
A	246615	WASHER – SPECIAL, BELLEVILLE		
B	246310	BOLT – M16, IDLER PIN		
C	246311	NUT – IDLER PIN		
D	246313	WASHER – END CAP		–346189
	238016	WASHER – END CAP		346190–

- Does not include spacer plate (MD #247616 or 247923), spindle O-ring (MD #246316), stud (MD #246991), or hardware F, G (MD #246630, 246332).
- Wrench (MD #246314) is attached to header, and is used to loosen/tighten nut. For location of wrench, refer to [Section 6 Cutterbar to Frame – R113, page 19](#).
- Not sold separately. Comes included with spindles (MD #246236, 359026, and 359027).
- Includes bearing and snap ring. Bearing and snap ring not sold separately.

CUTTERBAR – R113

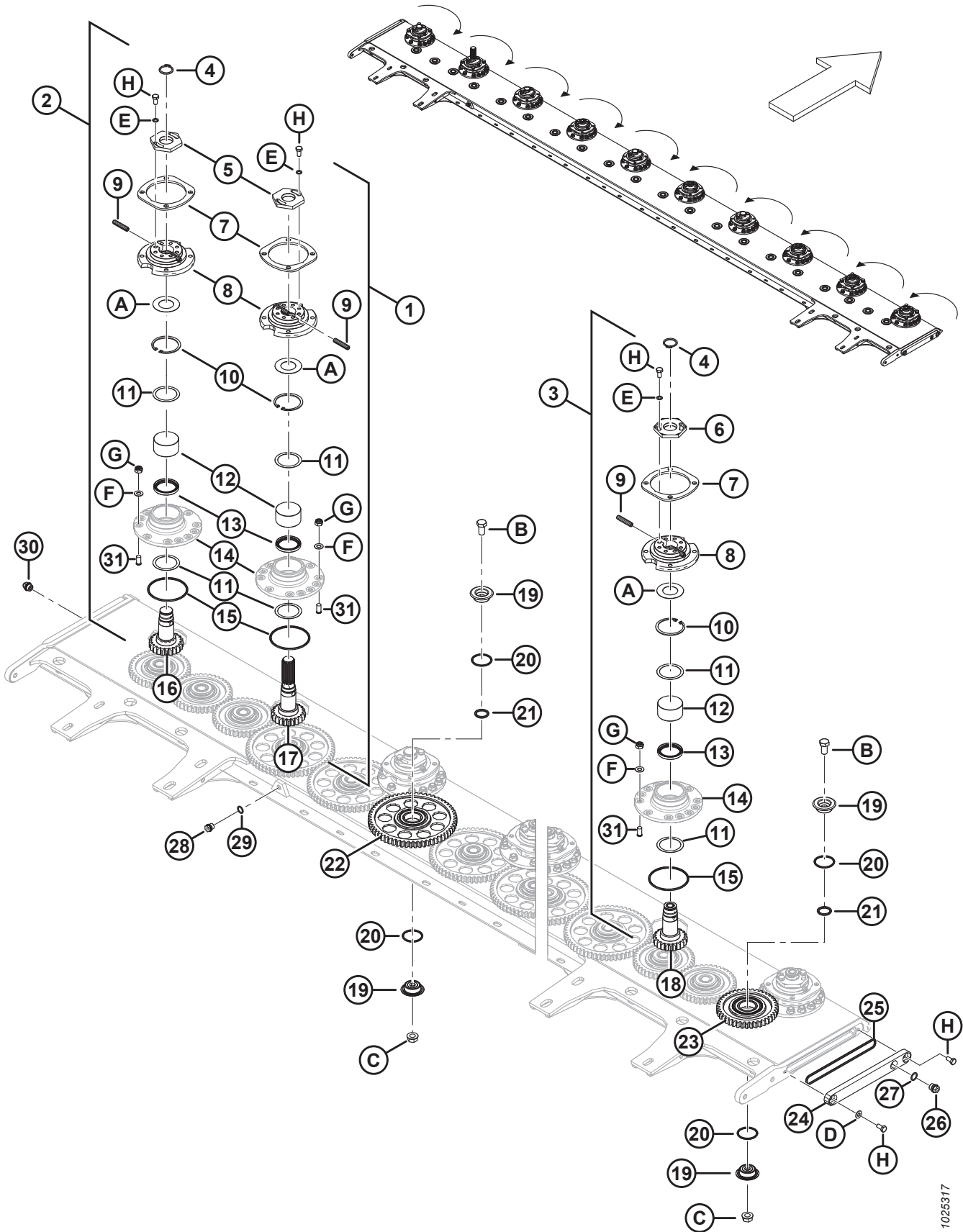


1024210

CUTTERBAR – R113

Ref	Part Number	Description	Qty	Serial Number
E	246625	WASHER – SPECIAL		
F	246630	WASHER – SPECIAL		
G	246332	NUT – M12, LOCKING		
H	246872	BOLT – M10, SPECIAL		-346189
	238015	BOLT – M12, SPECIAL		346190-

2 Cutterbar – R116

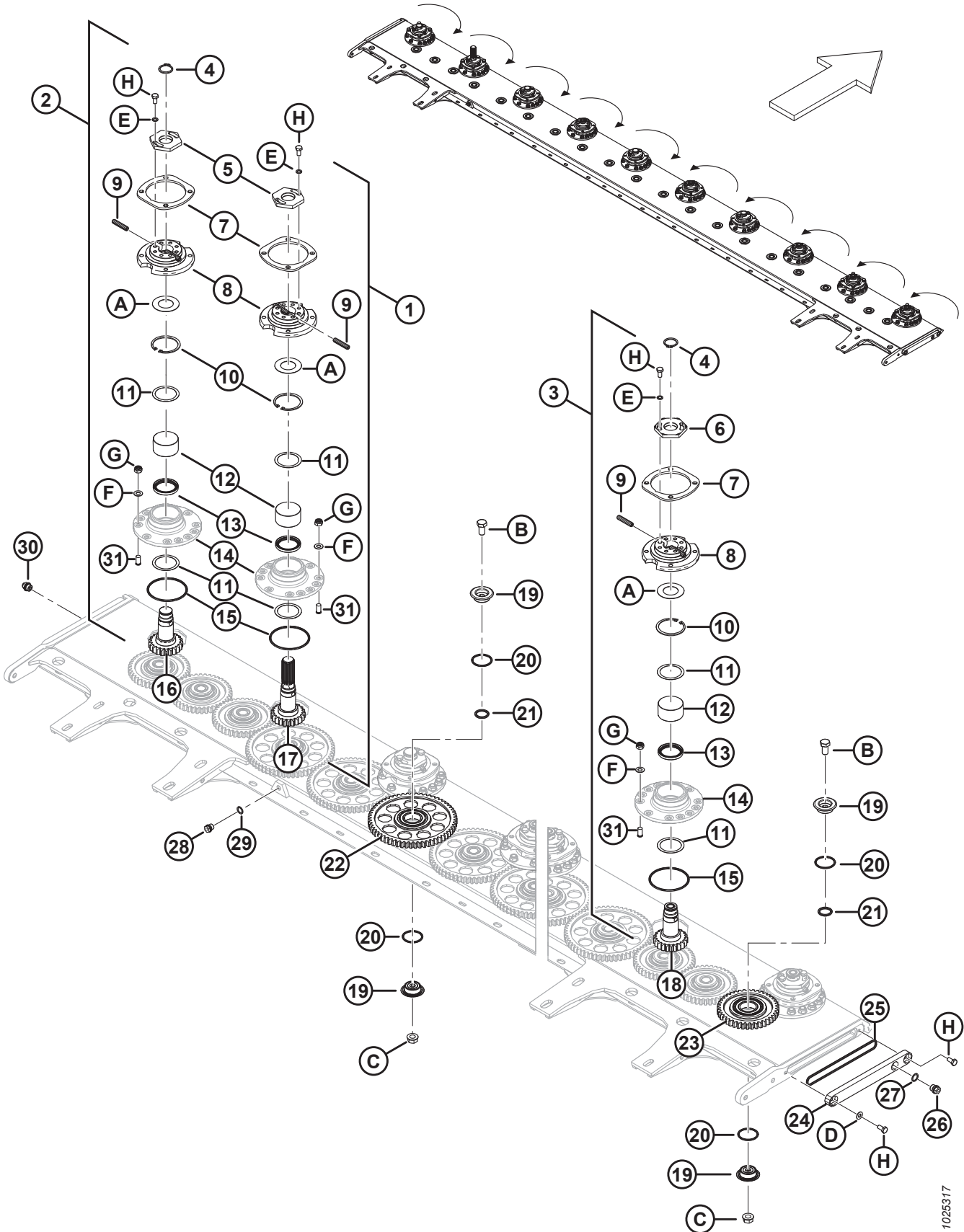


CUTTERBAR – R116

Ref	Part Number	Description	Qty	Serial Number
1	246236	SPINDLE – DRIVE ⁵	1	
2	359026	SPINDLE – CLOCKWISE ⁵	4	
3	359027	SPINDLE – COUNTER CLOCKWISE ⁵	5	
4	259048	RING – RETAINING	9	
5	246612	NUT – SPECIAL (RH THREAD) ⁶	5	
6	246613	NUT – SPECIAL (LH THREAD) ⁶	5	
7	247923	PLATE – SPACER	10	285420–
	247616	PLATE – SPACER (2015 ONLY)	10	266820–285419
8	246614	HUB – SPINDLE	10	
9	246295	PIN – SHEAR	20	
10	246617	RING – SNAP	10	
11	247936	SHIM	10	
12	246328	BEARING – TAPER ROLLER	10	
13	247937	SEAL	10	
14	NSS	HOUSING – BEARING ⁷		
15	246316	O-RING – SPINDLE	10	
16	246623	GEAR – CLOCKWISE (RH THREAD)	4	
17	246622	GEAR – DRIVE, CLOCKWISE (RH THREAD)	1	
18	246624	GEAR – COUNTER CLOCKWISE (LH THREAD)	5	
19	246330	PIN – IDLER GEAR	40	
20	246315	O-RING – IDLER PIN	40	
21	246331	O-RING – IDLER PIN	20	
22	246308	GEAR – IDLER, LARGE, C/W BEARING ⁸	14	
23	246307	GEAR – IDLER, SMALL, C/W BEARING ⁸	6	
24	246309	CUTTERBAR – END CAP	2	–346189
	307175	CUTTERBAR – END CAP	2	346190–
25	247924	O-RING – END PLATE, 170 X 4.5 MM	2	
26	246631	PLUG – SIDE, M18 X 1.5	1	
27	246632	GASKET	1	
28	246627	PLUG	1	
29	246628	GASKET	1	
30	246318	BREATHER – CUTTERBAR	1	
31	246991	STUD – M12 X 25	110	
A	246615	WASHER – SPECIAL, BELLEVILLE		
B	246310	BOLT – M16, IDLER PIN		
C	246311	NUT – IDLER PIN		
D	246313	WASHER – END CAP		–346189
	238016	WASHER – END CAP		346190–

5. Does not include spacer plate (MD #247616 or 247923), spindle O-ring (MD #246316), stud (MD #246991), or hardware (MD #246630, 246332).
6. Wrench (MD #246314) is attached to header, and is used to loosen/tighten nut. For location of wrench, refer to [Section 7 Cutterbar to Frame – R116, page 21](#).
7. Not sold separately. Comes included with spindles (MD #246236, 359026, and 359027).
8. Includes bearing and snap ring. Bearing and snap ring not sold separately.

CUTTERBAR - R116

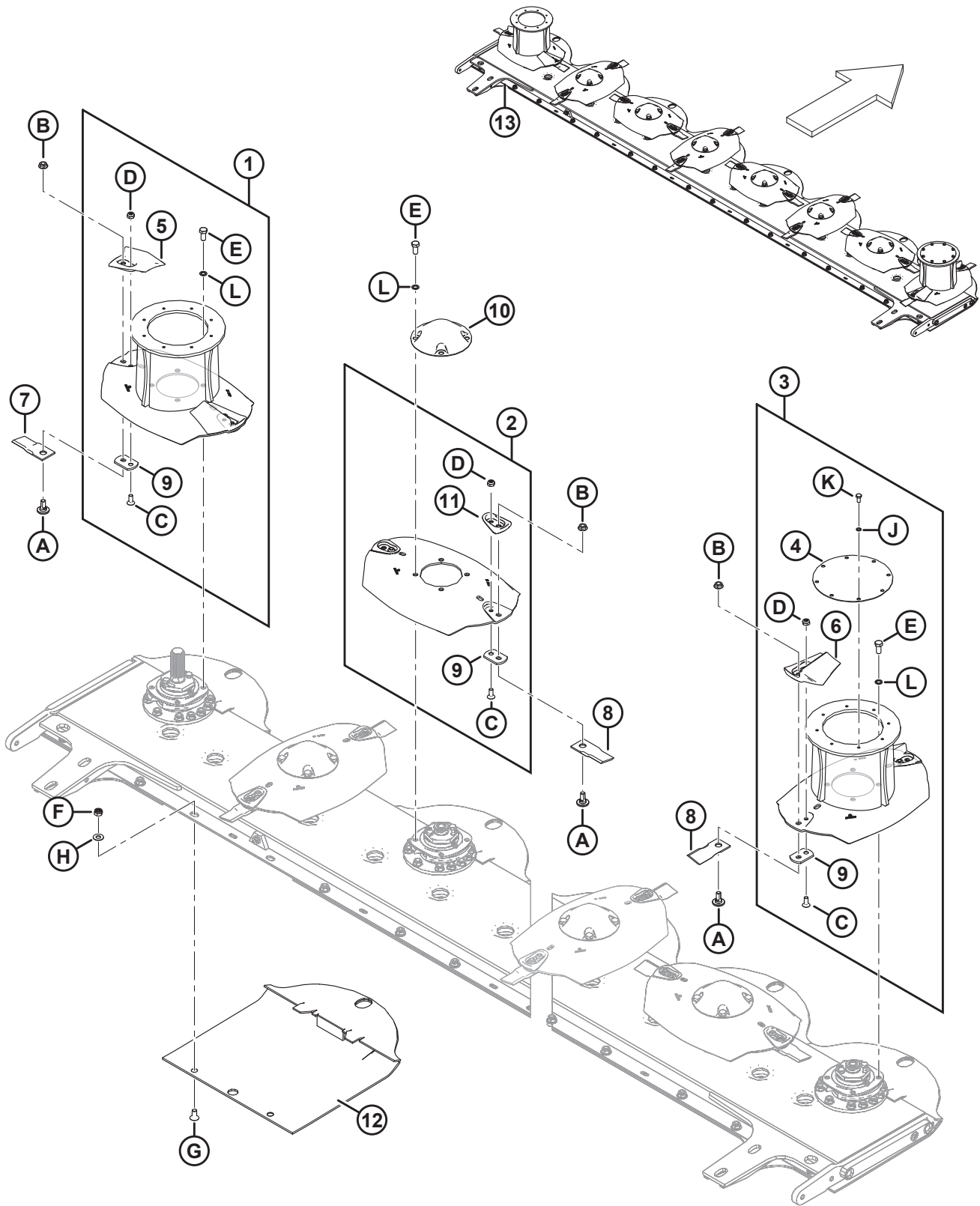


1025317

CUTTERBAR – R116

Ref	Part Number	Description	Qty	Serial Number
E	246625	WASHER – SPECIAL		
F	246630	WASHER – SPECIAL		
G	246332	NUT – M12, LOCKING		
H	246872	BOLT – M10, SPECIAL		-346189
	238015	BOLT – M12, SPECIAL		346190-

3 Cutterbar Components – R113, 2017



CUTTERBAR COMPONENTS – R113, 2017

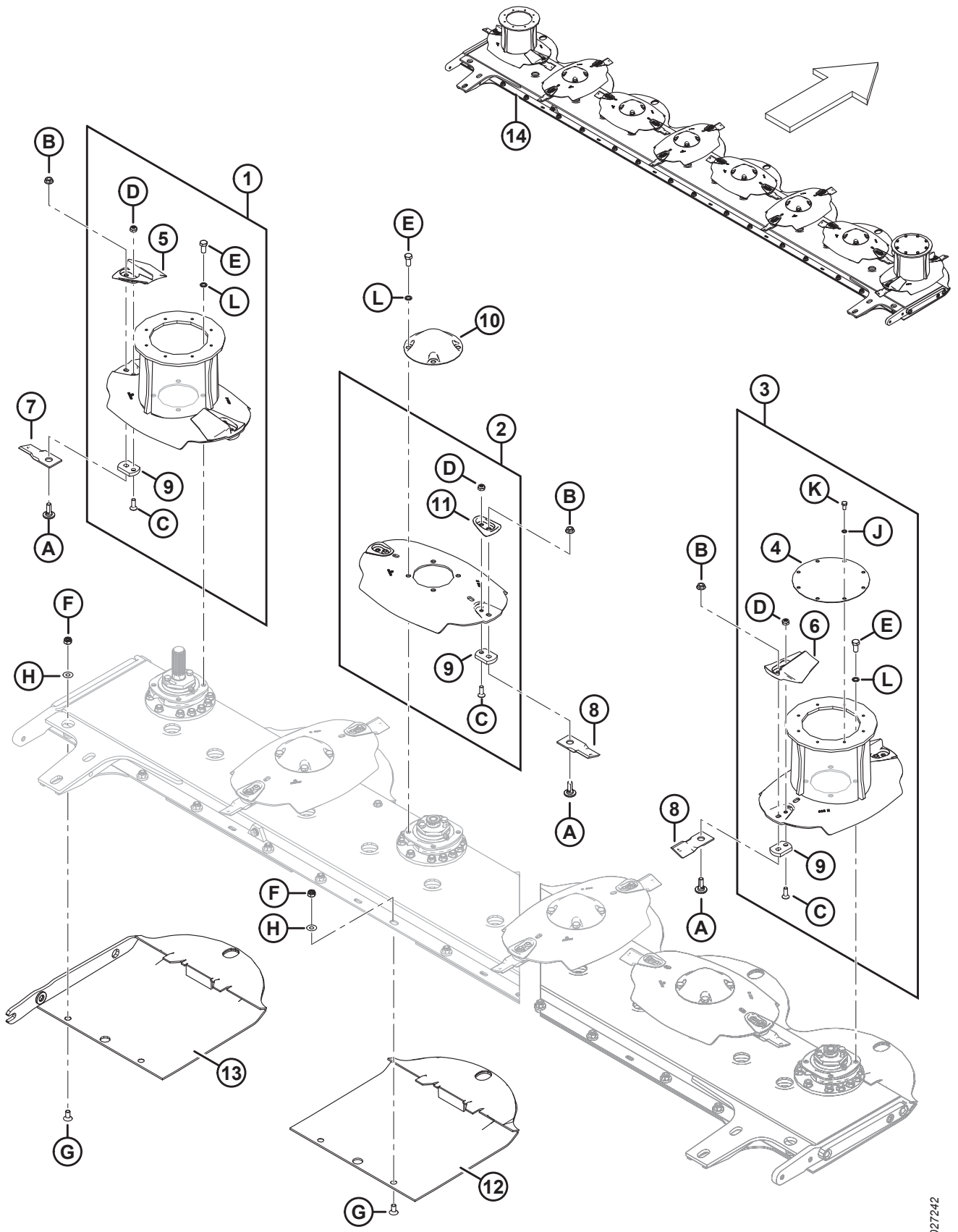
IMPORTANT:

All cutting components, blades, and hardware should be replaced in pairs to maintain balance. Avoid mixing blades from different model years. 5 mm blade plate (MD #246301) requires accelerator bolt (MD #281965) and blade bolt (MD #246299).

Ref	Part Number	Description	Qty	Serial Number
1	247242	ASSEMBLY – CW DRUM, 402 MM (DRIVE) ⁹	1	-321189
2	281753	ASSEMBLY – DISC, 425 MM ¹⁰	6	-321189
3	247243	ASSEMBLY – CCW DRUM, 402 MM ¹⁰	1	-321189
4	246291	PLATE – DRUM COVER	1	-321189
5	281966	ACCELERATOR – CW (PAIR)	1	-321189
6	281967	ACCELERATOR – CCW (PAIR)	1	-321189
7	281446	BLADE – 11° CW BEVEL DOWN (6 PACK) ¹¹	2	-321189
8	281447	BLADE – 11° CCW BEVEL DOWN (6 PACK) ¹¹	2	-321189
9	246301	PLATE – BLADE, 5 MM	16	-321189
10	246305	COVER – DISC	6	-321189
11	238227	KIT – 2 GUARDS CW HARDWARE ¹²	6	
12	281609	ROCKGUARD	8	-321189
	359024	ROCKGUARD (LIGHT CROP – FLAT TOP) ¹³	OPT	
13	259518	KIT – CUTTERBAR 8 DISC ¹⁴	A/R	
A	246299	BOLT – BLADE		
B	246300	NUT – BLADE		
C	281965	BOLT – ACCELERATOR ¹⁵		
	281605	BOLT – ACCELERATOR ¹⁶		
D	246303	NUT – ACCELERATOR		
E	246312	BOLT – M12, DISC COVER		
F	246332	NUT – NYLON INSERT LOCK M12 X 1.75 ZN PL CL-10		
G	259099	BOLT – COUNTERSUNK, M12		
H	259100	WASHER – FLAT, M12		
J	246633	WASHER – SPECIAL, M8		
K	246882	BOLT – M8, SPECIAL		
L	246952	WASHER – M12, LOCKING, DISC		

9. Assembly does not include blades (MD #281446, 281447) or blade hardware (MD #246299, 246300). It does include a top cover plate that will need to be removed before use.
10. Assembly does not include blades (MD #281446, 281447) or blade hardware (MD #246299, 246300).
11. Replacement blades are sold in packages of six. To replace all blades, two packages of each clockwise (CW) and counterclockwise (CCW) blades are required.
12. This kit includes a matched pair of disc guards (NSS), two accelerator bolts (MD #281965) used with 5 mm shims, two accelerator nuts (MD #246303), and two accelerator bolts (MD #281605) used with 10 mm shims.
13. The optional rockguard has a flat top, which improves header performance when cutting in lighter crop.
14. Kit can be used to update or replace a complete 2017 cutterbar (except blades and blade hardware) to current standards. Kit includes reinforced cutterbar endcaps (MD #307175), hardware (MD #238015 and 238016), reinforced rockguards (MD #238031 and 238032), and drive alignment tool (MD #325683).
15. For use with 5 mm shims.
16. For use with 10 mm shims.

4 Cutterbar Components – R113, 2018 and Later



CUTTERBAR COMPONENTS – R113, 2018 AND LATER

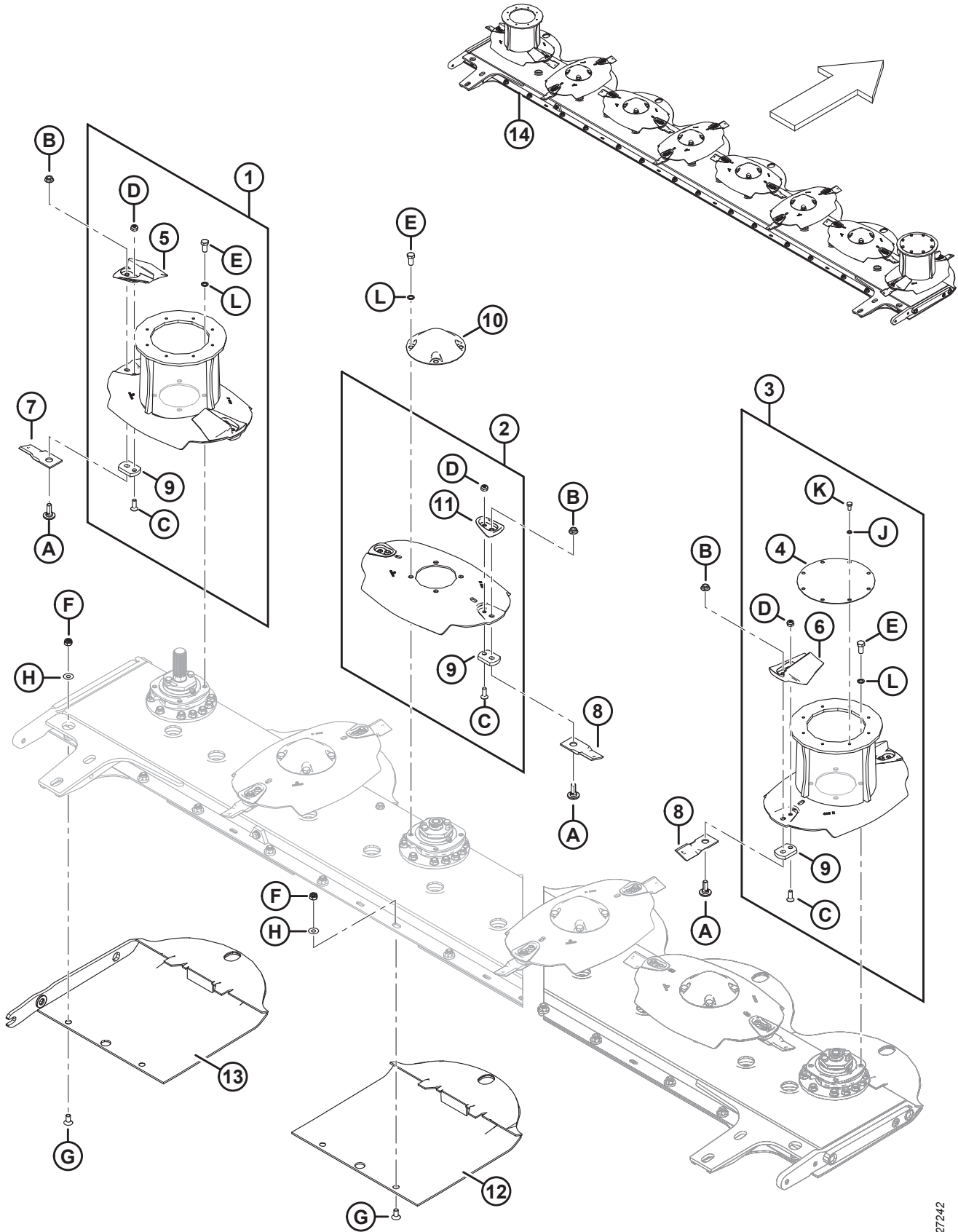
IMPORTANT:

All cutting components, blades, and hardware should be replaced in pairs to maintain balance. Avoid mixing blades from different model years. 10 mm blade plate (MD #281606) requires accelerator bolt (MD #281605) and blade bolt (MD #281604).

Ref	Part Number	Description	Qty	Serial Number
1	281366	ASSEMBLY – CW DRUM, 402 MM (DRIVE) ¹⁷	1	321190–
2	281370	ASSEMBLY – DISC, 425 MM ¹⁸	6	321190–
3	281367	ASSEMBLY – CCW DRUM, 402 MM ¹⁸	1	321190–
4	246291	PLATE – DRUM COVER	1	321190–
5	281966	ACCELERATOR – CW (PAIR)	1	321190–
6	281967	ACCELERATOR – CCW (PAIR)	1	321190–
7	259199	BLADE – 18° CW BEVEL DOWN (6 PACK) ¹⁹	2	321190–
8	259200	BLADE – 18° CCW BEVEL DOWN (6 PACK) ¹⁹	2	321190–
9	281606	PLATE – BLADE, 10 MM	16	321190–
10	246305	COVER – DISC	6	321190–
11	238227	KIT – 2 GUARDS CW HARDWARE ²⁰	6	
12	281609	ROCKGUARD	8	321190–
	359024	ROCKGUARD (LIGHT CROP – FLAT TOP) ²¹	OPT	
13	238031	ROCKGUARD – REINFORCED, LH	1	346190–
	238032	ROCKGUARD – REINFORCED, RH	1	346190–
	238026	KIT – REINFORCED ROCKGUARD ²²	A/R	
14	259518	KIT – CUTTERBAR 8 DISC ²³	A/R	
A	281604	BOLT – BLADE		
B	246300	NUT – BLADE		
C	281605	BOLT – ACCELERATOR ²⁴		
	281965	BOLT – ACCELERATOR ²⁵		
D	246303	NUT – ACCELERATOR		
E	246312	BOLT – M12, DISC COVER		
F	246332	NUT – NYLON INSERT LOCK M12 X 1.75 ZN PL CL-10		

17. Assembly does not include blades (MD #259199, 259200) or blade hardware (MD #281604, 246300). It does include a top cover plate that will need to be removed before use.
18. Assembly does not include blades (MD #259199, 259200) or blade hardware (MD #281604, 246300).
19. Replacement blades are sold in packages of six. To replace all blades, two packages of each clockwise (CW) and counterclockwise (CCW) blades are required.
20. This kit includes a matched pair of disc guards (NSS), two accelerator bolts (MD #281965) used with 5 mm shims, two accelerator nuts (MD #246303), and two accelerator bolts (MD #281605) used with 10 mm shims.
21. The optional rockguard has a flat top, which improves header performance when cutting in lighter crop.
22. Kit includes LH and RH reinforced rockguards (MD #238031 and 238032), lower gearbox mount bracket (MD #238054), and hardware (MD #184681 and 136141). Lower gearbox mount bracket required only on R113 to eliminate interference with conditioner.
23. Kit used to replace or update complete cutterbar except blades and blade hardware. Kit includes reinforced cutterbar endcaps (MD #307175), hardware (MD #238015 and 238016), reinforced rockguards (MD #238031 and 238032), and drive alignment tool (MD #325683).
24. For use with 10 mm shims.
25. For use with 5 mm shims.

CUTTERBAR COMPONENTS – R113, 2018 AND LATER



1027242

CUTTERBAR COMPONENTS – R113, 2018 AND LATER

Ref	Part Number	Description	Qty	Serial Number
G	259099	BOLT – COUNTERSUNK, M12		
H	259100	WASHER – FLAT, M12		
J	246633	WASHER – SPECIAL, M8		
K	246882	BOLT – M8, SPECIAL		
L	246952	WASHER – M12, LOCKING, DISC		

CUTTERBAR COMPONENTS – R116

IMPORTANT:

All cutting components, blades, and hardware should be replaced in pairs to maintain balance. Avoid mixing blades from different model years. 10 mm blade plate (MD #281606) requires accelerator bolt (MD #281605) and blade bolt (MD #281604).

Ref	Part Number	Description	Qty	Serial Number
1	281366	ASSEMBLY – CW DRUM, 402 MM ²⁶	1	
2	257085	ASSEMBLY – CW DRUM, 425 MM DRIVE ²⁶	1	
3	281370	ASSEMBLY – DISC, 425 MM ²⁷	6	
4	257086	ASSEMBLY – CCW DRUM, 425 MM ²⁶	1	
5	281367	ASSEMBLY – CCW DRUM, 402 MM ²⁶	1	
6	246291	PLATE – DRUM COVER	2	
7	280504	PLATE – DRUM COVER	1	
8	281606	PLATE – BLADE, 10 MM	20	
9	246305	COVER – DISC	6	
10	238227	KIT – 2 GUARDS CW HARDWARE ²⁸	6	
11	259199	BLADE – 18° CW BEVEL DOWN (6 PACK) ²⁹	2	
12	259200	BLADE – 18° CCW BEVEL DOWN (6 PACK) ²⁹	2	
13	281966	ACCELERATOR – CW (PAIR)	4	
14	281967	ACCELERATOR – CCW (PAIR)	4	
15	281609	ROCKGUARD	10	
	359024	ROCKGUARD (LIGHT CROP – FLAT TOP) ³⁰	OPT	
16	238031	ROCKGUARD – REINFORCED, LH	1	346190–
	238032	ROCKGUARD – REINFORCED, RH	1	346190–
	238026	KIT – REINFORCED ROCKGUARD ³¹	A/R	
17	238195	KIT – CUTTERBAR 10 DISC ^{32, 33}	A/R	

26. Assembly does not include blades (MD #259199, 259200) or blade hardware (MD #281604, 246300).

27. Assembly does not include blades (MD #259199, 259200), blade hardware (MD #281604, 246300), disc cover (MD #246305), or disc hardware (MD #246312, 246952).

28. This kit includes a matched pair of disc guards (NSS), two accelerator bolts (MD #281965) used with 5 mm shims, two accelerator nuts (MD #246303), and two accelerator bolts (MD #281605) used with 10 mm shims.

29. Replacement blades are sold in packages of six. To replace all blades, two packages of each clockwise (CW) and counterclockwise (CCW) blades are required.

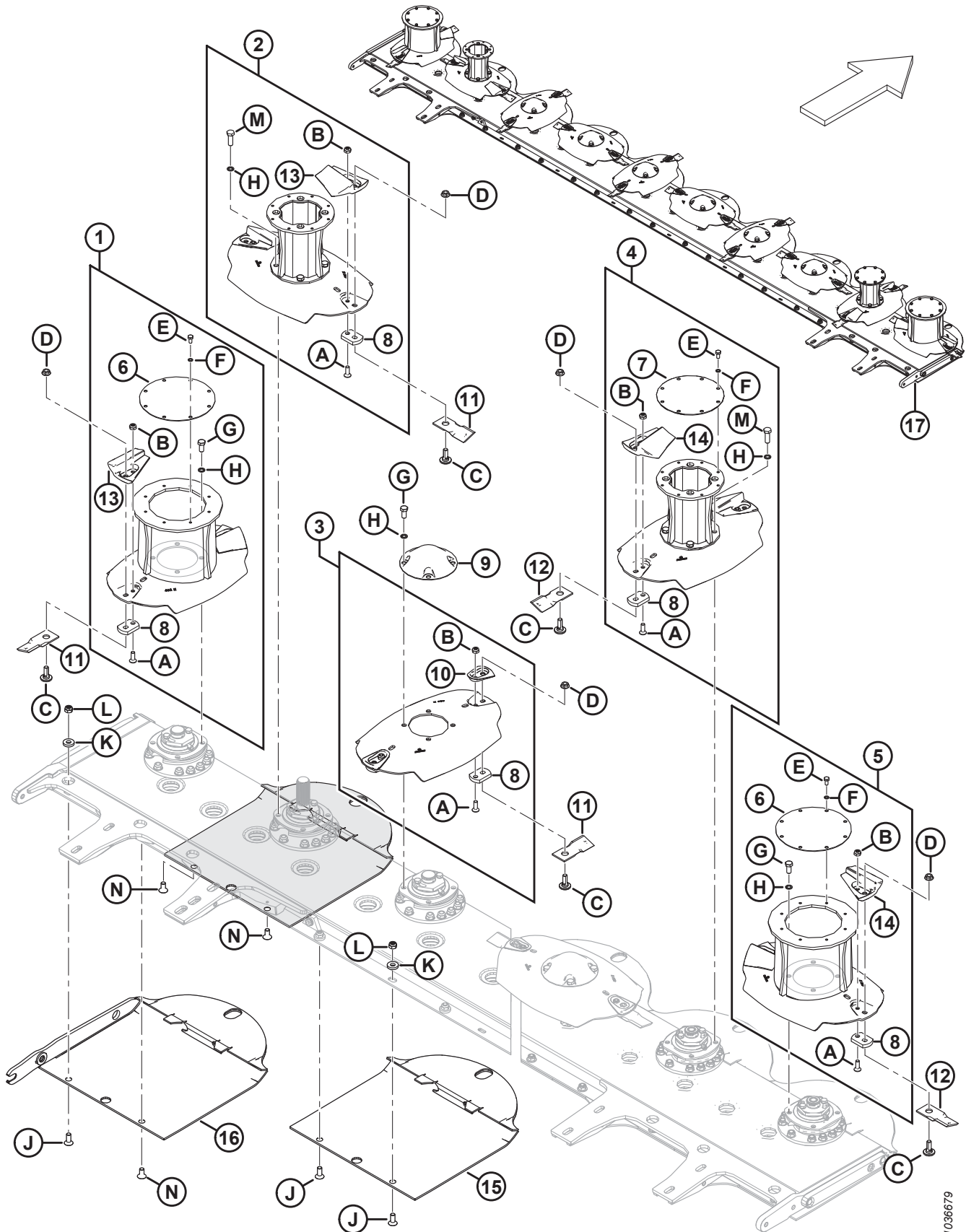
30. The optional rockguard has a flat top, which improves header performance when cutting in lighter crop.

31. Kit includes LH and RH reinforced rockguards (MD #238031 and 238032), lower gearbox mount bracket (MD #238054), and hardware (MD #184681 and 136141). Lower gearbox mount bracket required only on R113 to eliminate interference with conditioner.

32. The 10-disc cutterbar kit has small drums installed. If replacing a cutterbar with large drums currently installed, the following small drum shielding parts are also required: MD #281497 (x2), 281981, 281493, 281500, 281501, and 281489.

33. Kit used to replace or update complete cutterbar except blades and blade hardware. Kit includes reinforced cutterbar endcaps (MD #307175), hardware (MD #238015 and 238016), reinforced rockguards (MD #238031 and 238032), and drive alignment tool (MD #325683).

CUTTERBAR COMPONENTS – R116



1036679

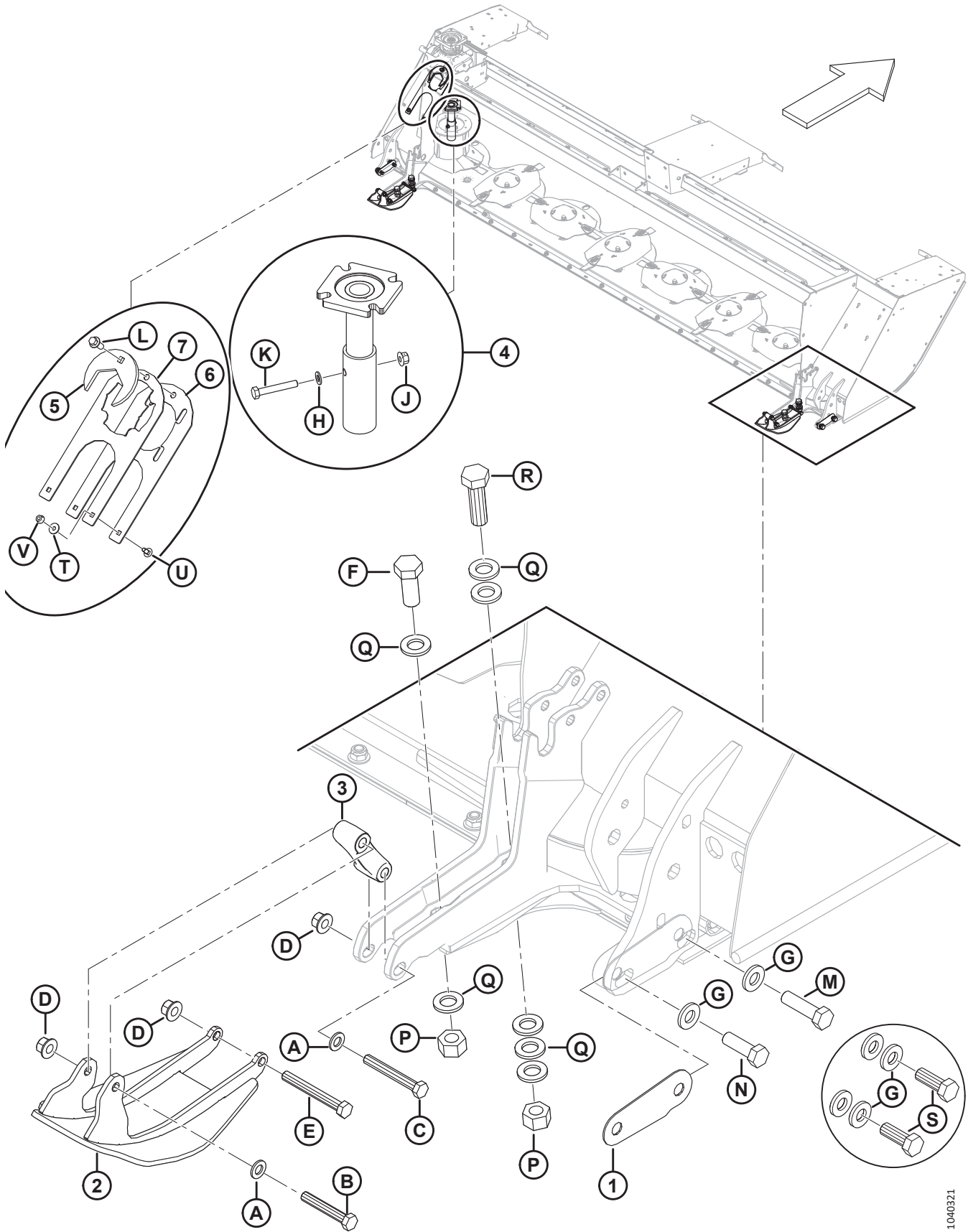
CUTTERBAR COMPONENTS – R116

Ref	Part Number	Description	Qty	Serial Number
A	281605	BOLT – ACCELERATOR ³⁴		
	281965	BOLT – ACCELERATOR ³⁵		
B	246303	NUT – ACCELERATOR		
C	281604	BOLT – BLADE		
D	246300	NUT – BLADE		
E	246882	BOLT – HEX HEAD M8 SPECIAL		
F	246633	WASHER – SPECIAL M8 ZN PL		
G	246312	BOLT – M12 DISC COVER		
H	246952	WASHER – M12 LOCKING DISC		
J	259099	BOLT – COUNTERSUNK, M12		
K	259100	WASHER – FLAT, M12		
L	246332	NUT – NYLON INSERT LOCK M12 X 1.75 ZN PL CL-10		
M	281697	BOLT – M12 DISC		
N	338800	BOLT – FLAT CSK		

34. For use with 10 mm shims.

35. For use with 5 mm shims.

6 Cutterbar to Frame – R113

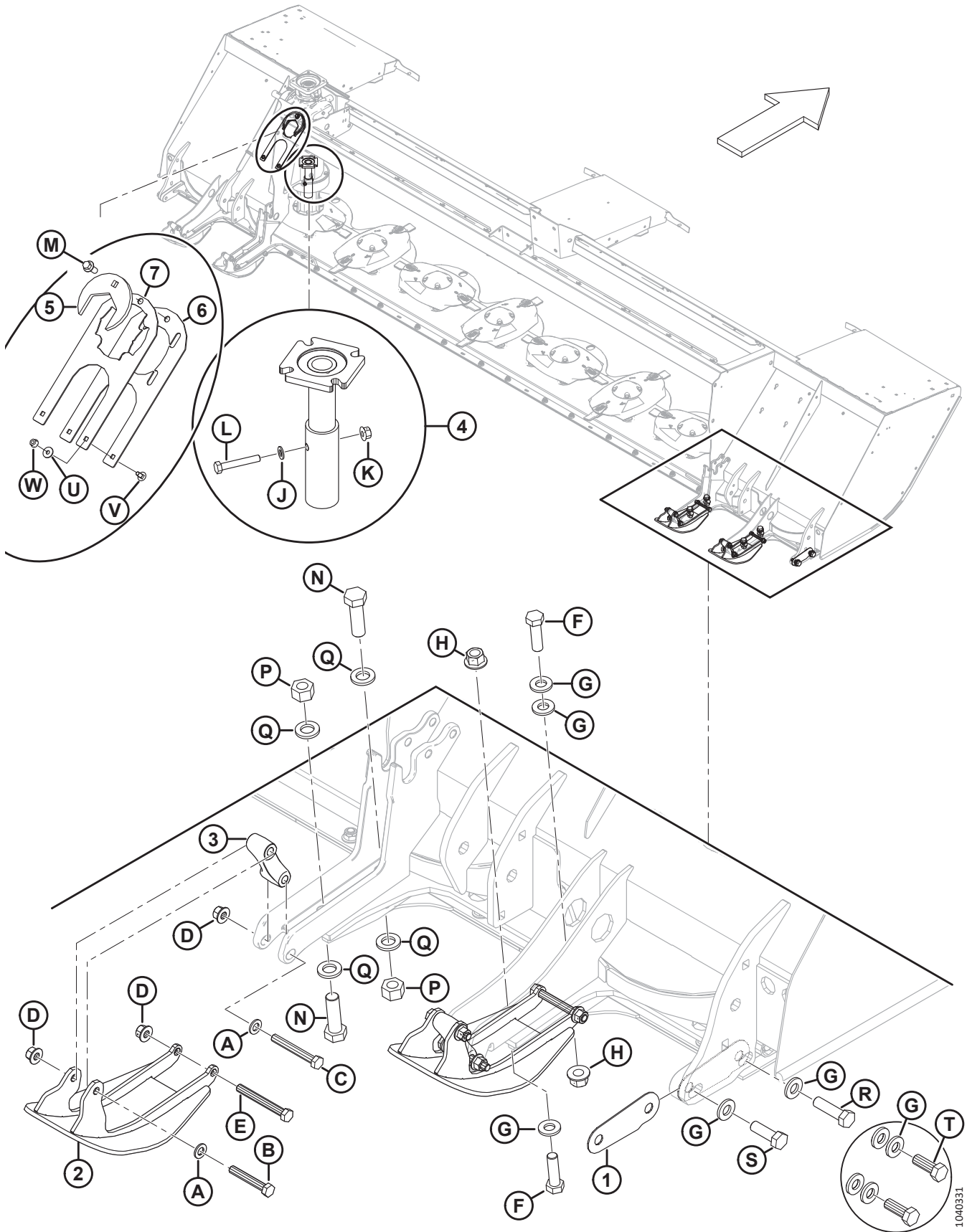


CUTTERBAR TO FRAME – R113

Ref	Part Number	Description	Qty	Serial Number
1	247206	SHIM – CUTTERBAR ³⁶	A/R	
2	257096	SHOE – WELDMENT	2	
3	238147	LINK – CAST	2	
4	325683	ASSEMBLY – TOOL, DRIVE ALIGNMENT ³⁷	A/R	
5	246314	WRENCH – SAFECUT NUT ³⁸	1	
6	239049	TOOL – DISC TIMING 1	1	
7	338995	TOOL – DISC TIMING 2	1	
A	184714	WASHER – FLAT REG M12-300HV-A3L		
B	135155	BOLT – HEX HD M12 X 1.75 X 75-8.8-A3L		
C	184673	BOLT – HEX HD M12 X 1.75 X 90-10.9-A3L		
D	136431	NUT – HEX FLG CTR LOC M12 X 1.75-10-A3L		
E	184672	BOLT – HEX HD M12 X 1.75 X 100-10.9-A3L		
F	136082	BOLT – HEX HD TFL M20 X 2.5 X 50-8.8-AA3L		
G	320226	WASHER – HARD M16-300HV-ZINC ³⁹		
H	184711	WASHER – FLAT REG M10-200HV-A3L		
J	135799	NUT – HEX FLG CTR LOC M10 X 1.5-10-A3L		
K	108172	BOLT – HEX HD M10 X 1.5 X 65-8.8-A3L		
L	148798	BOLT – HEX FLG HD M12 X 1.75 X 30-10.9-A3L		
M	136141	BOLT – HEX HD M16 X 2 X 60-8.8-AA1J ⁴⁰		346190–
N	184681	BOLT – HEX HD M16 X 2 X 50-8.8-AA1J ⁴⁰		346190–
P	136124	NUT – HEX M20 X 2.5-10-A3L		
Q	320225	WASHER – HARD M20-300HV-ZINC		
R	136157	BOLT – HEX HD M20 X 2.5 X 65-10.9-A3L		
S	136132	BOLT – HEX HD TFL M16 X 2 X 45-8.8-A3L ⁴¹		–346189
T	184709	WASHER – FLAT LARGE M8-200HV		
U	197171	BOLT – RHSN M8 X 1.25 X 20-8.8 ZINC		
V	135337	NUT – HEX FLG CTR LK M8 X 1.25-8-AA1J		

36. Shim both sides of the header evenly as required to a maximum gap of 2 mm per side before tightening bolts.
37. Use drive alignment tool to achieve proper alignment (+/- 3.2 mm or 1/8 in.) between 90° drive gearbox hub and cutterbar driveshaft. Tool not supplied with header; includes hardware (MD #184711, 135799, and 108172).
38. Wrench is attached to header. Used to loosen/tighten special nuts (MD #246612 and 246613). Refer to Section 1 [Cutterbar – R113, page 1](#).
39. If reinforced outboard rock guards (MD #238031 and 238032) are installed, use one washer per bolt at the ends of the cutterbar. If reinforced outboard rock guards are not installed, use two washers per bolt.
40. Used on model year 2019 and later headers, and model year 2018 and prior headers that have the Reinforced Rock Guard kit (MD #238026) installed.
41. Used on model year 2018 and prior headers without the Reinforced Rock Guard kit (MD #238026) installed.

7 Cutterbar to Frame – R116

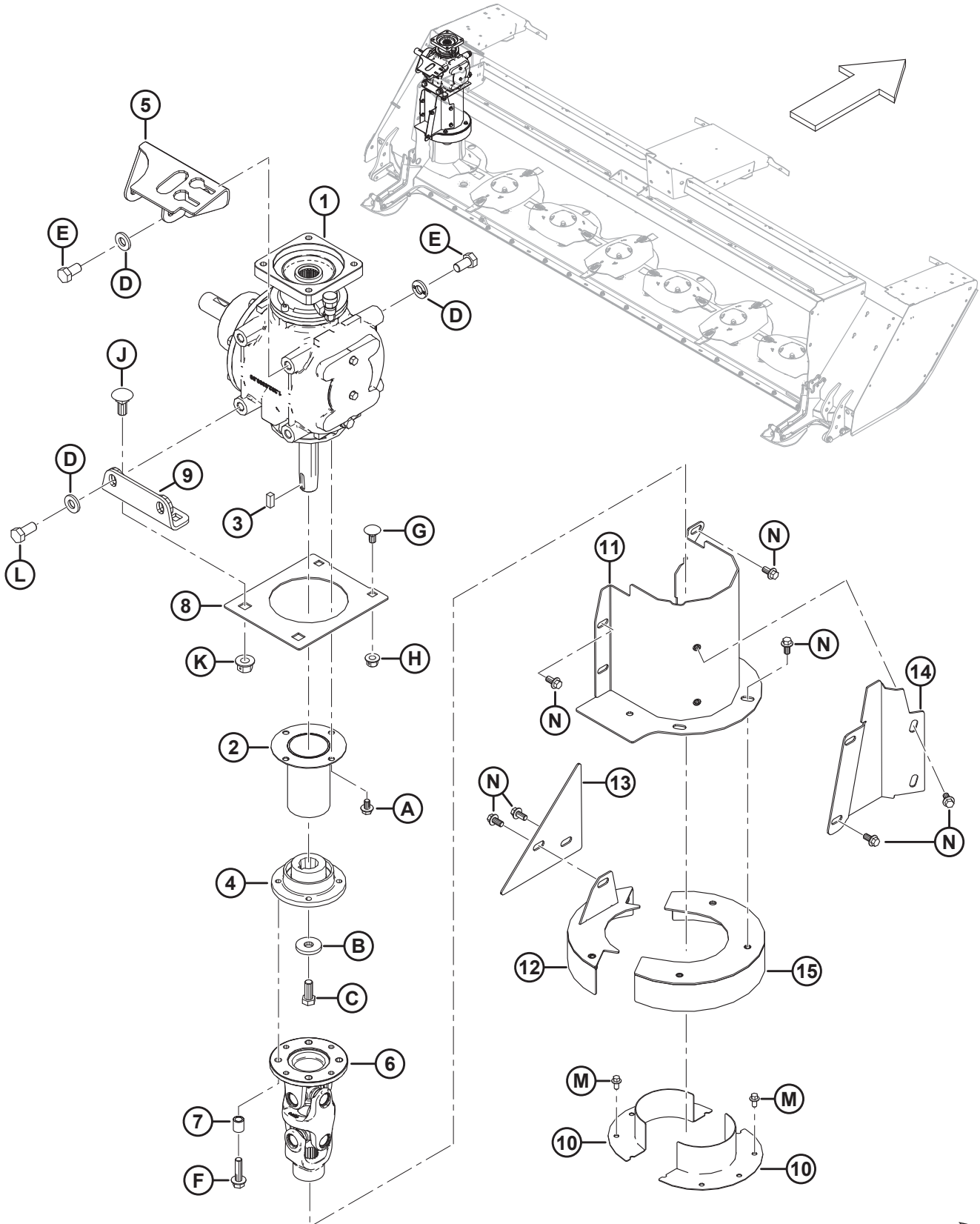


CUTTERBAR TO FRAME – R116

Ref	Part Number	Description	Qty	Serial Number
1	247206	SHIM – CUTTERBAR ⁴²	A/R	
2	257096	SHOE – WELDMENT	4	
3	238147	LINK – CAST	4	
4	325683	ASSEMBLY – TOOL, DRIVE ALIGNMENT ⁴³	A/R	
5	246314	WRENCH – SAFECUT NUT ⁴⁴	1	
6	239049	TOOL – DISC TIMING 1	1	
7	338995	TOOL – DISC TIMING 2	1	
A	184714	WASHER – FLAT REG M12-300HV-A3L		
B	135155	BOLT – HEX HD M12 X 1.75 X 75-8.8-A3L		
C	184673	BOLT – HEX HD M12 X 1.75 X 90-10.9-A3L		
D	136431	NUT – HEX FLG CTR LOC M12 X 1.75-10-A3L		
E	184672	BOLT – HEX HD M12 X 1.75 X 100-10.9-A3L		
F	136717	BOLT – HEX HD TFL M16 X 2 X 45-8.8-A3L		
G	320226	WASHER – HARD M16-300HV-ZINC ⁴⁵		
H	136440	NUT – HEX FLG CTR LOC M16 X 2-10-A3L		
J	184711	WASHER – FLAT REG M10-200HV-A3L		
K	135799	NUT – HEX FLG CTR LOC M10 X 1.5-10-A3L		
L	108172	BOLT – HEX HD M10 X 1.5 X 65-8.8-A3L		
M	148798	BOLT – HEX FLG HD M12 X 1.75 X 30-10.9-A3L		
N	136157	BOLT – HEX HD M20 X 2.5 X 65-10.9-AA1J		
P	136124	NUT – HEX M20 X 2.5-10-A3L		
Q	320225	WASHER – HARD M20-300HV-ZINC		
R	136141	BOLT – HEX HD M16 X 2 X 60-8.8-AA1J ⁴⁶		346190–
S	184681	BOLT – HEX HD M16 X 2 X 50-8.8-AA1J ⁴⁶		346190–
T	136132	BOLT – HEX HD TFL M16 X 2 X 45-8.8-A3L ⁴⁷		–346189
U	184709	WASHER – FLAT LARGE M8-200HV		
V	197171	BOLT – RHSN M8 X 1.25 X 20-8.8 ZINC		
W	135337	NUT – HEX FLG CTR LK M8 X 1.25-8-AA1J		

42. Shim both sides of the header evenly as required to a maximum gap of 2 mm per side before tightening bolts.
43. Use drive alignment tool to achieve proper alignment (+/- 3.2 mm or 1/8 in.) between 90° drive gearbox hub and cutterbar driveshaft. Tool not supplied with header; includes hardware (MD #184711, 135799, and 108172).
44. Wrench is attached to header. Used to loosen/tighten special nuts (MD #246612, 246613). Refer to Section 2 [Cutterbar – R116, page 5](#).
45. If reinforced outboard rock guards (MD #238031 and 238032) are installed, use one washer per bolt at the ends of the cutterbar. If reinforced outboard rock guards are not installed, use two washers per bolt.
46. Used on model year 2019 and later headers, and model year 2018 and prior headers that have the Reinforced Rock Guard kit (MD #238026) installed.
47. Used on model year 2018 and prior headers without the Reinforced Rock Guard kit (MD #238026) installed.

8 Mechanical Drives – R113

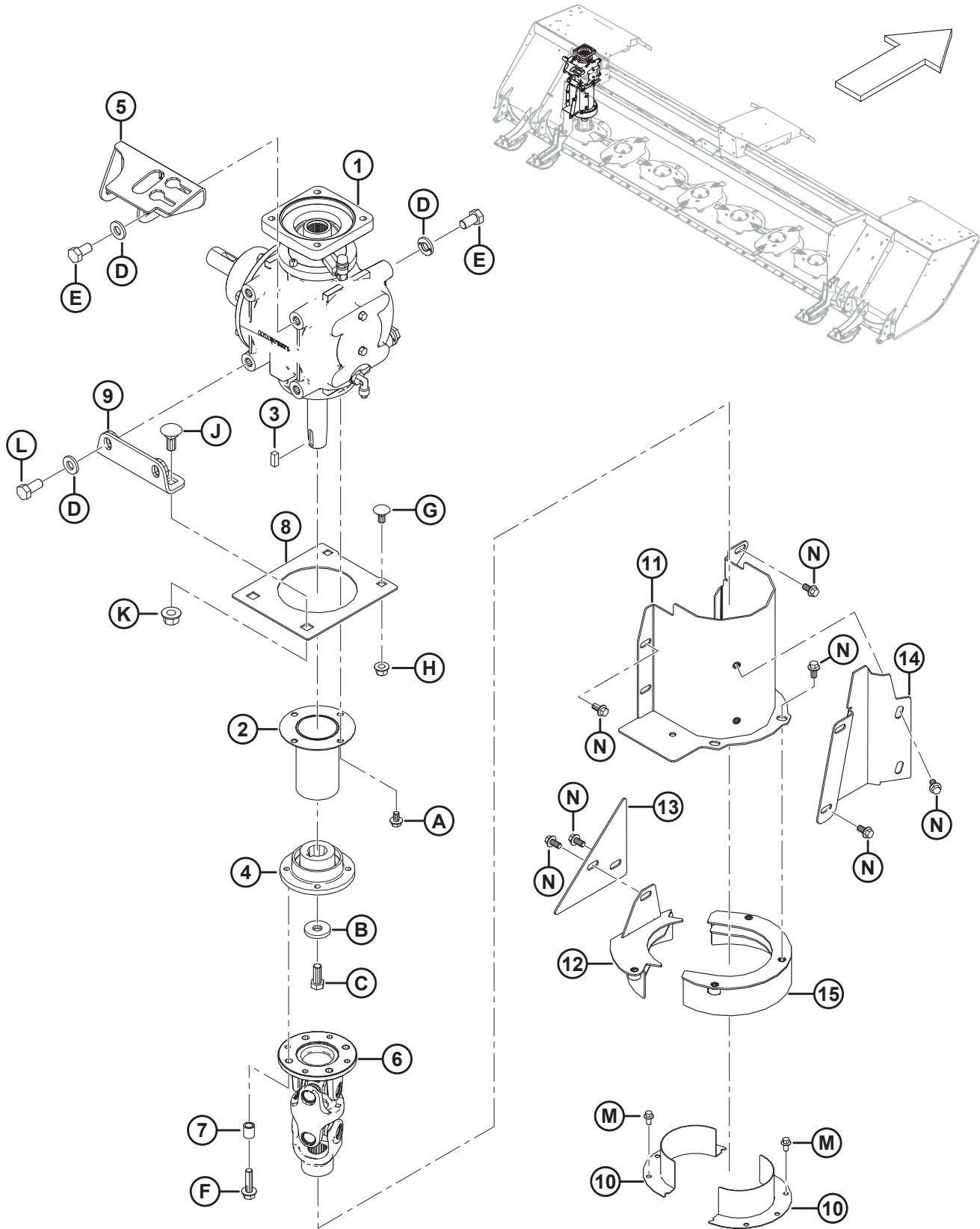


MECHANICAL DRIVES – R113

Ref	Part Number	Description	Qty	Serial Number
1	257187	KIT – GEARBOX ⁴⁸	1	321190–
	257174	KIT – GEARBOX ⁴⁹	1	–321189
2	256372	SHIELD – WELDMENT	1	
3	222269	KEY	1	
4	247103	HUB – DRIVE	1	
5	256582	SUPPORT – TENSIONER WELDT	1	
6	259139	ASSEMBLY – DRIVELINE	1	
	259142	ASSEMBLY – CROSS JOURNAL, CENTER ZERK		
	247120	ASSEMBLY – CROSS JOURNAL, CAP ZERK		
	247121	YOKE		
	247122	YOKE – FLANGE		
7	222291	SPACER	4	
8	256352	PLATE – COVER	1	
9	256371	BRACKET	1	
10	246691	SHIELD WELD'T – DRUM	2	
11	256416	SHIELD – VERTICAL WELD'T	1	
12	246687	PLATE WELDMENT – BACK	1	
13	246770	PLATE – COVER	1	
14	256408	PLATE – SHIELD	1	
15	281378	DRUM – TOP	1	
A	136151	BOLT – HEX FLG HD TFL M10 X 1.5 X 16-8.8-A3L		
B	4762	WASHER – FLAT		
C	135491	BOLT – HEX HD TFL M14 X 2 X 35-8.8-A3L		
D	320226	WASHER – HARD M16-360HV-ZINC		
E	136143	BOLT – HEX HD TFL M16 X 2 X 30-10.9-A3L		
F	148799	BOLT – HEX FLG HD M12 X 1.75 X 45-10.9-A3L		
G	135903	BOLT – RHSN M12 X 1.75 X 25-8.8-A3L		
H	136431	NUT – HEX FLG CTR LOC M12 X 1.75-10-A3L		
J	152685	BOLT – RHSN M16 X 2 X 40-10.9-A3L		
K	136440	NUT – HEX FLG CTR LOC M16 X 2-10-A3L		
L	136137	BOLT – HEX HD TFL M16 X 2 X 35-8.8-A3L		
M	136485	BOLT – HEX FLG HD TFL M8 X 1.25 X 16-8.8-A3L		
N	152655	BOLT – HEX FLG HD M10 X 1.5 X 20-8.8-A3L		

48. Kit applies to 2018 and later model year units and is used to replace a damaged or faulty 90° drive gearbox. Kit includes 90° drive gearbox, drive alignment tool assembly (MD #325683), and R1 SP installation instruction. For 90° drive gearbox serviceable components, refer to Section [10 90° Drive Gearbox – Internal Components, page 27](#).
49. Kit applies to 2017 model year units only and is used to replace a damaged or faulty 90° drive gearbox. Kit includes gearbox kit (MD #257187), magnetic plug (MD #257060), and R1 gearbox service instruction. For 90° drive gearbox serviceable components, refer to Section [10 90° Drive Gearbox – Internal Components, page 27](#).

9 Mechanical Drives – R116

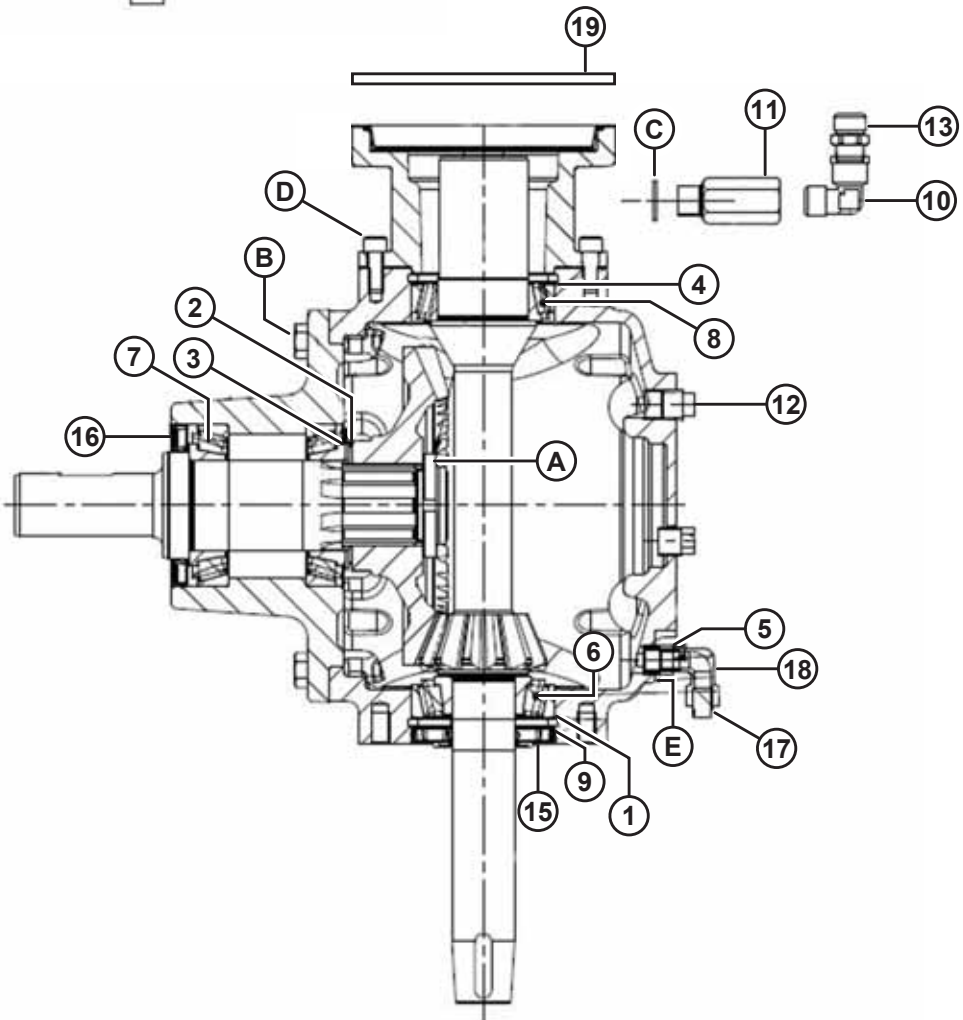
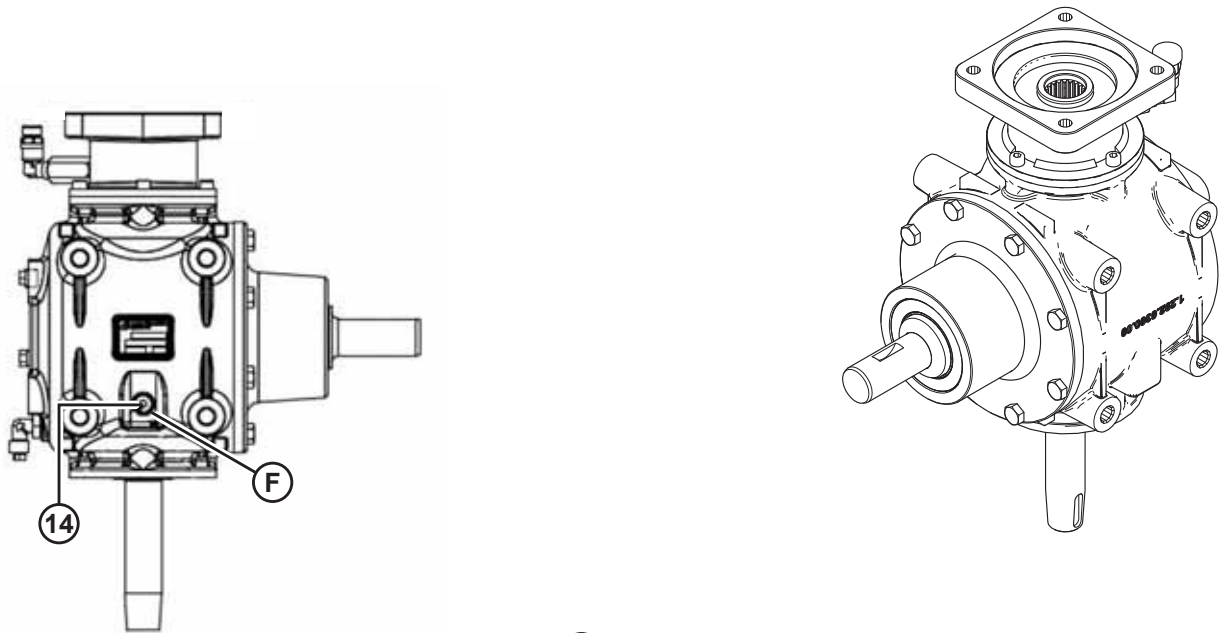


MECHANICAL DRIVES – R116

Ref	Part Number	Description	Qty	Serial Number
1	257187	KIT – GEARBOX ⁵⁰	1	321190–
	257174	KIT – GEARBOX ⁵¹	1	–321189
2	256372	SHIELD – WELDMENT	1	
3	222269	KEY	1	
4	247103	HUB – DRIVE	1	
5	256582	SUPPORT – TENSIONER WELDT	1	
6	259139	ASSEMBLY – DRIVELINE	1	
	259142	ASSEMBLY – CROSS JOURNAL, CENTER ZERK		
	247120	ASSEMBLY – CROSS JOURNAL, CAP ZERK		
	247121	YOKE		
	247122	YOKE – FLANGE		
7	222291	SPACER	4	
8	256352	PLATE – COVER	1	
9	256371	BRACKET	1	
10	281497	SHIELD WELD'T – DRUM	2	
11	259115	SHIELD – VERTICAL WELD'T	1	
12	281493	PLATE WELDMENT – BACK	1	
13	281500	PLATE – COVER	1	
14	259116	PLATE – SHIELD	1	
15	281489	DRUM – TOP	1	
A	136151	BOLT – HEX FLG HD TFL M10 X 1.5 X 16-8.8-A3L		
B	4762	WASHER – FLAT		
C	135491	BOLT – HEX HD TFL M14 X 2 X 35-8.8-A3L		
D	320226	WASHER – HARD M16-360HV-ZINC		
E	136143	BOLT – HEX HD TFL M16 X 2 X 30-10.9-A3L		
F	148799	BOLT – HEX FLG HD M12 X 1.75 X 45-10.9-A3L		
G	135903	BOLT – RHSN M12 X 1.75 X 25-8.8-A3L		
H	136431	NUT – HEX FLG CTR LOC M12 X 1.75-10-A3L		
J	152685	BOLT – RHSN M16 X 2 X 40-10.9-A3L		
K	136440	NUT – HEX FLG CTR LOC M16 X 2-10-A3L		
L	136137	BOLT – HEX HD TFL M16 X 2 X 35-8.8-A3L		
M	136485	BOLT – HEX FLG HD TFL M8 X 1.25 X 16-8.8-A3L		
N	152655	BOLT – HEX FLG HD M10 X 1.5 X 20-8.8-A3L		

50. Kit applies to 2018 and later model year units and is used to replace a damaged or faulty 90° drive gearbox. Kit includes 90° drive gearbox, drive alignment tool assembly (MD #325683), and R1 SP installation instruction. For 90° drive gearbox serviceable components, refer to Section [10 90° Drive Gearbox – Internal Components, page 27](#).
51. Kit applies to 2017 model year units only and is used to replace a damaged or faulty 90° drive gearbox. Kit includes gearbox kit (MD #257187), magnetic plug (MD #257060), and R1 gearbox service instruction. For 90° drive gearbox serviceable components, refer to Section [10 90° Drive Gearbox – Internal Components, page 27](#).

10 90° Drive Gearbox – Internal Components

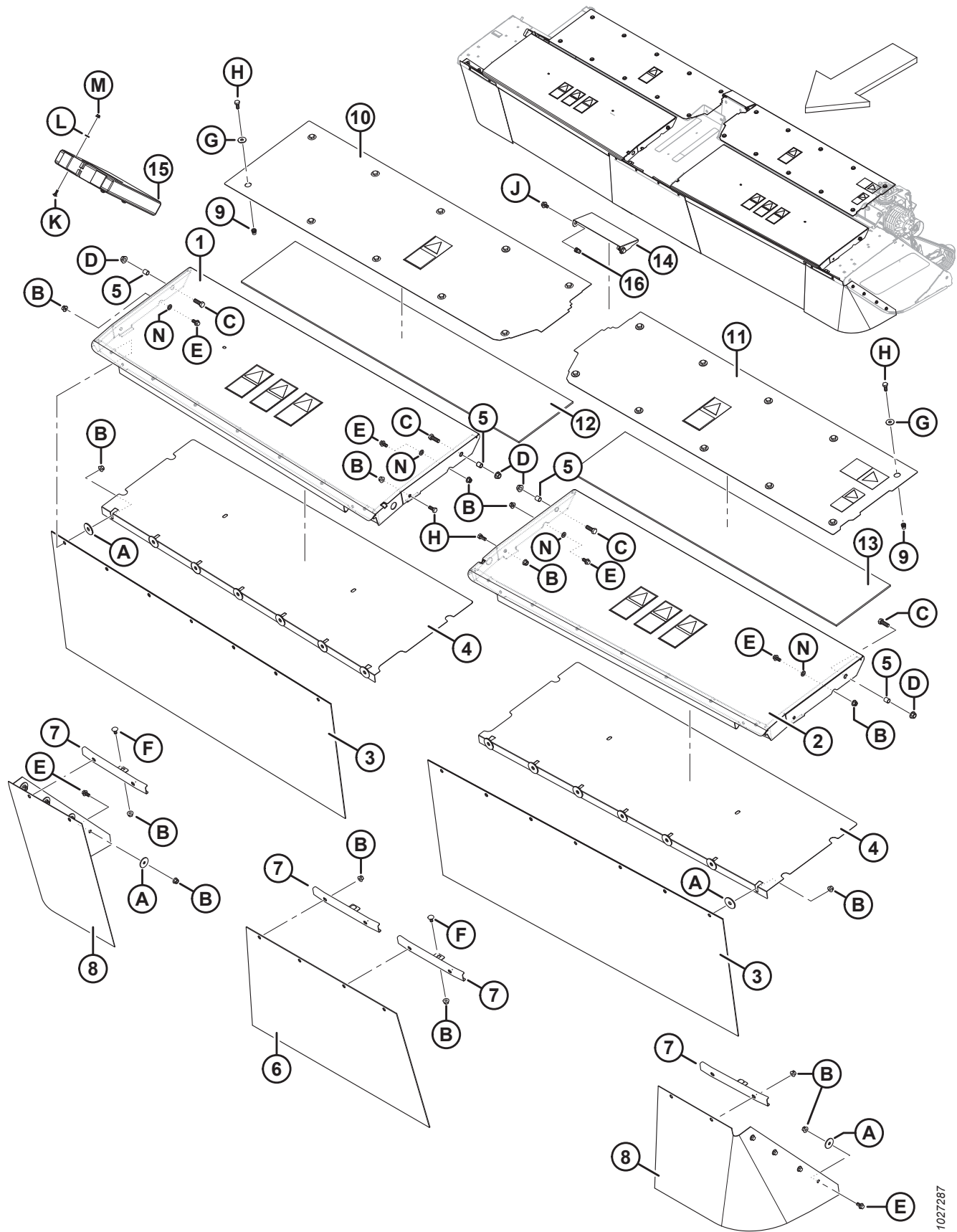


90° DRIVE GEARBOX – INTERNAL COMPONENTS

Ref	Part Number	Description	Qty	Serial Number
	257187	KIT – GEARBOX ⁵²	1	321190–
	257174	KIT – GEARBOX ⁵³	1	–321189
1	257033	SHIM KIT		
2	257042	SHIM		
3	257043	SHIM		
4	257044	SHIM		
5	257162	REDUCER		
6	257049	BEARING – TAPERED ROLLER		
7	150871	BEARING – TAPERED ROLLER		
8	257052	BEARING – TAPERED ROLLER		
9	257055	RING – SNAP		
10	257056	ELBOW – 90°		
11	257089	EXTENSION		
12	257058	PLUG – EXTERNAL		
13	236994	PLUG – BREATHER		
14	257125	PLUG – MAGNETIC		
15	257062	SEAL – DOUBLE LIP		
16	257063	SEAL – OIL		
17	257128	PLUG – MAGNETIC		
18	257090	ELBOW		
19	257061	SEAL – DOUBLE LIP ⁵⁴		321190–
	257150	O-RING ⁵⁵		–321189
A	100709	NUT – SPECIAL M40 X 1.5 CLASS 8.8		
B	257053	BOLT		
C	257054	WASHER – COPPER		
D	257064	BOLT		
E	257126	WASHER – COPPER		
F	257127	WASHER – COPPER		

-
52. Kit applies to 2018 and later model year units and is used to replace a damaged or faulty 90° drive gearbox. Kit includes 90° drive gearbox, drive alignment tool assembly (MD #325683), and R1 SP installation instruction.
53. Kit applies to 2017 model year units only and is used to replace a damaged or faulty 90° drive gearbox. Kit includes Gearbox kit (MD #257187), magnetic plug (MD #257060), and R1 gearbox service instruction.
54. Service part for Gearbox kit (MD #257187). Ensure the correct part is used. Seal (MD #257061) and O-ring (MD #257150) are **NOT** interchangeable.
55. Service part for Gearbox kit (MD #257174). Ensure the correct part is used. O-ring (MD #257150) and seal (MD #257061) are **NOT** interchangeable.

11 Header Shields – R113



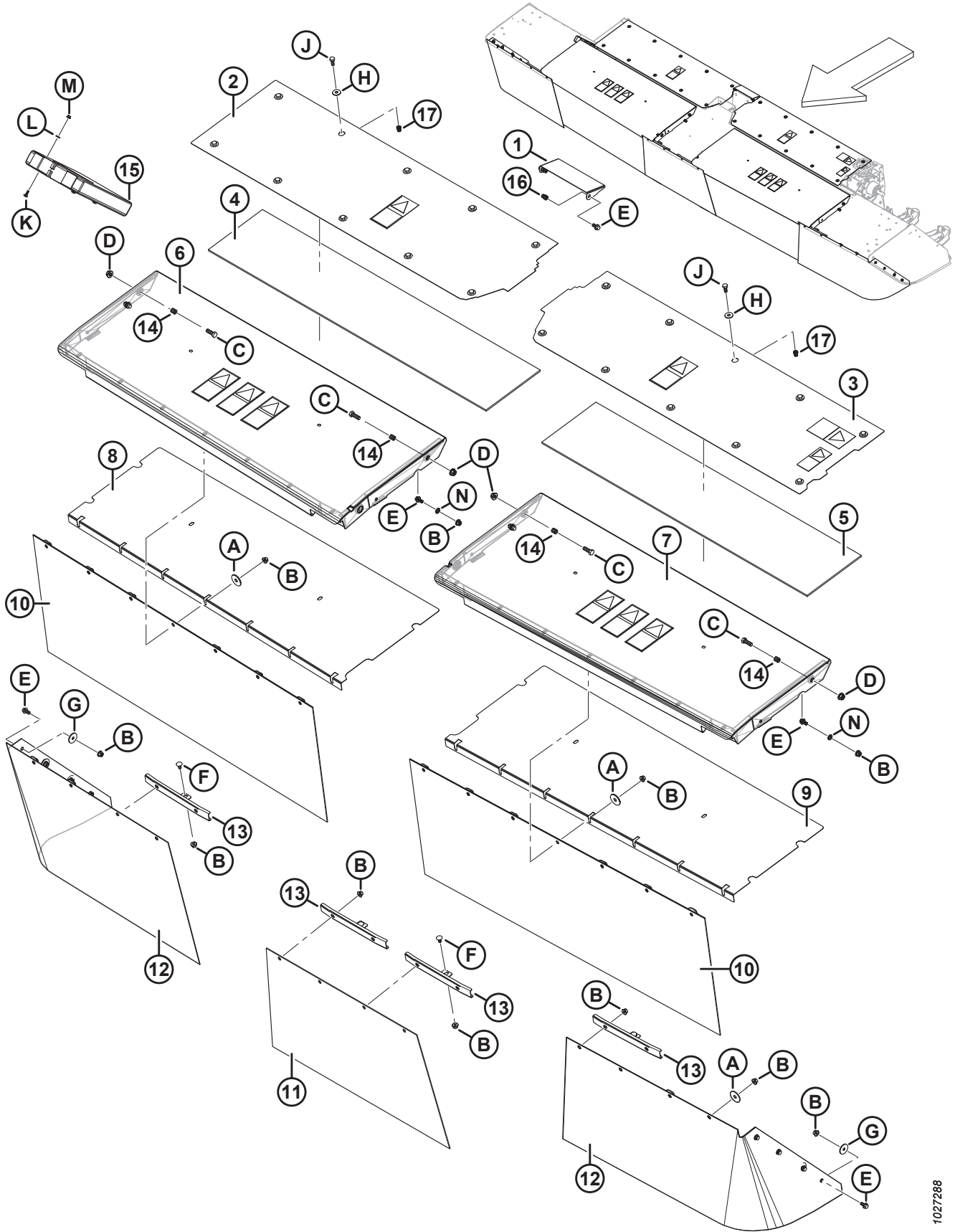
1027287

HEADER SHIELDS – R113

Ref	Part Number	Description	Qty	Serial Number
1	246876	ASSEMBLY – RH COVER C/W DECALS ⁵⁶	1	
2	246874	ASSEMBLY – LH COVER C/W DECALS ⁵⁷	1	
3	256507	SHIELD – DOOR	2	
4	246388	LINER – COVER	2	
5	224313	SPACER	4	
6	256504	SHIELD – CENTER	1	
7	224686	SUPPORT – FRONT SHIELD	4	
8	256503	SHIELD – CORNER	2	
9	136843	RIVNUT – M10 X 1.5 HEX M100.7-3.8	20	
10	256412	ASSEMBLY – RH TOP SHIELD C/W DECALS ⁵⁸	1	
11	256633	ASSEMBLY – LH TOP SHIELD C/W DECALS ⁵⁸	1	
12	246346	LINER – RH FRAME	1	
13	256409	LINER – LH FRAME	1	
14	246413	SHIELD – REAR	1	
15	118234	CASE – MANUALS	1	
16	136876	RIVNUT – M10 X 1.5 HEX M103.8-7.9	2	
A	42592	WASHER – FLAT		
B	135799	NUT – HEX FLG CTR LOC M10 X 1.5-10-A3L		
C	152730	BOLT – HEX HD TFL M12 X 1.75 X 35-10.9-A3L		
D	148645	NUT – HEX FLG STVR LOC M12 X 1.75-10-A3L		
E	152655	BOLT – HEX FLG HD M10 X 1.5 X 20-8.8-A3L		
F	184657	BOLT – RHSSN M10 X 1.5 X 20-8.8-A3L		
G	184712	WASHER – FLAT LARGE M10-200HV-A3L		
H	30627	BOLT – HEX HD TFL M10 X 1.5 X 25-8.8-A3L		
J	136151	BOLT – HEX FLG HD TFL M10 X 1.5 X 16-8.8-A3L		
K	184641	BOLT – RHSN M6 X 1 X 20-8.8-A2L		
L	18596	WASHER – SAE FLAT 9/32 ID X 5/8 IN OD ZP		
M	152668	NUT – HEX FLG CTR LOC M6 X 1-8-A2L		
N	184711	WASHER – FLAT REG M10-200HV-AA1J		

56. Includes information decals (MD #194465, 247167, and 194466) and MacDon top decal (MD #246997).
 57. Includes information decals (MD #194465, 247167, and 194466) and R113 SP top decal (MD #256333).
 58. Includes information decal (MD #190546).

12 Header Shields – R116



1027288

HEADER SHIELDS – R116

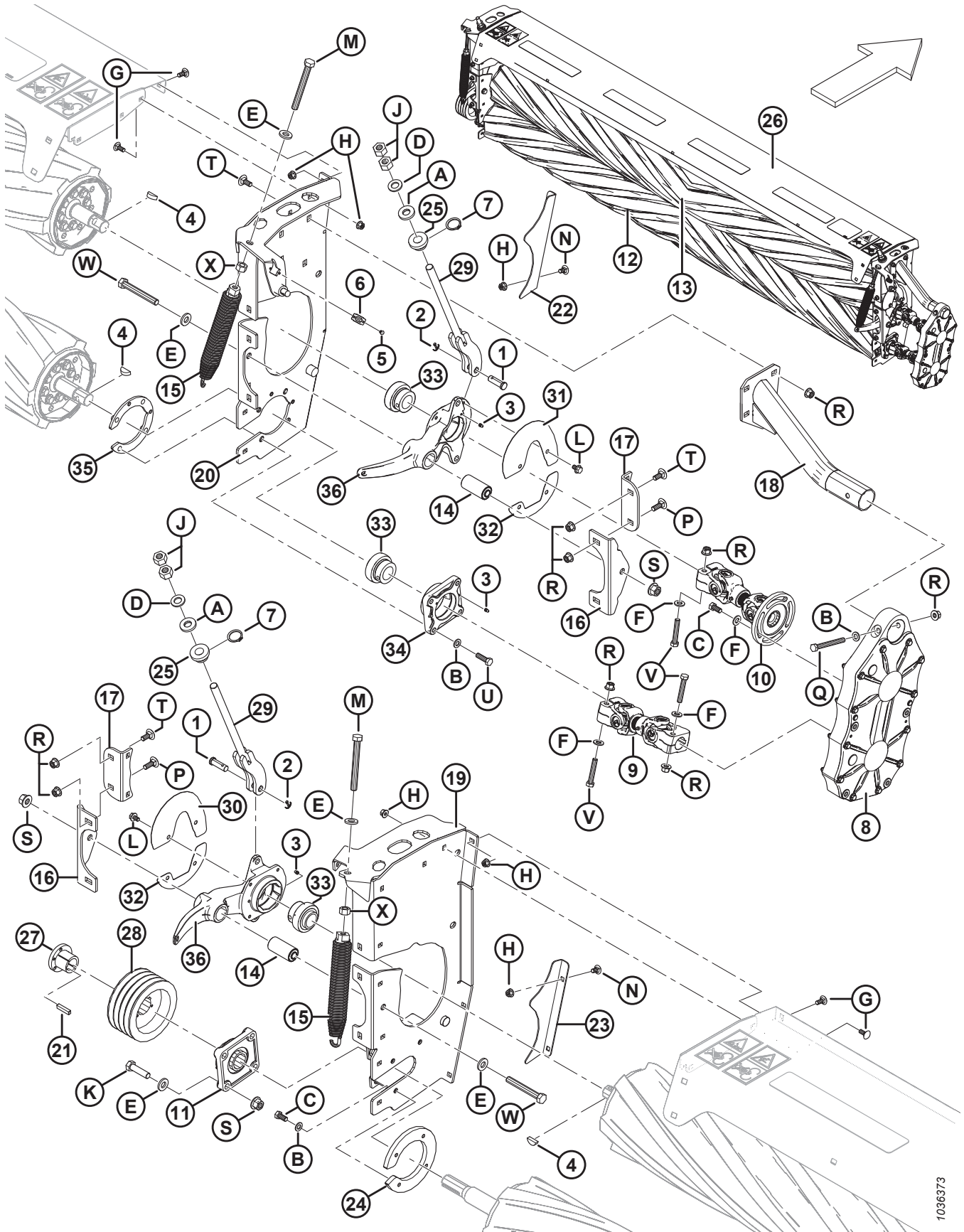
Ref	Part Number	Description	Qty	Serial Number
1	246413	SHIELD – REAR	1	
2	256412	ASSY – TOP SHIELD C/W DECALS, RH ⁵⁹	1	
3	256633	ASSY – TOP SHIELD C/W DECALS, LH ⁵⁹	1	
4	246346	LINER – FRAME, RH	1	
5	256409	LINER – FRAME, LH	1	
6	246876	ASSEMBLY – RH COVER C/W DECALS ⁶⁰	1	
7	246874	ASSEMBLY – LH COVER C/W DECALS ⁶¹	1	
8	224471	LINER – COVER, RH	1	
9	246388	LINER – COVER, LH	1	
10	256507	SHIELD – DOOR	2	
11	256504	SHIELD – CENTER	1	
12	256508	SHIELD – CORNER 16 FT	2	
13	224686	SUPPORT – FRONT SHIELD	4	
14	224313	SPACER	4	
15	118234	CASE – MANUALS	1	
16	136876	RIVNUT – M10 X 1.5 HEX M10 3.8-7.9	2	
17	136843	RIVNUT – M10 X 1.5 HEX M10 0.7-3.8	20	
A	42592	WASHER – FLAT		
B	135799	NUT – HEX FLG CTR LOC M10 X 1.5-10-A3L		
C	152730	BOLT – HEX HD TFL M12 X 1.75 X 35-10.9-A3L		
D	148645	NUT – HEX FLG STVR LOC M12 X 1.75-10-A3L		
E	152655	BOLT – HEX FLG HD M10 X 1.5 X 20-8.8-A3L		
F	184657	BOLT – RHSSN M10 X 1.5 X 20-8.8-A3L		
G	136428	WASHER – FLAT LARGE M10-200HV-A3L		
H	184712	WASHER – FLAT LARGE M10-200HV-A3L		
J	30627	BOLT – HEX HD TFL M10 X 1.5 X 25-8.8-A3L		
K	184641	BOLT – RHSN M6 X 1 X 20-8.8-A2L		
L	18596	WASHER – SAE FLAT 9/32 ID X 5/8 IN OD ZP		
M	152668	NUT – HEX FLG CTR LOC M6 X 1-8-A2L		
N	184711	WASHER – FLAT REG M10-200HV-AA1J		

59. Includes information decal (MD #190546).

60. Includes information decals (MD #194465, 247167, and 194466) and MacDon top decal (MD #246997).

61. Includes information decals (MD #194465, 247167, and 194466) and R116 SP top decal (MD #256334).

13 Roll Conditioner – Polyurethane/Steel



1036373

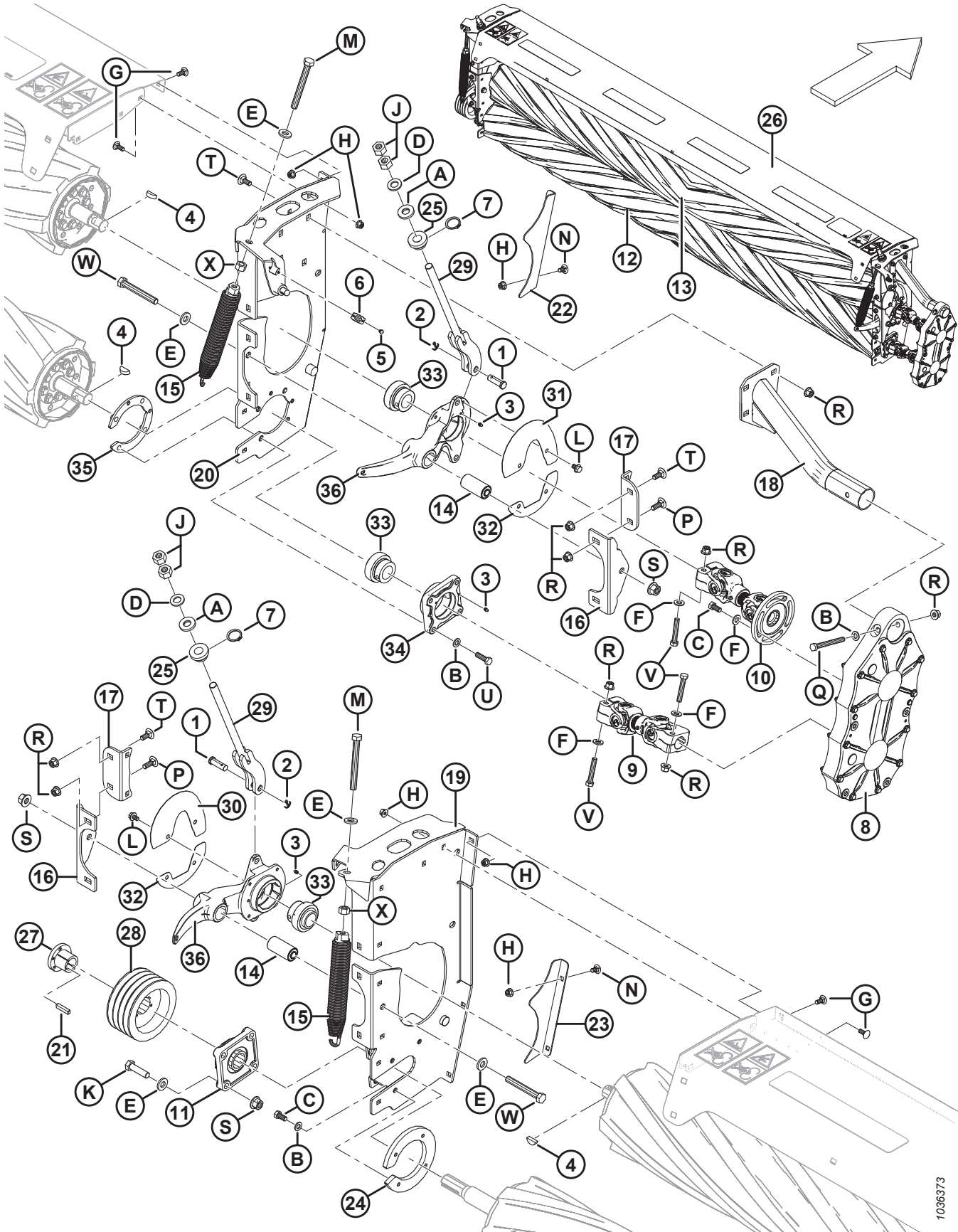
ROLL CONDITIONER – POLYURETHANE/STEEL

Ref	Part Number	Description	Qty	Serial Number
	B6557	KIT – POLY ROLLER CONDITIONER, SP ⁶²		
	B6558	KIT – STEEL ROLLER CONDITIONER, SP ⁶²		
1	18620	PIN – CLEVIS	2	
2	18648	PIN – COTTER 3/16 DIA X 1.25 ZP	2	
3	18671	FITTING – LUBE 1/4, 28 UNF	3	
4	30836	KEY – WOODRUFF (3/8 X 1 1/4 NOM.)	3	
5	113799	RIVET – POP	2	
6	135813	CLIP – TOLERANCE	1	
7	136832	RING – EXT RETAINING HEAVY DUTY	2	
8	307211	DRIVE – GEAR (CONDITIONER ROLL TIMING) ⁶³	1	
9	221765	DRIVELINE – LOWER	1	
	198329	YOKE		
	124541	CROSS JOURNAL KIT		
10	221768	DRIVELINE – UPPER	1	
	149399	YOKE – FLANGE		
	198329	YOKE		
	124541	CROSS JOURNAL KIT		
11	221769	HOUSING – FLANGED	1	
12	221937	ROLL – LOWER POLY	1	
	307889	ROLL – LOWER STEEL	1	
13	221938	ROLL – UPPER POLY	1	
	247832	ROLL – UPPER STEEL	1	
14	222658	BUSHING – RUBBER	2	
15	222664	ASSEMBLY – SPRING	2	
16	222988	BRACKET – PIVOT	2	
17	223406	ANGLE – COND PANEL	2	
18	223467	SUPPORT – WELDMENT	1	
19	256580	LH PANEL – C/W DECALS	1	
20	247856	RH PANEL – C/W DECALS	1	
21	246424	KEY – 10 MM X 8 MM X 45 MM	1	
22	246751	GUARD – RH POLY ROLL ONLY	1	
	246747	GUARD – RH STEEL ROLL ONLY	1	
23	246752	GUARD – LH POLY ROLL ONLY	1	
	246748	GUARD – LH STEEL ROLL ONLY	1	
24	281325	PLATE – CLAMP, POLY ROLL ONLY	1	
	281324	PLATE – CLAMP, STEEL ROLL ONLY	1	
25	246799	STOP – PLASTIC	2	
26	256581	COVER – ROLL COND, C/W ANTI-SLIPS	1	
27	246844	BUSHING	1	
28	246847	PULLEY – 4 HB	1	
29	247259	STOP – WELDT	2	

62. Kits available through Whole Goods only.

63. For service parts, refer to Section [14 Roll Conditioner – Gear Drive, page 37](#).

ROLL CONDITIONER – POLYURETHANE/STEEL

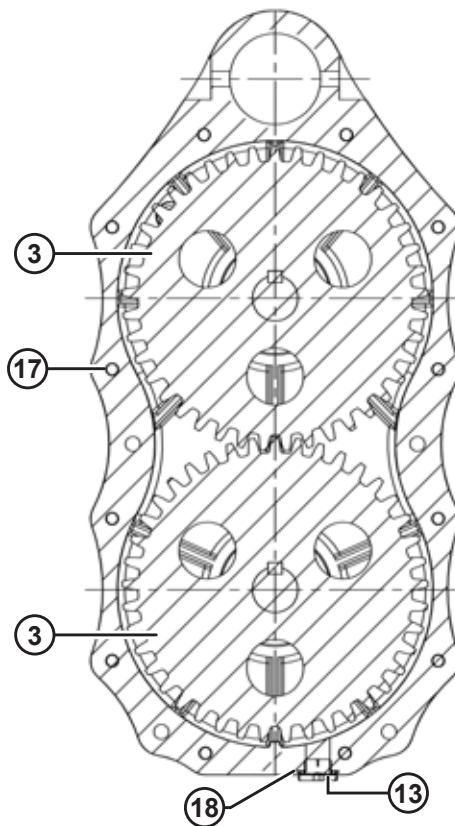
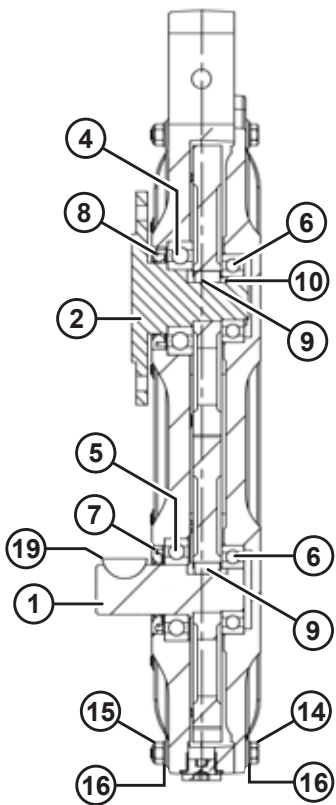
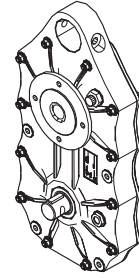
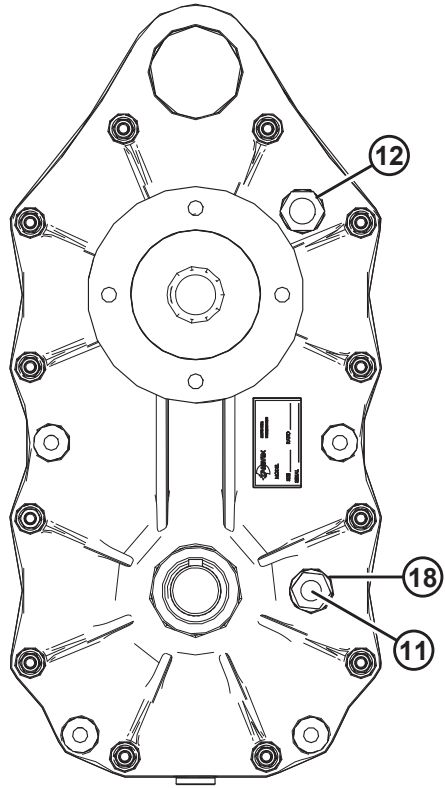


1036373

ROLL CONDITIONER – POLYURETHANE/STEEL

Ref	Part Number	Description	Qty	Serial Number
30	256574	SHIELD – LH, C/W DECAL	1	
31	256573	SHIELD – RH, C/W DECAL	1	
32	256497	SHIELD – ROLL ARM, LOWER	2	
33	247307	BEARING – SPH OD C/W COLLAR 1.5 IN BORE	3	
34	247309	HOUSING – MACHINED	1	
35	247420	PLATE – BRG HSG, FLOW DRILLED	1	
36	247828	ARM – ROLL, C/W BUSHING	2	
A	16235	WASHER – FLAT		
B	184714	WASHER – FLAT REG M12-300HV-A3L		
C	50155	BOLT – HEX HD TFL M12 X 1.75 X 25-8.8-A3L		
D	320225	WASHER – HARD M20-300HV-ZINC		
E	320226	WASHER – HARD M16-300HV-ZINC		
F	135369	WASHER – HARDENED		
G	135785	BOLT – RHSN M10 X 1.5 X 25-8.8-A3L		
H	135799	NUT – HEX FLG CTR LOC M10 X 1.5-10-A3L		
J	136124	NUT – HEX M20 X 2.5-10-A3L		
K	184681	BOLT – HEX HD M16 X 2 X 50-8.8-AA1JL		
L	136151	BOLT – HEX FLG HD TFL M10 X 1.5 X 16-8.8-A3L		
M	136172	BOLT – HEX HD TFL M16 X 2 X 140-8.8-A3L		
N	136178	BOLT – RHSN M10 X 1.5 X 20-8.8-A3L		
P	136291	BOLT – RHSN TFL M12 X 1.75 X 35-8.8-A3L		
Q	136423	BOLT – HEX HD M12 X 1.75 X 110-8.8-A3L		
R	136431	NUT – HEX FLG CTR LOC M12 X 1.75-10-A3L		
S	136440	NUT – HEX FLG CTR LOC M16 X 2-10-A3L		
T	184667	BOLT – RHSN M12 X 1.75 X 30-8.8-A3L		
U	184669	BOLT – HEX HD M12 X 1.75 X 40-8.8-A3L		
V	184675	BOLT – HEX HD M12 X 1.75 X 70-8.8-A3L		
W	184678	BOLT – HEX HD M16 X 2 X 120-8.8-A3L		
X	184699	NUT – HEX M16 X 2-8-A3L		

14 Roll Conditioner – Gear Drive

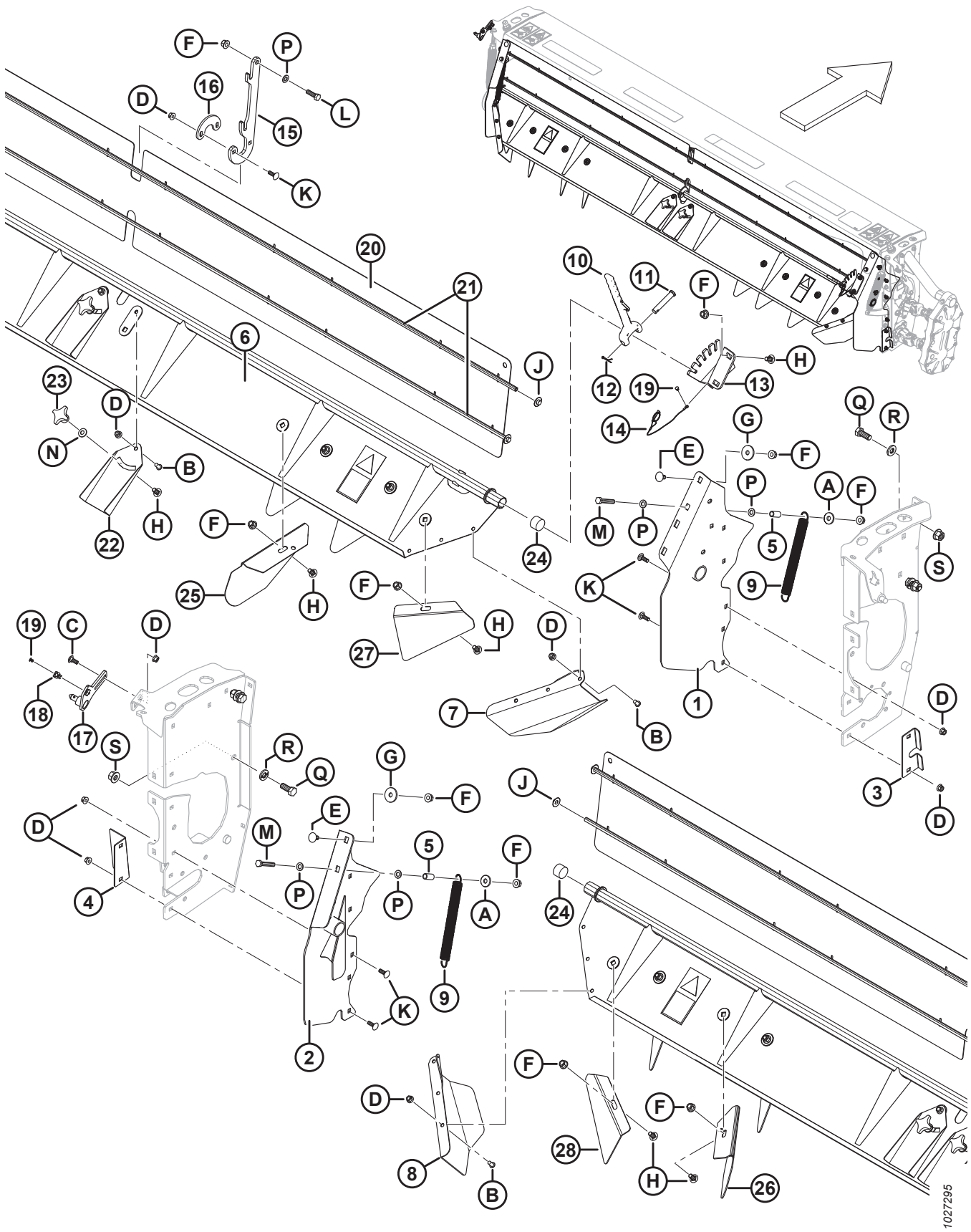


ROLL CONDITIONER – GEAR DRIVE

Ref	Part Number	Description	Qty	Serial Number
	307211	DRIVE – GEAR (CONDITIONER ROLL TIMING) ⁶⁴		
1	247183	SHAFT – INPUT	1	
2	247184	SHAFT – OUTPUT, 4 BOLT FLANGE	1	
3	247185	GEAR – SPUR	2	
4	247186	BEARING – OUTPUT SHAFT	1	
5	247187	BEARING – INPUT SHAFT	1	
6	247188	BEARING	2	
7	247189	SEAL – INPUT SHAFT	1	
8	247190	SEAL – OUTPUT SHAFT	1	
9	247191	KEY – 10 X 8 X 18L, HARDENED	2	
10	247192	RING – SNAP	1	
11	247193	PLUG – OIL LEVEL, 1/2 BSPP	1	
12	247194	BREATHER – 1/2 BSPP	1	
13	247195	PLUG – DRAIN, 1/2 BSPP	1	
14	247196	BOLT – M8 X 70	12	
15	247197	NUT – M8	12	
16	247198	WASHER – M8	24	
17	247199	PIN – 6 X 12L	1	
18	247265	WASHER – 21.5 X 26 X 2T	1	
19	30836	KEY – WOODRUFF (3/8 X 1 1/4 NOM)	1	

64. Refer to Section *13 Roll Conditioner – Polyurethane/Steel*, page 33.

15 Roll Conditioner – Shields



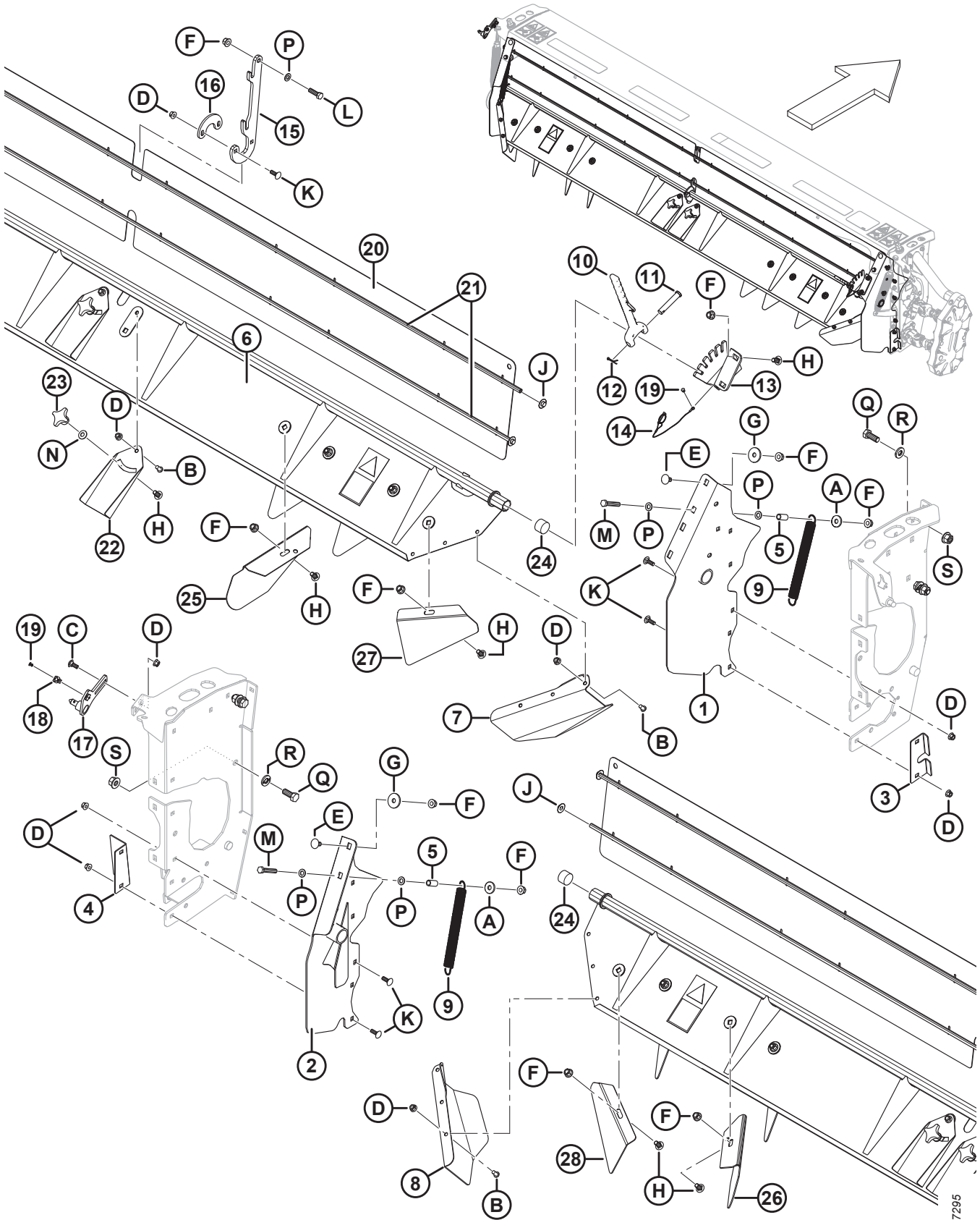
1027295

ROLL CONDITIONER – SHIELDS

Ref	Part Number	Description	Qty	Serial Number
1	281339	DEFLECTOR – RH WELDT	1	
2	281338	DEFLECTOR – LH WELDT	1	
3	223014	SHIELD – RH	1	
4	224039	SHIELD – LH	1	
5	17675	SPACER	2	
6	256612	BAFFLE – C/W DECALS, ROLL CONDITIONER	1	
7	281583	DEFLECTOR – RH	1	
8	281582	DEFLECTOR – LH	1	
9	246175	SPRING – EXTENSION	2	
10	281818	HANDLE – BAFFLE, MACHINED	1	
11	19958	PIN – CLEVIS	1	
12	18648	PIN – COTTER 3/16 DIA X 1.25 ZP	1	
13	246224	BRACKET	1	
14	135945	LYNCH PIN – C/W LANYARD 3/16 PIN	1	
15	247323	HOOK – BAFFLE SUPPORT	1	
16	224977	PLATE	1	
17	246266	STUD – ASSEMBLY ⁶⁵	1	
18	135813	CLIP – TOLERANCE	1	
19	113799	RIVET – POP	3	
20	247275	CURTAIN – CONDITIONER	1	
21	247433	LINE – HYDRAULIC, 1/2 IN DIA., 3315 MM LG	2	
22	224869	FIN – BAFFLE	2	
23	246355	KNOB – PLASTIC, M12	2	
24	137980	PLUG	2	
25	256547	DEFLECTOR – RH FIN	3	
26	256546	DEFLECTOR – LH FIN	3	
27	256405	DEFLECTOR – RH END FIN	1	
28	256404	DEFLECTOR – LH END FIN	1	
A	4761	WASHER – FLAT		
B	135723	BOLT – BUTTON HD HEX SOCKET ZP M10 X 20		
C	135785	BOLT – RHSN M10 X 1.5 X 25-8.8-A3L		
D	135799	NUT – HEX FLG CTR LOC M10 X 1.5-10-A3L		
E	135903	BOLT – RHSN M12 X 1.75 X 25-8.8-A3L		
F	136431	NUT – HEX FLG CTR LOC M12 X 1.75-10-A3L		
G	166747	WASHER – FLAT, 12.95 MM ID, 45 MM OD, 4.5 MM THK		
H	152439	BOLT – RHSSN M12 X 1.75 X 25-8.8-A3L		
J	252219	NUT – PUSH ON CAP 1/2 STUD		
K	184662	BOLT – RHSN TFL M10 X 1.5 X 30-8.8-A3L		
L	184669	BOLT – HEX HD M12 X 1.75 X 40-8.8-A3L		
M	184675	BOLT – HEX HD M12 X 1.75 X 70-8.8-A3L		
N	184596	WASHER – CON SPRING M12 A STL SAE 1050-1075		
P	184714	WASHER – FLAT REG M12-300HV-A3L		
Q	111528	BOLT – HEX HD TFL M16 X 2 X 40-8.8-A3L		

65. Includes tolerance clip (MD #135813) and pop rivet (MD #113799).

ROLL CONDITIONER – SHIELDS

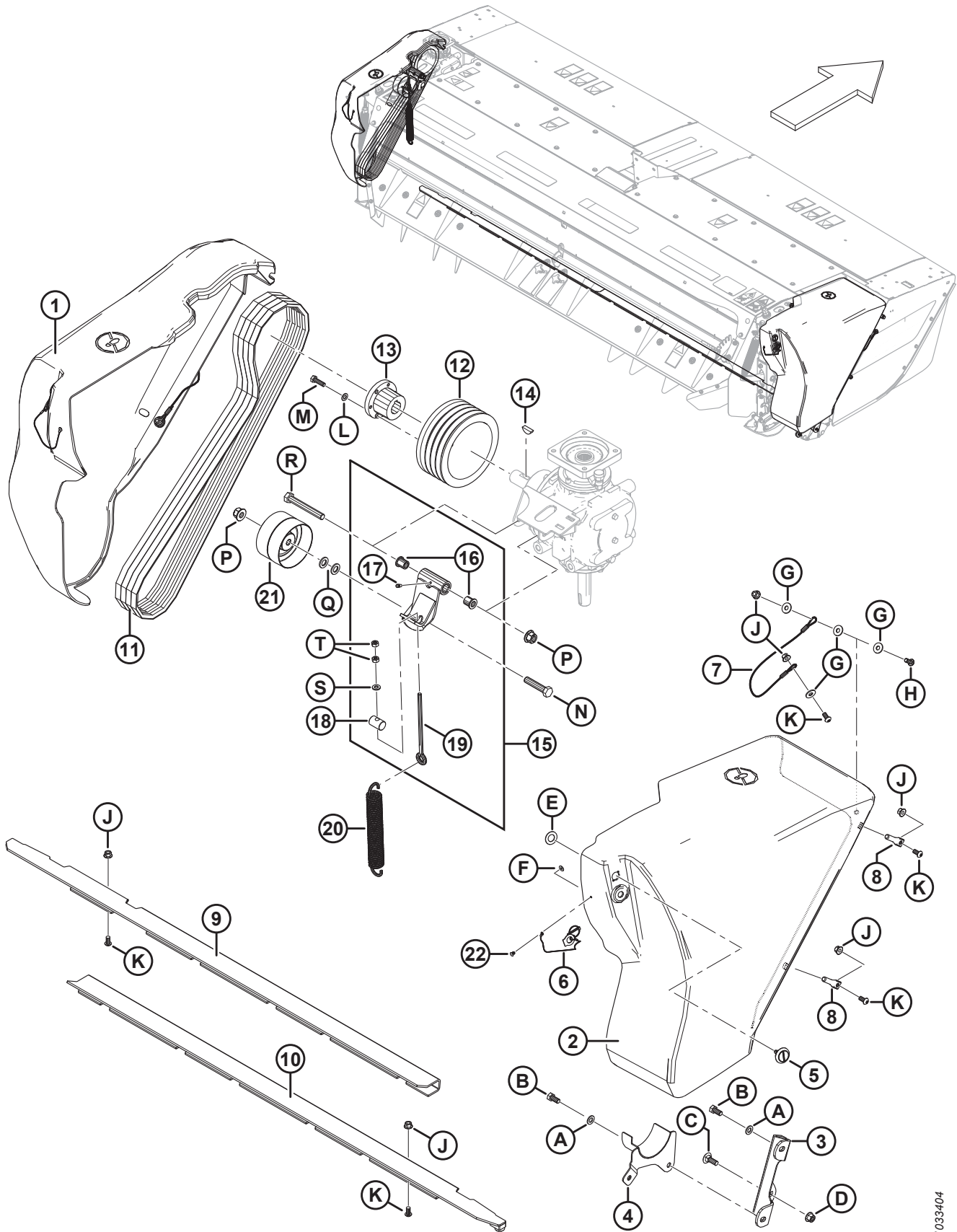


1027295

ROLL CONDITIONER – SHIELDS

Ref	Part Number	Description	Qty	Serial Number
R	320226	WASHER – HARD M16-360HV-ZINC		
S	136440	NUT – HEX FLG CTR LOC M16 X 2-10-A3L		

16 Roll Conditioner – Header Attachment



1033404

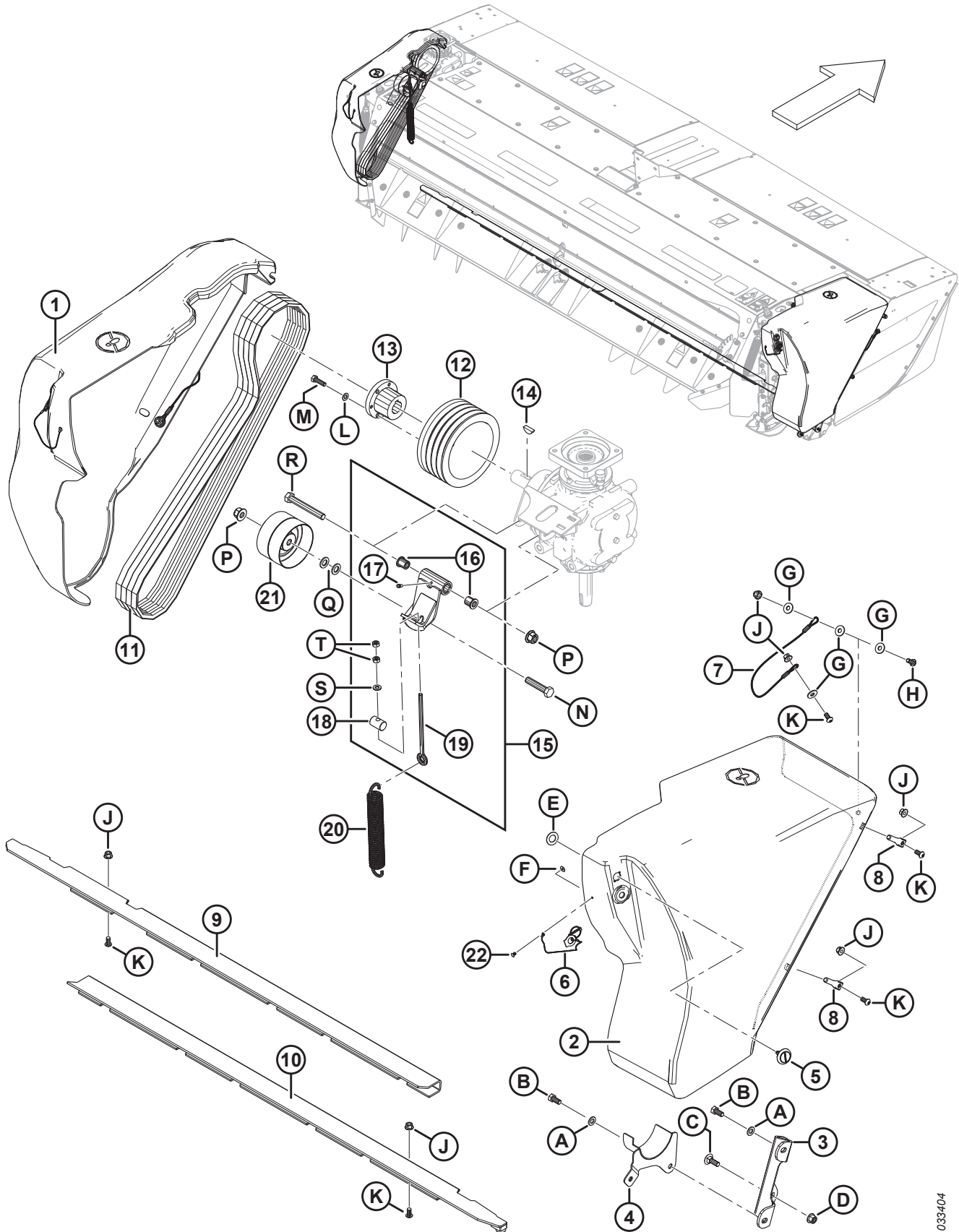
ROLL CONDITIONER – HEADER ATTACHMENT

Ref	Part Number	Description	Qty	Serial Number
1	257093	SHIELD ASSEMBLY – LH ⁶⁶	1	
2	224562	SHIELD ASSEMBLY – RH ⁶⁶	1	
3	238054	BRACKET – LOWER GEARBOX MOUNT	1	
4	256272	GUARD – DRIVELINE WELDT	1	
5	135815	LATCH – 3 MM SLOT	2	
6	246583	LYNCH PIN – C/W LANYARD 3/16 PIN	2	
7	224605	CABLE – SHIELD ANCHOR	2	
8	112624	RETAINER – PIN	2	
9	256192	DEFLECTOR – WELDT, LH (R113)	1	
	256640	PLATE – DEFLECTOR, LH (R116)	1	
10	256199	DEFLECTOR – WELDT, RH (R113)	1	
	256641	PLATE – DEFLECTOR, RH (R116)	1	
11	222028	BELT – PU CONDITIONER DRIVE	1	
12	281073	PULLEY – 4 HB	1	
13	246845	BUSHING	1	
14	281315	KEY – WOODRUFF (10 X 32 NOM.)	1	
15	281695	KIT – BELT TENSIONER ⁶⁷	1	
16	221997	BUSHING – FLANGED 16 X 22 X 25L	2	
17	7782	FITTING – LUBRICATION 1/4-28 TAPER THD	1	
18	281644	PIN – STRAIGHT	1	
19	281986	BOLT – EYE	1	
20	245966	SPRING – EXTENSION	1	
21	149183	PULLEY – IDLER	1	
22	113799	RIVET – POP	2	
A	184714	WASHER – FLAT REG M12-300HV-A3L		
B	50155	BOLT – HEX HD TFL M12 X 1.75 X 25-8.8-A3L		
C	136291	BOLT – RHSN TFL M12 X 1.75 X 35-8.8-A3L		
D	136431	NUT – HEX FLG CTR LOC M12 X 1.75-10-A3L		
E	5113	WASHER – FLAT		
F	184701	WASHER – FLAT LARGE M5-200HV-A2L		
G	30635	WASHER – FLAT REG M10-STL-SOFT-A2L		
H	135852	SCREW – HEX SOC BTN HD M10 X 1.5 X 25-12.9-A3L		
J	135799	NUT – HEX FLG CTR LOC M10 X 1.5-10-A3L		
K	135723	SCREW – HEX SOC BTN HD M10 X 1.5 X 20-10.9-A3L		
L	184711	WASHER – FLAT REG M10-200HV-A3L		
M	30628	BOLT – HEX HD M10 X 1.5 X 35-8.8-A3L		
N	181511	BOLT – HEX HD M16 X 2 X 75-10.9-A3L		
P	152520	NUT – HEX FLG TECH LOC M16 X 2-10-A3L		
Q	184717	WASHER – FLAT REG M16-200HV-A3L		
R	184678	BOLT – HEX HD M16 X 2 X 120-8.8-A3L		

66. Comes assembled with latch (MD #135815), lynch pin (MD #246583), shield anchor cable (MD #224605), and hardware.

67. Kit includes two bushings (MD #221997), lubrication fitting (MD #7782), straight pin (MD #281644), eye bolt (MD #224587), and hardware (MD #30655 and 30505).

ROLL CONDITIONER – HEADER ATTACHMENT

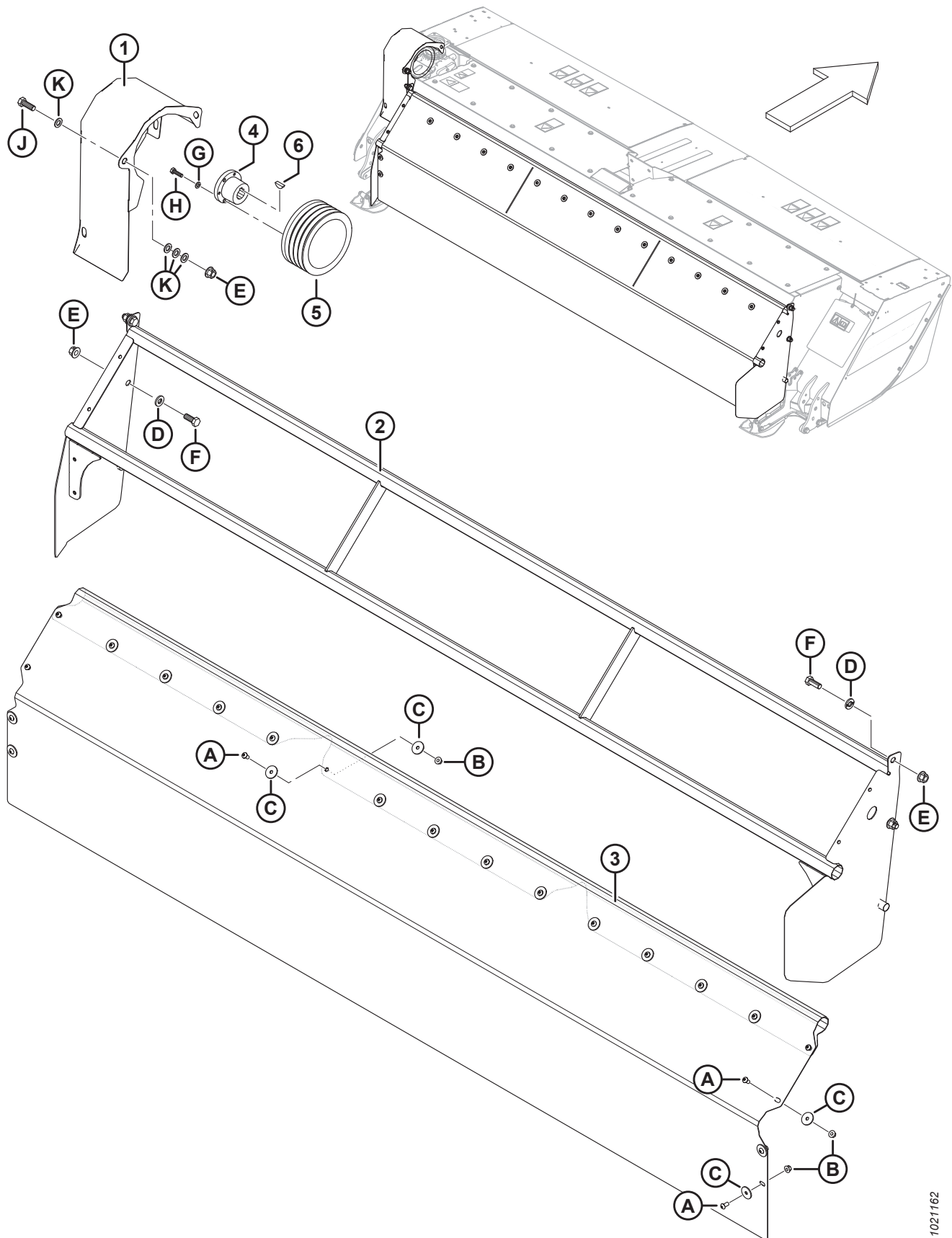


1033404

ROLL CONDITIONER – HEADER ATTACHMENT

Ref	Part Number	Description	Qty	Serial Number
S	30655	WASHER – HARD ASTM F436 M10-340HV-AB2C		
T	30505	NUT – HEX M10 X 1.5-10-A3L		

17 No Conditioner Option – Shields



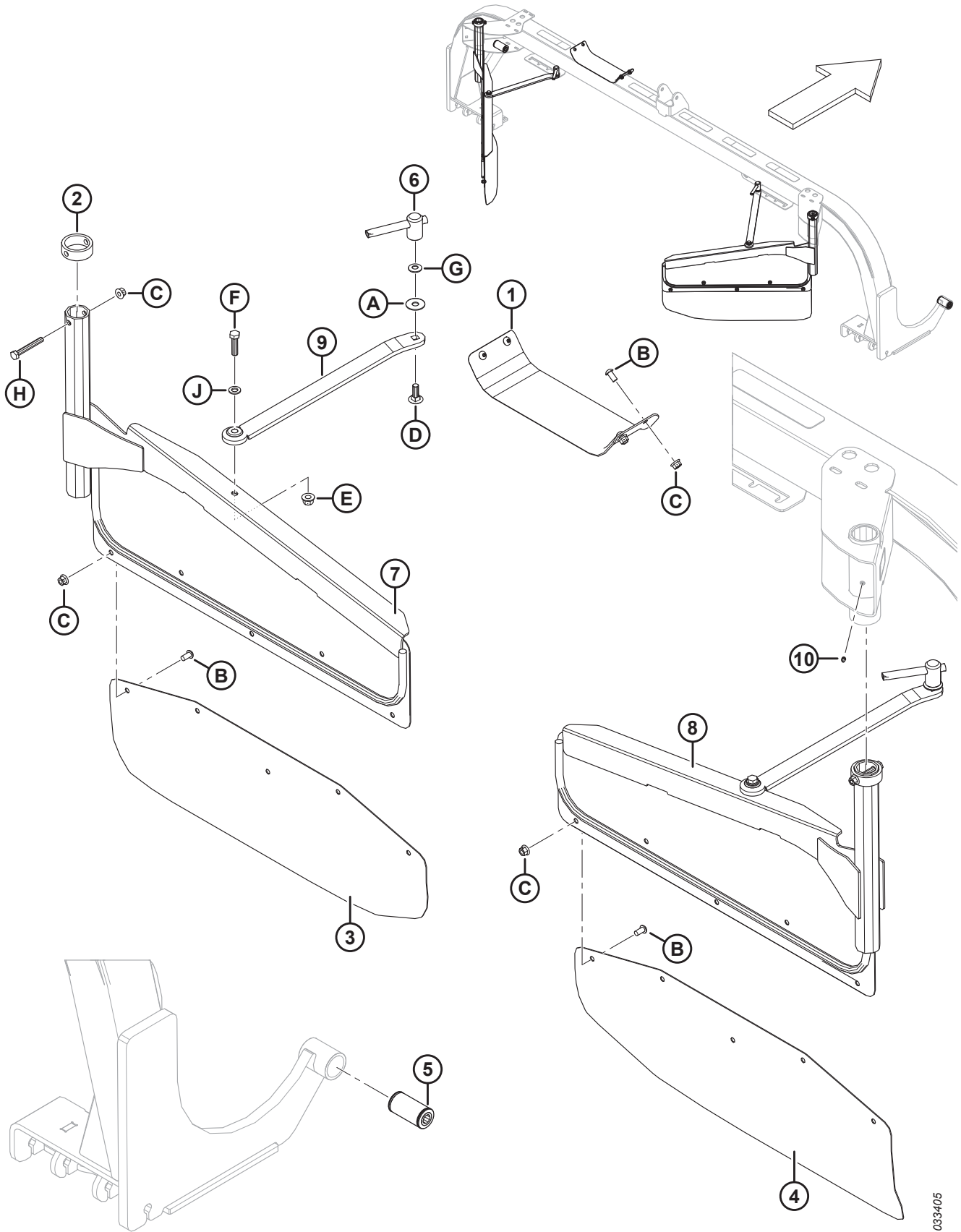
NO CONDITIONER OPTION – SHIELDS

Ref	Part Number	Description	Qty	Serial Number
	B5818	KIT – NO CONDITIONER ⁶⁸		
1	256442	COVER – DRIVE, WELDT	1	
2	224327	FRAME – NO COND SHIELDS, WELDT	1	
3	224320	SHIELD – CURTAIN	1	
4	246845	BUSHING	1	
5	281073	PULLEY – 4 HB ⁶⁹	1	
6	281315	KEY – WOODRUFF (10 X 32 NOM.)	1	
A	135723	BOLT – BUTTON HD HEX SOCKET ZP M10 X 20		
B	135799	NUT – HEX FLG CTR LOC M10 X 1.5-10-A3L		
C	136428	WASHER – FLAT LARGE M10-200HV-A3L		
D	320226	WASHER – HARD M16-360HV-ZINC		
E	136440	NUT – HEX FLG CTR LOC M16 X 2-10-A3L		
F	111528	BOLT – HEX HD TFL M16 X 2 X 40-8.8-A3L		
G	184711	WASHER – FLAT REG M10-200HV-A3L		
H	30628	BOLT – HEX HD M10 X 1.5 X 35-8.8-A3L		
J	136132	BOLT – HEX HD TFL M16 X 2 X 45-8.8-A3L		
K	184717	WASHER – FLAT REG M16-200HV-A3L		

68. Kits available through Whole Goods only.

69. Pulley is factory-installed and not included in bundle B5818.

18 Adapter Frame

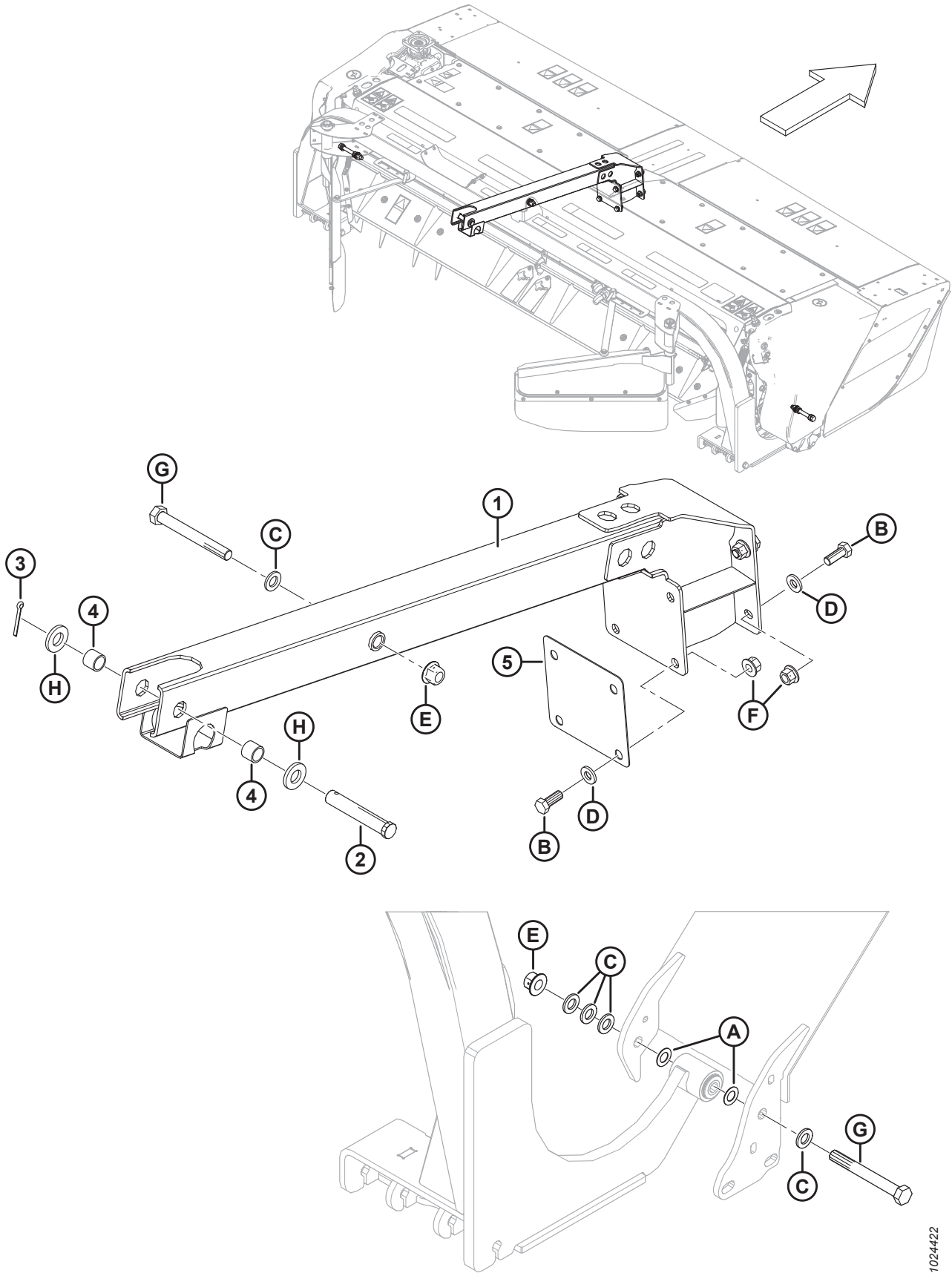


1033405

ADAPTER FRAME

Ref	Part Number	Description	Qty	Serial Number
1	146474	SUPPORT – HOSE	1	
2	257112	TUBE – CAP	2	
3	224761	SHIELD	1	
4	224762	SHIELD	1	
5	246198	BUSHING – RUBBER	2	
6	247693	ASSEMBLY – HANDLE	2	
7	256024	DEFLECTOR – LH WELDT	1	
8	256029	DEFLECTOR – RH WELDT	1	
9	256054	BAR – ADJUSTMENT WELDT	2	
10	18671	FITTING – LUBE	2	
A	32247	WASHER – FLAT		
B	135723	SCREW – HEX SOC BTN HD M10 X 1.5 X 20-10.9-A3L		
C	135799	NUT – HEX FLG CTR LOC M10 X 1.5-10-A3L		
D	136291	BOLT – RHSN TFL M12 X 1.75 X 35-8.8-A3L		
E	136431	NUT – HEX FLG CTR LOC M12 X 1.75-10-A3L		
F	136881	BOLT – HEX HD M12 X 1.75 X 45-10.9-A3L		
G	184596	WASHER – CON SPRING M12A STL		
H	184659	BOLT – HEX HD M10 X 1.5 X 75-8.8-A3L		
J	184714	WASHER – FLAT REG M12-300HV-A3L		

19 Center-Link and Adapter to Header Connections



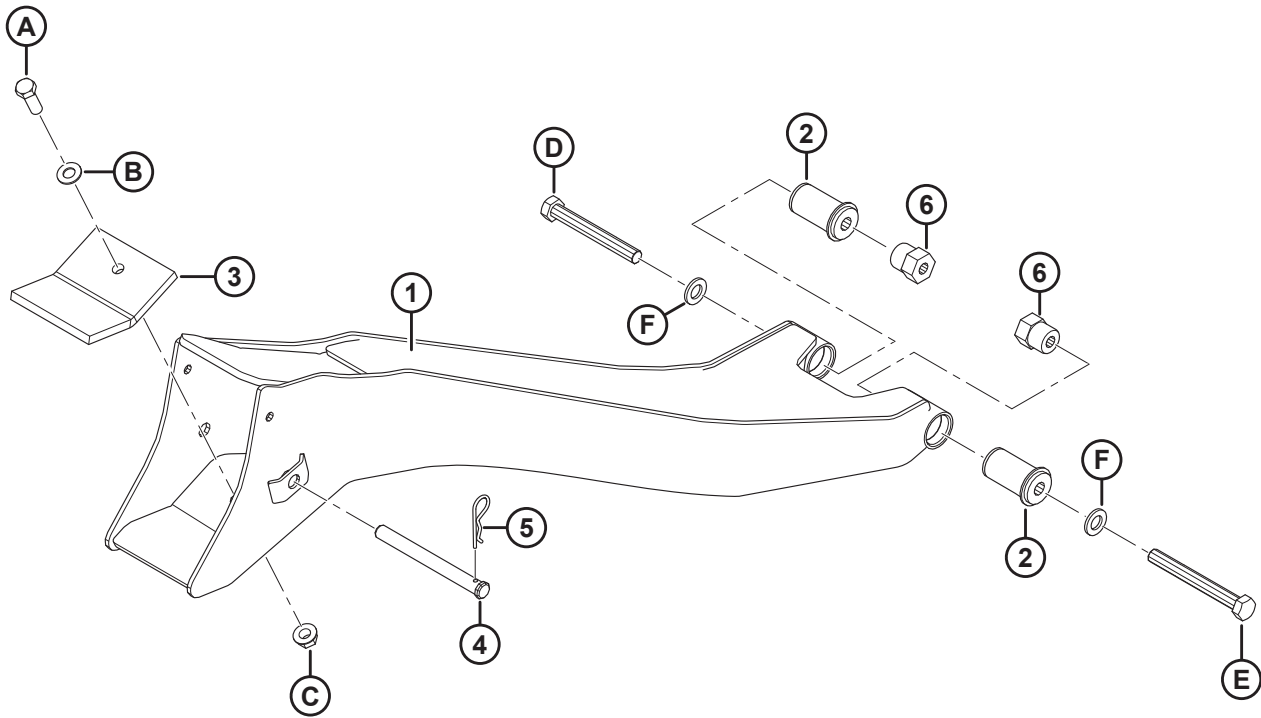
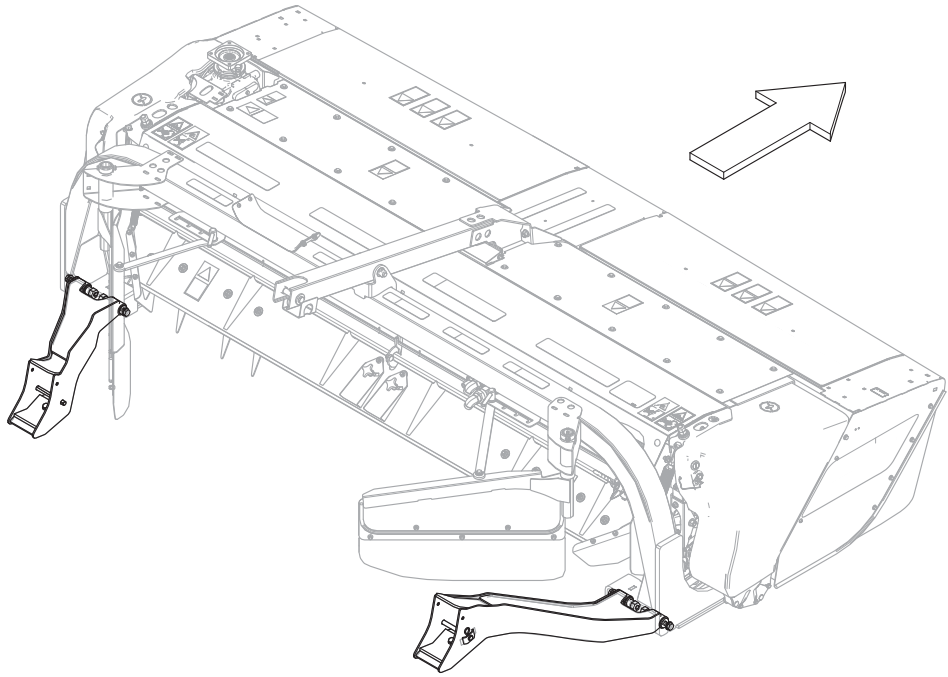
CENTER-LINK AND ADAPTER TO HEADER CONNECTIONS

Ref	Part Number	Description	Qty	Serial Number
1	256246	ANCHOR – CENTER-LINK	1	
2	49341	PIN – CLEVIS	1	
3	18609	PIN – COTTER 1/4 DIA X 2 ZP	1	
4	136690	SPACER	2	
5	256516	PLATE – SHIM ⁷⁰	A/R	
A	5113	WASHER – FLAT ⁷¹		
B	111528	BOLT – HEX HD TFL M16 X 2 X 40-8.8-A3L		
C	112130	WASHER – HARD ASTM F436 3/4-400HV-AB3C		
D	120901	WASHER – HARD L9 SPCL 5/8-82/85 HR15N-AB3C		
E	136122	NUT – HEX FLG CTR LOC M20 X 2.5-10-A3L		
F	136440	NUT – HEX FLG CTR LOC M16 X 2-10-A3L		
G	136650	BOLT – HEX HD M20 X 2.5 X 170-8.8-A3L		
H	174858	WASHER – FLAT		

70. Shim as needed only at rear of center-link anchor (MD #256246), maximum 2 mm gap.

71. Washer (1.2 mm thick) used as a shim. Insert washers as required evenly on both sides of the header to minimize the gap on each side of the rubber bushings between frame plates before tightening bolts.

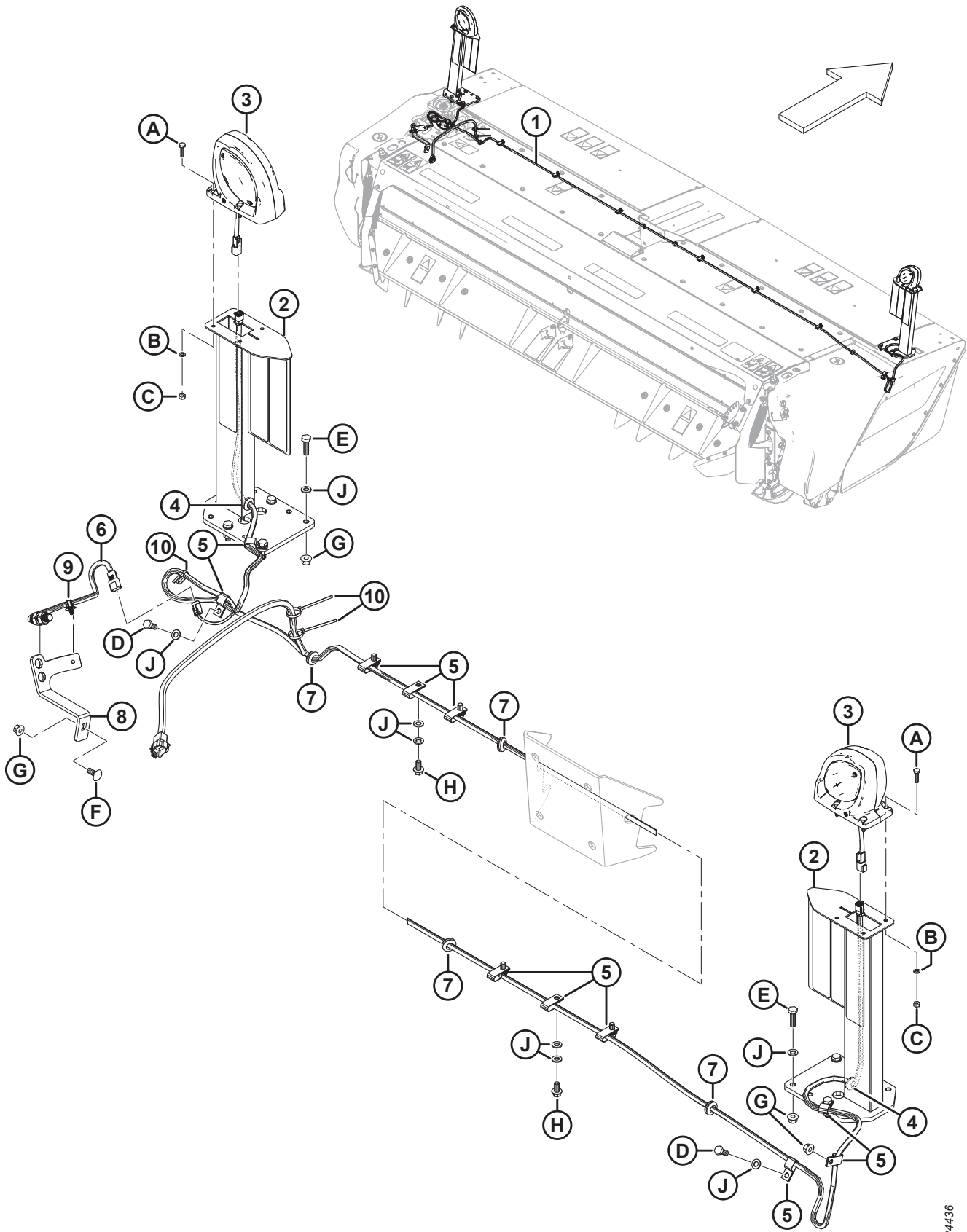
20 Lift Assembly



LIFT ASSEMBLY

Ref	Part Number	Description	Qty	Serial Number
1	256047	MEMBER – BOOT C/W BUSHINGS, RH	1	
	256046	MEMBER – BOOT C/W BUSHINGS, LH	1	
2	149342	BUSHING – RUBBER	4	
3	150454	PAD – RUBBER	2	
4	135408	PIN – CLEVIS	2	
5	13125	PIN – HAIR	2	
6	257186	SPACER – MACHINED	4	
A	21582	BOLT – HH 5/8 NC X 1.75 LG GR5 ZP		
B	18600	WASHER – SAE FLAT 21/32 ID X 1 5/16 IN OD ZP		
C	50225	NUT – FLANGE DT SMOOTH FACE .625-11 UNC		
D	30743	BOLT – HH 3/4 NC X 6.0 LG GR 5 ZP		
E	30387	BOLT – HH 3/4 NC X 6.5 LG GR 5 ZP		
F	112130	WASHER – HARD ASTM F436 3/4-400HV-AB3C		

21 Wiring Assembly



1024436

WIRING ASSEMBLY

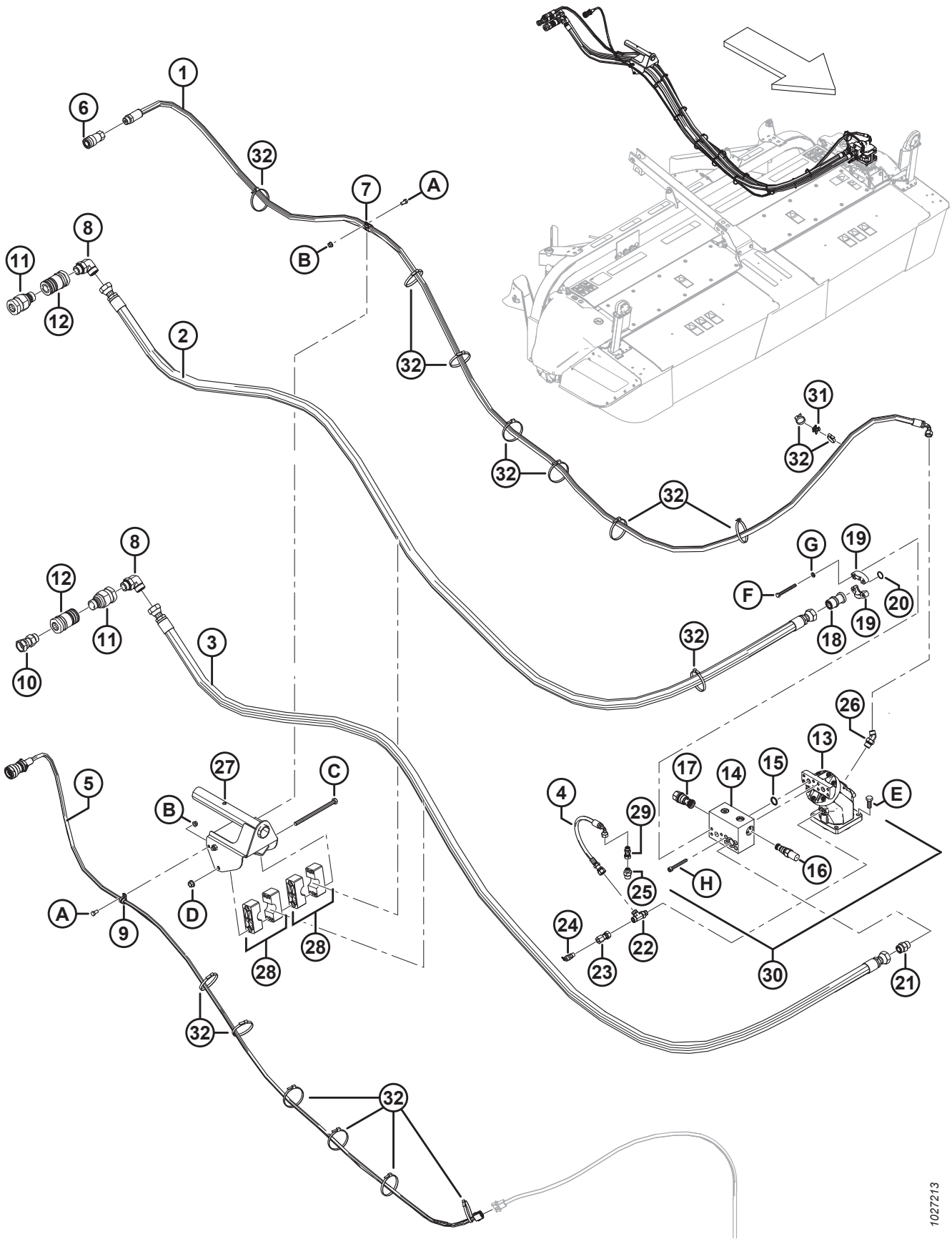
NOTE:

For electrical harness parts, refer to Electrical Connector Parts Catalog (MD #169641).

Ref	Part Number	Description	Qty	Serial Number
1	256584	HARNESS – R1 SP	1	
2	256338	ASSEMBLY – LAMP, MOUNT ⁷²	2	
3	203547	LAMP – CLEARANCE, DT CONNECTOR	2	
	139630	LENS – AMBER		
4	256545	GROMMET	2	
5	135233	CLAMP – DOUBLE HOSE INSULATED	11	
6	136167	SENDER – SPEED	1	
7	206482	GROMMET	4	
8	257028	BRACKET – SPEED SENSOR	1	
9	136655	FASTENER – FIR TREE MT C/W TIE	1	
10	21763	FASTENER – CABLE TIE, BLACK	3	
A	21573	BOLT – HEX HD 1/4 NC X 1.0 LG GR 5 ZP		
B	18635	WASHER – REG. LOCK 1/4 IN. NOM. ID ZP		
C	18588	NUT – HEX 1/4-20 UNC GR 5 ZP		
D	30627	BOLT – HEX HD TFL M10 X 1.5 X 25-8.8-A3L		
E	30628	BOLT – HEX HD M10 X 1.5 X 35-8.8-A3L		
F	135785	BOLT – RHSN M10 X 1.5 X 25-8.8-A3L		
G	135799	NUT – HEX FLG CTR LOC M10 X 1.5-10-A3L		
H	152655	BOLT – HEX FLG HD M10 X 1.5 X 20-8.8-A3L		
J	184711	WASHER – FLAT REG M10-200HV-A3L		

72. Lamp mount assembly includes three reflectors (MD #115145, 115146, and 115147).

22 Hydraulic Drive – R113 and R116 to M1170



HYDRAULIC DRIVE – R113 AND R116 TO M1170

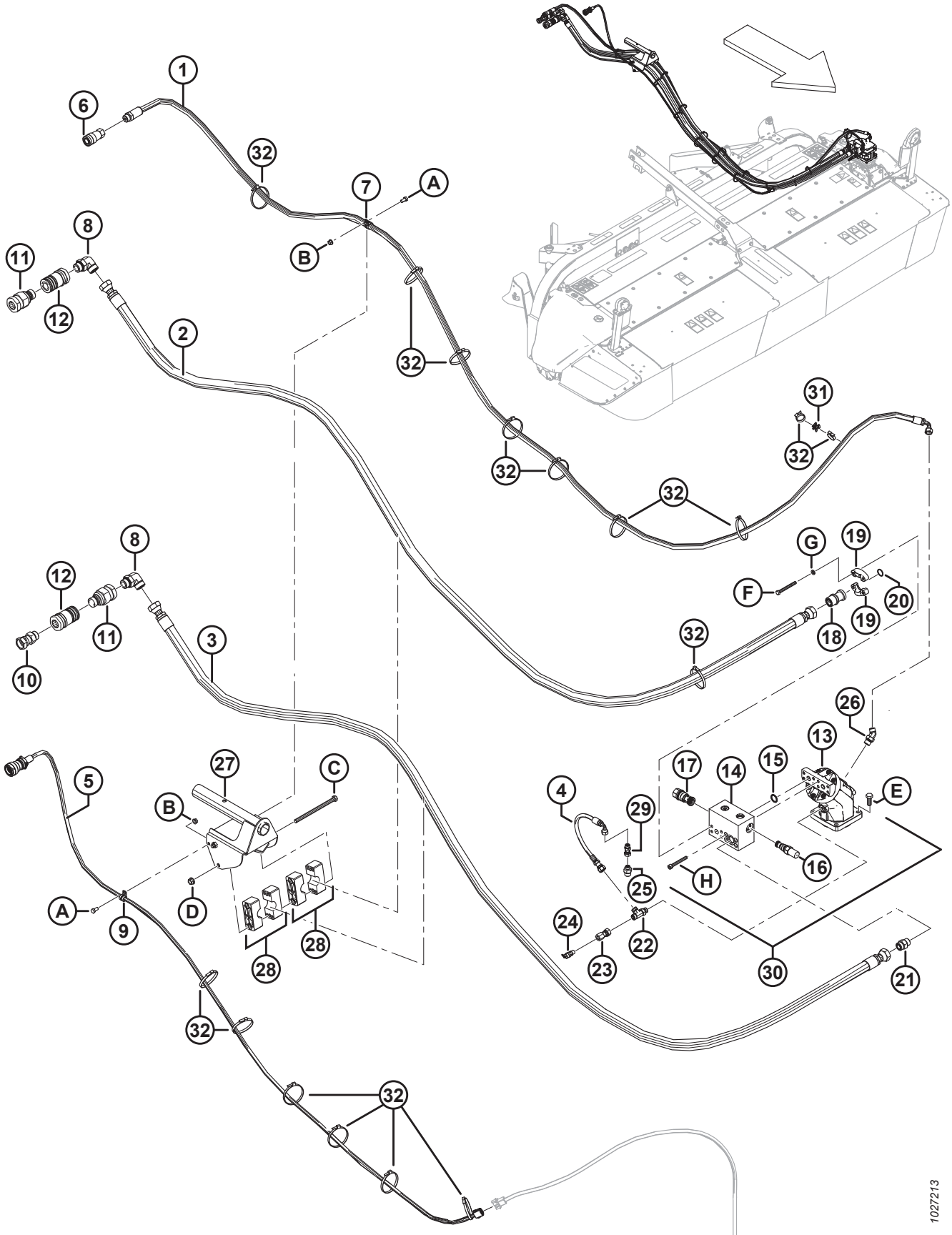
Ref	Part Number	Description	Qty	Serial Number
	B6621	KIT – R1 TO M1170 HYDRAULIC DRIVE ⁷³		
1	256110	HOSE – CASE DRAIN, 1/2 IN. DIA., 4660 MM LG	1	
2	256108	HOSE – HYD. HIGH PRESSURE, 1 IN. I.D., 4985 MM LG	1	
3	256109	HOSE – HYDRAULIC RETURN, 1 IN. I.D., 4130 MM LG	1	
4	256621	HOSE – DRAIN, 1/4 IN. DIA., 430 MM LG	1	
5	256586	HARNESS – M1 TO R1 DISC HEADER	1	
6	135474	COUPLER – HYDRAULIC, 1/2 IN. FEMALE FF	1	
7	135709	CLAMP – INSULATED 3/4 IN.	1	
8	135734	FITTING – ELBOW 90° HYD	2	
	50220	O-RING – #16 ORB		
	135554	O-RING – #16 ORFS		
9	135818	CLAMP – INSULATED 1/2 IN.	1	-421189
	135709	CLAMP – INSULATED 3/4 IN.	1	421190-
10	136362	FITTING – ADAPTER	1	
	50220	O-RING – #16 ORB		
11	136412	FITTING – COUPLING MALE 1 IN.	2	
12	136413	FITTING – COUPLING FEMALE 1 IN.	2	
13	198610	MOTOR – HYDRAULIC (BOSCH-REXROTH) ⁷⁴	1	
	236535	SEAL KIT		
14	236634	MANIFOLD – RELIEF ⁷⁵	1	
15	150595	O-RING – 0.984 IN. ID X 0.139 IN. WALL	2	
16	236538	VALVE – RELIEF	1	
17	236684	VALVE – CHECK	1	
18	135550	FITTING – 3/4 IN CD 62 X #16 MALE ORS C/W O-RING	1	
19	194026	FLANGE – HALF SPLIT 3/4 IN.-CODE 62	2	
20	150595	O-RING – 0.984 IN. ID X 0.139 IN. WALL	1	
21	135790	FITTING – ADAPTER	1	
	30971	O-RING – #12 ORB		
	135554	O-RING – #16 ORFS		
22	136258	FITTING – TEE HYD	1	
	44209	O-RING – #8 ORB		
	135866	O-RING – #8 ORFS		
23	252688	FITTING – ADAPTER	1	
24	120377	VALVE – RELIEF	1	
25	184462	FITTING – ADAPTER 6 MORFS X 10 MORB	1	
	44210	O-RING – #10 ORB		
	135865	O-RING – #6 ORFS		

73. Kits available through Whole Goods only.

74. If replacing the superseded Parker motor (MD #194100), order Motor kit (MD #257149), which includes motor (MD #198610), relief manifold (MD #236634), fittings (MD #135790 and 136258), and hardware (MD #136108, 30632, and 136354).

75. Manifold includes check valve (MD #236684), relief valve (MD #236538), and two O-rings (MD #150595).

HYDRAULIC DRIVE – R113 AND R116 TO M1170



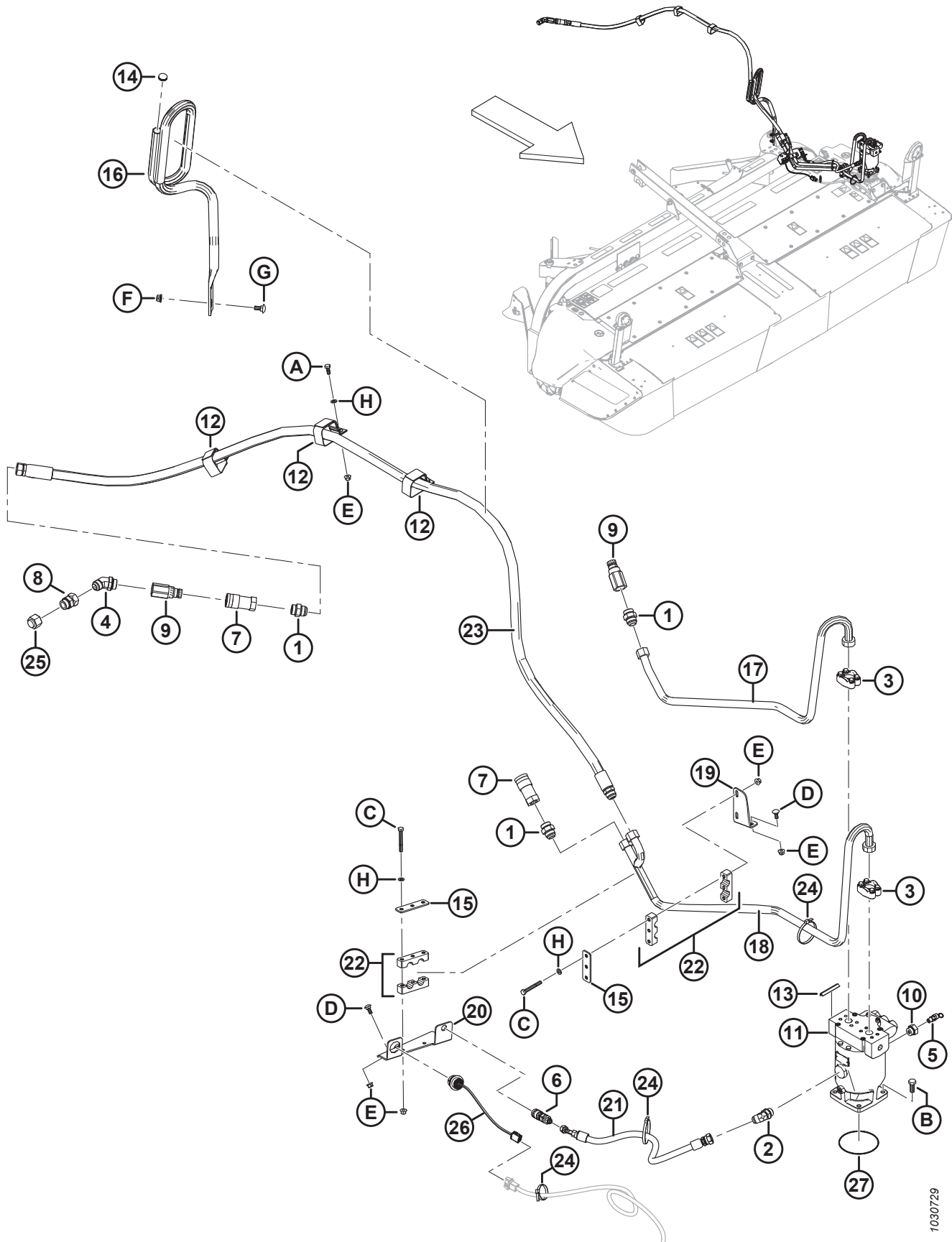
1027213

HYDRAULIC DRIVE – R113 AND R116 TO M1170

Ref	Part Number	Description	Qty	Serial Number
26	136438	FITTING – ELBOW 45° HYD #8 ORFS/#8 ORB	1	
	44209	O-RING – #8 ORB		
	135866	O-RING – #8 ORFS		
27	272233	SUPPORT – WELDT	1	
28	272251	CLAMP – PAIR	2	
29	136226	FITTING – HYD 0.062 IN. ORIFICE	1	
	135865	O-RING – #6 ORFS		
30	257149	KIT – MOTOR, FITTINGS, AND HARDWARE ⁷⁶	A/R	
31	134442	SPACER – DUAL SWIVEL SADDLE	1	
32	30753	FASTENER – CABLE TIE, BLACK	18	
A	21567	BOLT – HEX HD .375-16 UNC X 0.75 LG		
B	30228	NUT – FLANGE DT SMOOTH FACE 0.375-16 UNC		
C	135976	BOLT – HH 1/2 NC X 8 LG GR5 ZP		
D	50186	NUT – FLANGE LOCK SM FACE DT 0.500-13 UNC GR5		
E	135491	BOLT – HEX HD TFL M14 X 2 X 35-8.8-A3L		
F	136354	SCREW – HEX SOC HD ISO 4762 M10		
G	30632	WASHER – LOCK SPRING M10		
H	136108	SCREW – HEX SOC HD M10 X 1.5 X 80-12.9-BO		

76. This kit is required if replacing the superseded Parker motor (MD #194100). The kit includes motor (MD #198610), relief manifold (MD #236634), fittings (MD #135790 and 136258), and hardware (MD #136108, 30632, and 136354).

23 Hydraulic Drive – R113 and R116 to M155E4



1030729

HYDRAULIC DRIVE – R113 AND R116 TO M155E4

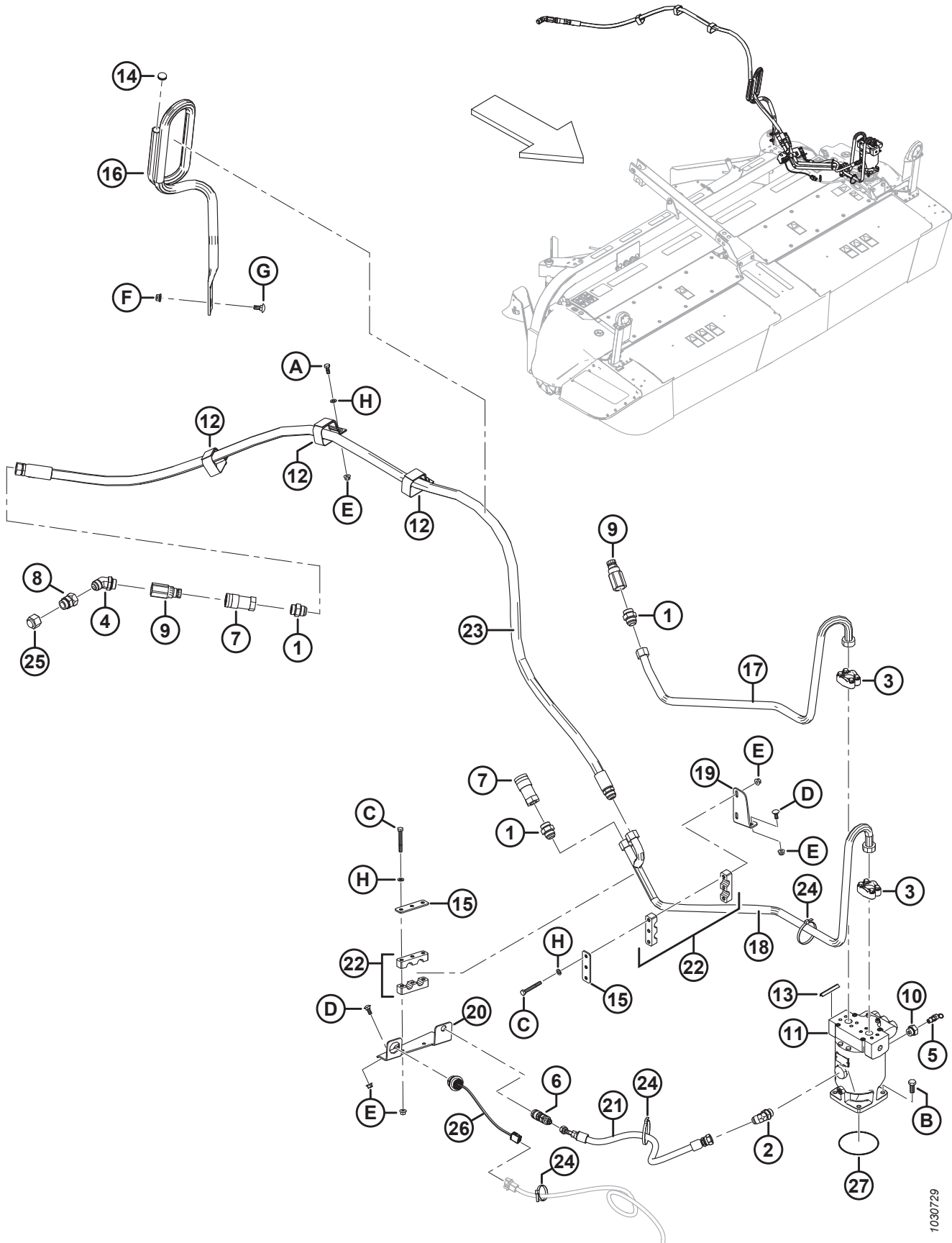
Ref	Part Number	Description	Qty	Serial Number
	B6272	KIT – R1 TO M155E4 HYDRAULIC DRIVE ⁷⁷		
1	21828	FITTING – ADAPTER HYD	3	
2	50098	FITTING – ELBOW 45° HYD, C/W O-RING	1	
3	112866	KIT – SPLIT FLANGE, 1 IN., C/W HARDWARE	2	
	194033	FLANGE – HALF SPLIT 1 IN.		
	30191	WASHER – HARDENED ASTM F436 3/8		
	252640	BOLT – HH 3/8-16 X 1.25-GR8-AA3L		
	112868	O-RING – 1.296 IN. ID X 0.139 IN. WALL		
4	112936	FITTING – ELBOW 45° HYD, C/W O-RING	1	
5	120377	VALVE – RELIEF	1	
6	135213	COUPLING – FEMALE HYD. 3/8 FLAT FACE BULKHEAD	1	
7	135313	COUPLER – FEMALE HYD. 3/4 IN. FLAT FACE	2	
8	135316	FITTING – ADAPTER HYD C/W O-RING	1	
9	135544	COUPLER – MALE HYD. 3/4 IN. FLAT FACE 1 IN THREAD	2	
	135479	SEAL KIT		
10	135560	FITTING – ADAPTER HYD C/W O-RING	1	
11	150487	MOTOR – HYD	1	
	150879	SHAFT SEAL		
12	163585	STRAP – VELCRO, HANGING	3	
13	194082	MOULDING	1	
14	194389	PLUG – TUBE FINISHING	1	
15	256203	PLATE – STAUFF CLAMP	2	
16	256204	GUIDE – HOSE SUPPORT	1	
17	256240	LINE – RETURN	1	
18	256241	LINE – HIGH PRESSURE	1	
19	256292	SUPPORT – TUBE	1	
20	256315	SUPPORT – HYDRAULIC BRACKET	1	
21	256324	HOSE – SP CASE DRAIN, 1/2 IN. I.D., 740 MM LG	1	
22	256335	CLAMP – HEAVY TWIN PROFILED PAIR	2	
23	256585	HOSE – PRESSURE, 3/4 IN. I.D., 3250 MM LG	1	
24	30753	FASTENER – CABLE TIE, BLACK	3	
25	30905	CAP NUT – 1 IN.TUBE 37° FLARE	1	
26	139071	HARNESS	1	
27	257150	O-RING – 2.50 X 134.00 ⁷⁸	1	–321189
	257061	SEAL – DOUBLE LIP ⁷⁹	1	321190–
A	30627	BOLT – HEX HD TFL M10 X 1.5 X 25-8.8-A3L		
B	135491	BOLT – HEX HD TFL M14 X 2 X 35-8.8-A3L		

77. Kits available through Whole Goods only.

78. Service part for Gearbox kit (MD #257174). Ensure the correct part is used. O-ring (MD #257150) and seal (MD #257061) are **NOT** interchangeable.

79. Service part for Gearbox kit (MD #257187). Ensure the correct part is used. O-ring (MD #257150) and seal (MD #257061) are **NOT** interchangeable.

HYDRAULIC DRIVE – R113 AND R116 TO M155E4

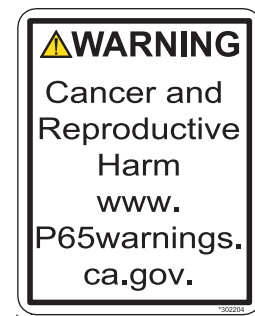
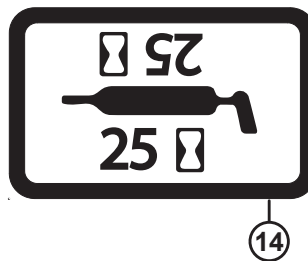
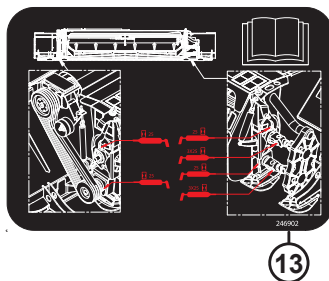
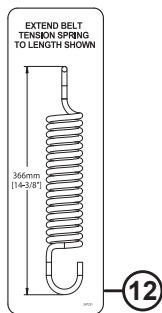


1030729

HYDRAULIC DRIVE – R113 AND R116 TO M155E4

Ref	Part Number	Description	Qty	Serial Number
C	135657	BOLT – HEX HD M10 X 1.5 X 80-8.8-A3L		
D	135785	BOLT – RHSN M10 X 1.5 X 25-8.8-A3L		
E	135799	NUT – HEX FLG CTR LOC M10 X 1.5-10-A3L		
F	136431	NUT – HEX FLG CTR LOC M12 X 1.75-10-A3L		
G	184667	BOLT – RHSN M12 X 1.75 X 30-8.8-A3L		
H	184711	WASHER – FLAT REG M10-200HV-A3L		

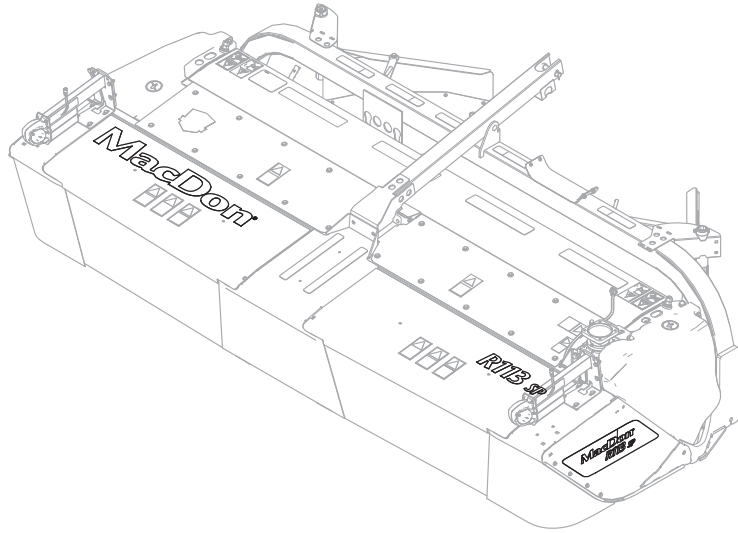
24 Decals – Information and Reflectors



DECALS – INFORMATION AND REFLECTORS

Ref	Part Number	Description	Qty	Serial Number
1	113482	DECAL – GENERAL HAZARD		
2	184372	DECAL – READ MANUAL		
3	184371	DECAL – CHAIN ENTANGLEMENT		
4	166466	DECAL – HIGH PRESSURE FLUID		
5	184385	DECAL – KEEP SHIELDS IN PLACE (SQUARE CORNERS)		
	246956	DECAL – KEEP SHIELDS IN PLACE (ROUND CORNERS)		
6	190546	DECAL – SLIPPERY SURFACE, 2 PANEL		
7	194465	DECAL – STAND CLEAR BLADES, 2 PANEL		
8	194466	DECAL – STAND CLEAR THROWN OBJECTS, 2 PANEL		
9	246959	DECAL – PINCH POINT		
10	247167	DECAL – STOP DRIVE		
11	304865	DECAL – NO LIFT		
12	247231	DECAL – SPRING TENSION		
13	246902	DECAL – GREASE, ROLLER CONDITIONER		
14	23164	DECAL – 25 HR LUBE		
	257190	DECAL – 100 HR LUBE		
15	302204	DECAL – CA PROPOSITION 65		
16	115145	REFLECTOR – FLUORESCENT RED-ORANGE		
	115146	REFLECTOR – AMBER		
	115147	REFLECTOR – RED		
17	132117	STRIP – ANTI SLIP (450 MM LG, 50 MM WIDE)		
	132898	STRIP – ANTI SLIP (450 MM LG, 80 MM WIDE)		

25 Decals – Product Identification, R113



R113 SP — ②

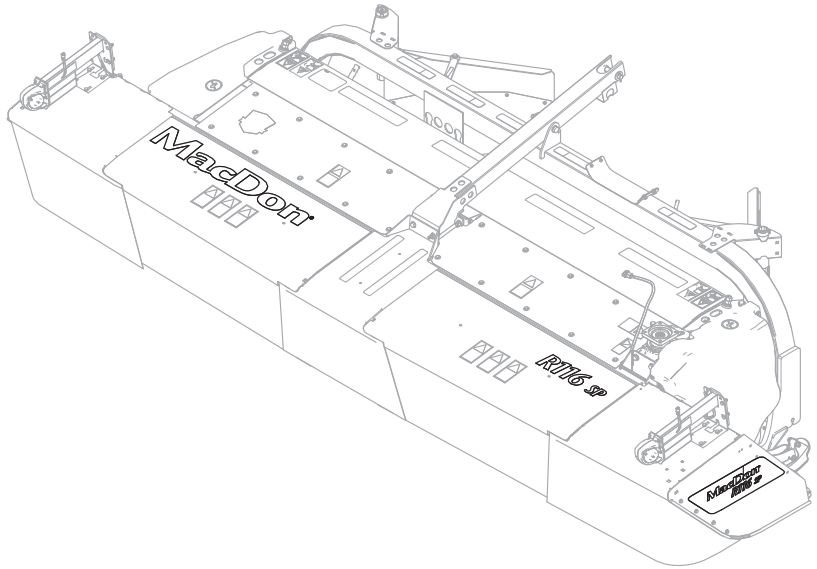
MacDon® — ③

DECALS – PRODUCT IDENTIFICATION, R113

Ref	Part Number	Description	Qty	Serial Number
1	246896	DECAL – LH, END PANEL ⁸⁰	1	
	246897	DECAL – RH, END PANEL ⁸⁰	1	
2	256331	DECAL – END PANEL, R113 SP (WHITE, 221 MM LG)	2	
	256333	DECAL – TOP, R113 SP (WHITE, 468 MM LG)	1	
3	246997	DECAL – TOP, MACDON (WHITE, 1140 MM LG)	1	

80. Requires R113 SP end panel decal (MD #256331).

26 Decals – Product Identification, R116



R116 SP — ②

MacDon® — ③

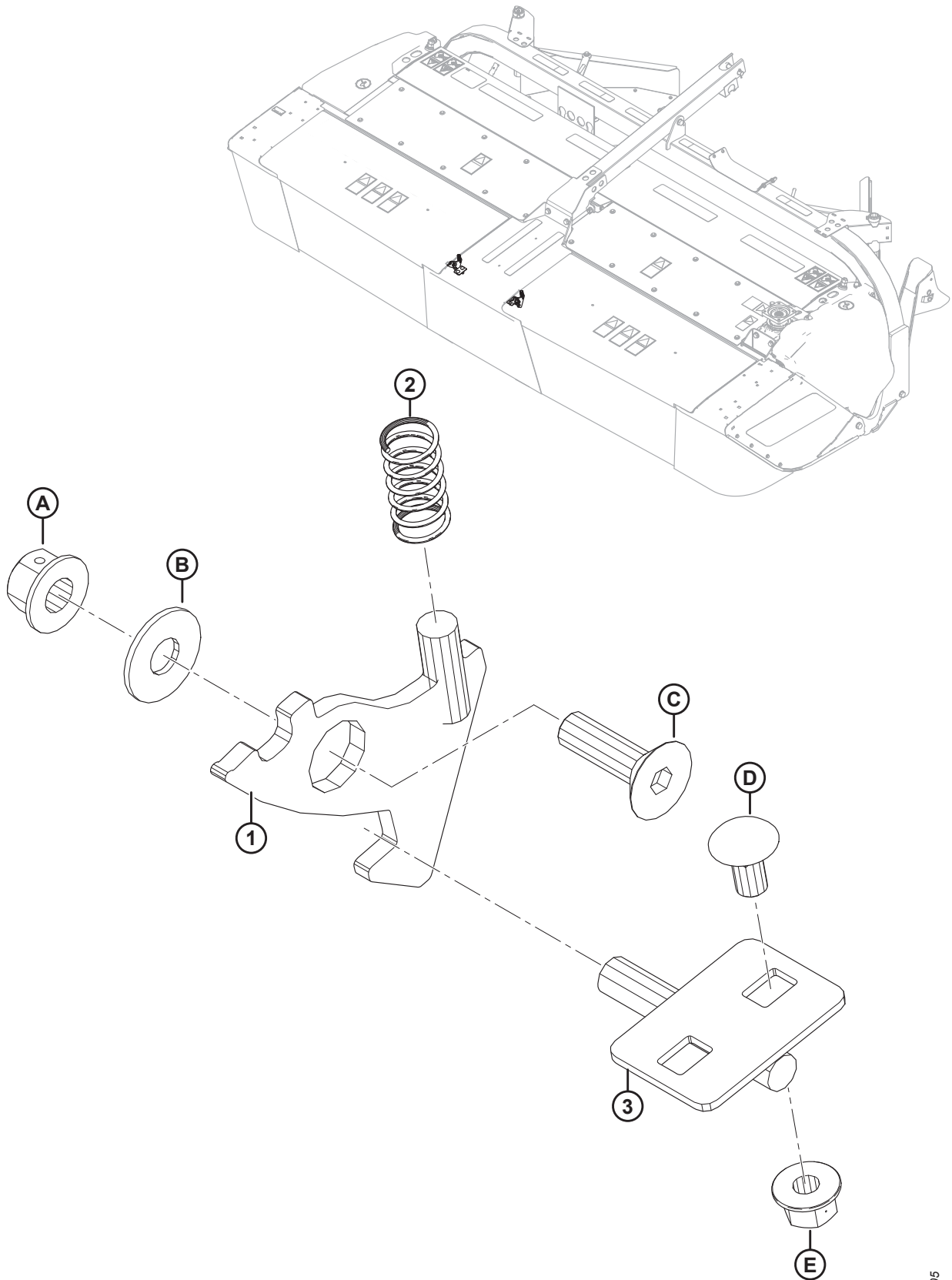
1027122

DECALS – PRODUCT IDENTIFICATION, R116

Ref	Part Number	Description	Qty	Serial Number
1	246896	DECAL – LH, END PANEL ⁸¹	1	
	246897	DECAL – RH, END PANEL ⁸¹	1	
2	256332	DECAL – END PANEL, R116 SP (WHITE, 221 MM LG)	2	
	256334	DECAL – TOP, R116 SP (WHITE, 468 MM LG)	1	
3	246997	DECAL – TOP, MACDON (WHITE, 1140 MM LG)	1	

81. Requires R116 SP end panel decal (MD #256332).

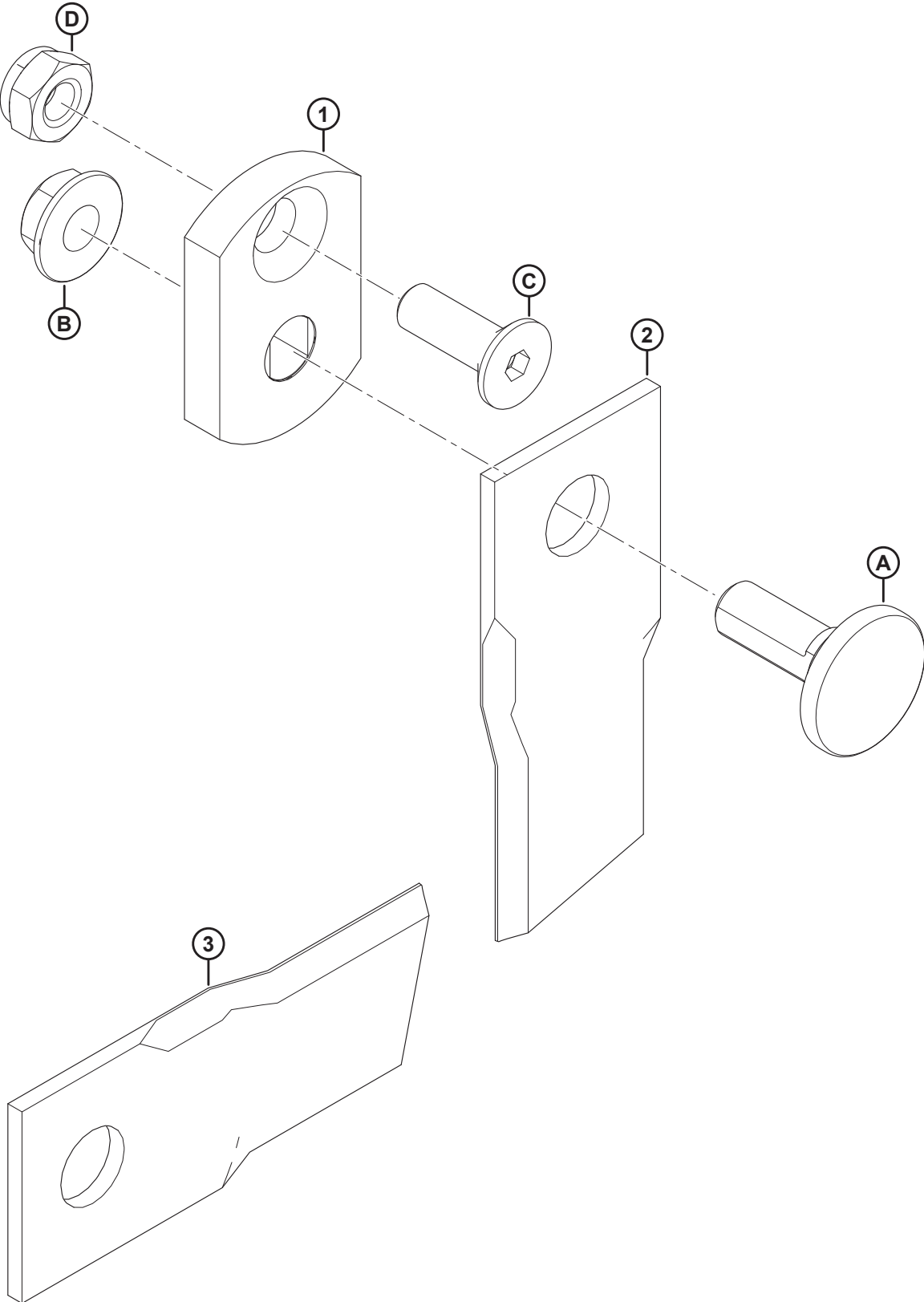
27 Tool Operated Latches – Export Only



TOOL OPERATED LATCHES – EXPORT ONLY

Ref	Part Number	Description	Qty	Serial Number
1	246352	PLATE	2	
2	35618	SPRING – COMPRESSION	2	
3	247315	LATCH – WELDMENT	2	
A	136431	NUT – HEX FLG CTR LOC M12 X 1.75-10-A3L		
B	184587	WASHER – FLAT, 0.5 IN ID, 1.25 IN OD, 0.109 IN THK		
C	136401	SCREW – HEX SOC CSK HD TFL M12 X 1.75 X 40-10.9-AA3L		
D	184657	BOLT – RHSSN M10 X 1.5 X 20-8.8-A3L		
E	135799	NUT – HEX FLG CTR LOC M10 X 1.5-10-A3L		

28 (Option) Blade Lowering Kit

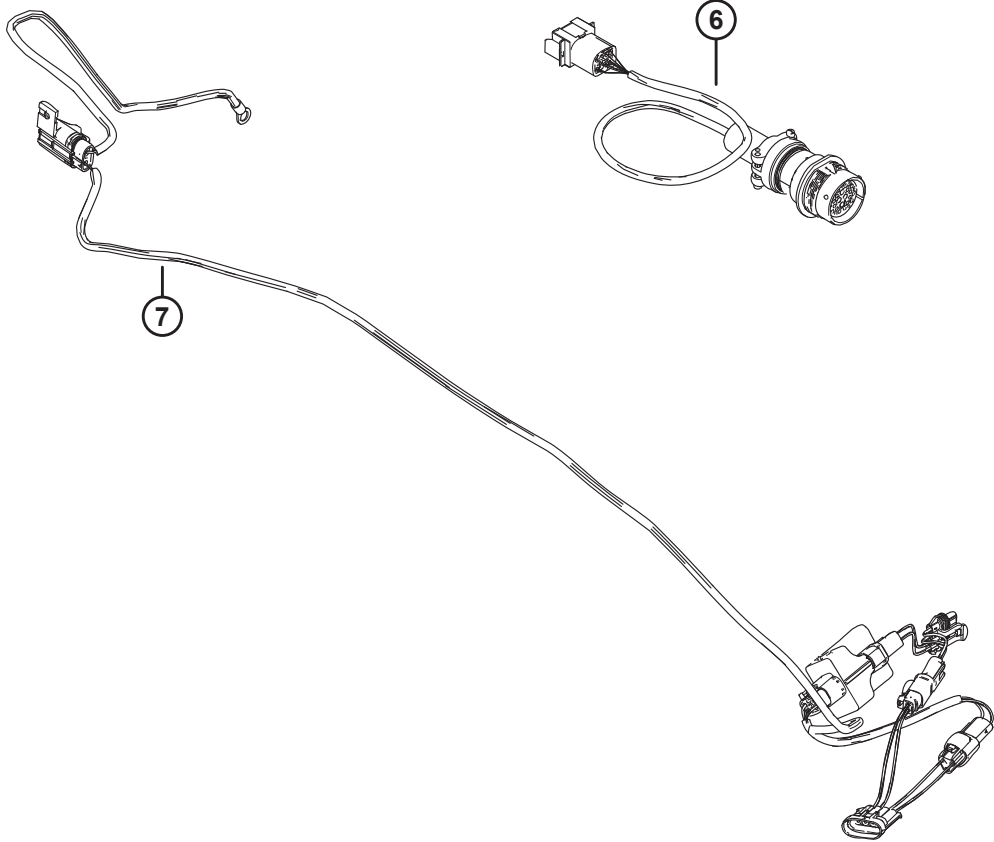
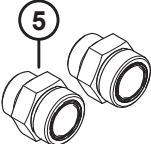
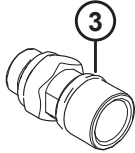
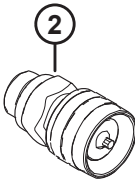
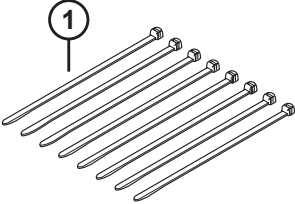


(OPTION) BLADE LOWERING KIT

Ref	Part Number	Description	Qty	Serial Number
	257123	KIT – 18° BLADE LOWERING ⁸²		
1	281606	PLATE – BLADE, 10 MM	24	
2	259200	BLADE – 18° CCW BEVEL DOWN (6 PACK)	4	
3	259199	BLADE – 18° CW BEVEL DOWN (6 PACK)	4	
A	281604	BOLT – BLADE		
B	246300	NUT – BLADE		
C	281605	BOLT – ACCELERATOR		
D	246303	NUT – ACCELERATOR		

82. Kit includes all listed parts and hardware.

29 (Option) R113 SP to M205 Compatibility Kit



(OPTION) R113 SP TO M205 COMPATIBILITY KIT

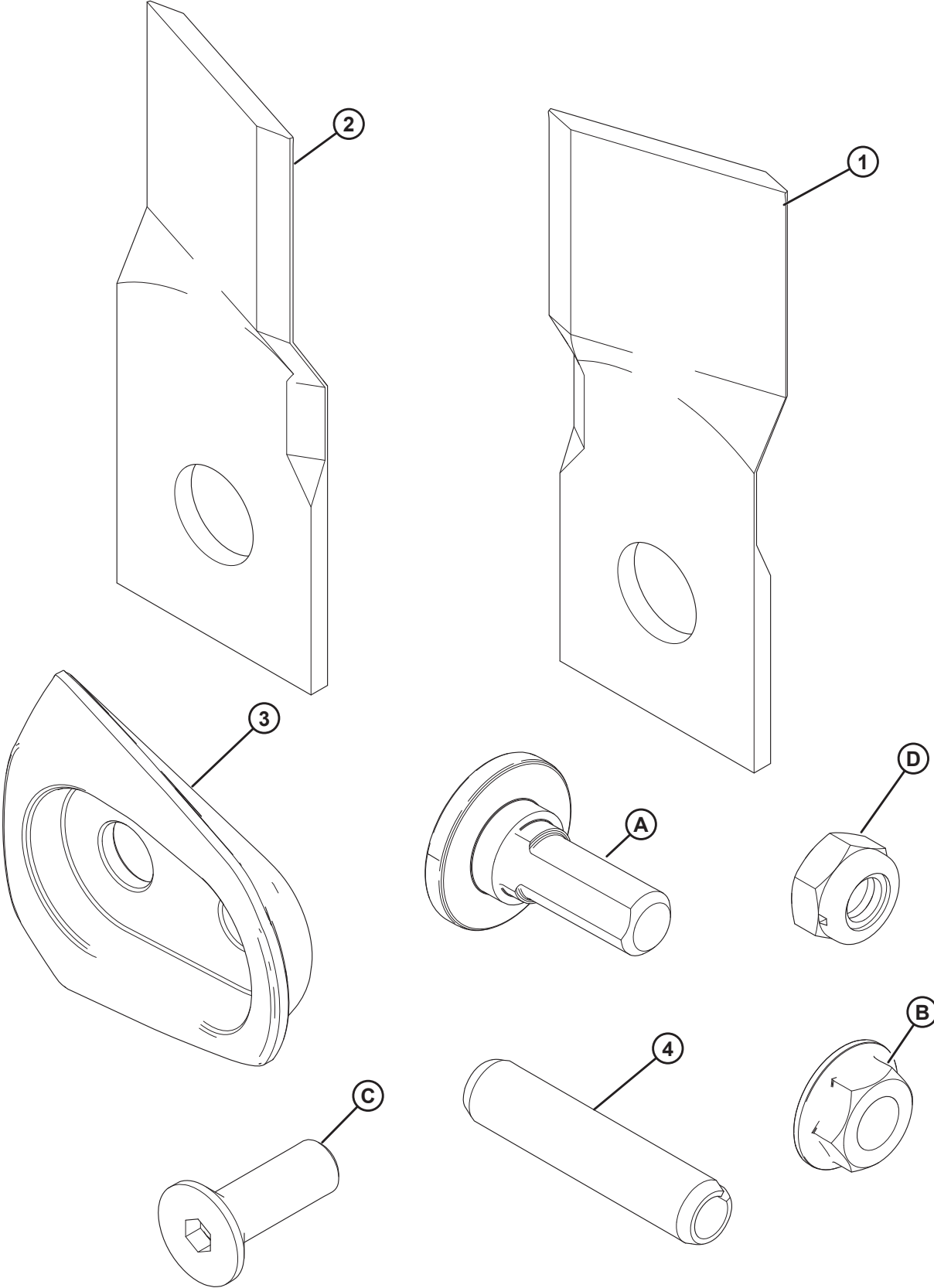
NOTE:

The R113 SP to M205 Compatibility kit is required for R113 Rotary Disc Headers that were originally configured for an M1170 Windrower to operate on an M205 Self-Propelled Windrower.

Ref	Part Number	Description	Qty	Serial Number
	257188	KIT – R113 SP TO M205 CONNECTION ⁸³		
1	21763	FASTENER – CABLE TIE, BLACK	8	
2	138344	COUPLER – HYDRAULIC	1	
	135554	O-RING		
3	138345	COUPLER – HYDRAULIC	1	
	138344	O-RING		
4	159635	VALVE – RELIEF, 75 PSI	1	
5	252232	FITTING – UNION HYD	2	
	135867	O-RING		
	135869	O-RING		
6	256650	HARNESS – R113 TO M205	1	
7	256651	ASSY – PWM MODULE AND POWER	1	

83. Kit includes all listed parts and instructions.

30 (Option) R1 Service Kit



1023715

(OPTION) R1 SERVICE KIT

Ref	Part Number	Description	Qty	Serial Number
	259053	KIT – SERVICE R1 ⁸⁴		
1	259199	BLADE – CW 18° BEVEL DOWN (6 PACK)	4	
2	259200	BLADE – CCW 18° BEVEL DOWN (6 PACK)	4	
3	238227	KIT – 2 GUARDS CW HARDWARE ⁸⁵	4	
4	246295	PIN – SHEAR	2	
A	281604	BOLT – BLADE		
B	246300	NUT – BLADE		
C	281605	BOLT – ACCELERATOR ⁸⁶		
	281965	BOLT – ACCELERATOR ⁸⁷		
D	246303	NUT – ACCELERATOR		

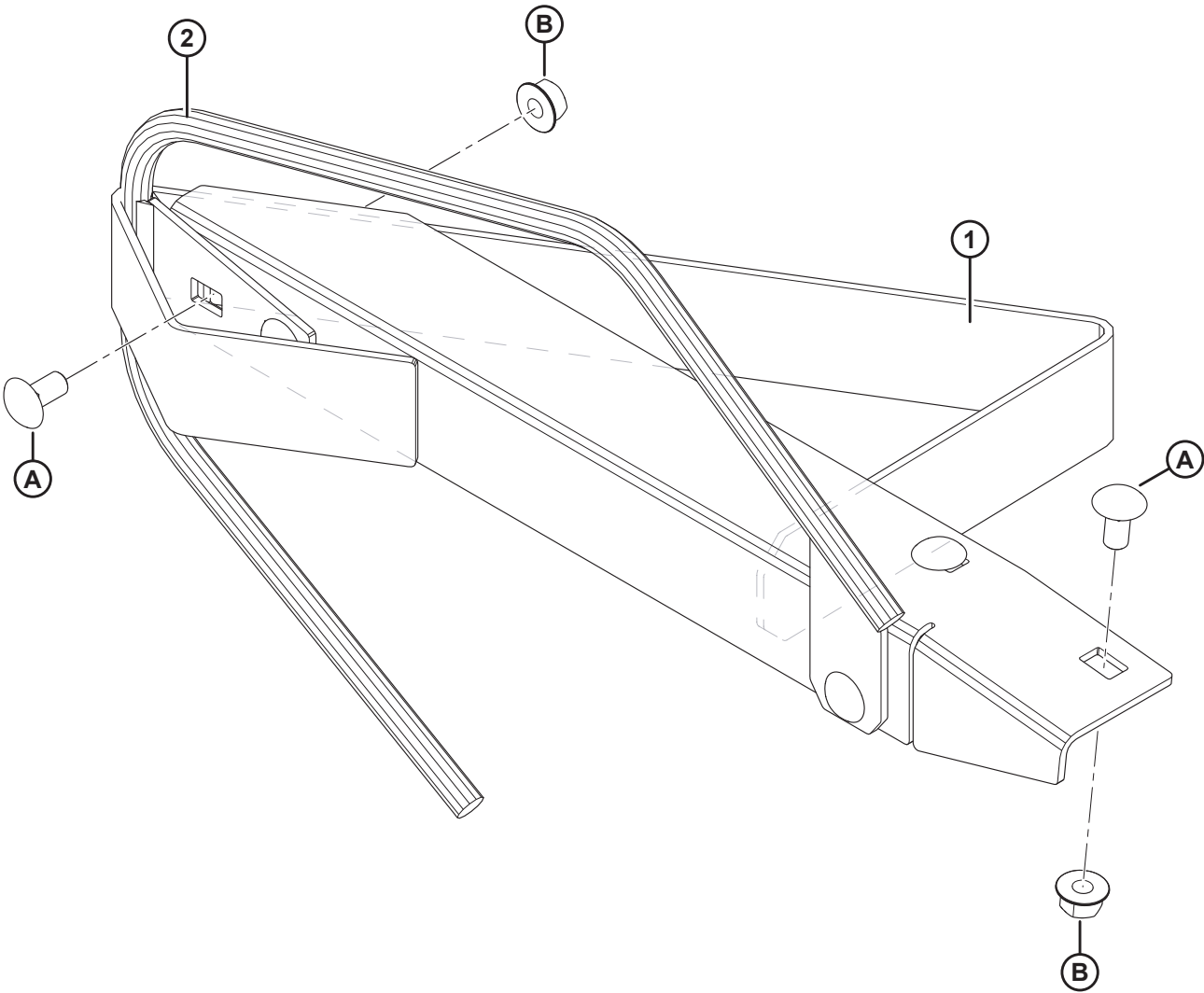
84. Kit is intended to replace all blades and hardware on an R1 Series Rotary Disc Header.

85. This kit includes a matched pair of disc guards (NSS), two accelerator bolts (MD #281965) used with 5 mm shims, two accelerator nuts (MD #246303), and two accelerator bolts (MD #281605) used with 10 mm shims.

86. For use with 10 mm shims.

87. For use with 5 mm shims.

31 (Option) Tall Crop Dividers



(OPTION) TALL CROP DIVIDERS

Ref	Part Number	Description	Qty	Serial Number
	B5800	KIT – TALL CROP DIVIDERS ⁸⁸		
1	223236	DIVIDER WELDMENT – LH	1	
	223248	DIVIDER WELDMENT – RH	1	
2	223232	ROD WELDMENT – CROP DIVIDER	2	
A	152439	BOLT – RHSSN M12 X 1.75 X 25-8.8-A3L		
B	184697	NUT – HEX SER FLG M12 X 1.75-8-A3L		

88. Kits are available through Whole Goods only.

Index

4761	40	112868	62
4762	24, 26	112936	62
5113	44, 52	113482	66
7782	44	113799	34, 40, 44
13125	54	115145	66
16235	36	115146	66
17675	40	115147	66
18588	56	118234	30, 32
18596	30, 32	120377	58, 62
18600	54	120901	52
18609	52	124541	34
18620	34	132117	66
18635	56	132898	66
18648	34, 40	134442	60
18671	34, 50	135155	20, 22
19958	40	135213	62
21567	60	135233	56
21573	56	135313	62
21582	54	135316	62
21763	56, 76	135337	20, 22
21828	62	135369	36
23164	66	135408	54
30191	62	135474	58
30228	60	135479	62
30387	54	135491	24, 26, 60, 62
30505	46	135544	62
30627	30, 32, 56, 62	135550	58
30628	44, 48, 56	135554	58, 76
30632	60	135560	62
30635	44	135657	64
30655	46	135709	58
30743	54	135723	40, 44, 48, 50
30753	60, 62	135734	58
30836	34, 38	135785	36, 40, 56, 64
30905	62	135790	58
30971	58	135799	20, 22, 30, 32, 36, 40, 44, 48, 50, 56, 64, 72
32247	50	135813	34, 40
35618	72	135815	44
42592	30, 32	135818	58
44209	58, 60	135852	44
44210	58	135865	58, 60
49341	52	135866	58, 60
50098	62	135867	76
50155	36, 44	135869	76
50186	60	135903	24, 26, 40
50220	58	135945	40
50225	54	135976	60
100709	28	136082	20
108172	20, 22	136108	60
111528	40, 48, 52	136122	52
112130	52, 54	136124	20, 22, 36
112624	44	136132	20, 22, 48
112866	62		

INDEX

136137	24, 26	166466	66
136141	20, 22	166747	40
136143	24, 26	174858	52
136151	24, 26, 30, 36	181511	44
136157	20, 22	184371	66
136167	56	184372	66
136172	36	184385	66
136178	36	184462	58
136226	60	184587	72
136258	58	184596	40, 50
136291	36, 44, 50	184641	30, 32
136354	60	184657	30, 32, 72
136362	58	184659	50
136401	72	184662	40
136412	58	184667	36, 64
136413	58	184669	36, 40
136423	36	184672	20, 22
136428	32, 48	184673	20, 22
136431	20, 22, 24, 26, 36, 40, 44, 50, 64, 72	184675	36, 40
136438	60	184678	36, 44
136440	22, 24, 26, 36, 42, 48, 52	184681	20, 22, 36
136485	24, 26	184697	80
136650	52	184699	36
136655	56	184701	44
136690	52	184709	20, 22
136717	22	184711	20, 22, 30, 32, 44, 48, 56, 64
136832	34	184712	30, 32
136843	30, 32	184714	20, 22, 36, 40, 44, 50
136876	30, 32	184717	44, 48
136881	50	190546	66
137980	40	194026	58
138344	76	194033	62
138345	76	194082	62
139071	62	194389	62
139630	56	194465	66
146474	50	194466	66
148645	30, 32	197171	20, 22
148798	20, 22	198329	34
148799	24, 26	198610	58
149183	44	203547	56
149342	54	206482	56
149399	34	221765	34
150454	54	221768	34
150487	62	221769	34
150595	58	221937	34
150871	28	221938	34
150879	62	221997	44
152439	40, 80	222028	44
152520	44	222269	24, 26
152655	24, 26, 30, 32, 56	222291	24, 26
152668	30, 32	222658	34
152685	24, 26	222664	34
152730	30, 32	222988	34
159635	76	223014	40
163585	62	223232	80

INDEX

223236	80	246328	2, 6
223248	80	246330	2, 6
223406	34	246331	2, 6
223467	34	246332	4, 8, 10, 12, 18
224039	40	246346	30, 32
224313	30, 32	246352	72
224320	48	246355	40
224327	48	246388	30, 32
224471	32	246413	30, 32
224562	44	246424	34
224605	44	246583	44
224686	30, 32	246612	2, 6
224761	50	246613	2, 6
224762	50	246614	2, 6
224869	40	246615	2, 6
224977	40	246617	2, 6
236535	58	246622	2, 6
236538	58	246623	2, 6
236634	58	246624	2, 6
236684	58	246625	4, 8
236994	28	246627	2, 6
238015	4, 8	246628	2, 6
238016	2, 6	246630	4, 8
238026	12, 16	246631	2, 6
238031	12, 16	246632	2, 6
238032	12, 16	246633	10, 14, 18
238054	44	246687	24
238147	20, 22	246691	24
238195	16	246747	34
238227	10, 12, 16, 78	246748	34
239049	20, 22	246751	34
245966	44	246752	34
246175	40	246770	24
246198	50	246799	34
246224	40	246844	34
246236	2, 6	246845	44, 48
246266	40	246847	34
246291	10, 12, 16	246872	4, 8
246295	2, 6, 78	246874	30, 32
246299	10	246876	30, 32
246300	10, 12, 18, 74, 78	246882	10, 14, 18
246301	10	246896	68, 70
246303	10, 12, 18, 74, 78	246897	68, 70
246305	10, 12, 16	246902	66
246307	2, 6	246952	10, 14, 18
246308	2, 6	246956	66
246309	2, 6	246959	66
246310	2, 6	246991	2, 6
246311	2, 6	246997	68, 70
246312	10, 12, 18	247103	24, 26
246313	2, 6	247120	24, 26
246314	20, 22	247121	24, 26
246315	2, 6	247122	24, 26
246316	2, 6	247167	66
246318	2, 6	247183	38

INDEX

247184.....	38	256241.....	62
247185.....	38	256246.....	52
247186.....	38	256272.....	44
247187.....	38	256292.....	62
247188.....	38	256315.....	62
247189.....	38	256324.....	62
247190.....	38	256331.....	68
247191.....	38	256332.....	70
247192.....	38	256333.....	68
247193.....	38	256334.....	70
247194.....	38	256335.....	62
247195.....	38	256338.....	56
247196.....	38	256352.....	24, 26
247197.....	38	256371.....	24, 26
247198.....	38	256372.....	24, 26
247199.....	38	256404.....	40
247206.....	20, 22	256405.....	40
247231.....	66	256408.....	24
247242.....	10	256409.....	30, 32
247243.....	10	256412.....	30, 32
247259.....	34	256416.....	24
247265.....	38	256442.....	48
247275.....	40	256497.....	36
247307.....	36	256503.....	30
247309.....	36	256504.....	30, 32
247315.....	72	256507.....	30, 32
247323.....	40	256508.....	32
247420.....	36	256516.....	52
247433.....	40	256545.....	56
247616.....	2, 6	256546.....	40
247693.....	50	256547.....	40
247828.....	36	256573.....	36
247832.....	34	256574.....	36
247856.....	34	256580.....	34
247923.....	2, 6	256581.....	34
247924.....	2, 6	256582.....	24, 26
247936.....	2, 6	256584.....	56
247937.....	2, 6	256585.....	62
252219.....	40	256586.....	58
252232.....	76	256612.....	40
252640.....	62	256621.....	58
252688.....	58	256633.....	30, 32
256024.....	50	256640.....	44
256029.....	50	256641.....	44
256046.....	54	256650.....	76
256047.....	54	256651.....	76
256054.....	50	257028.....	56
256108.....	58	257033.....	28
256109.....	58	257042.....	28
256110.....	58	257043.....	28
256192.....	44	257044.....	28
256199.....	44	257049.....	28
256203.....	62	257052.....	28
256204.....	62	257053.....	28
256240.....	62	257054.....	28

INDEX

257055	28	281497	26
257056	28	281500	26
257058	28	281582	40
257061	28, 62	281583	40
257062	28	281604	12, 18, 74, 78
257063	28	281605	10, 12, 18, 74, 78
257064	28	281606	12, 16, 74
257085	16	281609	10, 12, 16
257086	16	281644	44
257089	28	281695	44
257090	28	281697	18
257093	44	281753	10
257096	20, 22	281818	40
257112	50	281965	10, 12, 18, 78
257123	74	281966	10, 12, 16
257125	28	281967	10, 12, 16
257126	28	281986	44
257127	28	302204	66
257128	28	304865	66
257149	60	307175	2, 6
257150	28, 62	307211	34, 38
257162	28	307889	34
257174	24, 26, 28	320225	20, 22, 36
257186	54	320226	20, 22, 24, 26, 36, 42, 48
257187	24, 26, 28	325683	20, 22
257188	76	338800	18
257190	66	338995	20, 22
259048	2, 6	359024	10, 12, 16
259053	78	359026	2, 6
259099	10, 14, 18	359027	2, 6
259100	10, 14, 18		
259115	26		
259116	26		
259139	24, 26		
259142	24, 26		
259199	12, 16, 74, 78		
259200	12, 16, 74, 78		
259518	10, 12		
272233	60		
272251	60		
280504	16		
281073	44, 48		
281315	44, 48		
281324	34		
281325	34		
281338	40		
281339	40		
281366	12, 16		
281367	12, 16		
281370	12, 16		
281378	24		
281446	10		
281447	10		
281489	26		
281493	26		
		B	
		B5800	80
		B5818	48
		B6272	62
		B6557	34
		B6558	34
		B6621	58

MacDon®

CUSTOMERS
MacDon.com

DEALERS
Portal.MacDon.com

Trademarks of products are the marks of their
respective manufacturers and/or distributors.

Printed in Canada