

MacDon *Performance Parts*



Rotary Headers

Rotary Headers

Rotary Blades

FITS

R1/R2 Series Rotary Disc Mower, R Series Rotary Disc Mower

PART # See Tables

DESCRIPTION

View tables for Rotary blade options.

FEATURES/BENEFITS

- » 18 degree blade - provides cleaner cut especially in lighter crops such as fine grass and alfalfa
- » 11 degree blade - provides better durability in rocky conditions while maintaining a good cut quality in heavier crops

Notes:

**Please note that 'Quick Change' blades are compatible on all R1 Series Rotary Disc machines, however the 'Quick Change' feature on R1/R2 Series Rotary Disc Mower are only available on model year 2019 and later.*

R1 AND R2 SERIES ROTARY DISC MOWER

11 DEGREE BLADES (BEVEL DOWN) 6-PACK QUICK CHANGE	
CLOCKWISE	281822
COUNTERCLOCKWISE	281821
18 DEGREE BLADES (BEVEL DOWN) 6-PACK QUICK CHANGE	
CLOCKWISE	259199
COUNTERCLOCKWISE	259200

R80 AND R85 SERIES ROTARY DISC MOWER

11 DEGREE BLADES (BEVEL UP) 6-PACK	
CLOCKWISE	268205
COUNTERCLOCKWISE	268207
18 DEGREE BLADES (BEVEL DOWN) 6-PACK	
CLOCKWISE	268204
COUNTERCLOCKWISE	268206



Rotary Quick Change Blade Kit

FITS

R113 and R116 Pull Type Rotary Headers

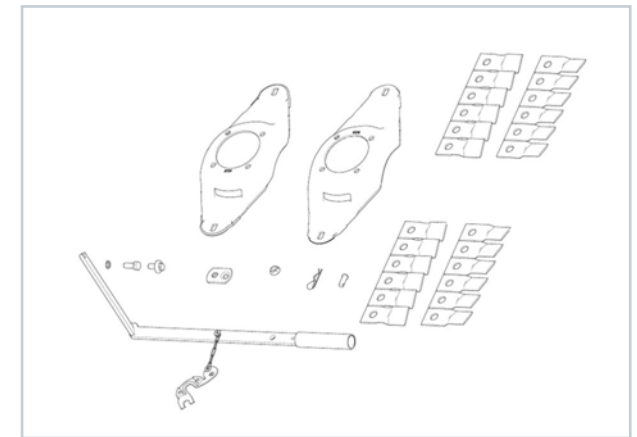
PART # 257136 (R113), 257135 (R116)

DESCRIPTION

Kit comes with all necessary parts and instructions for installation. Installation time for this kit is approximately 3.5 hours depending if you have an 8 or 10-disc mower.

FEATURES/BENEFITS

- » Easily change out blades with the Quick Change Blade Tool



R1 Blade Lowering Kit

FITS

R1 Series (2016 & 2017)

KIT # 257123

DESCRIPTION

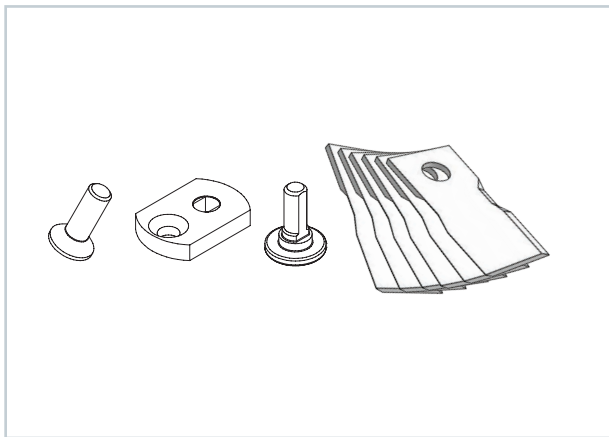
Replaces 5mm spacers with 10mm spacers to get blades closer to the ground. Can be used on all R1 cutterbars (not specific to Pull Type).

FEATURES/BENEFITS

- » Allows header angle to be flatter when cutting close to the ground
- » Flatter blade angle provides improved cut quality

Notes:

**For maximum benefit the small drum kit should be used in conjunction with the Blade lowering kit on R116 Pull Type models.*



R116 Small Drum Kit

FITS

R1 Series Pull Type (2016 & 2017)

KIT # 259140

DESCRIPTION

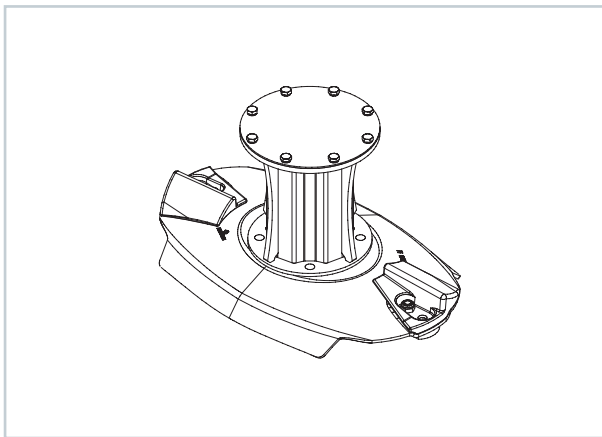
Replaces existing (large) diameter drums with small diameter drums.

FEATURES/BENEFITS

- » Smaller diameter drum improves crop flow across the cutterbar
- » Provides for a more even cut across the width of the header

Notes:

**For maximum benefit the small drum should be used in conjunction with the Blade lowering kit and 18° blades.*



R85 Auger Chrome Replacement Flighting

FITS

R85 (16ft SP)

KIT # 194942 (LH), 194943 (RH)

DESCRIPTION

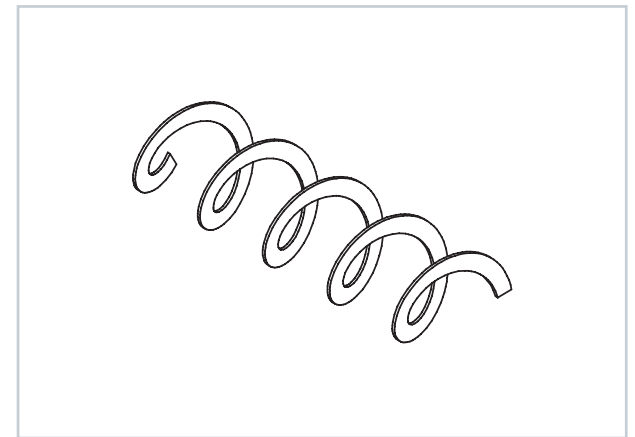
Replaces worn down auger flighting with newer, more durable chrome auger flighting.

FEATURES/BENEFITS

- » Cost effective repair to outer flighting areas on feed auger
- » Restores auger performance to original specification

Notes:

**This only replaces outer flighting. Some welding is required.*



Chrome Auger Kit (16ft)

FITS

R85 (16ft - model year 2013 & prior)

KIT # 236930

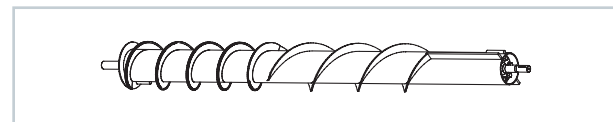
DESCRIPTION

New auger design improves crop feeding throughout the header, as well as increased auger life span.

FEATURES/BENEFITS

- » Revised feed auger design features universal joint at center support and wear-resistant pitch flights
- » More consistent crop flow throughout the header

PART #	DESCRIPTION	QTY	REPLACES PART #
236972	AUGER CW SHAFT BAL-LH 16'-22/7 FLIGHT	1	194920
236974	AUGER CW SHAFT BAL-RH 16'-22/7 FLIGHT	1	194921
235310	SHIELD - AUGER - CENTER	2	
268332	PLATE - MACHINED	1	
150438	BEARING - BALL SPHOD CW LC (1 3/8 IN. BORE)	1	
236975	UNIVERSAL JOINT	1	
169857	KIT INSTALLATION INSTRUCTION	1	
1113	KEY	1	
21567	BOLT-HEX HD .375-16UNC X 0.75 LG	4	
105136	SCREW - MACHINE	8	
50186	NUT - FLANGE LOCK SM FACE DT 0.500-13UNC GR5	8	
30441	WASHER - HARDENED	2	
30861	BOLT - HH 5/8 NF X 2.0 LG GR 8 ZP	2	
136792	NUT - HEX SMTH FLG 5/8-18-GR8-ZP	2	



Keep your MacDon at peak performance with MacDon Rotary Disc Service Kits

Order Rotary Disc Service Kits from MacDon for one convenient package containing high wear rotary disc replacement parts required for your machine.*

Select from the options below to find your MacDon Rotary Disc Service Kit.



ROTARY DISC SERVICE KIT

R1/R2 SERIES

259053

- 259200 - 18° Counterclockwise Rotary Blade, 6 Pack (4)
- 259199 - 18° Clockwise Rotary Blade, 6 Pack (4)
- 238227 - Hardware Guard (4)
- 246300 - Blade Nut (20)
- 281604 - Blade Bolt (20)
- 281605 - Accelerator Bolt (10)
- 246303 - Accelerator Nut (10)
- 246295 - Spindle Shear Key (2)

ROTARY DISC SERVICE KIT

R80/R85 SERIES

268323

- 268206 - 18° Counterclockwise Rotary Blade, 6 Pack (4)
- 268204 - 18° Clockwise Rotary Blade, 6 Pack (4)
- 221530 - Hardware Guard (4)
- 148645 - Blade Nut (30)
- 148644 - Blade Bolt (20)
- 148800 - Accelerator Bolt (10)
- 198280 - Spindle Shear Pin (1)

*Refer to your operators manual for recommended scheduled maintenance intervals.