

MacDon *Performance Parts*



FD2 FlexDraper[®] for Combine

FD2 Introduction

Keep your FD2 at peak performance with MacDon Performance Parts!

The FD2 FlexDraper® provides you with even more harvesting performance utilizing an all-new lineup of MacDon Performance Parts. This quick reference guide provides an in-depth breakdown of the new wear parts including pictures, part numbers and more.

Now that's convenient!



Cutterbar – ClearCut™ High-Speed Cutting System

MacDon Performance Parts



CUT CLEANER. CUT FASTER. CUT MORE.

MacDon's ClearCut™ High-Speed Cutting System delivers just that; clean cutting at up to 30% faster speeds*. Helping you get there is MacDon's improved knife drive with more power and new knife section geometry with 25% more cutting surface. A smooth close shave comes from two unique ClearCut™ Knife Guards; choose between Pointed Knife Guards or PlugFree™ Knife Guards that resist plugging even in the nastiest conditions.

1-SERIES SECTION



2-SERIES SECTION



1-SERIES GUARD



2-SERIES GUARD



1-SERIES & 2-SERIES DIFFERENCES

2-Series Guards and Sections are not compatible with older generation MacDon headers.

*Compared to previous model.

ClearCut™ Knife Sections

FITS

FD2/D2 Series Draper Headers

DESCRIPTION

MacDon ClearCut™ knife sections feature over 25% more cutting surface thanks to a longer blade and improved geometry. So what does that mean for you? It means faster, cleaner cut quality at higher ground speeds.

FEATURES/BENEFITS

- » Ultra coarse, Coarse and Fine serrated options available
- » Austempered heat treatment for tougher, longer lasting sections
- » Designed to self-sharpen as they wear
- » Guaranteed hole spacing means your replacement sickle section will fit your MacDon perfectly every time

PART # See Table

PART #	DESCRIPTION
286461	SECTION - STANDARD CLEARCUT COARSE (25 PK)
286462	SECTION - STANDARD CLEARCUT FINE (25 PK)
286627	SECTION - STANDARD CLEARCUT ULTRA COARSE (25 PK)
226983	SECTION - END (SINGLE)
286463	SECTION - CLEARCUT COARSE TOP COUNTER SUNK (10 PK)
286465	SECTION - CLEARCUT FINE TOP COUNTER SUNK (10 PK)
286628	SECTION - CLEARCUT ULTRA COARSE TOP COUNTER SUNK (10 PK)
286464	SECTION - CLEARCUT COARSE BOTTOM COUNTER SUNK (10 PK)
286466	SECTION - CLEARCUT FINE BOTTOM COUNTER SUNK (10 PK)
286629	SECTION - CLEARCUT ULTRA COARSE BOTTOM COUNTER SUNK (10 PK)

Notes:

**Not compatible with older generation MacDon headers.*

Know how to choose your sickle sections

When choosing your knife, choose a serration based on the types of crops you are cutting.



Ultra-coarse sections are recommended for thicker stemmed crops and adverse soybean conditions.



Coarse sections are recommended for cereals, canola, pulses and soybeans.



Fine sections are recommended for use in forage, grasses and thin stemmed crops like flax and lentils.

ClearCut™ Knife Assembly Kits

FITS

FD2/D2 Series Draper Headers

PART # See Tables

DESCRIPTION

Provides all necessary knife segments and splice kits required to replace the complete knife on a header.

FEATURES/BENEFITS

- » Comes packaged in 1 box for ease of transportation from dealership to field

SINGLE KNIFE DRIVE

PART #	DESCRIPTION
286597	KIT - KNIFE 25FT SK COARSE
286598	KIT - KNIFE 30FT SK COARSE
286599	KIT - KNIFE 35FT SK COARSE
286600	KIT - KNIFE 40FT SK COARSE

DOUBLE KNIFE DRIVE

PART #	DESCRIPTION
286602	KIT - KNIFE 25FT DK COARSE
286603	KIT - KNIFE 30FT DK COARSE
286604	KIT - KNIFE 35FT DK COARSE
286605	KIT - KNIFE 40FT DK COARSE
286606	KIT - KNIFE 41FT DK COARSE
286607	KIT - KNIFE 45FT DK COARSE
286608	KIT - KNIFE 50FT DK COARSE

Notes:

**Knife Heads (226941 - for both RH & LH) are sold separately.*

Knife Splice/Repair Kit - ClearCut™

FITS

FD2/D2 Series Draper Headers

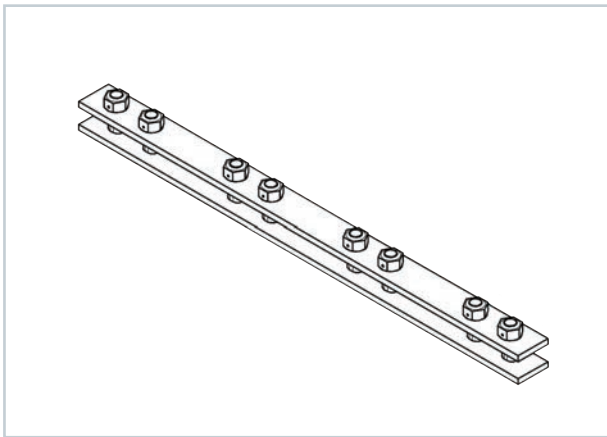
PART # 286493

DESCRIPTION

Splice kit to repair broken knife or to assemble segments.

FEATURES/BENEFITS

- » Provides a quick repair for broken sickles
- » Durable connection, the same used for splicing segmented knives together



Section Hardware - ClearCut™

FITS

FD2/D2 Series Draper Headers

DESCRIPTION

Convenient Knife Section Hardware Packs.

FEATURES/BENEFITS

- » Redesigned bolts make in-field knife section replacement quick and easy

PART #	DESCRIPTION
286475	STANDARD LENGTH SECTION BOLT 50PK, 18MM C/W NUTS
286476	KNIFE HEAD SECTION BOLT - SHORT 25PK, 22MM C/W NUTS
286477	KNIFE HEAD SECTION BOLT - LONG 25PK, 29MM C/W NUTS
286478	CENTER OVERLAP SECTION BOLT 25PK, 14MM C/W NUTS
286621	KNIFE SPLICE SECTION BOLT 25 PK, 22MM C/W NUTS
286481	KNIFE REINFORCEMENT BAR (DRIVE END) 25PK

Notes:

*Knife Section not included.



Center Overlap Section Kit - ClearCut™

FITS

FD2/D2 Series Draper Headers

PART # 286473 (Coarse), 286474 (Fine), 286635 (Ultra Coarse)

DESCRIPTION

Contains all special countersunk sections and hardware for the center knife overlap on Double Knife Drive Headers.

FEATURES/BENEFITS

- » Eliminates the need of buying larger 10 packs of top and bottom countersunk sections

Notes:

*For Double Knife Drive (DK) headers only.



Pointed Knife Guards - ClearCut™

FITS

FD2/D2 Series Draper Headers

PART # See Table

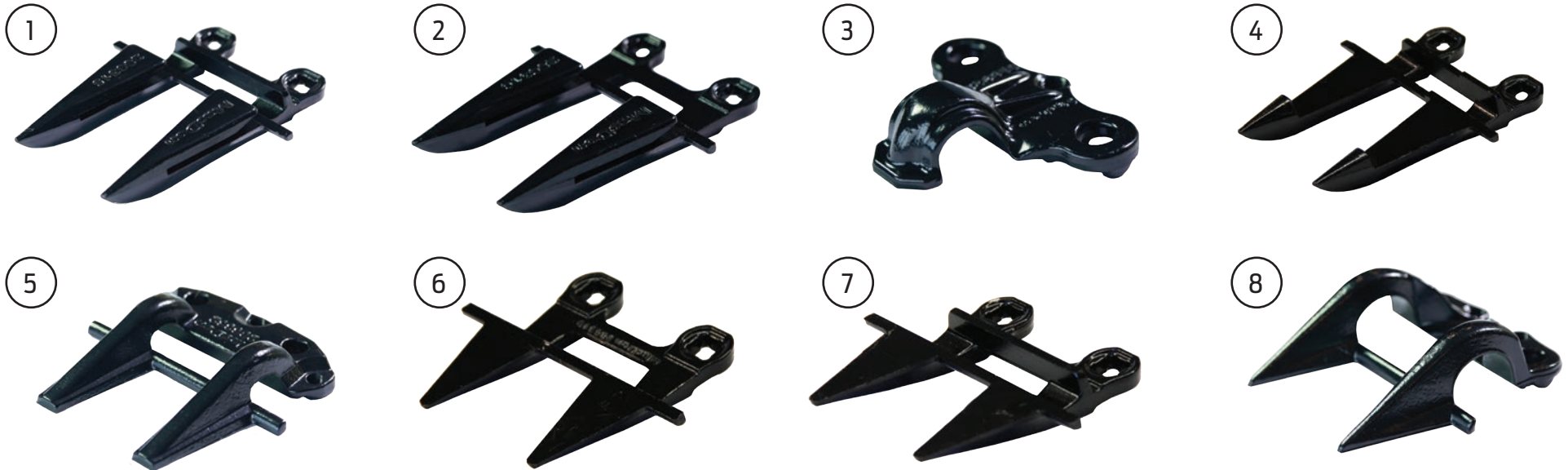
DESCRIPTION

Pointed Knife Guards are multi-purpose knife guards designed to glide along the surface at high cutting speeds for a clean, even cut every time.

FEATURES/BENEFITS

- » Cutting surface is induction hardened providing targeted hardening in high contact areas, resulting in a superior cutting performance
- » Critical dimensions ensure a perfect fit on your MacDon machine every time, allowing for minimal downtime and quick replacements
- » Tapered edge design allows for sickle sections to be replaced without replacing guard

REF	PART #	DESCRIPTION
1	286315	POINTED KNIFE GUARD (STANDARD GUARD)
2	286316	POINTED END KNIFE GUARD (USED AT POSITIONS 2,3,4 FROM EACH DRIVE END)
3	286329	HOLD DOWN - POINTED GUARD
4	286317	POINTED CENTER KNIFE GUARD BOTTOM (DK DRIVE HEADER ONLY)
5	286332	POINTED CENTER KNIFE GUARD TOP (DK DRIVE HEADER ONLY)
6	286319	PLUGFREE™ END KNIFE GUARD (USED AT DRIVE END)
7	286318	PLUGFREE™ KNIFE GUARD - (USED AT RH END - SK HEADERS ONLY)
8	286331	HOLD DOWN - PLUGFREE™ END GUARD (TOP FOR 286318 & 286319)



Notes:

*Not compatible with older generation MacDon headers.

PlugFree™ Knife Guards - ClearCut™

FITS

FD2/D2 Series Draper Headers

PART # See Table

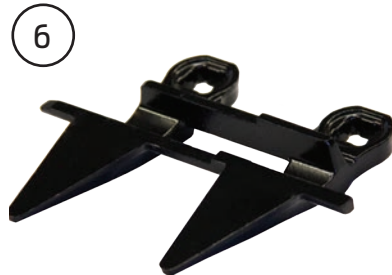
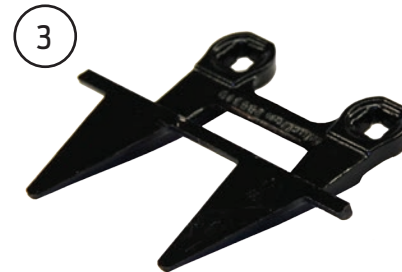
DESCRIPTION

This guard design gets the knife as close to the ground as possible while still protecting the blade from damaging debris in the field.

FEATURES/BENEFITS

» PlugFree™ Knife Guards resist plugging even in the nastiest conditions providing the closest, cleanest possible shave of the ground

REF	PART #	DESCRIPTION
1	286318	PLUGFREE™ KNIFE GUARD (STANDARD)
2	286330	HOLD DOWN - PLUGFREE™ GUARD (PAIRED WITH 286318, EXCEPT ON SK DRIVE HEADERS AT RH END)
3	286319	PLUGFREE™ KNIFE GUARD - END (USED AT POSITIONS 2,3,4 FROM EACH DRIVE END)
4	286331	HOLD DOWN - PLUGFREE™ GUARD END (PAIRED WITH 286319 AND USED AT RH END ON SK DRIVE HEADERS)
5	286333	PLUGFREE™ CENTER KNIFE GUARD - TOP (DK DRIVE HEADERS ONLY)
6	286320	PLUGFREE™ CENTER KNIFE GUARD - BOTTOM (DK DRIVE HEADERS ONLY)



Notes:

*Not compatible with older generation MacDon headers.

Pointed Knife Guard Kits - ClearCut™

FITS

FD2/D2 Series Draper Headers

PART # See Tables

DESCRIPTION

Kits include all guards required to do a complete cutterbar replacement.

FEATURES/BENEFITS

» Convenient kits, ensure customers get all guards needed for a complete replacement

SINGLE KNIFE DRIVE

PART #	DESCRIPTION
286668	KIT - POINTED GUARDS 25FT SK
286669	KIT - POINTED GUARDS 30FT SK
286670	KIT - POINTED GUARDS 35FT SK
286671	KIT - POINTED GUARDS 40FT SK

DOUBLE KNIFE DRIVE

PART #	DESCRIPTION
286661	KIT - POINTED GUARDS 25FT DK
286662	KIT - POINTED GUARDS 30FT DK
286663	KIT - POINTED GUARDS 35FT DK
286664	KIT - POINTED GUARDS 40FT DK
286665	KIT - POINTED GUARDS 41FT DK
286666	KIT - POINTED GUARDS 45FT DK
286667	KIT - POINTED GUARDS 50FT DK

Notes:

*Hardware sold separately.

PlugFree™ Knife Guard Kits - ClearCut™

FITS

FD2/D2 Series Draper Headers

PART # See Tables

DESCRIPTION

Kit includes all guards required to do a complete cutterbar replacement.

FEATURES/BENEFITS

» Convenient kits, ensure customers get all guards needed for a cutterbar rebuild

SINGLE KNIFE DRIVE

PART #	DESCRIPTION
286679	KIT - PLUGFREE™ GUARDS 25FT SK
286680	KIT - PLUGFREE™ GUARDS 30FT SK
286681	KIT - PLUGFREE™ GUARDS 35FT SK
286682	KIT - PLUGFREE™ GUARDS 40FT SK

DOUBLE KNIFE DRIVE

PART #	DESCRIPTION
286672	KIT - PLUGFREE™ GUARDS 25FT DK
286673	KIT - PLUGFREE™ GUARDS 30FT DK
286674	KIT - PLUGFREE™ GUARDS 35FT DK
286675	KIT - PLUGFREE™ GUARDS 40FT DK
286676	KIT - PLUGFREE™ GUARDS 41FT DK
286677	KIT - PLUGFREE™ GUARDS 45FT DK
286678	KIT - PLUGFREE™ GUARDS 50FT DK

Notes:

*Hardware sold separately.



Guard Hardware - ClearCut™

FITS

FD2/D2 Series Draper Headers

PART # See Table

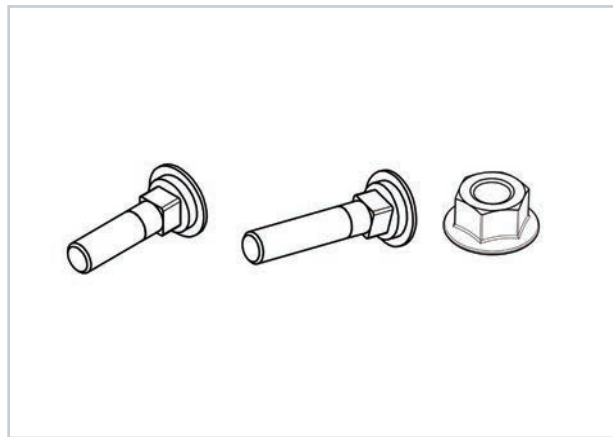
DESCRIPTION

Hardware used with both Pointed and PlugFree™ Knife Guards and hold downs.

FEATURES/BENEFITS

- » Hardware designed to meet the rigorous stresses of cutterbar demands
- » Optimizes form and fit of cutterbar poly to guard for single tool replacement

PART #	DESCRIPTION
226295	STANDARD GUARD BOLT - 47mm
226280	LONG GUARD BOLT - 60mm
136036	GUARD NUT
136005	HOLD DOWN ADJUSTER BOLT



Crop Lifters

FITS

FD2/D2 Series Draper Headers

PART # 233748 (SINGLE)

DESCRIPTION

For use with Pointed Guards, Crop Lifters are recommended for severely lodged cereal crops where operator wants maximum possible stubble height.

FEATURES/BENEFITS

- » Offers a custom header fit providing optimal functionality through all tilt angles
- » Custom fit to MacDon guards to minimize movement during cutting and prevent loss of lifters
- » Curved contact point allows lifter to glide along the ground without digging or getting knocked off

Notes:

**Sold as B7022 (10 Pack) through Whole Goods, dealer installed/ aftermarket option only.*



Side Draper Belts

FITS

FD2/D2 Series Draper Headers

PART # See Table

DESCRIPTION

Side Draper Belts for FD2. Connector Hardware Kit 319095 is included.

FEATURES/BENEFITS

- » Double V-Guide allows for fully reversible drapers, extending draper life
- » Exclusive cutterbar seal prevents seed loss at leading edge of draper
- » Metal slat connectors provide increased durability and an optimal connection for longer lasting drapers
- » Better feeding with more capacity with 50" width
- » MacDon branded for authenticity

SIZE	PART #	SIZE	PART #
25 FT	319098	41 FT	319102
30 FT	319099	45 FT	319103
35 FT	319100	50 FT	319104
40 FT	319101	BULK ROLL	319540



Side Draper Connector Hardware

FITS

FD2/D2 Series Draper Headers

PART # See Table

DESCRIPTION

Convenient hardware kits for draper connector slat repair.

FEATURES/BENEFITS

- » Refer to table for different repair kit options

PART #	DESCRIPTION
319345	BOLT - DRAPER SLAT CONNECTOR 30PK, 34mm C/W NUTS
319095	KIT - SIDE DRAPER CONNECTOR (CONTAINS, 319346, 319347, 275785, AND ALL HARDWARE)
319346	KIT - LONG CENTER CONNECTOR SLAT BARS (CONTAINS HARDWARE)
319347	KIT - SHORT HEM CONNECTOR SLAT BARS (CONTAINS HARDWARE)
275785	CONNECTOR BRIDGE (USED TO CONNECT DRAPER AT CUTTERBAR SEAL, 1 PER SIDE DRAPER)



Side Draper Belt Repair Kit

FITS

FD2/D2 Series Draper Headers

PART # 319105

DESCRIPTION

319105 comes with a 500mm (20") repair piece and (2) 319095 Connector Kits.

FEATURES/BENEFITS

- » Low cost alternative to replacing entire draper
- » Simply cut out damaged section and splice in repair section with the included hardware



Center Feed Draper

FITS

FD2/D2 Series Draper Headers

PART # 322555

DESCRIPTION

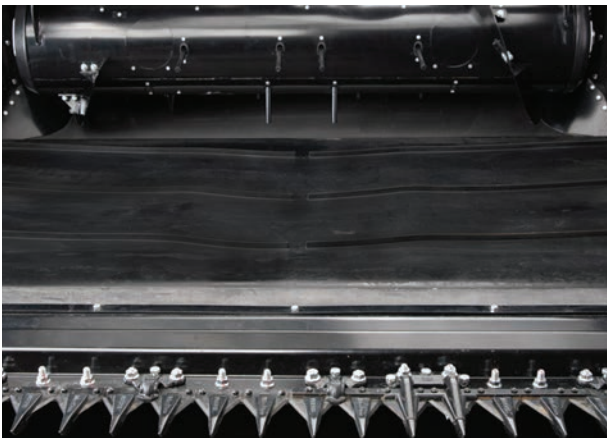
Center Feed Draper Belt on FM200.

FEATURES/BENEFITS

- » Two ply construction with rubber skim coating for maximum durability

Notes:

*Connector Hardware: Screws (135630 - 50 PK), Nuts (135626 - 50 PK) and Draper Connector Straps (130283) sold separately.



Feed Auger Finger Kit

FITS

FD2/D2 Series Draper Headers

PART # 337152

DESCRIPTION

Kit contains the Solid Feed Auger Finger and Guide (337143).

FEATURES/BENEFITS

- » Solid Feed Auger Fingers undergo a unique heat treatment process known as Austempering to provide a tougher, and more impact resistant structure, for maximum strength and wear characteristics
- » Improved finger guide material for better wear resistance

Notes:

*Important: Guide 337143 must be replaced alongside finger.



Split Finger Holder

FITS

FD2/D2 Series Draper Headers

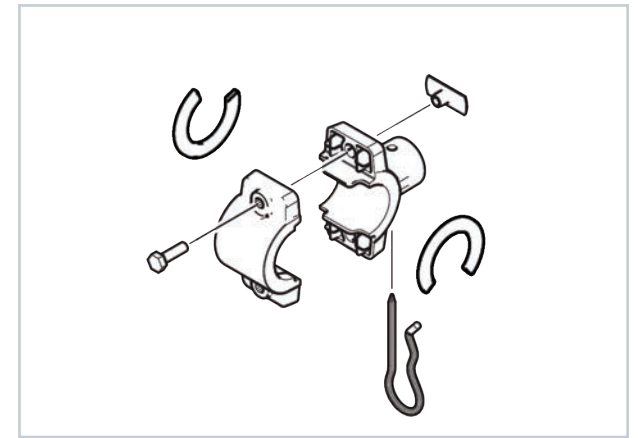
PART # 276839

DESCRIPTION

A two-piece, bolt together feed auger finger holder (pack of 5).

FEATURES/BENEFITS

- » Allows for the quick replacement of damaged feed auger finger holders
- » Doesn't require removal of all drum fingers in order to slide over new holder
- » Doesn't require disassembly of drum if spare finger holders run out





PART #	DESCRIPTION
276202	SKID SHOE-TRANSITION PAN (4 TOTAL PER HEADER)
289759	SKID SHOE POLY - WEARPLATE (6 TOTAL PER HEADER)
286257	CUTTERBAR SKID SHOE (2 PER FOOT OF HEADER WIDTH)

Poly Skid Shoes

FITS

FD2/D2 Series Draper Headers

PART # See Table

DESCRIPTION

Molded plastic skid shoes.

FEATURES/BENEFITS

- » Guaranteed fit to minimize replacement time
- » Allows cutting height adjustment when cutting on the ground
- » Designed to flex and shed mud in wet conditions



Steel Reel Finger Conversion Kits

FITS

FD2/D2 Series Draper Headers

PART # See Table

DESCRIPTION

Heavy duty Steel Finger Kits provide a longer lasting solution in rice and other abrasive crop conditions.

FEATURES/BENEFITS

» Coil steel for flexibility and durability

PART #	DESCRIPTION
311054	STEEL REEL FINGER KIT-30FT DR 5 BAT
311055	STEEL REEL FINGER KIT-30FT DR 6 BAT
311068	STEEL REEL FINGER KIT-35FT DR 5 BAT
311069	STEEL REEL FINGER KIT-35FT DR 6 BAT

Notes:

*Steel fingers are aftermarket only - available only through MacDon Parts.



Reel Fingers

FITS

FD2/D2 Series Draper Headers

PART # See Table

DESCRIPTION

Part of the Clean Sweep Crop Keeper System, heavy duty reel fingers come standard on every FD2 Header.

FEATURES/BENEFITS

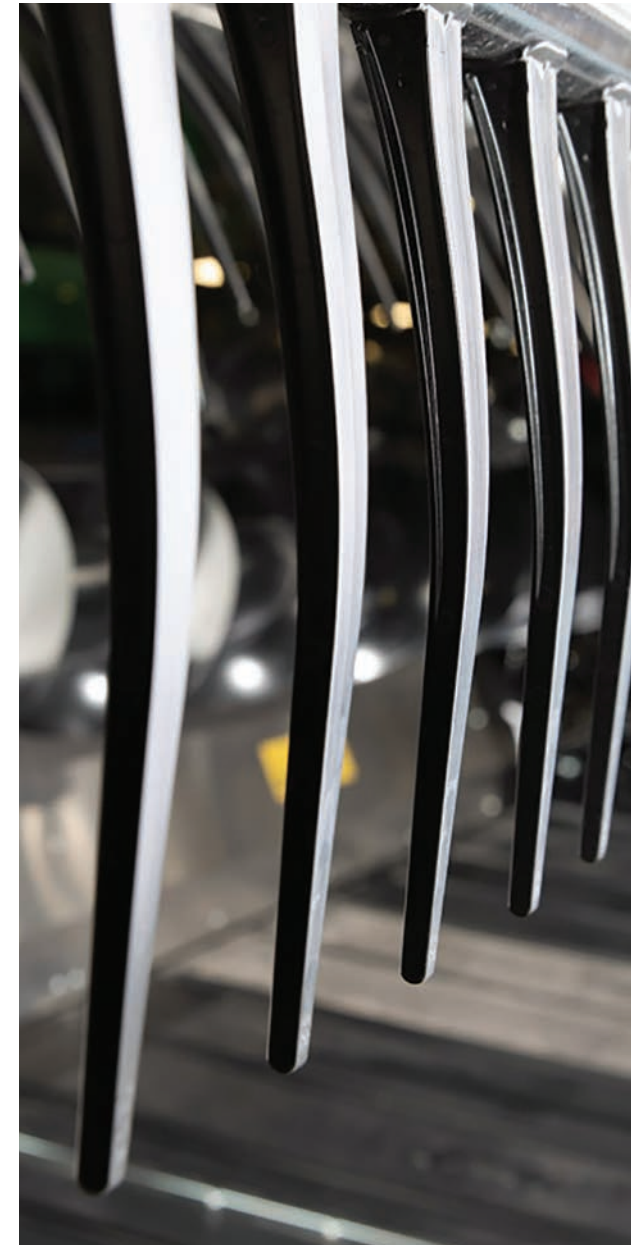
» New Angled fingers for better corner cleaning

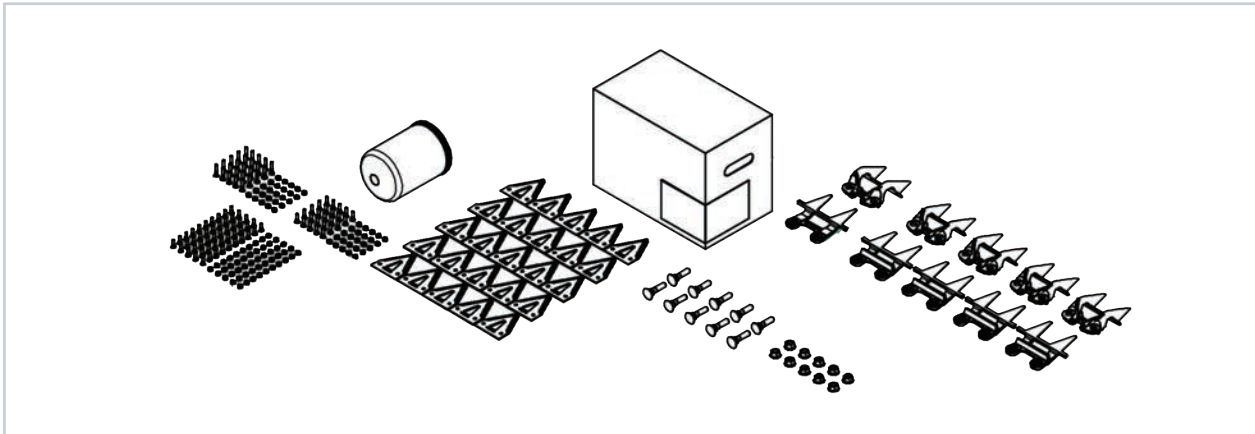
» Work in conjunction with the reel end shield crop paddles and deflectors to keep your crop moving

PART #	DESCRIPTION
289742	END SHIELD DEFLECTOR FINGER*
311523	PLASTIC REEL FINGER - RH ANGLED 10PK
311524	PLASTIC REEL FINGER - LH ANGLED 10PK
174849	PLASTIC REEL FINGERS 10PK
311325	STEEL REEL FINGER - CAM END RH
311327	STEEL REEL FINGER - CAM END LH

Notes:

*289742 End Shield Deflector Finger is designed to enhance feeding at ends of header.





Draper Header Service Kits

FITS

FD2/D2 Series Draper Headers

PART # 311789 (Pointed Guards) & 311790 (PlugFree™ Guards)
- See tables for kit contents

DESCRIPTION

Convenient wear parts kits available for both Pointed and PlugFree Guard configured headers.

FEATURES/BENEFITS

» Like a “First-Aid Kit” for your header

311789

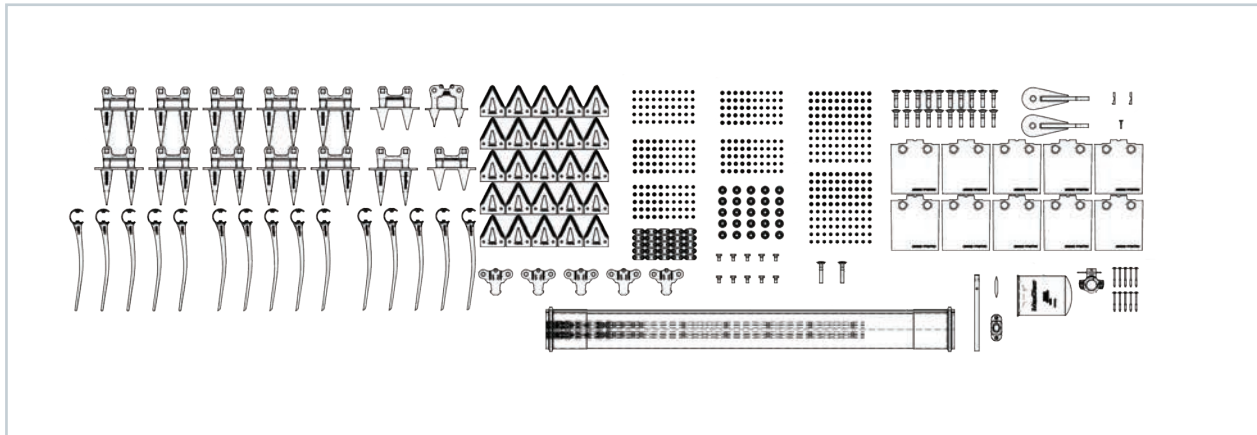
FD2 POINTED GUARD SERVICE KIT – CONTENTS

PART #	DESCRIPTION	QTY
136036	GUARD NUT	10
320360	HYDRAULIC FILTER	1
226295	STANDARD GUARD BOLT - 47mm	10
286315	POINTED KNIFE GUARD (STANDARD GUARD)	4
286316	POINTED END KNIFE GUARD (USED AT POSITIONS 2,3,4 FROM EACH DRIVE END)	1
286461	CLEARCUT™ COARSE SECTION 25PK	1
286475	STANDARD LENGTH SECTION BOLT 50PK, 18mm C/W NUTS	1
286476	KNIFE HEAD SECTION BOLT - SHORT 25PK, 22mm C/W NUTS	1
286477	KNIFE HEAD SECTION BOLT - LONG 25PK, 29mm C/W NUTS	1

311790

FD2 PLUGFREE™ GUARD SERVICE KIT – CONTENTS

PART #	DESCRIPTION	QTY
136036	GUARD NUT	10
320360	HYDRAULIC FILTER	1
226295	STANDARD GUARD BOLT - 47mm	10
286318	PLUGFREE™ SHORT KNIFE GUARD	4
286319	PLUGFREE™ END KNIFE GUARD	1
286330	HOLD DOWN - PLUGFREE™ GUARD	4
286331	HOLD DOWN - PLUGFREE™ GUARD END (PAIRED WITH 286319 AND USED AT RH END ON SK DRIVE HEADERS)	1
286461	CLEARCUT™ COARSE SECTION 25PK	1
286475	STANDARD LENGTH SECTION BOLT 50PK, 18mm C/W NUTS	1
286476	KNIFE HEAD SECTION BOLT - SHORT 25PK, 22mm C/W NUTS	1
286477	KNIFE HEAD SECTION BOLT - LONG 25PK, 29mm C/W NUTS	1



Service Kit Plus - Pointed Guard, Single Knife Drive

FITS

FD2/D2 Series Draper Headers

PART # 340492 – See tables for kit contents

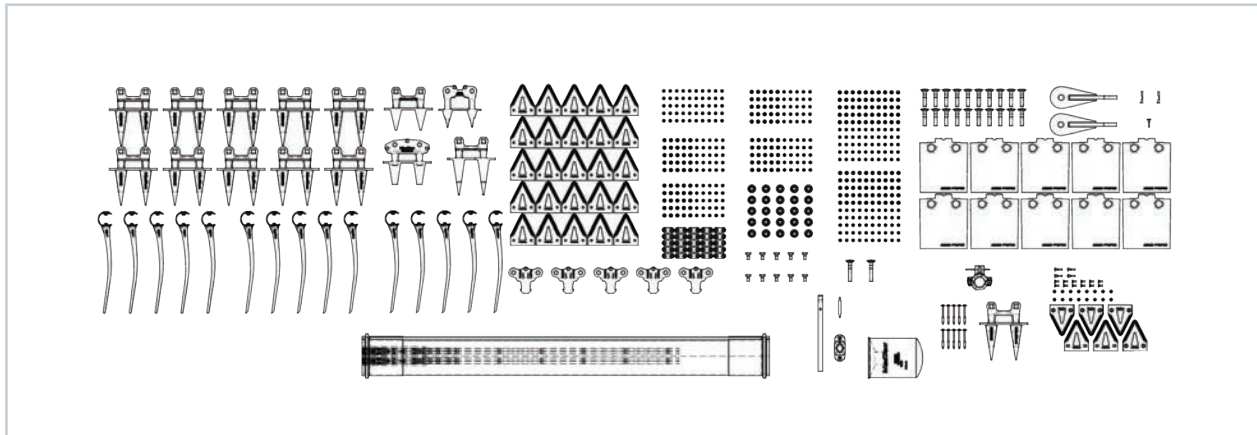
DESCRIPTION

A convenient kit of common wear parts and repair kits for use with single knife drive headers configured with Pointed Guards.

FEATURES/BENEFITS

» Ideal for customers seeking greater uptime and harvest efficiency

PART #	DESCRIPTION	QTY
135630	FEED DRAPER CONNECTOR SLAT BOLT 50PK	1
136005	HOLD DOWN ADJUSTER BOLT	10
136036	GUARD NUT	25
174849	PLASTIC REEL FINGERS 10PK	1
320360	HYDRAULIC FILTER	1
226280	LONG GUARD BOLT - 60mm	2
226295	STANDARD GUARD BOLT - 47mm	20
252687	REEL FINGER BOLT	10
258876	HEADER BREAKAWAY HOOK	2
275864	KEY - DRAPER DRIVE MOTOR	2
276839	SPLIT FINGER HOLDER - AUGER FINGER 5PK	1
286257	CUTTERBAR SKID SHOE	10
286315	POINTED KNIFE GUARD (STANDARD GUARD)	10
286316	POINTED END KNIFE GUARD (USED AT POSITIONS 2,3,4 FROM EACH DRIVE END)	1
286318	PLUGFREE™ KNIFE GUARD - (USED AT RH END – SK HEADERS ONLY)	1
286319	PLUGFREE™ END KNIFE GUARD (USED AT DRIVE END)	1
286329	HOLD DOWN - POINTED GUARD	5
286331	HOLD DOWN - PLUGFREE™ END GUARD (TOP FOR 286318 & 286319)	1
286461	CLEARCUT™ COARSE SECTION 25PK	1
286475	STANDARD LENGTH SECTION BOLT 50PK, 18mm C/W NUTS	2
286476	KNIFE HEAD SECTION BOLT - SHORT 25PK, 22mm C/W NUTS	2
286477	KNIFE HEAD SECTION BOLT - LONG 25PK, 29mm C/W NUTS	2
286479	KNIFE SECTION NUT 50PK	1
286481	KNIFE REINFORCEMENT BAR 25PK	1
311523	PLASTIC REEL FINGER - RH ANGLED 10PK	1
311524	PLASTIC REEL FINGER - LH ANGLED 10PK	1
319105	DRAPER REPAIR KIT - 500mm (20") PIECE	1
337152	FEED AUGER FINGER KIT	1



Service Kit Plus - Pointed Guard, Double Knife Drive

FITS

FD2/D2 Series Draper Headers

PART # 340493 – See tables for kit contents

DESCRIPTION

A convenient kit of common wear parts and repair kits for use with double knife drive headers configured with Pointed Guards.

FEATURES/BENEFITS

» Ideal for customers seeking greater uptime and harvest efficiency

PART #	DESCRIPTION	QTY
135630	FEED DRAPER CONNECTOR SLAT BOLT 50PK	1
136005	HOLD DOWN ADJUSTER BOLT	10
136036	GUARD NUT	25
174849	PLASTIC REEL FINGERS 10PK	1
320360	HYDRAULIC FILTER	1
226280	LONG GUARD BOLT - 60mm	2
226295	STANDARD GUARD BOLT - 47mm	20
252687	REEL FINGER BOLT	10
258876	HEADER BREAKAWAY HOOK	2
275864	KEY - DRAPER DRIVE MOTOR	2
276839	SPLIT FINGER HOLDER - AUGER FINGER 5PK	1
286257	CUTTERBAR SKID SHOE	10
286315	POINTED KNIFE GUARD (STANDARD GUARD)	10
286316	POINTED END KNIFE GUARD (USED AT POSITIONS 2,3,4 FROM EACH DRIVE END)	1
286317	POINTED CENTER KNIFE GUARD BOTTOM	1
286319	PLUGFREE™ END KNIFE GUARD (USED AT DRIVE ENDS)	1
286329	HOLD DOWN - POINTED GUARD	5
286331	HOLD DOWN - PLUGFREE™ END GUARD (TOP FOR 286318 & 286319)	1
286332	POINTED CENTER KNIFE GUARD TOP	1
286461	CLEARCUT™ COARSE SECTION 25PK	1
286473	CENTER KNIFE SECTION OVERLAP KIT	1
286475	STANDARD LENGTH SECTION BOLT 50PK, 18mm C/W NUTS	2
286476	KNIFE HEAD SECTION BOLT - SHORT 25PK, 22mm C/W NUTS	2
286477	KNIFE HEAD SECTION BOLT - LONG 25PK, 29mm C/W NUTS	2
286479	KNIFE SECTION NUT 50PK	1
286481	KNIFE REINFORCEMENT BAR 25PK	1
311523	PLASTIC REEL FINGER - RH ANGLED 10PK	1
311524	PLASTIC REEL FINGER - LH ANGLED 10PK	1
319105	DRAPER REPAIR KIT - 500mm (20") PIECE	1
337152	FEED AUGER FINGER KIT	1