

MacDon *Performance Parts*



Auger Headers

Reel Tine Hardware

FITS

A40D, A40D GS 2015 & prior

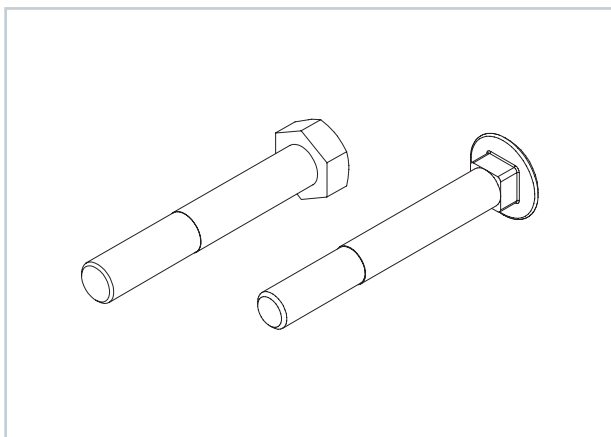
PART # 6 Bat - 170622 (x18), 136348 (x9), 21569 (x9)
7 Bat - 170622 (x21), 136348 (x11), 21569 (x10)

DESCRIPTION

Used to update reel tine bolts with stronger, updated bolts.

FEATURES/BENEFITS

- » Increased strength of reel tine tube bolts
- » Increased life of reel tine tube bolts



Swath Baffle Adjuster Brace Kit

FITS

A Series Header

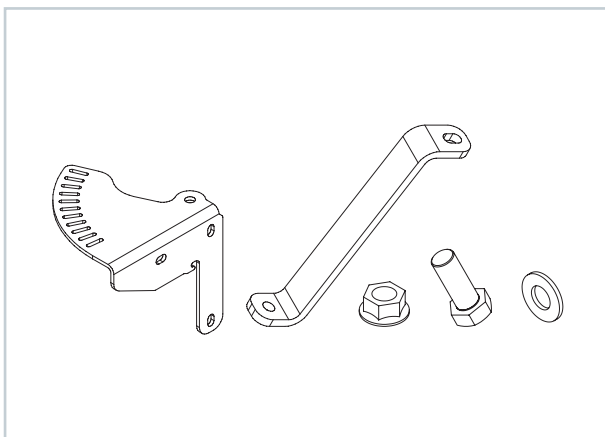
KIT # 170585

DESCRIPTION

New adjuster bracket for A-series auger header baffle.

FEATURES/BENEFITS

- » Stronger and more reliable baffle adjuster bracket



Auger Edge Flighting Repair Kit

FITS

A40 Header

KIT # 170436

DESCRIPTION

Used to repair worn auger flighting.

FEATURES/BENEFITS

- » Increased auger life
- » More consistent crop feeding throughout header

Notes:

**Some welding is required.*

Full Flighting Repair Kit

FITS

A Series Header

KIT # 143147 (LH), 143142 (RH)

DESCRIPTION

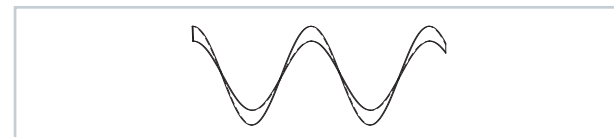
Used to fully replace worn auger flighting.

FEATURES/BENEFITS

- » Increased auger life
- » More consistent crop feeding throughout header

Notes:

**Some welding is required.*



Sickle Sections

FITS

All MacDon Draper Headers*, Case 2142/2152/2162, New Holland 82C/83C/86C, JD 400D Series

PART # See Tables

DESCRIPTION

MacDon Austempered Sickle Sections undergo a unique heat treatment process to provide a tougher, and more impact resistant structure, for maximum strength and wear characteristics! Can be used in any harvest situation, designed and engineered to perform better than standard sickle sections.

Busatis Sickle Sections (non-Austempered option) are also available for 1-Series and older headers. They are a more economical version when compared against our factory standard Austempered sections.

FEATURES/BENEFITS

- » Designed to self sharpen as they wear, meaning your sickle sections will continue to stay sharp throughout the section life
- » Guaranteed hole spacing means your replacement sickle section will fit your MacDon perfectly every time, inconsistently spaced holes lead to premature bolt failure costing valuable downtime

AUSTEMPERED SICKLE SECTIONS

PART #	DESCRIPTION
279641	COARSE SECTION (25 PK)
279642	FINE SECTION (25 PK)
294947	ULTRA COARSE SECTION (25 PK)
279310	COARSE BOTTOM COUNTER SUNK SECTION (10 PK)
279312	FINE BOTTOM COUNTER SUNK SECTION (10 PK)
279314	CHAMFERED COARSE TOP COUNTER SUNK SECTION (10 PK)
279316	CHAMFERED FINE TOP COUNTER SUNK SECTION (10 PK)

BUSATIS SICKLE SECTIONS

PART #	DESCRIPTION
174845	COARSE BUSATIS SECTION (25 PK)
118491	FINE BUSATIS SECTION (25 PK)
279999	COARSE TOP COUNTER SUNK BUSATIS SECTION (10 PK)
279848	FINE TOP COUNTER SUNK BUSATIS SECTION (10 PK)
279851	COARSE BOTTOM COUNTER SUNK BUSATIS SECTION (10 PK)
279850	FINE BOTTOM COUNTER SUNK BUSATIS SECTION (10 PK)

Notes:

* Exclude FD2/D2 Series Draper Headers

AUSTEMPERED ULTRA-COARSE SECTION



For thicker stemmed crops and adverse soybean conditions

AUSTEMPERED FINE SECTION



For forage, grasses and thin stemmed crops like flax and lentils

AUSTEMPERED COARSE SECTION



For cereals, canola, pulses and soybeans

BUSATIS COARSE SECTION



For cereals, canola, pulses and soybeans

Guards

FITS

All MacDon Draper Headers*, Case 2142/2152/2162, New Holland 82C/83C/86C, JD 400D Series

PART # See Tables

DESCRIPTION

All MacDon guards are fully thru-hardened for toughness, then induction hardened in key high wear areas so they will keep their cutting edge longer. Single heat treated guards only recommended for use in conditions where guards break before they wear out.

FEATURES/BENEFITS

- » Cutting surface is induction hardened providing targeted hardening in high contact areas, resulting in a superior cutting performance
- » Critical dimensions ensure a perfect fit on your MacDon machine every time, allowing for minimal downtime and quick replacements
- » Tapered edge design allows for sickle sections to be replaced without removing guard

Notes:

*Exclude FD2/D2 Series Draper Headers

POINTED GUARDS

PART #	DESCRIPTION
118344	DOUBLE HEAT TREATED POINTED GUARD
118484	SINGLE HEAT TREATED POINTED GUARD
118301	LEFT HAND END GUARD
118302	RIGHT HAND END GUARD
118345	NO KNIFE LEDGERS (FOR DRIVE END)

STUB GUARDS

PART #	DESCRIPTION
34359	DOUBLE HEAT TREATED TOP STUB GUARD
118346	DOUBLE HEAT TREATED BOTTOM STUB GUARD
135586	SINGLE HEAT TREATED TOP STUB GUARD
135575	SINGLE HEAT TREATED BOTTOM STUB GUARD
118351	SHEET METAL TOP STUB GUARD

POINTED GUARD



STUB BOTTOM GUARD



SHEET METAL TOP



FORGED METAL TOP



Recommended Cutting Components Combinations



Pointed Guard Recommended

- » For rocky conditions
- » On ground applications



Stub Guard Recommended

- » For off ground application
- » Tough cutting conditions