

MacDon *Performance Parts*



Pick-up Headers

Split Finger Holders

FITS

PW8

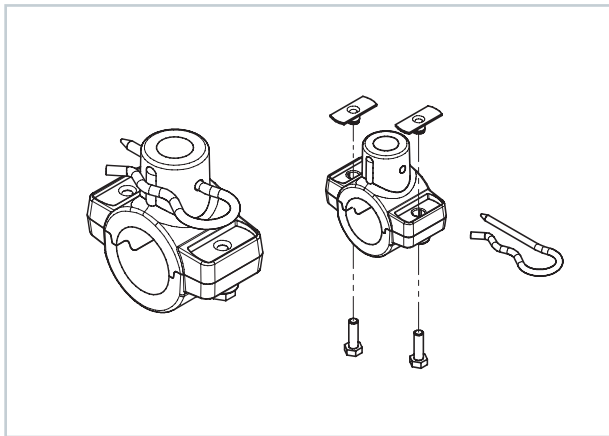
PART # 276839

DESCRIPTION

A two-piece, bolt together feed auger finger holder (pack of 5).

FEATURES/BENEFITS

- » Allows for the quick replacement of damaged feed auger finger holders
- » Doesn't require removal of all drum fingers in order to slide over new holder
- » Doesn't require disassembly of drum if spare finger holders run out



Auger Dent Repair Kit

FITS

PW8

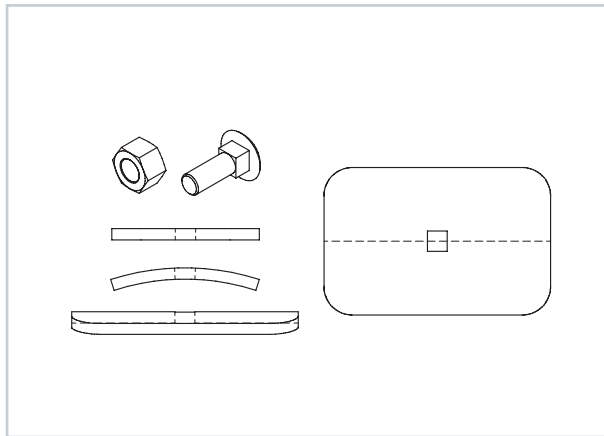
KIT # 237563

DESCRIPTION

Kit allows repairs to be made to auger near the finger holes.

FEATURES/BENEFITS

- » Removes dents to auger tube in area of outer finger guides



Pick-up Header Draper Belts

FITS

PW8/PW7

PART # See Tables

DESCRIPTION

Draper belt options for PW8/PW7 machines.

FEATURES/BENEFITS

- » Includes installed plastic pickup fingers (181047)

PW8

FRONT (WITH TEETH)		REAR	
197511 X 3	197510 X1 (RH SIDE)	197239 X 3	197129 X1 (RH SIDE)

PW7 SWATHMASTER

SIZE	FRONT (WITH TEETH)	REAR
14'	181460 X 8	184215 X 8
16'	181460 X 9	184215 X 9

