

M205 **Self-Propelled Windrower**

Supplement to Operator's Manual

169469_SUPPLEMENT Rev. F

Original Instruction

1 Supplement to Operator's Manual

Issued November 28, 2013

This supplement contains important updates to the information in your M205 Self-Propelled Windrower Operator's Manual. It is vital that you are aware of and use this new information.

Insert the attached pages into the manual as follows:

Topic title	Page reference in original manual
Tightening Drive Wheel Nuts	322
Installing Drive Wheel	323–324
Lowering Drive Wheel	324
Break-in Inspections	334

2 Tightening Drive Wheel Nuts

At first use, or when a wheel is removed, re-torque drive wheel nut torque after one hour of operation.

Continue with torquing procedure at one hour intervals of operation until two consecutive checks produce no movement of the nuts.

1. Tighten nuts to 170 ft·lbf (230 Nm) using the tightening sequence as shown.

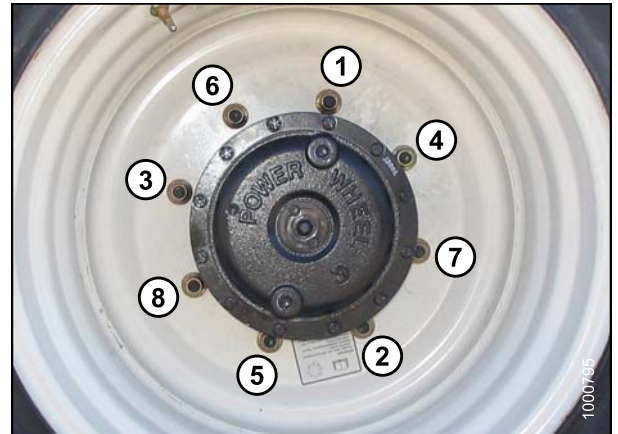


Figure 2.1

IMPORTANT

Verify nuts and washers are L9 by checking for markings (A) shown at right.

NOTE: To avoid damage to wheel rims and studs, do **NOT** overtighten wheel nuts.

2. Repeat sequence three times.

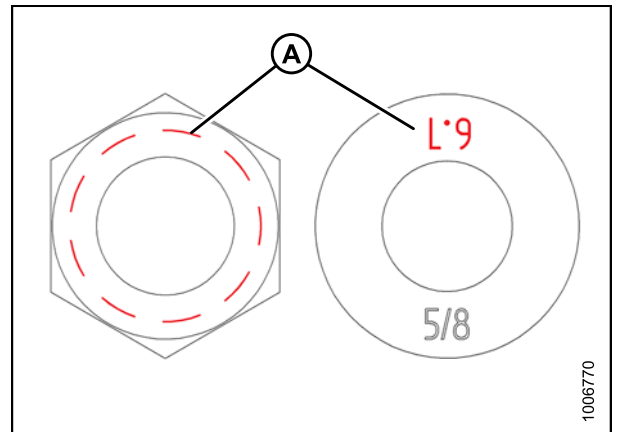


Figure 2.2: L9 hardware

3 Installing Drive Wheel

1. Position the drive wheel (A) onto the wheel drive hub (B).

NOTE: Ensure that the valve stem (C) faces outboard, and that the tire tread (D) points forward when viewing tire from above.

NOTE: For Turf tires (diamond tread), be sure arrow on sidewall points in forward rotation.

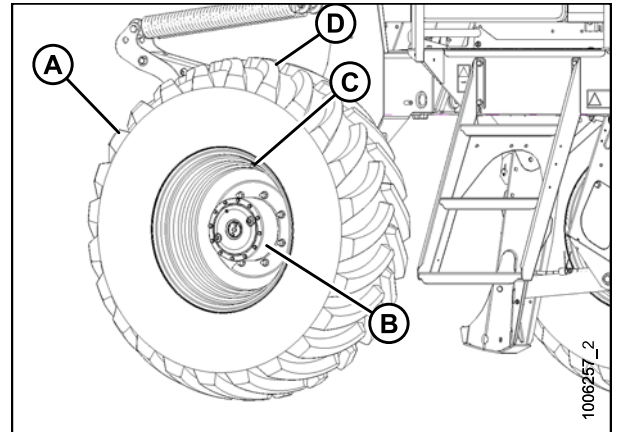


Figure 3.1

2. Line up the holes in the rim with the studs on the wheel drive hub, and install L9 nuts (E) and washers.
3. Tighten nuts (A) to 170 ft-lbf (230 N-m) using the tightening sequence shown. Repeat the sequence three times.

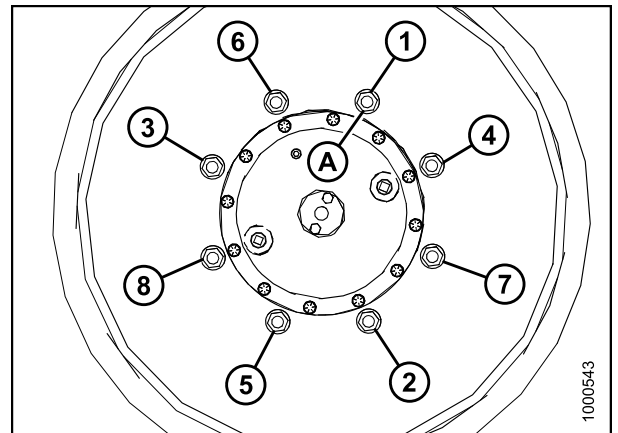


Figure 3.2

IMPORTANT

Verify nuts and washers are L9 by checking for markings (A) as shown at right.

IMPORTANT

To avoid damage to rim and studs, do NOT overtighten wheel nuts.

4. Lower the windrower. See Section 3.1 Lowering Drive Wheel, page 6 .
5. After one hour of operation, re-torque the wheel nuts. Then check every hour until two consecutive checks produce no movement of the nuts.

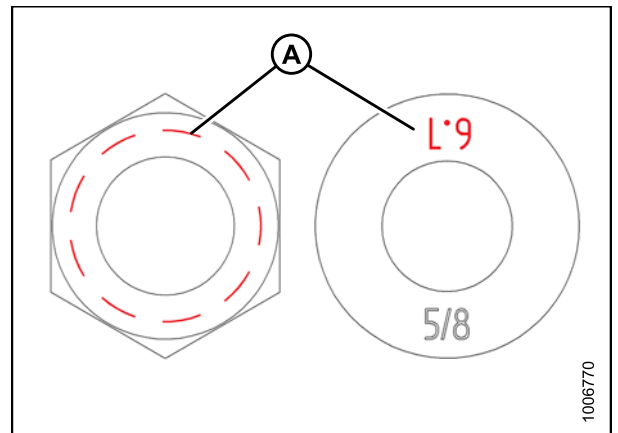


Figure 3.3: L9 hardware

INSTALLING DRIVE WHEEL

3.1 Lowering Drive Wheel

This procedure can be used on both drive wheels.

1. Place a jack under the leg jack point (A) and raise the drive wheel slightly off the jack stand.
2. Remove the jack stand and lower the drive wheel to the ground.
3. Remove the jack.

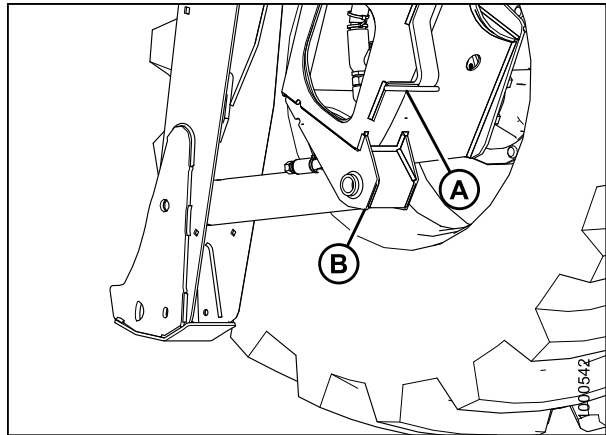


Figure 3.4

4 Break-In Inspections

Break-in inspections		
Hours	Item	Check
1	Drive wheel nuts	Torque: 170 ft·lbf (230 N·m). Repeat checks at one hour intervals until torque stabilizes at two consecutive checks.
5	A/C compressor belt	Tension.
	Caster wheel nuts	Torque: 120 ft·lbf (163 N·m).
	Caster wheel anti-shimmy dampener bolts	Inboard bolt torque: 100 ft·lbf (135 N·m). Outboard bolt torque: 85 ft·lbf (115 N·m).
	Walking beam width adjustment bolts	Torque: 330 ft·lbf (448 N·m).
10	Walking beam width adjustment bolts	Torque: 330 ft·lbf (448 N·m).
	Neutral	Dealer adjusted.
50	Hose clamps: air intake / radiator / heater / hydraulic	Hand-tighten unless otherwise noted.
	Walking beam width adjustment bolts	Torque: 330 ft·lbf (448 N·m).
	Caster wheel anti-shimmy dampener bolts	Inboard bolt torque: 100 ft·lbf (135 N·m). Outboard bolt torque: 85 ft·lbf (115 N·m).
	Drive wheel lubricant	Change.
	Main gearbox oil	
	Charge system oil filter	
	Return oil filter (if applicable)	

MacDon Industries Ltd.

680 Moray Street
Winnipeg, Manitoba
Canada R3J 3S3
t. (204) 885-5590
f. (204) 832-7749

MacDon, Inc.

10708 N. Pomona Avenue
Kansas City, Missouri
United States 64153-1924
t. (816) 891-7313
f. (816) 891-7323

MacDon Australia Pty. Ltd.

A.C.N. 079 393 721
P.O. Box 243, Suite 3, 143 Main Street
Greensborough, Victoria, Australia 3088
t. 03 9432 9982
f. 03 9432 9972

LLC MacDon Russia Ltd.

123317 Moscow, Russia
10 Presnenskaya nab, Block C
Floor 5, Office No. 534, Regus Business Centre
t. +7 495 775 6971
f. +7 495 967 7600

CUSTOMERS
www.macdon.com

DEALERS
www.macdondealers.com

Trademarks of products are the marks of their
respective manufacturers and/or distributors.

Printed in Canada