

D65 Draper Header/CA25 Adapter Quick Card

IMPORTANT

Be sure to have read your operator's manual, and complete all set-up tasks before setting header float and wing balance.

STEP 1: PRE-ADJUSTMENTS

Complete before adjusting FLOAT.

1. Park combine on a level surface. Ensure that the combine feeder-house is level.
2. Adjust header so cutterbar is 8-12 inches (200–300 mm) off the ground.
3. Set guard angle to mid-position (between B and C on the indicator).
4. Set the reel fore-aft to mid-position (5 or 6 on reel arm decal).
5. Lower reel completely. Shut down the combine.
6. Place header float locks in unlocked (lowered) position.
7. If equipped, set stabilizer/transport wheels to the fully raised position.

STEP 2: CHECK HEADER FLOAT

1. Remove the special torque wrench (A) from storage position on right side of the CA25 combine adapter.
2. Place torque wrench (A) on the float lock at (B). Note change in orientation of wrench between left and right side.
3. Push down on torque wrench (A) until bell crank (C) rotates forward.
4. Continue pushing down until indicator (D) on wrench reaches a MAXIMUM reading and begins to decrease. Note the maximum reading.
5. Repeat above steps for opposite side.
6. The readings should match the values in TABLE 1. HEADER FLOAT.

STEP 3: SET HEADER FLOAT

1. Refer to TABLE 1 for recommended initial float setting:
 - If reading on wrench is high, header is heavy, so increase float.
 - If reading on wrench is low, header is light, so decrease float.
2. Adjust header float to match values in TABLE 1. Turn each bolt pair equal amounts.
 - To **increase float** (lighter header), tighten (clockwise) float spring bolts (A) and (B).
 - To **decrease float** (heavier header), loosen (counter clockwise) float spring bolts (A) and (B).
 - **Ensure wrench reading is EQUAL ON BOTH SIDES**

NOTE

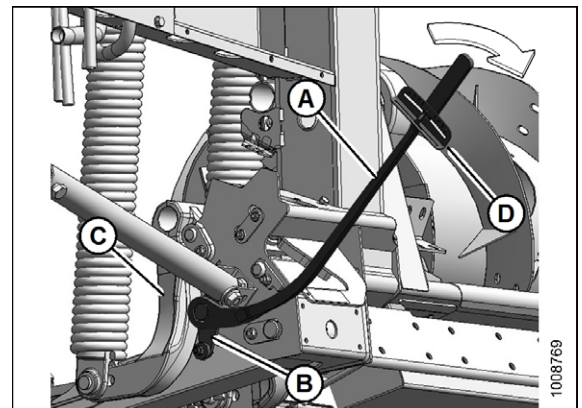
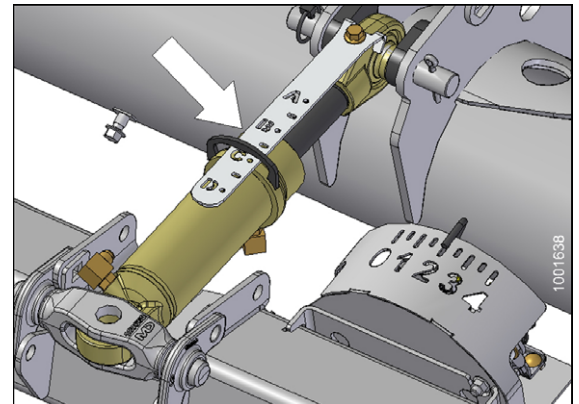
For 40 and 45 ft. double-knife headers, adjust float as above, and then loosen RIGHT SIDE FLOAT spring bolts (B) 2 turns.

TABLE 1. HEADER FLOAT

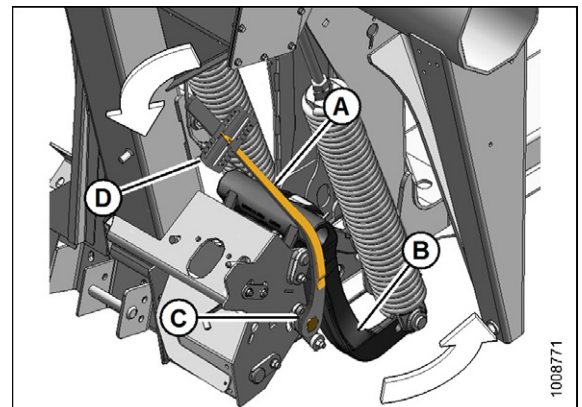
Header Size (ft.)	Torque Settings	
	Cutting on the Ground	Cutting off the Ground
30 and 35	1-1/2 to 2	2 to 2-1/2
40 and 45	2 to 2-1/2	2-1/2 to 3

IMPORTANT

The torque settings in the above table are recommended header float settings. Crop and field conditions may require adjusting the float to values outside these guidelines.



LEFT SIDE



RIGHT SIDE

D65/CA25 Recommended Settings

Subject to change without notice

Crop Type	Stubble Height (in.)	Crop Condition	OPERATING VARIABLES										Notes		
			Divider Rods	Draper Speed (Note 7)	Header Angle (Notes 1 and 4)	Knife Speed (Note 2)	Reel/Cam Setting	Reel Speed % (Note 3)	Reel Position	Skid Shoe Position (Note 4)	Stabilizer Wheels (Notes 4 and 5)	Upper Cross Auger			
Cereals	<4	Light	Off	8	B - C	600-650	3	10-15	6 or 7	Up or Center	Storage	Not Required	<p>Note 1: Set header angle as shallow as possible (setting A) with center-link and skid shoes while maintaining cutting height.</p> <p>Note 2: Minimum knife drive pulley rpm. Applicable only to single-knife headers.</p> <p>Note 3: Percentage above ground speed.</p> <p>Note 4: Cutting height is controlled with a combination of skid shoes and header angle.</p> <p>Note 5: Stabilizer wheels are used to limit the side to side movement when cutting off the ground in rolling terrain, and to minimize bouncing.</p> <p>Note 6: Available through your Dealer. Rice Divider Rod not required on both ends of header.</p> <p>Note 7: Setting on CA25 draper control.</p>		
		Normal	On	7		550-600	2	10				Recommended			
		Heavy	Off	7		525-600	3 or 4	5-10				4 or 5		Not Required	
	4-8	Light	Off	8	B - C	600-650	4	10-15	6 or 7	Center or Down	Note 5	Not Required			
		Normal	On	7	A	550-600	2	10				Recommended			
		Heavy	Off	7	D	525-600	3 or 4	5-10				4 or 5		Down	Not Required
	10 +	Light	Off	8	A	600-650	4	10-15	6 or 7	Not Applicable	Note 5	Not Required			
		Normal	On	7		550-600	2	10							
		Heavy	Off	7	B - C	525-600	3 or 4	5-10						4 or 5	
	Canola	4-8	Light	On	7	A	600-650	2	5-10	6 or 7	Down	Note 5		Recommended	
			Normal			B - C	550-600	1	10						Center or Down
			Heavy			D	525-600	2	5-10						3 or 4
Lodged			D			525-600	2	5-10	3 or 4				Center or Down		
10 +		Light	On	7	A	600-650	2	5-10	6 or 7	Not Applicable	Note 5	Recommended			
		Normal			B - C	550-600	1 or 2	10							
		Heavy			D	525-600	2 or 3	5-10					3 or 4		
		Lodged			D	525-600	2 or 3	5-10					3 or 4		
California rice		<4	Light	Rice Divider Rod (Note 6)	4	D	600-650	2	10-15	6 or 7	Up or Center	Storage	Not Required		
			Normal			B - C	550-600		10					4 or 5	
			Heavy			D	525-600		5-10					4 or 5	
			Lodged			D	525-600		5-10					4 or 5	
	4-8	Light	Rice Divider Rod (Note 6)	4	D	600-650	3	10-15	6 or 7	Center or Down	Note 5	Not Required			
		Normal			B - C	550-600		10							
		Heavy			D	525-600		4					5-10		
		Lodged			D	525-600		4					5-10		
	10 +	Light	Rice Divider Rod (Note 6)	4	A	600-650	3	10-15	6 or 7	Not Applicable	Note 5	Not Required			
		Normal			B - C	550-600		10							
		Heavy			D	525-600		4					5-10		
		Lodged			D	525-600		4					5-10		
Delta rice	2-6	Light	Off	6	D	600-650	2 or 3	10-15	6 or 7	Center or Down	Note 5	Not Required			
		Normal			B - C	550-600		10							
		Heavy			D	525-600		3 or 4					5-10	4 or 5	
		Lodged			D	525-600		3 or 4					5-10	4 or 5	
	8 +	Light	Off	6	A	600-650	2 or 3	10-15	6 or 7	Not Applicable	Note 5	Not Required			
		Normal			B - C	550-600		10							
		Heavy			D	525-600		3 or 4					5-10	4 or 5	
		Lodged			D	525-600		3 or 4					5-10	4 or 5	
Soybeans		Light	On	8	D	600-650	2	5-10	6 or 7	Up or Center	Storage	Not Required			
		Normal			B - C	550-600		10							
		Heavy			D	525-600		5-10							
		Lodged			D	525-600		5-10							
Flax		Light	On	8	B - C	600-650	2	5-10	6 or 7	Center or Down	Note 5	Not Required			
		Normal			A			10							
		Heavy			B - C			5-10							
		Lodged			D			5-10							
Peas		Light	On	7	B - C	600-650	2	5-10	6 or 7	Up or Center	Storage	Recommended			
		Normal			550-600	10									
		Heavy			D	525-600		5-10							
		Lodged			D	525-600		5-10							
Lentils		Light	On	8	B - C	600-650	2	5-10	6 or 7	Up or Center	Storage	Not Required			
		Normal				550-600		10							
		Heavy				D		525-600					5-10		
		Lodged				D		525-600					5-10		