

### A Series Auger Header Quick Card

Note: The following settings are intended as a starting point and may require fine tuning as the crop and field conditions dictate.

Crop Type	Crop Condition	Field Condition	Header Height	Header Angle	Knife Speed	Reel RPM	Float (LBS)	Feed Pan Position
Alfalfa	Heavy	Smooth	0"	7.0 - 8.0	1600-1800	73-77	70-80	Center Slot
		Rocky	0"	5.5-6.5	1600-1800	73-77	60-70	Center Slot
	Normal	Smooth	0"	7.0-8.0	1600-1800	70-75	70-80	Center Slot
		Rocky	0"	5.5-6.5	1600-1800	70-75	60-70	Center Slot
	Light	Smooth	0"	8.0-8.5	1600-1800	65-70	75-85	Upper Slot
		Rocky	0"	5.5-6.5	1600-1800	65-70	65-70	Upper Slot
	Lodged	Smooth	0"	7.5-8.5	1600-1800	73-77	80-90	Variable
		Rocky	0"	5.5-6.5	1600-1800	73-77	65-75	Variable
Timothy	Heavy	Smooth	2.5"-3"	7.0-8.0	1850-1950	70-75	70-80	Center Slot
		Rocky	2.5"-3"	5.5-6.0	1850-1950	70-75	60-70	Center Slot
	Normal	Smooth	2.5"-3"	7.0-8.0	1850-1950	65-70	70-80	Center Slot
		Rocky	2.5"-3"	5.5-6.0	1850-1950	65-70	60-70	Center Slot
	Light	Smooth	2.5"-3"	7.5-8.0	1850-1950	60-65	75-85	Upper Slot
		Rocky	2.5"-3"	5.5-6.0	1850-1950	60-65	65-70	Upper Slot
	Lodged	Smooth	2.5"-3"	7.0-8.5	1850-1950	70-75	80-90	Variable
		Rocky	2.5"-3"	5.5-6.0	1850-1950	70-75	65-75	Variable
Sudan/Tall Crop	Heavy	Smooth	6"	7.0-8.0	1700-1850	70-75	70-80	Lower Slot
		Rocky	6"	5.5-6.0	1700-1850	70-75	60-70	Lower Slot
	Normal	Smooth	6"	7.0-8.0	1700-1850	65-70	70-80	Lower Slot
		Rocky	6"	5.5-6.0	1700-1850	65-70	60-70	Lower Slot
	Light	Smooth	6"	7.5-8.5	1700-1850	60-65	75-85	Lower Slot
		Rocky	6"	6.0-6.5	1700-1850	60-65	65-70	Lower Slot
	Lodged	Smooth	6"	7.5-8.5	1700-1850	70-75	80-90	Lower Slot
		Rocky	6"	6.0-6.5	1700-1850	70-75	65-75	Lower Slot
Triticale	Heavy	Smooth	0"	7.0-8.0	1600-1800	70-75	70-80	Lower Slot
		Rocky	0"	5.5-6.5	1600-1800	70-75	60-70	Lower Slot
	Normal	Smooth	0"	7.0-8.0	1600-1800	65-70	70-80	Center Slot
		Rocky	0"	5.5-6.5	1600-1800	65-70	60-70	Center Slot
	Light	Smooth	0"	7.5-8.5	1600-1800	60-65	75-85	Center Slot
		Rocky	0"	6.0-6.5	1600-1800	60-65	65-70	Center Slot
	Lodged	Smooth	0"	7.5-8.5	1600-1800	70-75	80-90	Variable
		Rocky	0"	6.0-6.5	1600-1800	70-75	65-75	Variable
Wild/Grass Hay	Heavy	Smooth	0"	7.5-8.0	1850-1950	73-77	70-80	Center Slot
		Rocky	0"	5.5-6.5	1850-1950	73-77	60-70	Center Slot
	Normal	Smooth	0"	7.5-8.0	1850-1950	70-75	70-80	Center Slot
		Rocky	0"	5.5-6.5	1850-1950	70-75	60-70	Center Slot
	Light	Smooth	0"	7.5-8.5	1850-1950	65-70	75-85	Upper Slot
		Rocky	0"	6.0-6.5	1850-1950	65-70	65-75	Upper Slot
	Lodged	Smooth	0"	7.5-8.5	1850-1950	73-77	80-90	Variable
		Rocky	0"	6.0-6.5	1850-1950	73-77	65-75	Variable

### Header I.D.

HEADER SICKLE / DISK DRIVE REQUIREMENTS									
CODE	Header Connection Wiring Configuration - Pin "A" (common)					Header Speed (Strokes / Min.)		Header Description	
Wire # -->	5A		5J	5H	5G	5B			
Pin -->	A		J	H	G	B			
OOO0							Not applicable		NO HEADER
OO10	X				X		1250	1550	ALL A30 SK AUGER
OO11	X				X	X	1400	1950	ALL A40 DK AUGER
O110	X			X	X		1550	1850	ALL A30 DK AUGER

## A Series Auger Header Quick Card

Note: The following settings are intended as a starting point and may require fine tuning as the crop and field conditions dictate

### Forming Shield Adjustment

1) **Windrow Width Adjustment.** See Figure 1

- Remove the lynch pin.
- Move arm into the desired position, re-insert lynch pin.
- For narrow windrow use the holes closest to the header.
- For a wider windrow use the holes furthest away from the header.

2) **Forming Shield Rear Height Adjustment.** See Figure 2

- Remove the hair pin.
- Lower/raise the shield to desired height, re-insert hair pin.
- 4<sup>th</sup> hole from the top of the strap generally provides a good starting position for most crops. Lower the rear of the forming shield if the crop is not hitting the top cover.
- When using DWA, use highest forming shield position.

3) **Rear Baffle Adjustment.** See Figure 3

- Loosen the handle, and adjust angle of the baffle.
- Tightening the handle to lock its position. (This must be done on both sides)
- A greater angle (baffle pointed down) will allow for “fluffy” windrows, however an excessively steep baffle angle may cause an uneven windrow.
- When using DWA, position rear baffle in highest position.

4) **Inner Deflecting Fins.** See Figure 4

- These fins are bolted underneath the forming shield.
- Fins aid in distributing crop material evenly throughout the windrow.
- Removing or adding fins will change crop flow. Each fin can be mounted in 3 alternative positions. Position fins to obtain even crop distribution across the full width of the windrow or swath.

5) **Center Baffle Position.** See Figure 5

- For narrower windrows, center baffle is usually in full up position, however it can be lowered one or two notches to prevent crop from being projected above the forming shield top cover.
- Position the center baffle all the way down to obtain maximum swath width.

6) **Forming Shield Front Mounting Point** See Figure 6

- Mount the forming shield front support bolt in the upper hole in the tractor lift linkage. For smoother windrows in lighter crops, the lower hole in the lift linkage may be used so that the crop flow engages the forming shield closer to the front edge.
- When using DWA attachment, the front of the forming shield must be mounted to the upper hole in the lift linkage.

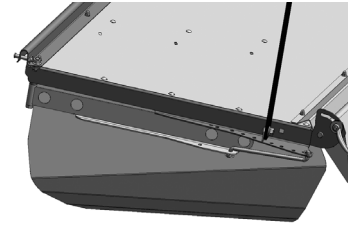


Figure 1

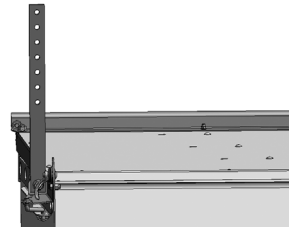


Figure 2

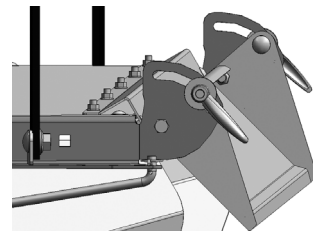


Figure 3

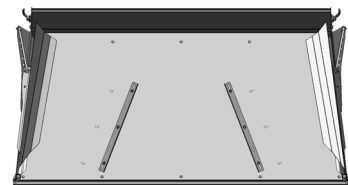


Figure 4

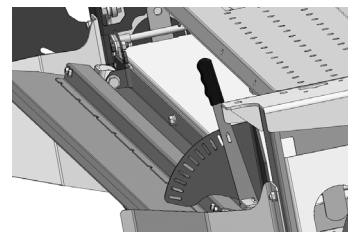


Figure 5

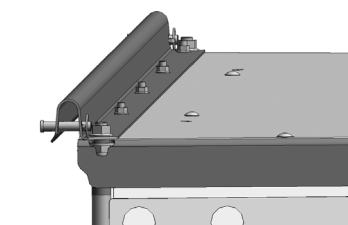


Figure 6

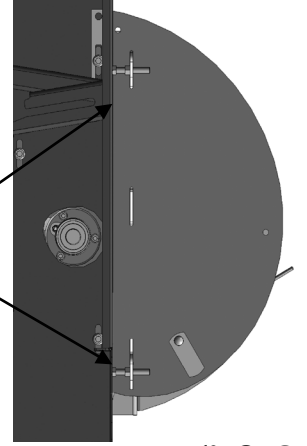
## A Series Auger Header Quick Card

**Note: The following settings are intended as a starting point and may require fine tuning as the crop and field conditions dictate.**

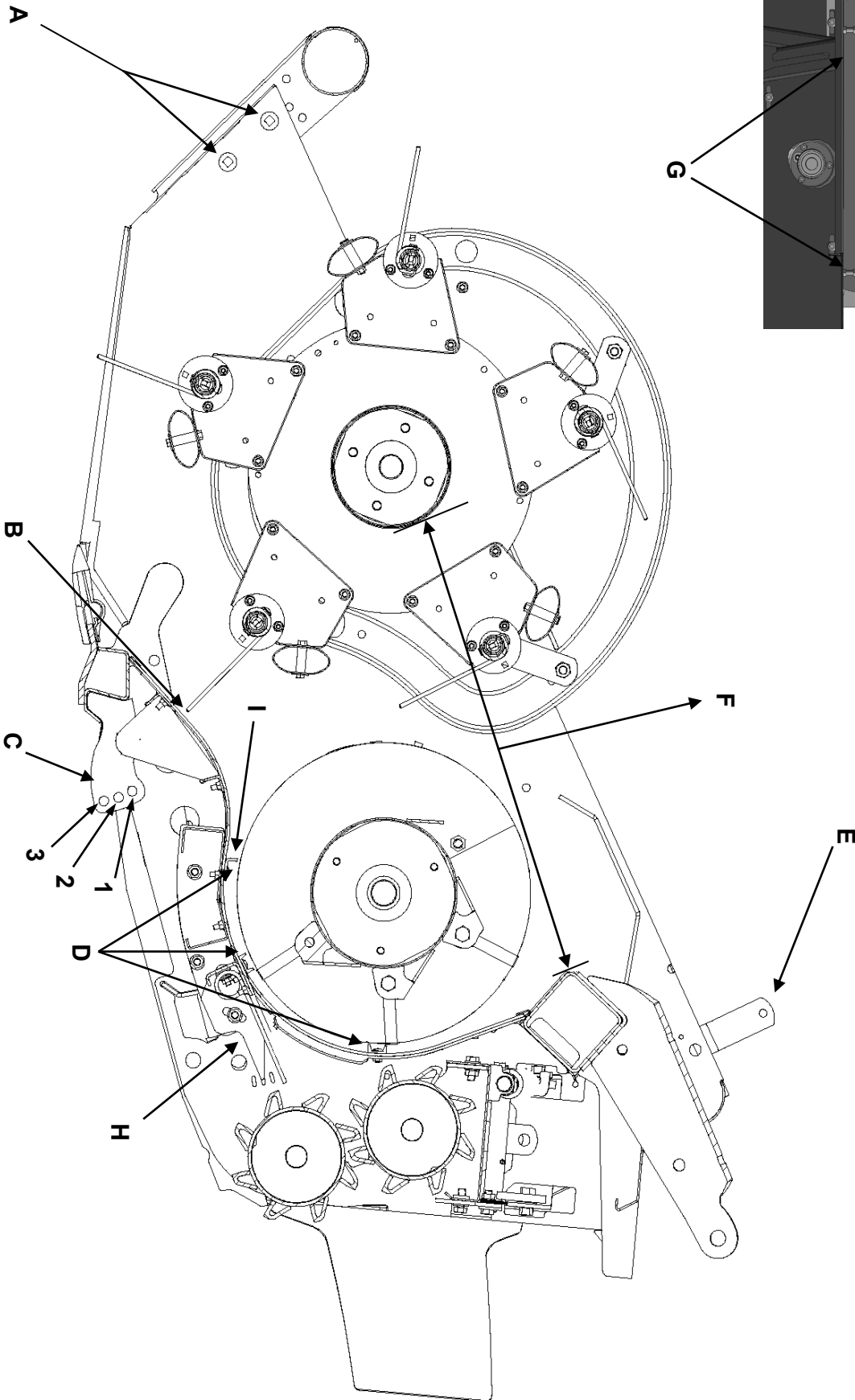
- A. **Lean Bar** - See Figure 7  
Height should be set at 2/3's of the crop height; this will bend the crop forward exposing the stalks to sickle. In tall crops (5 ft. +) consider installing optional Tall Crop Divider Kit which includes lean bar extensions to raise lean bar higher.
- B. **Reel Tine Finger to Pan Clearance** - See Figure 7  
Setting the reel tine to pan gap ensures that the reel tines are close enough to the cutter bar/pan to move the crop effectively off the cutter bar and into the auger. The reel tine fingers should be 1/8"– 3/8" (3mm-9mm) away from the pan. If there are a few reel tine fingers that are touching the pan while the rest of them are at the proper height, trim the longer tines to match the rest. Be sure to adjust both sides of the reel. Ensure that tines do not contact the plastic header pan.
- C. **Skid Shoe Position** - See Figure 7  
Adjusting the skid shoe position will change the cutterbar height. Raise header, pull the pin from the skid shoe, adjust to the desired height and re-insert pin. Position 1: Fully raised shoe = lowest cutting height. Position 2: Mid-range setting. Position 3: Fully lowered shoe = highest cutting height.  
NOTE: Gauge rollers are an option for A-series headers.
- D. **Auger to Stripper Bar Clearance** - See Figure 7  
Setting the auger to stripper bar clearance will help with moving the crop from the sides of the header into the conditioner more evenly. There should be a gap of 1/32 - 5/32" (1-4 mm).
- E. **Conditioner Roll Gap Adjustment** - See Figure 7  
The roll gap will determine how much the crop is conditioned. To increase the roll gap, loosen the jam nut and turn the lower nut clockwise. To decrease the roll gap turn the lower nut counter clockwise. Tighten the jam nut to secure the position. Suggested initial settings: Medium Alfalfa – 1/4 to 3/8" (6-10 mm) / Large Stalk, Tall Crops (Sudan) – 1" (25 mm) / Timothy, Wild Grass – 1/4" (6 mm).
- F. **Reel Position Adjustment** - See Figure 7  
Reel fore/aft position is factory set at 32.25" (819 mm) from the reel tube to the tube on the rear of the frame, which is suitable for most crop conditions. In severely down or lodged crop, the reel can be moved forward to increase crop lifting action. For optimum feeding in lighter crops, the distance between reel and auger must be as close as possible. An alternative to moving reel forward is to tilt header forward until tines just brush the ground.
- G. **Reel Cam Pitch Adjustment** - See Figure 7  
The reel cam pitch can be adjusted to change the aggressiveness of the reel tines as they enter the crop. Increasing the tine aggressiveness will also raise the release point in front of the auger. Reel is factory set with a 1/2" (13 mm) difference between the front and rear cam adjuster bolts, the front bolt being the lower of the two. To increase reel tine aggressiveness, lower the front bolt and raise the rear bolt.
- H. **Feed Pan / Rock Drop Tine Adjustment** - See Figure 7  
Adjust pan up for light crops and down for tall, heavy crops.
- I. **Front Stripper Bar Extensions** - See Figure 7  
Depending on crop type and conditions it may be necessary to add the 8" (203 mm) long front stripper extensions at the delivery opening. Extensions can be added to reduce end feeding in tall crops. Remove extensions if excessive center feeding occurs.
- J. **Auger Speed**  
Adjusting the auger speed can change your windrow shape. Increasing the auger speed will throw more crop to the middle of the windrow, and decreasing the speed will allow crop to fill the outside edges.

### A Series Auger Header Quick Card

Note: The following settings are intended as a starting point and may require fine tuning as the crop and field conditions dictate



On the R/H side of the reel adjustment bolts control the reel pitch and height. On the L/H side the adjustment bolts control the reel height only.



**Figure 7**

**IMPORTANT - For windrowers with Reverser Kit B4656:** To prevent draper header reel damage and improper operation: If switching between A40 Auger Header and Draper Header, hose plumbing to reverser valve must be changed to suit header type. See Instruction 169213 for proper plumbing for each header type.