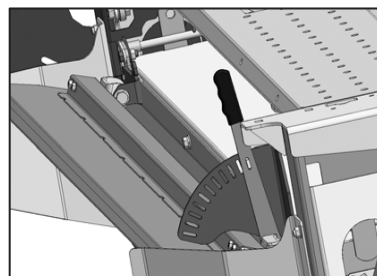


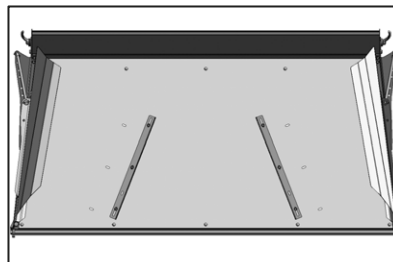
Center Baffle Position

- For narrower windrows, the center baffle is usually in full up position.
- Handle can be lowered 1 or 2 notches to prevent crop from being projected above the forming shield top cover.
- Position the center baffle all the way down to obtain maximum swath width.



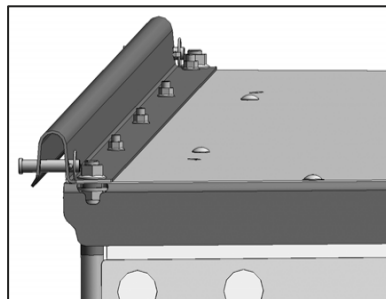
Inner Deflecting Fins

- Fins are bolted underneath the forming shield.
- Fins aid in distributing crop material evenly throughout the windrow.
- Removing or adding fins will change crop flow. Each fin can be mounted in three alternative positions.
- Position fins to obtain even crop distribution across full width of the windrow/swath.



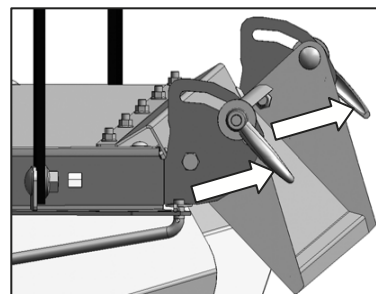
Forming Shield Front Mounting Point

- Mount forming shield front support bolt in the upper hole in the tractor lift linkage.
- For smoother windrows in lighter crops, the lower hole in the lift linkage may be used so that the crop flow engages the forming shield closer to the front edge.
- When using the DWA attachment, the front of the forming shield must be mounted to the upper hole in the lift linkage.



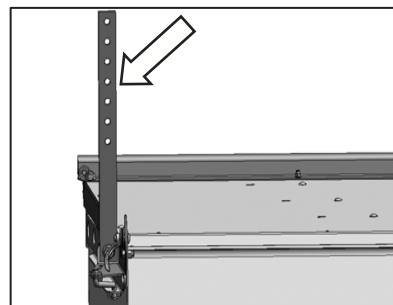
Rear Baffle Fluffer Adjustment

- Loosen handle (shown), and raise or lower baffle to adjust the angle.
- Tighten handle to lock its position (**NOTE:** This must be done on **both** sides).
- A greater angle (i.e., baffle pointed down) will allow for "fluffy" windrows.
- An excessively steep baffle angle may cause an uneven windrow.
- When using DWA, position the rear baffle in the highest position. (**NOTE:** It may be necessary to lower the LH side to direct crop onto the DWA belt).



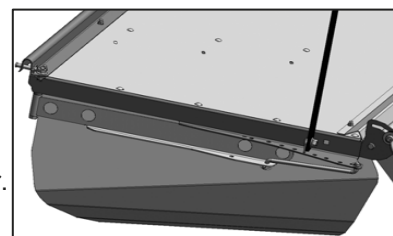
Forming Shield Rear Height Adjustment

- Remove the hair pin that secures the strap to the windrower.
- Lower or raise shield to the desired height. Re-insert the hair pin.
- Generally, the fourth hole from the top of the strap (shown) provides a good starting position for most crops.
- Lower rear of the forming shield if the crop is not hitting the top cover.
- When using DWA, use the highest forming shield position.



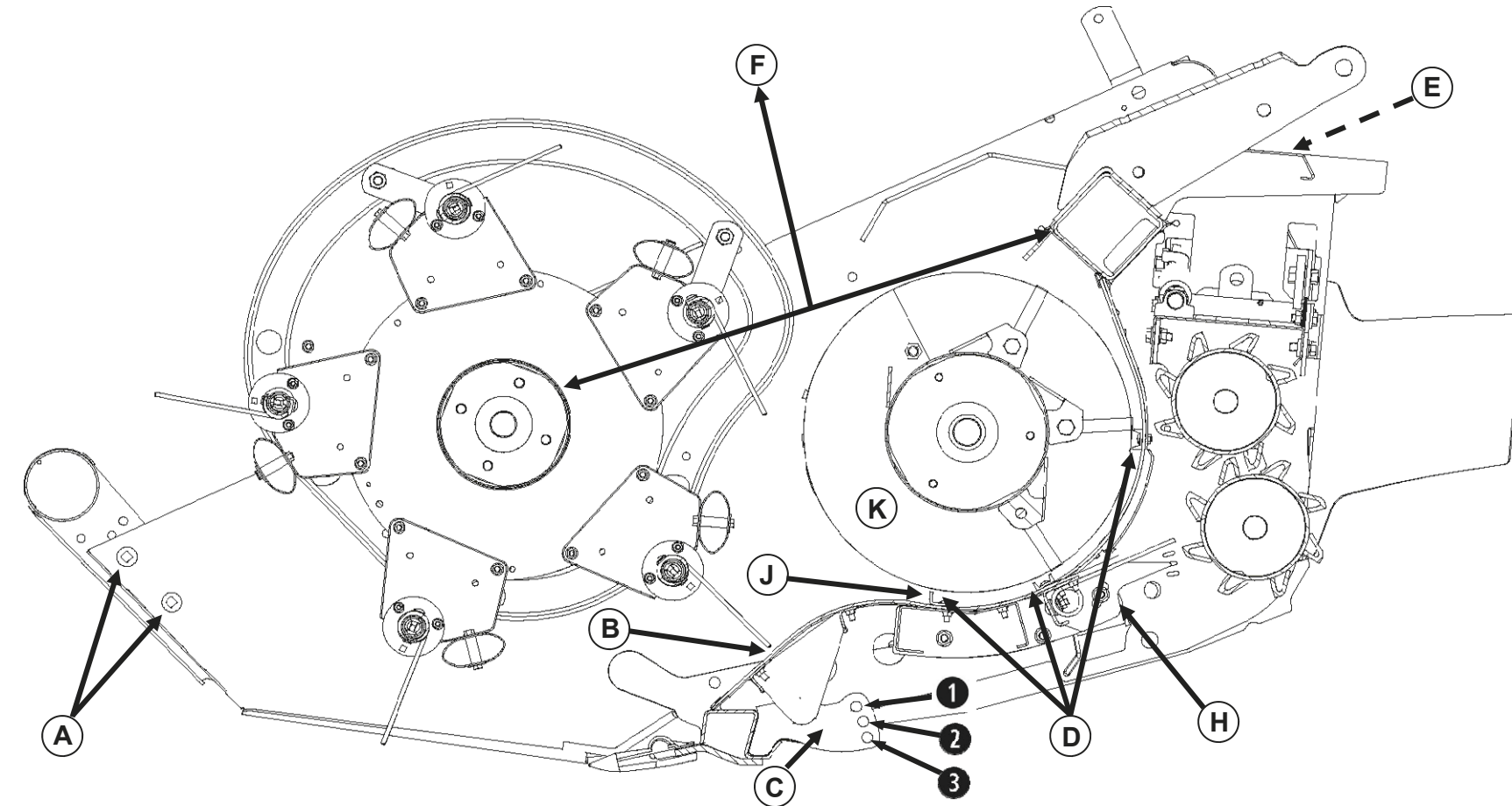
Windrow Width Adjustment

- Remove the lynch pin.
- Move arm into the desired position. Re-insert the lynch pin.
- For narrow windrow, use holes closest to the header.
- For wider windrow, use holes furthest away from the header.

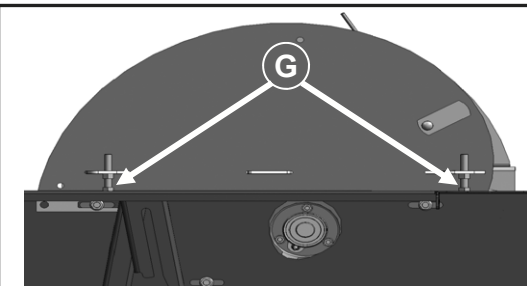


Crop Type	Crop Condition TPA (tons per acre)	Field Condition	Header Height	Header Angle	Knife Speed	Reel RPM	Float (LBS)	Feed Pan Position	Roll Gap
Alfalfa	> 3 TPA	Smooth	0 in.	7.0–8.0	1600–1800	73–77	70–80	Lower Slot	5/8 in.
		Rocky		5.5–6.5			60–70		
	2–3 TPA	Smooth	0 in.	7.0–8.0	1600–1800	70–75	70–80	Center Slot	1/2 in.
		Rocky		5.5–6.5			60–70		
	< 2 TPA	Smooth	0 in.	8.0–8.5	1600–1800	65–70	75–85	Upper Slot	3/8 in.
		Rocky		5.5–6.5			65–70		
	Lodged	Smooth	0 in.	7.5–8.5	1600–1800	73–77	80–90	Variable	see above
		Rocky		5.5–6.5			65–75		
Timothy	> 2.5 TPA	Smooth	2.5–3 in.	7.0–8.0	1850–1950	70–75	70–80	Lower Slot	3/8 in.
		Rocky		5.5–6.0			60–70		
	< 2.5 TPA	Smooth	2.5–3 in.	7.0–8.0	1850–1950	65–70	70–80	Center Slot	1/4 in.
		Rocky		5.5–6.0			60–70		
	Lodged	Smooth	2.5–3 in.	7.0–8.5	1850–1950	70–75	80–90	Variable	see above
		Rocky		5.5–6.0			65–75		
Sudan/Tall Crop	> 3 TPA	Smooth	6 in.	7.0–8.0	1700–1850	70–75	70–80	Lower Slot	3/4 in.
		Rocky		5.5–6.0			60–70		
	< 3 TPA	Smooth	6 in.	7.0–8.0	1700–1850	65–70	70–80	Center Slot	5/8 in.
		Rocky		5.5–6.0			60–70		
	Lodged	Smooth	6 in.	7.5–8.5	1700–1850	70–75	80–90	Variable	see above
		Rocky		6.0–6.5			65–75		
Triticale (winter forage)	> 10 TPA	Smooth	0 in.	7.0–8.0	1600–1800	70–75	70–80	Lower Slot	1 inch
		Rocky		5.5–6.5			60–70		
	< 10 TPA	Smooth	0 in.	7.5–8.5	1600–1800	60–65	75–85	Center Slot	1 inch
		Rocky		6.0–6.5			65–70		
	Lodged	Smooth	0 in.	7.5–8.5	1600–1800	70–75	80–90	Variable	see above
		Rocky		6.0–6.5			65–75		
Wild/Grass Hay	> 3.5 TPA	Smooth	0 in.	7.5–8.0	1850–1950	73–77	70–80	Lower Slot	3/8 in.
		Rocky		5.5–6.5			60–70		
	2–3 TPA	Smooth	0 in.	7.5–8.0	1850–1950	70–75	70–80	Center Slot	1/4 in.
		Rocky		5.5–6.5			60–70		
	<2 TPA	Smooth	0 in.	7.5–8.5	1850–1950	65–70	75–85	Upper Slot	1/4 in.
		Rocky		6.0–6.5			65–75		
	Lodged	Smooth	0 in.	7.5–8.5	1850–1950	73–77	80–90	Variable	see above
		Rocky		6.0–6.5			65–75		

IMPORTANT - For windrowers with Reverser Kit B4656: To prevent draper header reel damage and improper operation: If switching between A40 Auger Header and Draper Header, **hose plumbing to reverser valve must be changed to suit the header type.** See Instruction MD Part #169213 for proper plumbing for each header type.



<p>H Feed Pan / Rock Drop Tine Adjustment</p>	<ul style="list-style-type: none"> Adjust pan up for light crops and down for tall, heavy crops.
<p>J Front Stripper Bar Extensions</p>	<ul style="list-style-type: none"> Depending on crop type and conditions, it may be necessary to add 8 in. (203 mm) long front stripper extensions at the delivery opening. Extensions can be added to reduce end feeding in tall crops. Remove extensions if excessive center feeding occurs.
<p>K Auger Speed</p>	<ul style="list-style-type: none"> Auger speed adjustment on A30 series is via sprocket. A40 series is hydraulic. Adjusting auger speed can change your windrow shape. <ul style="list-style-type: none"> Increasing auger speed will throw more crop to the middle of the windrow. Decreasing auger speed will allow crop to fill the outside edges.



- G Reel Cam Pitch Adjustment Bolts:**
- On the RH side of the reel, adjustment bolts control reel pitch **and** height.
 - On the LH side of the reel, adjustment bolts control the reel height **only**.

<p>A Lean Bar</p>	<ul style="list-style-type: none"> Height should be set at 2/3 (two-thirds) of the crop height. This will bend the crop forward exposing the stalks to the sickle. In tall crops (more than 5 ft.[1.52 m]), consider installing the optional Tall Crop Divider Kit (B4690) that includes lean bar extensions to raise the lean bar higher.
<p>B Reel Tine Finger to Pan Clearance</p>	<ul style="list-style-type: none"> Setting the reel tine to pan gap ensures that reel tines are close enough to the cutter bar/pan to move crop effectively off the cutter bar, and into the auger. Reel tine fingers should be 0.08–0.39 in. (2–10 mm) away from the pan. IMPORTANT: If there are a few reel tine fingers that are touching the pan while the rest are at the correct height, trim the longer tines to match the rest. Be sure to adjust both sides of the reel. Ensure that tines do NOT contact plastic header pan.
<p>C Skid Shoe Position</p>	<ul style="list-style-type: none"> Adjusting the skid shoe position will change the cutter bar height. <ol style="list-style-type: none"> Raise header, engage windrower cylinder stops, and pull the pin from skid shoe. Adjust to the desired height, and re-insert pin. <p>Position 1 - fully raised shoe = lowest cutting height Position 2 - mid-range setting Position 3 - fully lowered shoe = highest cutting height</p> NOTE: Gauge rollers are optional for A series headers.
<p>D Auger to Stripper Bar Clearance</p>	<ul style="list-style-type: none"> Setting the auger to stripper bar clearance will help move the crop more evenly from the sides of the header into the conditioner. There should be a gap of 1/32–5/32 in. (1–4mm).
<p>E Conditioner Roll Gap Adjustment (the amount of conditioning action)</p>	<ul style="list-style-type: none"> The roll gap determines how much the crop is conditioned. <ol style="list-style-type: none"> To reduce conditioning: increase roll gap, loosen jam nut, and turn lower nut clockwise. To increase conditioning, decrease roll gap, turn lower nut counterclockwise. Then, tighten the jam nut to secure the position. Suggested initial settings: <ul style="list-style-type: none"> Medium Alfalfa: 1/4–3/8in. (6–10 mm) / Large Stalk Tall Crops (Sudan): 1 in. (25 mm) / Timothy Wild Grass: 1/4 in. (6 mm)
<p>F Reel Position Adjustment</p>	<ul style="list-style-type: none"> Reel fore-aft position is factory set at 32.25 in. (819 mm) from the reel tube to the tube on the rear of the frame (suitable for most crop conditions). In severely down or lodged crops, the reel can be moved forward to increase crop lifting action. For optimum feeding in lighter crops, the distance between reel and auger must be as close as possible. An alternative to moving the reel forward is to tilt the header forward until the tines just brush the ground.
<p>G Reel Cam Pitch Adjustment</p>	<ul style="list-style-type: none"> Reel cam pitch can be adjusted to change the aggressiveness of the reel tines as they enter the crop. Increasing tine aggressiveness also raises the release point in front of the auger. Reel is factory-set with 1/2 in. (12.5 mm) difference between the front and rear cam adjuster bolts. NOTE: The front bolt is the lower of the two bolts. To increase reel tine aggressiveness, lower the front bolt, and raise the rear bolt. <ul style="list-style-type: none"> On RH side of the reel, adjustment bolts control reel pitch and height. On LH side of the reel, adjustment bolts control the reel height only. NOTE: Slacken reel cam and endsheet bolts before adjusting tighter after making adjustments.