

**Model 1052 / 972 Header  
& Combine Adapter  
EUROPEAN UPGRADE PACKAGE  
PARTS CATALOG SUPPLEMENT**

**HEADER COMPONENTS**

Reel Support Arms & Related Parts ..... 2

Vertical Knife Supports ..... 3

Floating Dividers..... 4, 5

Upper Cross Auger ..... 6, 7

Upper Cross Auger Hydraulics..... 8

Upper Cross Auger Rear Shielding..... 9

Backsheet Closure Panels ..... 10

Draper Motor Case Drain Kit..... 11

**COMBINE ADAPTER COMPONENTS**

Adapter Draper Motor Case Drain & Auger Reverser Kits ..... 12

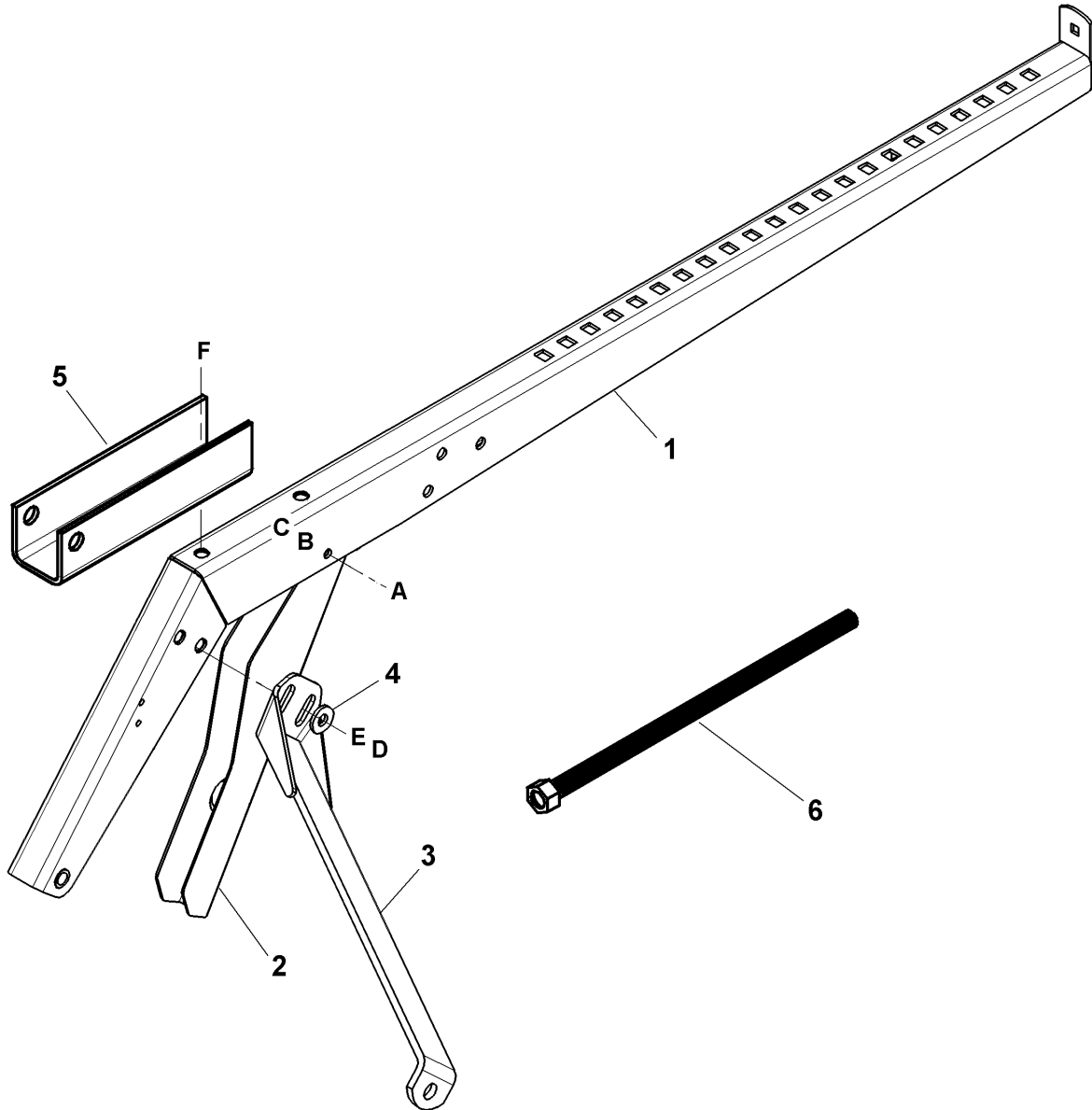
Seed Saver Attachment..... 13

CE Driveline – New Holland Combine ..... 14

**NUMERICAL LIST ..... 15**

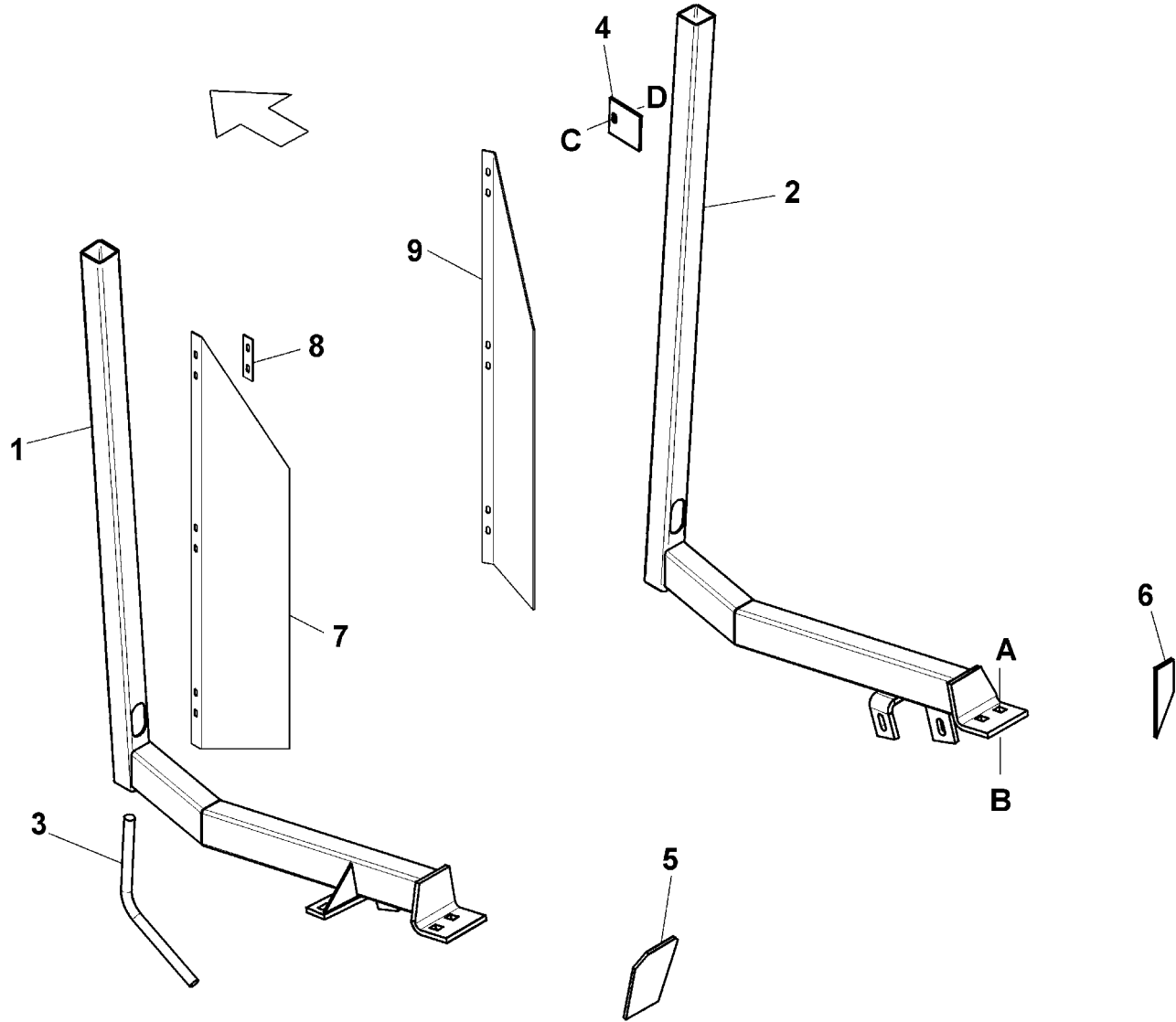
<p><b>NOTE: Parts from the upgrade package not included in this Supplement can be found in the 972 Header or 872 Adapter Parts Catalogs. Copies of these Catalogs are provided with your upgrade package.</b></p>
---

REEL SUPPORT ARMS & RELATED PARTS



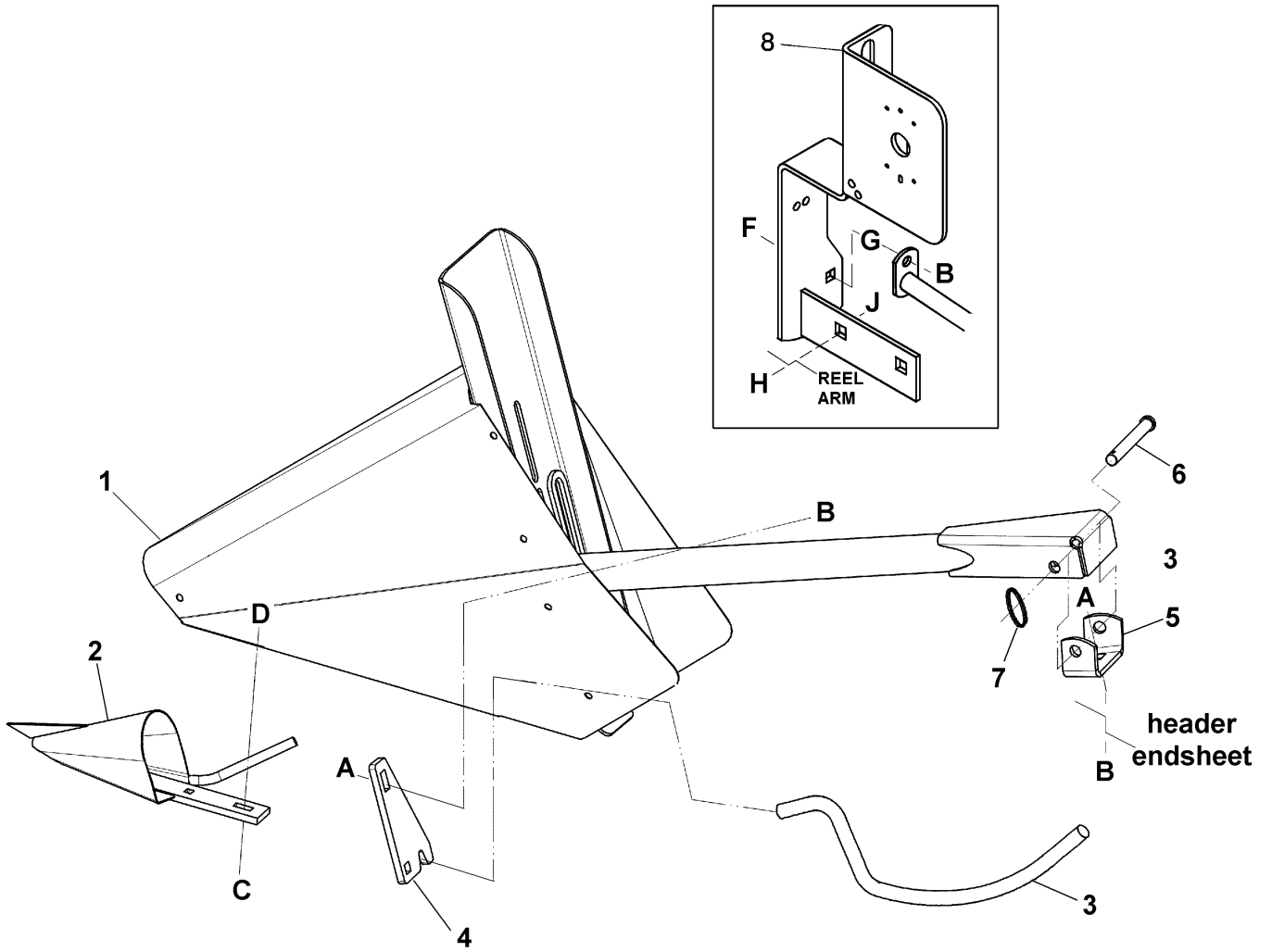
REF	PART NUMBER	DESCRIPTION	QTY.	SERIAL NUMBER
1	118165	ARM – reel support, left .....	1	
	118176	ARM – reel support, right .....	1	
2	118173	SUPPORT – reel prop .....	2	
3	118169	BRACE – diagonal .....	2	
4	22072	WASHER – flat .....	4	
5	117322	SUPPORT – reel fore-aft cylinder .....	1	
6	118334	ROD – threaded, reel clearance adjuster .....	2	
A	21575	BOLT – hex head, ½ NC x 1 inch		
B	18638	WASHER – lock, ½ inch		
C	18591	NUT – hex, ½ NC		
D	21594	BOLT – hex head, 5/8 NC x 1 ½ inch		
E	18639	WASHER – lock, 5/8 inch		
F	21585	BOLT – hex head, 5/8 NC x 1 ¼ inch		

VERTICAL KNIFE SUPPORTS



REF	PART NUMBER	DESCRIPTION	QTY.	SERIAL NUMBER
1	117319	SUPPORT – vertical knife, left.....	1	
2	117323	SUPPORT – vertical knife, right .....	1	
3	117311	ROD – divider support .....	2	
4	117316	PLATE – mounting, vertical knife (weld to support tube).....	4	
5	117313	GUSSET – left endsheet (welded).....	1	
6	117314	GUSSET – right endsheet (welded) .....	2	
7	118200	DEFLECTOR – left .....	1	
8	118201	BAR – deflector mounting.....	6	
9	118191	DEFLECTOR – right .....	1	
A	21471	BOLT – round head, square neck, ½ NC x 1 ¼ inch		
B	50186	NUT – lock, smooth flange, ½ NC distorted thread		
C	19966	BOLT – round head, square neck, 3/8 NC x 1 ¼ inch		
D	30228	NUT – lock, smooth flange, 3/8 NC distorted thread		

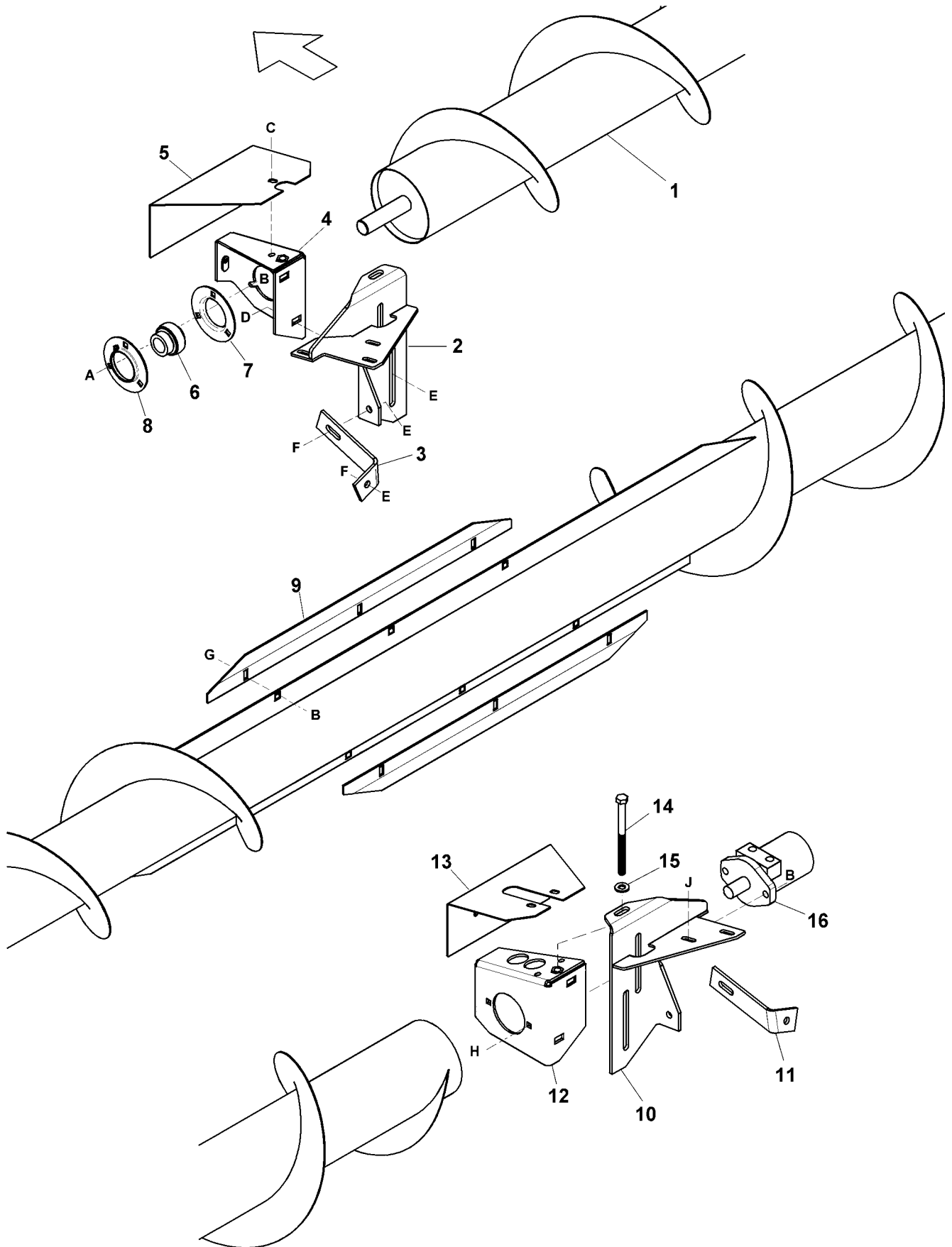
# FLOATING DIVIDERS – European Headers



## FLOATING DIVIDERS – European Headers

REF	PART NUMBER	DESCRIPTION	QTY.	SERIAL NUMBER
•	B 2871	FLOATING CROP DIVIDERS – European Headers .....	1	
1	113788	DIVIDER – left.....	1	
	113811	DIVIDER – right .....	1	
2	113646	DIVIDER CONE – left .....	1	
	113819	DIVIDER CONE – right.....	1	
3	113640	ROD – divider mounting.....	2	
4	113790	STOP – divider height.....	2	
5	113794	SUPPORT – rear .....	2	
6	113813	PIN – clevis .....	2	
7	118137	RING – split.....	2	
8	117057	SUPPORT – light, with reflector .....	1	
		(units with slow speed transport option) (was 113942)		
A	21066	BOLT – round head, square neck, ½ NC x 1 inch		
B	50186	NUT – lock, smooth flange, ½ NC distorted thread		
C	19965	BOLT – round head, square neck, 3/8 NC x 1 inch		
D	30228	NUT – lock, smooth flange, 3/8 NC distorted thread		
F	21469	BOLT – round head, square neck, ½ NC x 1-1/2 inch		
G	18591	NUT – hex, ½ NC		
H	18523	BOLT – round head, square neck, 5/8 NC x 1-1/2 inch (without hyd. reel fore-aft option)		
	18524	BOLT – round head, square neck, 5/8 NC x 2 inch (with hyd. reel fore-aft option)		
J	50225	NUT – lock, smooth flange, 5/8 NC, distorted thread		

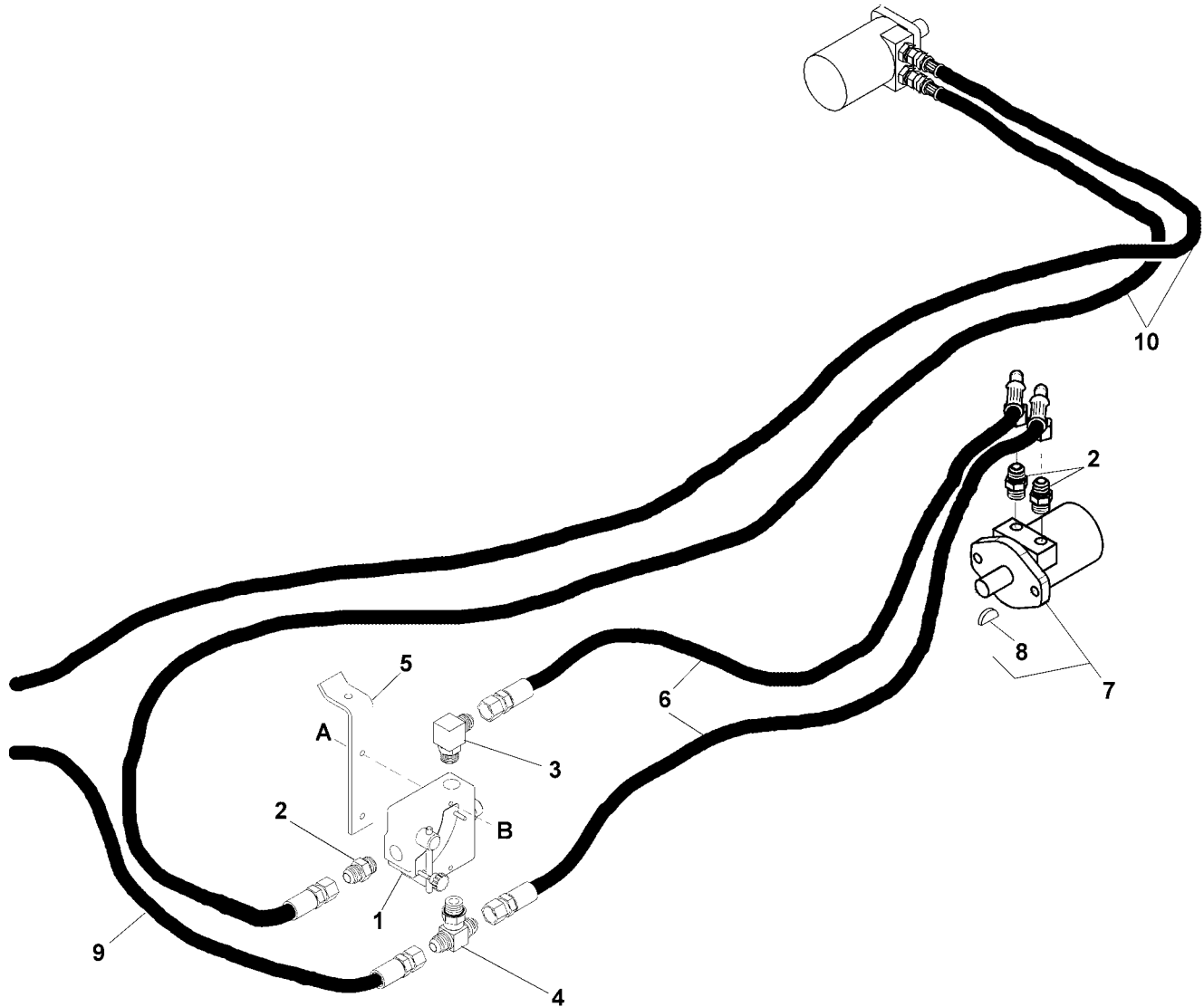
# UPPER CROSS AUGER



## UPPER CROSS AUGER

REF	PART NUMBER	DESCRIPTION	QTY.	SERIAL NUMBER
1	118120	AUGER – upper cross, 6.4 m (21') .....	1	
	118158	AUGER – upper cross, 7.6 m (25') .....	1	
2	118151	SUPPORT – left, auger mounting.....	1	
3	118320	BRACE – left, auger mounting.....	1	
4	118312	SUPPORT – left, bearing mount.....	1	
5	118140	SHIELD – left .....	1	
6	21859	BEARING – ball, with lock collar.....	1	
7	49306	FLANGE – bearing.....	1	
8	30661	FLANGE – bearing, with lube fitting.....	1	
9	118254	BEATER – auger .....	2	
10	118134	SUPPORT – right, auger mounting .....	1	
11	118190	BRACE – right, auger mounting .....	1	
12	118311	SUPPORT – right, motor mount .....	1	
13	118138	SHIELD – right .....	1	
14	50226	BOLT – hex head, ½ NC x 6 ½ inch, thread full length .....	2	
15	18599	WASHER – flat, 17/32 inch I.D. ....	2	
16	REF	MOTOR – hydraulic, upper cross auger, see next page		
A	19965	BOLT – round head, square neck, 3/8 NC x 1 inch		
B	30228	NUT – lock, smooth flange, 3/8 NC distorted thread		
C	30693	BOLT – flange head, 3/8 NC x ½ inch		
D	21868	BOLT – round head, short square neck, ½ NC x 1 inch		
E	50186	NUT – lock, smooth flange, ½ NC distorted thread		
F	21575	BOLT – hex head, ½ NC x 1 inch		
G	21863	BOLT – round head, short square neck, 3/8 NC x ¾ inch		
H	19966	BOLT – round head, square neck, 3/8 NC x 1 ¼ inch		
J	101898	BOLT – hex head, 3/8 x 5/8 inch, thread forming		

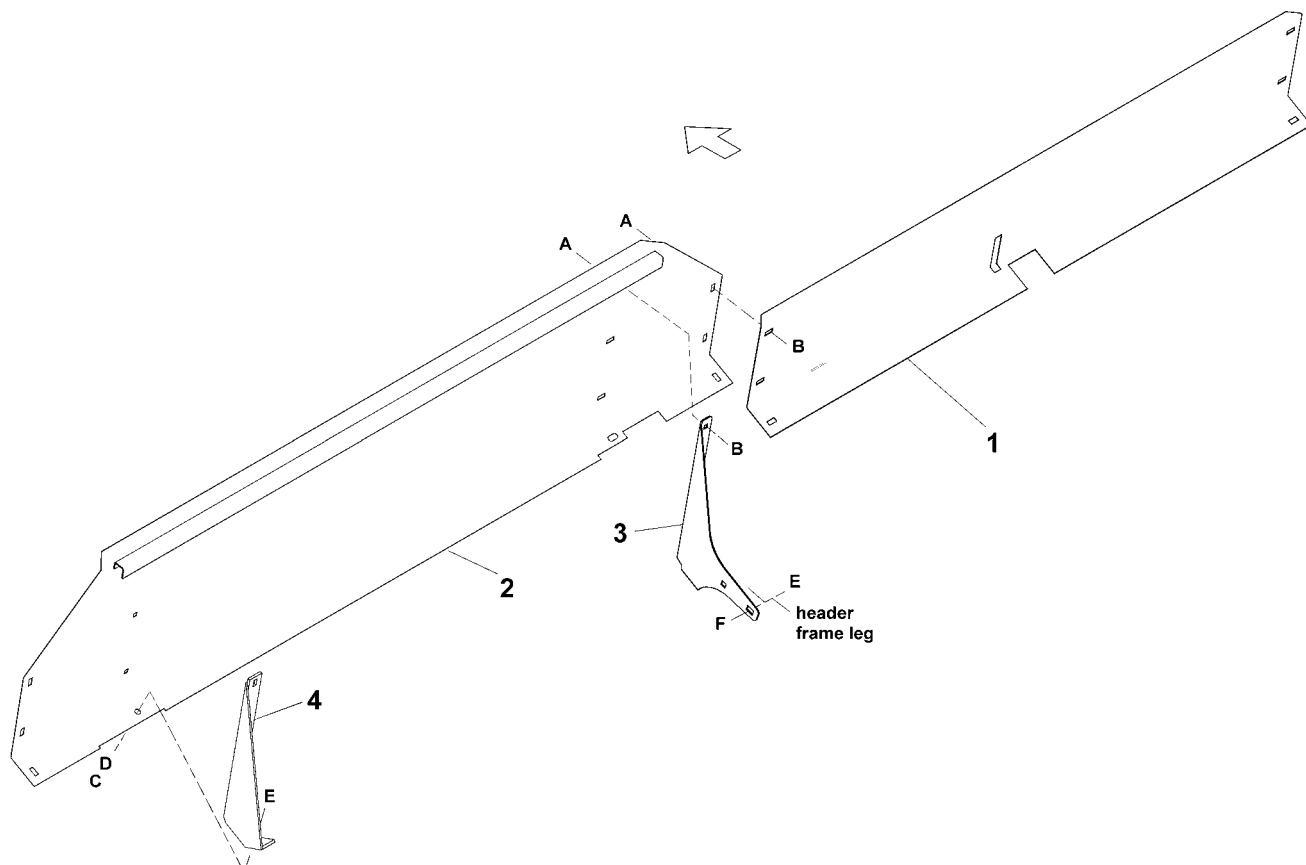
UPPER CROSS AUGER HYDRAULICS



REF	PART NUMBER	DESCRIPTION	QTY.	SERIAL NUMBER
1	37710	VALVE – flow control .....	1	
	30054	SEAL KIT – for valve 37710		
2	30695	FITTING – adapter, 7/8 O-ring x 5/8 tube.....	3	
3	21843	FITTING - 90° elbow, 7/8 O-ring x 5/8 tube.....	1	
4	30560	FITTING – male run tee, 7/8 O-ring x 5/8 tube x 5/8 tube.....	1	
	44210	O-RING – for 7/8 fittings items 2, 3, and 4		
5	118192	SUPPORT – valve mount .....	1	
6	118323	HOSE – valve CF port to auger motor front port, and valve EX port to auger motor rear port.....	2	
7	38688	MOTOR – hydraulic, upper cross auger, includes key (item 8).....	1	
	101670	SEAL KIT – for motor 38688		
8	2149	KEY – Woodruff, SAE #15 (1/4 thick x 1 inch diameter) .....	1	
9	114113	HOSE – valve EX port to reel drive return.....	1	
10	REF	HOSE – existing, pressure to reel drive motor top port, and existing, return from motor bottom port to valve IN port		
A	5252	BOLT – hex head, 5/16 NC x 2 ¼ inch		
B	30280	NUT – lock, smooth flange, 5/16 NC distorted thread		

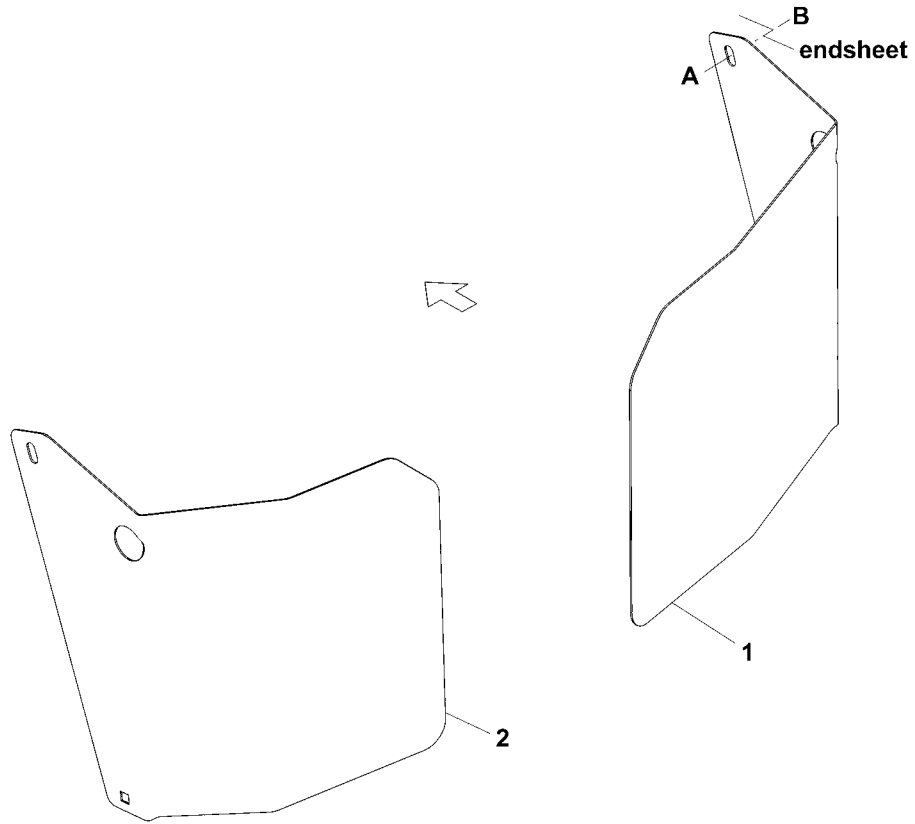


UPPER CROSS AUGER – REAR SHIELDING



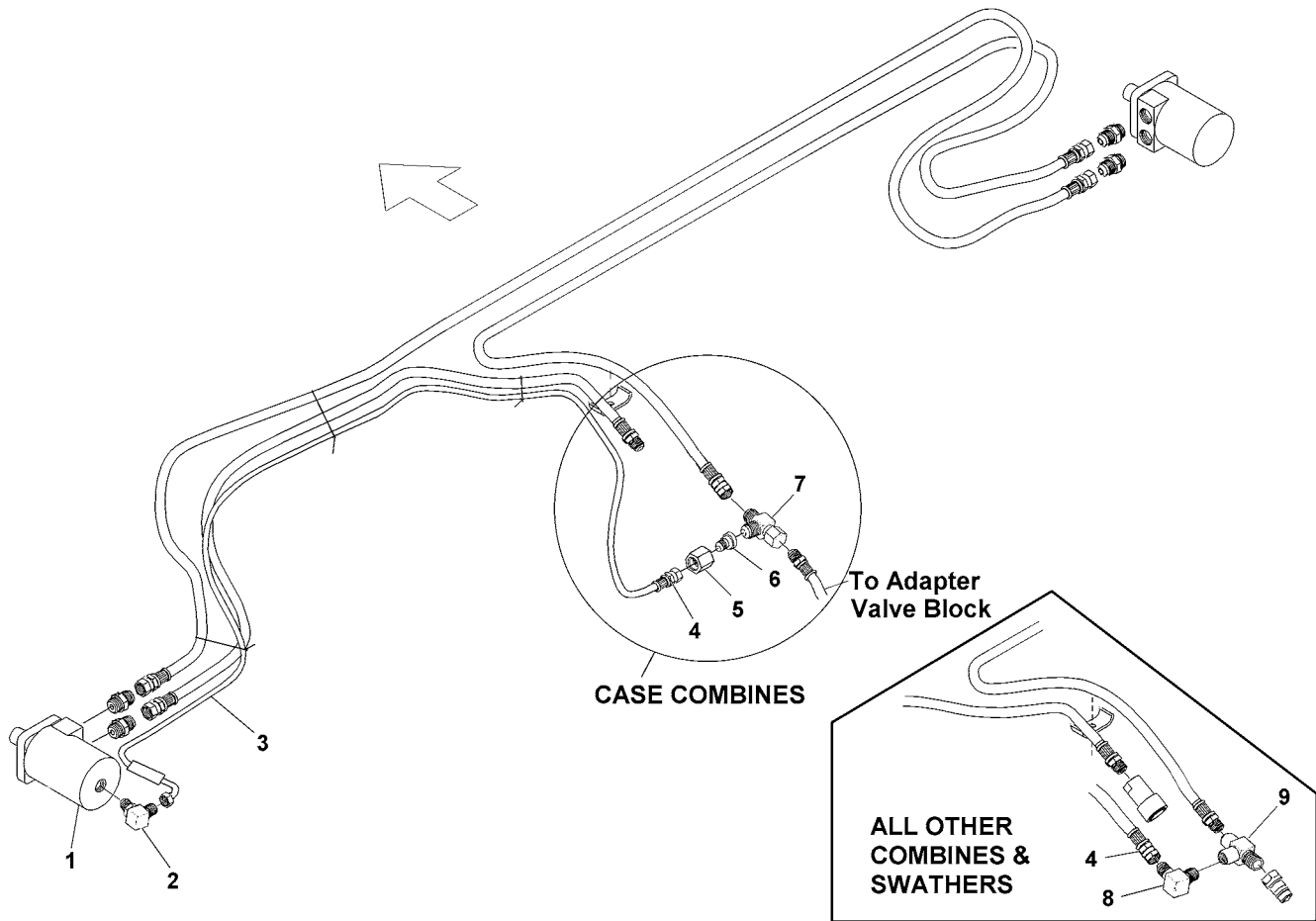
REF	PART NUMBER	DESCRIPTION	QTY.	SERIAL NUMBER
1	118319	SHIELD – center, upper cross auger .....	1	
2	118332	SHIELD – outer, upper cross auger, 21' header .....	2	
	118336	SHIELD – outer, upper cross auger, 25' header .....	2	
3	118318	SUPPORT – inner, left.....	1	
	118322	SUPPORT – inner, right.....	1	
4	118330	SUPPORT – outer .....	2	
A	21863	BOLT – round head, short square neck, 3/8 NC x 3/4 inch		
B	30228	NUT – lock, smooth flange, 3/8 NC distorted thread		
C	21575	BOLT – hex head, 1/2 NC x 1 inch		
D	18599	WASHER – flat, 17/32 inch I.D.		
E	50186	NUT – lock, smooth flange, 1/2 NC distorted thread		
F	105069	BOLT – round head, short square neck, 1/2 NC x 3/4 inch		

**BACKSHEET CLOSURE PANELS**



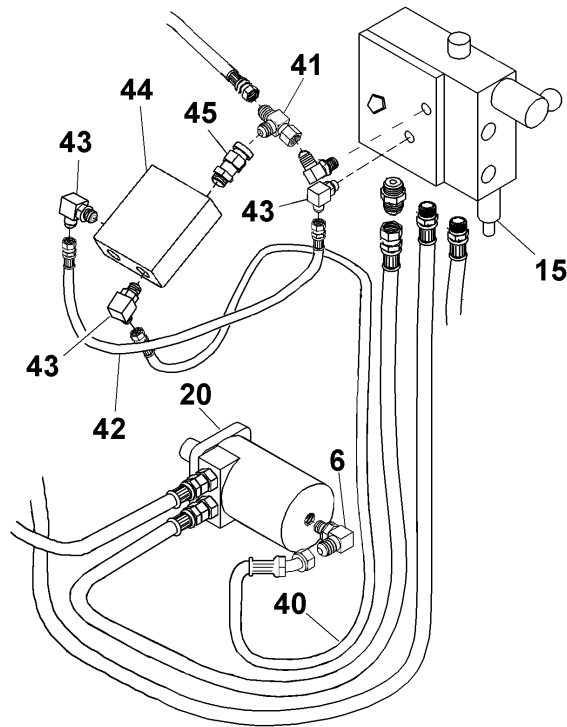
REF	PART NUMBER	DESCRIPTION	QTY.	SERIAL NUMBER
1	118178	PANEL – backsheet closure, right outboard end.....	1	
2	118308	PANEL – backsheet closure, left outboard end.....	1	
A	21863	BOLT – round head, short square neck, 3/8 NC x 3/4 inch		
B	30228	NUT – lock, smooth flange, 3/8 NC distorted thread		

**DRAPER MOTOR CASE DRAIN KIT**



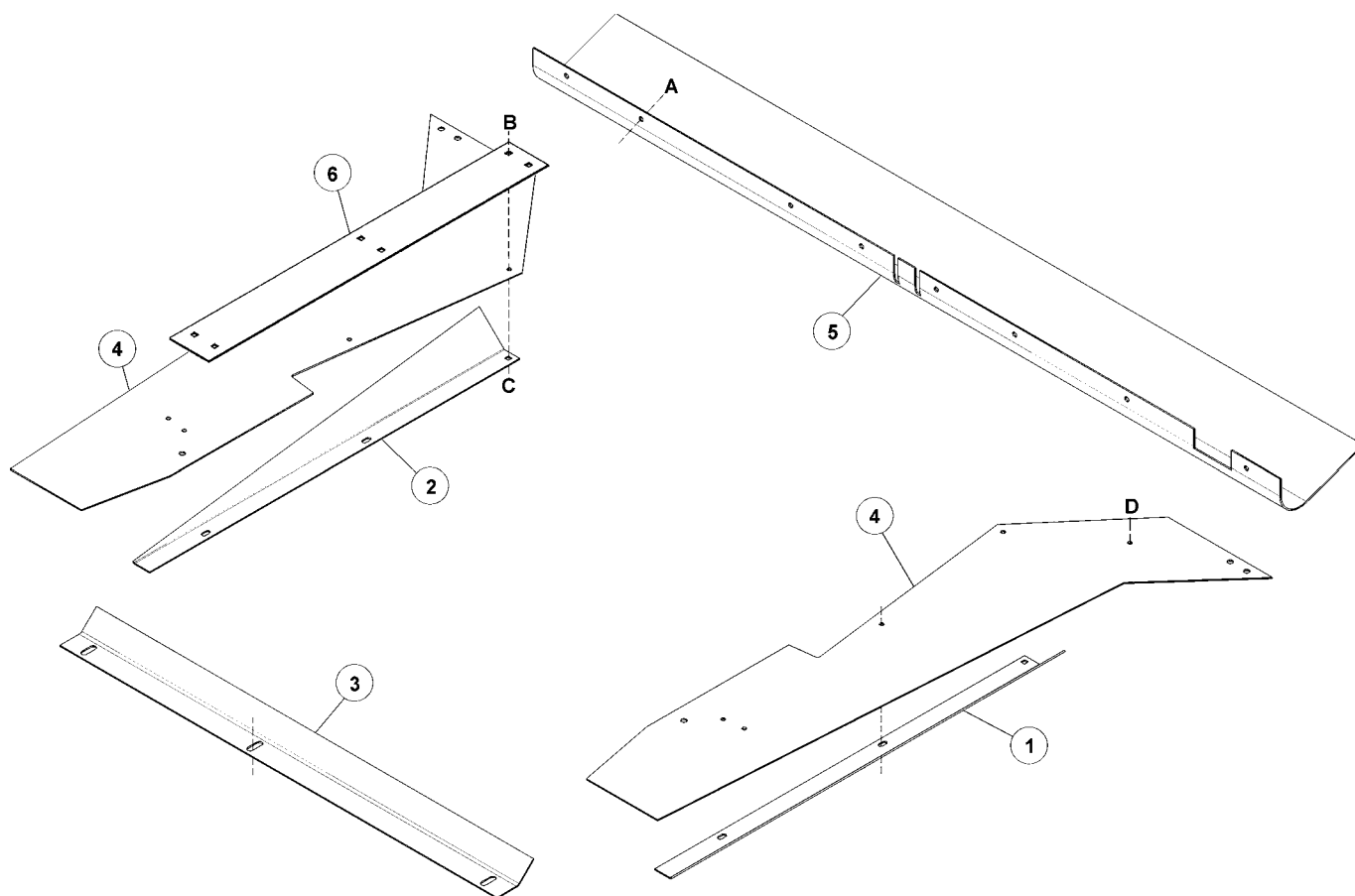
REF	PART NUMBER	DESCRIPTION	QTY.	SERIAL NUMBER
1	114319	MOTOR – draper drive, with key .....	1	
	101670	SEAL KIT - for motor .....		
2	50104	FITTING - 90° elbow, 7/16 O-ring x 3/8 tube .....	1	
3	118097	HOSE – draper motor case drain .....	1	
4	101000	FITTING – hose end .....	1	
5	21744	NUT – 5/8 tube.....	1	
6	118084	FITTING – reducing adapter, 5/8 tube x 3/8 tube.....	1	
7	50102	FITTING – run tee, 5/8 tube male (2) x 5/8 tube swivel female.....	1	
8	118101	FITTING - 90° elbow, 3/8 tube x ½ NPT.....	1	
9	118102	FITTING – service tee, ½ NPT female (2) x ½ NPT male.....	1	

**ADAPTER DRAPER MOTOR CASE DRAIN  
& AUGER REVERSER KITS**



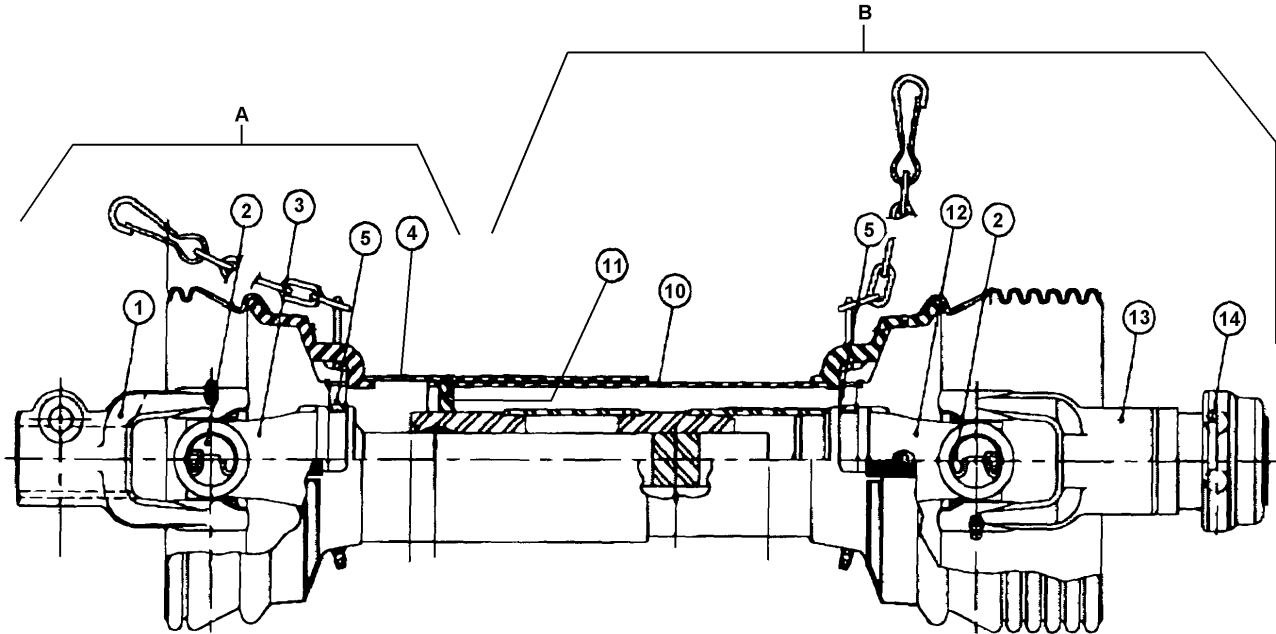
REF	PART NUMBER	DESCRIPTION	QTY.	SERIAL NUMBER
6	50104	FITTING - 90° elbow, 7/16 O-ring x 3/8 tube .....	1	
15	123030	VALVE BLOCK – complete (supplied for 1998 units only) .....	1	
	123110	VALVE - relief, cartridge RV50-26A-0-P-50/31 (all units).....	1	
20	114319	MOTOR – draper drive, with key .....	1	
	101670	SEAL KIT - for motor		
40	114320	HOSE – draper motor case drain .....	1	
41	30873	FITTING – swivel run tee, 3/8 tube.....	1	
	114364	REVERSING KIT – feed auger, includes items 42 to 45		
42	123337	HOSE – reversing kit .....	1	
43	30282	FITTING - 90° elbow, 9/16 O-ring x 3/8 tube.....	3	
	50219	O-RING - for 9/16 fitting		
44	114356	VALVE – check, reversing – complete .....	1	
	123321	VALVE – check, pilot operated, PC1, cartridge PC08-30-0-N		
	123318	VALVE – check, CV1, cartridge CV10-20-0-N-02		
45	135015	FITTING – adapter, 9/16 O-ring x 3/8 tube.....	1	

## SEED SAVER (Attachment) EUROPEAN HEADERS



REF	PART NUMBER	DESCRIPTION	QTY.	SERIAL NUMBER
•	B 4254	SEED SAVER – European Headers.....	1	
1	123062	DEFLECTOR – L/H.....	1	
2	123064	DEFLECTOR – R/H.....	1	
3	123290	DEFLECTOR – plastic, front (near cutterbar).....	1	
4	123070	SEAL – rubber, side.....	2	
5	123298	DEFLECTOR – plastic, rear.....	1	
6	REF	BAR – draper seal support, see Feed Draper .....	2	
A	101898	BOLT – self tapping, 3/8 NC x 5/8 inch		
B	21472	BOLT – round head, square neck, 3/8 NC x 3/4 inch		
C	30228	NUT – lock, flange, 3/8 NC		
D	21821	BOLT – flange head, 3/8 NC x 3/4 inch		

**CE DRIVELINE (European Applications)  
NEW HOLLAND COMBINE**



REF	PART NUMBER	DESCRIPTION	QTY.	SERIAL NUMBER
•	114168	DRIVELINE – complete, includes items A and B: New Holland	1	
A	114185	JOINT ASS'Y. – male half, includes items 1,2,3,4,5 .....	1	
B	114208	JOINT ASS'Y. – female half, includes items 2,5,10,11,12,13 .....	1	
1	100692	YOKE – clamp, to header drive shaft .....	1	
2	114145	CROSS & BEARING KIT, with lube fitting in end cap .....	2	
3	NSS	YOKE & SHAFT (order item A).....	1	
4	114377	SHIELD – outer, with decals .....	1	
5	114170	BEARING KIT – shield.....	2	
10	114378	SHIELD – inner .....	1	
11	114171	CENTRALIZER – tube.....	1	
12	NSS	YOKE & TUBE (order item B).....	1	
13	114180	YOKE – Auto-Lok, spline bore.....	1	
14	114177	REPAIR KIT – Auto-Lok yoke.....	1	

## NUMERICAL LIST

<u>PART NO.</u>	<u>PAGE</u>	<u>PART NO.</u>	<u>PAGE</u>	<u>PART NO.</u>	<u>PAGE</u>	<u>PART NO.</u>	<u>PAGE</u>
2149	8	113640	5	117313	3	118201	3
18599	7	113646	5	117314	3	118254	7
21744	11	113788	5	117316	3	118308	10
21843	8	113790	5	117319	3	118311	7
21859	7	113794	5	117322	2	118312	7
22072	2	113811	5	117323	3	118318	9
30054	8	113813	5	118084	11	118319	9
30282	12	113819	5	118097	11	118320	7
30560	8	114113	8	118101	11	118322	9
30661	7	114145	14	118102	11	118323	8
30695	8	114168	14	118120	7	118332	9
30873	12	114170	14	118134	7	118334	2
37710	8	114171	14	118137	5	118336	9
38688	8	114177	14	118138	7	123030	12
44210	8	114180	14	118140	7	123062	13
49306	7	114185	14	118151	7	123064	13
50102	11	114208	14	118158	7	123070	13
50104	11	114319	11	118165	2	123110	12
50104	12	114319	12	118169	2	123290	13
50219	12	114320	12	118173	2	123298	13
50226	7	114356	12	118176	2	123318	12
100692	14	114364	12	118178	10	123321	12
101000	11	114377	14	118190	7	123337	12
101670	8	114378	14	118191	3	135015	12
101670	11	117057	5	118192	8	B 2871	5
101670	12	117311	3	118200	3	B 4254	13