

MacDon

FIRST YEAR
871. MODEL
CHANGED TO
871

Model 971 ^s COMBINE ADAPTER PARTS CATALOG

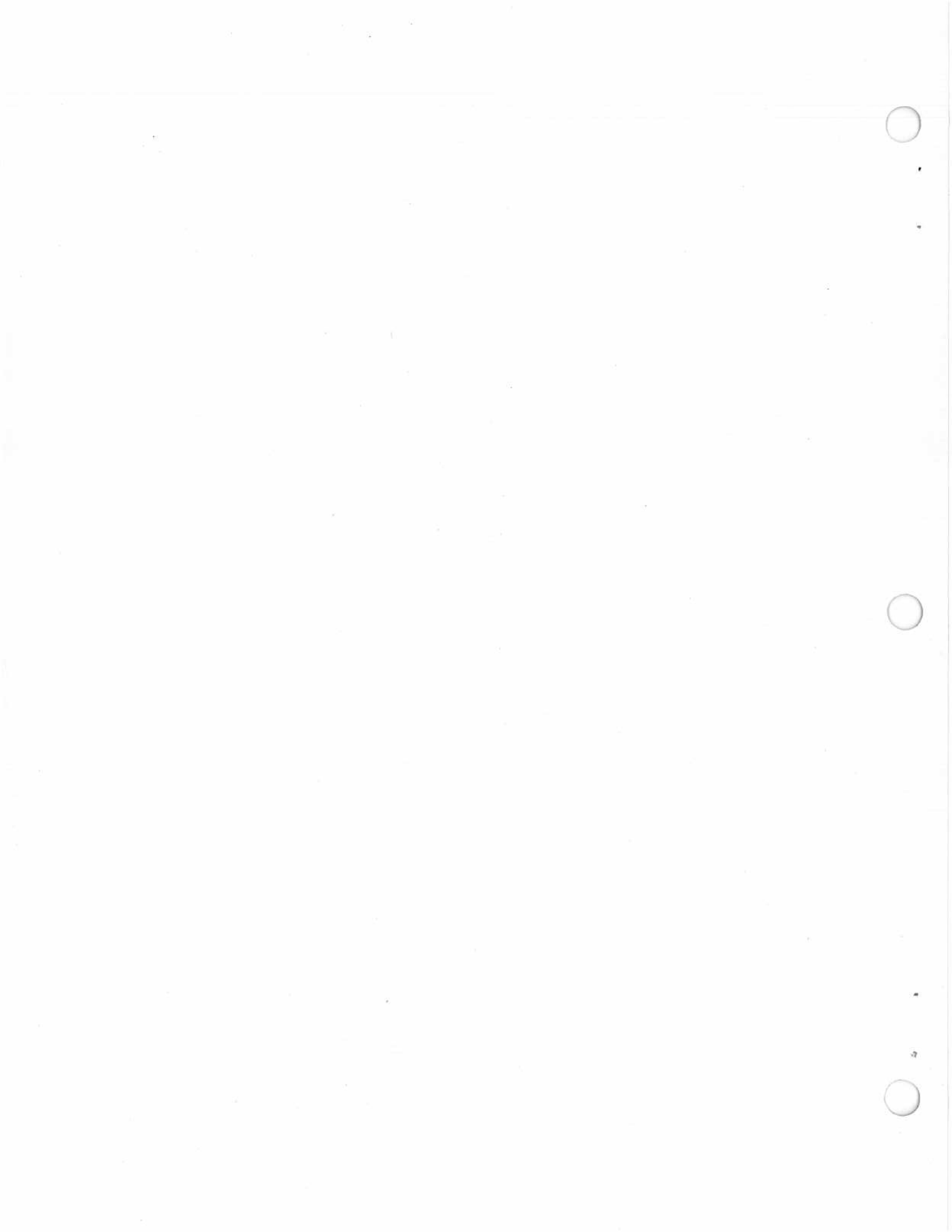
for 962 and 972 Harvest Headers on:

John Deere 7720, 8820, 9500, 9600 and CTS Combines
Case IH 1400, 1600 and 2100 Series Combines
Gleaner R62 and R72 Combines
Ford New Holland TR and TX Combines



MacDon Industries Ltd.

680 Moray Street, Winnipeg, Manitoba
Canada R3J 3S3
(204) 885-5590, Fax 832-7749



Model 971 COMBINE ADAPTER PARTS CATALOG

CONTENTS

Frame and Float Group	2,3
Hydraulics	4-7
Feed Draper	9-11
Feed Auger	12
John Deere Combines	
Header Completion Parts	13
Adapter Completion Parts	14,15
Case Combines	
Adapter Completion Parts	16,17
Header Completion Parts	18,19
Gleaner Combines	
Adapter Completion Parts	20,21
Header Completion Parts	22,23
New Holland Combines	
Adapter Completion Parts	24,25
Header Completion Parts	26,27
Decals	29
Driveline	30,31
NUMERICAL LIST	32,33

ABBREVIATIONS

L/H - left hand (Determined from Operator's position, facing forward.)

R/H - right hand

I.D. - inside diameter

O.D. - outside diameter

A/R - as required (quantity varies with header size)

REF - reference, part number called up elsewhere in catalog

SUB - Substitute (Revised design may be used to repair previous design when stock is depleted.)

NC - national coarse thread

NF - national fine thread

NOTE: Common hardware is not illustrated. Alphabetic references are used to designate position and description of these items.

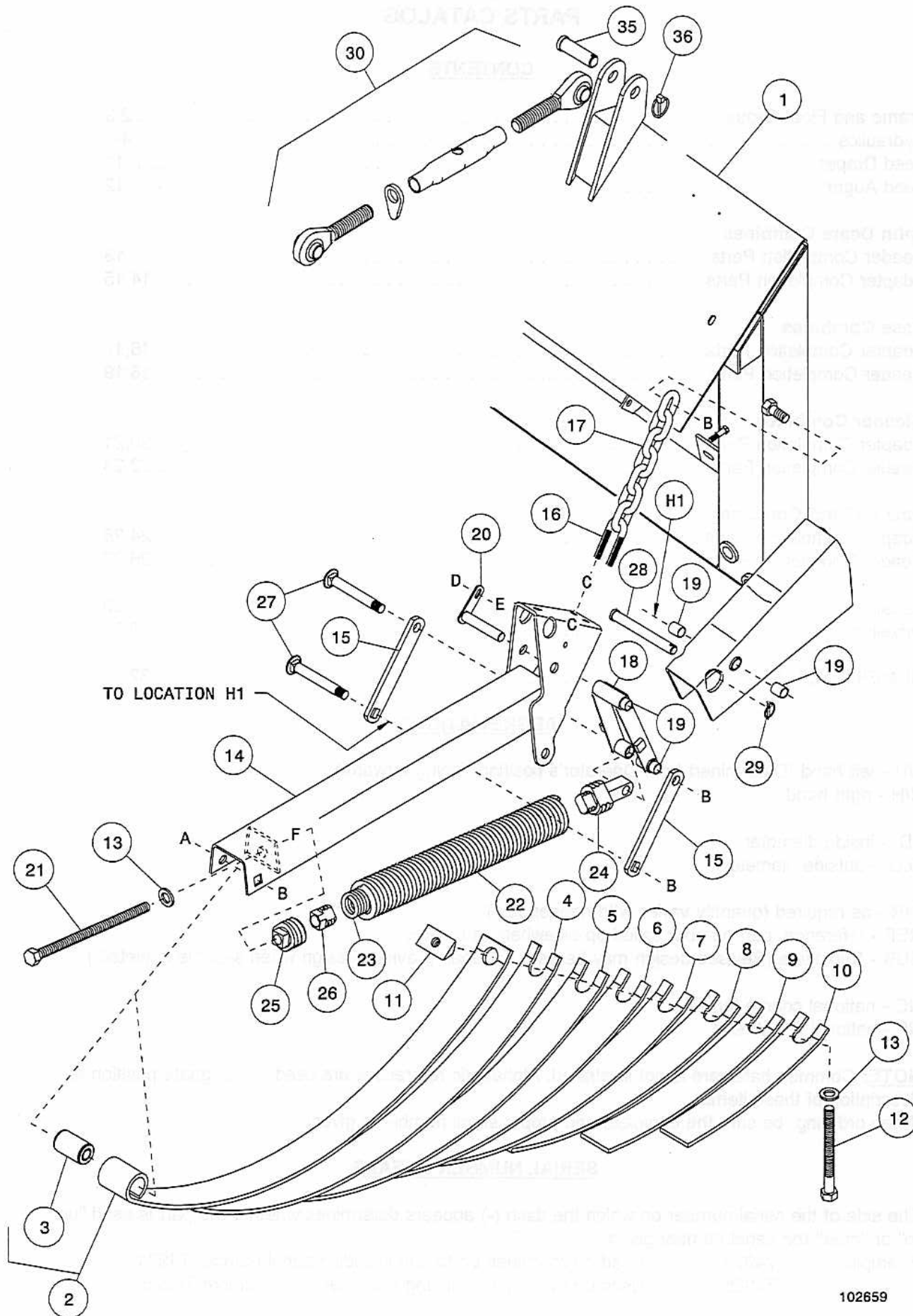
When ordering, be sure the complete and proper serial number is given.

SERIAL NUMBER BREAKS

The side of the serial number on which the dash (-) appears determines whether the part is used "up to" or "after" the serial number given.

Example:	-74924	Used on machines up to and including serial number 74924.
	74925-	Used on machines including and after serial number 74925.

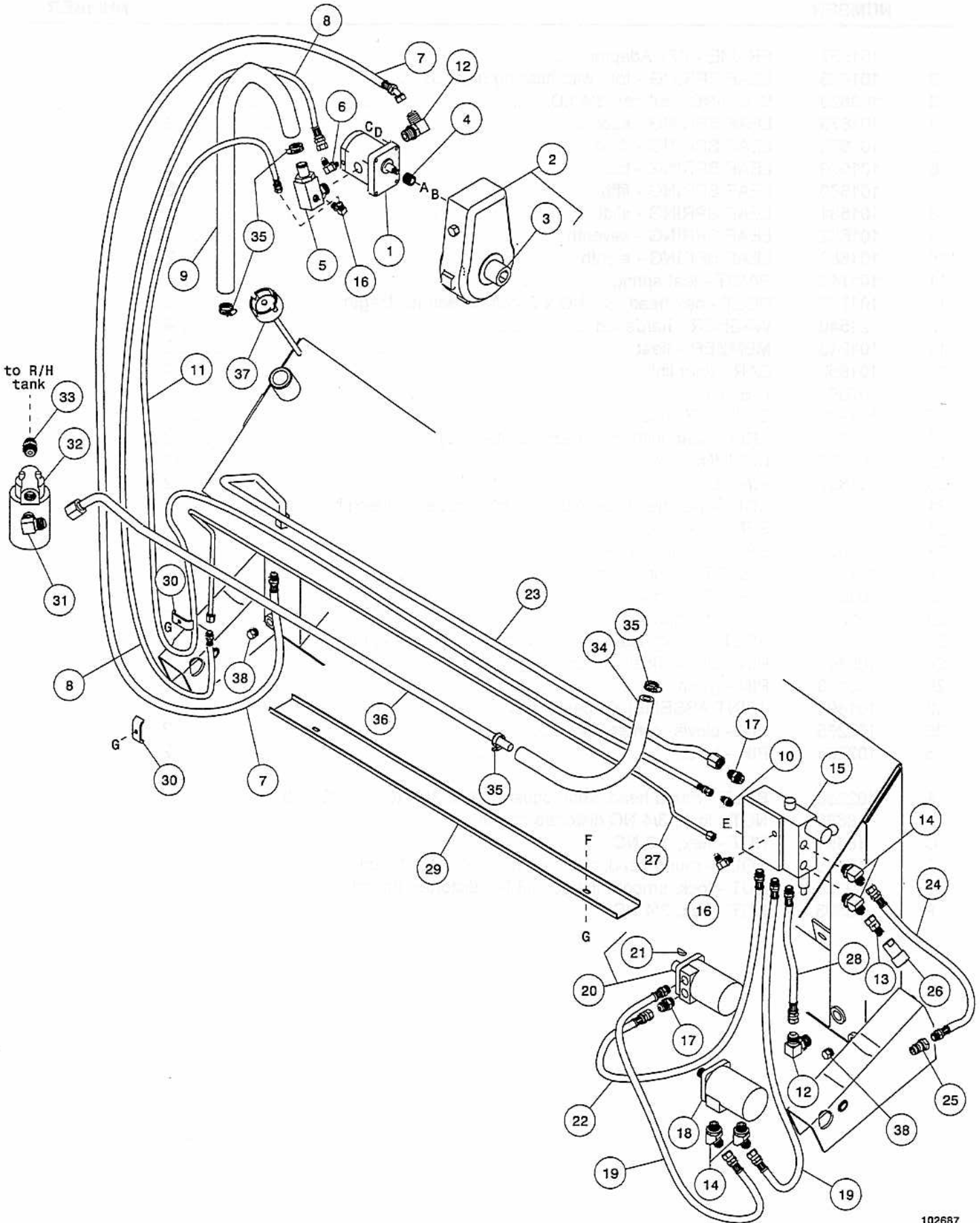
FRAME AND FLOAT GROUP



FRAME AND FLOAT GROUP

REF	PART NUMBER	DESCRIPTION	QTY	SERIAL NUMBER
1	101957	FRAME - 971 Adapter	1	
2	101673	LEAF SPRING - top, with bushing (item 3)	2	
3	100820	BUSHING - rubber, 3/4 I.D.	2	
4	101675	LEAF SPRING - second	2	
5	101678	LEAF SPRING - third	2	
6	101679	LEAF SPRING - fourth	2	
7	101680	LEAF SPRING - fifth	2	
8	101681	LEAF SPRING - sixth	2	
9	101682	LEAF SPRING - seventh	2	
10	101683	LEAF SPRING - eighth	2	
11	101749	PIVOT - leaf spring	2	
12	101752	BOLT - hex head, 3/4 NC x 7 inch, thread full length	2	
13	21540	WASHER - hardened	4	
14	101243	MEMBER - float	2	
15	101859	BAR - float link	4	
16	102001	U-BOLT	2	
17	101987	CHAIN - 7 links	2	
18	101998	ARM - float, with four bushings (item 19)	2	
19	101986	BUSHING - plastic	12	
20	101857	PIN - L	2	
21	102108	BOLT - hex head, 3/4 NC x 12 inch, thread full length	2	
22	41388	SPRING - float, outer	2	
23	101878	SPRING - float, inner	2	
24	101895	INSERT - spring, rear	2	
25	101901	INSERT - spring, front	2	
26	101902	INSERT - spring, inner	2	
27	102107	BOLT - round head, square neck, 3/4 NC x 142 mm	4	
28	100765	PIN - clevis, float lock-out	2	
29	50193	PIN - lynch	2	
30	101891	JOINT ASSEMBLY - center link	1	
35	102265	PIN - clevis, center link	2	
36	102264	PIN - lynch	2	
A	102266	BOLT - round head, short square neck, 3/4 NC x 4-1/2 inch		
B	18689	NUT - lock, 3/4 NC distorted thread		
C	18591	NUT - hex, 1/2 NC		
D	19965	BOLT - round head, square neck, 3/8 NC x 1 inch		
E	30228	NUT - lock, smooth flange, 3/8 NC distorted thread		
F	18593	NUT - hex, 3/4 NC		

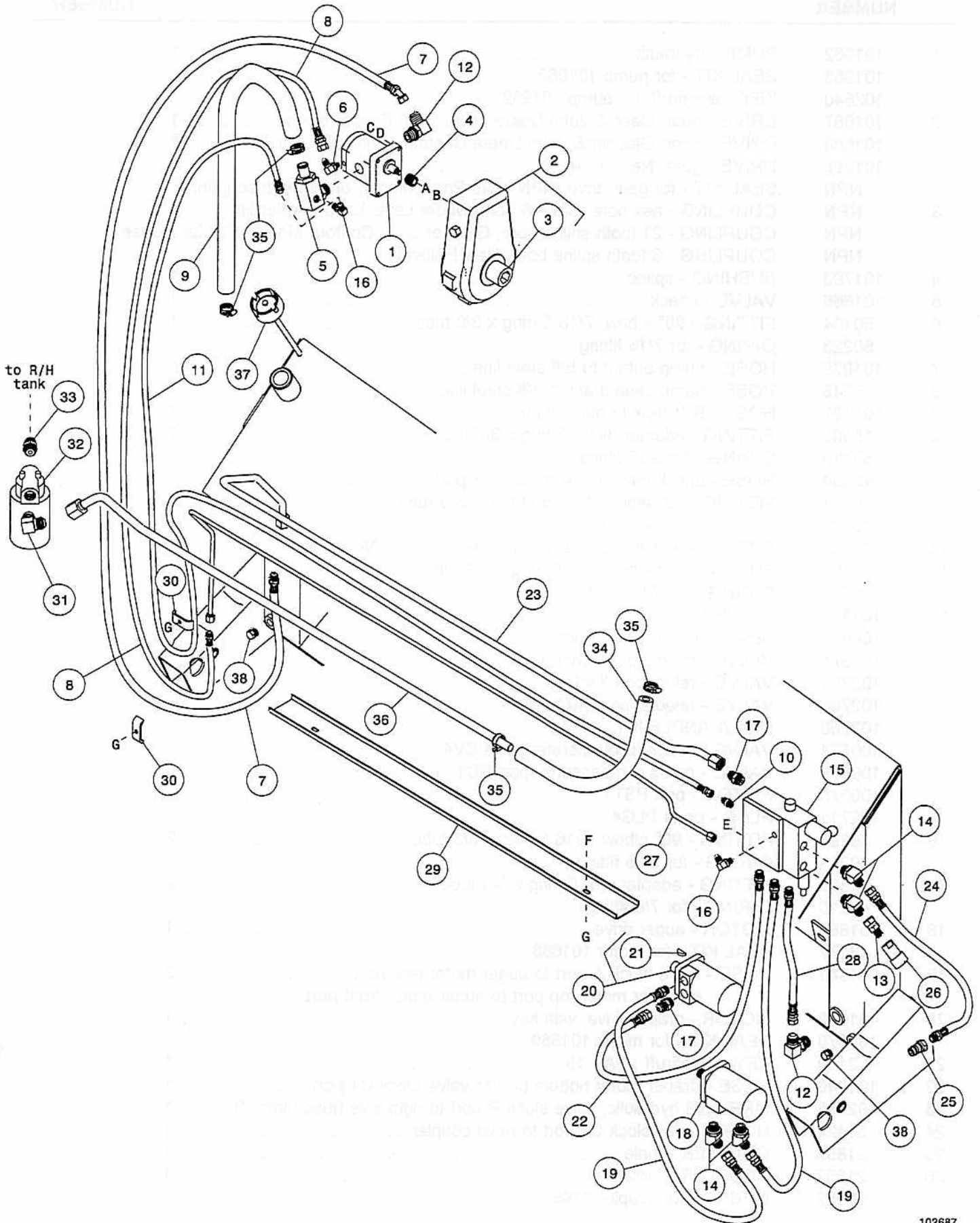
HYDRAULICS



HYDRAULICS

REF	PART NUMBER	DESCRIPTION	QTY	SERIAL NUMBER
1	101962	PUMP - hydraulic	1	
	101963	SEAL KIT - for pump 101962		
	102640	KEY - woodruff, for pump 101962		
2	101687	DRIVE - gear, Case & John Deere Level Land Feeder House	1	
	101688	DRIVE - gear, Gleaner & John Deere Contour Master Feeder House	1	
	101690	DRIVE - gear, New Holland	1	
	NPN	SEAL KIT - for gear drive (NPN = No Part Number, order by description)		
3	NPN	COUPLING - hex bore, Case & John Deere Level Land Feeder House		
	NPN	COUPLING - 21 tooth spline bore, Gleaner & JD Contour Master Feeder House		
	NPN	COUPLING - 6 tooth spline bore, New Holland		
4	101793	BUSHING - spline	1	
5	101666	VALVE - check	1	
6	50104	FITTING - 90° elbow, 7/16 O-ring x 3/8 tube	1	
	50223	O-RING - for 7/16 fitting		
7	101939	HOSE - pump output to 5/8 steel line	1	
8	37845	HOSE - pump case drain to 3/8 steel line	1	
9	101797	HOSE - R/H tank to pump input	1	
10	15903	FITTING - adapter, 9/16 O-ring x 3/8 tube	1	
	50219	O-RING - for 9/16 fitting		
11	42604	HOSE - check valve to valve block R port	1	
12	50221	FITTING - 90° elbow, 1-1/16 O-ring x 5/8 tube	2	
	30971	O-RING - for 1-1/16 fitting		
13	30926	FITTING - adapter, 5/8 tube swivel female x 1/2 NPT male	1	
14	50103	FITTING - 45° elbow, 7/8 O-ring x 5/8 tube	4	
	44210	O-RING - for 7/8 fitting		
15	101394	VALVE BLOCK	1	
	100570	SEAL KIT - for valve block		
	100571	VALVE - check, ports CV1, CV2, CV3		
	102704	VALVE - relief, port RV1		
	102705	VALVE - needle, port MR1		
	102706	BALL/HANDLE KIT		
	100574	VALVE - check, pilot operated, port CV4		
	100575	VALVE - press compensator, port EC1		
	100576	PISTON - port PST1		
	102711	PLUG - ports PLG4		
16	30282	FITTING - 90° elbow, 9/16 O-ring x 3/8 tube	2	
	50219	O-RING - for 9/16 fitting		
17	30695	FITTING - adapter, 7/8 O-ring x 5/8 tube	2	
	44210	O-RING - for 7/8 fitting		
18	101668	MOTOR - auger drive	1	
	43177	SEAL KIT - for motor 101668		
19	101941	HOSE - valve block A port to auger motor rear port & draper motor top port to auger motor front port	2	
20	101669	MOTOR - draper drive, with key	1	
	101670	SEAL KIT - for motor 101669		
21	2149	KEY - woodruff, SAE 15	1	
22	101940	HOSE - draper motor bottom port to valve block C1 port	1	
23	102435	LINE - 5/8 hydraulic, valve block P port to right side hose (item 7)	1	
24	33424	HOSE - valve block C2 port to male coupler	1	
25	21855	COUPLER - male	1	
26	21857	COUPLER - female	1	
	50082	O-RING - for coupler 21857		

HYDRAULICS



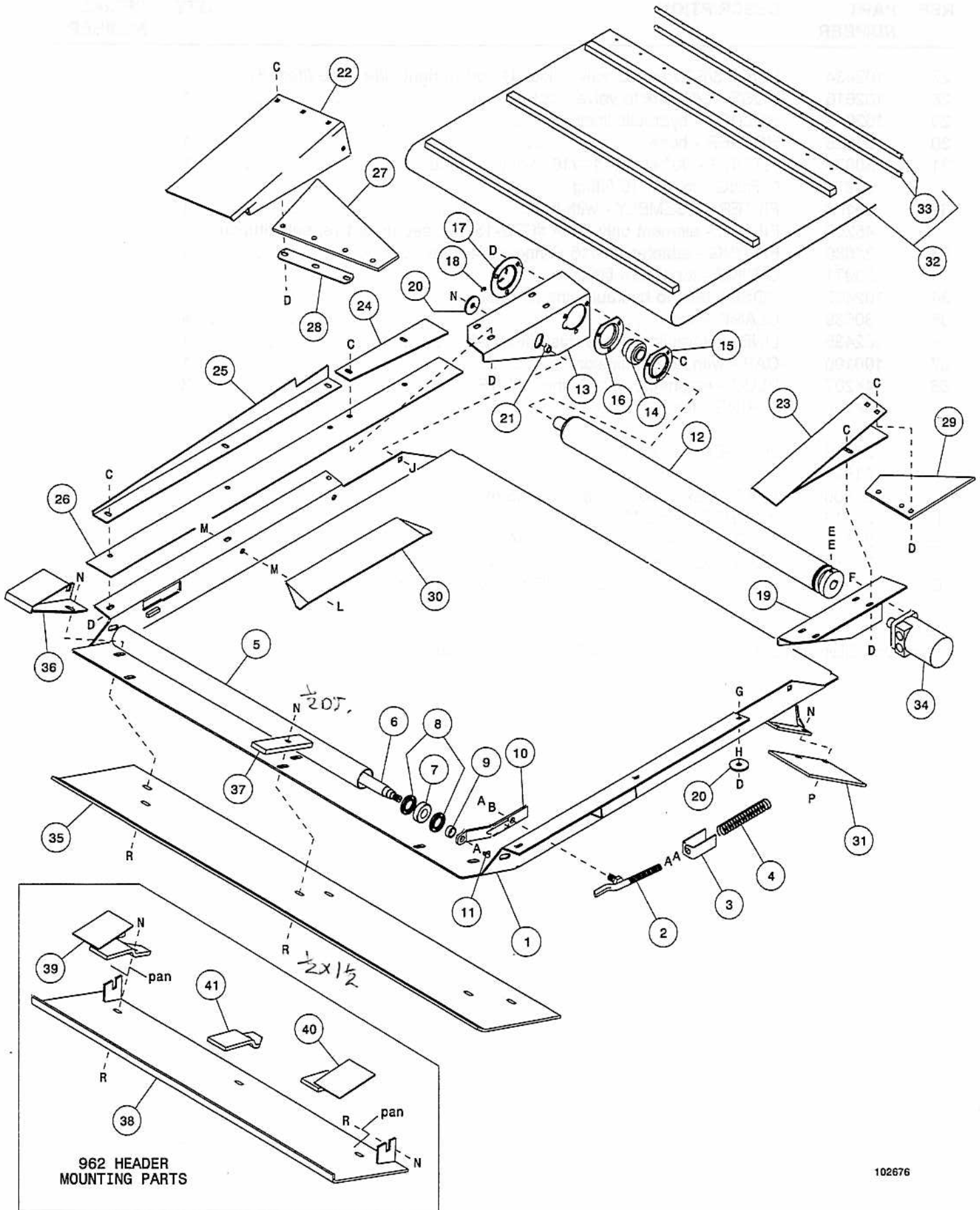
HYDRAULICS

REF	PART NUMBER	DESCRIPTION	QTY	SERIAL NUMBER
27	102434	LINE - 3/8 hydraulic, valve block D port to right side hose (item 8)	1	
28	102616	HOSE - L/H tank to valve block T1 port	1	
29	102643	HOLDER - hydraulic lines	1	
30	32225	HOLDER - hose	1	
31	30970	FITTING - 90° elbow, 1-1/16 O-ring x 3/4 tube	1	
	30971	O-RING - for 1-1/16 fitting	1	
32	45160	FILTER ASSEMBLY - with head	1	
	45205	FILTER - element only (LHA #SPE-15-10), see note 1 re: substitution	1	
33	21830	FITTING - adapter, 1-1/16 O-ring x 3/4 tube	1	
	30971	O-RING - for 1-1/16 fitting	1	
34	102438	HOSE - tank to hydraulic line (item 36)	1	
35	30639	CLAMP - hose	4	
36	102436	LINE - hydraulic, filter to hose (item 34)	1	
37	100100	CAP - with level indicator	1	
38	44207	PLUG - magnetic, with O-ring, 3/4 NF	2	
	44209	O-RING - for 3/4 fitting		
A	30633	WASHER - lock, M12		
B	101899	NUT - hex jam, M12		
C	101900	BOLT - hex socket head, M8 x 35 mm		
D	30716	WASHER - lock, M8		
E	21821	BOLT - flange head, 3/8 NC x 3/4 inch		
F	21484	BOLT - round head, square neck, 3/8 NC x 1-1/2 inch		
G	30228	NUT - lock, smooth flange, 3/8 NC distorted thread		

NOTES:

1. MacDon filter element 21808 may be substituted in this application.

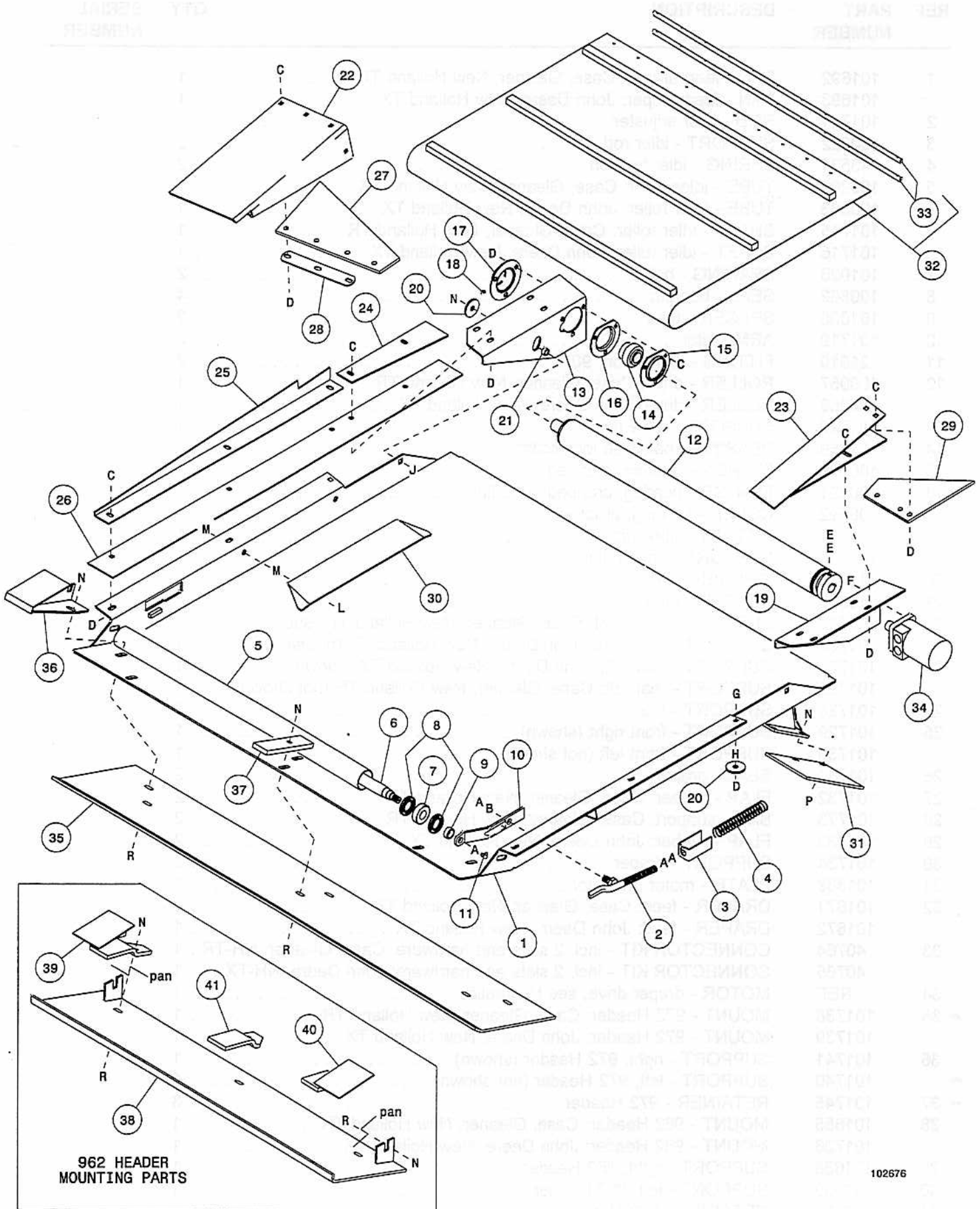
FEED DRAPER



FEED DRAPER

REF	PART NUMBER	DESCRIPTION	QTY	SERIAL NUMBER
1	101692	PAN - feed draper: Case, Gleaner, New Holland TR	1	
	101693	PAN - feed draper: John Deere, New Holland TX	1	
2	101711	ROD - idler adjuster	2	
3	100222	SUPPORT - idler rod	2	
4	43521	SPRING - idler tension	2	
5	100201	TUBE - idler roller: Case, Gleaner, New Holland TR	1	
	100383	TUBE - idler roller: John Deere, New Holland TX	1	
6	101715	SHAFT - idler roller: Case, Gleaner, New Holland TR	1	
	101716	SHAFT - idler roller: John Deere, New Holland TX	1	
7	101026	BEARING - ball	2	
8	100862	SEAL - bearing	4	
9	101008	SPACER - tube	2	
10	101719	ARM - idler	2	
11	21010	FITTING - lubrication, 90°	2	
12	100057	ROLLER - drive: Case, Gleaner, New Holland TR	1	
	100069	ROLLER - drive: John Deere, New Holland TX	1	
13	101720	SUPPORT - drive roller, right	1	
14	21859	BEARING - ball, with lock collar	1	
15	100589	FLANGE - bearing, cropped	1	
16	100591	FLANGE - bearing, cropped (lube fitting removed)	1	
17	100592	COVER - bearing, cropped	1	
18	18671	FITTING - lubrication	1	
19	101721	SUPPORT - drive roller, left	1	
20	11695	WASHER - flat	4	
21	10686	SPACER - tube	2	
22	101725	SUPPORT - rear right: Case, Gleaner, New Holland TR (shown)	1	
	101727	SUPPORT - rear right: John Deere, New Holland TX (not shown)	1	
23	101726	SUPPORT - rear left: John Deere, New Holland TX (shown)	1	
	101723	SUPPORT - rear left: Case, Gleaner, New Holland TR (not shown)	1	
24	101728	SUPPORT - rear	2	
25	101729	SUPPORT - front right (shown)	1	
	101730	SUPPORT - front left (not shown)	1	
26	101731	SEAL - draper	2	
27	101732	FLAP - rubber: Case, Gleaner, New Holland TR	2	
28	101773	BAR - support: Case, Gleaner, New Holland TR	2	
29	101733	FLAP - rubber: John Deere, New Holland TX	2	
30	101734	SUPPORT - draper	2	
31	101888	PLATE - motor protector	1	
32	101671	DRAPER - feed: Case, Gleaner, New Holland TR	1	
	101672	DRAPER - feed: John Deere, New Holland TX	1	
33	40764	CONNECTOR KIT - incl. 2 slats and hardware: Case, Gleaner, NH-TR	1	
	40765	CONNECTOR KIT - incl. 2 slats and hardware: John Deere, NH-TX	1	
34	REF	MOTOR - draper drive, see Hydraulics	1	
35	101738	MOUNT - 972 Header: Case, Gleaner, New Holland TR	1	
	101739	MOUNT - 972 Header: John Deere, New Holland TX	1	
36	101741	SUPPORT - right, 972 Header (shown)	1	
	101740	SUPPORT - left, 972 Header (not shown)	1	
37	101745	RETAINER - 972 Header	3	
38	101655	MOUNT - 962 Header: Case, Gleaner, New Holland TR	1	
	101736	MOUNT - 962 Header: John Deere, New Holland TX	1	
39	101658	SUPPORT - right, 962 Header	1	
40	101659	SUPPORT - left, 962 Header	1	
41	101660	RETAINER - 962 Header	1	

FEED DRAPER



FEED DRAPER

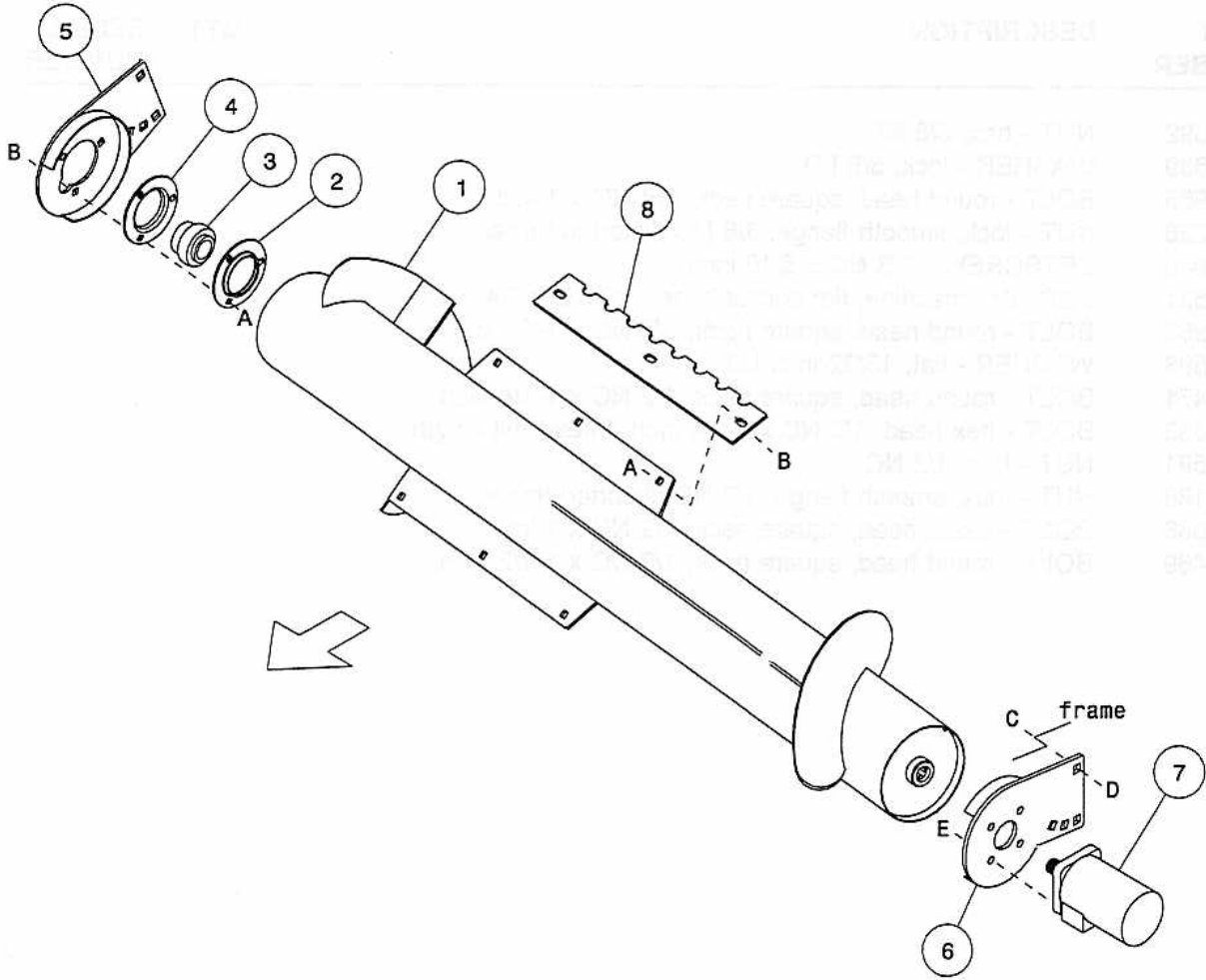
REF	PART NUMBER	DESCRIPTION	QTY	SERIAL NUMBER
A	18592	NUT - hex, 5/8 NC		
B	18639	WASHER - lock, 5/8 I.D.		
C	19965	BOLT - round head, square neck, 3/8 NC x 1 inch		
D	30228	NUT - lock, smooth flange, 3/8 NC distorted thread		
E	30940	SETSCREW - 3/8 NC x 5/16 inch		
F	49531	SCREW - machine, flat socket head, 3/8 NC x 3/4 inch		
G	19966	BOLT - round head, square neck, 3/8 NC x 1-1/4 inch		
H	18598	WASHER - flat, 13/32 inch I.D.		
J	21471	BOLT - round head, square neck, 1/2 NC x 1-1/4 inch		
L	30833	BOLT - hex head, 1/2 NC x 2-1/4 inch, thread full length		
M	18591	NUT - hex, 1/2 NC		
N	50186	NUT - lock, smooth flange, 1/2 NC distorted thread		
P	21066	BOLT - round head, square neck, 1/2 NC x 1 inch		
R	21469	BOLT - round head, square neck, 1/2 NC x 1-1/2 inch		



10378

REF	PART NUMBER	DESCRIPTION	QTY	SERIAL NUMBER
1	10378	BEATER - roller, 10 inch	1	
2	10379	MOTOR - 1/2 HP, 115V, 1725 RPM	1	
3	10380	SUPPORT - roller, 10 inch	2	
4	10381	FLANGE - bearing with side fitting	2	
5	10382	BEARING - ball with oil collar	2	
6	10383	FLANGE - bearing	2	
7	10384	ROLLER - 10 inch diameter	2	
8	10385	NUT - lock, smooth flange, 1/2 NC distorted thread	2	
9	10386	BOLT - round head, square neck, 1/2 NC x 1 inch	2	
10	10387	BOLT - round head, square neck, 1/2 NC x 1-1/2 inch	2	

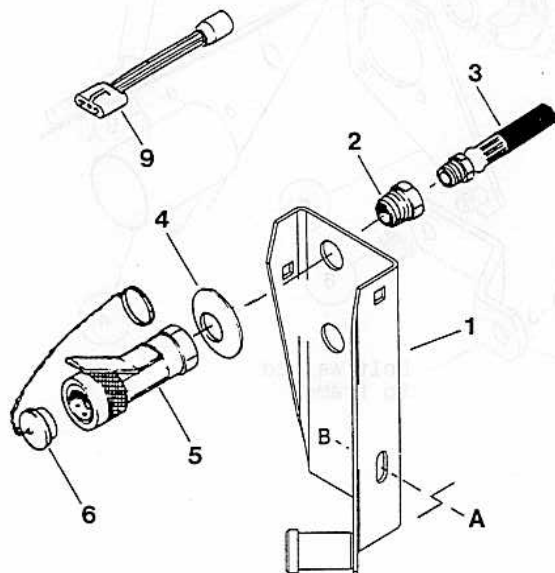
FEED AUGER



102316

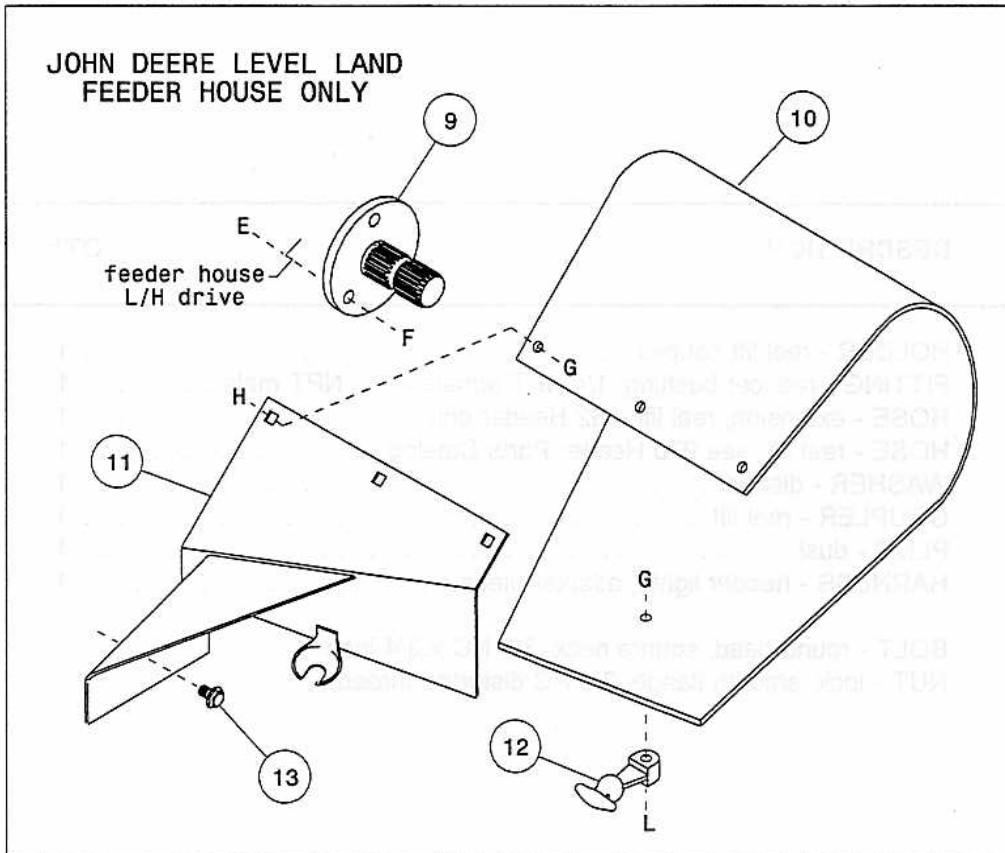
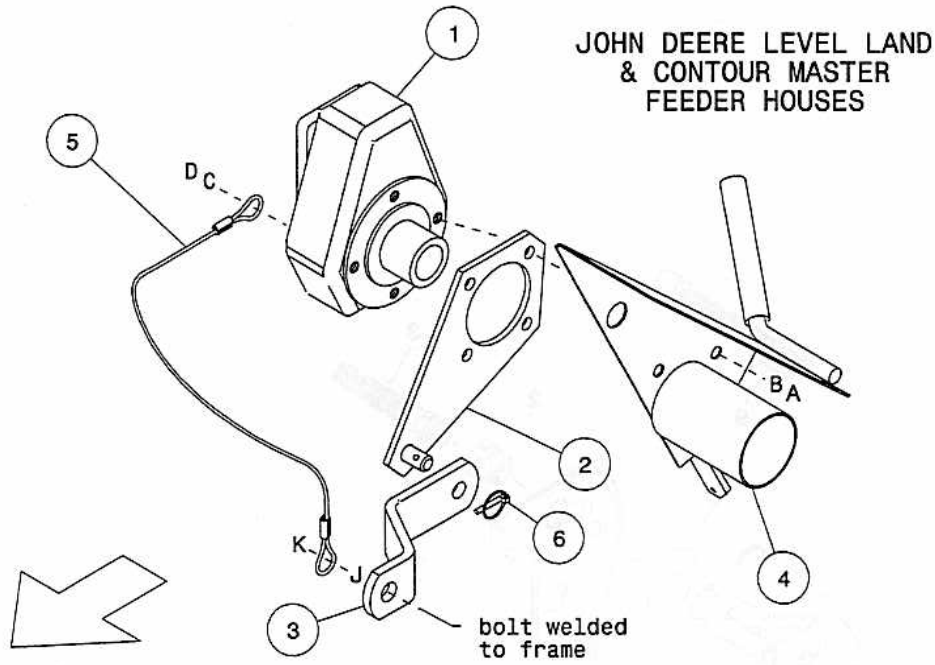
REF	PART NUMBER	DESCRIPTION	QTY	SERIAL NUMBER
1	101756	AUGER - feed: John Deere, New Holland	1	
	102467	AUGER - feed: Case, Gleaner	1	
2	30601	FLANGE - bearing	1	
3	21859	BEARING - ball, with lock collar	1	
4	21860	FLANGE - bearing, with lube fitting	1	
5	102463	SUPPORT - auger, bearing side	1	
6	102466	SUPPORT - auger, motor side	1	
7	REF	MOTOR - auger drive, see Hydraulics	1	
8	101343	BEATER - auger, center	4	
A	19965	BOLT - round head, square neck, 3/8 NC x 1 inch		
B	30228	NUT - lock, smooth flange, 3/8 NC distorted thread		
C	21066	BOLT - round head, square neck, 1/2 NC x 1 inch		
D	50186	NUT - lock, smooth flange, 1/2 NC distorted thread		
E	27647	BOLT - hex head, shoulder, 3/8 NC x 29/32 inch		

JOHN DEERE COMBINES HEADER COMPLETION PARTS



REF	PART NUMBER	DESCRIPTION	QTY	SERIAL NUMBER
1	101984	HOLDER - reel lift coupler	1	
2	20043	FITTING - reducer bushing, 1/4 NPT female x 1/2 NPT male	1	
3	43629	HOSE - extension, reel lift, 962 Header only	1	
	REF	HOSE - reel lift, see 970 Header Parts Catalog	1	
4	45153	WASHER - dished	1	
5	50085	COUPLER - reel lift	1	
6	21858	PLUG - dust	1	
9	40511	HARNES - header lights, adapter piece	1	
A	21472	BOLT - round head, square neck, 3/8 NC x 3/4 inch		
B	30228	NUT - lock, smooth flange, 3/8 NC distorted thread		

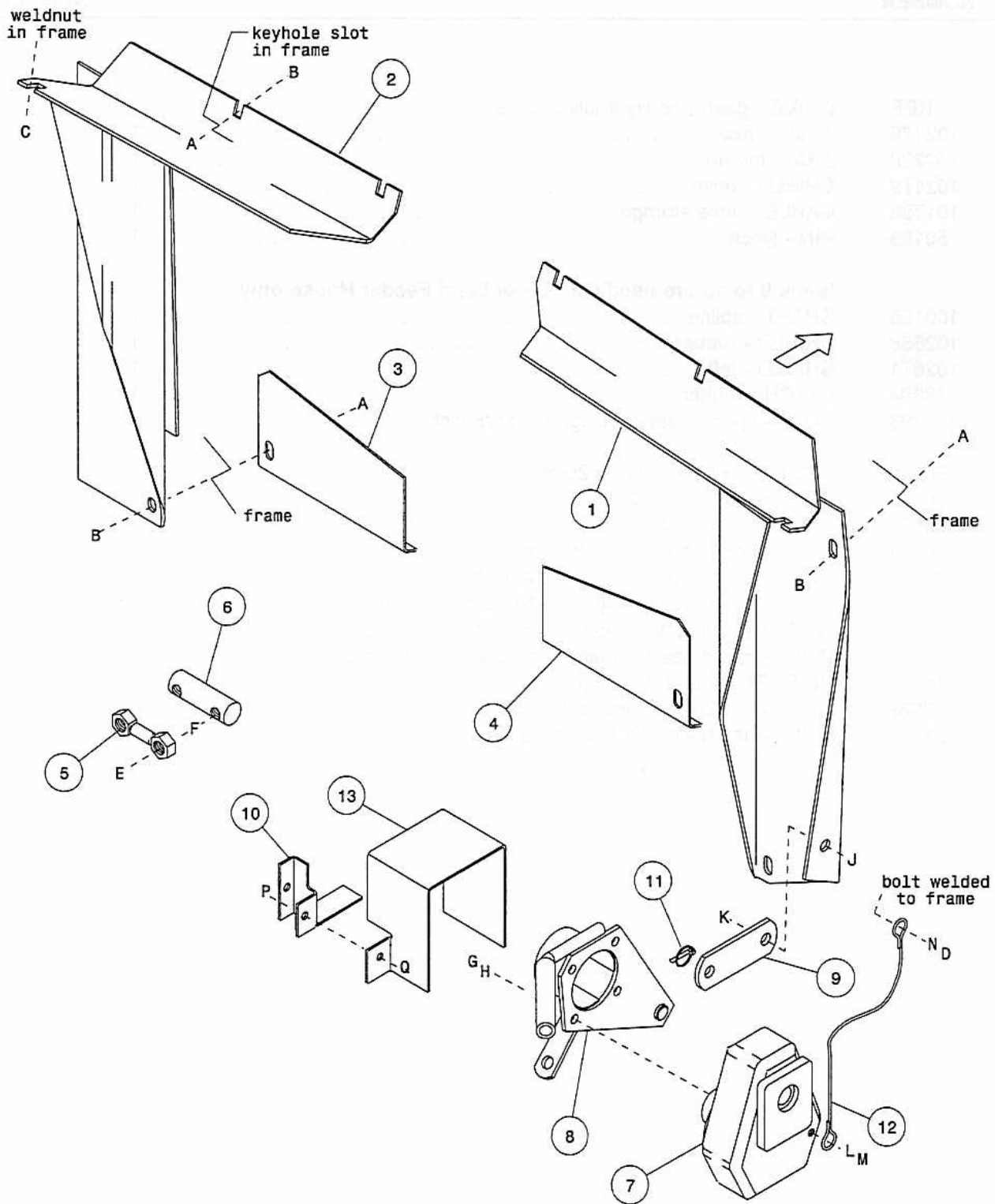
**JOHN DEERE COMBINES
ADAPTER COMPLETION PARTS**



JOHN DEERE COMBINES ADAPTER COMPLETION PARTS

REF	PART NUMBER	DESCRIPTION	QTY	SERIAL NUMBER
1	REF	DRIVE - gear, see Hydraulics, page 5	1	
2	102178	ARM - drive	1	
3	102220	ARM - torque	1	
4	102179	SHIELD - drive	1	
5	101798	CABLE - drive storage	1	
6	50193	PIN - lynch	1	
Items 9 to 13 are used with Level Land Feeder House only				
9	100155	SHAFT - spline	1	
10	102668	SHIELD - rubber	1	
11	102671	SHIELD - left	1	
12	38894	LATCH - rubber	1	
13	101898	BOLT - special, self-tapping, 3/8 x 5/8 inch	1	
A	50155	BOLT - hex head, M12 x 25 mm		
B	30633	WASHER - lock, M12		
C	30635	WASHER - flat, M10		
D	50071	BOLT - hex head, M10 x 15 mm		
E	21491	BOLT - hex head, 1/2 NC x 1-1/4 inch		
F	50186	NUT - lock, smooth flange, 1/2 NC distorted thread		
G	30228	NUT - lock, smooth flange, 3/8 NC distorted thread		
H	21472	BOLT - round head, square neck, 3/4 NC x 3/4 inch		
J	18601	WASHER - flat, 13/16 inch I.D.		
K	18689	NUT - lock, 3/4 NC distorted thread		
L	21561	BOLT - hex head, 3/8 NC x 1-1/2 inch		

CASE COMBINES ADAPTER COMPLETION PARTS

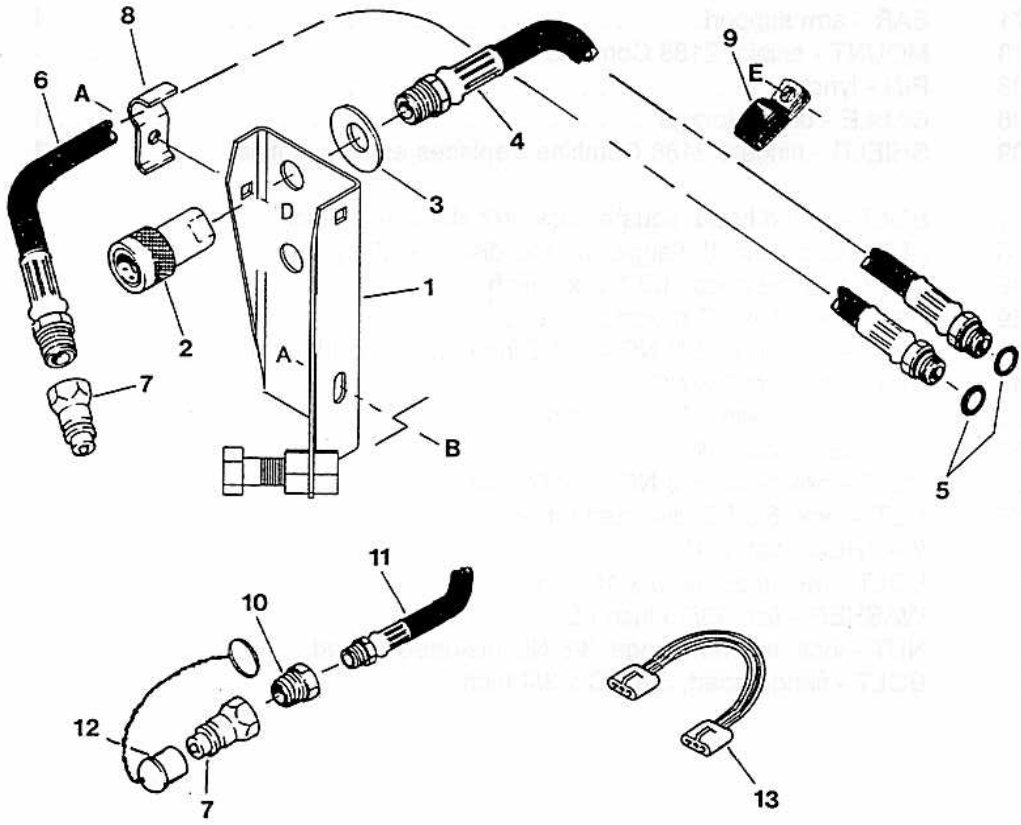


**CASE COMBINES
ADAPTER COMPLETION PARTS**

REF	PART NUMBER	DESCRIPTION	QTY	SERIAL NUMBER
1	102006	MEMBER - adapter frame, right	1	
2	102004	MEMBER - adapter frame, left	1	
3	102169	FILLER - lower, left	1	
4	102170	FILLER - lower, right	1	
5	37995	PIN - clamp	2	
6	40169	PIN - straight	2	
7	REF	DRIVE - gear, see Hydraulics, page 5	1	
8	102168	ARM - drive	1	
9	102171	BAR - arm support	1	
10	102713	MOUNT - shield, 2188 Combine	1	
11	50193	PIN - lynch	1	
12	101798	CABLE - drive storage	1	
13	102709	SHIELD - hinged, 2188 Combine (replaces existing shield)	1	
A	21471	BOLT - round head, square neck, 1/2 NC x 1-1/4 inch		
B	50186	NUT - lock, smooth flange, 1/2 NC distorted thread		
C	21449	BOLT - flange head, 1/2 NC x 1 inch		
D	18689	NUT - lock, 3/4 NC distorted thread		
E	50080	BOLT - hex head, 5/8 NC x 4-1/2 inch, thread full length		
F	21345	NUT - hex jam, 5/8 NC		
G	50155	BOLT - hex head, M12 x 25 mm		
H	30633	WASHER - lock, M12		
J	21594	BOLT - hex head, 5/8 NC x 1-1/2 inch		
K	18666	NUT - lock, 5/8 NC distorted thread		
L	30635	WASHER - flat, M10		
M	50071	BOLT - hex head, M10 x 15 mm		
N	18601	WASHER - flat, 13/16 inch I.D.		
P	30228	NUT - lock, smooth flange, 3/8 NC distorted thread		
Q	21821	BOLT - flange head, 3/8 NC x 3/4 inch		

CASE COMBINES HEADER COMPLETION PARTS

REF. PART NUMBER	DESCRIPTION	QTY	SERIAL NUMBER
------------------	-------------	-----	---------------



1	MEMBER - upper frame, right	1	102000
2	MEMBER - lower frame, left	1	102001
3	FILTER - lower, left	1	102002
4	FILTER - lower, right	1	102003
5	UNIT - gear box hydraulic pump	1	102004
6	UNIT - drive	1	102005
7	UNIT - drive	1	102006
8	UNIT - drive	1	102007
9	UNIT - drive	1	102008
10	UNIT - drive	1	102009
11	UNIT - drive	1	102010
12	UNIT - drive	1	102011
13	UNIT - drive	1	102012

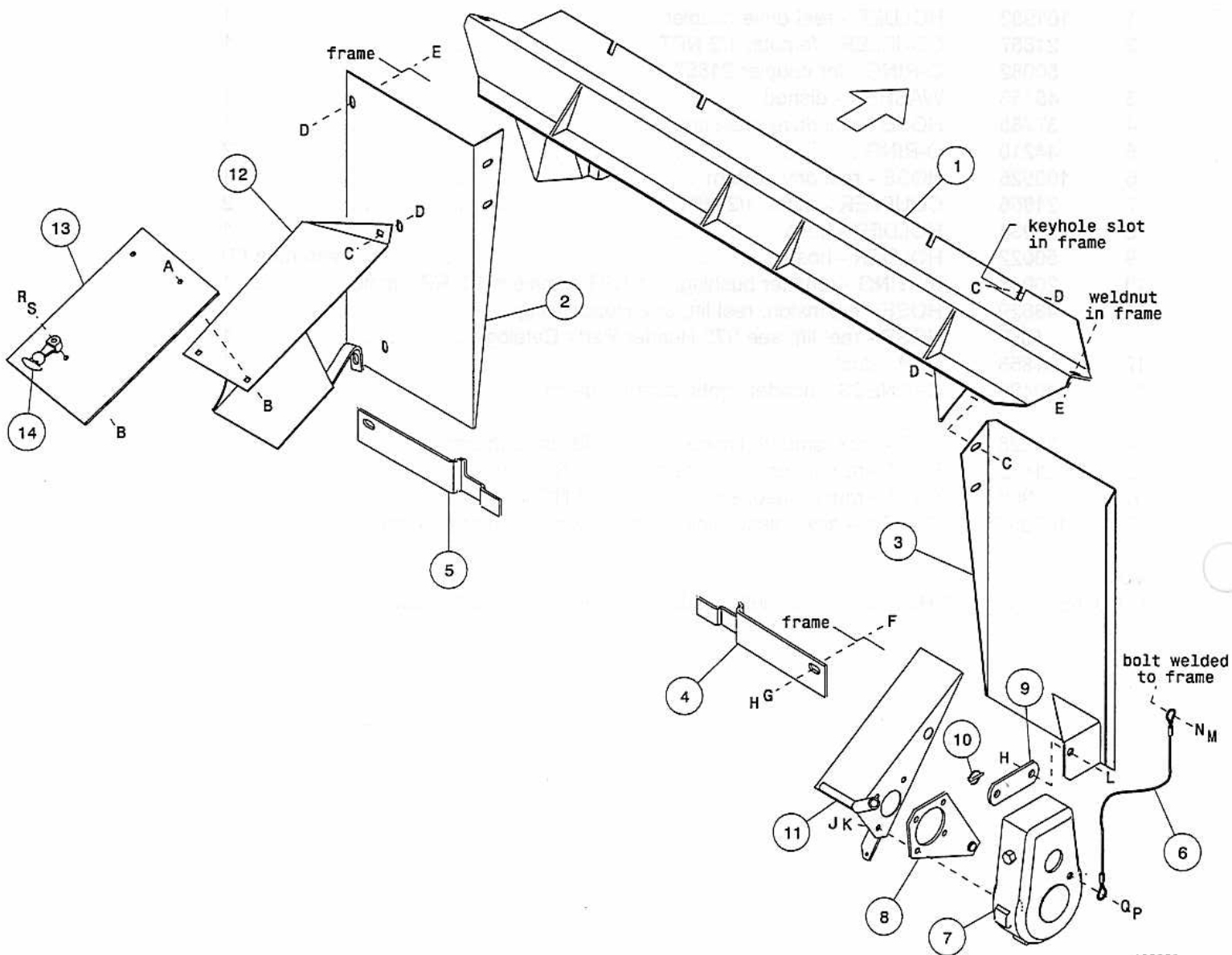
**CASE COMBINES
HEADER COMPLETION PARTS**

REF	PART NUMBER	DESCRIPTION	QTY	SERIAL NUMBER
1	101983	HOLDER - reel drive coupler	1	
2	21857	COUPLER - female, 1/2 NPT	1	
	50082	O-RING - for coupler 21857	1	
3	45153	WASHER - dished	1	
4	37785	HOSE - reel drive pressure	1	
5	44210	O-RING	2	
6	100525	HOSE - reel drive return	1	
7	21855	COUPLER - male, 1/2 NPT	2	
8	29934	HOLDER - hose	1	
9	50022	HOLDER - hose see note (1)		
10	20043	FITTING - reducer bushing, 1/4 NPT female x 1/2 NPT male	1	
11	43629	HOSE - extension, reel lift, 962 Header only	1	
	REF	HOSE - reel lift, see 970 Header Parts Catalog	1	
12	21856	CAP - dust	1	
13	40499	HARNESS - header lights, adapter piece	1	
A	30228	NUT - lock, smooth flange, 3/8 NC distorted thread		
B	21472	BOLT - round head, square neck, 3/8 NC x 3/4 inch		
D	19966	BOLT - round head, square neck, 3/8 NC x 1-1/4 inch		
E	101898	SCREW - hex washer head, 3/8 NC x 5/8 inch thread forming		

NOTES:

1. Quantities: 30' 962 Header = 4, 36' 962 Header = 2, not used for 972 Header

GLEANER COMBINES ADAPTER COMPLETION PARTS



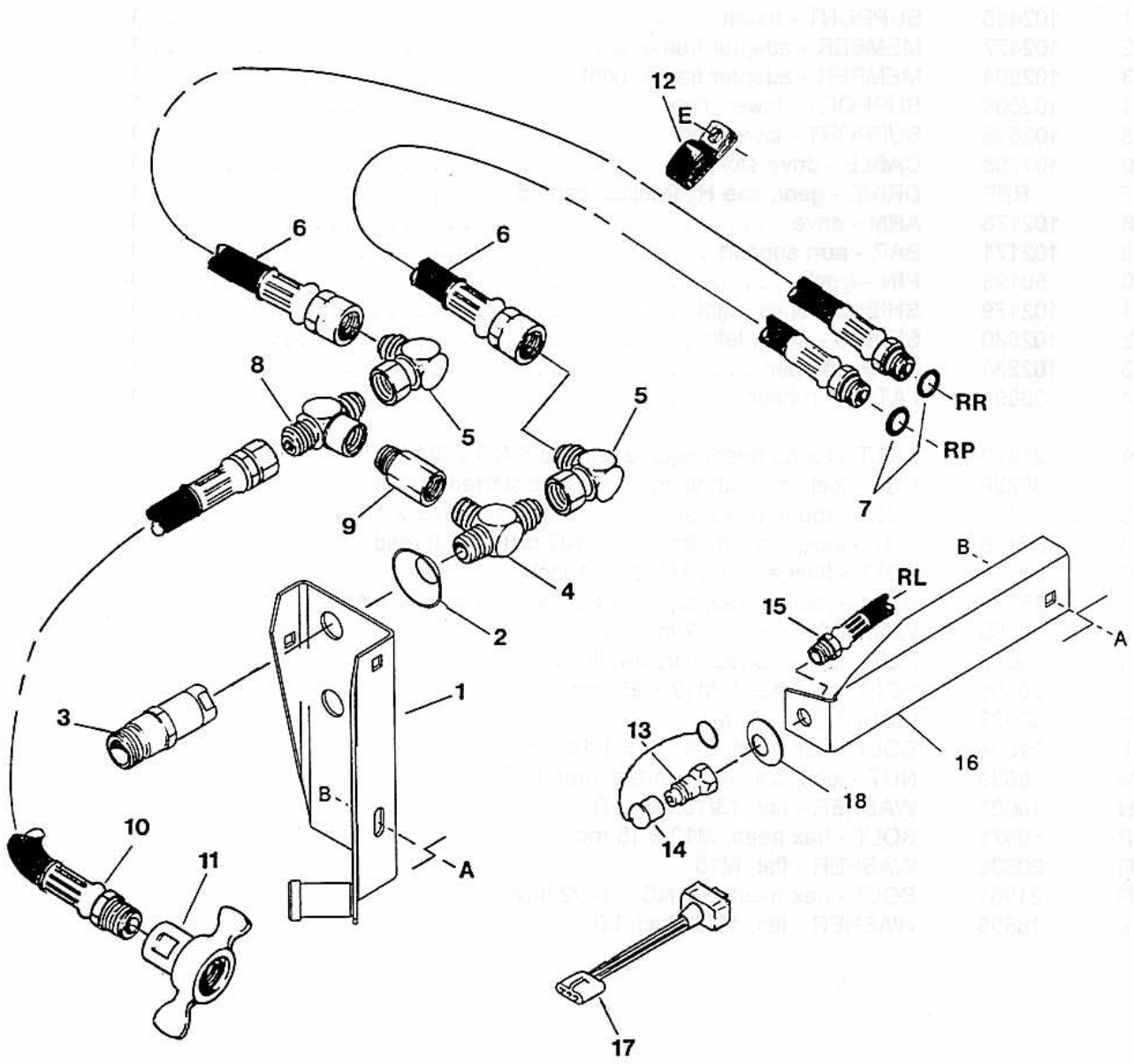
102858

**GLEANER COMBINES
ADAPTER COMPLETION PARTS**

REF	PART NUMBER	DESCRIPTION	QTY	SERIAL NUMBER
1	102465	SUPPORT - beam	1	
2	102477	MEMBER - adapter frame, left	1	
3	102564	MEMBER - adapter frame, right	1	
4	102506	SUPPORT - lower, right	1	
5	102505	SUPPORT - lower, left	1	
6	101798	CABLE - drive storage	1	
7	REF	DRIVE - gear, see Hydraulics, page 5	1	
8	102178	ARM - drive	1	
9	102171	BAR - arm support	1	
10	50193	PIN - lynch	1	
11	102179	SHIELD - drive, right	1	
12	102830	SHIELD - drive, left	1	
13	102831	FLAP - rubber	1	
14	38894	LATCH - rubber	1	
A	21472	BOLT - round head, square neck, 3/8 NC x 3/4 inch		
B	30228	NUT - lock, smooth flange, 3/8 NC distorted thread		
C	21471	BOLT - round head, short square neck, 1/2 NC x 1-1/4 inch		
D	50186	NUT - lock, smooth flange, 1/2 NC distorted thread		
E	21449	BOLT - flange head, 1/2 NC x 1 inch		
F	18523	BOLT - round head, square neck, 5/8 NC x 1-1/2 inch		
G	18600	WASHER - flat, 21/32 inch I.D.		
H	18666	NUT - lock, 5/8 NC distorted thread		
J	50155	BOLT - hex head, M12 x 25 mm		
K	30633	WASHER - lock, M12		
L	21594	BOLT - hex head, 5/8 NC x 1-1/2 inch		
M	18689	NUT - lock, 3/4 NC distorted thread		
N	18601	WASHER - flat, 13/16 inch I.D.		
P	50071	BOLT - hex head, M10 x 15 mm		
Q	30635	WASHER - flat, M10		
R	21561	BOLT - hex head, 3/8 NC x 1-1/2 inch		
S	18598	WASHER - flat, 13/32 inch I.D.		

GLENER COMBINES HEADER COMPLETION PARTS

QTY	SERIAL NUMBER	DESCRIPTION	REF PART NUMBER
-----	---------------	-------------	-----------------



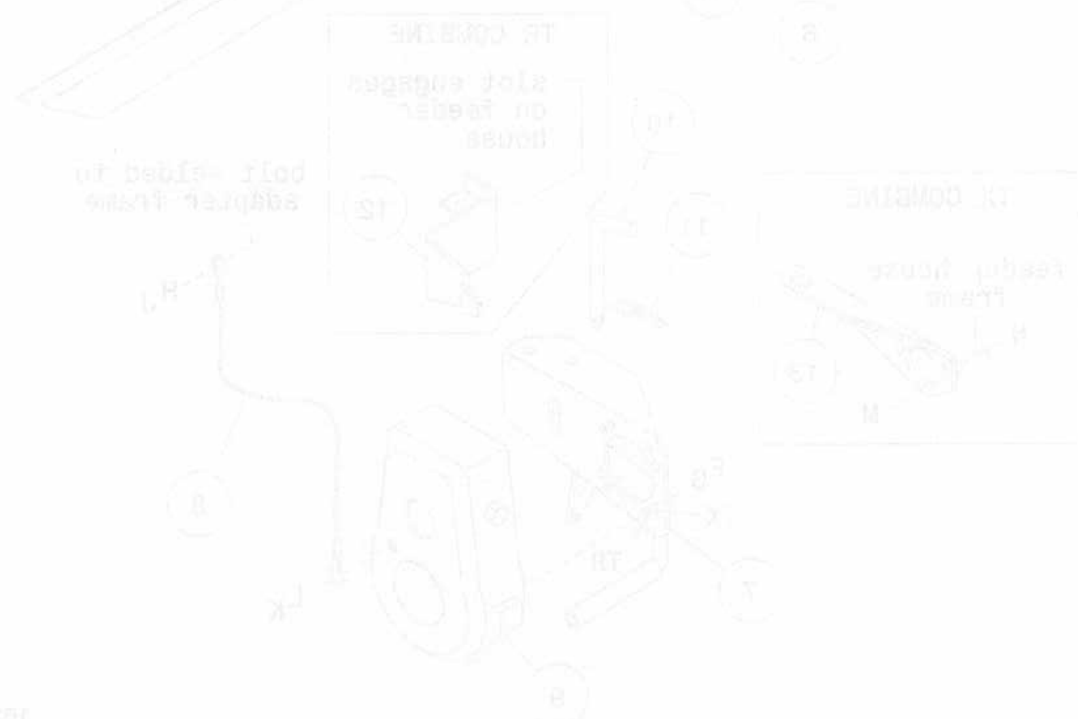
1	102482	SUPPORT - main	
2	102477	MEMBER - steel	
3	102504	MEMBER - steel	
4	102506	MEMBER - steel	
5	102505	SUPPORT - main	
6	102175	CABLE - steel	
7	102176	DRIVE - gear	
8	102178	ARM - drive	
9	102171	BAR - arm	
10	80183	PIN - arm	
11	102179	SHIFTER	
12	102180	SHIFTER	
13	102841	ROLLER	
14	102842	ROLLER	
15	102843	ROLLER	
16	102844	ROLLER	
17	102845	ROLLER	
18	102846	ROLLER	

GLENER COMBINES HEADER COMPLETION PARTS

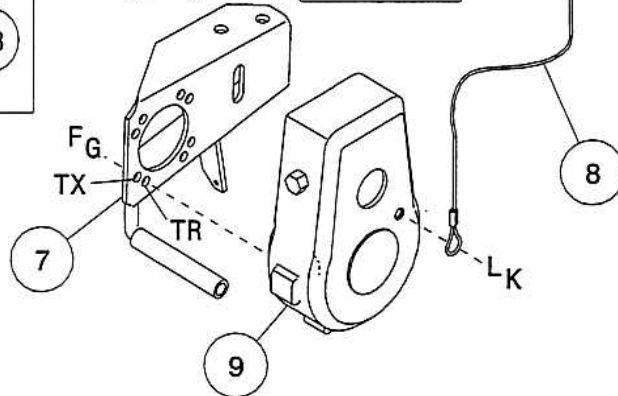
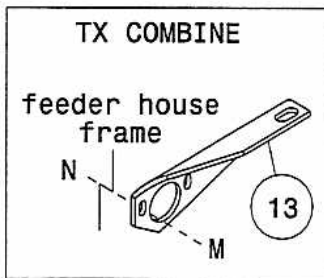
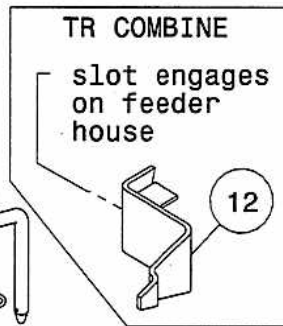
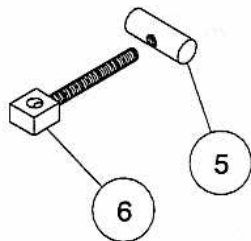
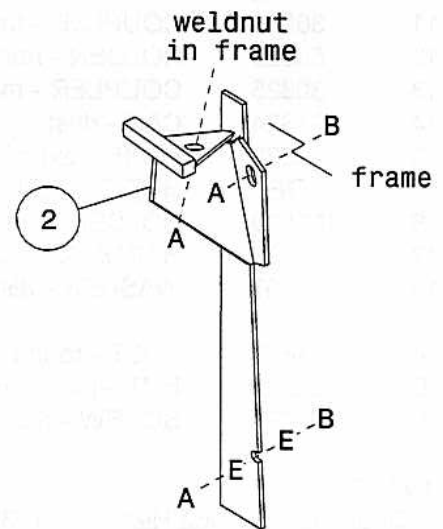
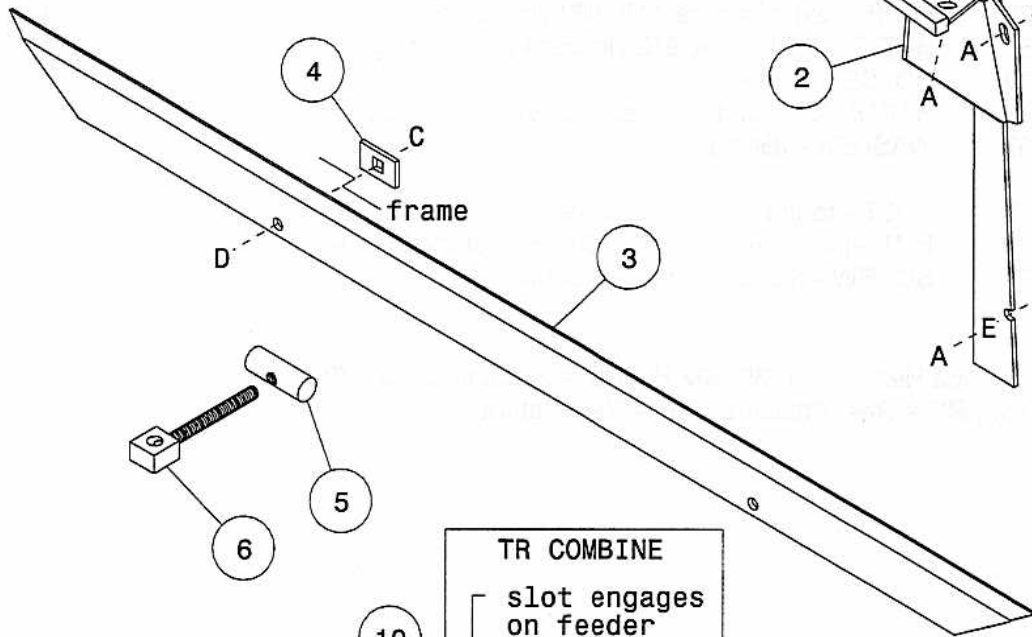
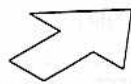
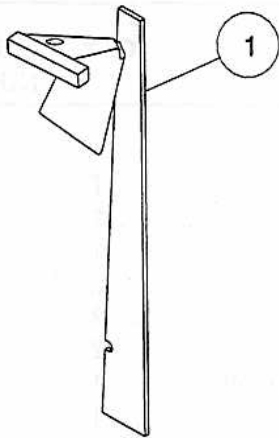
REF	PART NUMBER	DESCRIPTION	QTY	SERIAL NUMBER
1	101984	HOLDER - reel drive coupler	1	
2	102653	WASHER - dished	1	
3	30909	COUPLER - male, 1/2 NPT	1	
4	30972	FITTING - tee, 1/2 NPT male x 1/2 NPT male x 5/8 tube	1	
5	30556	FITTING - 90° elbow, 5/8 tube male x 5/8 tube female	2	
6	100528	HOSE - reel drive, from right side of opening	2	
7	44210	O-RING	2	
8	30854	FITTING - tee, 1/2 NPT female x 5/8 tube male x 5/8 tube male	1	
9	49223	VALVE - check	1	
10	37842	HOSE - reel drive return	1	
11	30908	COUPLER - female, 1/2 NPT	1	
12	50022	HOLDER - hose	see note (1)	
13	30825	COUPLER - male, 1/4 NPT - reel lift	1	
14	21824	CAP - dust	1	
15	43629	HOSE - extension, reel lift, 962 Header only	1	
	REF	HOSE - reel lift, see 970 Header Parts Catalog	1	
16	102820	HOLDER - hose	1	
17	40498	HARNESS - header lights, adapter piece	1	
18	45157	WASHER - dished	1	
A	21472	BOLT - round head, square neck, 3/8 NC x 3/4 inch		
B	30228	NUT - lock, smooth flange, 3/8 NC distorted thread		
E	101898	SCREW - hex washer head, 3/8 NC x 5/8 inch thread forming		

NOTES:

- Quantities: 30' 962 Header = 4, 36' 962 Header = 2, not used for 972 Header
- RL = Reel Lift , RP = Reel Pressure , RR = Reel Return



NEW HOLLAND COMBINES ADAPTER COMPLETION PARTS

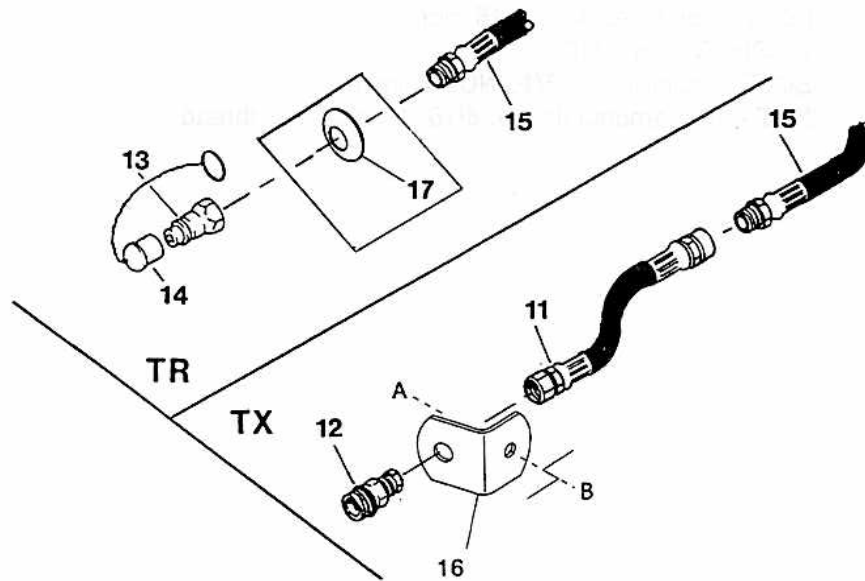
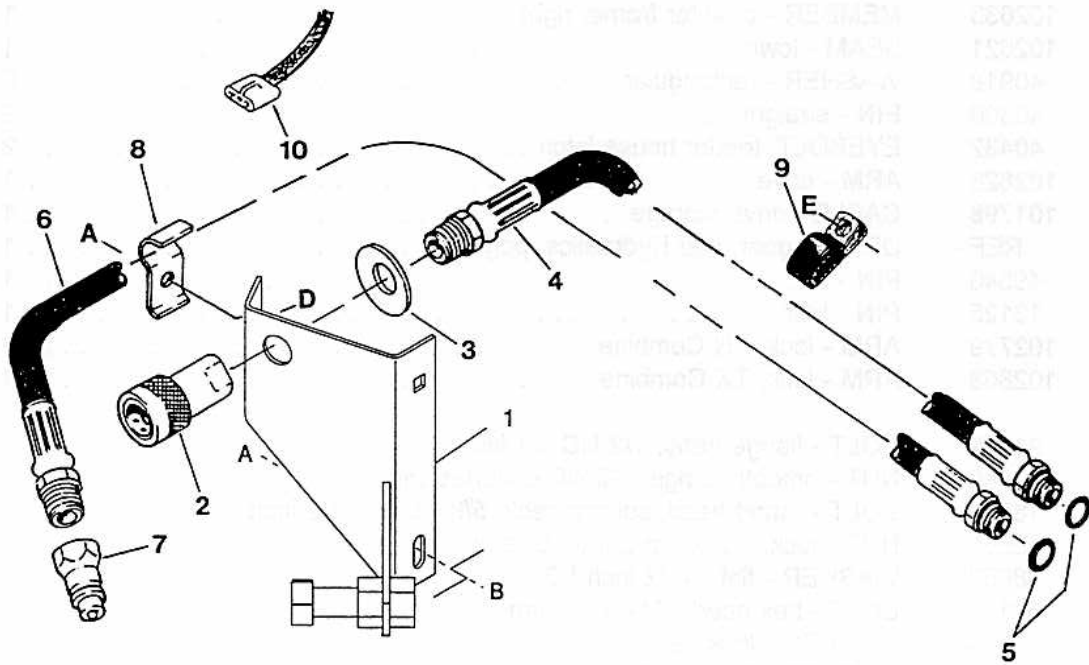


**NEW HOLLAND COMBINES
ADAPTER COMPLETION PARTS**

REF	PART NUMBER	DESCRIPTION	QTY	SERIAL NUMBER
1	102634	MEMBER - adapter frame, left	1	
2	102633	MEMBER - adapter frame, right	1	
3	102621	BEAM - lower	1	
4	40918	WASHER - rectangular	2	
5	40300	PIN - straight	2	
6	40432	EYEBOLT, feeder house latch	2	
7	102828	ARM - drive	1	
8	101798	CABLE - drive storage	1	
9	REF	DRIVE - gear, see Hydraulics, page 5	1	
10	49340	PIN - L	1	
11	13125	PIN - hair	1	
12	102779	ARM - lock, TR Combine	1	
13	102853	ARM - lock, TX Combine	1	
A	21449	BOLT - flange head, 1/2 NC x 1 inch		
B	50186	NUT - smooth flange, 1/2 NC distorted thread		
C	18523	BOLT - round head, square neck, 5/8 NC x 1-1/2 inch		
D	18666	NUT - lock, 5/8 NC distorted thread		
E	18600	WASHER - flat 21/32 inch I.D.		
F	50155	BOLT - hex head, M12 x 25 mm		
G	30633	WASHER - lock, M12		
H	18601	WASHER - flat, 13/16 inch I.D.		
J	18689	NUT - lock, 3/4 NC distorted thread		
K	50071	BOLT - hex head, M10 x 15 mm		
L	30635	WASHER - flat, M10		
M	30269	BOLT - flange head, 5/16 NC x 1 inch		
N	30280	NUT - lock, smooth flange, 5/16 NC distorted thread		

NEW HOLLAND COMBINES HEADER COMPLETION PARTS

QTY	DESCRIPTION	REF PART NUMBER
-----	-------------	-----------------



**NEW HOLLAND COMBINES
HEADER COMPLETION PARTS**

REF	PART NUMBER	DESCRIPTION	QTY	SERIAL NUMBER
1	102717	HOLDER - reel drive coupler	1	
2	21857	COUPLER - female, 1/2 NPT	1	
	50082	O-RING - for coupler 21857		
3	45153	WASHER - dished	1	
4	37785	HOSE - reel drive pressure	1	
5	44210	O-RING	2	
6	100525	HOSE - reel drive return	1	
7	21855	COUPLER - male, 1/2 NPT	2	
8	29934	HOLDER - hose	1	
9	50022	HOLDER - hose	see note (1)	
10	40435	HARNESSESS - header lights, adapter piece	1	
11	101109	HOSE - adapter piece, TX Combine	1	
12	REF	FITTING - adapter, supplied with TX Combine	1	
13	30825	COUPLER - male, 1/4 NPT - reel lift	1	
14	21824	CAP - dust	1	
15	43629	HOSE - extension, reel lift, 962 Header only	1	
	REF	HOSE - reel lift, see 970 Header Parts Catalog	1	
16	40683	SUPPORT - reel lift coupler, TX Combine	1	
17	45157	WASHER - dished, use if support (item 16) is used with TR Combine	1	
A	30228	NUT - lock, smooth flange, 3/8 NC distorted thread		
B	21472	BOLT - round head, square neck, 3/8 NC x 3/4 inch		
D	19966	BOLT - round head, square neck, 3/8 NC x 1-1/4 inch		
E	101898	SCREW - hex washer head, 3/8 NC x 5/8 inch thread forming		

NOTES:

1. Quantities: 30' 962 Header = 4, 36' 962 Header = 2, not used for 972 Header

NEW JERSEY
DEPARTMENT OF TREASURY

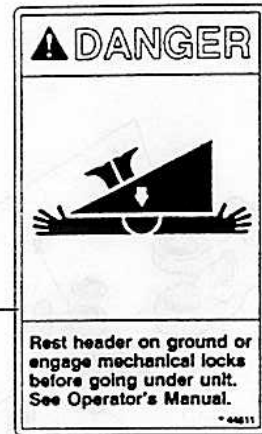
REF PART QTY SERIAL DESCRIPTION

REF	PART NUMBER	QTY	SERIAL NUMBER	DESCRIPTION
1	102719			HOLDER - top and bottom
2	11087			COVER - for the top
3	5007			PLATE - for the top
4	10145			WASHER - for the top
5	10146			WASHER - for the bottom
6	10271			COVER - for the top
7	10087			HOSE - for the top
8	10088			HOSE - for the bottom
9	10089			HOSE - for the top
10	10090			HOSE - for the bottom
11	10091			HOSE - for the top
12	10092			HOSE - for the bottom
13	10093			HOSE - for the top
14	10094			HOSE - for the bottom
15	10095			HOSE - for the top
16	10096			HOSE - for the bottom
17	10097			HOSE - for the top
18	10098			HOSE - for the bottom
19	10099			HOSE - for the top
20	10100			HOSE - for the bottom

DECALS



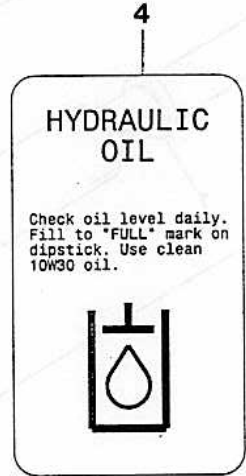
1



2



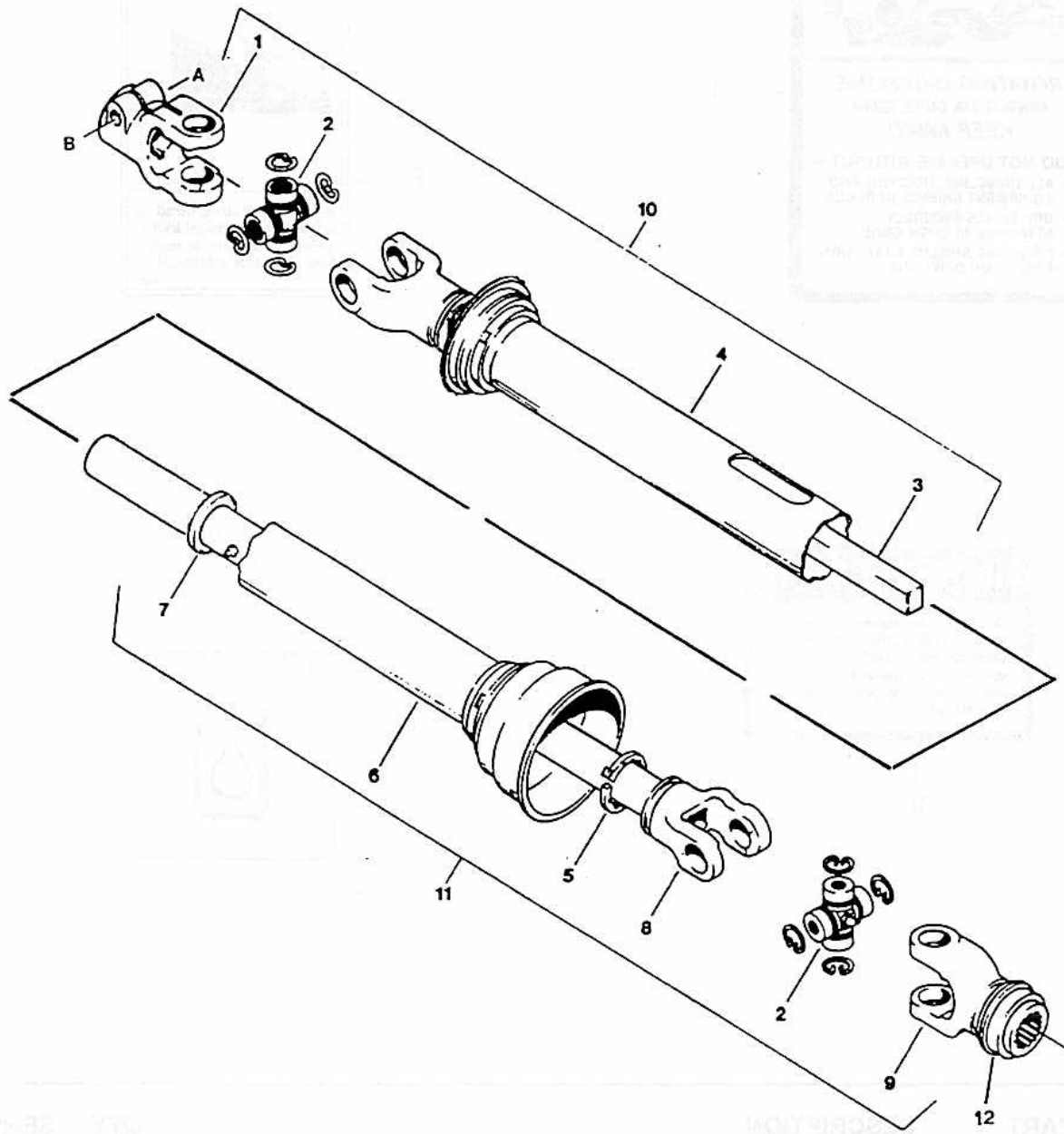
3



4

REF	PART NUMBER	DESCRIPTION	QTY	SERIAL NUMBER
1	30316	DECAL - DANGER: Rotating Driveline		
2	44611	DECAL - DANGER: Servicing Raised Header		
3	43775	DECAL - Side Draper Connection		
4	100585	DECAL - Hydraulic Oil		

DRIVELINE



QTY	PART NUMBER	DESCRIPTION
1	30718	DECAL - DANGER Riding Clothing
2	48211	DECAL - DANGER, Retaining Pin
1	42772	DECAL - Side Gear Connection
4	10588	DECAL - Hydraulic Oil

DRIVELINE

REF	PART NUMBER	DESCRIPTION	QTY	SERIAL NUMBER
1	100692	YOKE - clamp, to header drive shaft	1	
2	30622	CROSS & BEARING KIT	2	
3	NSS	YOKE & SHAFT (order item 10)	1	
4	101169	SHIELD - outer, with decal (Walterscheid)	1	
	100828	SHIELD - outer, with decal (Weasler)	1	
5	30623	BEARING - shield, consists of two halves (Walterscheid)	2	
	32800	BEARING KIT - shield (Weasler)	2	
6	101170	SHIELD - inner (Walterscheid)	1	
	100829	SHIELD - inner (Weasler)	1	
7	21655	SUPPORT - shield (Walterscheid)	1	
8	NSS	YOKE & TUBE - (order item 11)	1	
9	24779	YOKE - spline bore, 1 3/8 x 21 teeth, with slide collar: JD & GLEANER	1	
	101144	YOKE - hex bore, with slide collar: CASE	1	
	101147	YOKE - spline bore, 1 3/8 x 6 teeth, with slide collar: NEW HOLLAND	1	
10	100825	JOINT ASS'Y. - male half, includes items 1,2,3,4,5	1	
11	101150	JOINT ASS'Y. - female half, incl. items 2,5,6,7,8,9: JD & GLEANER	1	
	100826	JOINT ASS'Y. - female half, incl. items 2,5,6,7,8,9: CASE	1	
	101146	JOINT ASS'Y. - female half, incl. items 2,5,6,7,8,9: NEW HOLLAND	1	
12	40095	REPAIR KIT - slide collar: JD, GLEANER & NEW HOLLAND (Weasler)		
	101145	REPAIR KIT - slide collar: CASE (Weasler)		
**	100111	DRIVELINE - complete, includes items 10 and 11: JD & GLEANER	1	
	100110	DRIVELINE - complete, includes items 10 and 11: CASE	1	
	100112	DRIVELINE - complete, includes items 10 and 11: NEW HOLLAND	1	
A	21880	BOLT - hex head, 1/2 NC x 2 3/4 inch		
B	50186	NUT - lock, smooth flange, 1/2 NC distorted thread		

NUMERICAL LIST

<u>PART NO.</u>	<u>PAGE</u>	<u>PART NO.</u>	<u>PAGE</u>	<u>PART NO.</u>	<u>PAGE</u>	<u>PART NO.</u>	<u>PAGE</u>
002149	5	037845	5	050193	17	101666	5
010686	9	037995	17	050193	21	101668	5
011695	9	038894	15	050219	5	101669	5
013125	25	038894	21	050219	5	101670	5
015903	5	040095	31	050221	5	101671	9
018671	9	040169	17	050223	5	101672	9
020043	13	040300	25	100057	9	101673	3
020043	19	040432	25	100069	9	101675	3
021010	9	040435	27	100100	7	101678	3
021540	3	040498	23	100110	31	101679	3
021655	31	040499	19	100111	31	101680	3
021824	23	040511	13	100112	31	101681	3
021824	27	040683	27	100155	15	101682	3
021830	7	040764	9	100201	9	101683	3
021855	5	040765	9	100222	9	101687	5
021855	19	040918	25	100383	9	101688	5
021855	27	041388	3	100525	19	101690	5
021856	19	042604	5	100525	27	101692	9
021857	5	043177	5	100528	23	101693	9
021857	19	043521	9	100570	5	101711	9
021857	27	043629	13	100571	5	101715	9
021858	13	043629	19	100574	5	101716	9
021859	9	043629	23	100575	5	101719	9
021859	12	043629	27	100576	5	101720	9
021860	12	043775	29	100585	29	101721	9
024779	31	044207	7	100589	9	101723	9
029934	19	044209	7	100591	9	101725	9
029934	27	044210	5	100592	9	101726	9
030282	5	044210	5	100692	31	101727	9
030316	29	044210	19	100765	3	101728	9
030556	23	044210	23	100820	3	101729	9
030601	12	044210	27	100825	31	101730	9
030622	31	044611	29	100826	31	101731	9
030623	31	045153	13	100828	31	101732	9
030639	7	045153	19	100829	31	101733	9
030695	5	045153	27	100862	9	101734	9
030825	23	045157	23	101008	9	101736	9
030825	27	045157	27	101026	9	101738	9
030854	23	045160	7	101109	27	101739	9
030908	23	045205	7	101144	31	101740	9
030909	23	049223	23	101145	31	101741	9
030926	5	049340	25	101146	31	101745	9
030970	7	050022	19	101147	31	101749	3
030971	5	050022	23	101150	31	101752	3
030971	7	050022	27	101169	31	101756	12
030971	7	050082	5	101170	31	101773	9
030972	23	050082	19	101243	3	101793	5
032225	7	050082	27	101343	12	101797	5
032800	31	050085	13	101394	5	101798	15
033424	5	050103	5	101655	9	101798	17
037785	19	050104	5	101658	9	101798	21
037785	27	050193	3	101659	9	101798	25
037842	23	050193	15	101660	9	101857	3

NUMERICAL LIST

<u>PART NO.</u>	<u>PAGE</u>	<u>PART NO.</u>	<u>PAGE</u>	<u>PART NO.</u>	<u>PAGE</u>	<u>PART NO.</u>	<u>PAGE</u>
101859	3	102640	5				
101878	3	102643	7				
101888	9	102653	23				
101891	3	102668	15				
101895	3	102671	15				
101898	15	102704	5				
101901	3	102705	5				
101902	3	102706	5				
101939	5	102709	17				
101940	5	102711	5				
101941	5	102713	17				
101957	3	102717	27				
101962	5	102779	25				
101963	5	102820	23				
101983	19	102828	25				
101984	13	102830	21				
101984	23	102831	21				
101986	3	102853	25				
101987	3						
101998	3						
102001	3						
102004	17						
102006	17						
102107	3						
102108	3						
102168	17						
102169	17						
102170	17						
102171	17						
102171	21						
102178	15						
102178	21						
102179	15						
102179	21						
102220	15						
102264	3						
102265	3						
102434	7						
102435	5						
102436	7						
102438	7						
102463	12						
102465	21						
102466	12						
102467	12						
102477	21						
102505	21						
102506	21						
102564	21						
102616	7						
102621	25						
102633	25						
102634	25						

MacDon

The Quiet Leader

46378 Issue 5/97
Sugg. Retail: \$10.00

Printed in Canada