

Model 962/963 HARVEST HEADERS

SHIELDING SUPPLEMENT

Inside Front Cover
(blank)

**MacDon 962/963
HARVEST HEADER
SHIELDING SUPPLEMENT**

TABLE OF CONTENTS

INSTALLATION

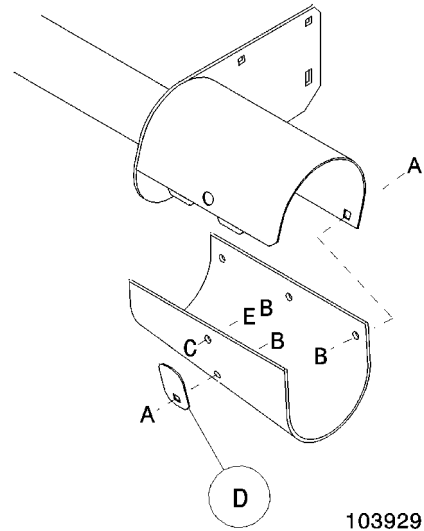
Driveline Shield Latch Cover – 962 Headers Only	2
Reel and Reel Drive Shielding	3
Bat Reel Shielding – S.N. 144176 and below	4
Pick-Up Reel Shielding.....	5
Sickle Shielding	5

PARTS LIST	6, 7
-------------------------	------

INSTALLATION

DRIVELINE SHIELD LATCH COVER – (962 Headers Only)

1. Install latch cover (D) as shown with the following hardware:
 - A - 3/8 x 3/4 carriage bolts
 - B - 3/8 flange locknut
 - C - 3/8 x 3/4 flange head bolt
 - E – 17/32 I.D. flat washer
2. To open shield, insert screwdriver between cover (D) and shield and pry head of bolt (C) back to release.



DRIVELINE SHIELD LATCH COVER - 962

INSTALLATION

REEL AND REEL DRIVE SHIELDING

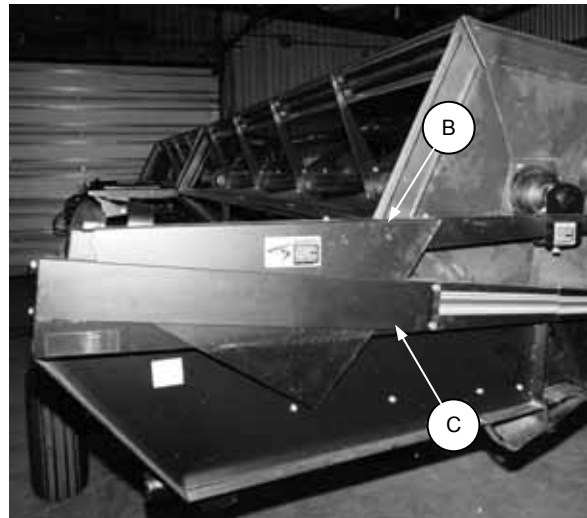
1. Attach L/H reel arm shield (A) to reel arm with three 3/8 x 3/4 flange bolts and flange nuts (bolt heads on top).



L/H REEL ARM SHIELD

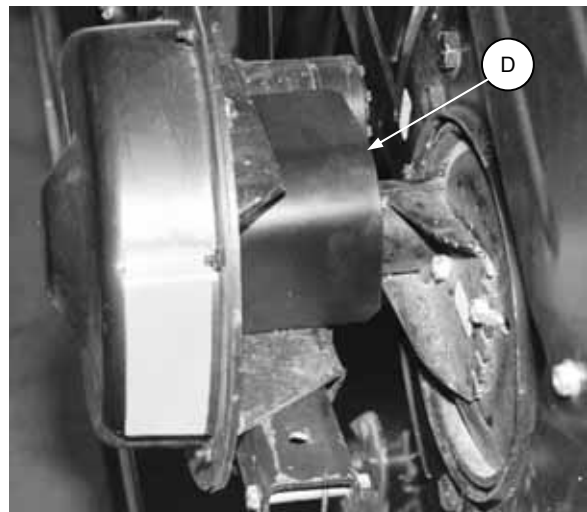
2. Attach R/H reel arm shield (B) to reel arm with three 3/8 x 3/4 flange bolts and flange nuts (bolt heads on top).

Attach shield retainer (C) to R/H endsheet with four 3/8 x 3/4 carriage bolts and flange nuts (bolt heads outside).



R/H REEL ARM SHIELD

3. 30' Header only: Attach reel drive shield (D) to reel drive plate with one 3/8 x 3/4 flange bolt and flange nut.



REEL DRIVE SHIELD

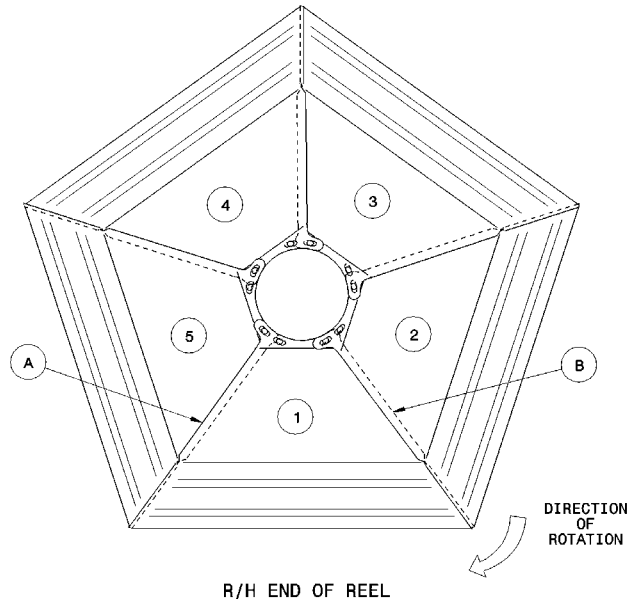
INSTALLATION

BAT REEL SHIELDING – S.N. 144176 and below.
For Serial numbers 144177 and above, see 962 or 963 Header Unloading & Assembly Instruction.

1. Assemble reel end shields as follows:

Note that in mating the five shield sectors, each sector will have one mating edge exposed and one mating edge hidden under the adjoining sector.

To prevent crop catching at overlap: For each shield sector, be sure exposed edge leads in direction of rotation. For example, sector 1 exposed edge is at (A), hidden edge is at (B).



BAT REEL END SHIELDS

Attach reel end shields and supports to reel tube as shown with:

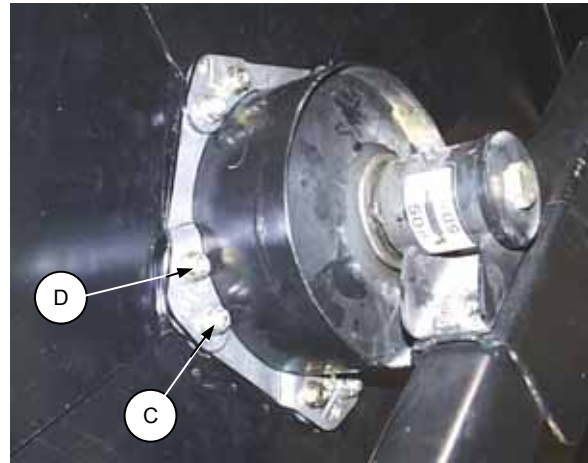
30' Header - 3/8 x 2-inch carriage bolts and locknuts at (C).

36' Header - 3/8 x 1-1/2 inch carriage bolts and locknuts at (C).

30' & 36' Headers - 3/8 x 1 inch flange head bolts and locknuts at (D).

NOTE: These bolts do not engage reel tube mounts

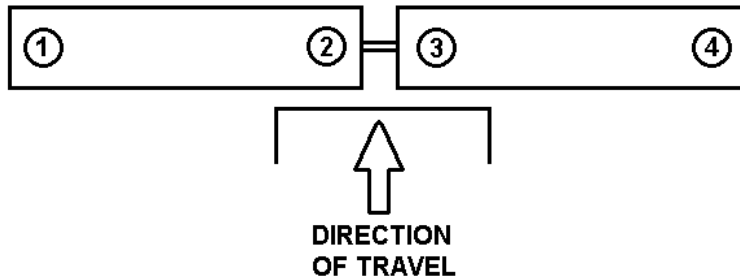
Attach at bats with 3/8 x 1/2 flange head bolts and locknuts.



BAT REEL END SHIELD SUPPORTS

For 36' Headers:

Shields are tagged with identification numbers to assist placing at correct location. Follow the diagram below:

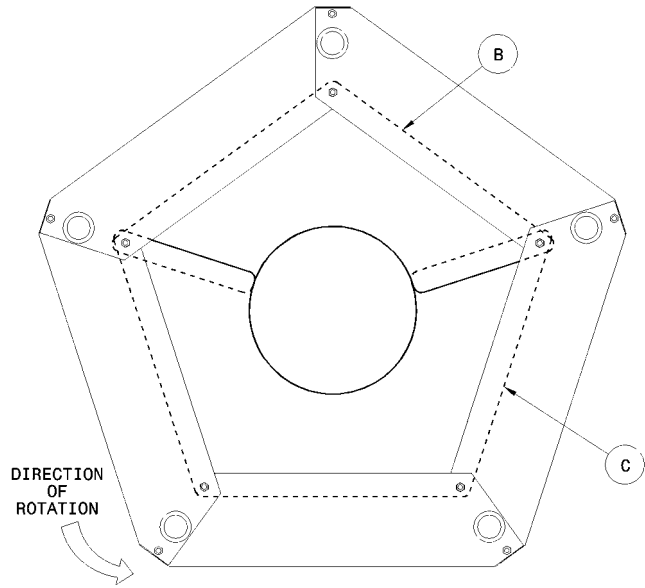


INSTALLATION

PICK-UP REEL SHIELDING

1. Attach shields (B) and (C) to existing reel end shields, closing off ends of reel. Replace existing hardware with 5/16 x 1/2 Phillips truss head screws.

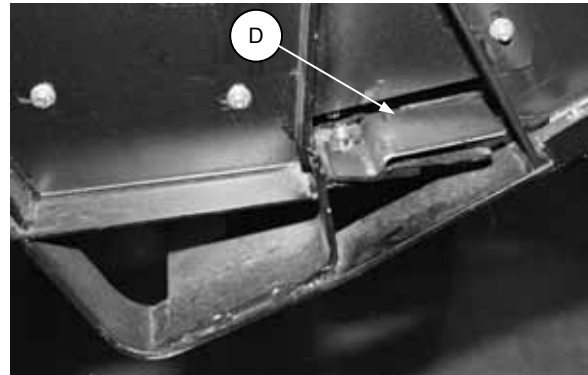
NOTE: For 30' Header, use shields with larger cut-out at the drive end for clearance to reel motor.



PICK-UP REEL END SHIELDS

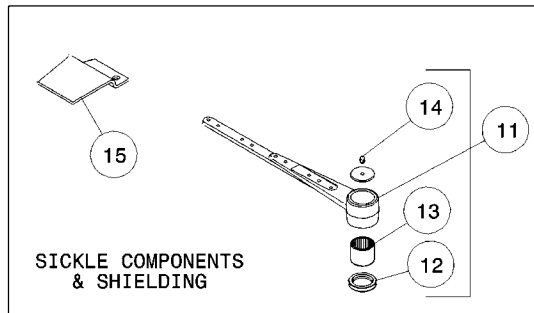
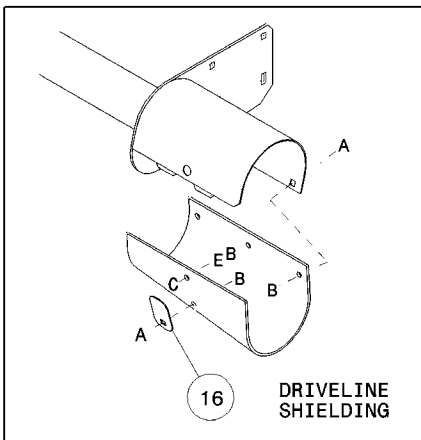
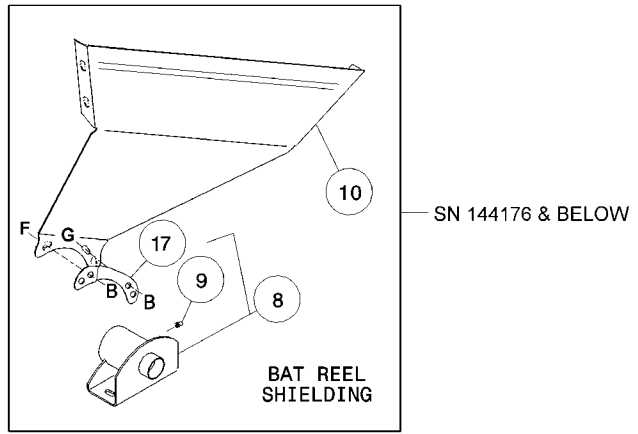
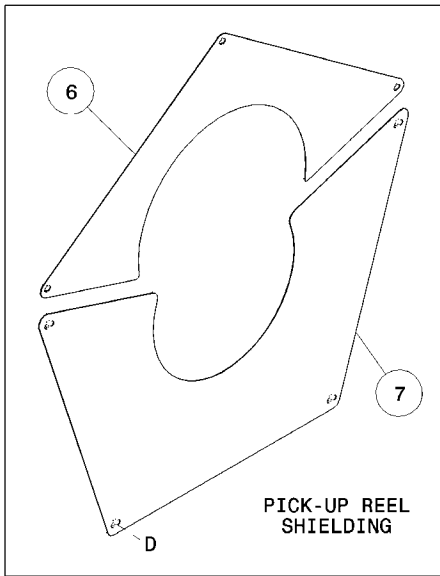
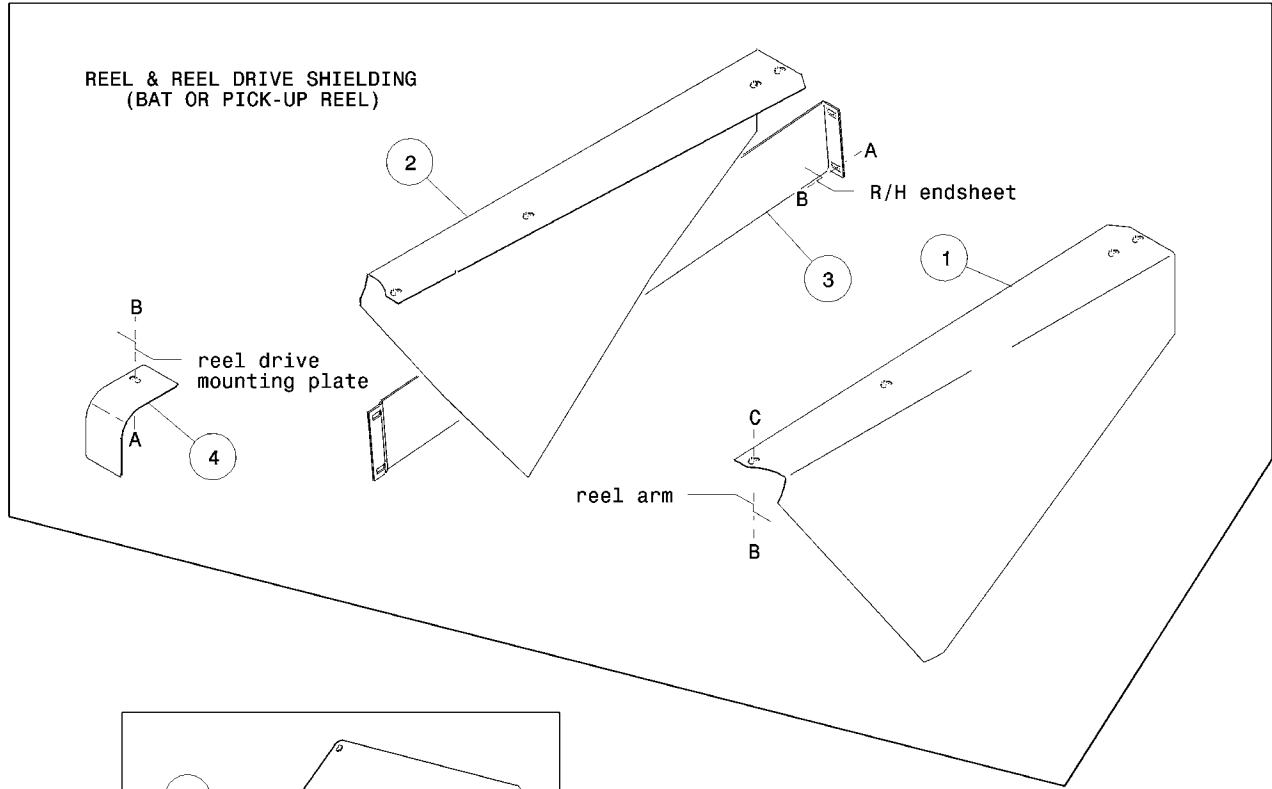
SICKLE SHIELD

Install shield (D) at R/H end of sickle, using existing hardware.



SICKLE END SHIELD

PARTS LIST



PARTS LIST

REF	PART NUMBER	DESCRIPTION	QTY	SERIAL NUMBER
1	103462	SHIELD - left reel arm	1	
2	103463	SHIELD - right reel arm.....	1	
3	103492	RETAINER - right reel arm shield	1	
4	103483	SHIELD - reel drive, 30' only	1	
6	103646	SHIELD - pick-up reel, cam end, 2/5 th segment (qty. 2 for 36').....	1	
	114193	SHIELD - pick-up reel, drive end, 2/5 th segment (30' only)	1	
7	103645	SHIELD - pick-up reel, cam end, 3/5 th segment (qty. 2 for 36').....	1	
	114192	SHIELD - pick-up reel, drive end, 3/5 th segment (30' only)	1	
8	103796	SUPPORT - reel, includes lube fitting 18671 (qty. 2 for 36').....	1	-144176
9	18671	FITTING - lube	1	
	21010	FITTING - lube, 90°, 36' R/H only	1	
10	117305	SHIELD - bat reel end, left – 30' header (was 116049)	5	-144176
	117302	SHIELD - bat reel end, right – 30' header (was 116045)	5	-144176
	117303	SHIELD - bat reel end, 36' L/H reel inboard end (was 116046).....	5	-144176
	117304	SHIELD - bat reel end, 36' L/H reel outboard end (was 116048).....	5	-144176
	117306	SHIELD - bat reel end, 36' R/H reel inboard end (was 116050)	5	-144176
	117302	SHIELD - bat reel end, 36' R/H reel outboard end (was 116045).....	5	-144176
11	103704	HEAD ASSEMBLY – raised sickle, incl. items 12 to 14, see note below.....	1	-124499
	113317	HEAD ASSEMBLY – raised sickle, includes items 12 to 14	1	124500-
12	37930	SEAL - sickle head (install with lip facing outward), see note below.....	1	-124499
	113222	SEAL - sickle head (install with lip facing outward).....	1	124500-
13	100500	BEARING - needle	1	
14	18671	FITTING - lube	1	
15	102918	SHIELD - sickle, right end	1	
16	103552	COVER - driveline shield latch.....	1	
17	121012	SUPPORT – bat reel end shields (Qty 20 for 36').....	10	-144176
A	21863	BOLT - round head, square neck, 3/8 NC x 3/4 inch		
B	30228	NUT - lock, smooth flange, 3/8 NC distorted thread		
C	21821	BOLT - flange head, 3/8 NC x 3/4 inch		
D	105118	SCREW – machine, Phillips truss head, 5/16 NC x ½ inch		
E	18599	WASHER – flat, ½ inch ID		
F	21470	BOLT – round head, square neck, 3/8 NC x 2 inch (30' Only)		
	21484	BOLT – round head, square neck, 3/8 NC x 1-1/2 inch (36' Only)		
G	21975	BOLT - flange head, 3/8 NC x 1 inch		

NOTE: Newer sickle head 113317 and seal 113222 may be used to replace 103704 head and 37930 seal, respectively. When making either of these substitutions, also order sickle head pin 113229 to prevent seal damage on installation.