

MacDon

**Model 902
CENTER MOUNT ADAPTER
for
Model 9030
BI-DIRECTIONAL TRACTORS**

**PARTS CATALOG
SUPPLEMENT**

for
Model 910 & 920 Auger Header
Model 930 & 932 Grass Seed Header
Model 940 & 942 Multi-Crop Header
Model 960 & 962 Harvest Header

MacDon Industries Ltd.

680 Moray Street
Winnipeg, Manitoba R3J 3S3
(204) 885-5590, Fax 832-7749



MacDon, Inc.

9700 NW Conant Avenue
Kansas City, Missouri 64153-1832
(816) 891-7313, Fax 891-7323

**MacDon Model 902
Center Mount Adapter
for Model 9030 Bi-Directional Tractor
Parts Catalog**

CONTENTS

Adapter Frame & Tractor Linkage	2,3
Header Linkage & Float Group.....	4,5
Drivelines.....	6,7
Hydraulics.....	8,9
Electrical.....	10
960 Harvest Header Windrower Adapter	11
Decals	12,13
 Numerical List.....	 14
SUGGESTED STOCKING LIST	15

ABBREVIATIONS:

L/H - left hand, determined from Operator's position, facing forward.
R/H - right hand

ID - inside diameter
OD - outside diameter

NC - national coarse thread
NF - national fine thread

REF - reference, part number is called up elsewhere in catalog.
NSS – not serviced separately

NOTE: Common hardware is not illustrated. Alphabetic references are used to designate position and description of these items.

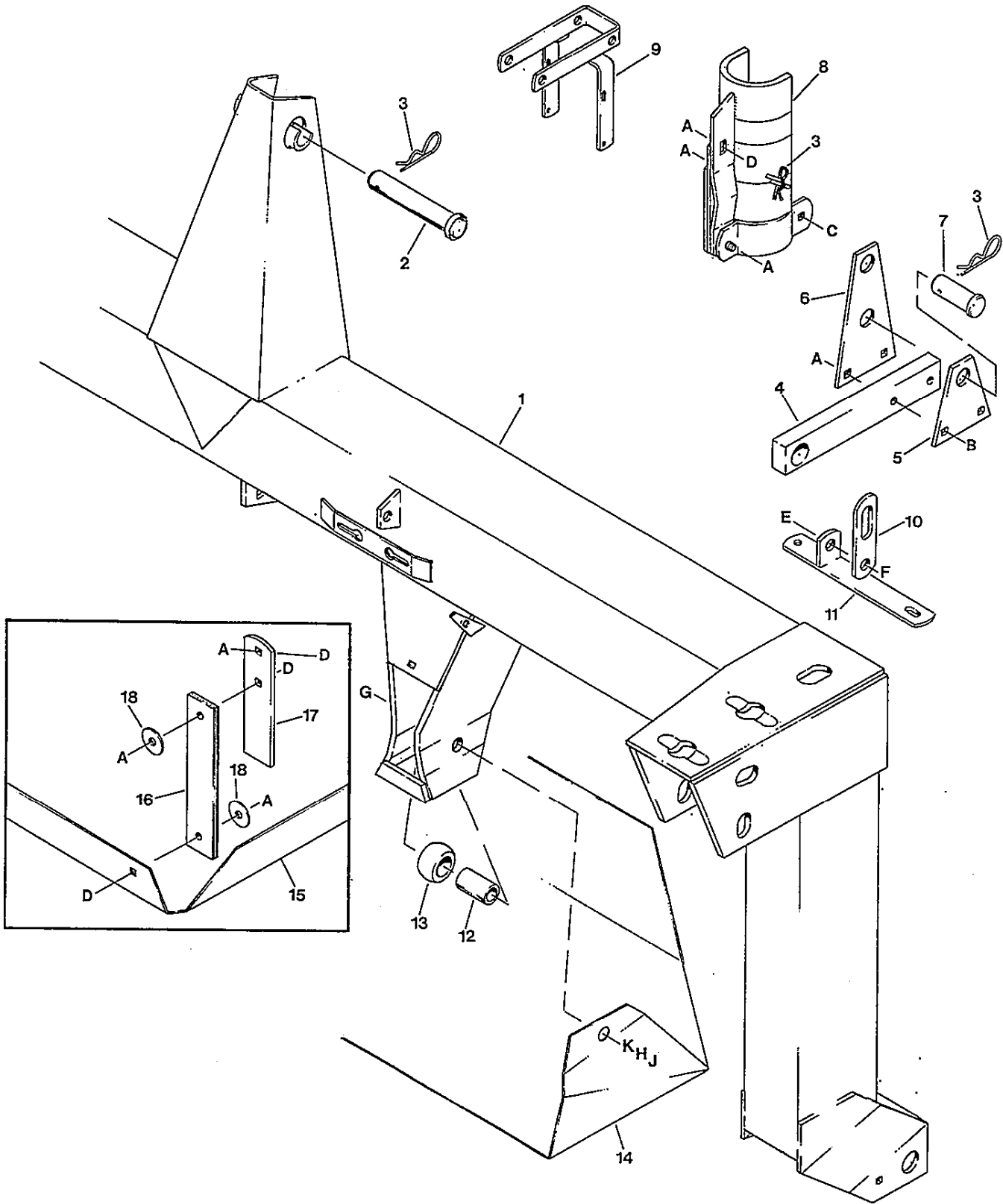
When ordering, be sure the complete and proper serial number is given.

SERIAL NUMBER BREAKS:

The side of the serial number on which the dash (-) appears determines whether the part is used "up to" or "after" the serial number given.

Example:	-77746	Used on machines up to and including serial number 77746.
	77747-	Used on machines including and after serial number 77747.

ADAPTER FRAME & TRACTOR LINKAGE



ADAPTER FRAME & TRACTOR LINKAGE

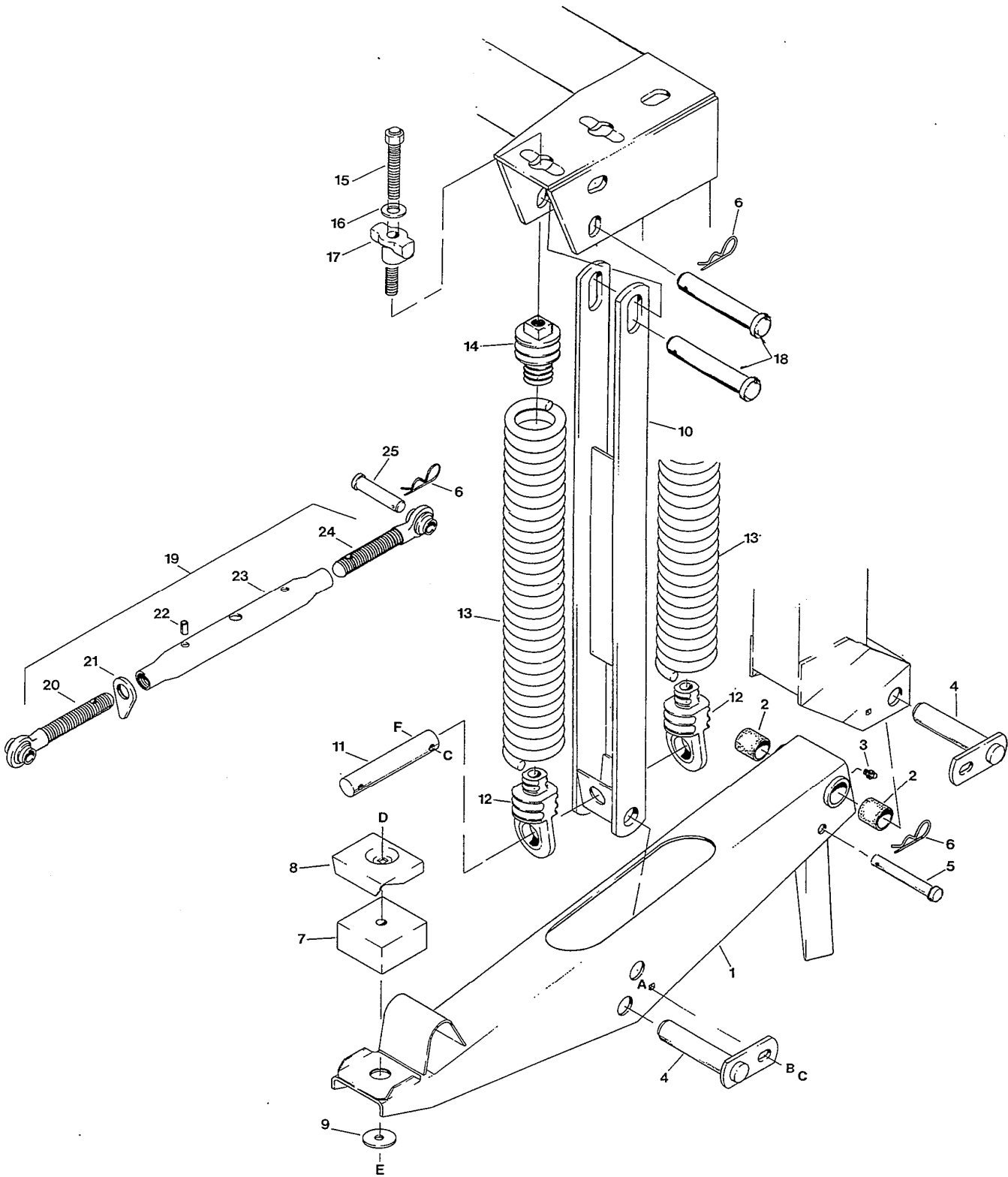
REF	PART NUMBER	DESCRIPTION	QTY	SERIAL NUMBER
1	49238	FRAME - adapter.....	1	
2	49341	PIN - tractor center link.....	1	
3	13125	PIN - hair.....	4	
4	49354	BAR - link extension	2	
5	49353	LUG - link extension	2	-102199
	49380	LUG - link extension	2	102200-
6	49355	LUG - link extension	2	-102199
	49381	LUG - link extension	2	102200-
7	30525	PIN - clevis, 1 inch dia. x 2.28 effective length	2	
8	49393	STOP - 3 point hitch lift cylinder	1	
9	49365	SUPPORT - tractor center link	1	
10	49372	BAR - forming shield support (See NOTE 1).....	2	
11	49373	BAR - mounting, forming shield support (See NOTE 1).....	2	
12	49379	SPACER - lower link.....	2	
13	50106	BALL - lower link.....	2	
14	49376	DEFLECTOR - windrow, adapter mounted (See NOTE 2)	1	
15	REF	DEFLECTOR - windrow, tractor mounted - not serviced, order item 14	1	-91999
16	49388	STRAP - rubber	2	-91999
17	49389	BAR - mounting	2	-91999
18	16652	WASHER - flat.....	4	-91999
A	30228	NUT - lock, smooth flange, 3/8 NC distorted thread		
B	21470	BOLT - round head, square neck, 3/8 NC x 2 inch		
C	50088	BOLT - round head, square neck, 3/8 NC x 3 1/2 inch		
D	19965	BOLT - round head, square neck, 3/8 NC x 1 inch		
E	21594	BOLT - hex head, 5/8 NC x 1 1/2 inch		
F	18666	NUT - lock, 5/8 NC distorted thread		
G	30876	BOLT - hex head, 3/4 NC x 4 inch		
H	18640	WASHER - lock, 3/4 I.D.		
J	18593	NUT - hex, 3/4 NC		
K	18601	WASHER - flat, 13/16 inch I.D.		

NOTES:

(1) - For 910/920 Auger Header with hay conditioner and 942 Multi-Crop Header with hay conditioner.

(2) - For headers without hay conditioner.

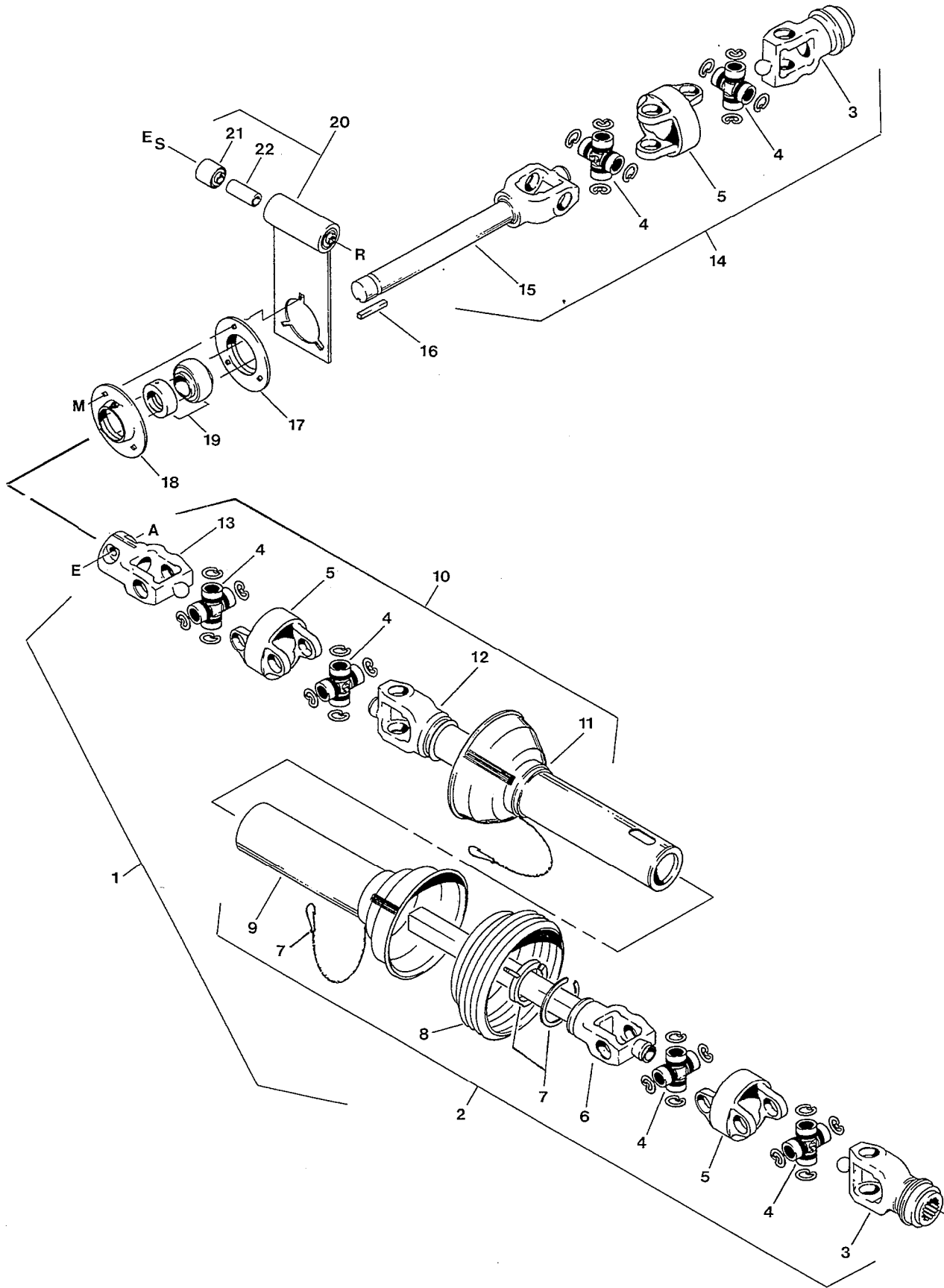
HEADER LINKAGE & FLOAT GROUP



HEADER LINKAGE & FLOAT GROUP

REF	PART NUMBER	DESCRIPTION	QTY	SERIAL NUMBER
1	49326	LEG - header lower link, includes items 2 & 3.....	2	
2	1134	SLEEVE - bearing	4	
3	18671	FITTING - lube.....	2	
4	49344	PIN - leg (NOTE: Install pin from inboard side of adapter)	4	
5	49378	PIN - adapter stand.....	2	
6	13125	PIN - hair.....	8	
7	42498	PAD - rubber.....	2	
8	44575	PLATE - pad cover	2	
9	11695	WASHER - flat.....	2	
10	49214	BAR - spring support	2	
11	49213	PIN - lower spring anchor	2	
12	42691	INSERT - spring, lower	4	
13	42690	SPRING - extension	4	
14	24322	INSERT - spring, upper	4	
15	41122	BOLT - float spring.....	4	
16	21540	WASHER - hardened	4	
17	36837	PIVOT - float spring.....	4	
18	49341	PIN - float spring.....	4	
19	42104	JOINT ASSEMBLY - center link, includes items 20 to 24	1	
20	42432	JOINT - ball, R/H thread (header end).....	1	
21	42433	COLLAR - locking.....	1	
22		PIN - roll.....	2	
23	42434	TUBE - center link	1	
24	42431	JOINT - ball, L/H thread (adapter end)	1	
25	20312	PIN - clevis, center link	2	
A	19965	BOLT - round head, square neck, 3/8 NC x 1 inch		
B	18590	NUT - hex, 3/8 NC (fits in slot of pin bracket)		
C	30228	NUT - lock, smooth flange, 3/8 NC distorted thread		
D	30266	BOLT - round head, square neck, 1/2 NC x 3 inch		
E	21389	NUT - lock, 1/2 NC nylon insert		
F	20078	BOLT - hex head, 3/8 NC x 1 3/4 inch		

DRIVELINES



DRIVELINES

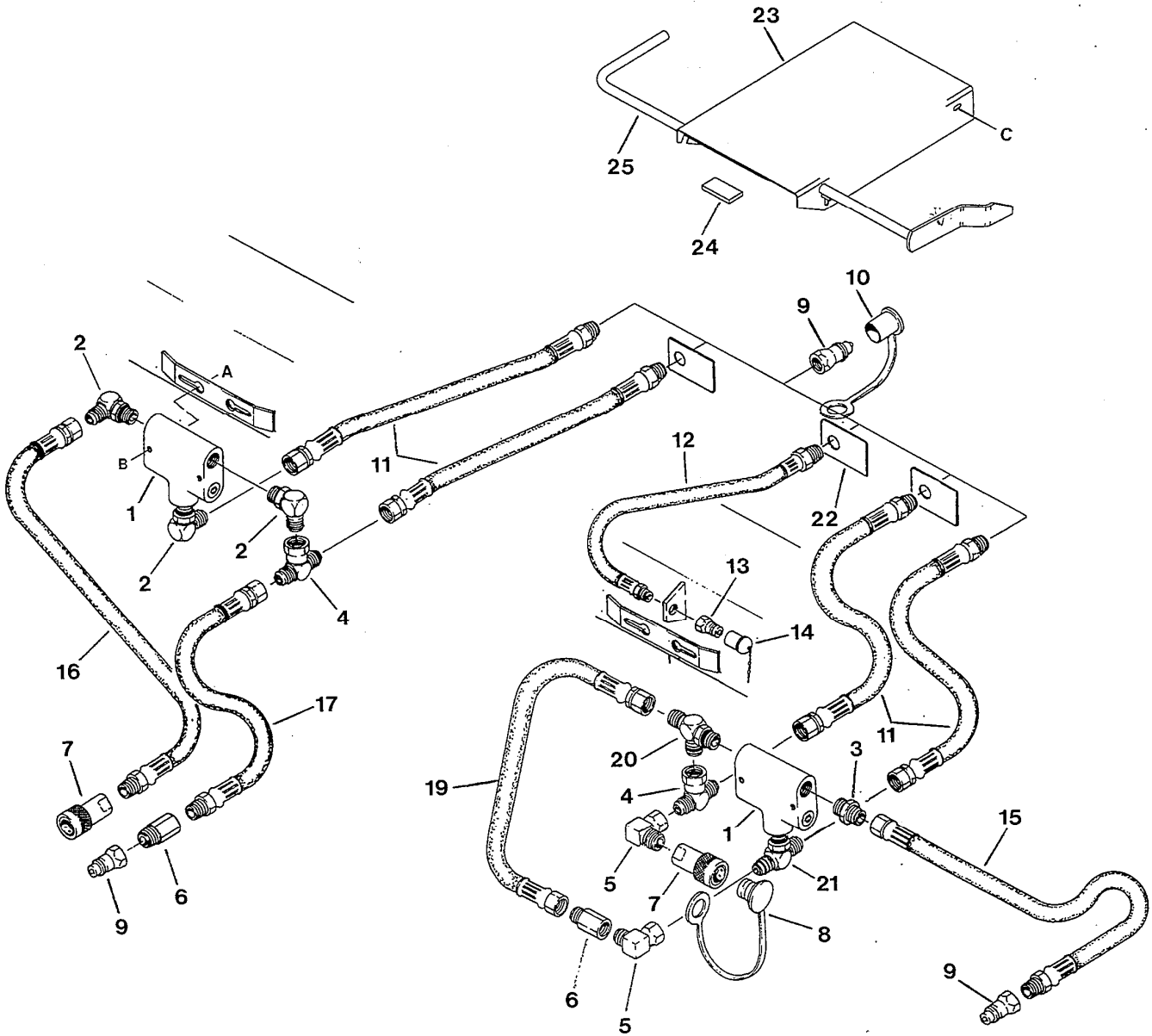
REF	PART NUMBER	DESCRIPTION	QTY	SERIAL NUMBER
1	49325	DRIVELINE - telescoping CV, includes items 2 and 10	1	
2	49320	JOINT ASSEMBLY - male half, includes items 2 to 9	1	
3	49311	YOKE - CV, spline bore, 1 3/8 x 21 teeth, with slide collar.....	2	
4	30622	CROSS & BEARING KIT.....	6	
5	49312	HOUSING - CV.....	3	
6		YOKE & SHAFT - not serviced, order item 2.....	1	
7	49316	SHIELD BEARING & CHAIN KIT - see note *	2	
8	NSS	EXTENSION - shield bell.....	2	
9	49323	SHIELD - outer, includes extension, item 8	1	
10	49315	JOINT ASSEMBLY - female half, includes items 4, 5, 7, 8, 11, 12, 13	1	
11	49324	SHIELD - inner, includes extension, item 8	1	
12		YOKE & TUBE - not serviced, order item 10.....	1	
13	49319	YOKE - CV, clamp.....	1	
14	49310	DRIVELINE - to tractor PTO, includes items 3, 4, 5, 15	1	
15		YOKE & SHAFT - not serviced, order item 14.....	1	
16	7038	KEY - 1/4 square x 2 inch.....	1	
17	49306	FLANGE - bearing	1	
18	49307	FLANGE - bearing, with lube fitting	1	
19	21859	BEARING - ball, with lock collar	1	
20	49296	SUPPORT - driveline, with bushings, space and decal.....	1	
21	50040	BUSHING - rubber.....	2	
22	32202	SPACER - tube.....	1	
A	21576	BOLT - hex head, 1/2 NC x 2 inch		
E	18697	NUT - lock, 1/2 NC distorted thread		
L	30228	NUT - lock, smooth flange, 3/8 NC distorted thread		
M	21863	BOLT - round head, square neck, 3/8 NC x 3/4 inch		
R	50160	BOLT - round head, square neck, 1/2 NC x 6 1/2 inch		
S	18591	NUT - hex, 1/2 NC		

NOTES:

* - Item 7, Shield Bearing & Chain Kit, includes the following:

- (1) - Shield Chain
- (1) - Chain Attachment Piece (nylon)
- (1) - Shield Bearing (nylon)
- (1) - Lube Fitting (for shield bearing)
- (1) - Bearing Retainer

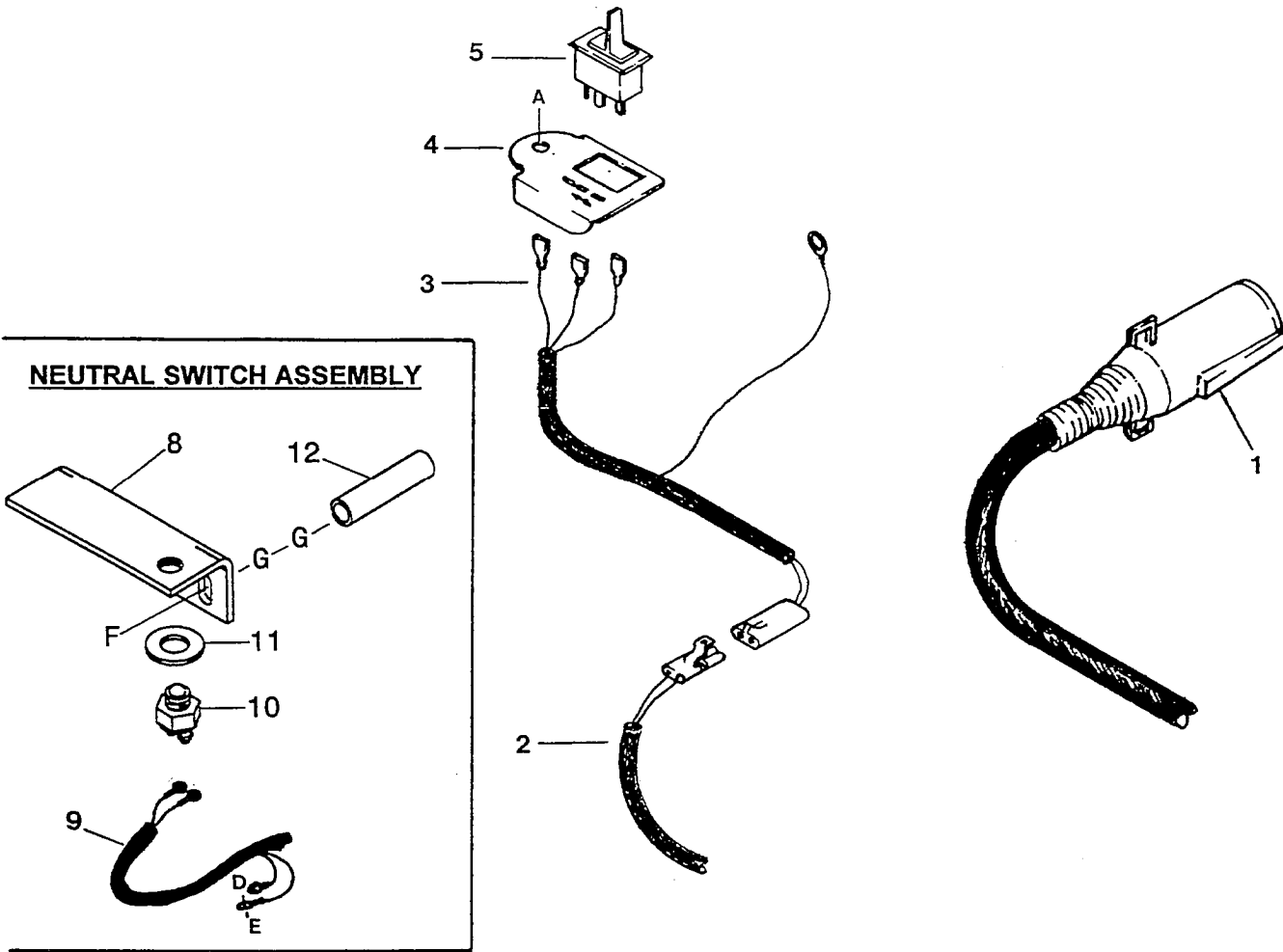
HYDRAULICS



HYDRAULICS

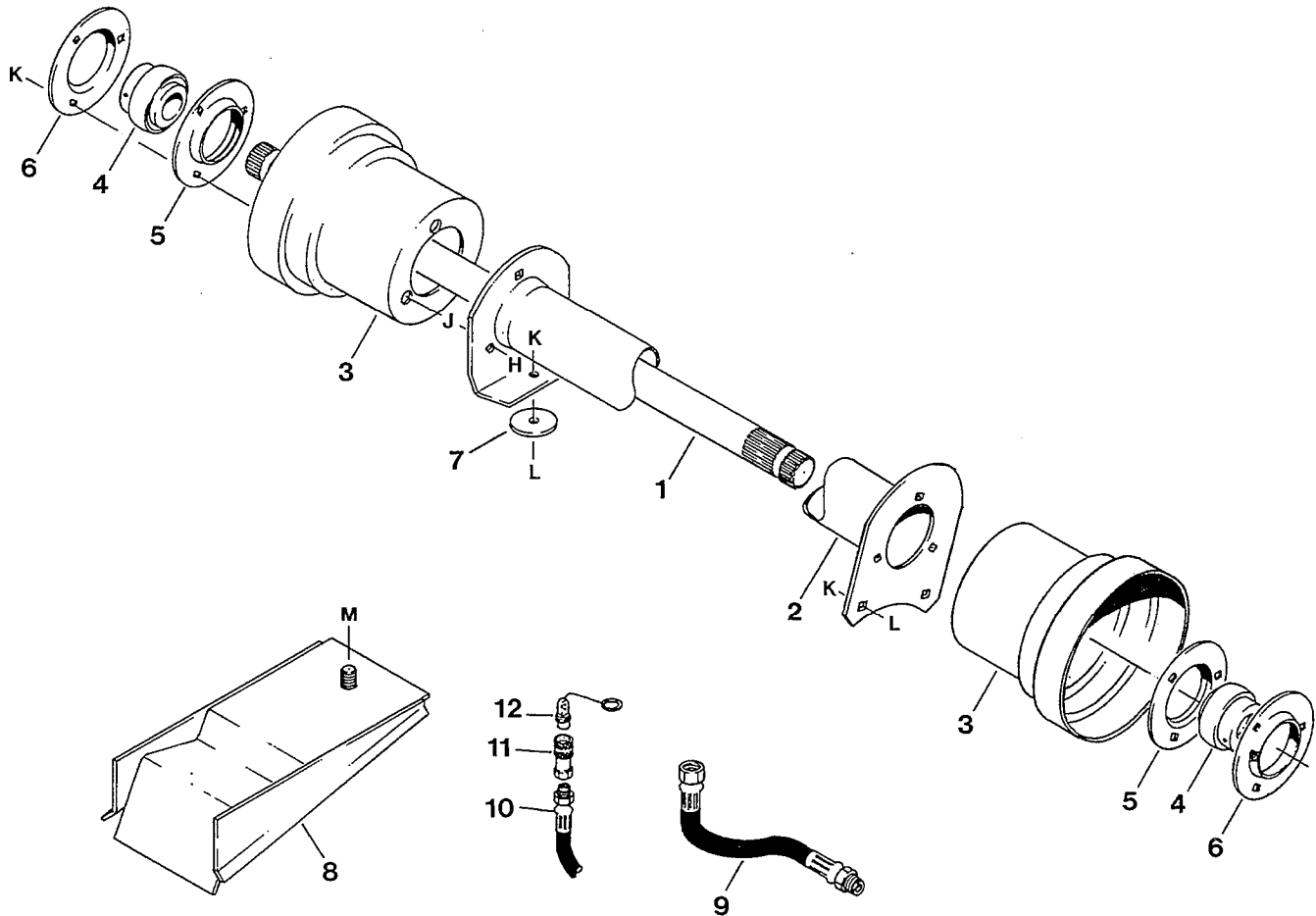
REF	PART NUMBER	DESCRIPTION	QTY	SERIAL NUMBER
1	49229	VALVE - divider	2	
2	21843	FITTING - 90° male elbow, 5/8 tube x 7/8 O-ring	3	
3	30974	FITTING - adapter, 1/2 NPT x 7/8 O-ring	1	
4	30857	FITTING - tee, swivel branch, 5/8 tube male (2) x 5/8 tube female	2	
5	50018	FITTING - 90° elbow, 1/2 NPT male x 5/8 tube female	2	
6	49223	VALVE - check	2	
7	21857	COUPLER - female, 1/2 NPT	2	
	50082	O-RING - for coupler 21857		
8	21858	PLUG - dust	1	
9	21855	COUPLER - male, 1/2 NPT	7	
10	21856	CAP - dust	5	
11	33424	HOSE - tractor to adapter	4	
12	49228	HOSE - reel lift	1	
13	30443	COUPLER - male, 1/4 NPT	1	
14	21824	CAP - dust	1	
15	47009	HOSE - pressure to male coupler - 920, 930 and 940 Headers	1	
	40245	HOSE - pressure to male coupler - 960 Header only	1	
16	49224	HOSE - reel drive pressure to female coupler	1	
17	49225	HOSE - reel drive return	1	
19	49231	HOSE - check valve to return line	1	
20	50019	FITTING - run tee, 5/8 tube (2) x 7/8 O-ring	1	
21	30560	FITTING - branch tee, 5/8 tube (2) x 7/8 O-ring	1	
22	49417	TAG - "cylinder retract port"	3	
23	49407	PANEL - with decal and seal (item 24)	1	
24	25059	SEAL - sponge	1	
25	49411	SUPPORT ROD - pedal control	1	
A	30822	BOLT - round head, square neck, 1/4 NC x 2 1/4 inch		
B	18724	NUT - lock, 1/4 NC distorted thread		
C	21947	SCREW - hex washer head, self-tapping, #10 x 5/8 inch		

ELECTRICAL



REF	PART NUMBER	DESCRIPTION	QTY	SERIAL NUMBER
1	49226 30710	HARNESS - wiring, header warning lights PLUG - 7 pole, included with harness 49226	1	
NOTE: Items 2 to 5 are used only with 960 Triple Delivery Harvest Header.				
2	43007	HARNESS - wiring, deck shift - adapter section.....	1	
3	43008	HARNESS - wiring, deck shift - tractor section.....	1	
4	42684	SUPPORT - deck shift switch, with decal.....	1	
5	42257	SWITCH - paddle type, deck shift	1	
8	49415	SUPPORT - switch	1	
9	49414	HARNESS - wiring, neutral switch.....	1	
10	30009	SWITCH - neutral	1	
11	18600	WASHER - flat.....	1	
12	45434	SPACER - tube.....	2	
A	30260	SCREW - self drilling, self tapping #12 x 1 inch		
D	30955	SCREW - round head, #8 NC x 5/16 inch		
E	18796	NUT - hex, #8 NC		
F	21579	BOLT - hex head, 3/8 NC x 3 1/4 inch		
G	18598	WASHER - flat, 13/32 inch I.D.		

960 HARVEST HEADER WINDROWER ADAPTER



REF	PART NUMBER	DESCRIPTION	QTY	SERIAL NUMBER
1	43286	SHAFT - driveline adapter	1	
2	43770	SUPPORT - adapter	1	
3	43777	SHIELD - shaft.....	2	
4	21936	BEARING - ball, with collar.....	2	
5	30602	FLANGE - bearing	2	
6	30603	FLANGE - bearing, with lube fitting	2	
7	1246	WASHER - flat, (supplied with adapter)	1	
8	43301	SUPPORT - linkage adapter, header lower leg.....	2	
9	40245	HOSE - draper drive pressure (See page 9, item 15)	1	
10	43626	HOSE - reel lift, (attach to hydraulic line at header L/H leg).....	1	
11	30442	COUPLER - q.d. female, 1/4 NPT - attach to header reel lift hose	1	
	50083	O-RING - for coupler 30442		
12	21876	PLUG - dust.....	1	
H	20077	BOLT - hex head, 3/8 NC x 1 inch		
J	18637	WASHER - lock, 3/8 inch		
K	30228	NUT - lock, smooth flange, 3/8 NC distorted thread		
L	19965	BOLT - round head, square neck, 3/8 NC x 1 inch		
M	18666	NUT - lock, 5/8 NC distorted thread		

NOTE: The 1/2 NC x 5 inch bolt and locknut included in this kit is not used with the 9030 Adapter.

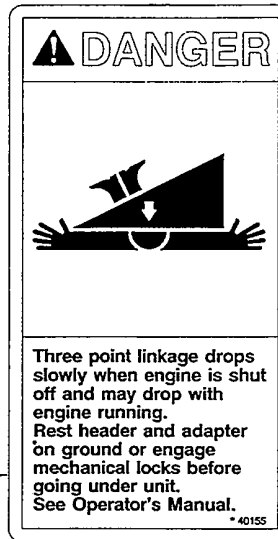
DECALS



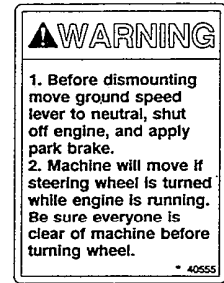
1



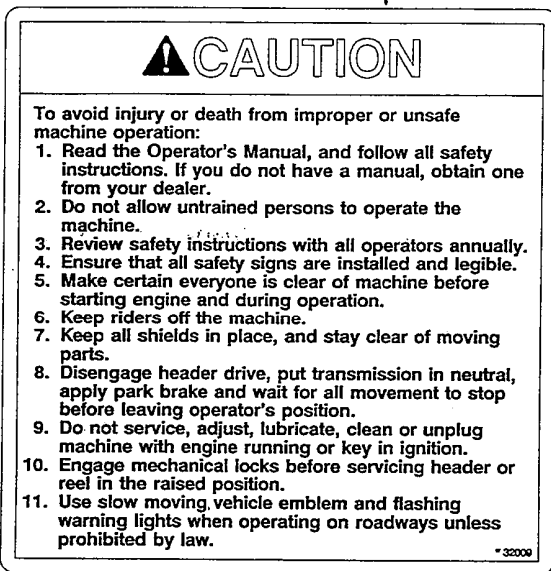
2



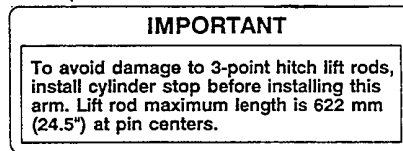
3



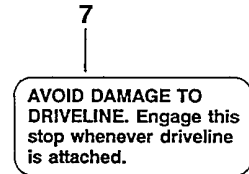
4



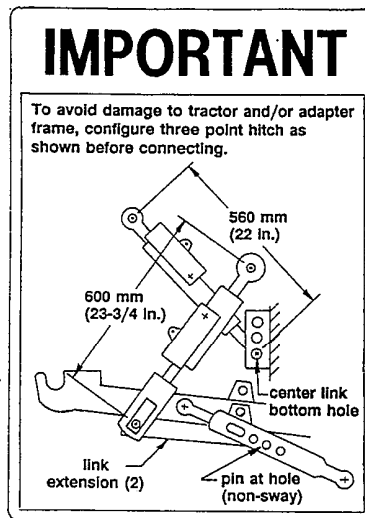
5



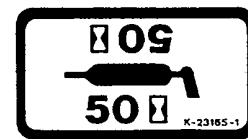
6



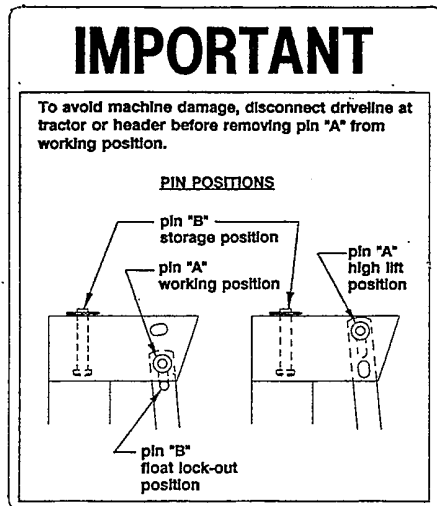
7



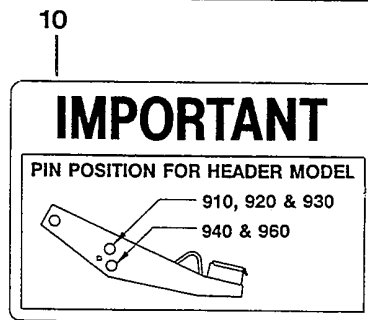
8



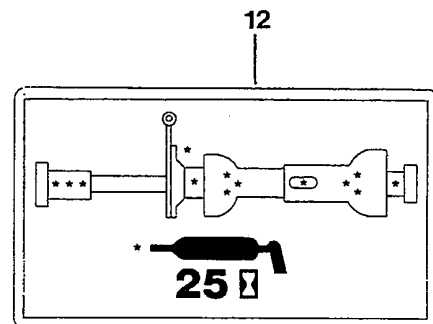
11



9



10



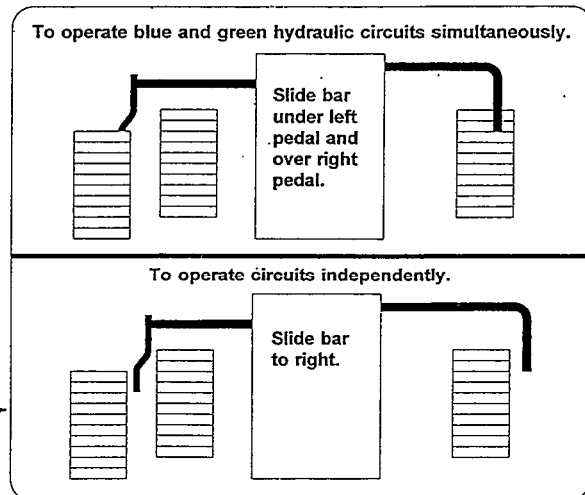
12

DECALS

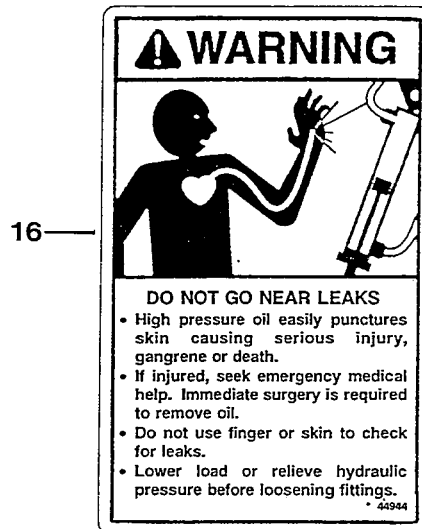
REF	PART NUMBER	DESCRIPTION	QTY	SERIAL NUMBER
1	30316	DECAL - DANGER: Rotating Driveline.....	2	
2	36651	DECAL - DANGER: Shield Missing (driveline inner shield).....	1	
3	40155	DECAL - DANGER: Three-Point Linkage.....	2	
4	40555	DECAL - WARNING: Controls to Neutral	1	
5	32009	DECAL - CAUTION: General Safety Practices	1	
6	49352	DECAL - Lift Rod Extensions	2	
7	49406	DECAL - Cylinder Stop	1	
8	49239	DECAL - Three-Point Hitch Settings	1	
9	49240	DECAL - Upper Float Pin Positions.....	1	
10	49334	DECAL - Lower Float Pin Positions.....	1	
11	23165	DECAL - 50 Hour Grease.....	2	
12	49297	DECAL - 25 Hour Grease, Driveline Assembly	1	
13	24242	DECAL - Deck Shift, used with 960 Triple Delivery Harvest Headers only ..	1	
14	49410	DECAL - WARNING: Neutral Switch.....	1	
15	49409	DECAL - 9030 Pedals	1	
16	44944	DECAL - WARNING: Hydraulic Oil Leaks	1	



14



15



16

NUMERICAL LIST

<u>PART NO.</u>	<u>PAGE</u>	<u>PART NO.</u>	<u>PAGE</u>	<u>PART NO.</u>	<u>PAGE</u>	<u>PART NO.</u>	<u>PAGE</u>
01134	5	43008	10	49407	9		
01246	11	43286	11	49409	13		
07038	7	43301	11	49410	13		
11695	5	43626	11	49411	9		
13125	3	43770	11	49414	10		
13125	5	43777	11	49415	10		
16652	3	44575	5	49417	9		
18600	10	44944	13	50018	9		
18671	5	45434	10	50019	9		
20312	5	47009	9	50040	7		
21540	5	49213	5	50082	9		
21824	9	49214	5	50083	11		
21843	9	49223	9	50106	3		
21855	9	49224	9				
21856	9	49225	9				
21857	9	49226	10				
21858	9	49228	9				
21859	7	49229	9				
21876	11	49231	9				
21936	11	49238	3				
23165	13	49239	13				
24242	13	49240	13				
24322	5	49296	7				
25059	9	49297	13				
30009	10	49306	7				
30316	13	49307	7				
30442	11	49310	7				
30443	9	49311	7				
30525	3	49312	7				
30560	9	49315	7				
30602	11	49316	7				
30603	11	49319	7				
30622	7	49320	7				
30710	10	49323	7				
30857	9	49324	7				
30974	9	49325	7				
32009	13	49326	5				
32202	7	49334	13				
33424	9	49341	3				
36651	13	49341	5				
36837	5	49344	5				
40155	13	49352	13				
40245	9	49353	3				
40245	11	49354	3				
40555	13	49355	3				
41122	5	49365	3				
42104	5	49372	3				
42257	10	49373	3				
42431	5	49376	3				
42432	5	49378	5				
42433	5	49379	3				
42434	5	49380	3				
42498	5	49381	3				
42684	10	49388	3				
42690	5	49389	3				
42691	5	49393	3				
43007	10	49406	13				

**9030 Bi-Directional Tractor
Model 902 Center Mount Adapter
SUGGESTED STOCKING LIST**

P.C. REF	PART NUMBER	DESCRIPTION	SUGGESTED QTY.		ORDER QTY	UNIT PRICE	EXT. PRICE
			2 UNITS	5 UNITS			
<u>DRIVELINES - Parts Catalog Pg 7</u>							
2	49320	JOINT ASSEMBLY - male half	0	1			
4	30622	CROSS & BEARING KIT	1	1			
10	49315	JOINT ASSEMBLY - female half	1	2			
14	49310	DRIVELINE - to tractor PTO	0	1			

MacDon

The Quiet Leader