

**R216 Rotary Disc Header – Model Year 2020 and Prior
Hose Cradle Kit (MD #338094)
INSTALLATION INSTRUCTIONS**

This kit is used to extend the hose cradle to reduce wear on the hoses connecting to the windrower.

A list of parts included in the kit is provided.

NOTE: Keep your MacDon publications up-to-date. The most current version of this instruction can be downloaded from our Dealer-only site (<https://portal.macdon.com>) (login required).

Installation Time

This kit takes approximately 1 hour to install.

Conventions

The following conventions are used in this document:

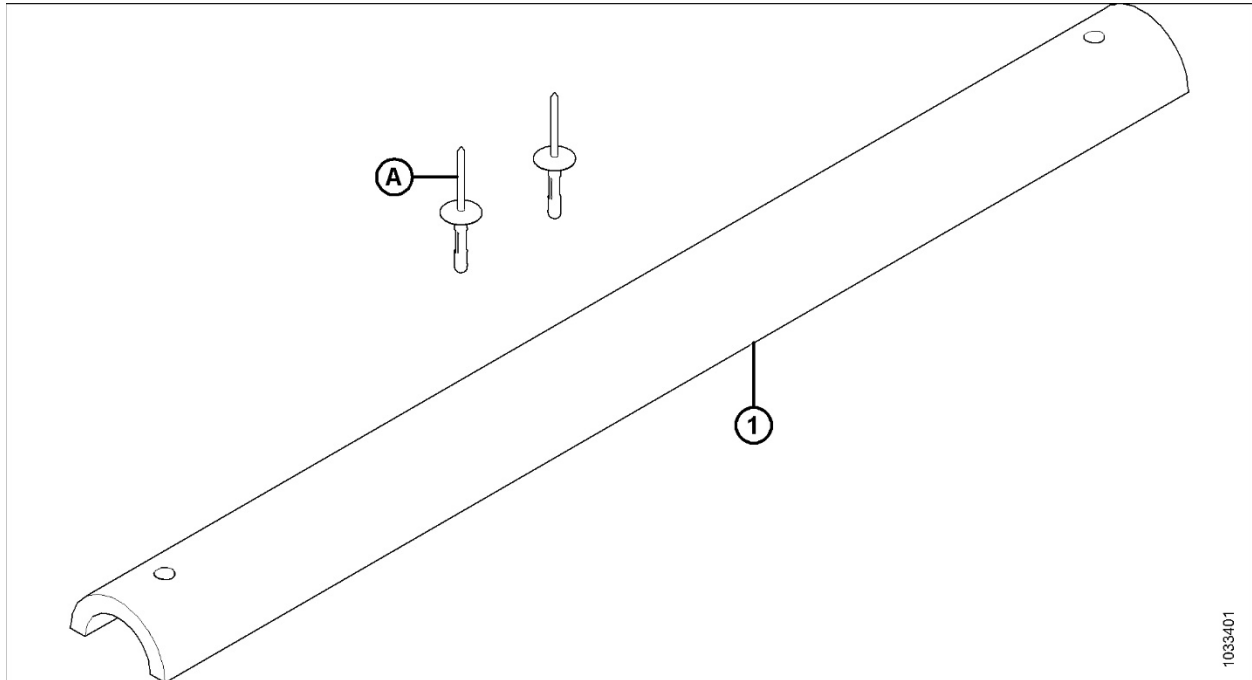
- Right and left are determined from the operator's position, facing forward with the windrower in cab-forward position.
- Unless otherwise noted, use the standard torque values provided in the R216 operator's manual and technical manual.

NOTE: This document is currently available in English only.

**R216 Rotary Disc Header – Model Year 2020 and Prior
Hose Cradle Kit (MD #338094)
INSTALLATION INSTRUCTIONS**

Parts List

This kit includes the following parts:



Ref	Part Number	Description	Qty
1	338075	SUPPORT - HOSE	1
A	320039	RIVET-POP 4.8MM X 27.2MM	2

**R216 Rotary Disc Header – Model Year 2020 and Prior
Hose Cradle Kit (MD #338094)
INSTALLATION INSTRUCTIONS**

Installation Instructions

To install the hose cradle kit, follow these steps:



WARNING

To avoid injury or death from unexpected start-up of machine, always stop the engine and remove the key from the ignition before leaving the operator's seat for any reason.

1. Lower the header fully.
2. Shut down the engine, and remove the key from the ignition.
3. Retrieve hose support (D) (MD #338075) from the shipping location.
4. Locate forming shield (C) under the windrower.
5. Place hose support (D) on the forming shield channel. Measure 161 mm (6-6/15 in.) (A) from the left edge of the channel to the edge of the hose support.
6. Clamp the hose support to the forming shield channel.
7. Using the hose support as a template, drill two 5 mm (3/16 in.) holes (B).

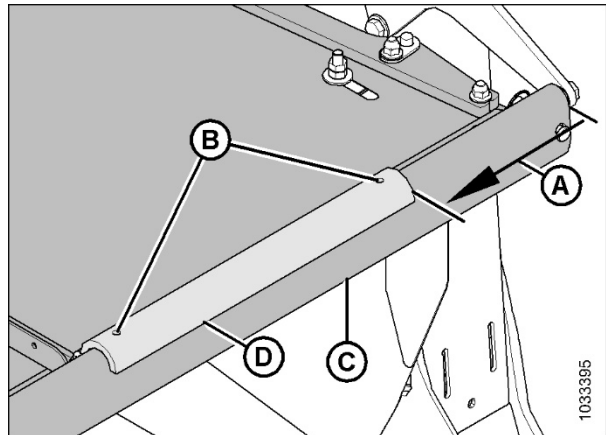


Figure 1: Forming Shield

8. Retrieve two pop rivets (B) (MD #320039) from the shipping location.
9. Install pop rivets (B) to secure hose support (A) to the forming shield channel.

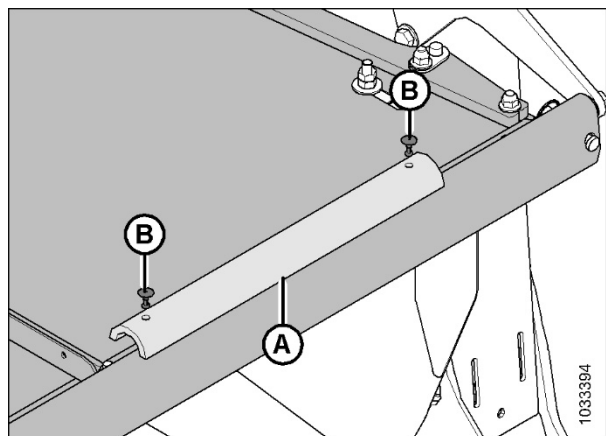


Figure 2: Forming Shield

**R216 Rotary Disc Header – Model Year 2020 and Prior
Hose Cradle Kit (MD #338094)
INSTALLATION INSTRUCTIONS**

© 2020 MacDon Industries, Ltd.

The information in this publication is based on the information available and in effect at the time of printing. MacDon Industries, Ltd. makes no representation or warranty of any kind, whether expressed or implied, with respect to the information in this publication. MacDon Industries, Ltd. reserves the right to make changes at any time without notice.