

FM100 Float Module
TILT HOSE SERVICE KIT (MD #311750)
INSTALLATION INSTRUCTIONS

Tilt Hose Service kit (MD #311750) is for FM100 Float Modules that need tilt hose (MD #213308) replaced. The kit includes tilt hose (MD #311491) (which supersedes tilt hose MD #213308) and Tilt Hose Loosener kit (MD #304915).

The Tilt Hose Loosener kit (MD #304915) replaces the hose holder with P-clips and spacers to give the tilt hoses room to slide back and forth. This prevents potential leakage at the center-link cylinder. Instruction MD #215188 is included in the kit.

A list of parts included in the kit is provided.

NOTE: Keep your MacDon publications up-to-date. The most current version of this instruction can be downloaded from our Dealer-only site (<https://portal.macdon.com>) (login required).

Installation Time

The approximate installation time for this kit is 1/2 hour.

Conventions

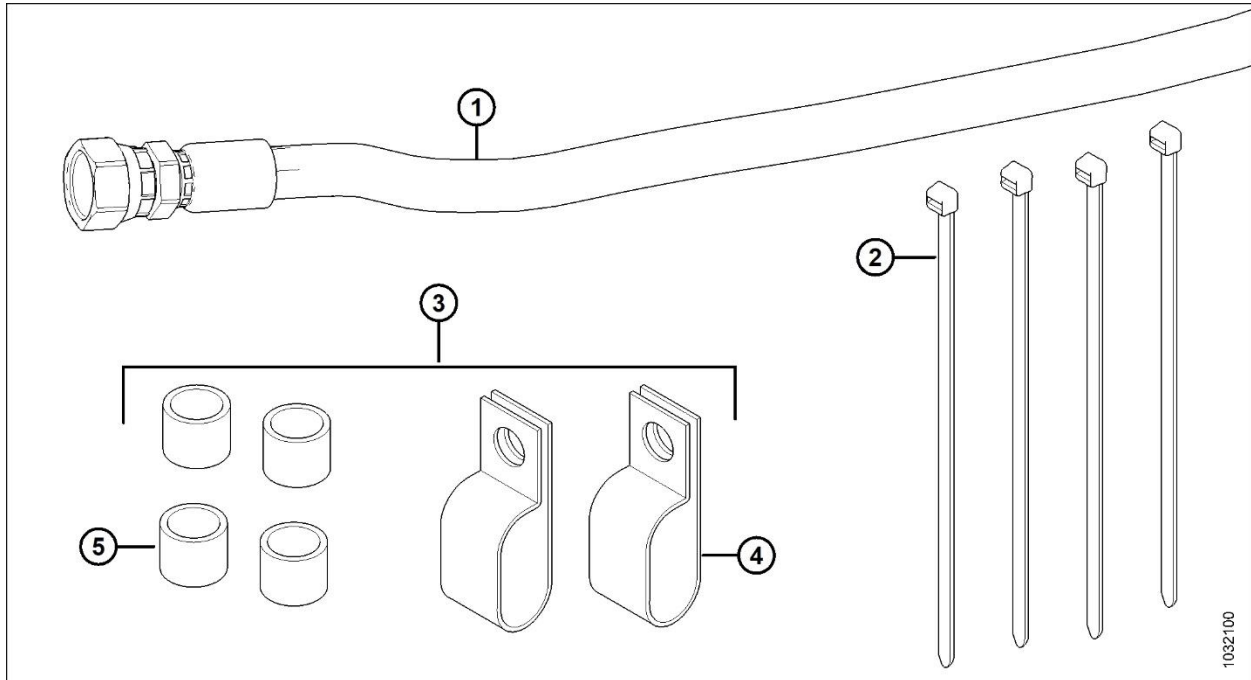
The following conventions are used in this document:

- Right and left are determined from the operator's position. The front of the header is the side that faces the crop; the back of the header is the side that connects to the combine.
- Unless otherwise noted, use the standard torque values provided in the header operator's manual and technical manual.

**FM100 Float Module
TILT HOSE SERVICE KIT (MD #311750)
INSTALLATION INSTRUCTIONS**

Parts List

This kit includes the following parts:



Ref	Part Number	Description	Qty
1	311491	HOSE – HYD, TILT BACK	1
2	21763	FASTENER – CABLE TIE, BLACK	4
3	304915	KIT – TILT HOSE LOOSENER ¹	1
4	135224	CLAMP – DOUBLE HOSE INSULATED	2
5	304914	SPACER – HOSE CLIP	4

¹ Includes clamps (MD #135224) and spacers (MD #304914).

**FM100 Float Module
TILT HOSE SERVICE KIT (MD #311750)
INSTALLATION INSTRUCTIONS**

Installation Instructions



DANGER

To avoid bodily injury or death from unexpected start-up or fall of raised machine, always stop engine, remove key, and engage safety props before going under header for any reason.

To install the Tilt Hose Service kit, follow these steps:

1. Remove the two bolts (B) that secure hose holder (A) in place. Retain bolts (B) and discard the hose holder.

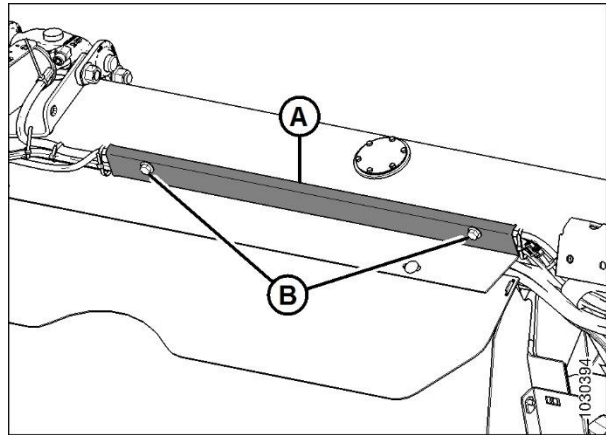


Figure 1: Tilt Hose Holder

2. Loosen the two bolts on clamp (A).

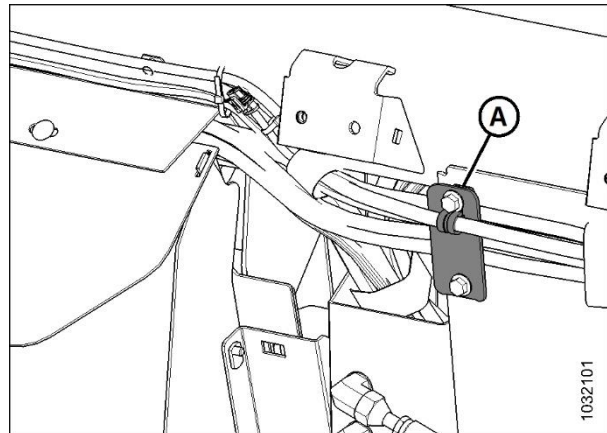


Figure 2: Hose Clamp

FM100 Float Module
TILT HOSE SERVICE KIT (MD #311750)
INSTALLATION INSTRUCTIONS

3. Tilt hose (A) (MD #213308) connects to port TA on the selector valve (B), and to the front fitting on the tilt cylinder (C). Cut the cable ties (D) and replace hose (A) with hose (MD #311491).

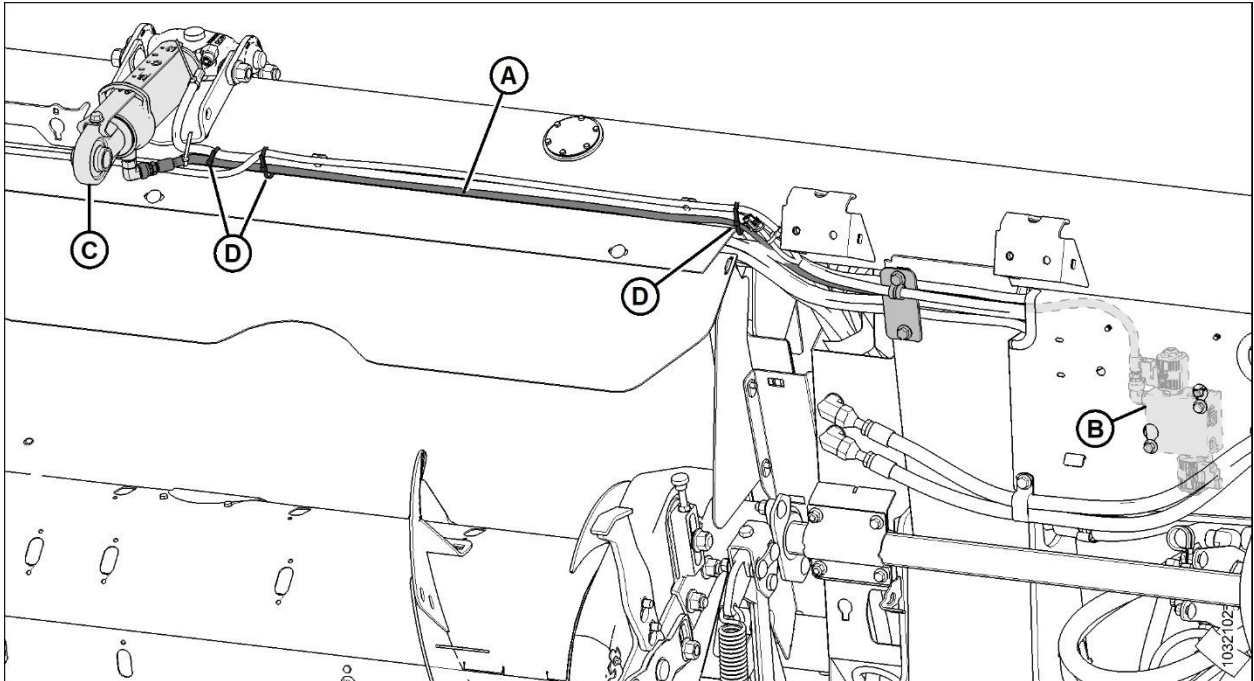


Figure 3: Tilt Hose Routing

4. Install Tilt Hose Loosener kit (MD #304915). Refer to installation instructions MD #215188.

NOTE: After the Tilt Hose Loosener kit is installed, secure the tilt hoses with the cable ties (A) supplied in the kit.

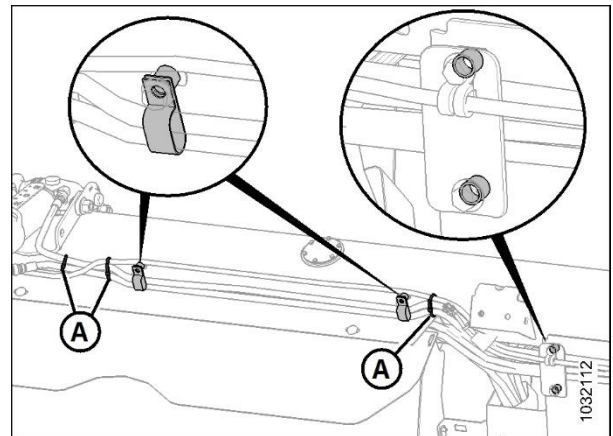


Figure 4: Kit MD #304915 Installed

© 2020 MacDon Industries, Ltd.

The information in this publication is based on the information available and in effect at the time of printing. MacDon Industries, Ltd. makes no representation or warranty of any kind, whether expressed or implied, with respect to the information in this publication. MacDon Industries, Ltd. reserves the right to make changes at any time without notice.