

**M1 Series Windrower**  
**MASTER CONTROLLER MODULE (MD #306320)**  
**INSTALLATION INSTRUCTIONS**

The Master Controller Module kit (MD #306320) contains a preprogrammed master controller module.

This document explains how to install the master controller module. A list of parts included in the kit is provided.

**NOTE:** This instruction is available in English only.

**Installation Time**

Replacing the master controller module and updating software (if needed) should take approximately 30 minutes.

**Conventions**

The following conventions are used in this document:

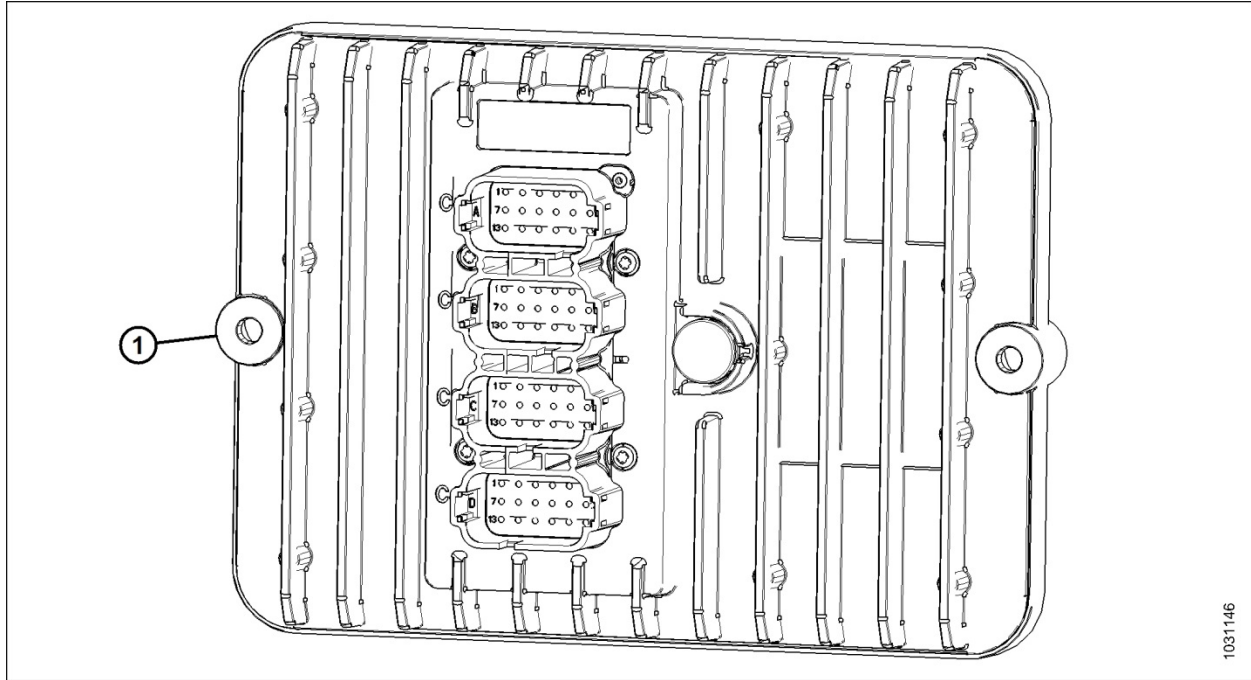
- Right and left are determined from the operator's position, facing forward with the windrower in cab-forward position.
- Unless otherwise noted, use the standard torque values provided in the windrower operator's manual and technical manual.

**NOTE:** Keep your MacDon publications up-to-date. The most current version of this instruction can be downloaded from our Dealer-only site (<https://portal.macdon.com>) (login required).

**M1 Series Windrower  
 MASTER CONTROLLER MODULE (MD #306320)  
 INSTALLATION INSTRUCTIONS**

**Parts List**

This kit includes the following parts:



1031146

Ref	Part Number	Description	Quantity
1	NSS <sup>1</sup>	MODULE – MASTER CONTROLLER	1
	NSS	SOFTWARE – MASTER MODULE <sup>2</sup>	1

<sup>1</sup> Not sold separately.

<sup>2</sup> The master controller module comes preprogrammed. The software is up-to-date at the time of packaging.

**M1 Series Windrower  
MASTER CONTROLLER MODULE (MD #306320)  
INSTALLATION INSTRUCTIONS**

**Installation Instructions**

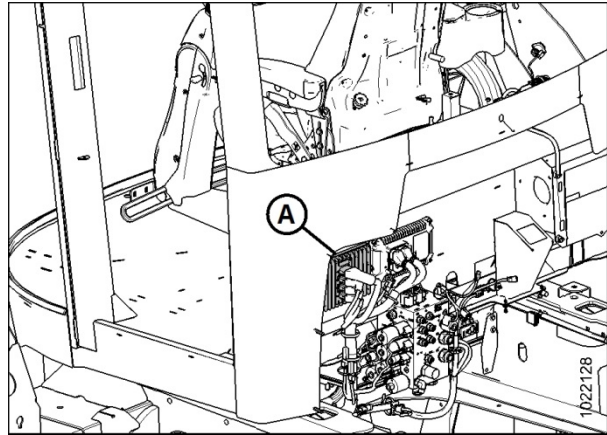
To install the Master Controller Module kit, follow these steps:



**WARNING**

To avoid bodily injury or death from unexpected start-up of machine, always stop engine and remove key from ignition before leaving operator's seat for any reason.

1. Shut down the engine, and remove the key from the ignition.
2. Open the hood. For instructions, refer to the windrower operator's manual or technical manual.
3. Open the battery cover, and disconnect the negative battery terminals. For instructions, refer to the windrower technical manual.
4. Locate the master controller module (A).

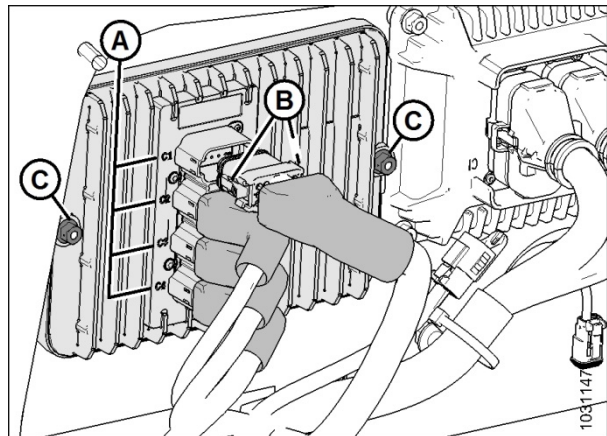


**Figure 1: Master Controller Location**

5. Disconnect four connectors (A) (P231, P232, P233, and P234) on the back of the master controller module as follows:
  - a) Pull back the connector cover, and press and hold both side latches (B).
  - b) Work the connector side-to-side while pulling away from the module receptacle.

**NOTE:** Pull the connector and **NOT** the harness.

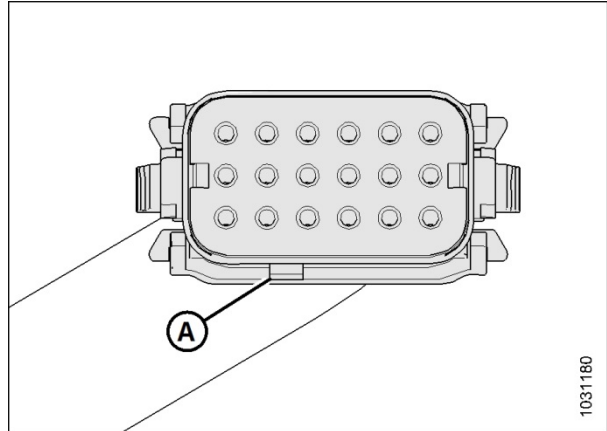
6. Remove hex head bolts and nuts (C), and remove master controller module.



**Figure 2: Connectors on Master Controller**

**M1 Series Windrower  
MASTER CONTROLLER MODULE (MD #306320)  
INSTALLATION INSTRUCTIONS**

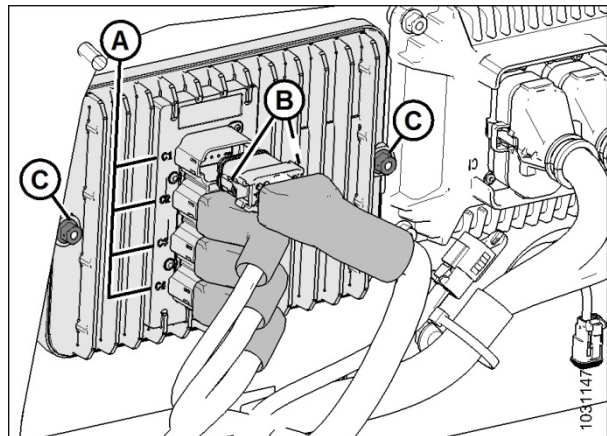
**Important:** Do **NOT** force connectors into the wrong receptacle. Each connector has a key (A) that fits a corresponding receptacle.



**Figure 3: Key Feature on Connector**

7. Install master controller module (provided in kit) on the module support using two bolts and two nuts (C). Torque bolts to 12 Nm (9 lbf-ft).
8. Follow the table below and reconnect the four harness connectors to the receptacles (A) on the master controller.

Harness Connector		Controller Receptacle
P231	⇒	C1
P232	⇒	C2
P233	⇒	C3
P234	⇒	C4



**Figure 4: Connectors on Master Controller**

9. Ensure both outer latches (B) are engaged on each of the connectors.
10. Slide the weather covering back onto each connector.
11. Reconnect the negative battery terminals, and close the battery cover. For instructions, refer to the windrower operator's manual or technical manual.
12. Close the hood. For instructions, refer to the windrower operator's manual or technical manual.

**Updating the Harvest Performance Tracker Software**

The new master controller module comes preprogrammed with the latest software available at the time of packaging; however, a new software version may be available when you read this instruction.

The latest software version can be downloaded from our Dealer-only site (<https://portal.macdon.com>) (login required). Refer to the windrower technical manual for software downloading and installation instructions.

**M1 Series Windrower  
MASTER CONTROLLER MODULE (MD #306320)  
INSTALLATION INSTRUCTIONS**

© 2019 MacDon Industries, Ltd.

The information in this publication is based on the information available and in effect at the time of printing. MacDon Industries, Ltd. makes no representation or warranty of any kind, whether expressed or implied, with respect to the information in this publication. MacDon Industries, Ltd. reserves the right to make changes at any time without notice.