

# D1 Series Draper Headers and FD1 Series FlexDraper® Headers FRONT FILLER RETAINER KIT (MD #301891) INSTALLATION INSTRUCTIONS

The Front Filler Retainer Kit (MD #301891) replaces worn or damaged retainer bars designed to hold down the center filler flap on MacDon FM100 Float Modules, and to help reduce loss when cutting crops like beans and peas.

**NOTE:** The three-piece Front Filler Retainer Kit (MD #301891) supersedes one-piece front filler retainer bars from 2017 and earlier.

A list of parts included in the kit is provided.

**NOTE:** Keep your MacDon publications up-to-date. The most current version of this instruction can be downloaded from our Dealer-only site (<https://portal.macdon.com>) (login required).

This instruction is available in English.

## Installation Time

This kit will take approximately 10 minutes to install.

## Conventions

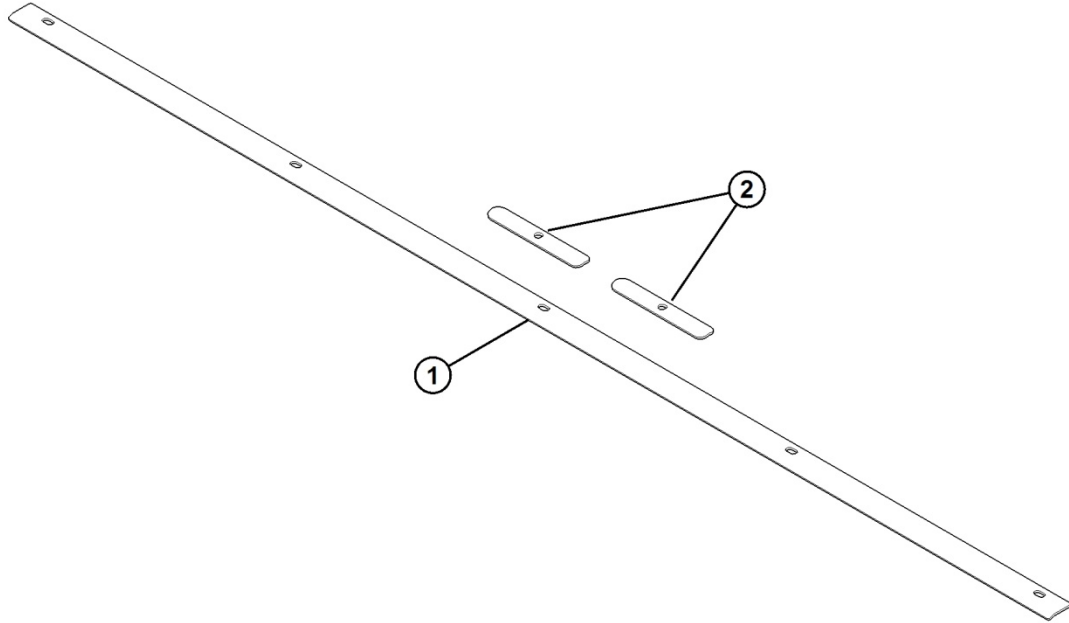
The following conventions are used in this document:

- Right and left are determined from the operator's position. The front of the header is the side that faces the crop; the back of the header is the side that connects to the combine.
- Unless otherwise noted, use the standard torque values provided in the header operator's manual and technical manual.

**D1 Series Draper Headers and FD1 Series FlexDraper® Headers  
FRONT FILLER RETAINER KIT (MD #301891)  
INSTALLATION INSTRUCTIONS**

**Parts List**

This kit includes the following parts:



Ref	Part Number	Description	Qty
1	301126	RETAINER – CENTER FILLER	1
2	301127	PLATE – FILLER RETAINER	2

**D1 Series Draper Headers and FD1 Series FlexDraper® Headers  
FRONT FILLER RETAINER KIT (MD #301891)  
INSTALLATION INSTRUCTIONS**

**Installation Instructions**

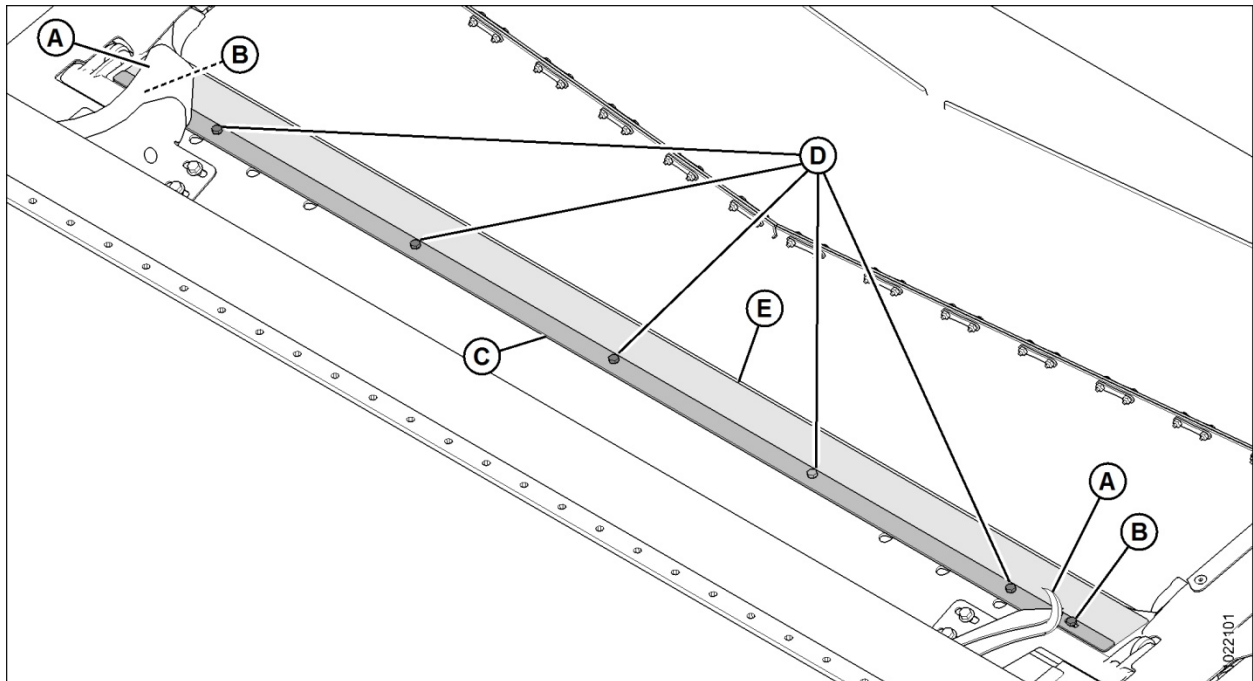
To install the Front Filler Retainer Kit, follow these steps:



**DANGER**

**To avoid bodily injury or death from unexpected start-up or fall of raised machine, always stop engine, remove key, and engage safety props before going under header for any reason.**

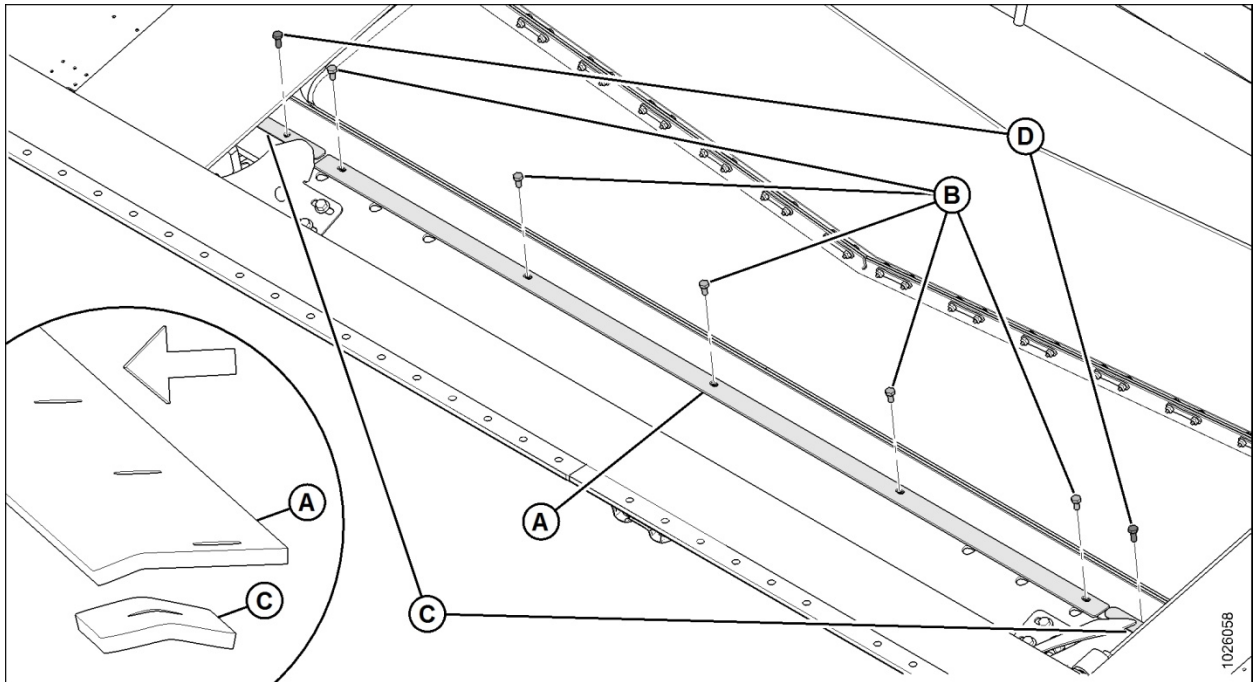
1. Raise the reel fully to access the cutterbar, and lower the header to the ground. Shut down the engine and remove the key. Refer to your combine operator's manual for instructions.
2. Engage reel arm safety props.
3. Lift the corner filler flaps (A) out of the way to access the outboard bolts (B), and use a 13 mm socket to remove the 20 mm long M8 hex head bolts (B) from the outboard ends of the center filler retainer bar (C). Retain bolts for reuse.
4. Remove five 16 mm long M8 hex head bolts (D) from the center filler retainer bar (C) and remove it. Leave the existing center filler flap (E) in place. Retain bolts for reuse.



**Figure 1: Removing the Existing Front Filler Retainer from the FM100 (One Piece Version Shown)**

**D1 Series Draper Headers and FD1 Series FlexDraper® Headers  
FRONT FILLER RETAINER KIT (MD #301891)  
INSTALLATION INSTRUCTIONS**

5. Position new retainer bar (A) (MD #301126) onto the existing center filler flap with bend facing crop (see inset). Secure retainer bar (A) with five 16 mm long M8 hex head bolts (B) retained from Step 4.
6. Position two small retaining plates (C) (MD #301127) at either end of center retaining bar (A) with bend facing up (see inset). Secure plates with two 20 mm long M8 hex head bolts (D) retained from Step 3.
7. Torque all seven bolts (B) and (D) to 29 Nm (21 lbf·ft).



**Figure 2: Installing Three Piece Front Filler Retainer**