

M155 and M205 Self-Propelled Windrower CAB SUSPENSION REAR BUMPERS (MD #167513) INSTALLATION INSTRUCTIONS

Rear bumpers are used to prevent window seal contact with the rear hood. This document explains how to install the bumpers. A list of parts included in the kit is provided at the end of this document.

NOTE: Keep your MacDon publications up-to-date. The most current version of this instruction can be downloaded from our Dealer-only site (<https://portal.macdon.com>) (login required).

Installation Time

Installation of this kit takes approximately 10–15 minutes.

Conventions

The following conventions are followed in this document:

- Right-hand (RH) and left-hand (LH) are determined from the operator's position, facing forward with the windrower in cab-forward position.
- Unless otherwise noted, use the standard torque values provided in the windrower operator's manual and technical manual.

Installation Instructions

To install the Cab Suspension Rear Bumpers kit, follow these steps:

1. Connect rubber bumpers (MD #167511) (A) and platform bumpers (MD #167509) (B) with flange nuts (MD #30228) (C). All parts are provided in kit. Torque nuts to 22–24 ft·lbf (30–33 N·m).

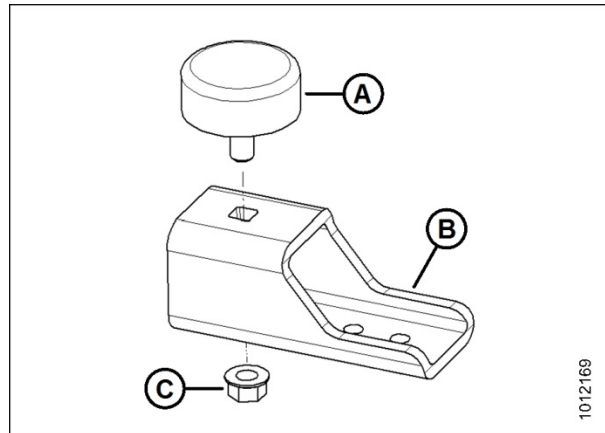


Figure 1: Bumper Subassembly

M155 and M205 Self-Propelled Windrower CAB SUSPENSION REAR BUMPERS (MD #167513) INSTALLATION INSTRUCTIONS

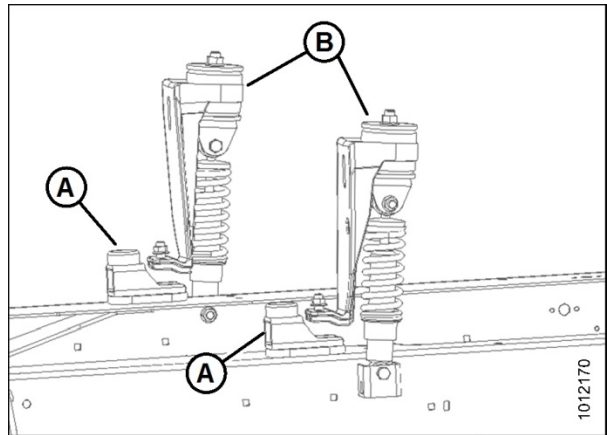
NOTE: Follow Steps 2–7 on one side of the windrower cab, and then repeat on the other side.

2. Lift one side of the cab with a 3–4 foot long (91–122 cm) 2 x 4, and then insert two blocks, each at least 3 in. (76 mm) thick, under the side of the cab to hold it up as shown at right. This will provide space to work.

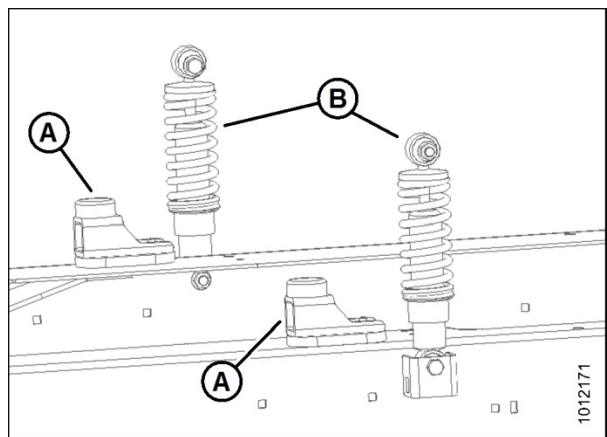


Figure 2: Lifting Cab

3. Position bumper subassembly (A) on the frame in front of the rear shock mount (B).



**Figure 3: Bumper Subassemblies on M155 Frame
(Cab Hidden for Clarity)**



**Figure 4: Bumper Subassemblies on M205 Frame
(Cab Hidden for Clarity)**

M155 and M205 Self-Propelled Windrower CAB SUSPENSION REAR BUMPERS (MD #167513) INSTALLATION INSTRUCTIONS

4. Install two bolts (MD #21479) (A) into support (MD #167510) (B). The bolts and support are provided in the kit.

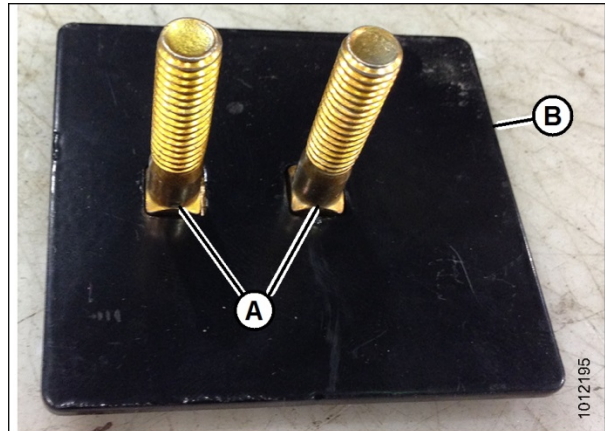


Figure 5: Bumper Support and Bolts

5. Position the support under the frame, below the bumper subassembly. The bolts go through a large hole in the frame and into the bumper subassembly. The edge of the support should fit up against the frame's gusset (C), as shown at right, to prevent rotation.

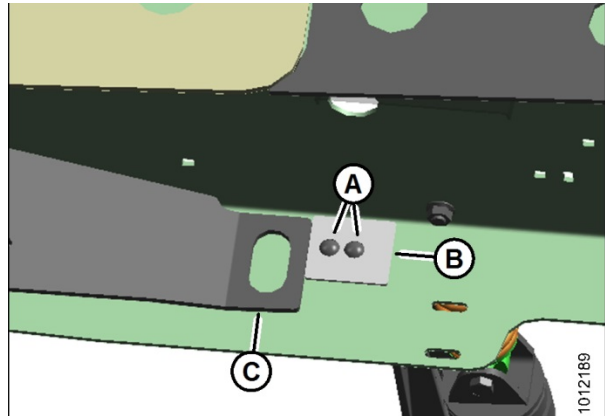


Figure 6: Underside of LH Frame

6. Connect the full bumper assembly (A) to the frame with two lock nuts (MD #30280) (B), provided in kit. Torque to 12–14 ft·lbf or 149–164 in·lbf (16–19 N·m).

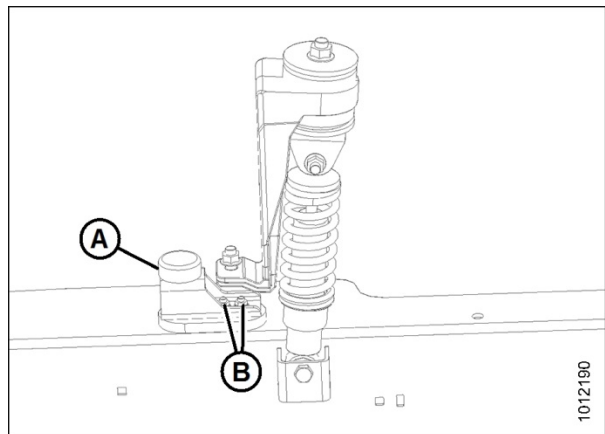


Figure 7: LH Bumper Assembly Installed on an M155

**M155 and M205 Self-Propelled Windrower
CAB SUSPENSION REAR BUMPERS (MD #167513)
INSTALLATION INSTRUCTIONS**

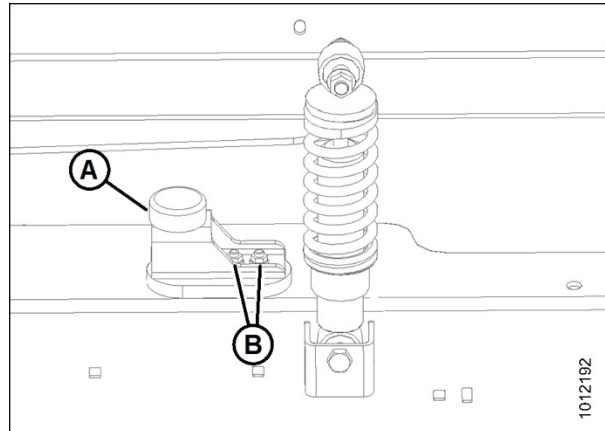


Figure 8: LH Bumper Assembly Installed on an M205

7. Remove blocks holding up cab.
8. Open hood.
For instructions, see the windrower operator's manual or technical manual.
9. Check to see if the cab is centered. Assess the clearance between the rear shock mounts (A) and the fuel tank (B). Both clearances should be within 10 mm of each other.

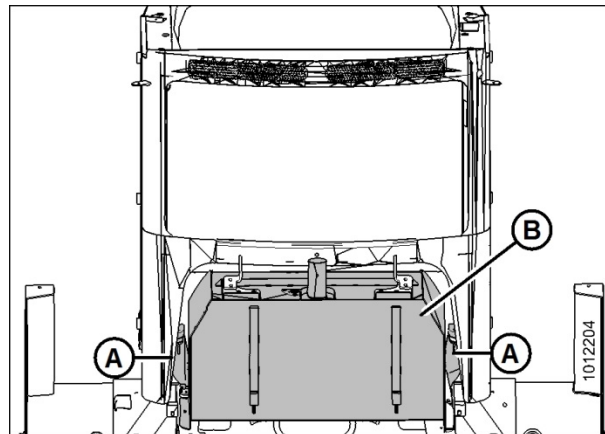


Figure 9: Rear View of Windrower Frame, Cab, and Fuel Tank (Other Parts Removed for Clarity)

10. If the cab needs to be adjusted, move the brackets that hold the lateral link (A) under the cab as follows:



Figure 10: Front View of Cab with Lateral Link Below

**M155 and M205 Self-Propelled Windrower
CAB SUSPENSION REAR BUMPERS (MD #167513)
INSTALLATION INSTRUCTIONS**

- a. Loosen bolts (A) on the bracket (B) attached to the windrower frame and slide the bracket in the direction needed (C moves cab left, D moves cab right).
- b. Torque bolts (A) to 54–59 ft·lbf (73–80 N·m).

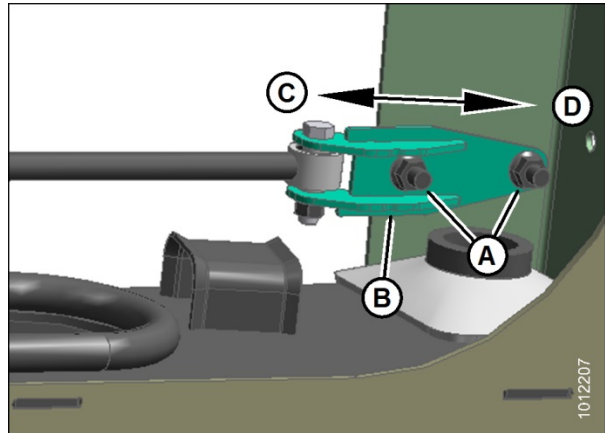


Figure 11: Lateral Link Bracket Attached to Windrower Frame

- c. If more adjustment is needed, the center bracket (A) can be adjusted as well. Loosen the bolts (B) on the bracket and slide the bracket in the direction needed.
- d. Torque bolts (B) to 54–59 ft·lbf (73–80 N·m).

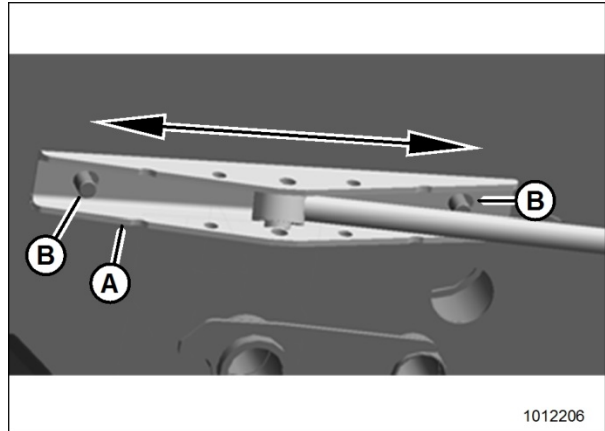


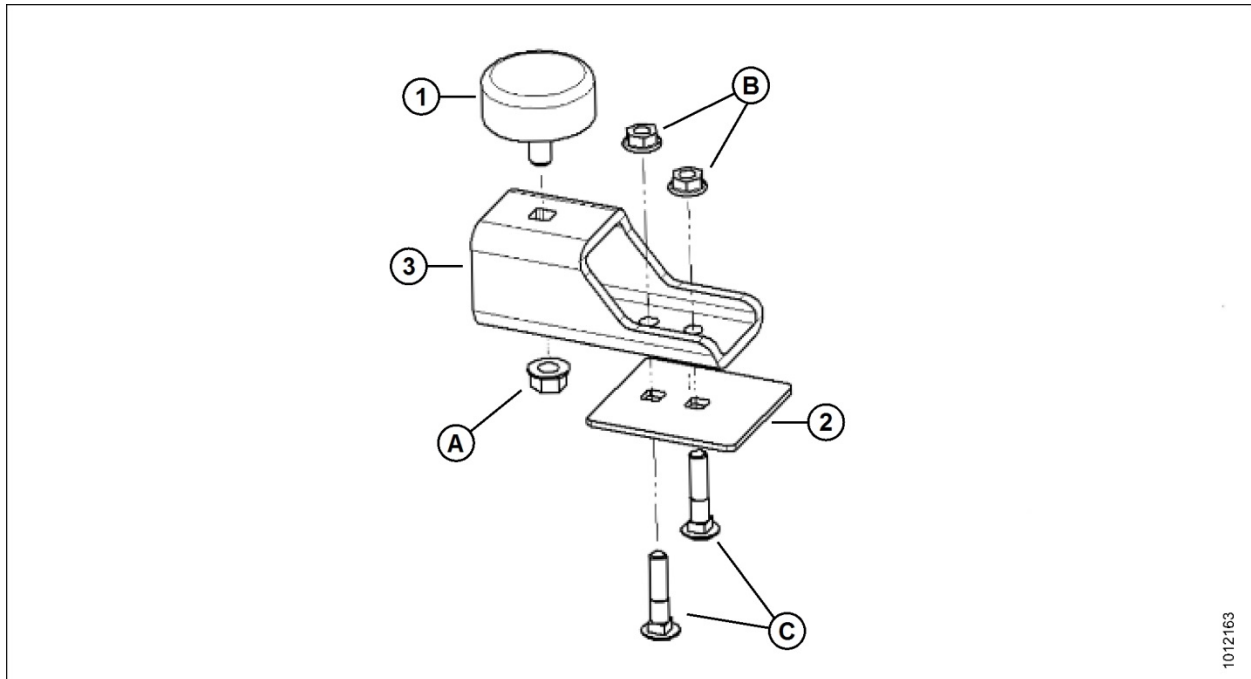
Figure 12: Center Bracket on Underside of Cab

11. Check again to see if the cab is centered. If not, repeat Steps 9–10 until it is.
12. Close hood.

**M155 and M205 Self-Propelled Windrower
CAB SUSPENSION REAR BUMPERS (MD #167513)
INSTALLATION INSTRUCTIONS**

Part List

This kit includes the following parts:



1012163

Ref	Part Number	Description	Qty
1	167511	BUMPER – RUBBER	2
2	167510	SUPPORT – REAR BUMPER CONSTRAINT	2
3	167509	BUMPER – PLATFORM REAR CAB	2
A	30228	NUT – FLANGE DT SMOOTH FACE 0.375-16UNC	2
B	30280	NUT – FLG SIDE LK SMTH FACE 5/16 NC GR 5 ZP	4
C	21479	BOLT – RHSN 5/16 NC X 1.5 LG GR 5 ZP	4