

M100 Self-Propelled Windrower KNIFE DRIVE VALVE ADAPTER PLATE KIT (MD #183098) INSTALLATION INSTRUCTIONS

This instruction explains how to install the Valve Block Adapter Plate kit (MD #183098) on MacDon M100 Self-Propelled Windrowers.

Some M100 Self-Propelled Windrowers manufactured in between 2008 and 2009 had knife drive pumps that featured flat surfaces allowing the knife drive manifolds to sit flush on top of the pump. Manufacturing changes to replacement pumps caused interference with original knife drive manifolds, preventing a flush fit.

When this scenario occurs during a knife drive pump replacement, install the Knife Drive Valve Adapter Plate kit to allow mating of the older knife drive manifold.

A list of parts included in the kit is provided.

NOTE: Keep your MacDon publications up-to-date. The most current version of this instruction can be downloaded from our Dealer-only site (<https://portal.macdon.com>) (login required).

NOTE: This document is available in English only.

Installation Time

Installation of this kit will take approximately 1 hour.

Conventions

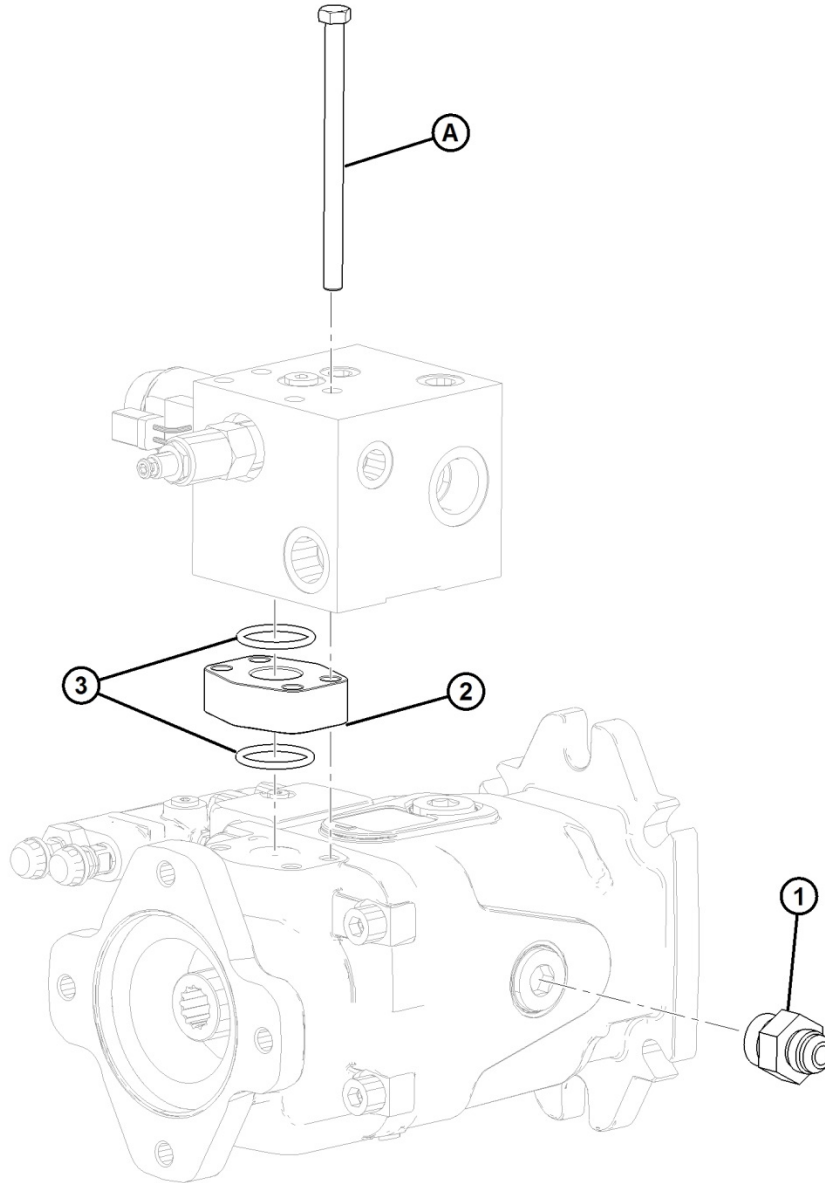
The following conventions are followed in this document:

- Right and left are determined from the operator's position, facing forward with the windrower in cab-forward position.
- Unless otherwise noted, use the standard torque values provided in the windrower operator's manual and technical manual.

**M100 Self-Propelled Windrower
KNIFE DRIVE VALVE ADAPTER PLATE KIT (MD #183098)
INSTALLATION INSTRUCTIONS**

Part List

This kit includes the following parts:



1018116

**M100 Self-Propelled Windrower
KNIFE DRIVE VALVE ADAPTER PLATE KIT (MD #183098)
INSTALLATION INSTRUCTIONS**

Ref	Part Number	Description	Quantity
1	135364	FITTING – ADAPTER HYD	1
2	NSS ¹	1 IN. CODE 61 SPACER	1
3	112868	O-RING – 1.296 IN. ID X 0.139 IN. WALL	2
A	10948	BOLT – HEX HD 3/8 NC X 5.5 LGT GR 5 ZP	4

¹ Not sold separately.

M100 Self-Propelled Windrower KNIFE DRIVE VALVE ADAPTER PLATE KIT (MD #183098) INSTALLATION INSTRUCTIONS

Installation Instructions

After the installation of a replacement knife drive pump, if the knife drive manifold does not sit flush on the pump, install the Knife Drive Valve Adapter Plate kit, following these steps:

1. Clean knife drive pump and valve mating surfaces. Check that O-ring mating surfaces are free of damage.
2. Install O-ring (A) (MD #112868) provided with the kit.

NOTE: Use petroleum jelly to hold O-ring in place.

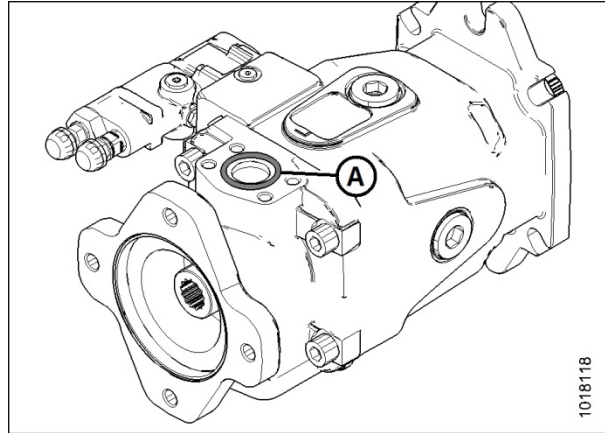


Figure 1: Knife Drive Pump

3. Install O-ring (A) (MD #112868) on spacer (B).

NOTE: Use petroleum jelly to hold O-ring in place.

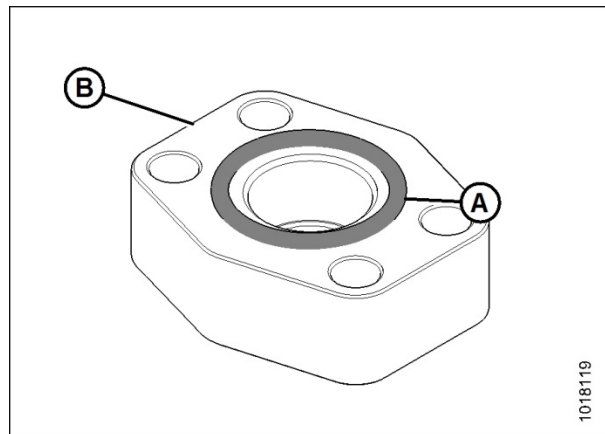


Figure 2: O-ring on Spacer

4. Place spacer (A) on knife drive pump.

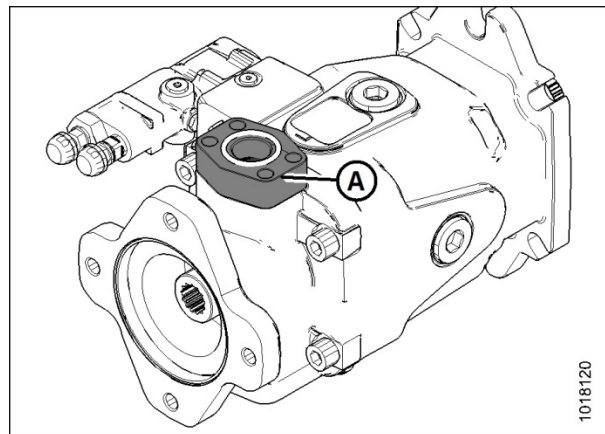


Figure 3: Spacer on Knife Drive Pump

**M100 Self-Propelled Windrower
KNIFE DRIVE VALVE ADAPTER PLATE KIT (MD #183098)
INSTALLATION INSTRUCTIONS**

- Place knife drive valve manifold (A) on spacer (B) and align bolt holes. Attach using four 3/8 x 5.5 in. bolts (C) provided with kit.

NOTE: Torque bolts to 37–50 Nm (27–37 lbf·ft).

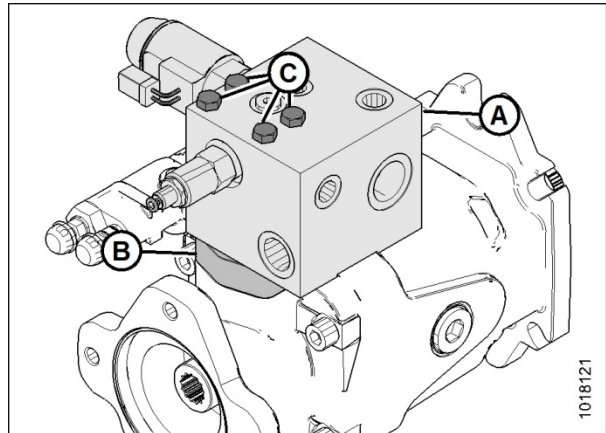


Figure 4: Knife Drive Manifold on Spacer

- Install fitting (A) (MD #135364) into port CD on the right side of the knife drive pump.

NOTE: Torque fitting to 94–107 Nm (69–79 lbf·ft).

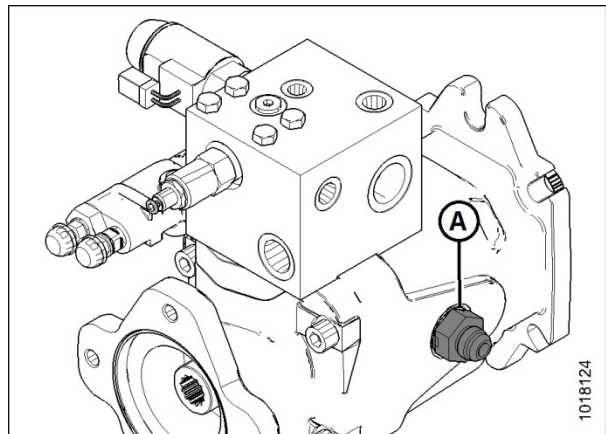


Figure 5: Fitting on Knife Drive Pump